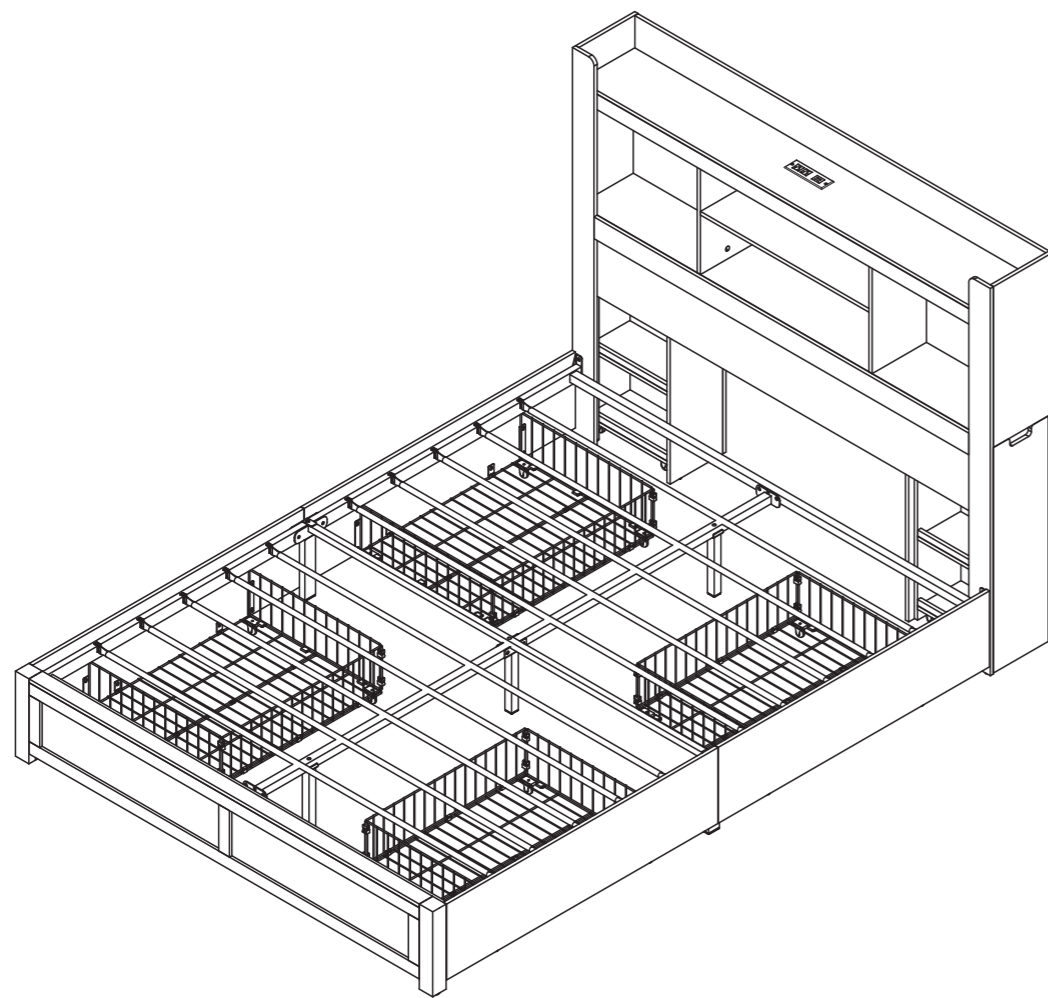


Storage Platform Bed Assembly Instructions



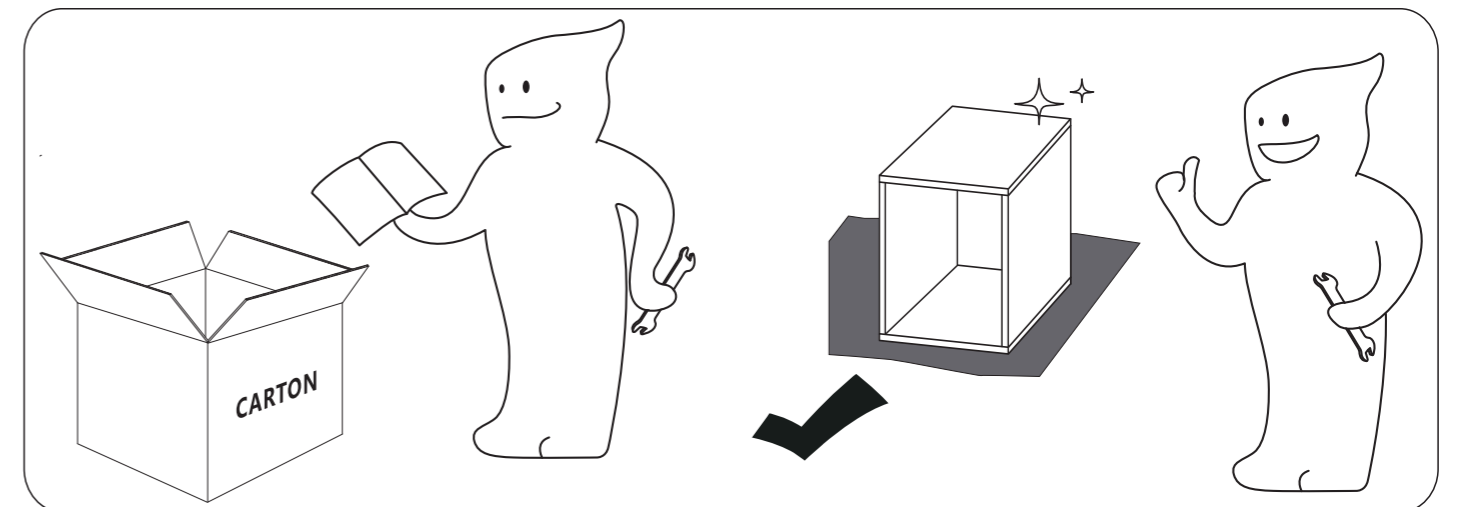
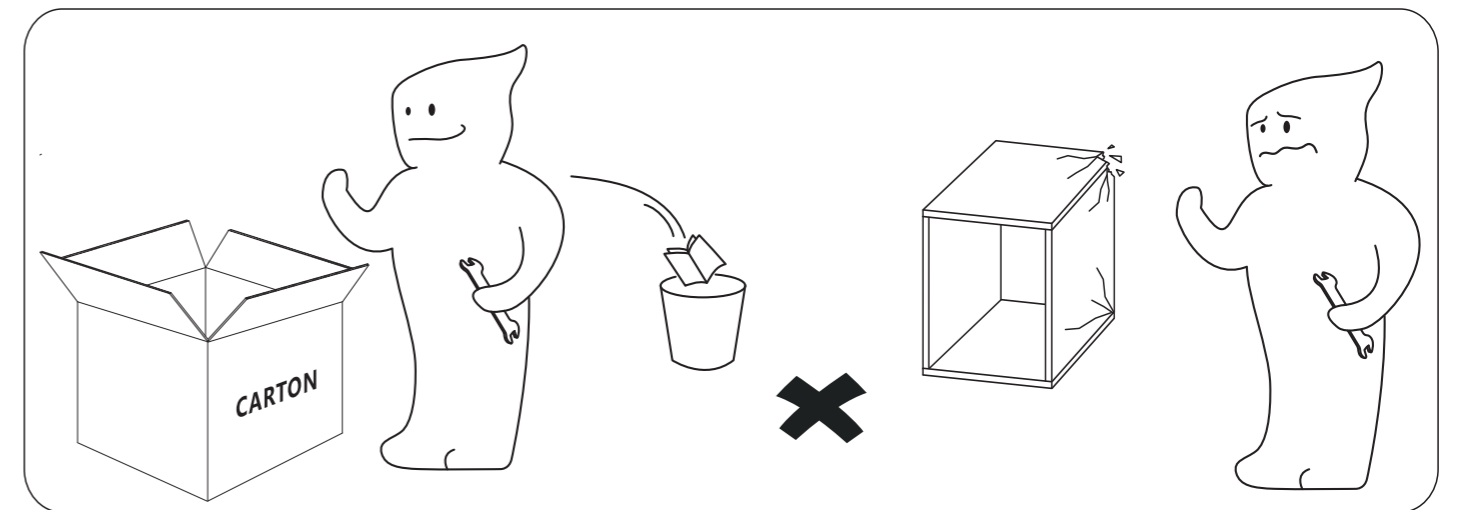
Dear Customers,

Thank you for purchasing our product. Please read this instruction manual carefully after receiving this product. It will help you assemble this product quickly, safely and correctly. You can keep this manual for future reference.

MADE IN CHINA



Please follow the instruction manuals and use a pad to protect the product during your assembly.



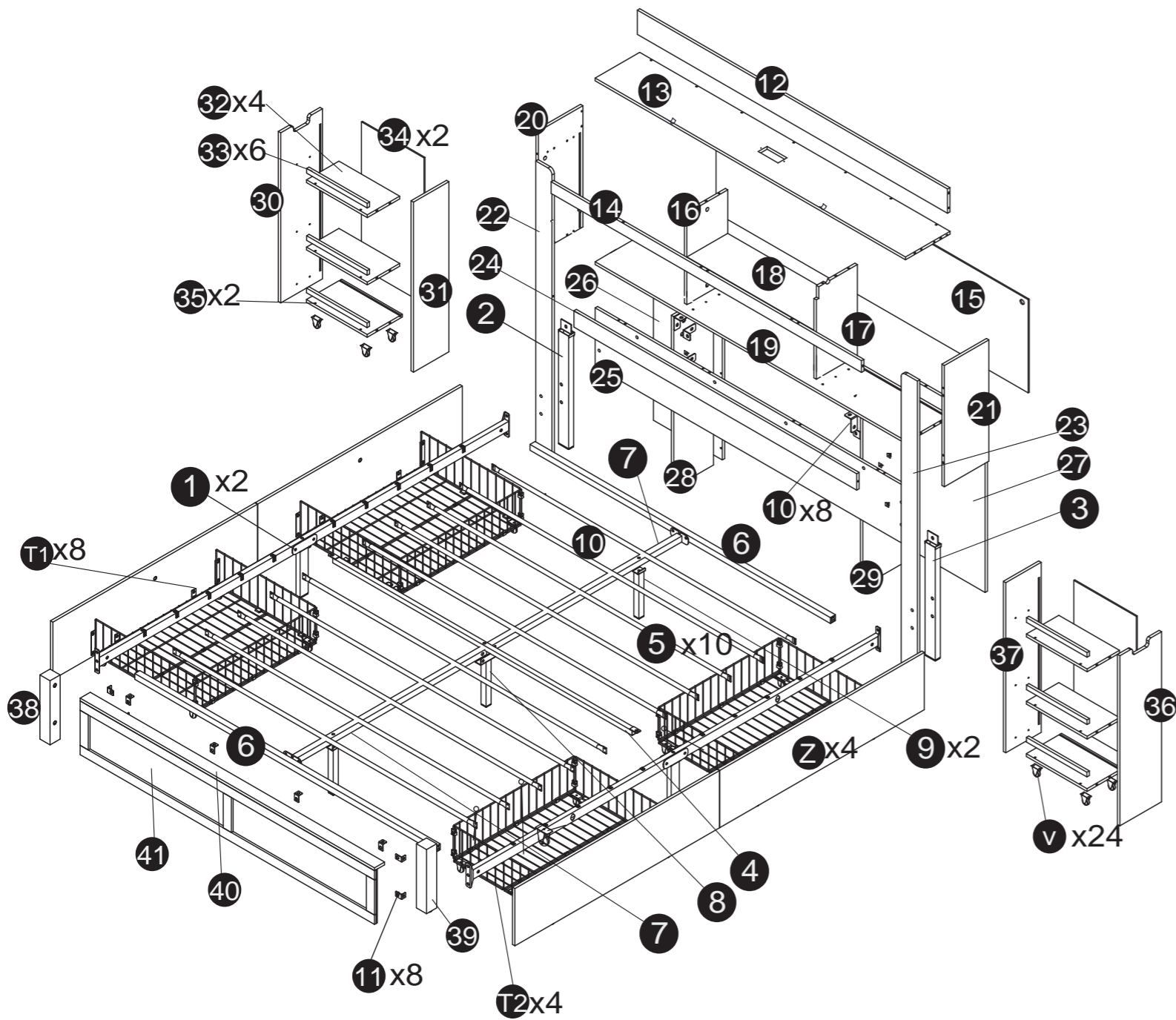
Note:

- 1. Should be assembled on flat ground to keep balance.
- 2. Before completing the installation, do not tighten the screws.



For easier and better assembly, 2 or more adults are required.

ASSEMBLY INSTRUCTIONS



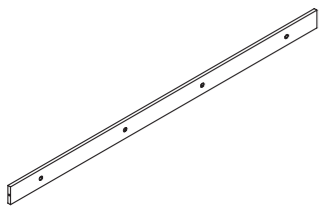
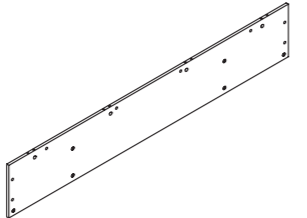
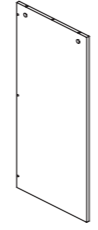
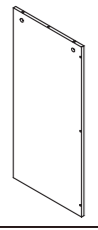
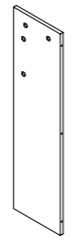



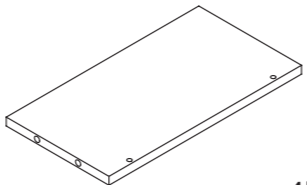
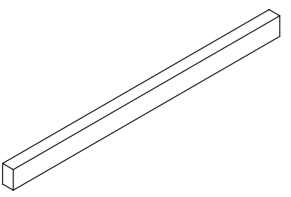

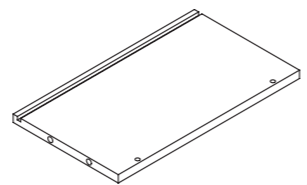


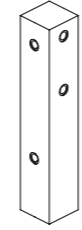
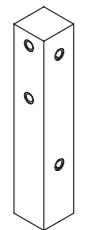
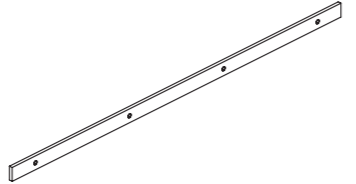
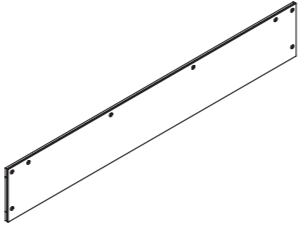
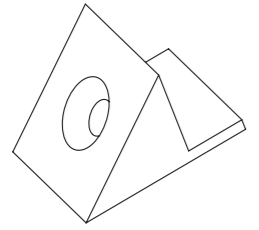

ASSEMBLY INSTRUCTIONS

The box 1

1 2PCS	2 Nut 1PC	3 Nut 1PC
4 1PC	5 10PCS	6 2PCS
7 2PCS	10 8PCS	11 8PCS
12 1PC	13 1PC	14 1PC
15 1PC	16 1PC	17 1PC
18 1PC	19 1PC	20 1PC
21 1PC	22 1PC	23 1PC






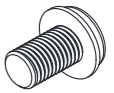
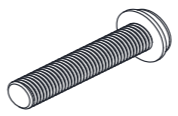
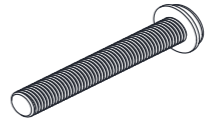
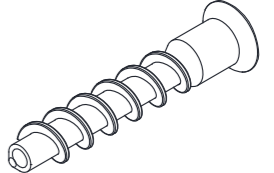
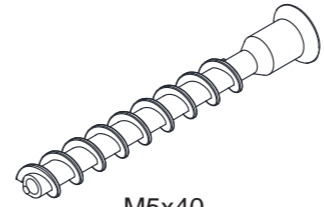
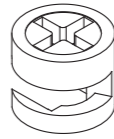
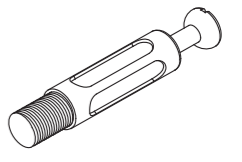
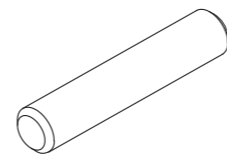
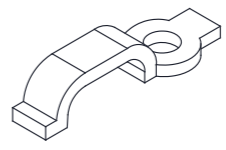

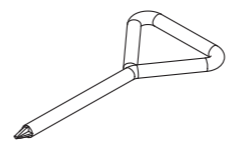
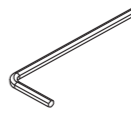
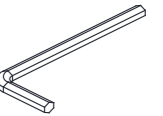
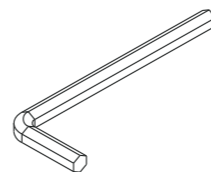
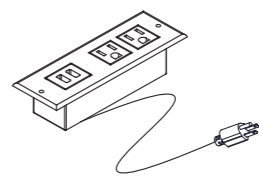
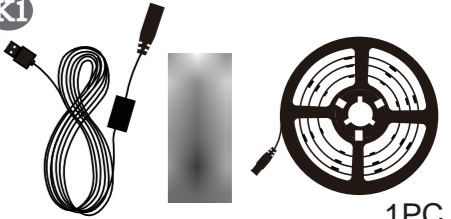
ASSEMBLY INSTRUCTIONS

The box 1 continued

24  1PC	25  1PC	26  1PC
27  1PC	28  1PC	29  1PC
30  1PC	31  1PC	32  4PCS
33  6PCS	34  2PCS	35  2PCS
36  1PC	37  1PC	38  1PC
39  1PC	40  1PC	41  1PC
42  22PCS	V  24PCS	

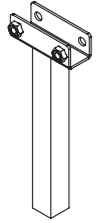

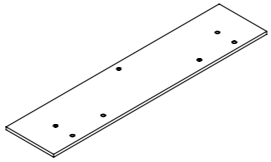
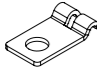

ASSEMBLY INSTRUCTIONS

The box 1 continued

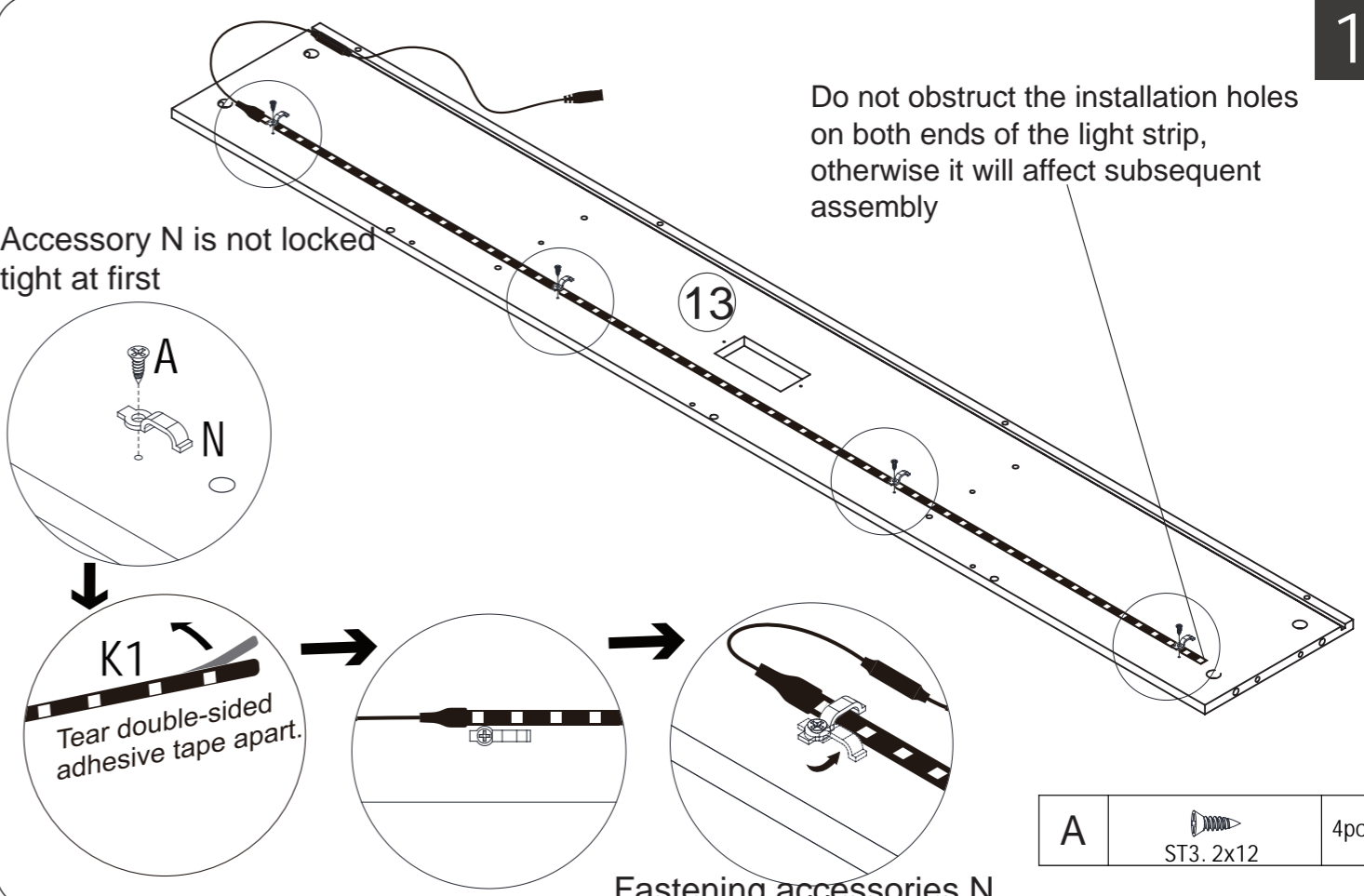
A  ST3.2x12 26PCS	B  ST4.2x12 18PCS	C  M8x12 54PCS
D  M8x14 Colored Zinc 4PCS	E  M8x18 12PCS	F  M8x20 Colored Zinc 8PCS
G  M8x40 12PCS	H  M8x55 3PCS	I  M5x25 12PCS
J  M5x40 10PCS	K  φ15x9.5 57PCS	L  φ7x40 57PCS
M  φ6x40 40PCS	N  4PCS	O  M4x10 16PCS
P  1PC	Q  M4 1PC	R  M5 1PC
S  M8 1PC	U  1PC	K1  1PC

ASSEMBLY INSTRUCTIONS

The box 2

<p>8</p>  <p>1PC</p>	<p>9</p>  <p>2PCS</p>	<p>Z</p>  <p>4PCS</p>
<p>T1</p>  <p>8PCS</p>	<p>T2</p>  <p>4PCS</p>	

1




Do not obstruct the installation holes on both ends of the light strip, otherwise it will affect subsequent assembly

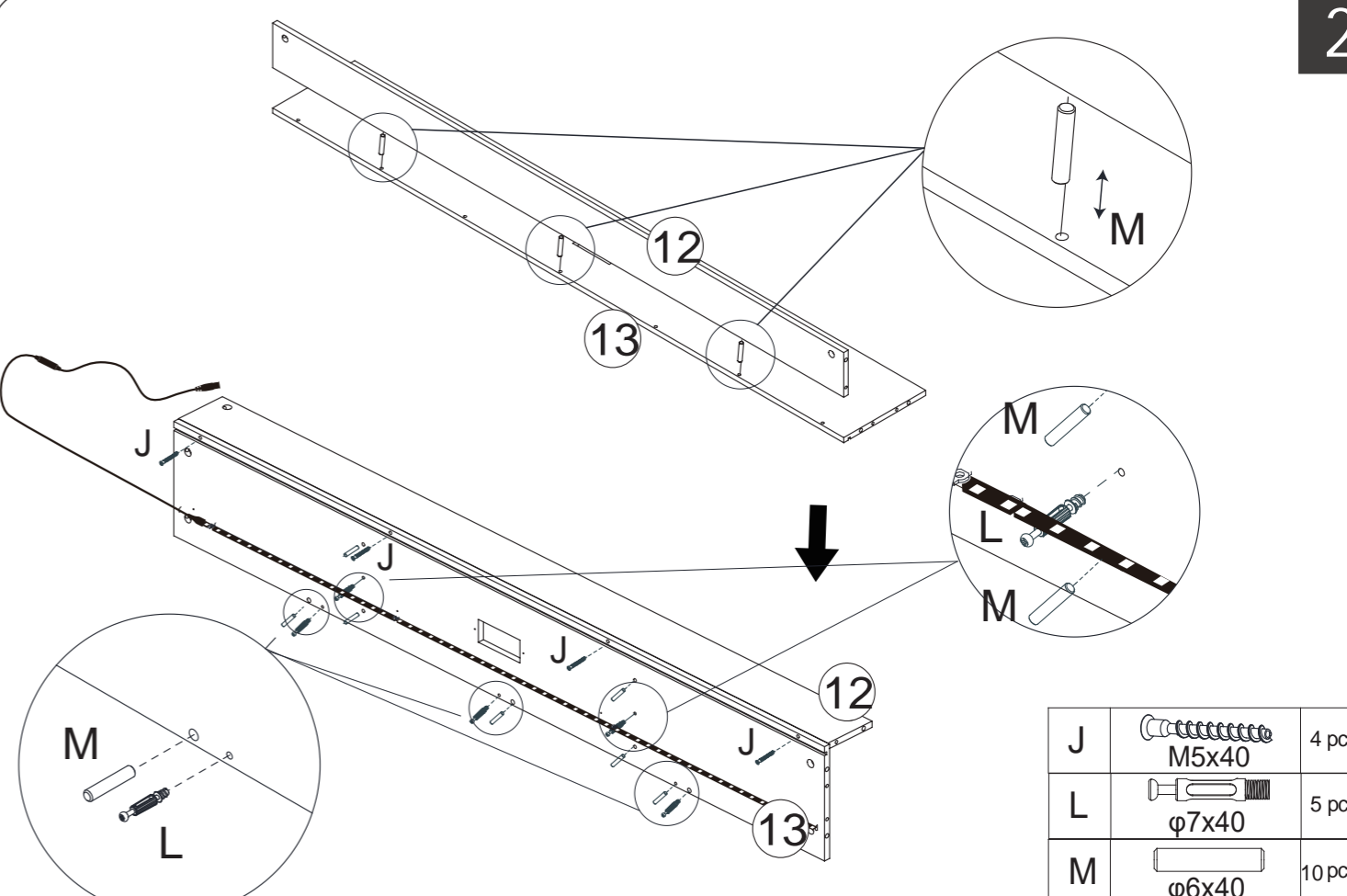
Accessory N is not locked tight at first


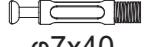
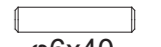
K1
Tear double-sided adhesive tape apart.

Fastening accessories N

A		4pcs
	ST3. 2x12	

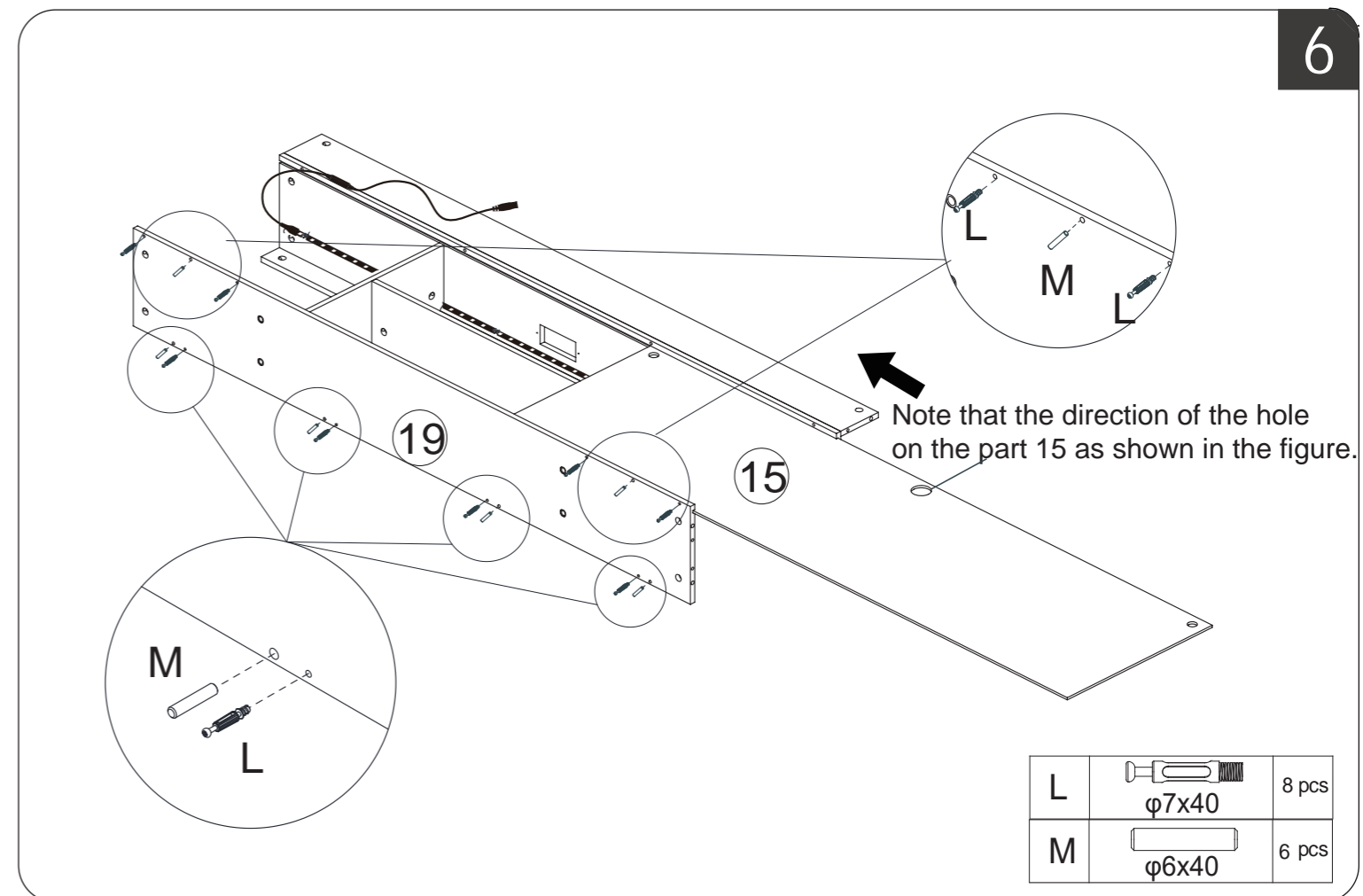
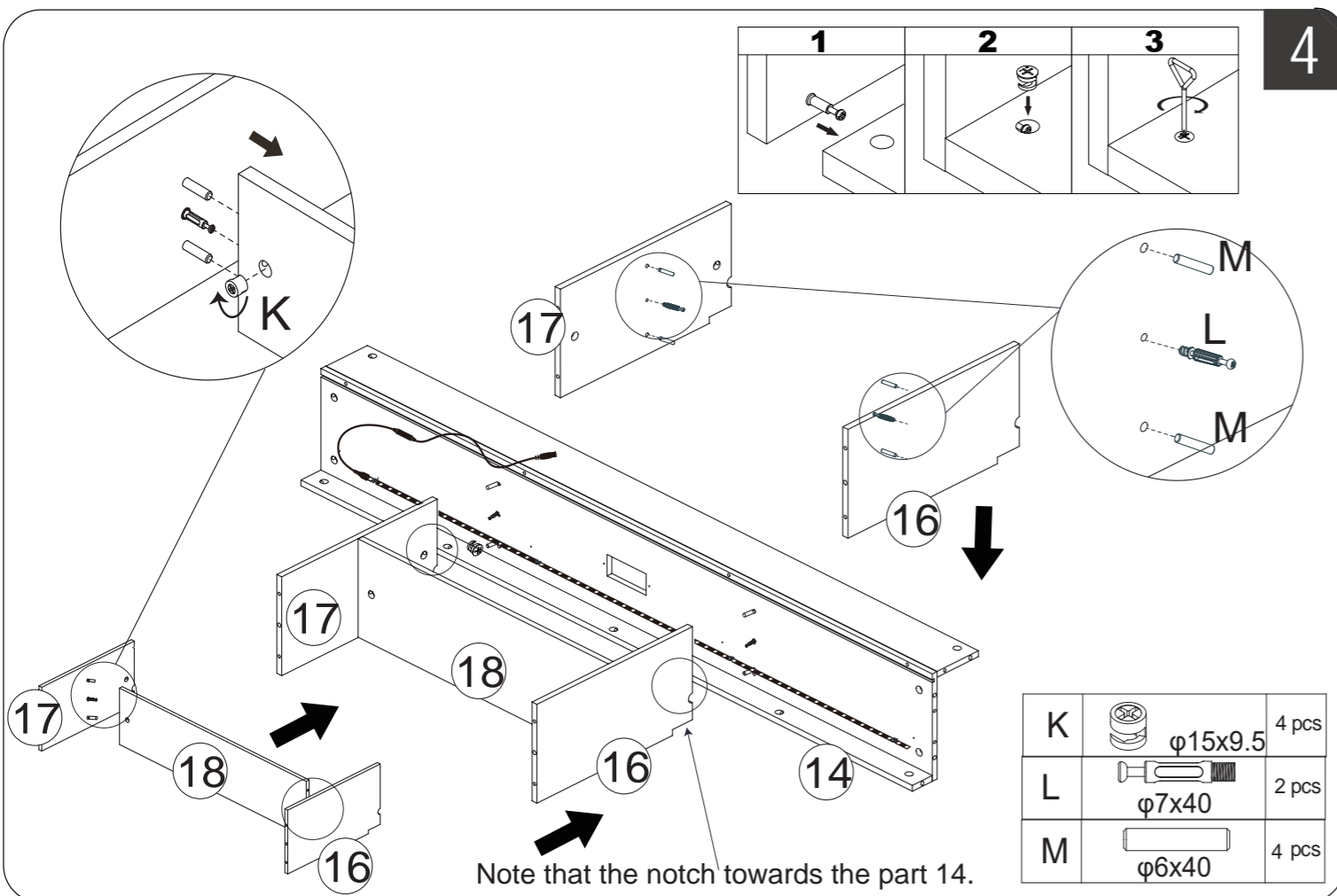
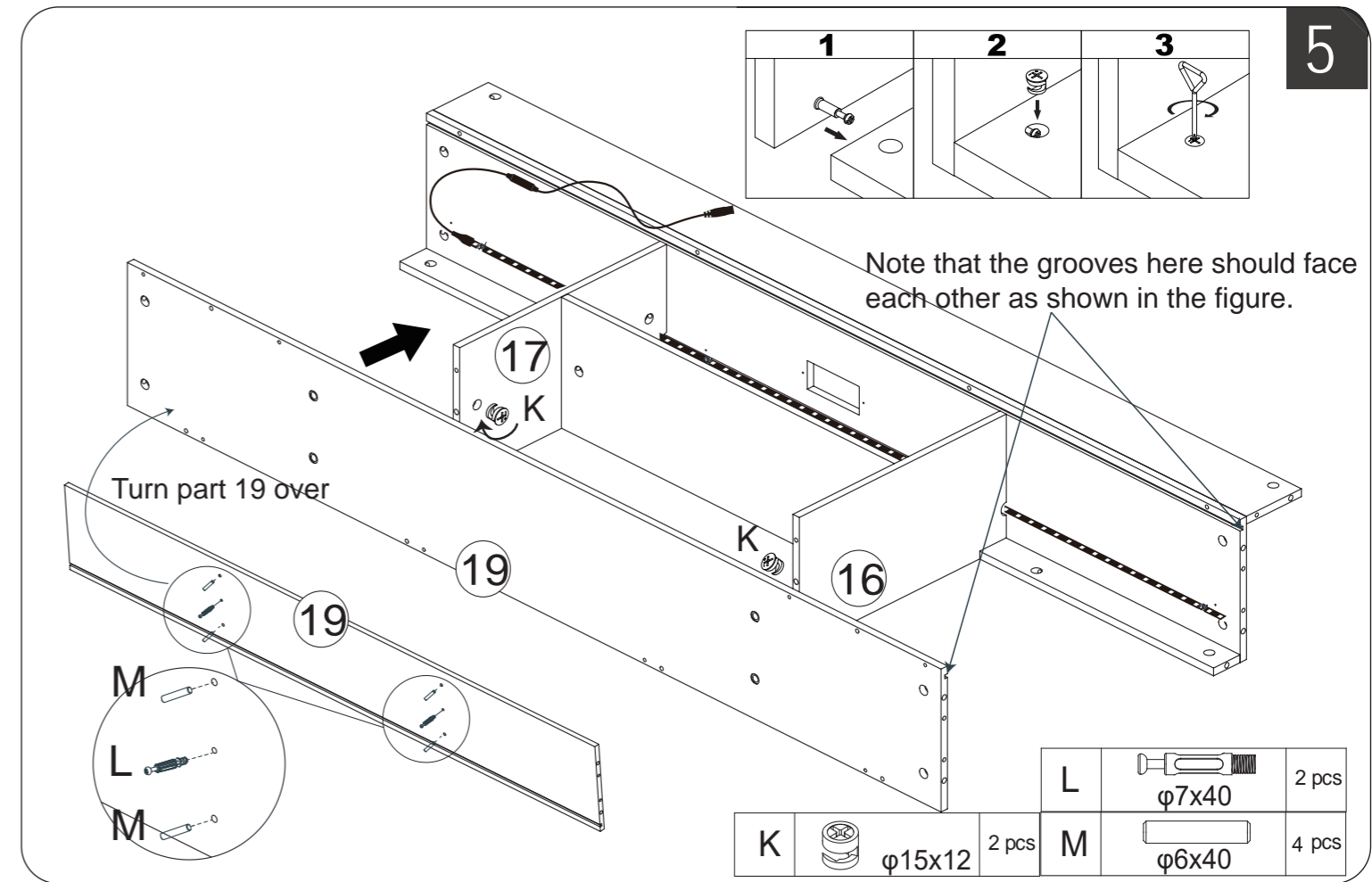
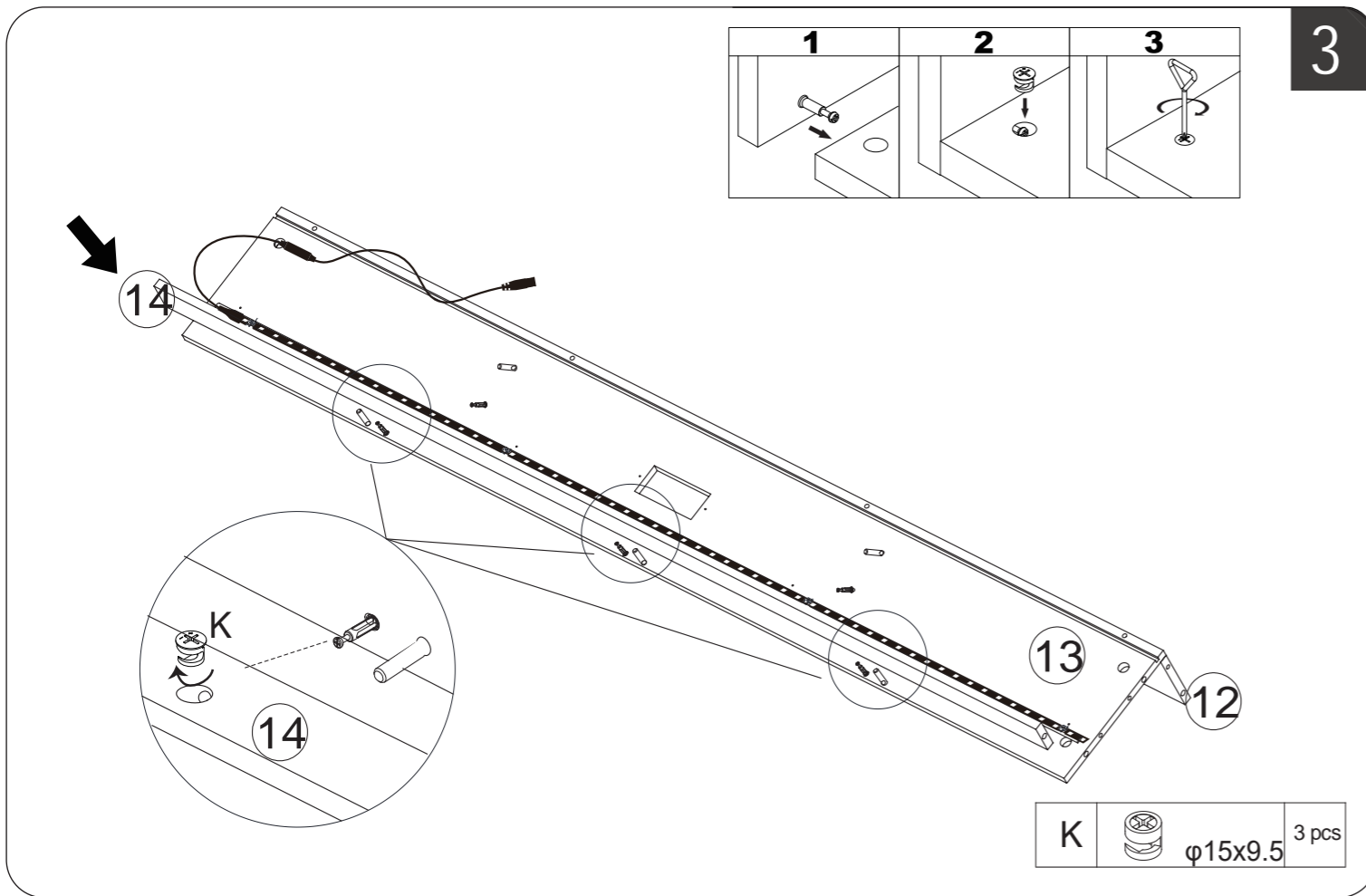
2



J		4 pcs
L		5 pcs
M		10 pcs

Please make sure to check that all screws are tightened after completing the entire installation.

ASSEMBLY INSTRUCTIONS



ASSEMBLY INSTRUCTIONS

7

K		φ15x9.5	4 pcs
L		φ7x40	16 pcs
M		φ6x40	16 pcs

ASSEMBLY INSTRUCTIONS

9

Please screw the screws F into the correct hole.

K		φ15x12	4 pcs	F		M8x20	8PCS
---	--	--------	-------	---	--	-------	------

Colored Zinc

8

Note: There are holes in the part 13 and part 14 for fitting the part K.

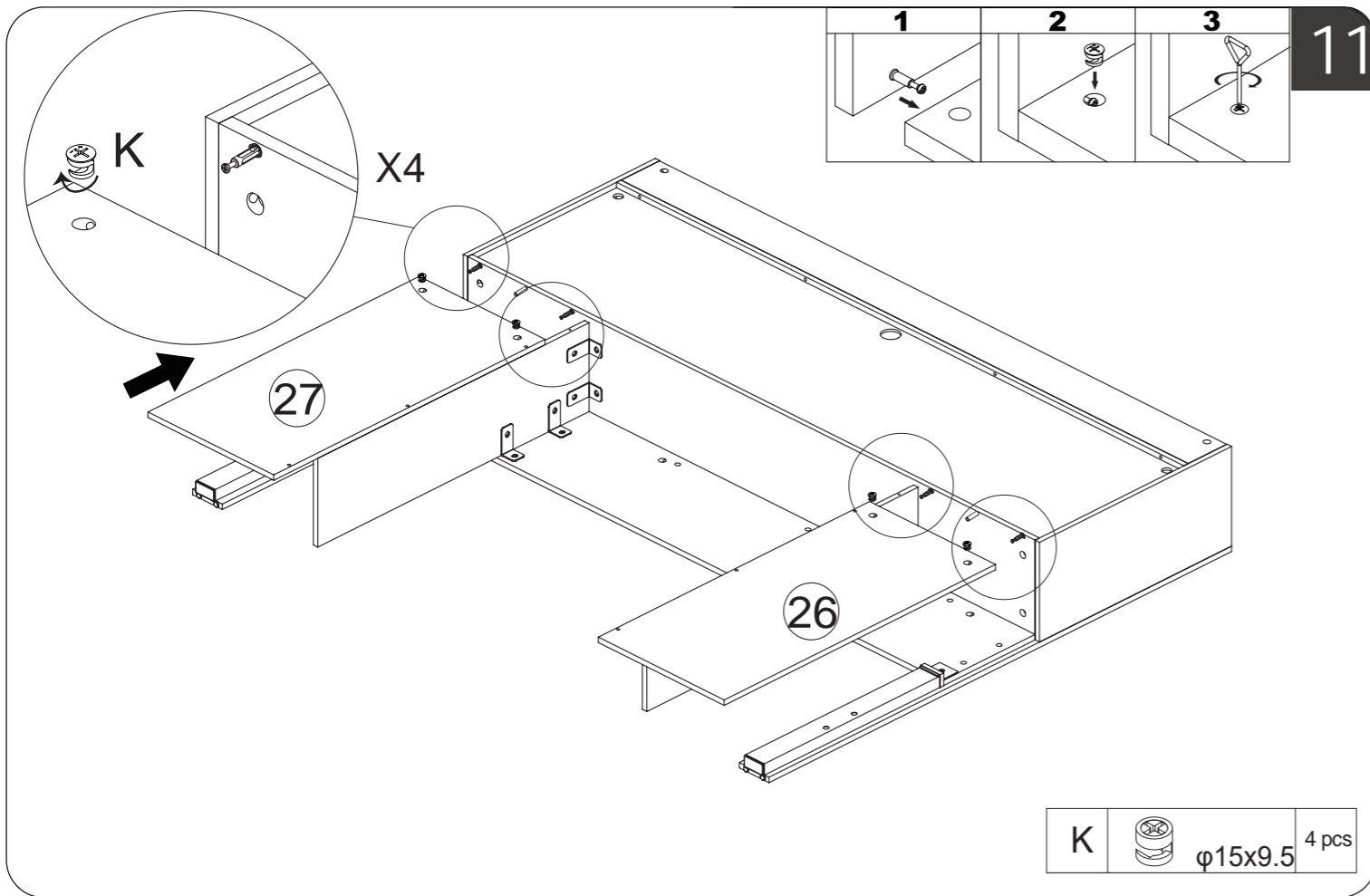
K		φ15x9.5	12 pcs
---	--	---------	--------

10

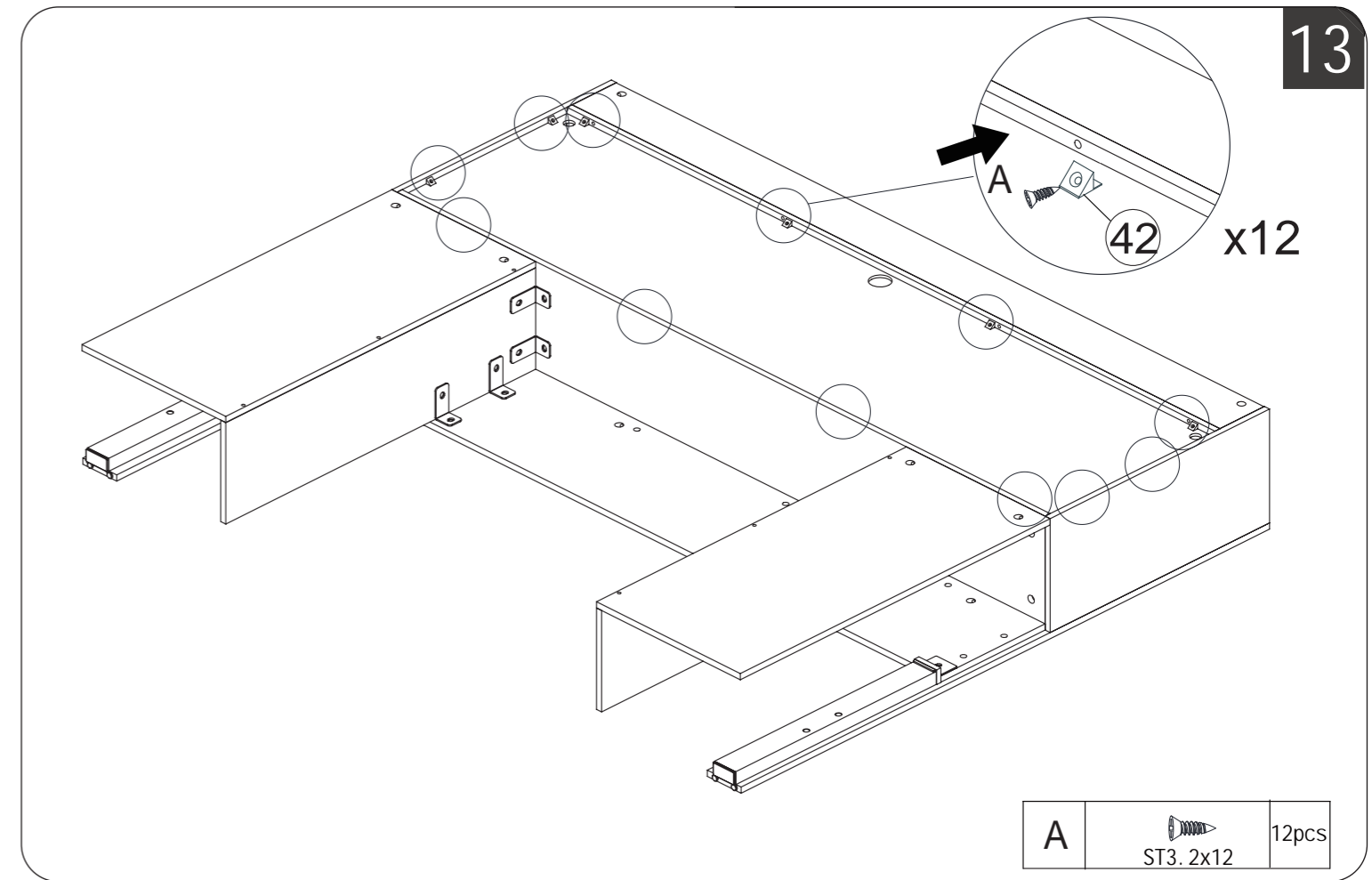
Note: Do not tighten the screws

C		M8x12	18PCS
---	--	-------	-------

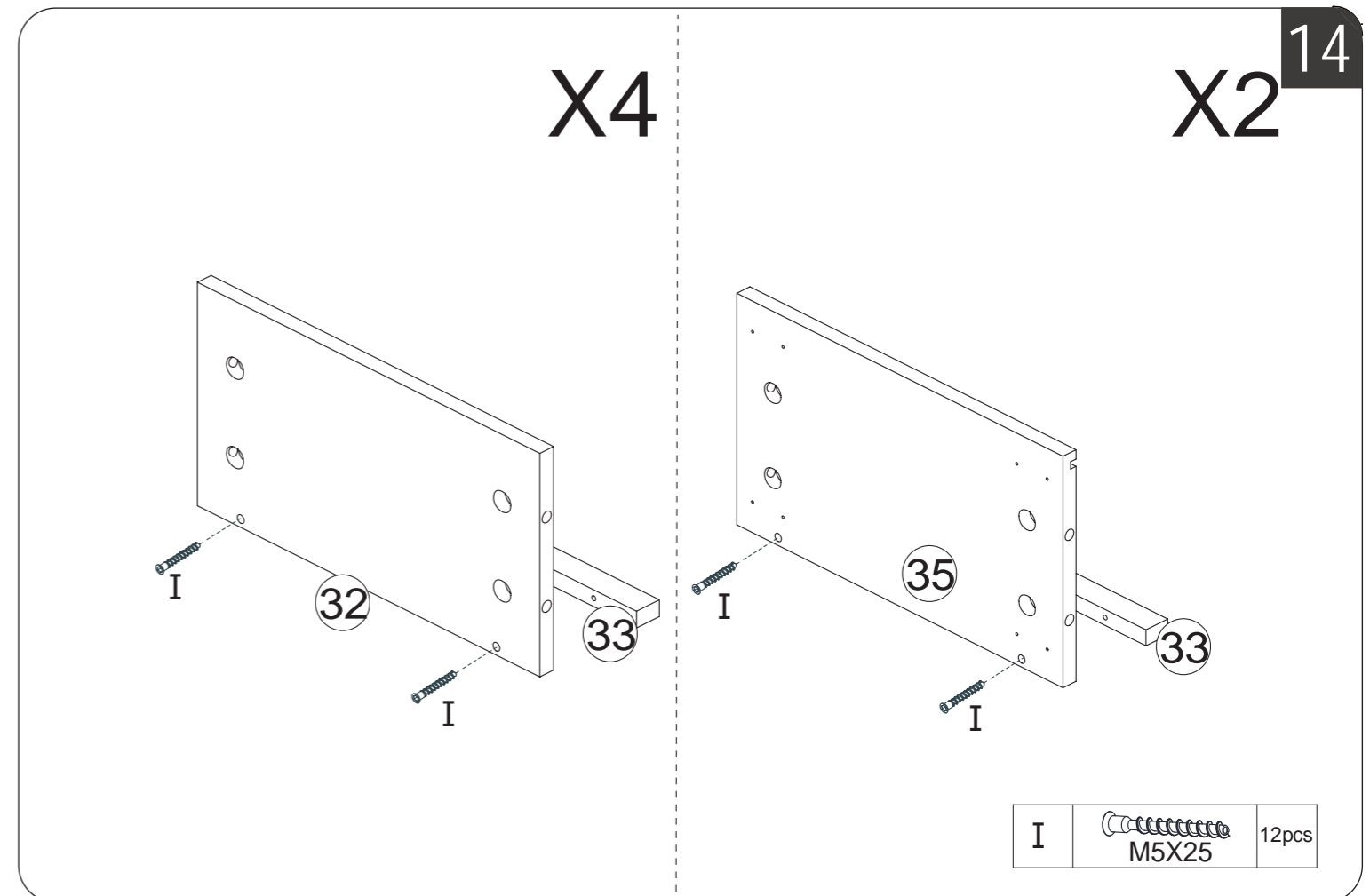
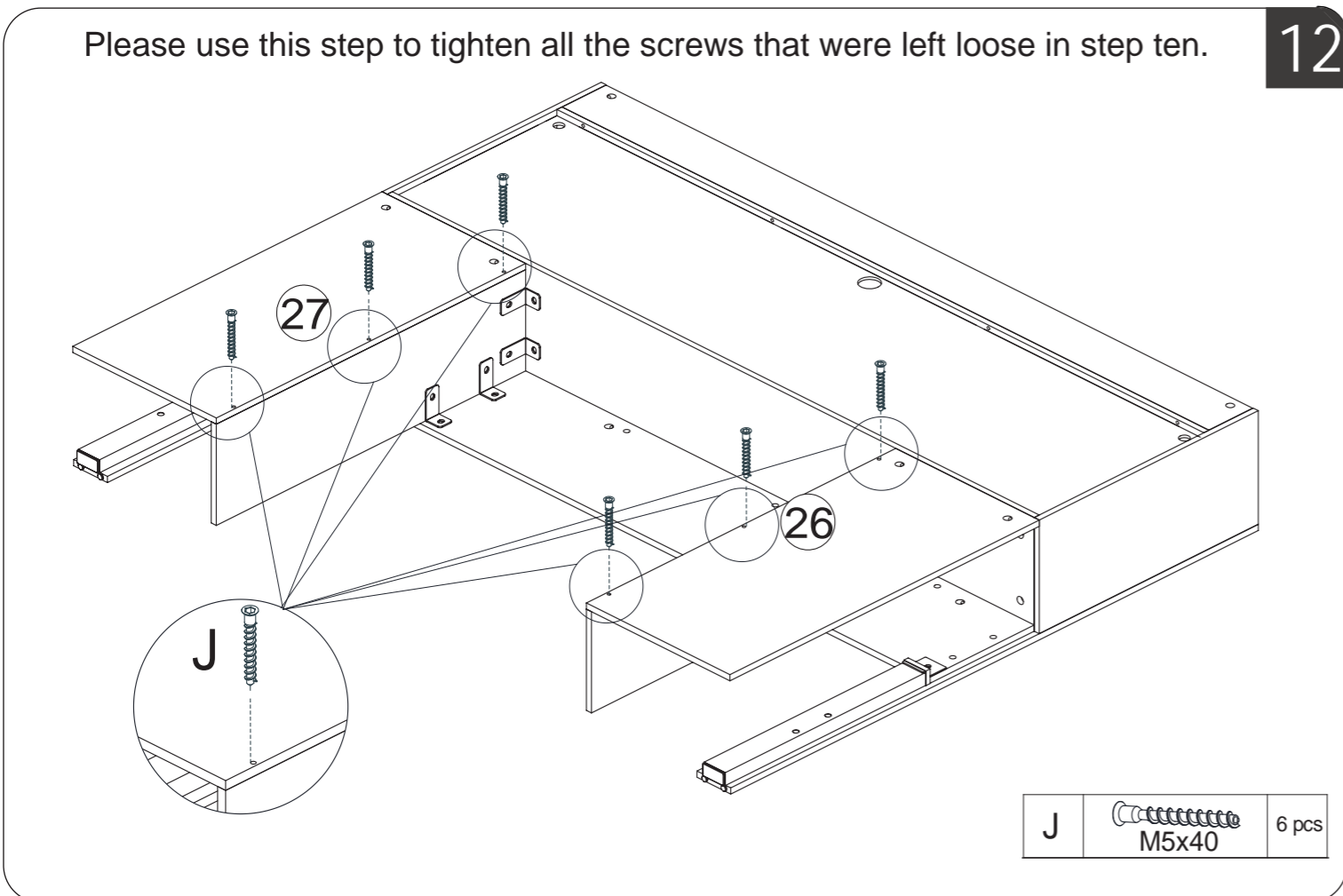
ASSEMBLY INSTRUCTIONS



ASSEMBLY INSTRUCTIONS

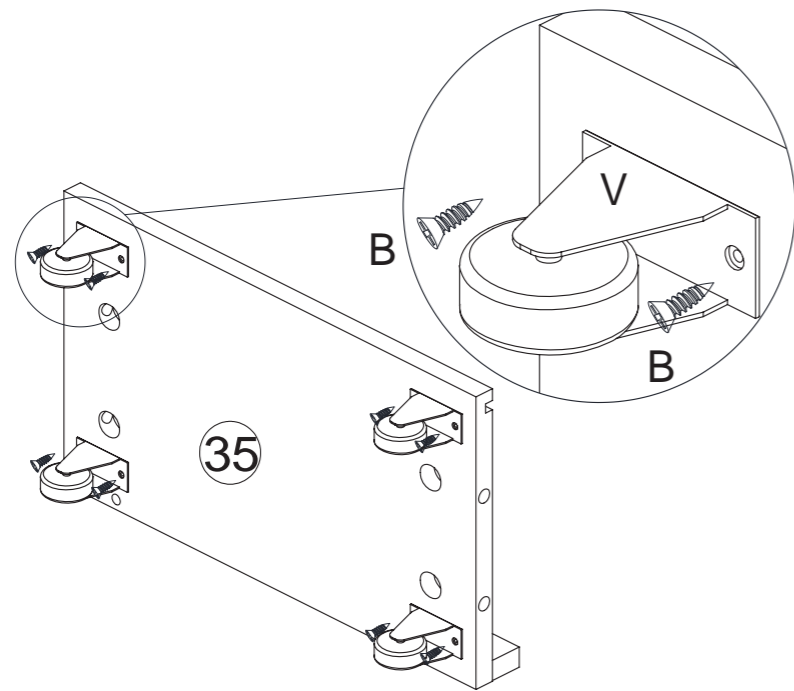


Please use this step to tighten all the screws that were left loose in step ten.




ASSEMBLY INSTRUCTIONS

15



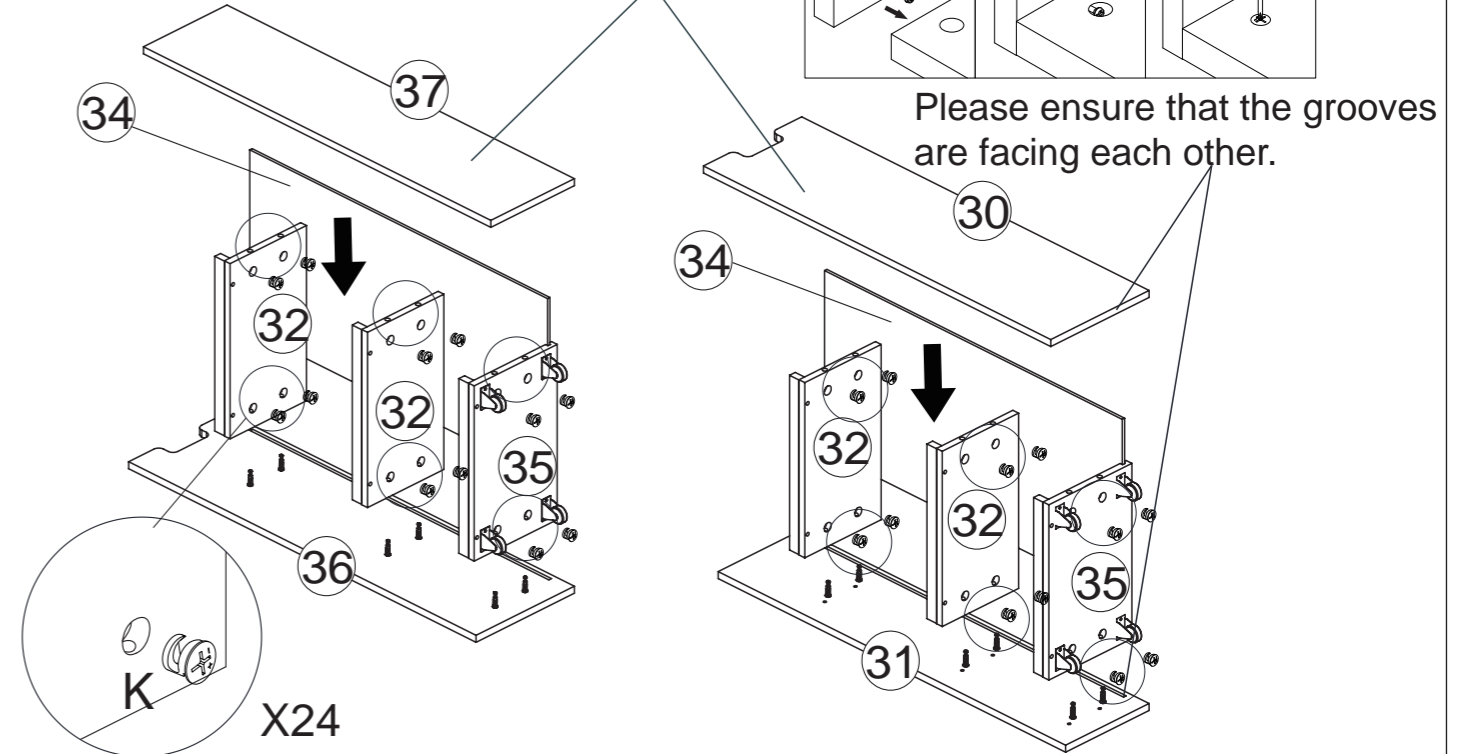
X2

B	 ST4. 2x12	16pcs
---	--	-------


ASSEMBLY INSTRUCTIONS

17

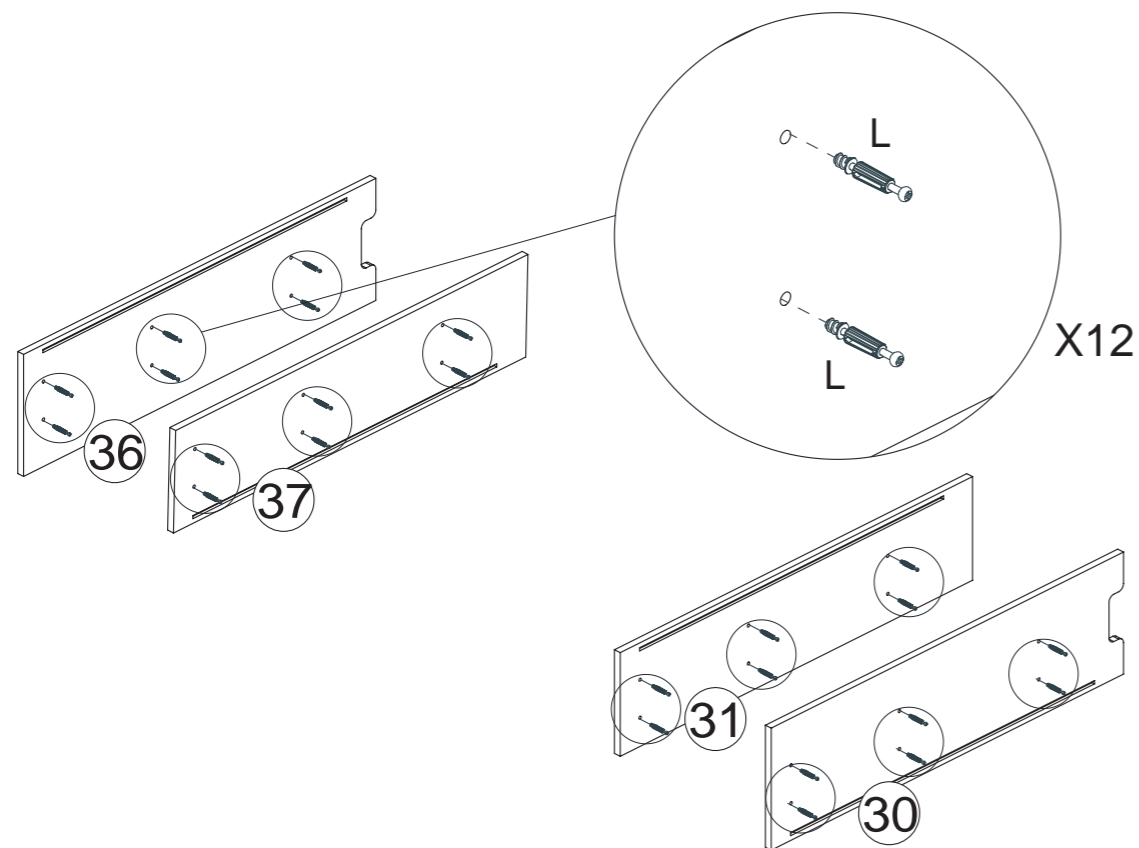
Note: Install parts 30 and 37 at the end.



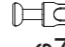
Please ensure that the grooves are facing each other.

K	 $\phi 15 \times 9.5$	24pcs
---	---	-------

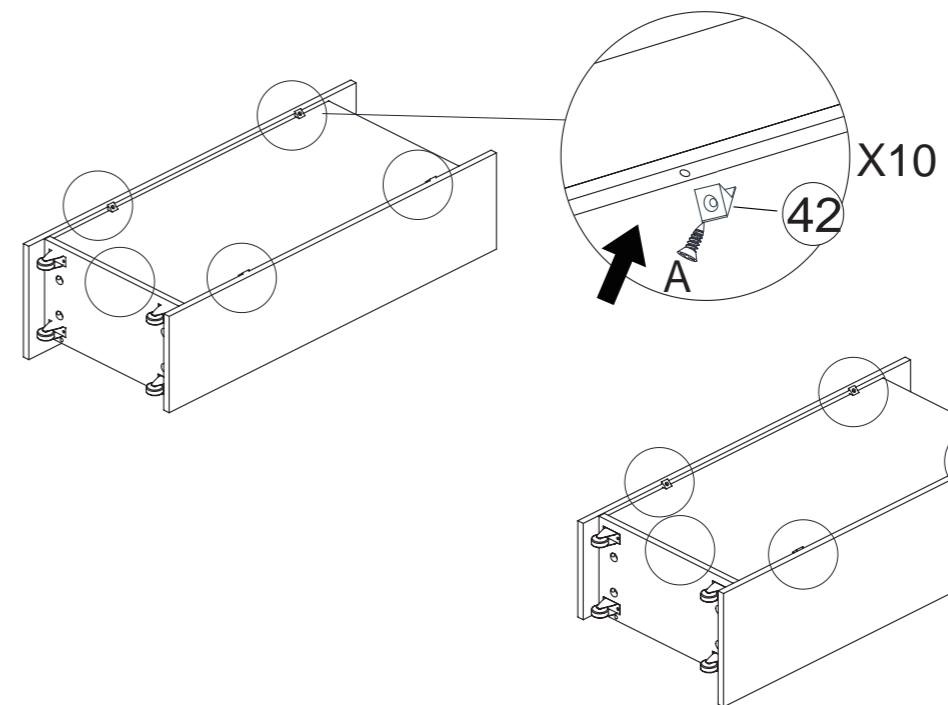
16



X12

L	 $\phi 7 \times 40$	24pcs
---	--	-------

18

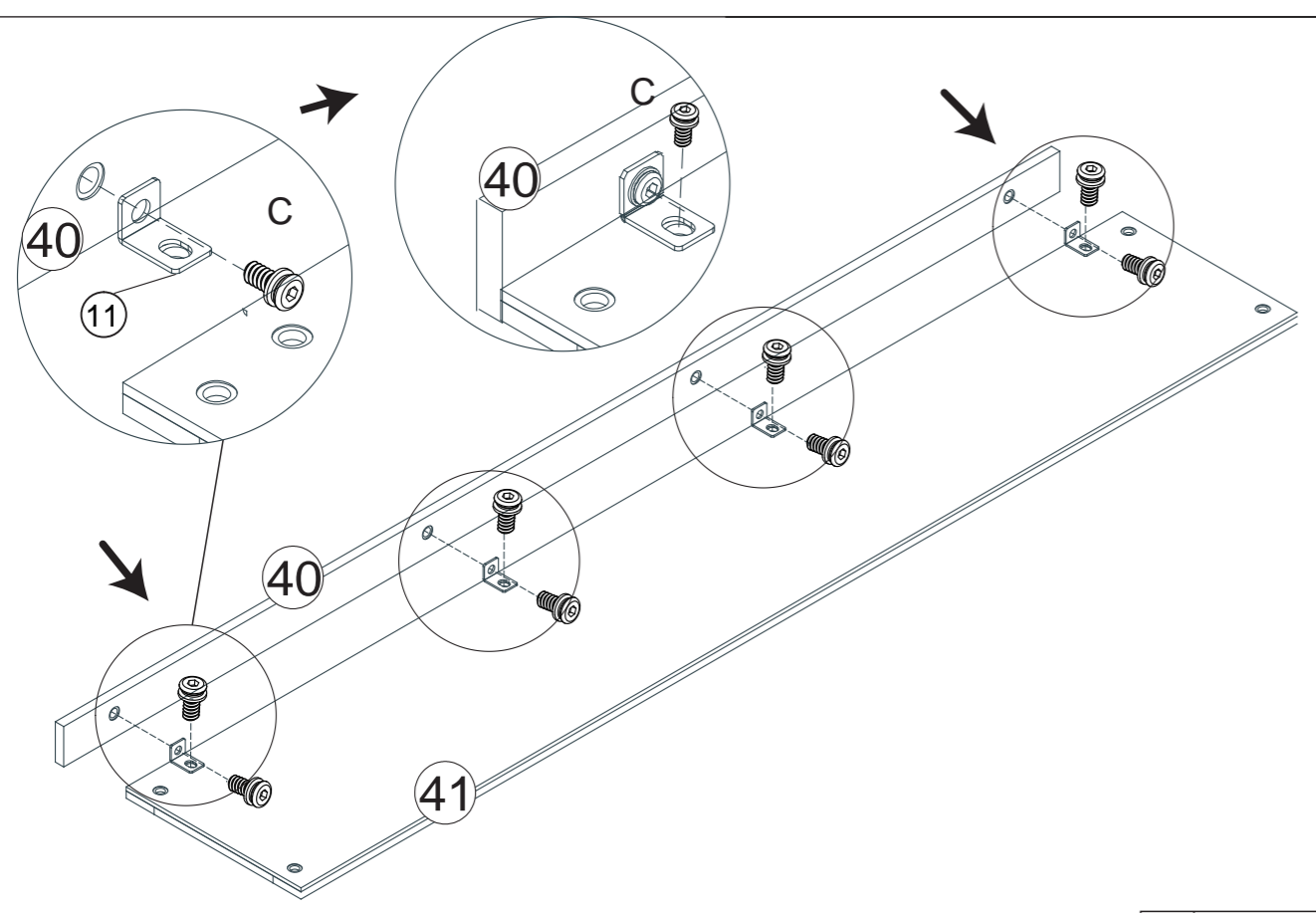


X10

A	 ST3. 2x12	10pcs
---	---	-------

ASSEMBLY INSTRUCTIONS

19



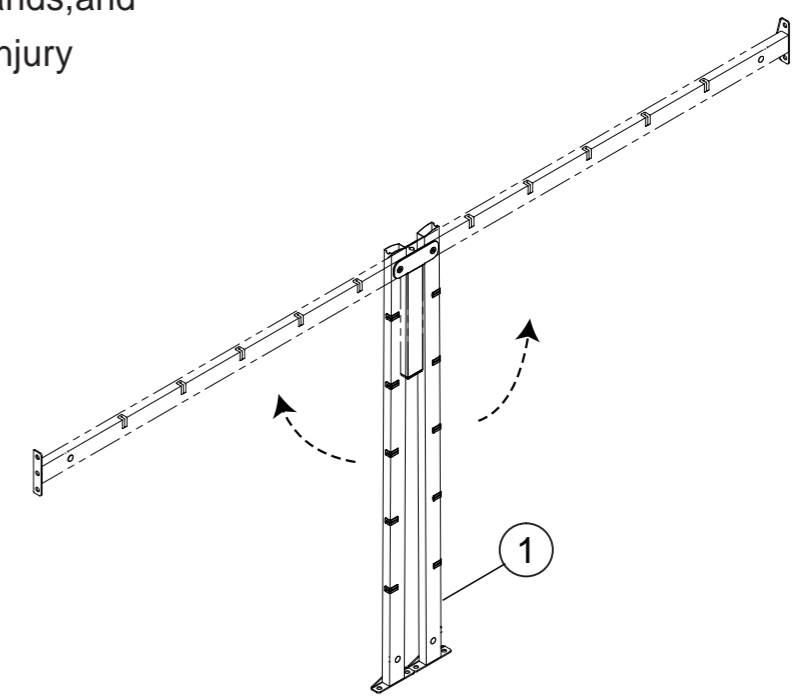
C		M8x12	8PCS
---	--	-------	------

ASSEMBLY INSTRUCTIONS

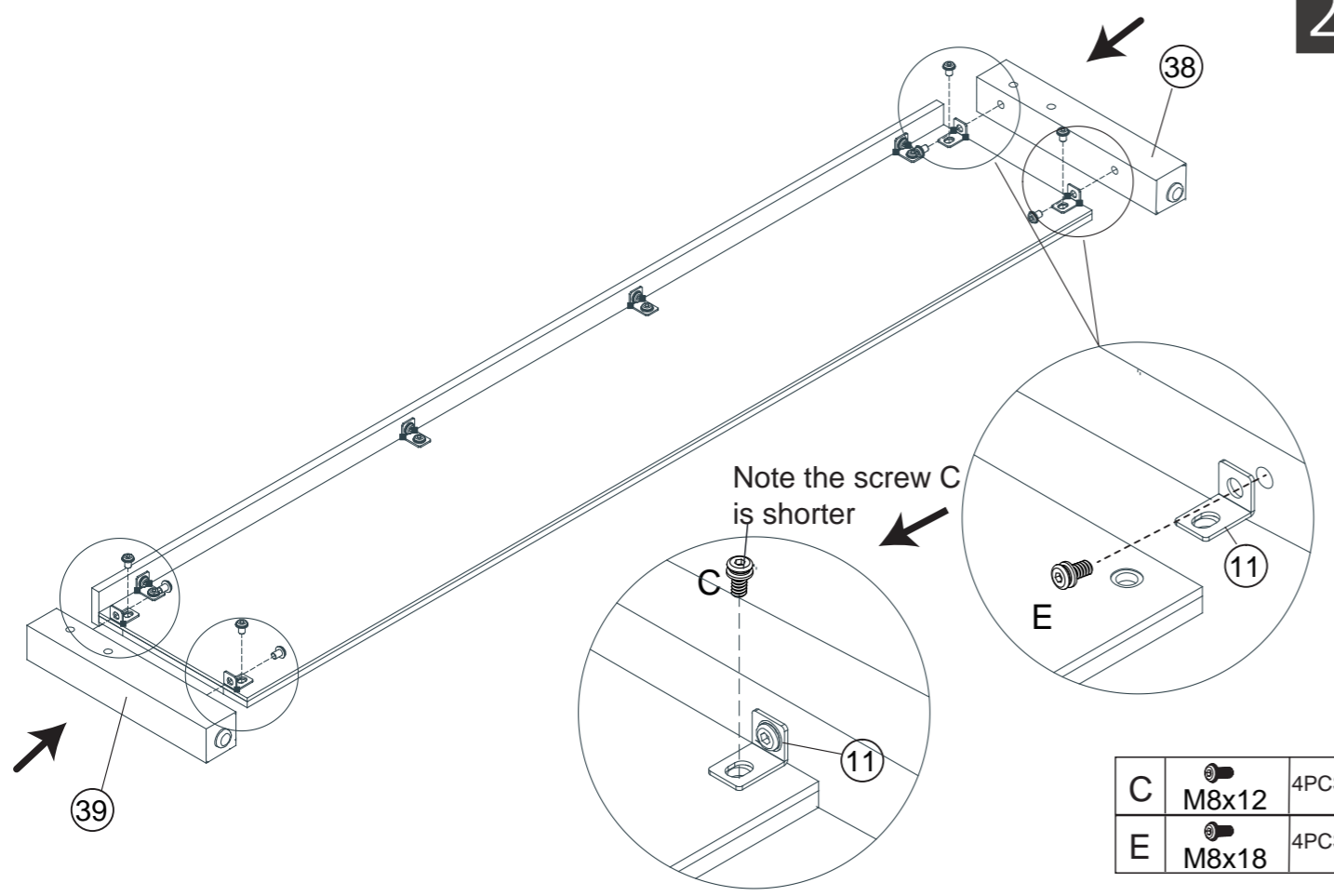
21



X2

WARNING!
Moving parts can crush or cut. Keep fingers, hands, and feet away to avoid injury

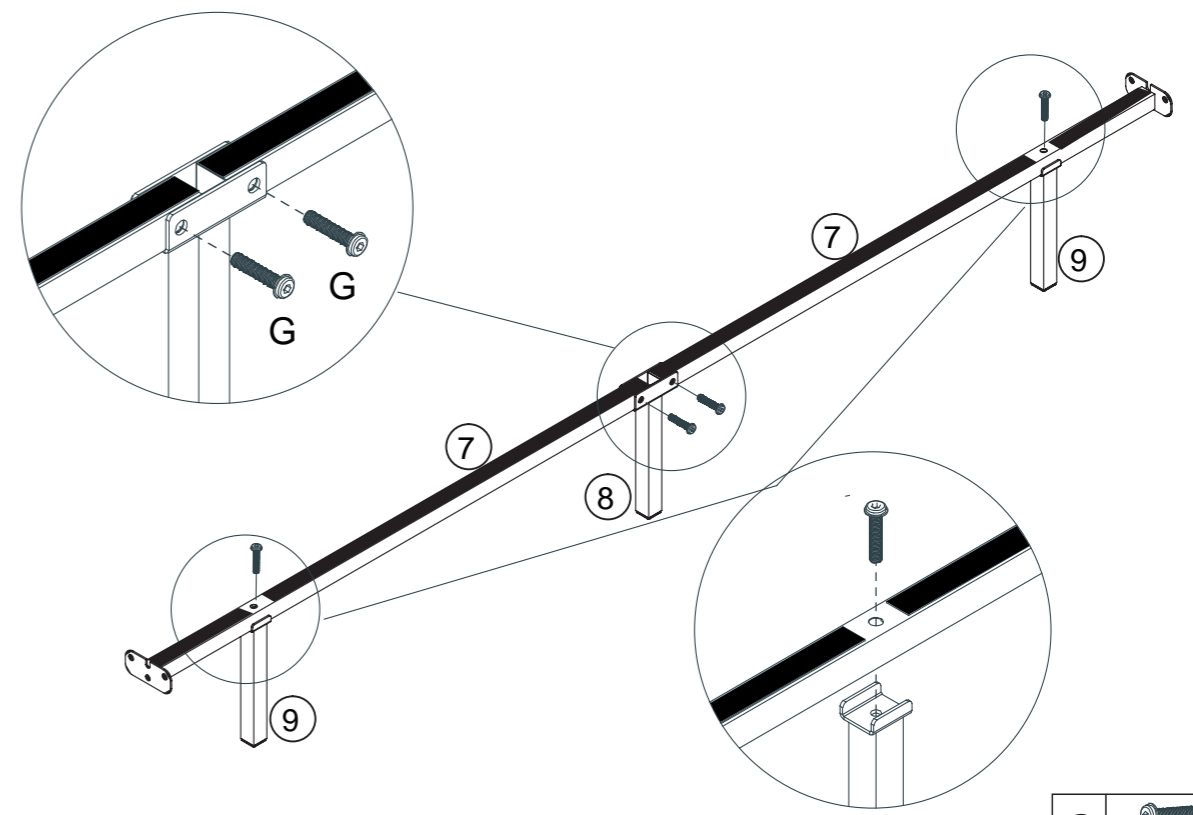


20



C		M8x12	4PCS
E		M8x18	4PCS

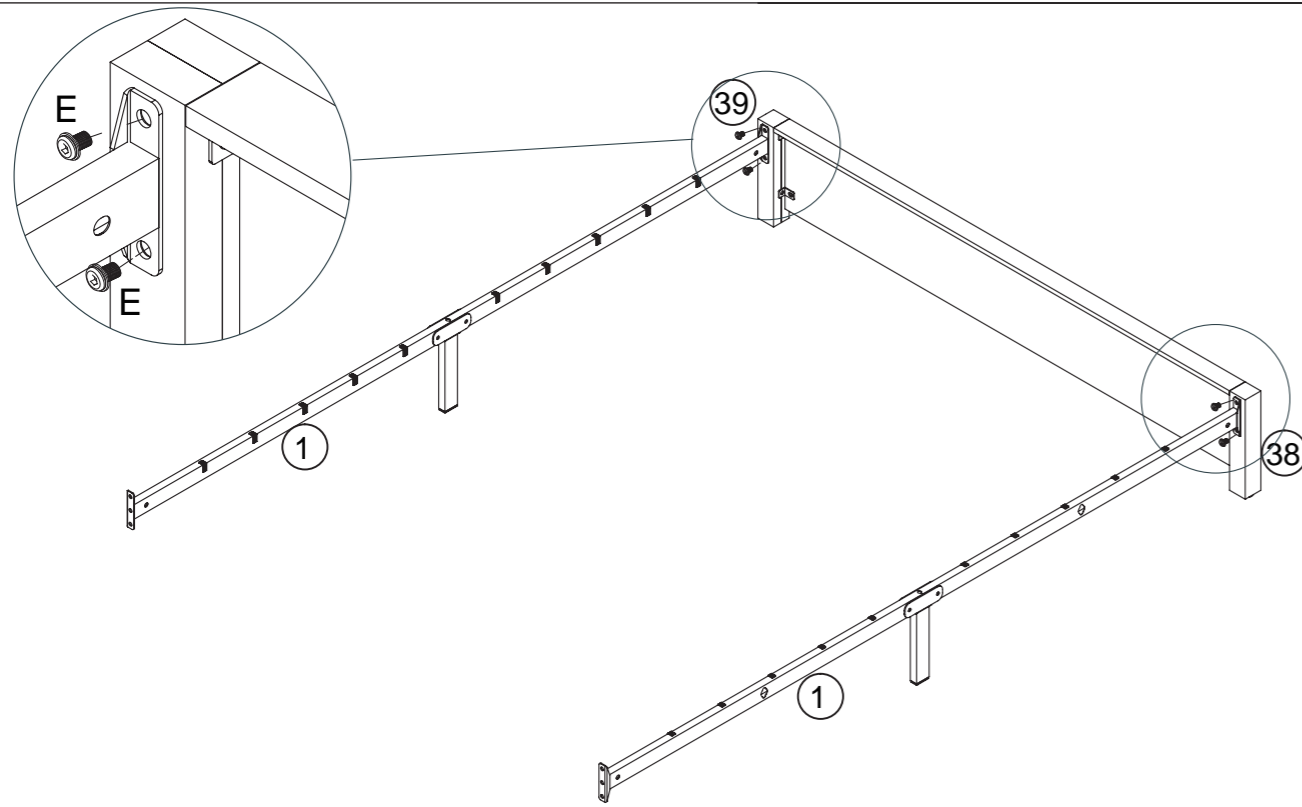
22



G		M8x40	4PCS
---	---	-------	------

ASSEMBLY INSTRUCTIONS

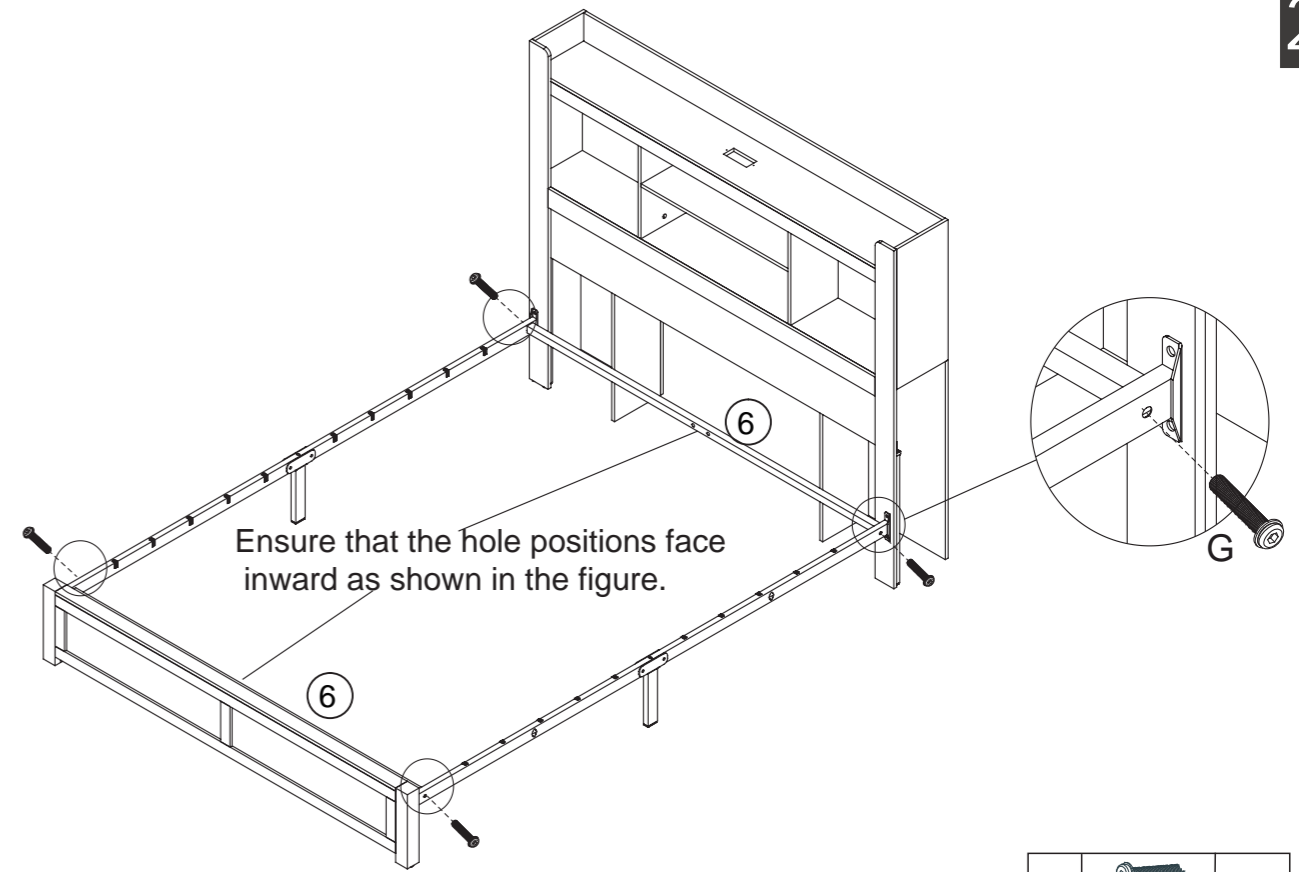
23



E M8x18 4PCS

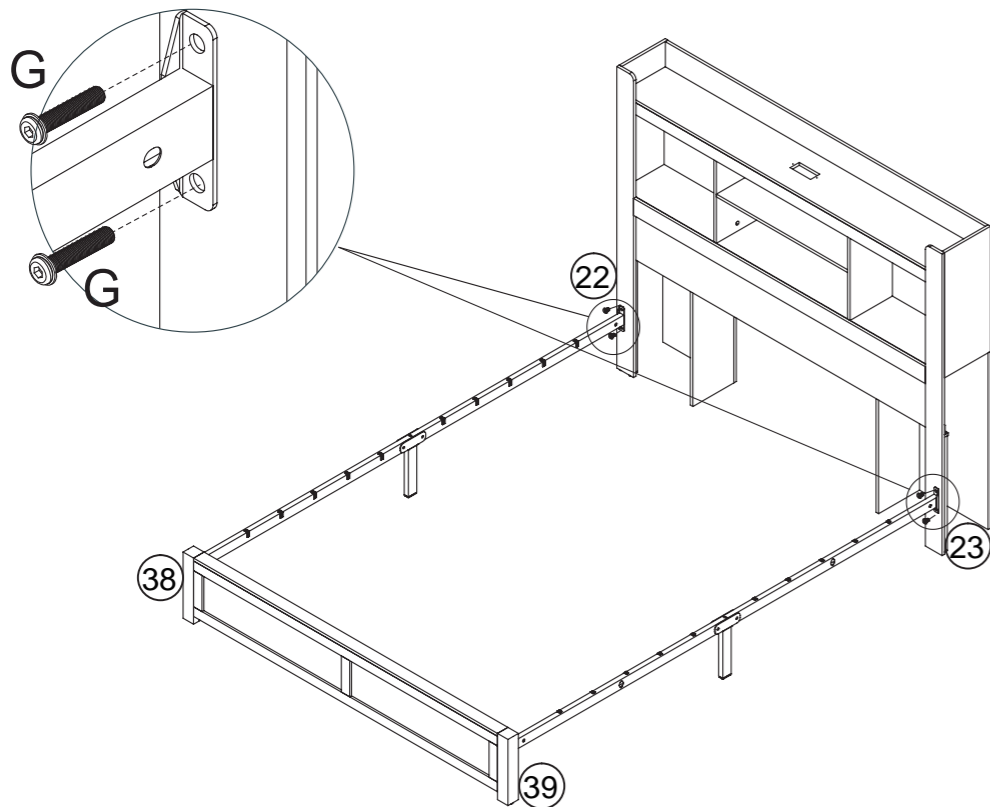
ASSEMBLY INSTRUCTIONS

25



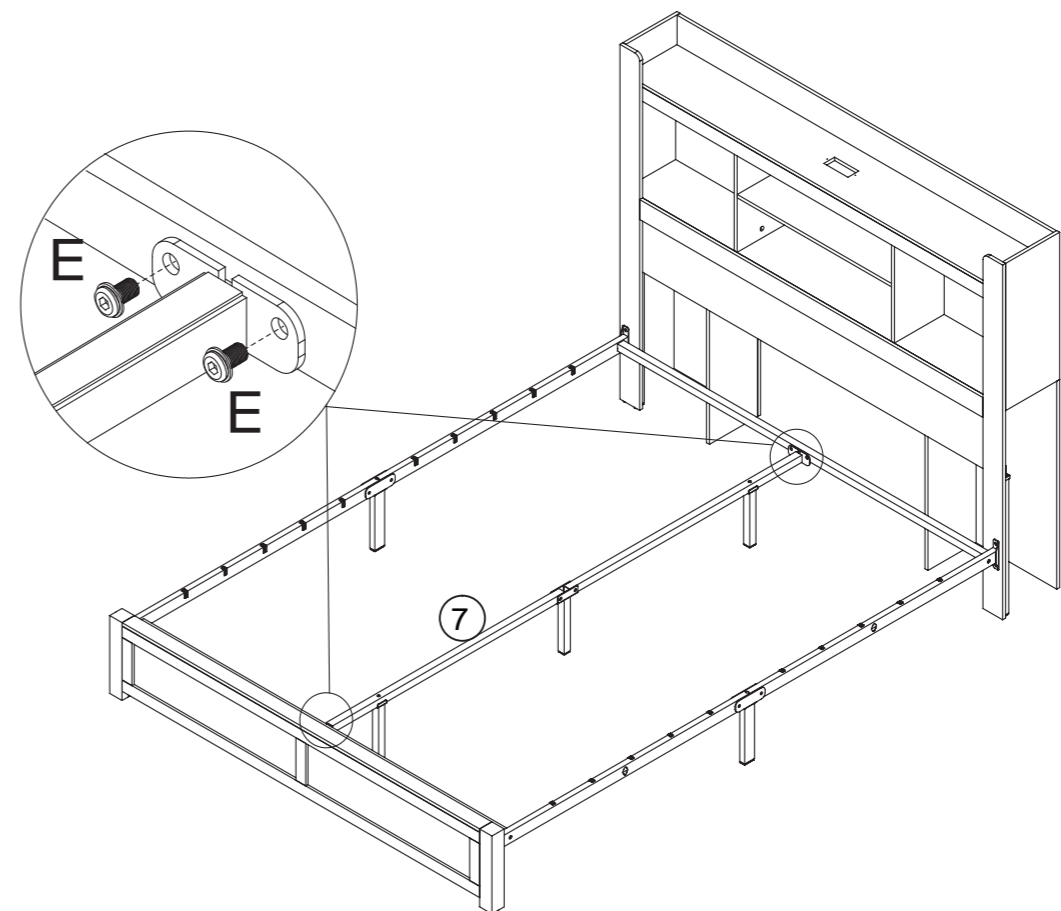
G M8x40 4PCS

24



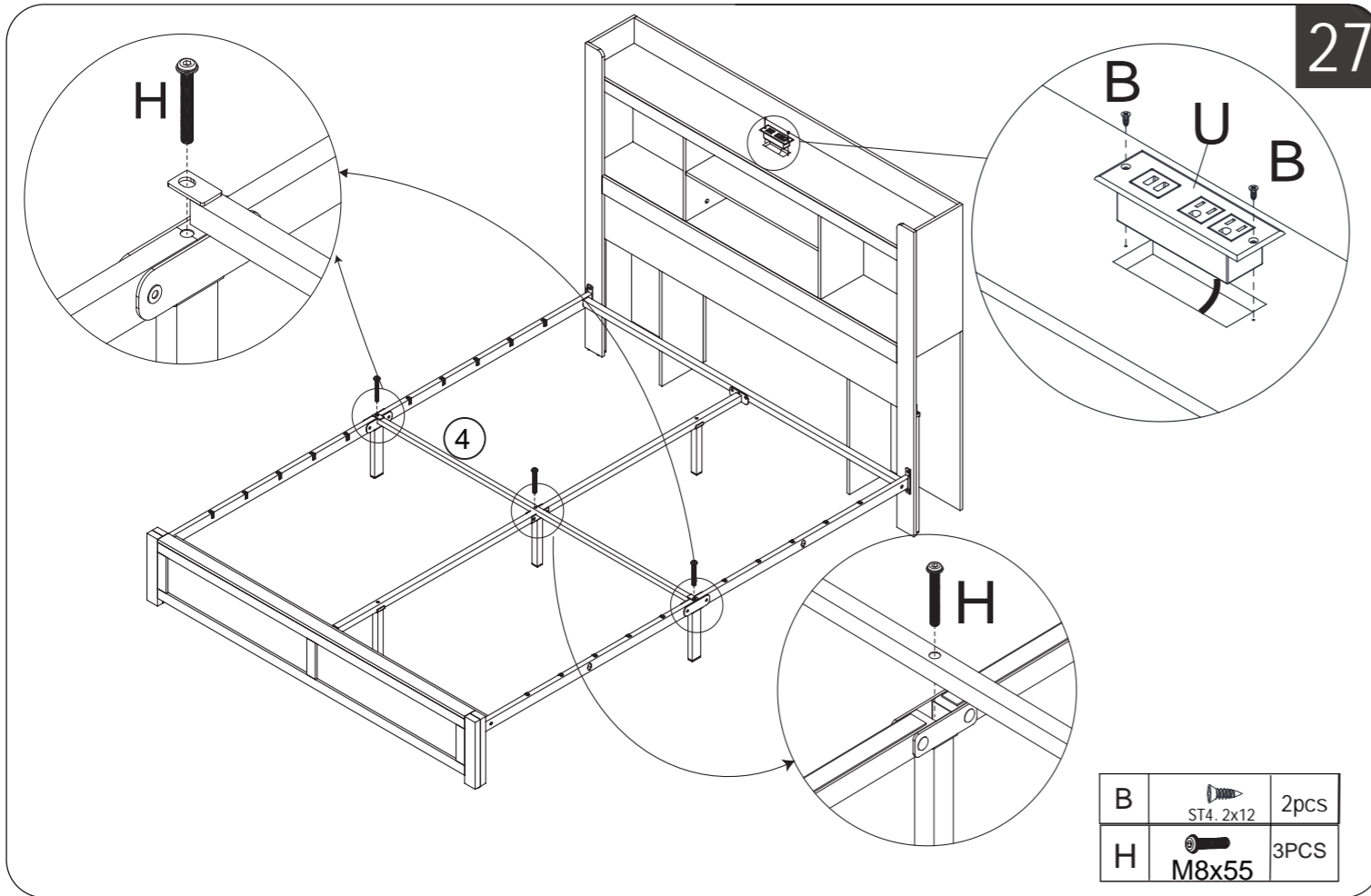
G M8x40 4PCS

26



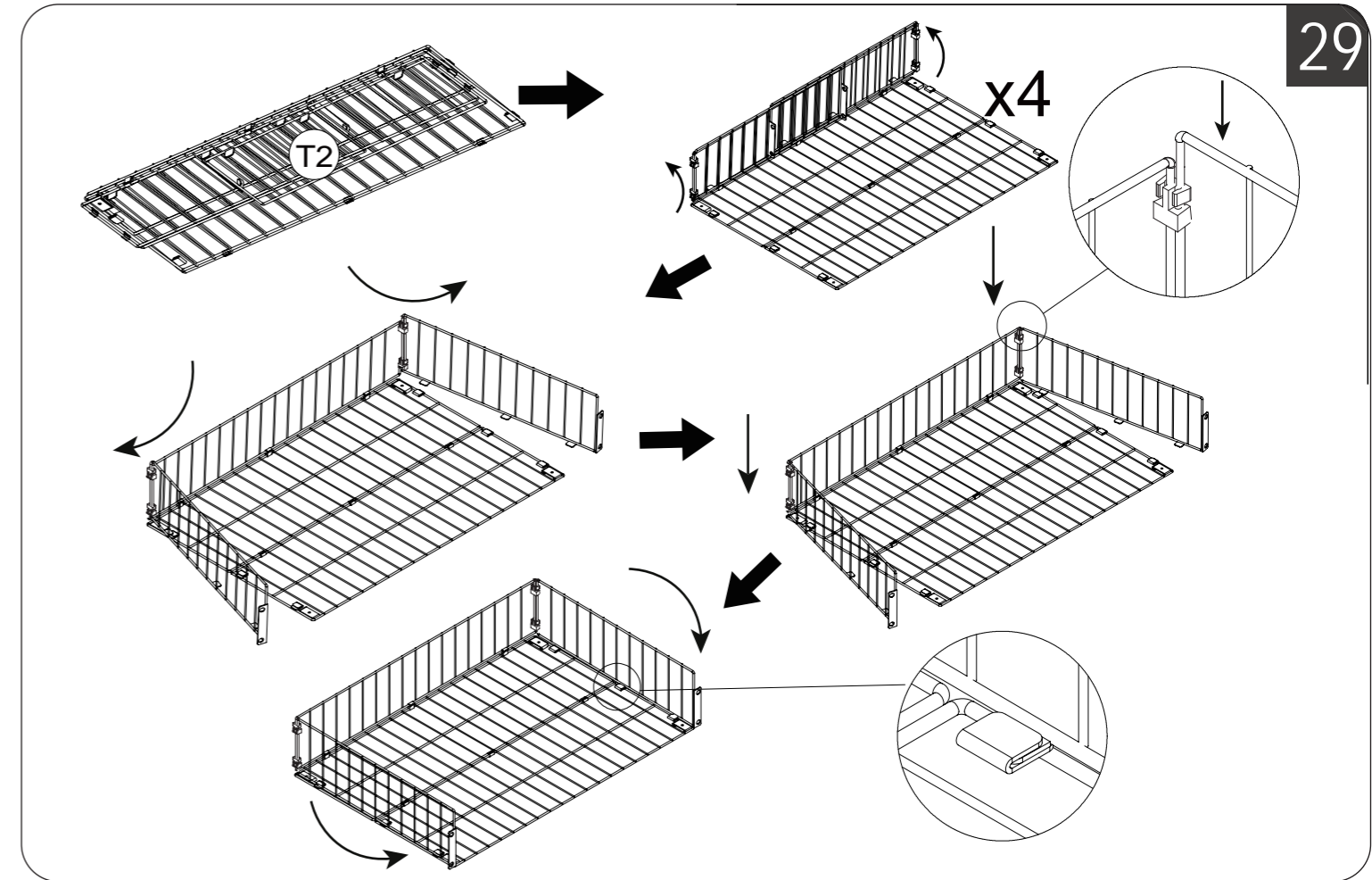
E M8x18 4PCS

ASSEMBLY INSTRUCTIONS

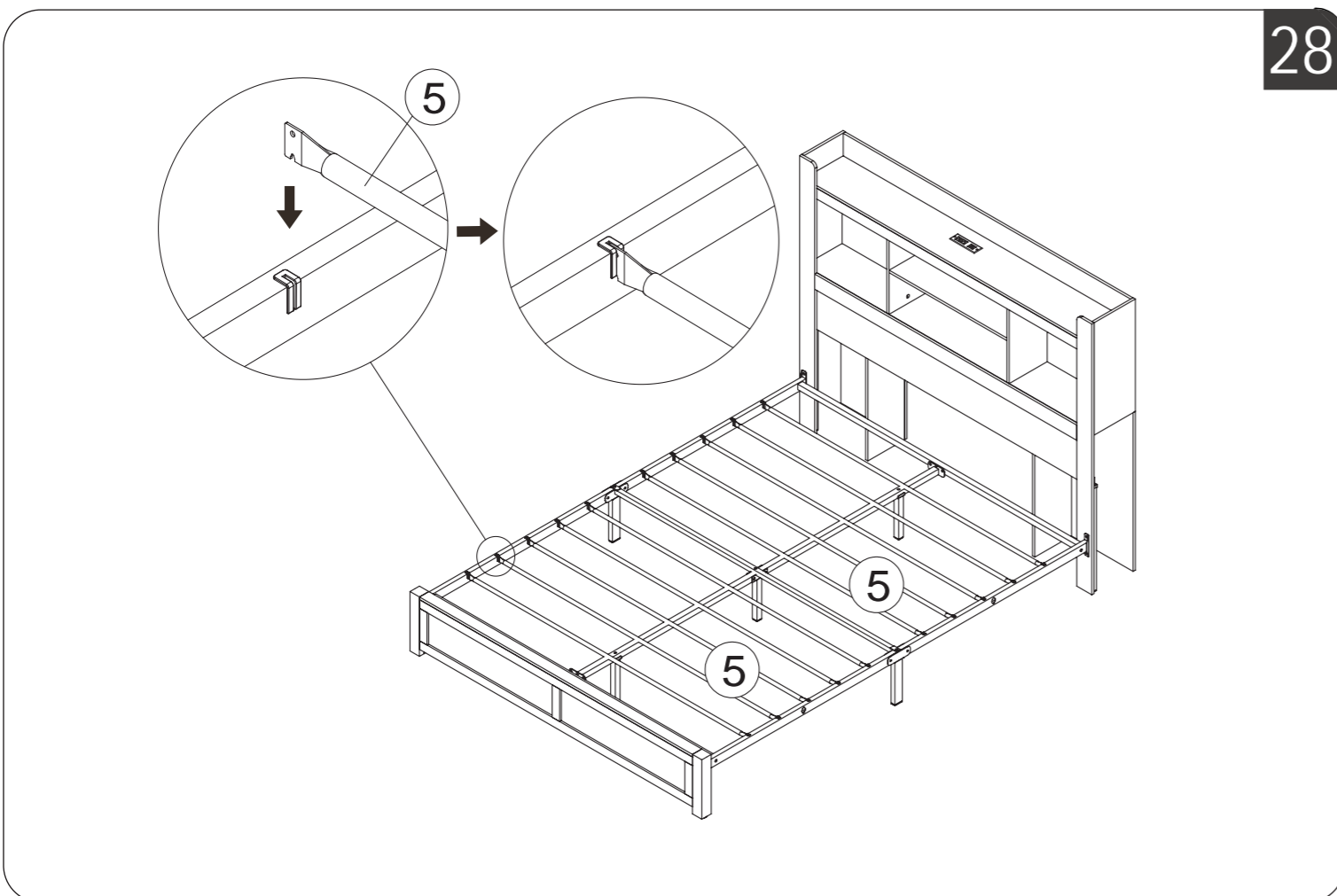


27

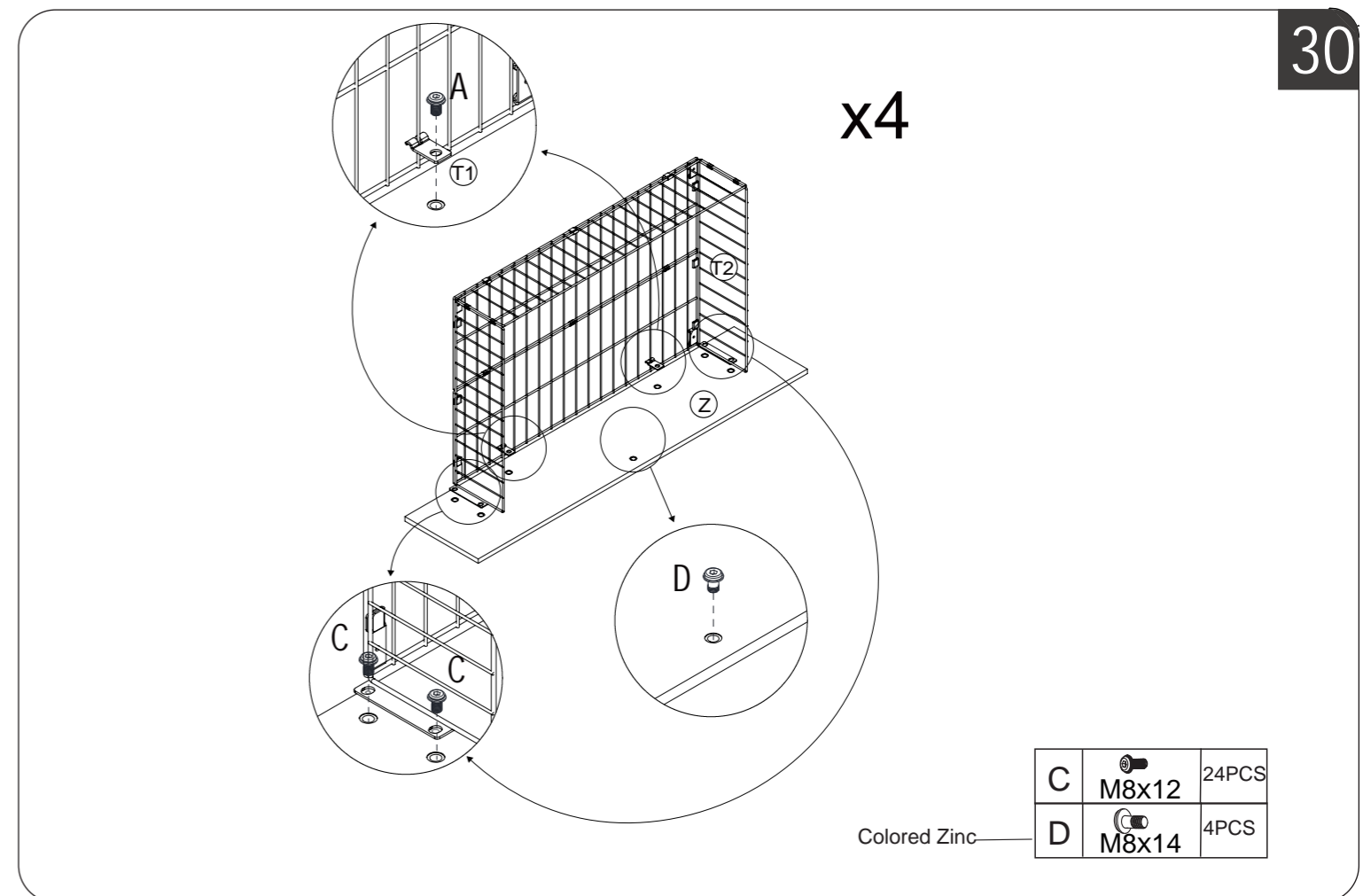
ASSEMBLY INSTRUCTIONS



29

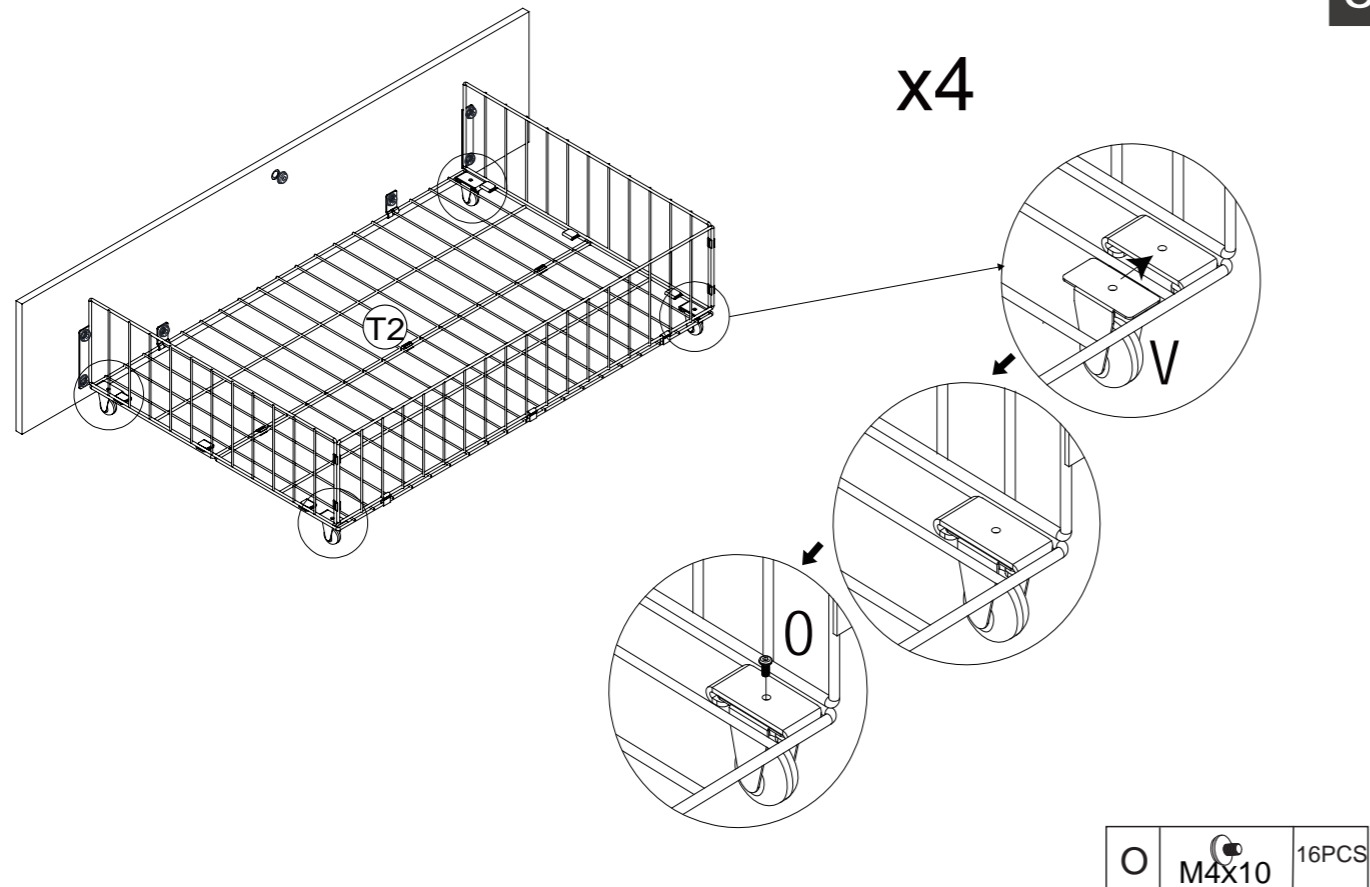


28

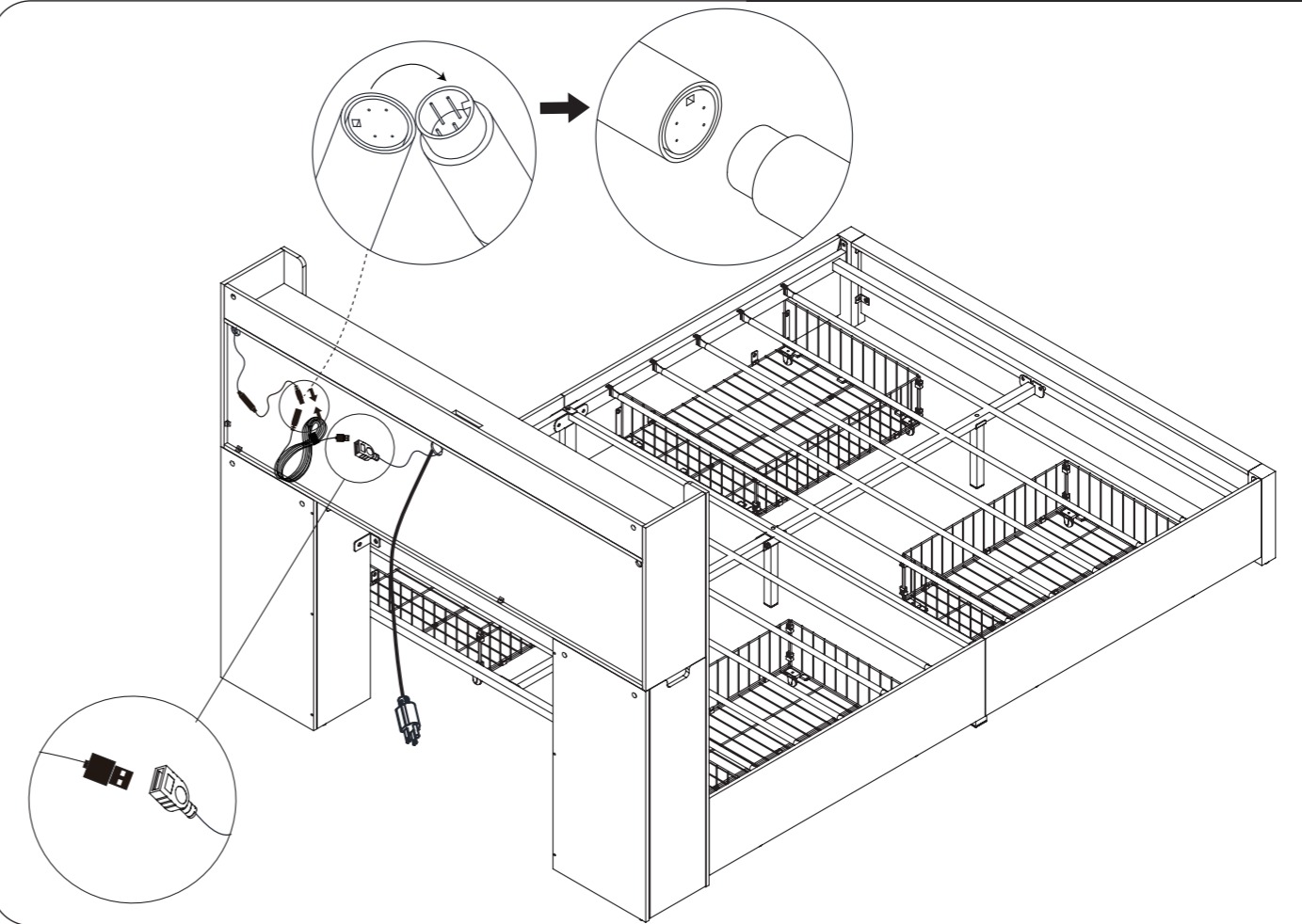


30

31



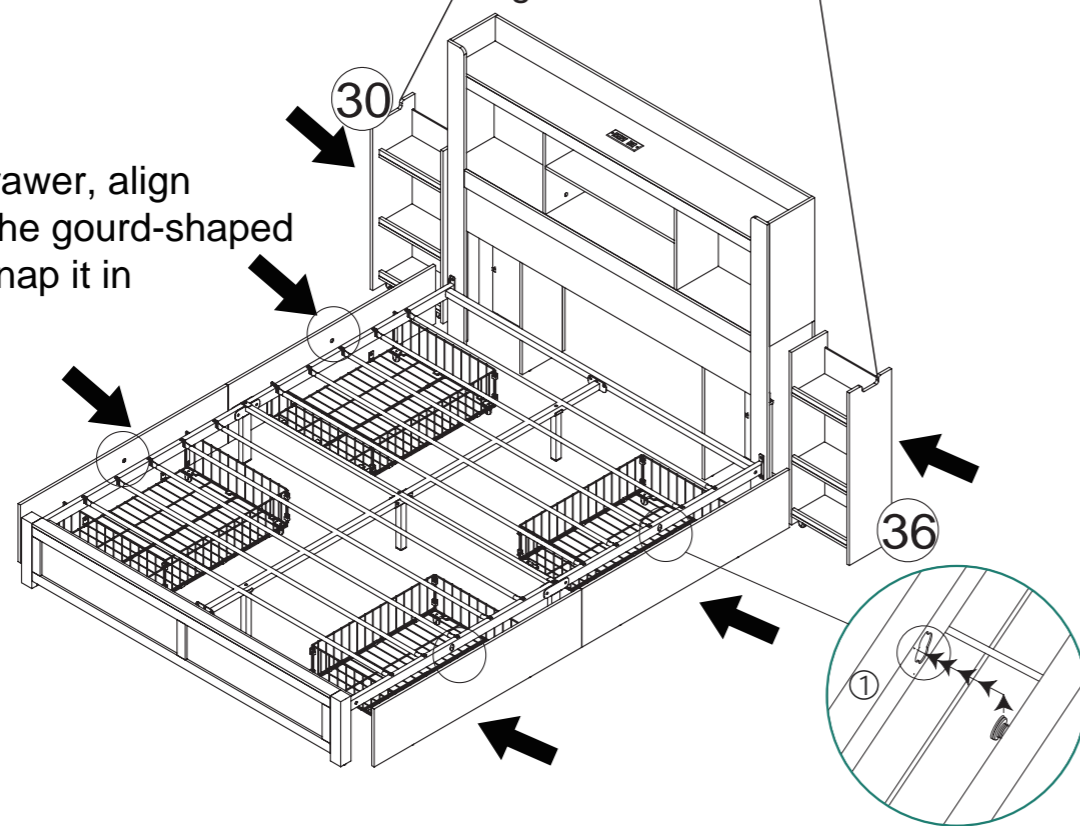
33



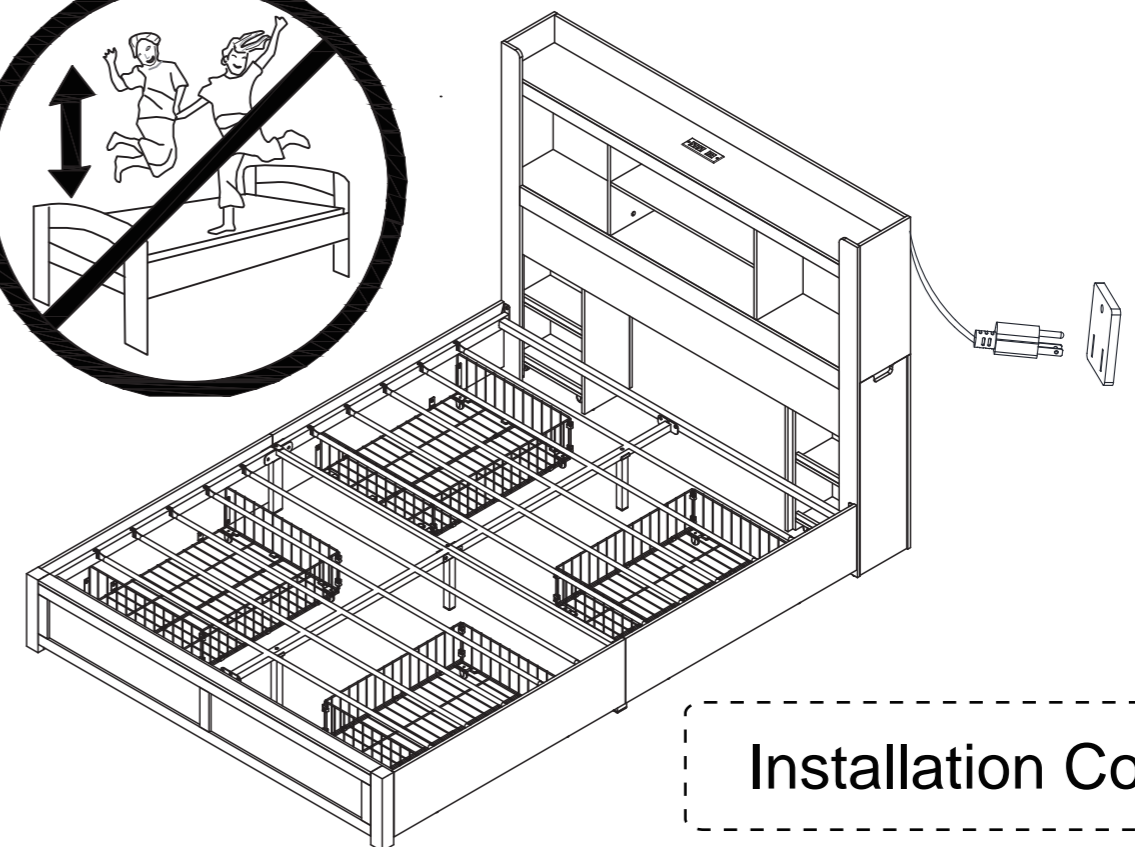
Please ensure that the bedside cabinets on both sides of the headboard are positioned in the direction shown in the figure.

32

Gently lift the drawer, align the screw with the gourd-shaped hole, and then snap it in



34



Installation Complete