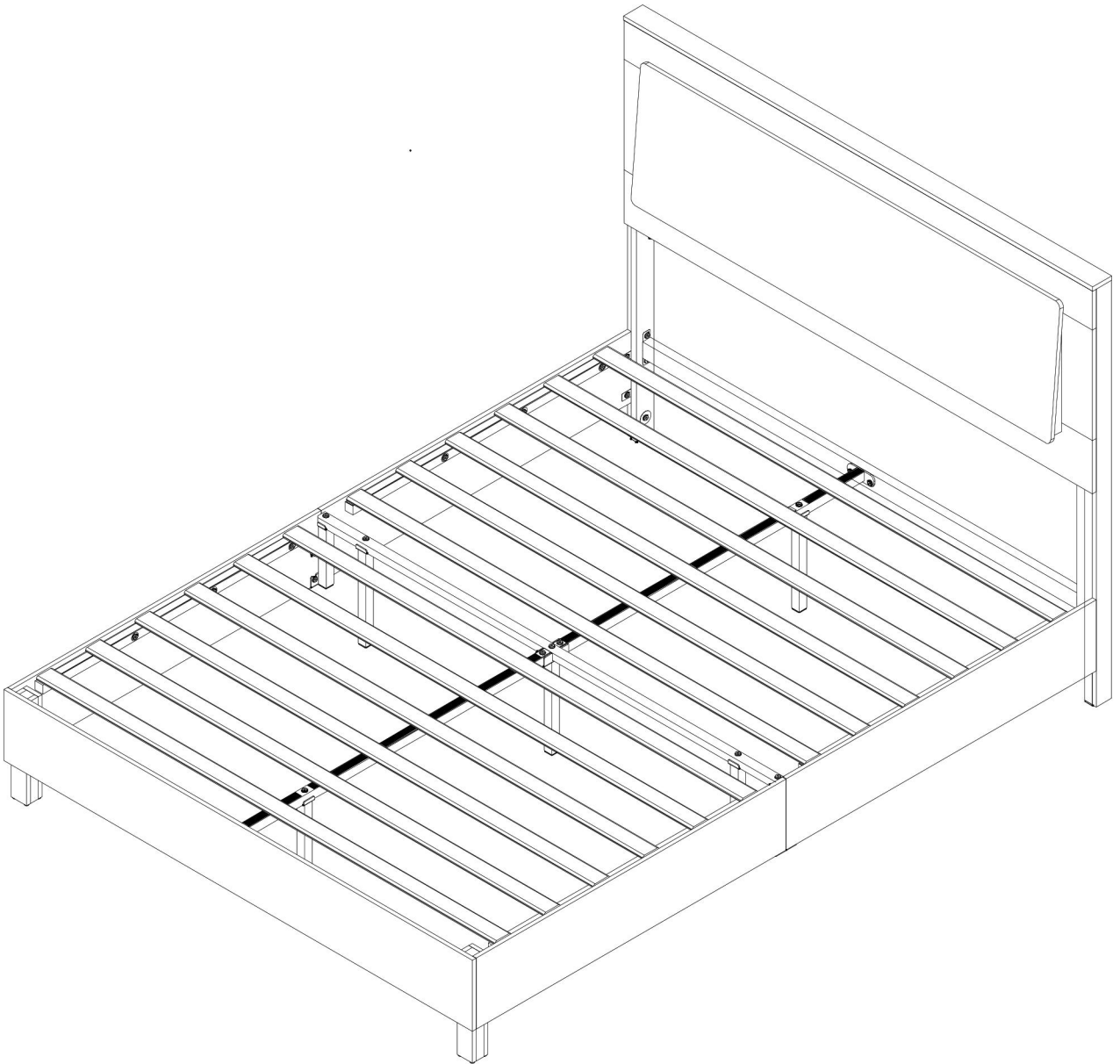


Panel Bed Assembly Instructions



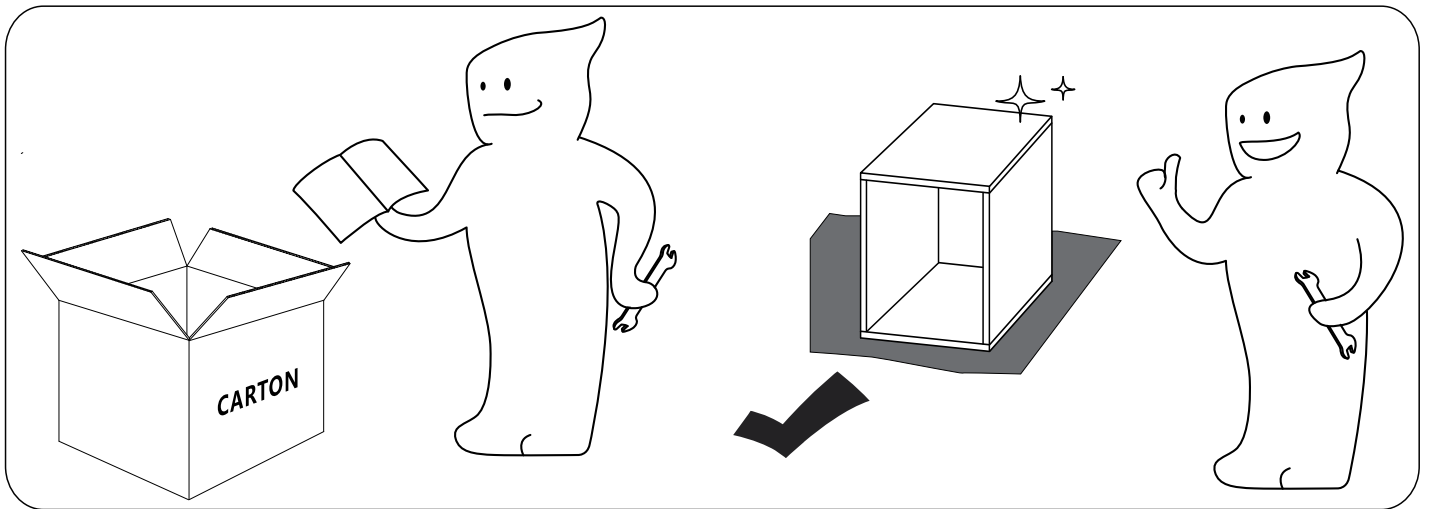
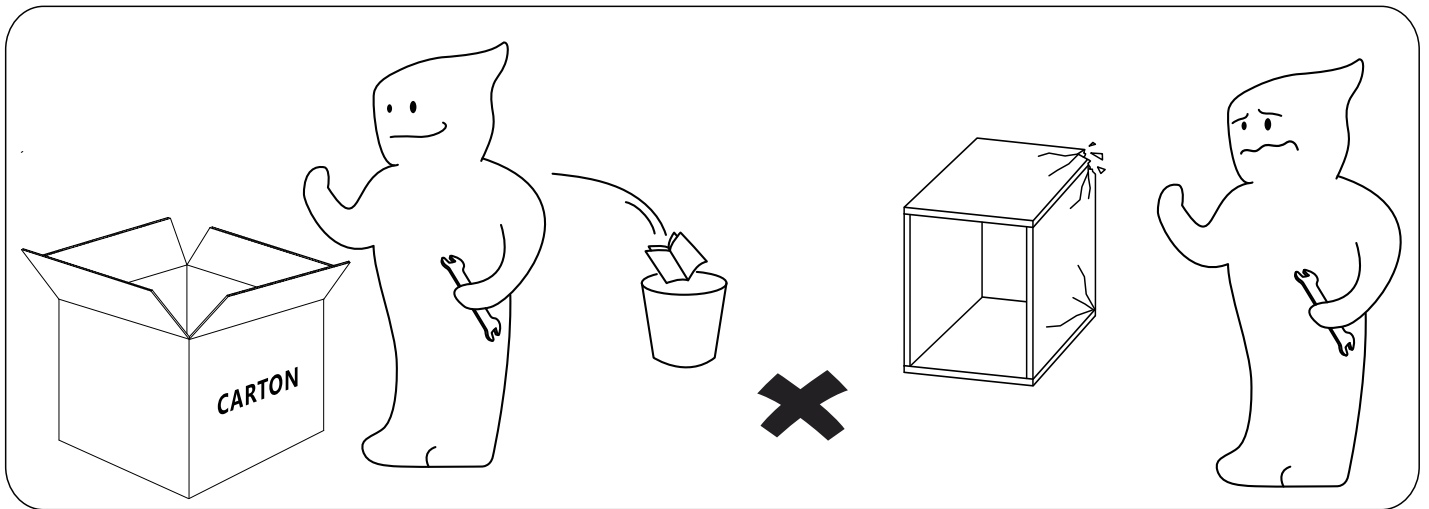
Dear Customers,

Thank you for purchasing our product. Please read this instruction manual carefully after receiving this product. It will help you assemble this product quickly, safely and correctly. You can keep this manual for future reference.

MADE IN CHINA

! IMPORTANT

Please follow the instruction manuals and use a pad to protect the product during your assembly.



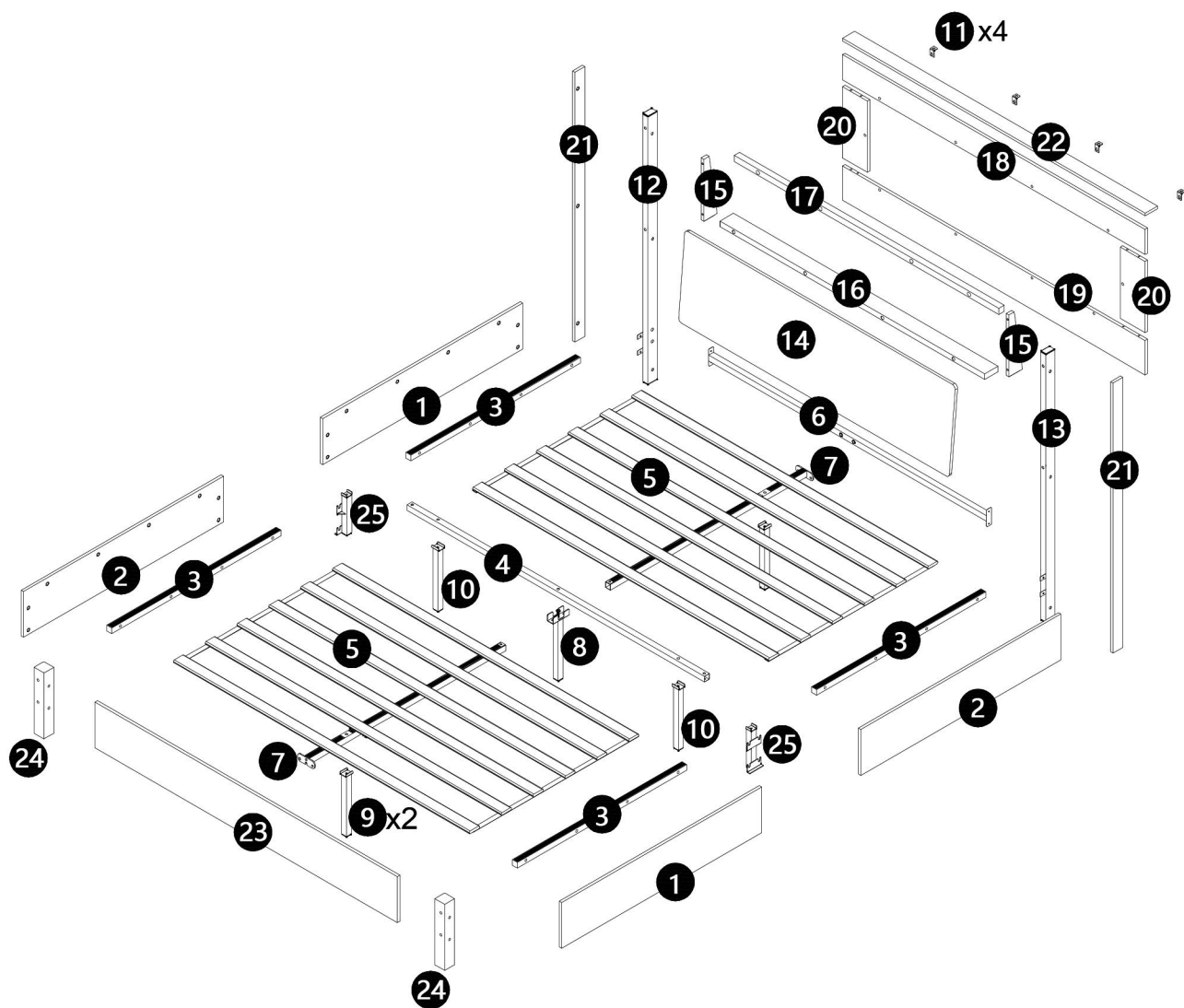
Note:

1. Should be assembled on flat ground to keep balance.
2. Before completing the installation, do not tighten the screws.

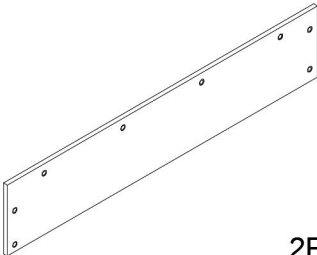
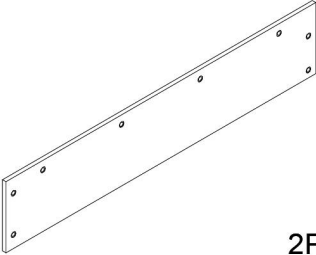
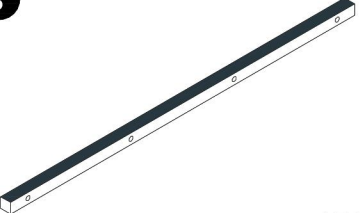
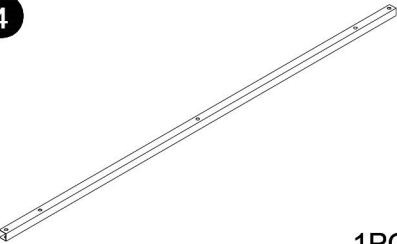
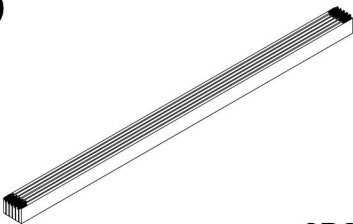
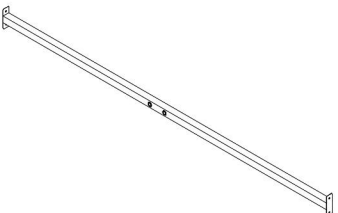

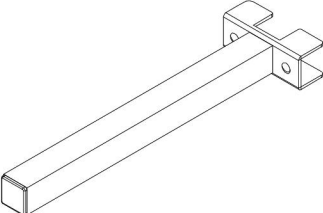
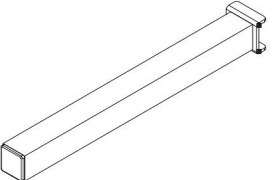
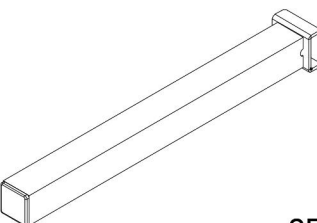
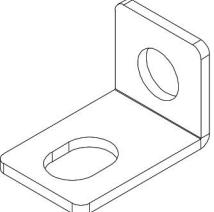
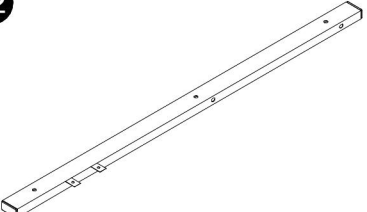
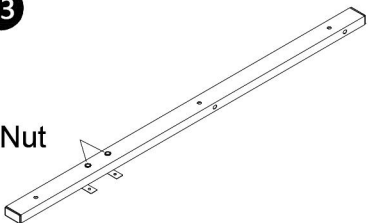
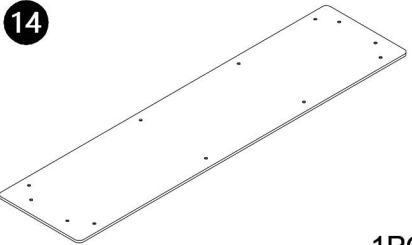
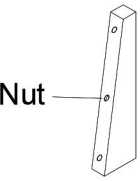


For easier and better assembly, **2** or more adults are required.

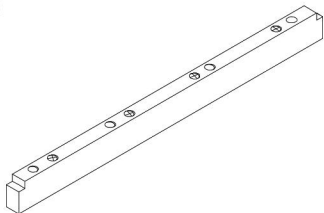
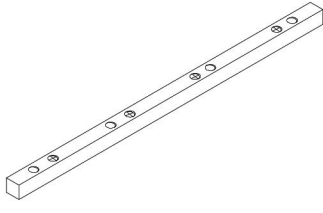
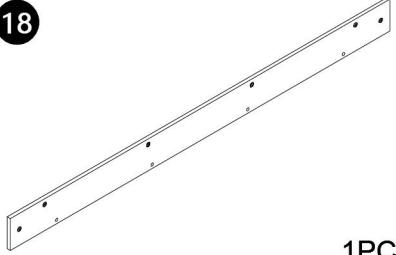
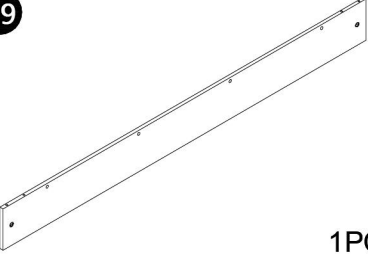
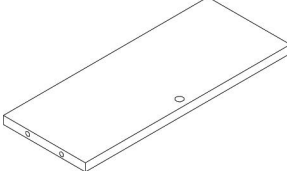
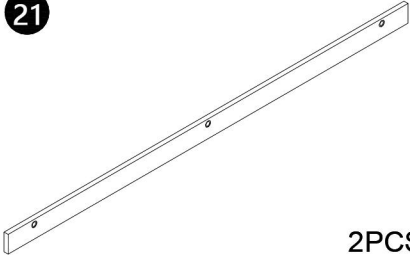
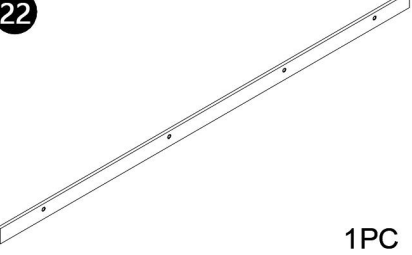
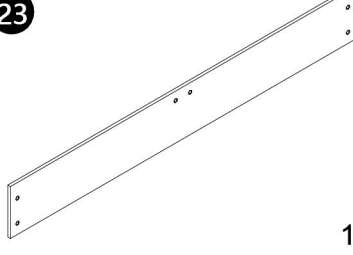
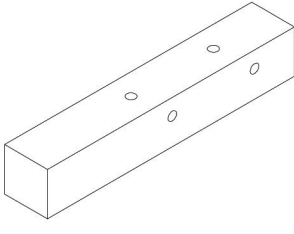
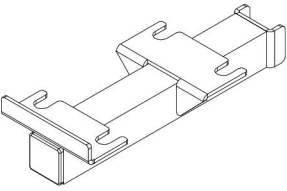
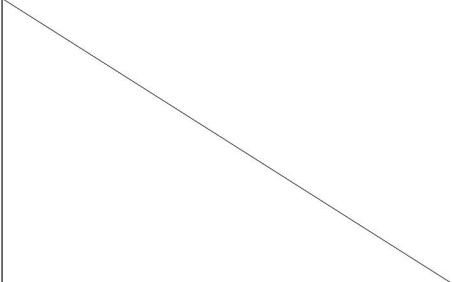
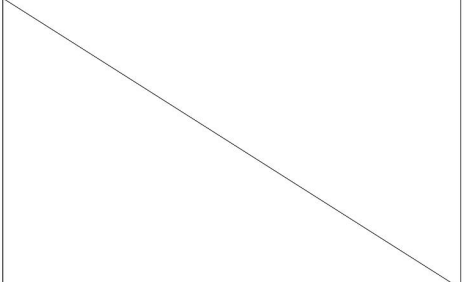
ASSEMBLY INSTRUCTIONS






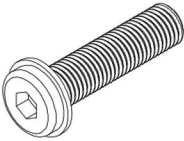
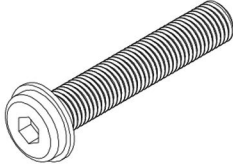
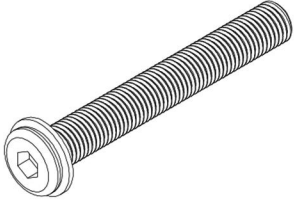
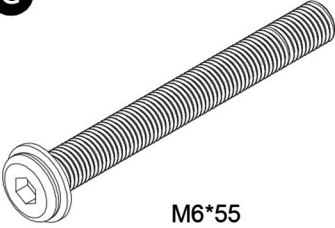

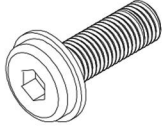
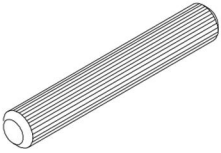
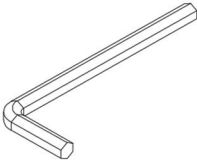
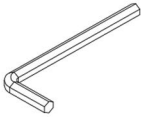


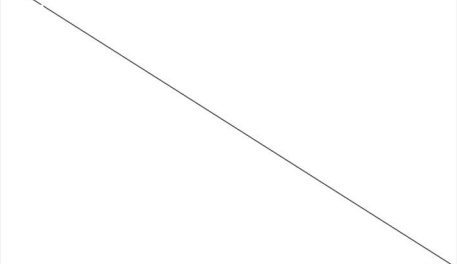
ASSEMBLY INSTRUCTIONS

<p>1</p>  <p>2PC</p>	<p>2</p>  <p>2PC</p>	<p>3</p>  <p>4PCS</p>
<p>4</p>  <p>1PC</p>	<p>5</p>  <p>2PCS</p>	<p>6</p>  <p>1PC</p>
<p>7</p>  <p>2PCS</p>	<p>8</p>  <p>1PC</p>	<p>9</p>  <p>2PCS</p>
<p>10</p>  <p>2PCS</p>	<p>11</p>  <p>4PCS</p>	<p>12</p>  <p>1PC</p>
<p>13</p>  <p>Nut</p> <p>1PC</p>	<p>14</p>  <p>1PC</p>	<p>15</p>  <p>Nut</p> <p>2PC</p>

ASSEMBLY INSTRUCTIONS

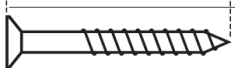
<p>16</p>  <p>1PC</p>	<p>17</p>  <p>1PC</p>	<p>18</p>  <p>1PC</p>
<p>19</p>  <p>1PC</p>	<p>20</p>  <p>2PCS</p>	<p>21</p>  <p>2PCS</p>
<p>22</p>  <p>1PC</p>	<p>23</p>  <p>1PC</p>	<p>24</p>  <p>2PCS</p>
<p>25</p>  <p>2PCS</p>		

ASSEMBLY INSTRUCTIONS

<p>A</p>  <p>M6*10 24PCS</p>	<p>B</p>  <p>M6*20 12PCS</p>	<p>C</p>  <p>M6*25 6PCS</p>
<p>D</p>  <p>M6*35 22PCS</p>	<p>E</p>  <p>M6*45 6PCS</p>	<p>F</p>  <p>M6*50 6PCS</p>
<p>G</p>  <p>M6*55 8PCS</p>	<p>H</p>  <p>M8*25 9PCS</p>	<p>I</p>  <p>M8*35 4PCS</p>
<p>J</p>  <p>φ6*40 8PCS</p>	<p>K</p>  <p>5*5 1PC</p>	<p>L</p>  <p>4*4 1PC</p>
<p>M</p>  <p>1PC</p>	<p>N</p>  <p>36PCS</p>	

Ruler - Use this ruler to help correctly identify the screws

0 5 10 15 20 25 30 35 40 45 50 55 60 65 70 75 80 85 90 95 100 105 110 115 120 125 130 135 140 145 150 155 160 165 170

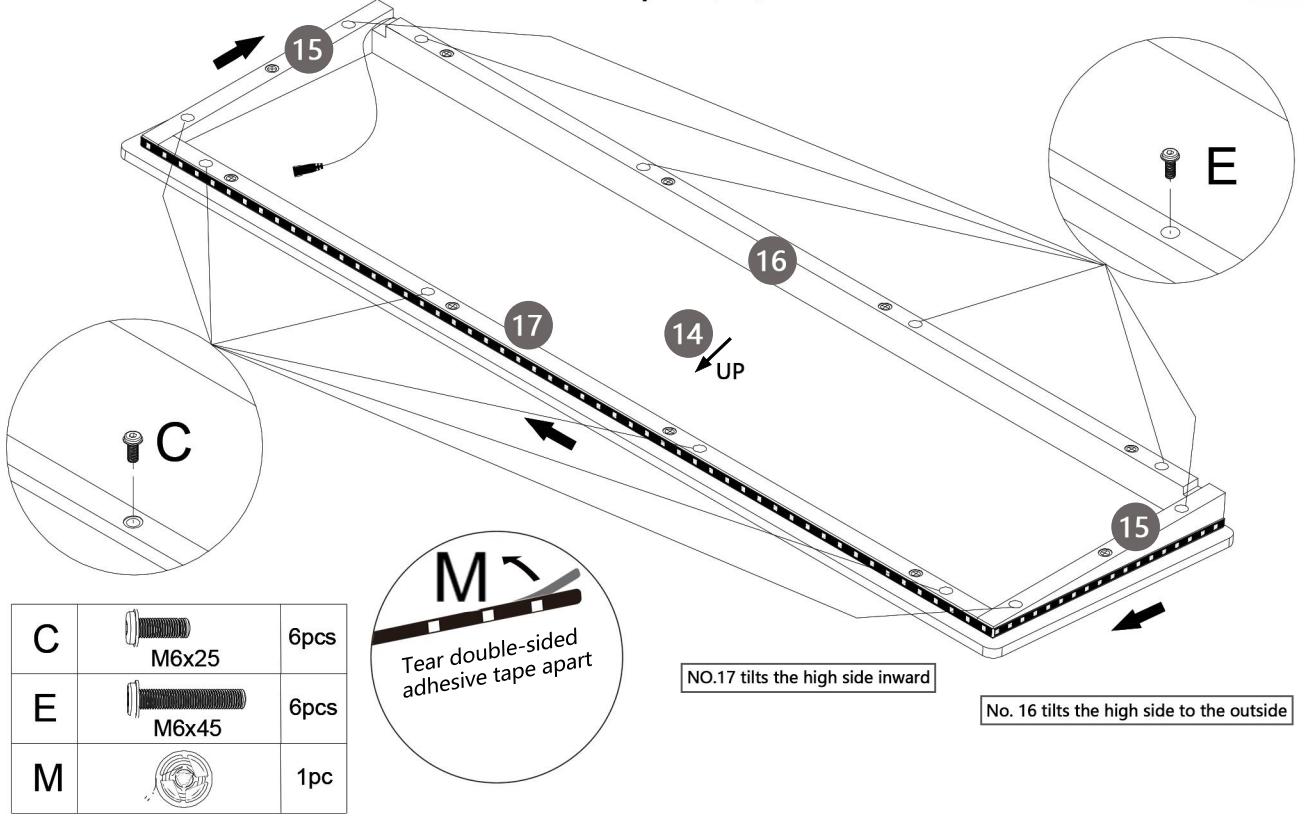


The screws length is measured from the head to the point (30mm screw shown).

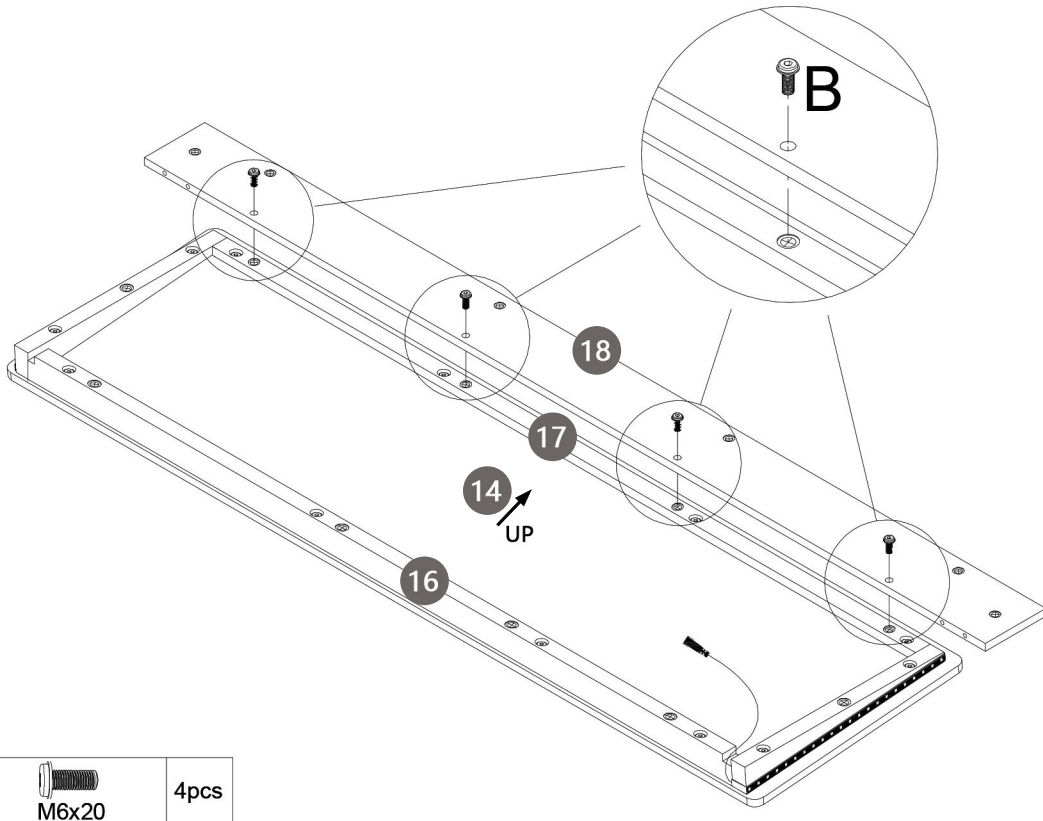
ASSEMBLY INSTRUCTIONS

Peel off the adhesive on the back of the LED strip, then stick it on part(14) in the direction of the arrow.

1

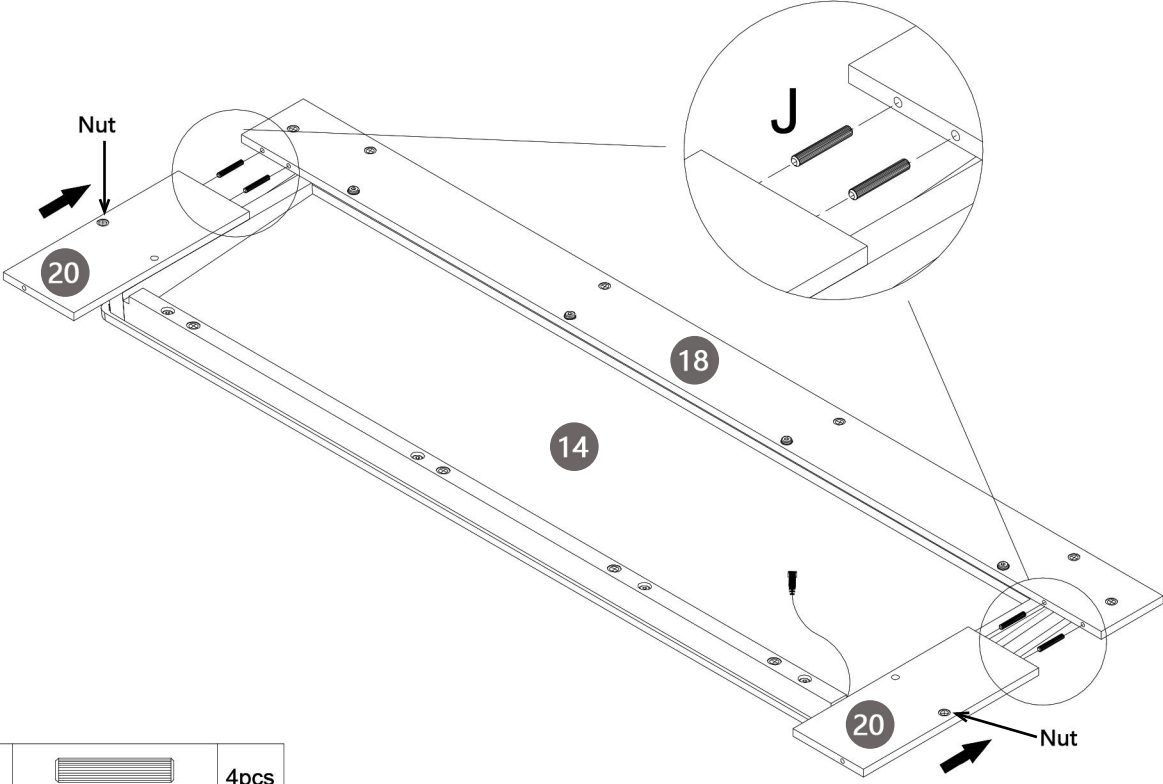



2



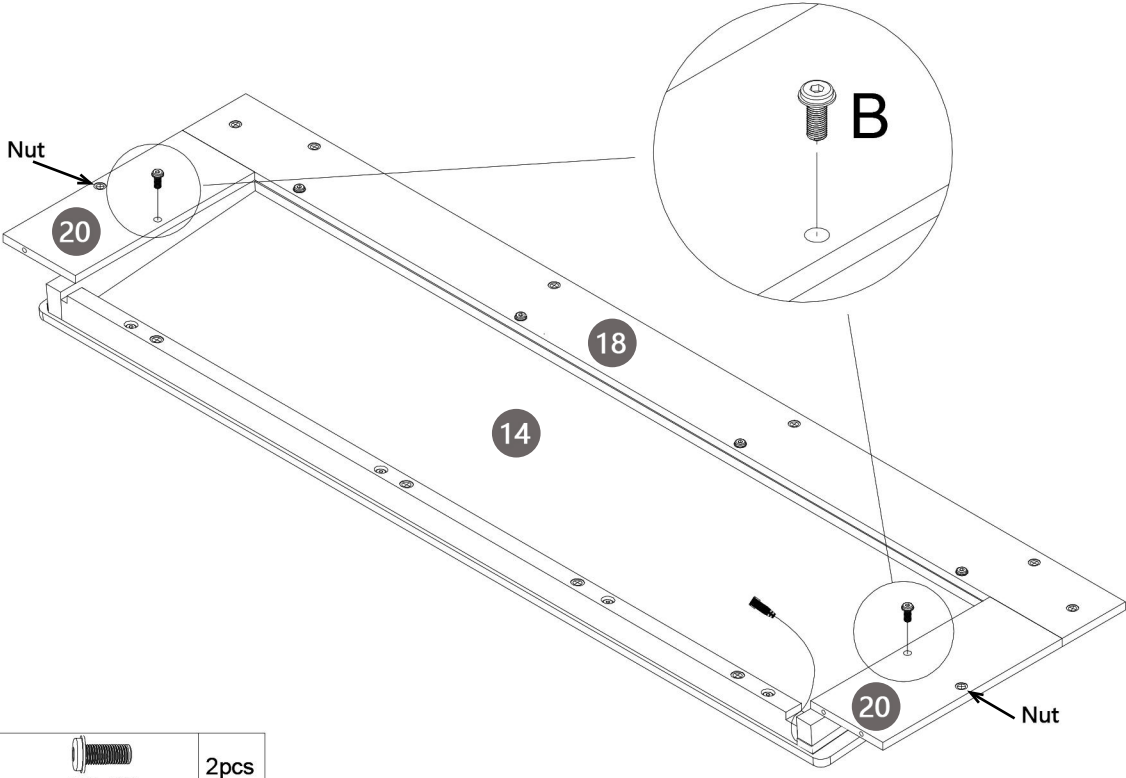
ASSEMBLY INSTRUCTIONS

3



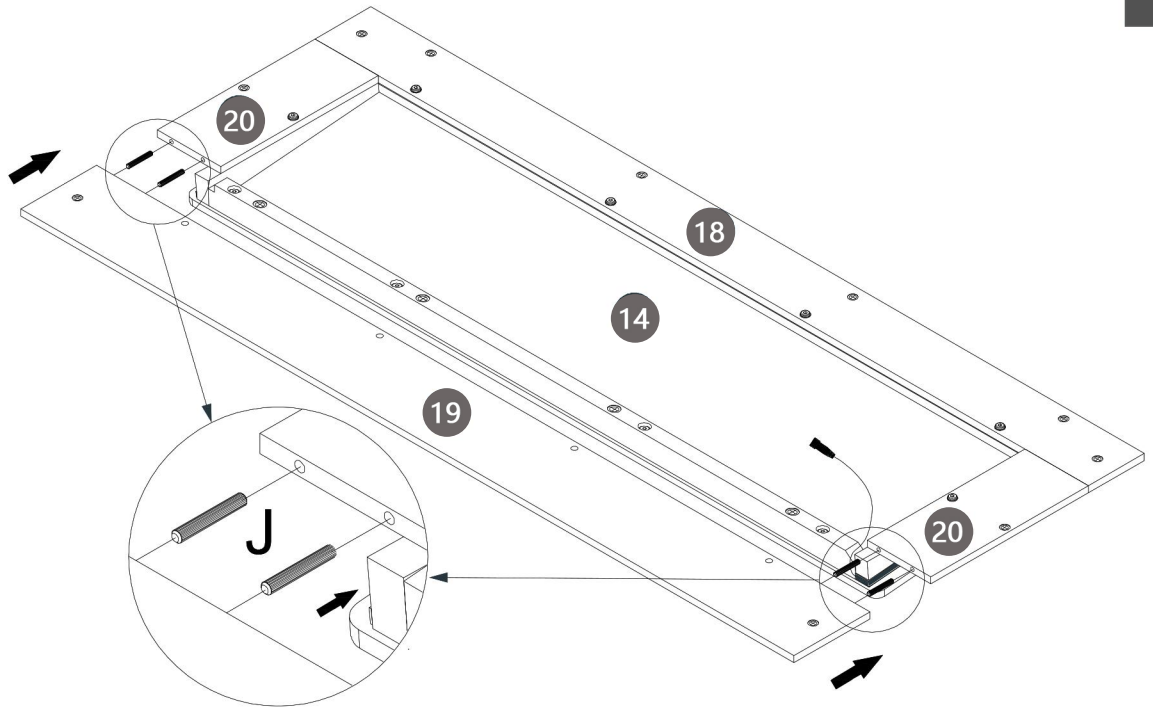
J		4pcs
	$\phi 6 \times 40$	


4



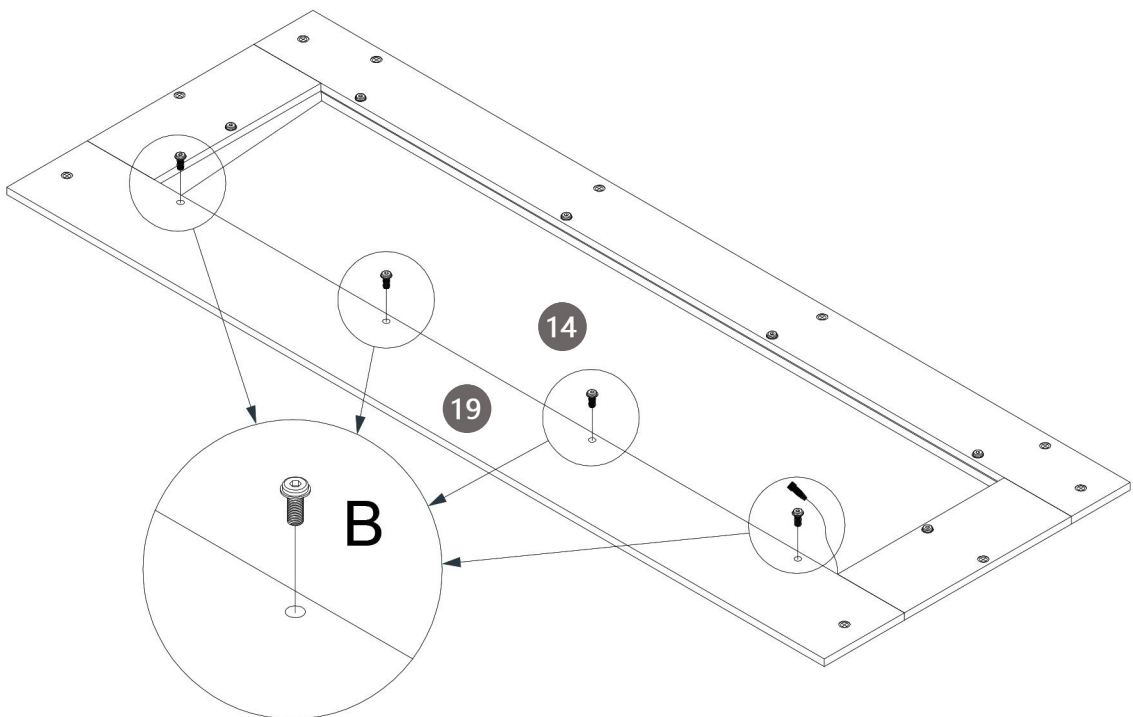
B		2pcs
	M6x20	

5



J		4pcs
	$\phi 6 \times 40$	

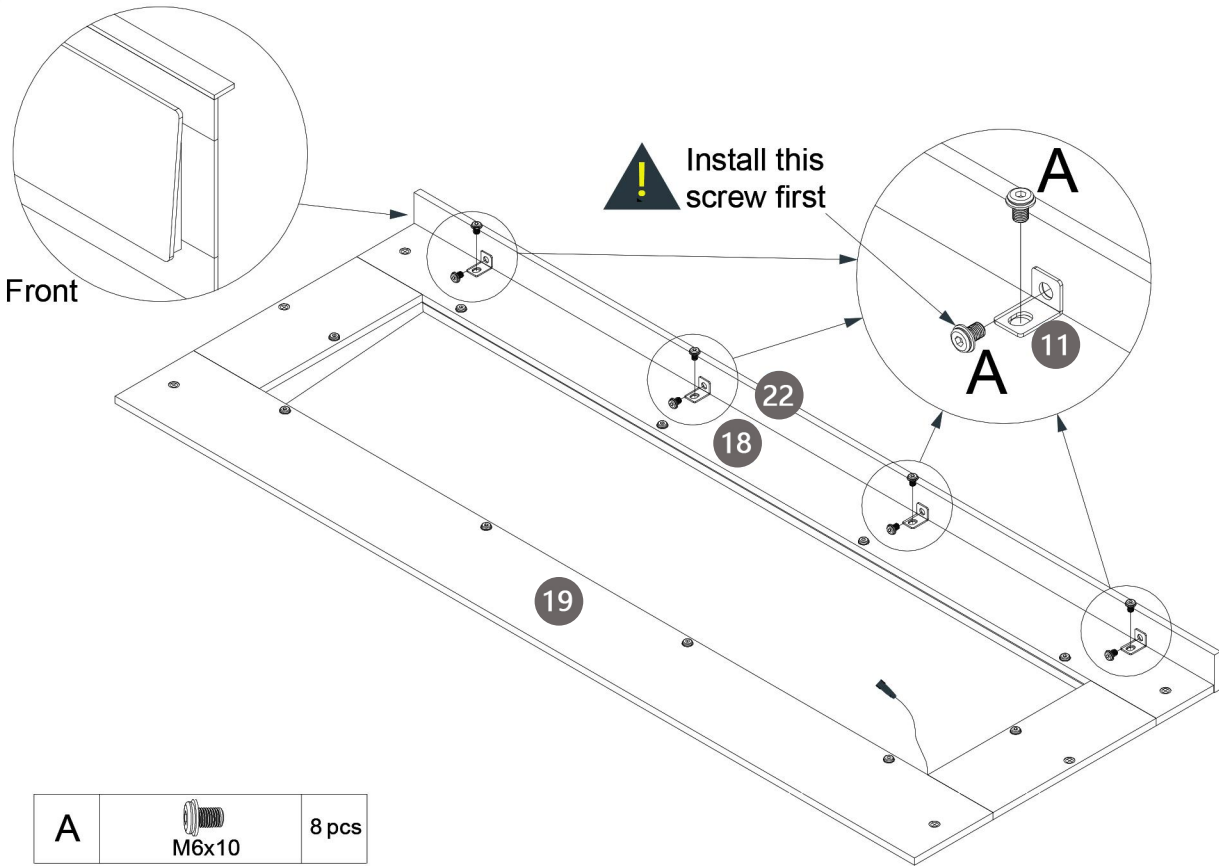
6



B		4pcs
	M6x20	

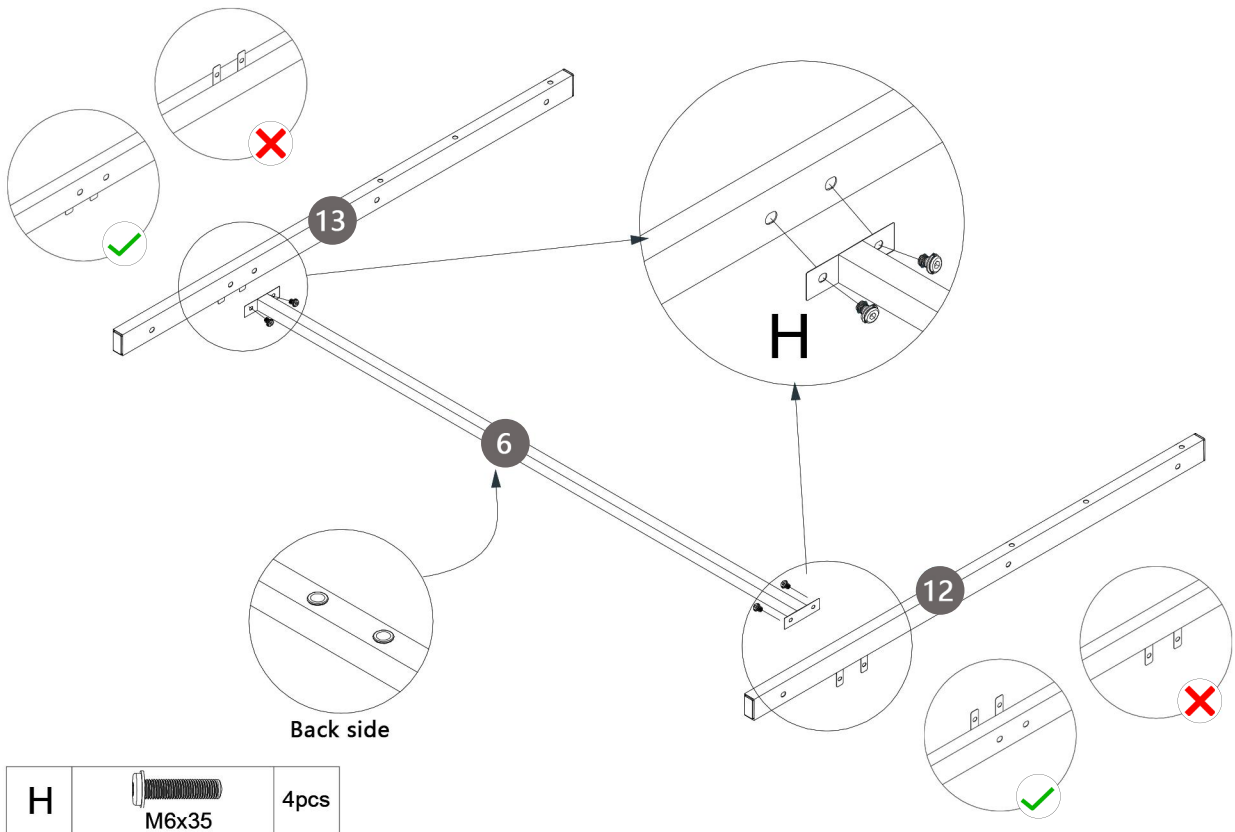
ASSEMBLY INSTRUCTIONS

7



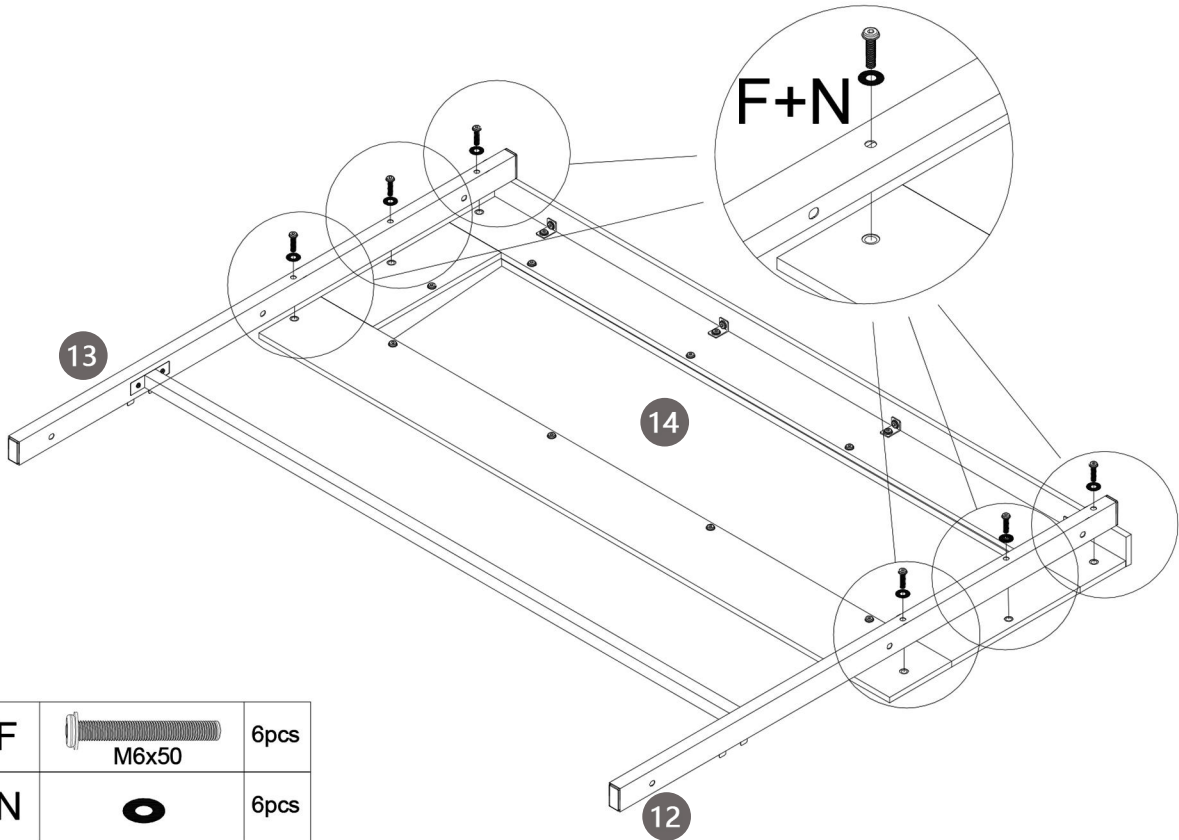
A	 M6x10	8 pcs
---	---------------------------------------------------------------------------------------------	-------



8



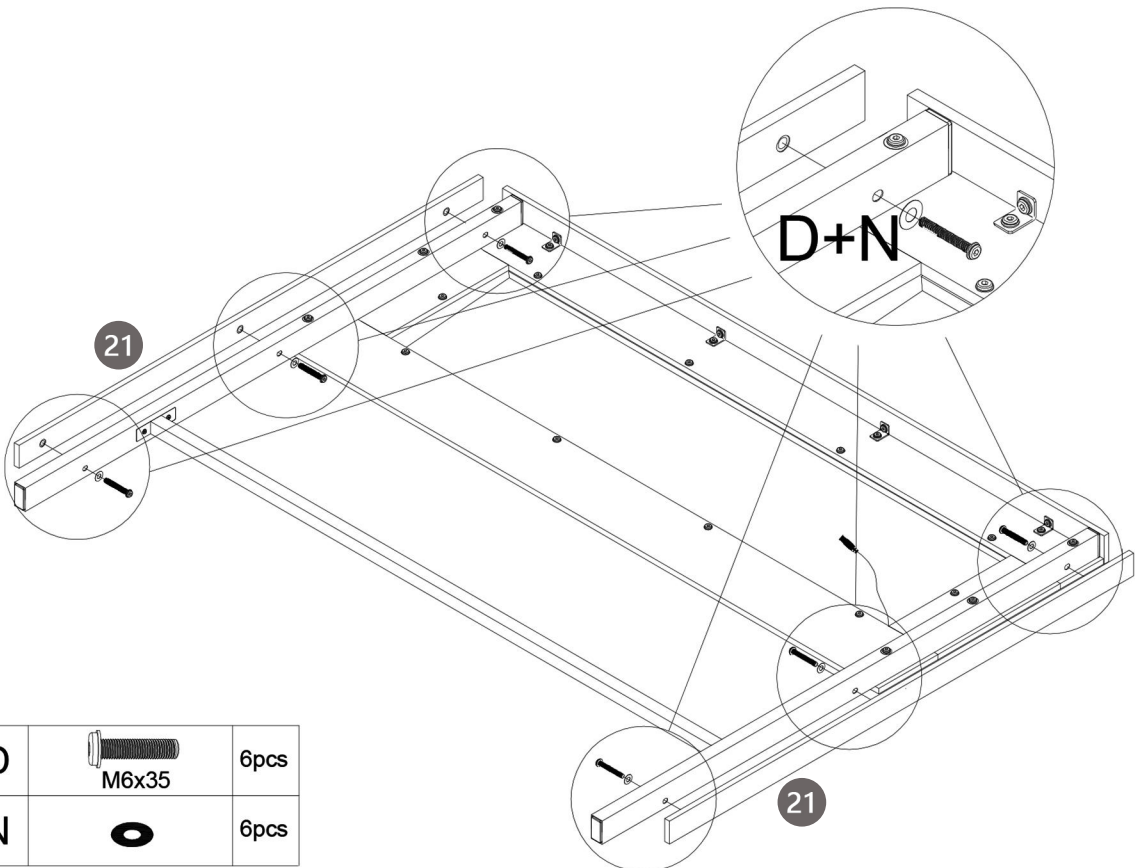
H	 M6x35	4 pcs
---	----------------------------------------------------------------------------------------------	-------



9



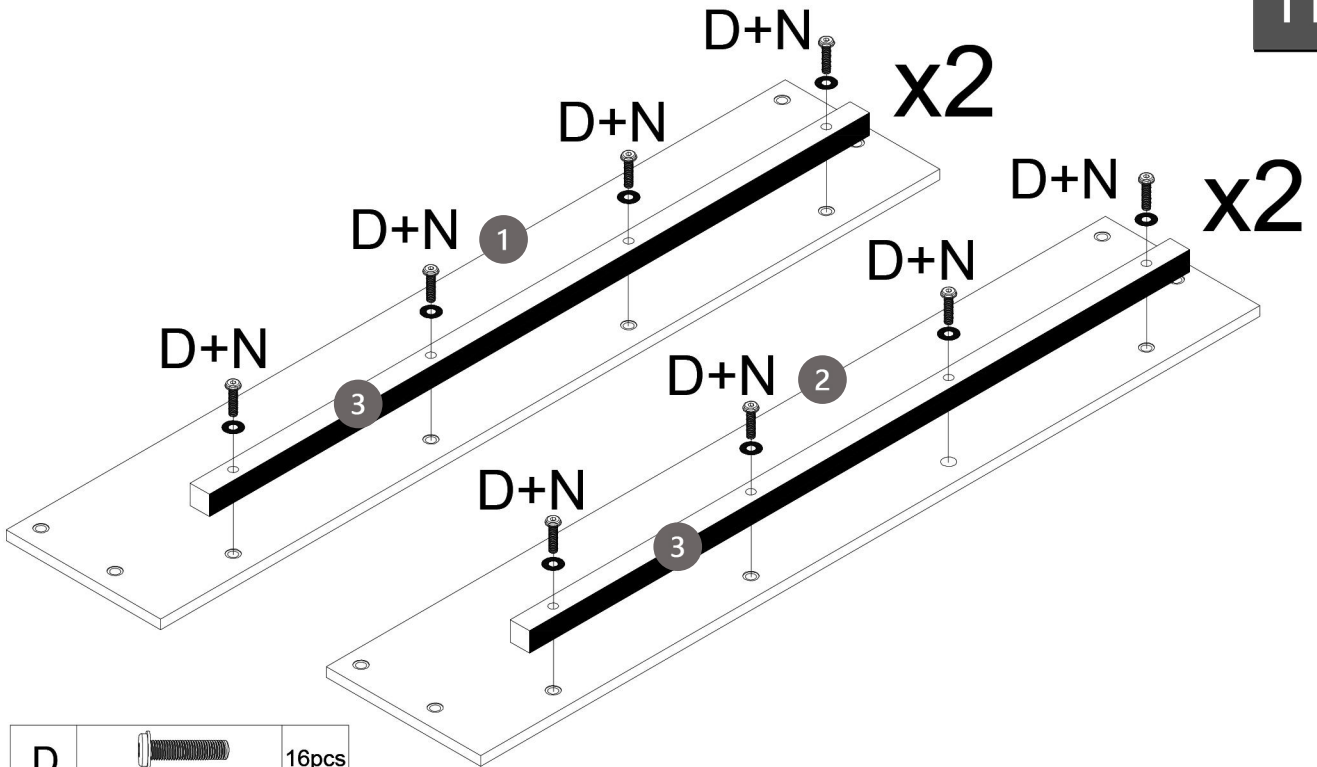
F	 M6x50	6pcs
N		6pcs



10



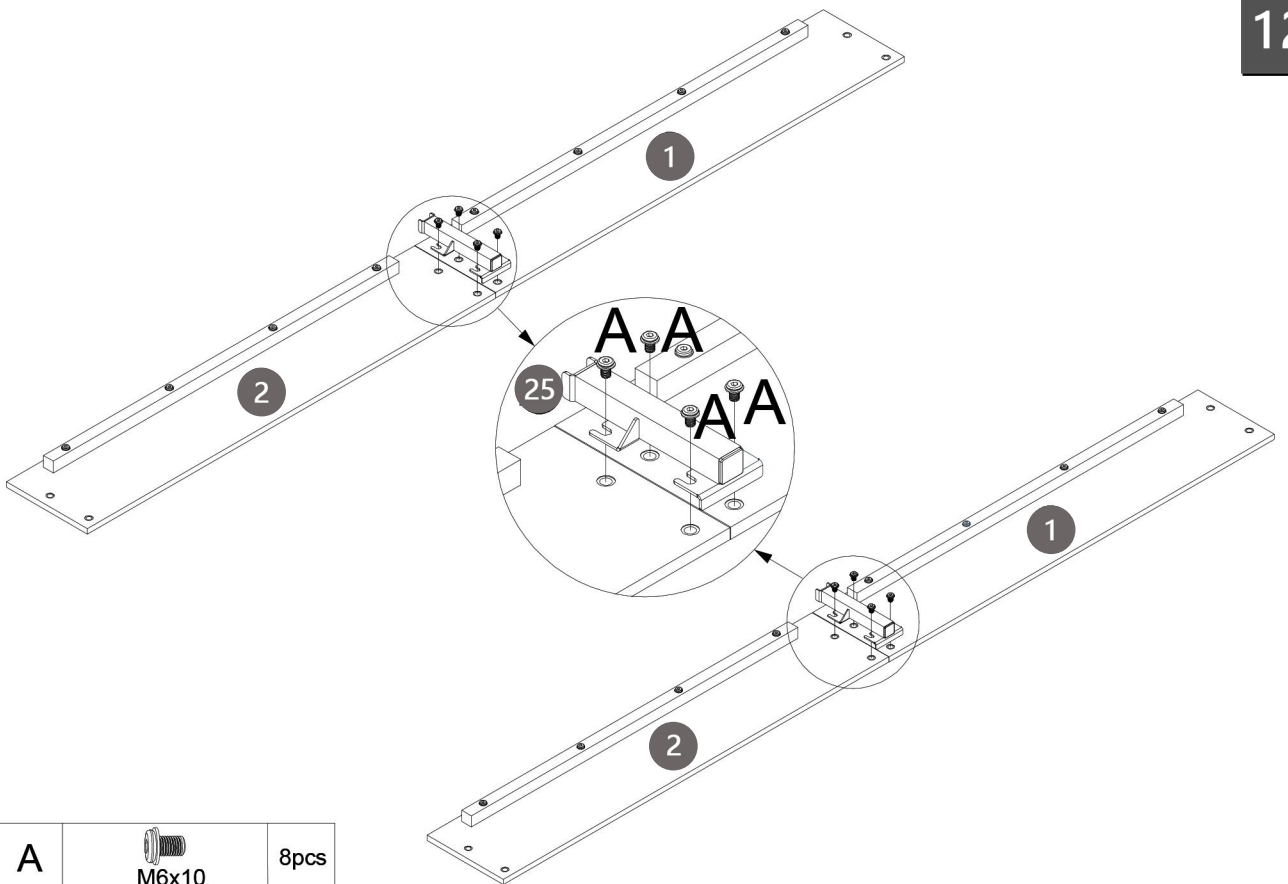
D	 M6x35	6pcs
N		6pcs

11



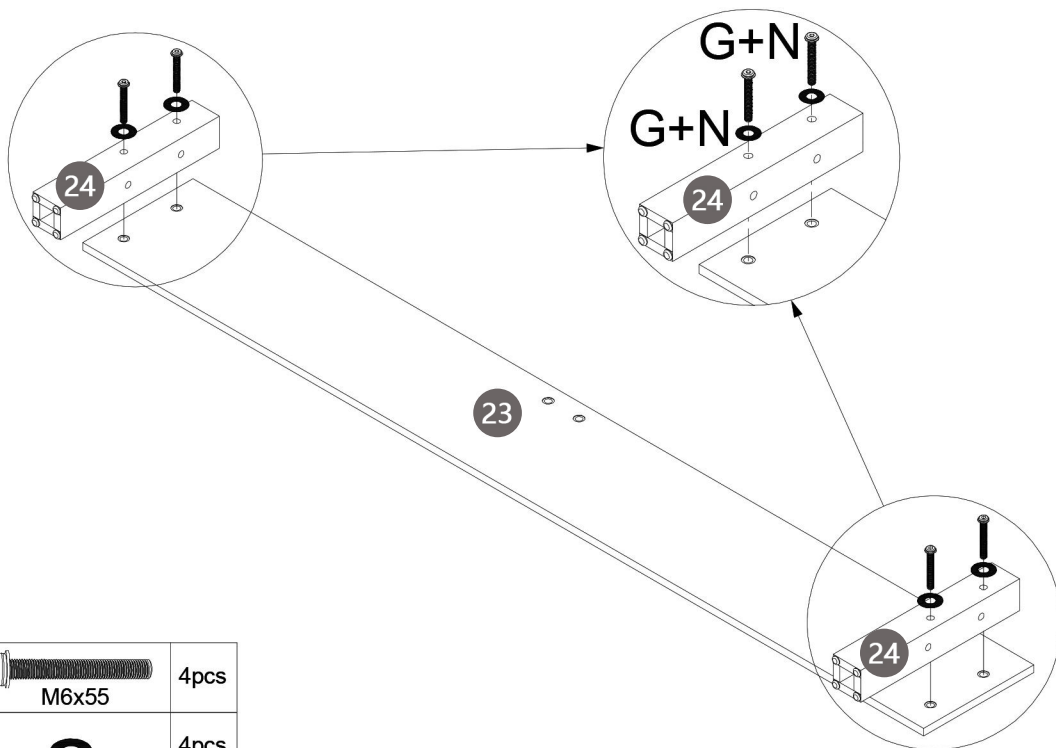
D	 M6x35	16pcs
N		16pcs


12



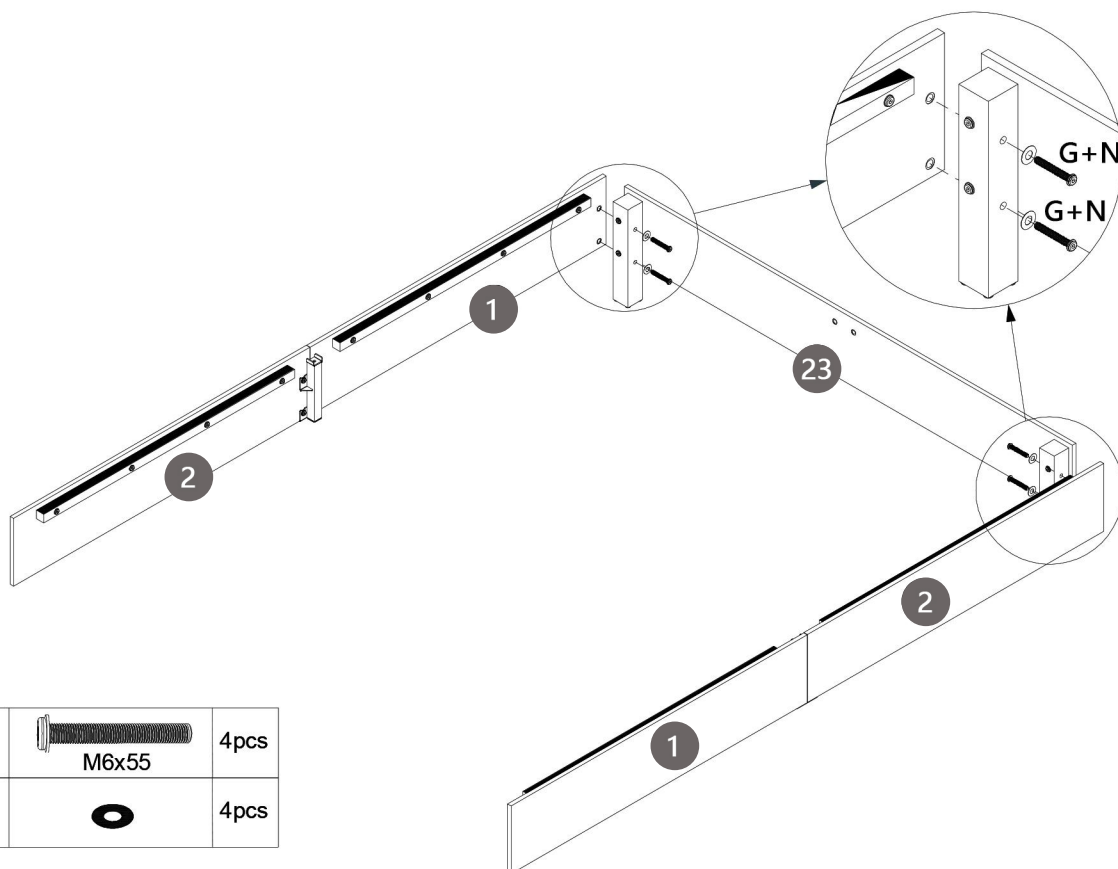
A	 M6x10	8pcs
---	----------------------------------------------------------------------------------------------	------


13



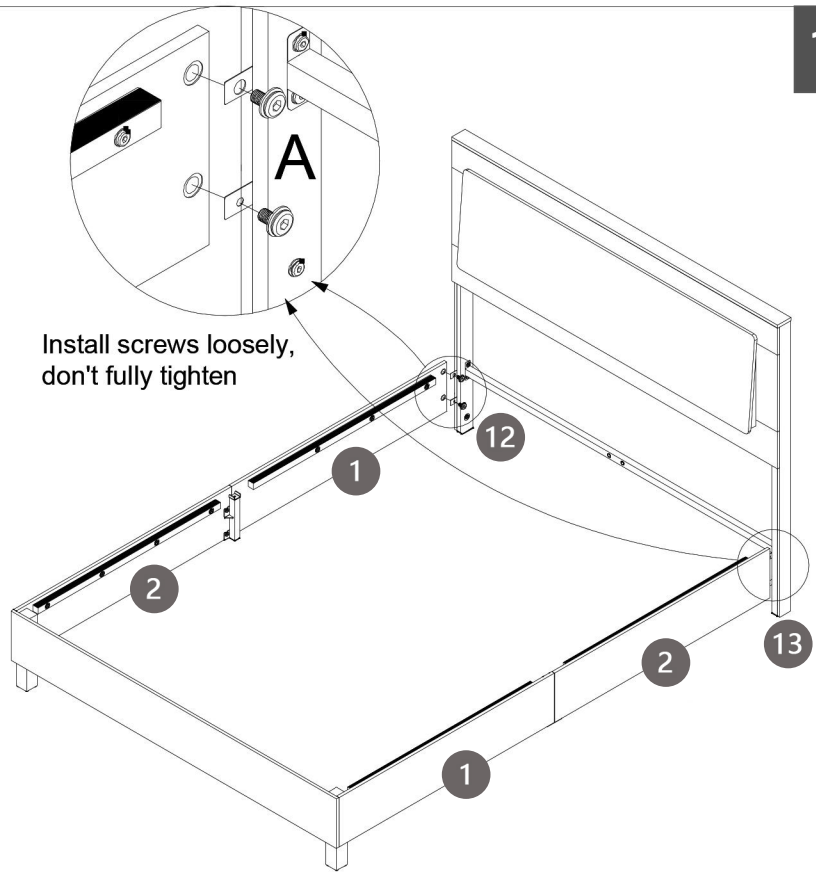
G	 M6x55	4pcs
N		4pcs

14



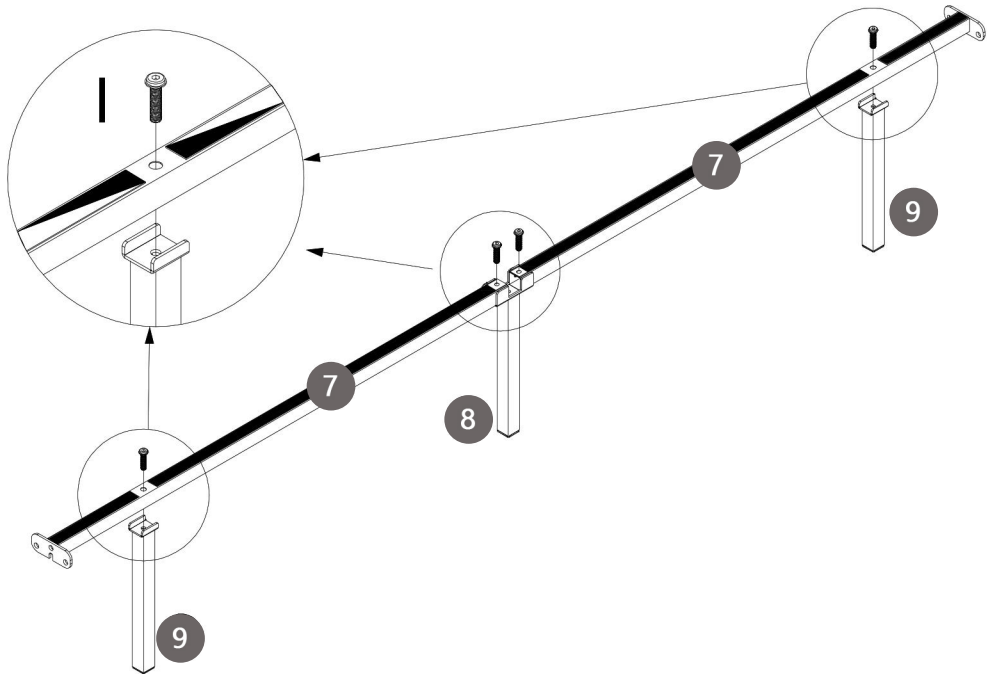
G	 M6x55	4pcs
N		4pcs

15




A		4pcs
---	------------------------------------------------------------------------------------	------

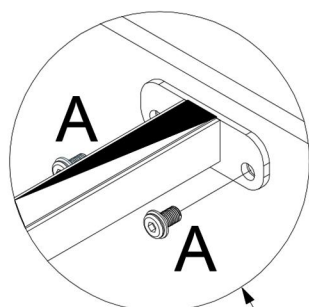
16



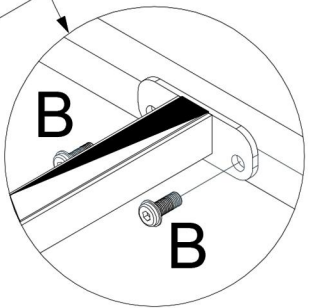
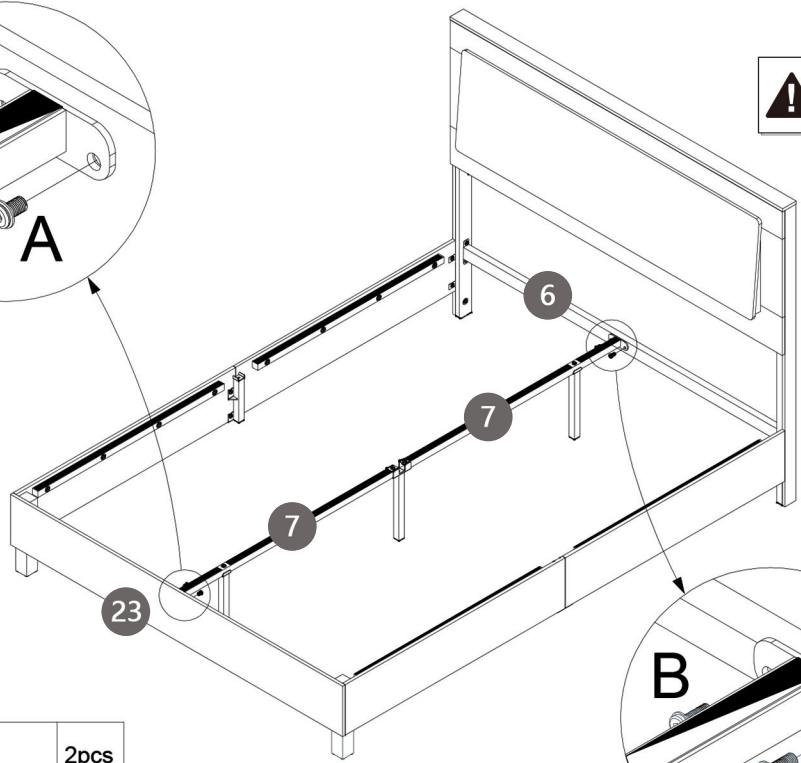
I		4pcs
---	-------------------------------------------------------------------------------------	------



 Do not fully tighten the screws yet.

17

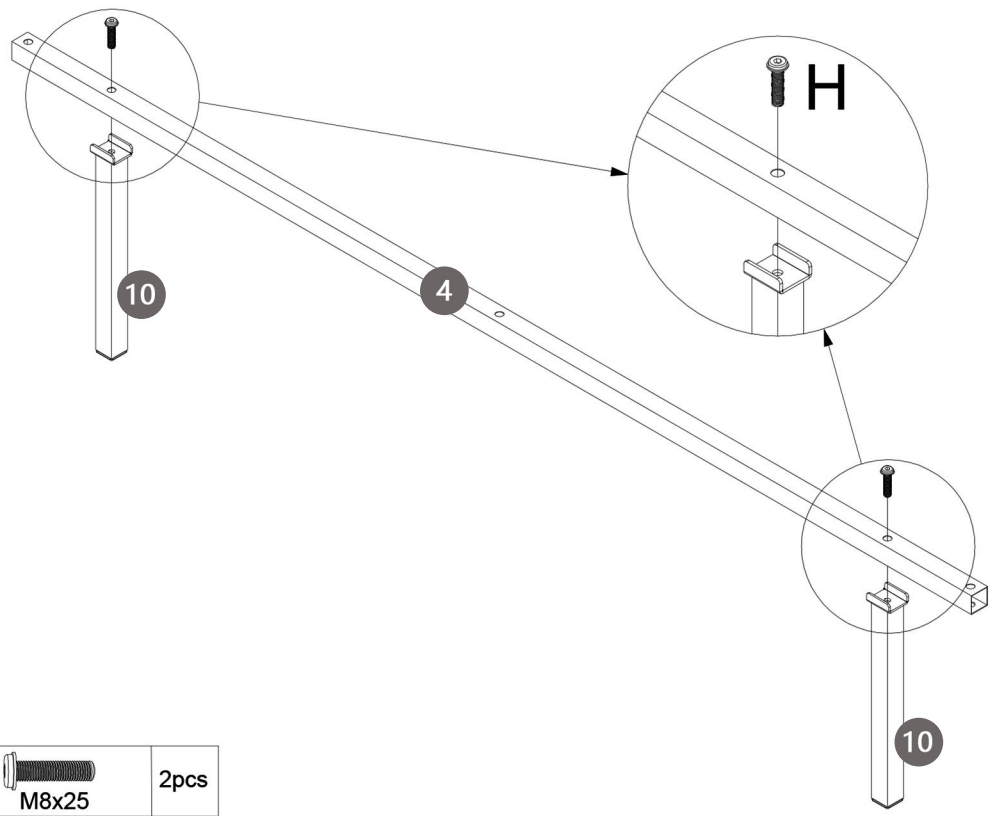


! The screws in this step need to be tightened.



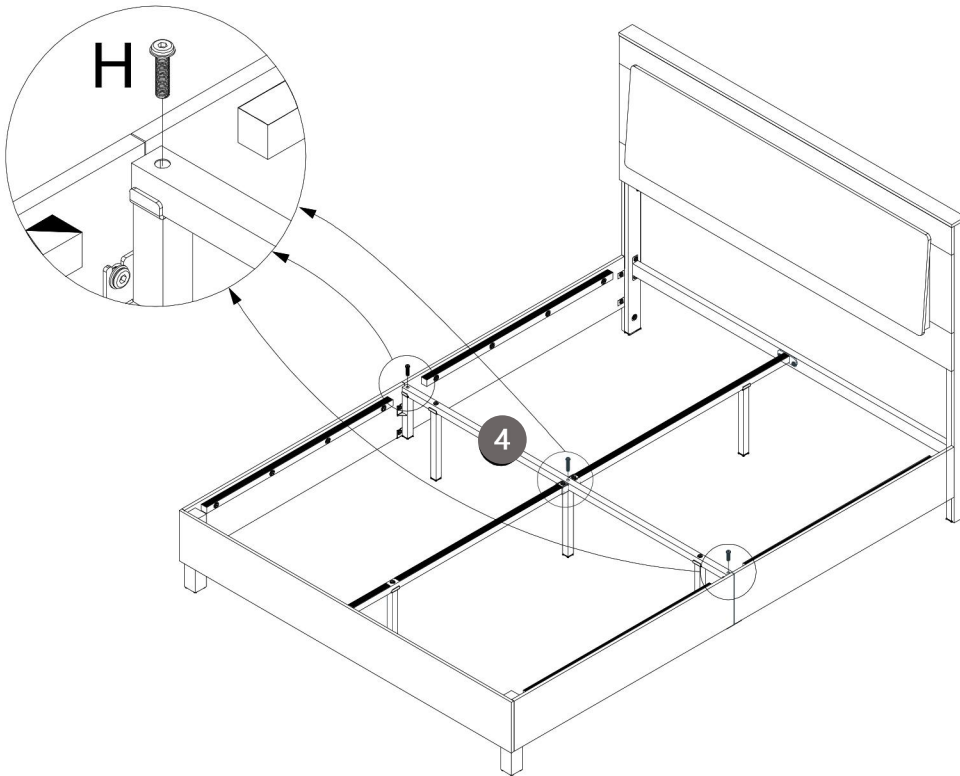
B	 M6x10	2pcs
C	 M6x20	2pcs

18



H	 M8x25	2pcs
----------	----------------------------------------------------------------------------------------------	------

19

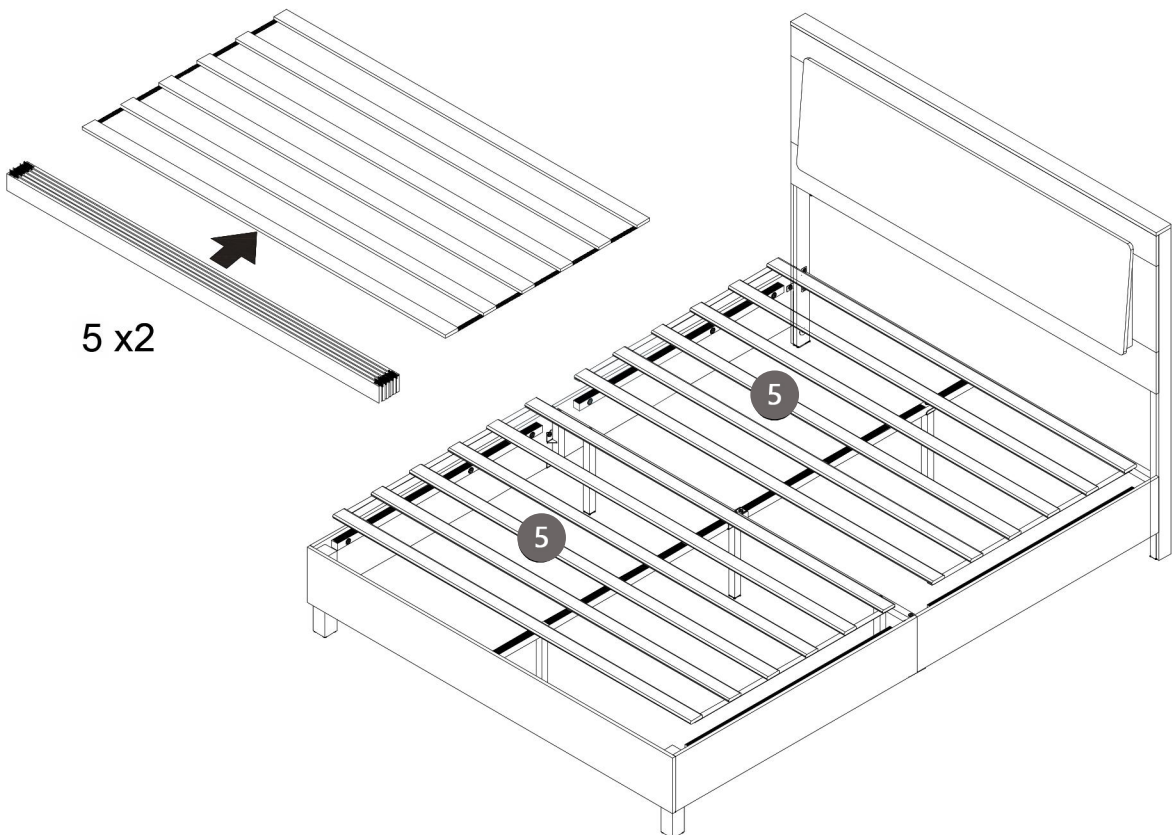


H



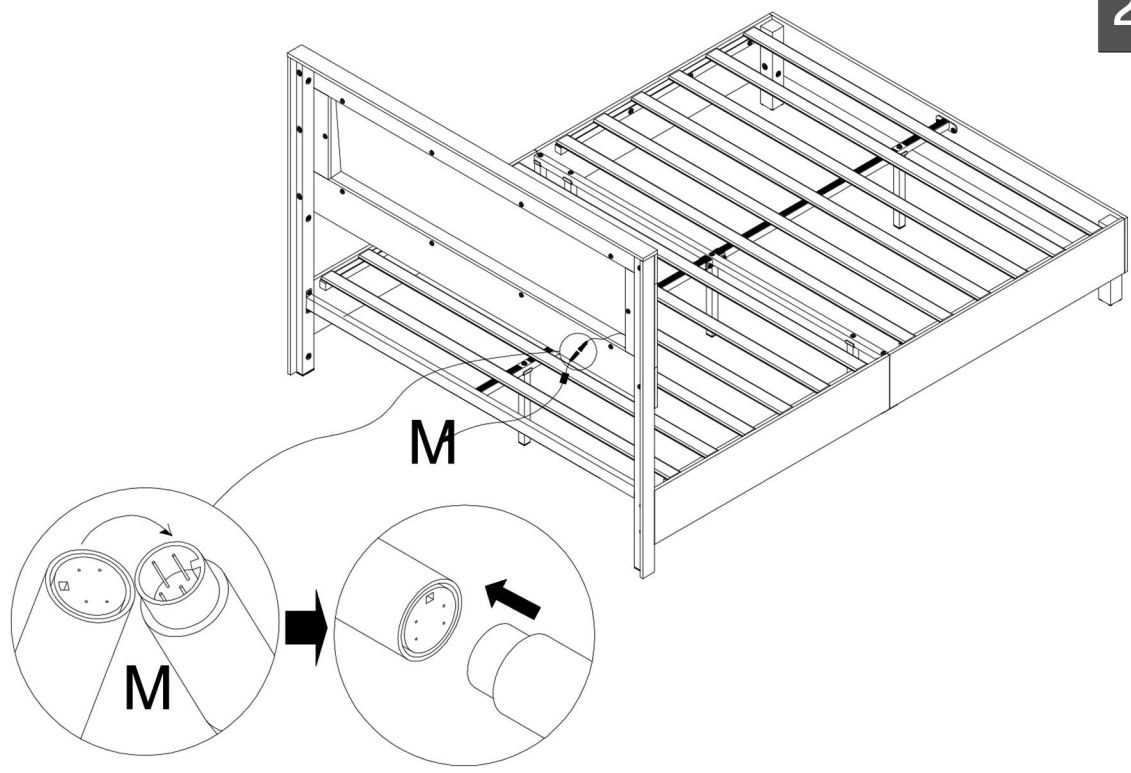
3pcs


20



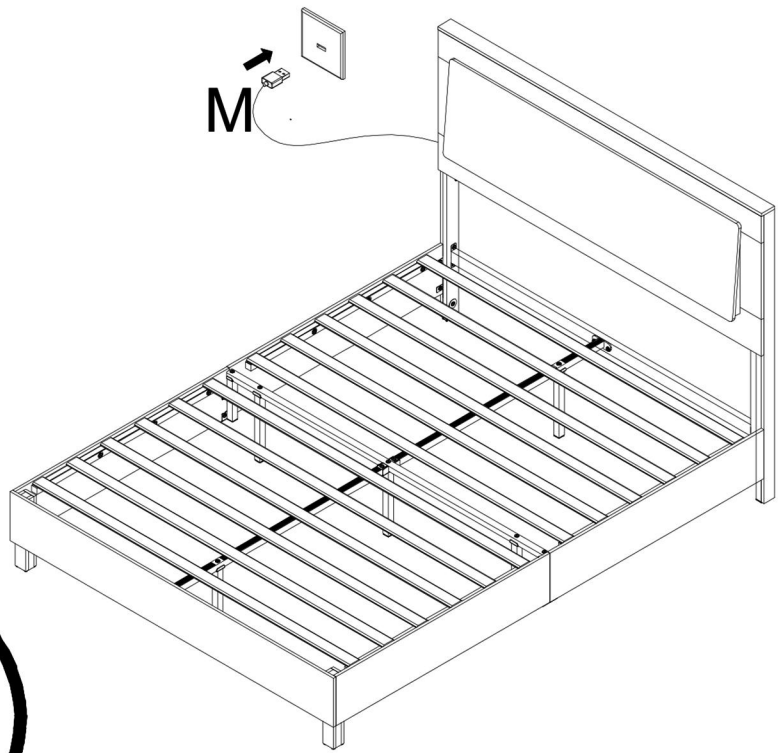
5 x 2

21



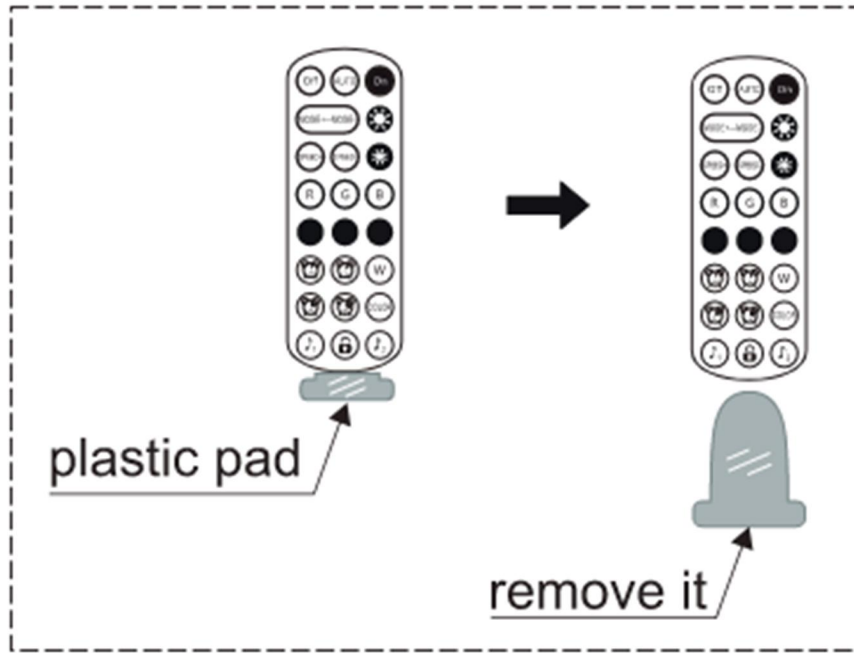
M		1pc
---	------------------------------------------------------------------------------------	-----

22



Installation Complete

ASSEMBLY INSTRUCTIONS



Remove the plastic pad on the remote control after the installation was complete and start the remote operation without direction restriction.