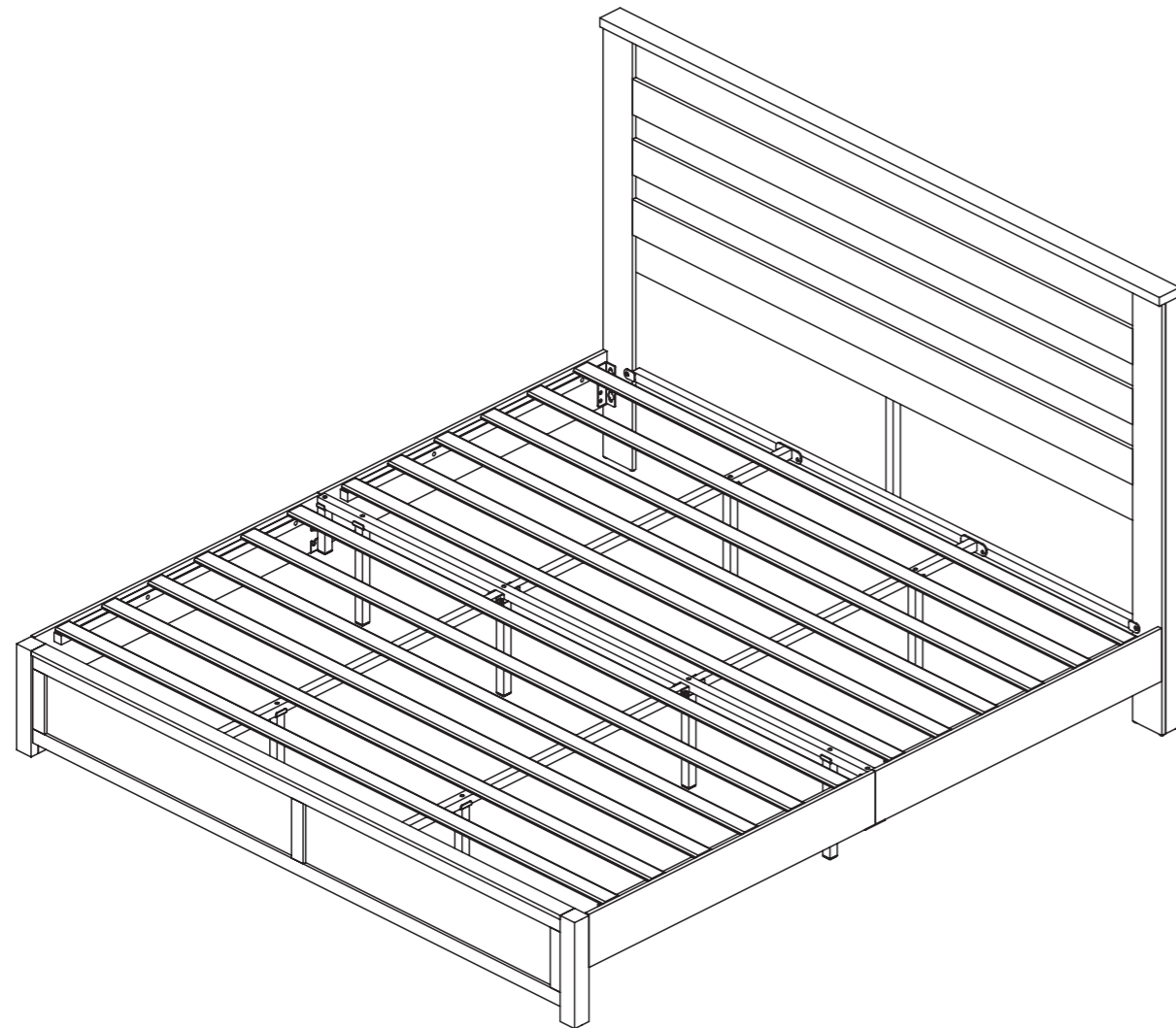


Panel Bed Assembly Instructions



Friendly Customer Service

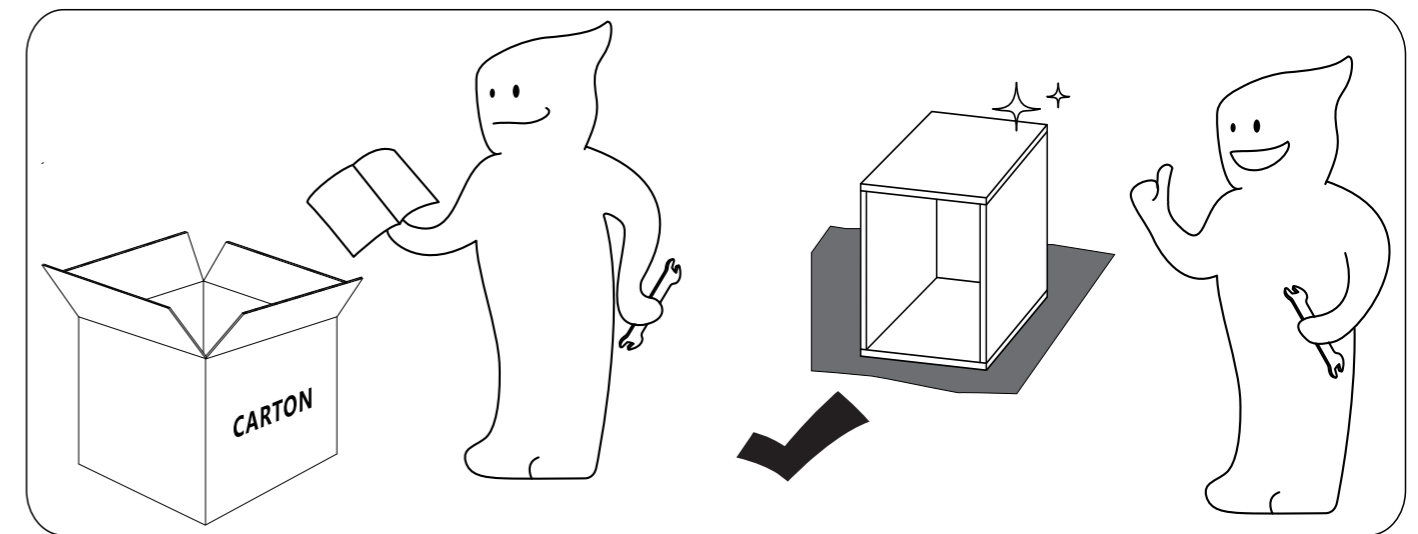
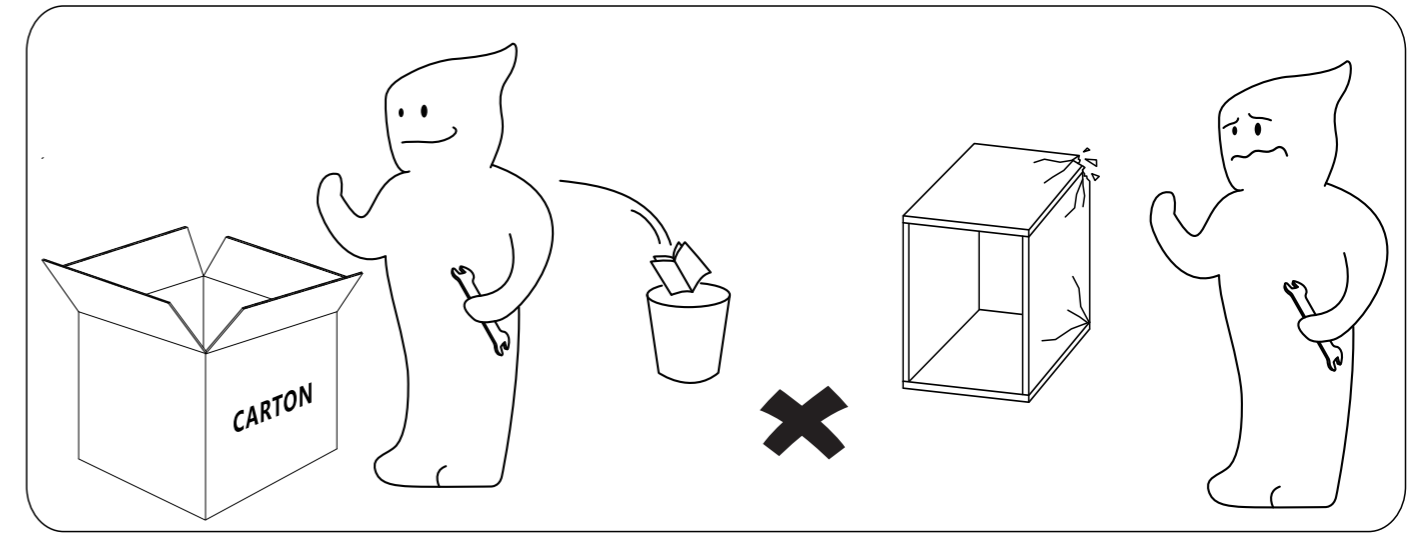
Satisfaction Guarantees: Any problems with assembly, quality, or return, please feel free to contact us directly.

Contact us

Phone: +1 (901) 347-2181 (US) Mon-Fri 9am - 5pm (PST)
E-Mail: support@jocisland.com (Get efficient answer within 12 hours)



Please follow the instruction manuals and use a pad to protect the product during your assembly.



Note:

1. Should be assembled on flat ground to keep balance.
2. Before completing the installation, do not tighten the screws.

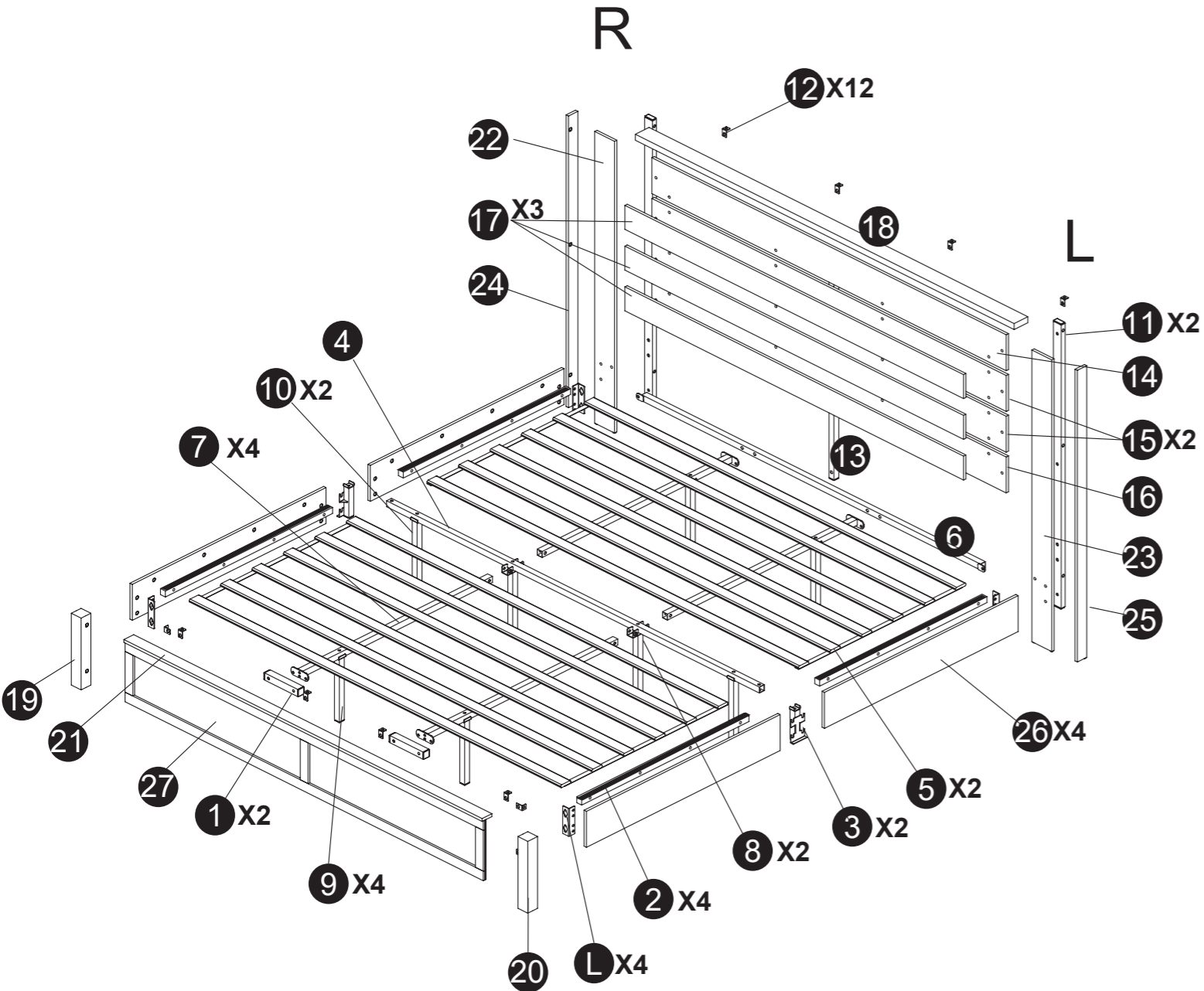


For easier and better assembly, **2** or more adults are required.

ASSEMBLY INSTRUCTIONS

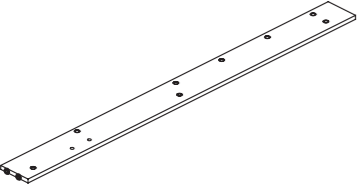
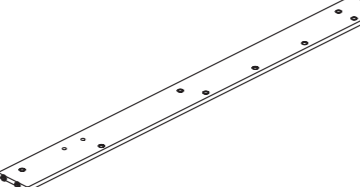
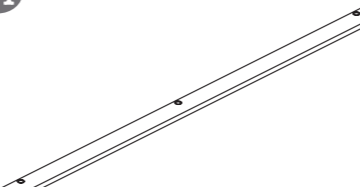
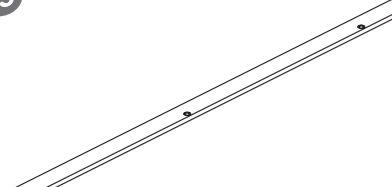
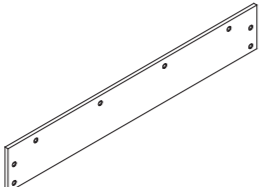
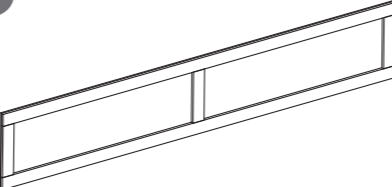
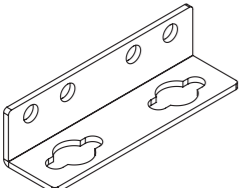



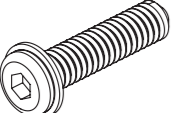
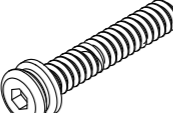
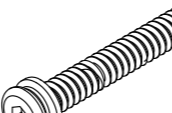
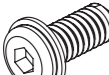
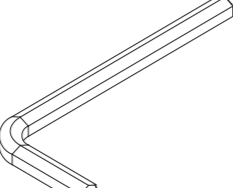
ASSEMBLY INSTRUCTIONS

PARTS LIST

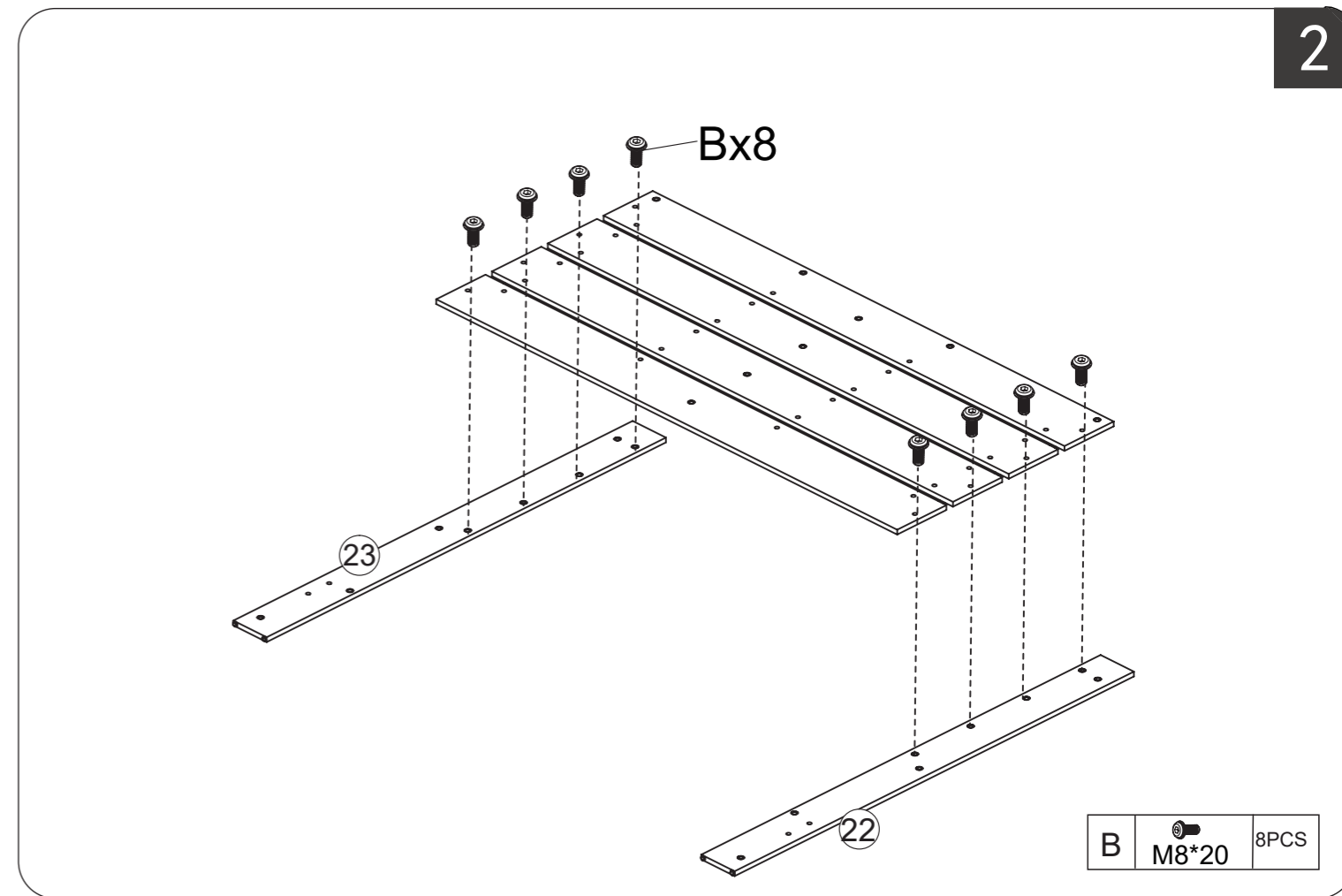
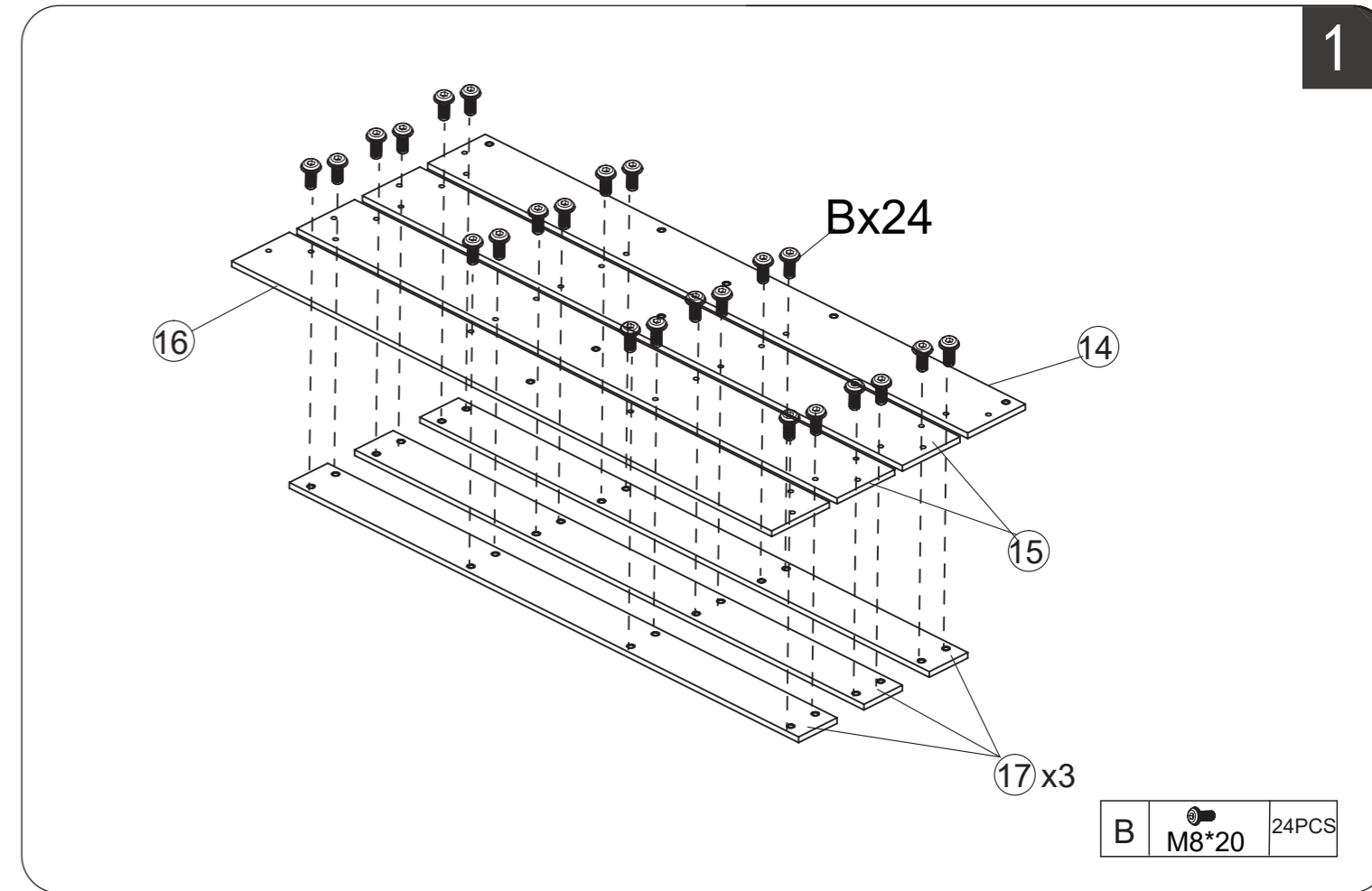


1 2PCS	2 4PCS	3 2PCS
4 1PC	5 2PCS	6 1PC
7 4PCS	8 2PCS	9 4PCS
10 2PCS	11 2PCS	12 12PCS
13 1PC	14 1PC	15 2PCS
16 1PC	17 3PCS	18 1PC
19 1PC	20 1PC	21 1PC

ASSEMBLY INSTRUCTIONS

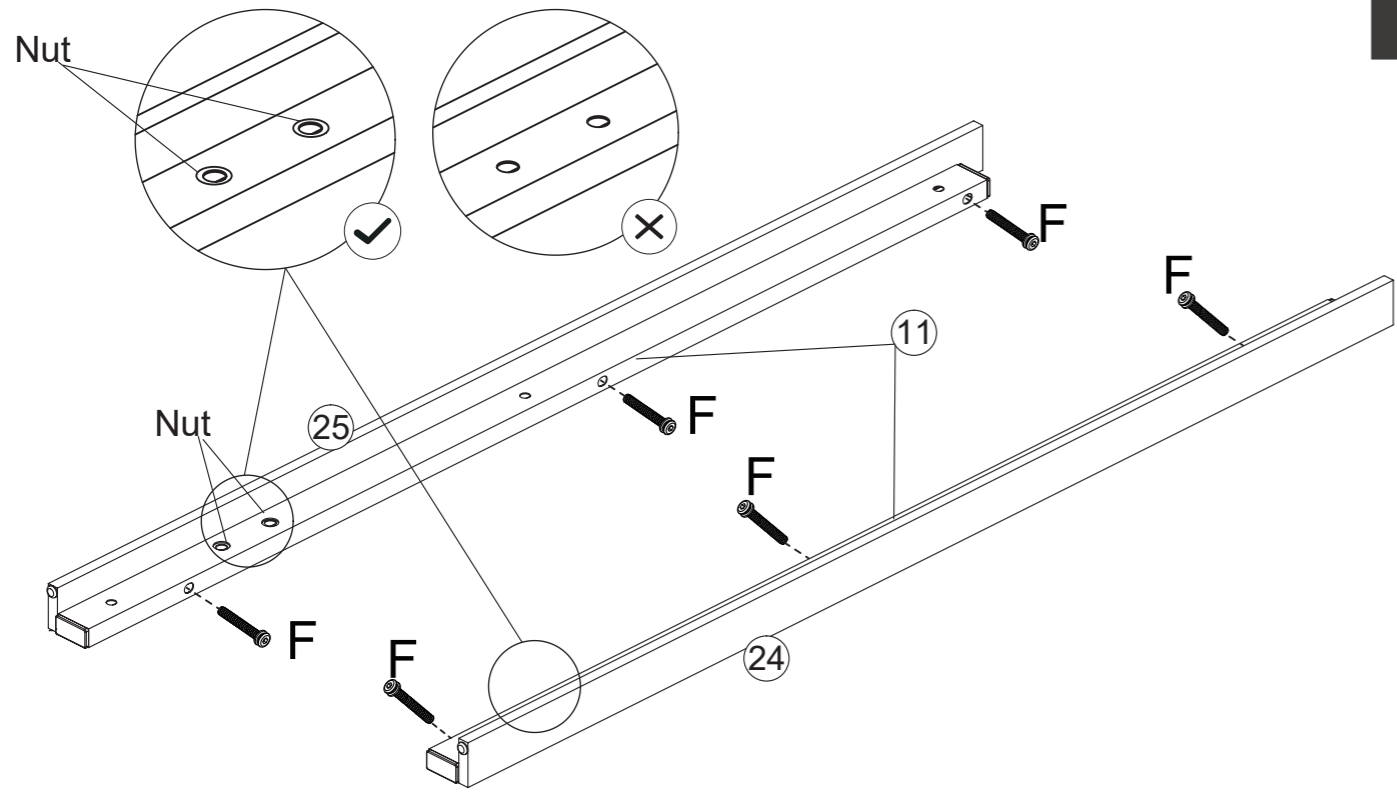
<p>22</p>  <p>1PC</p>	<p>23</p>  <p>1PC</p>	<p>24</p>  <p>1PC</p>
<p>25</p>  <p>1PC</p>	<p>26</p>  <p>4PCS</p>	<p>27</p>  <p>1PC</p>
<p>L</p>  <p>4PCS</p>		
<p>A</p>  <p>M8*12 42PCS</p>	<p>B</p>  <p>M8*20 40PCS</p>	<p>C</p>  <p>M8*30 6PCS</p>
<p>D</p>  <p>M8*35 Color Zinc 25PCS</p>	<p>E</p>  <p>M8*40 18PCS</p>	<p>F</p>  <p>M8*50 6PCS</p>
<p>G</p>  <p>M8*18 Color Zinc 4PCS</p>	<p>H</p>  <p>M8 1PC</p>	

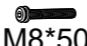
ASSEMBLY INSTRUCTIONS



ASSEMBLY INSTRUCTIONS

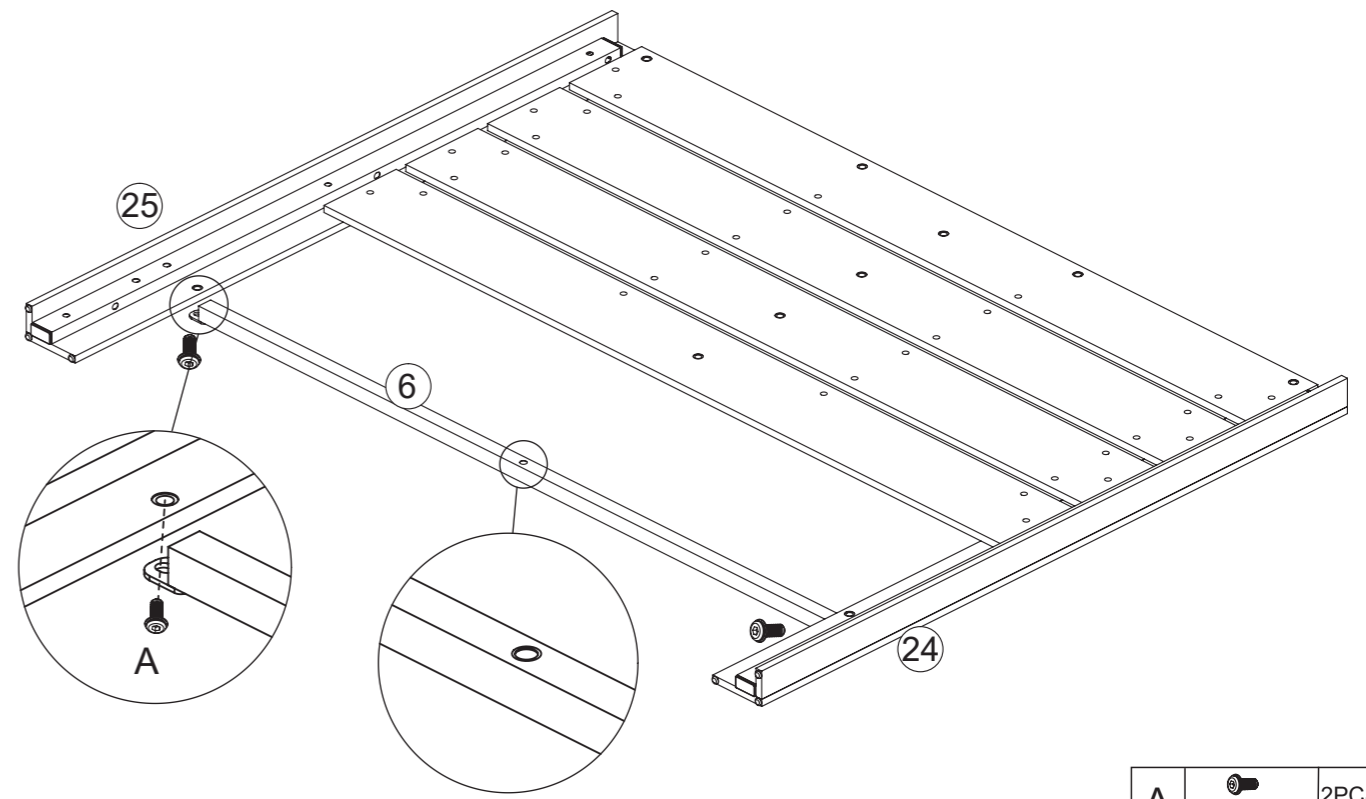
3



F		M8*50	6PCS
---	--	-------	------

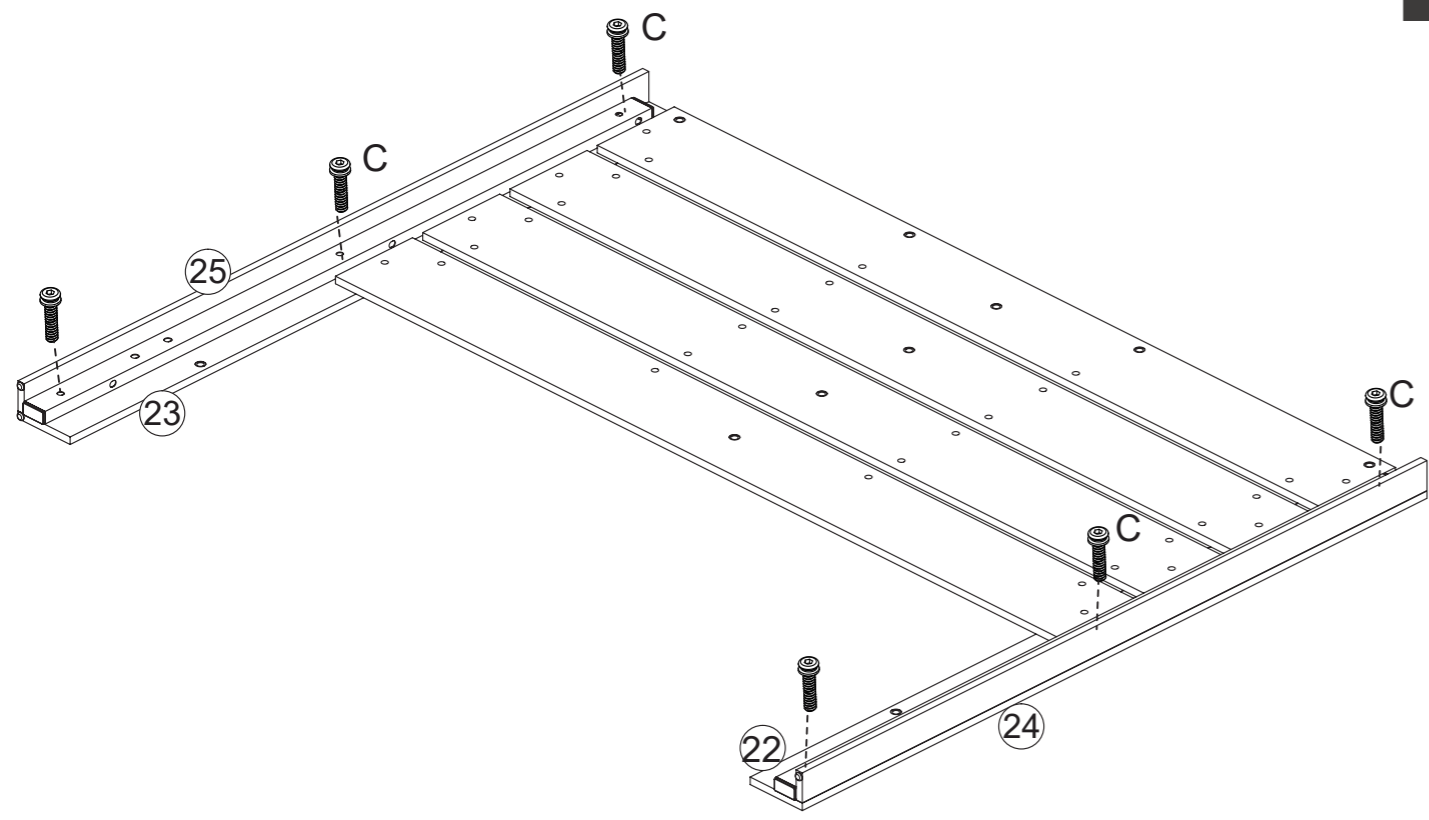
ASSEMBLY INSTRUCTIONS


5



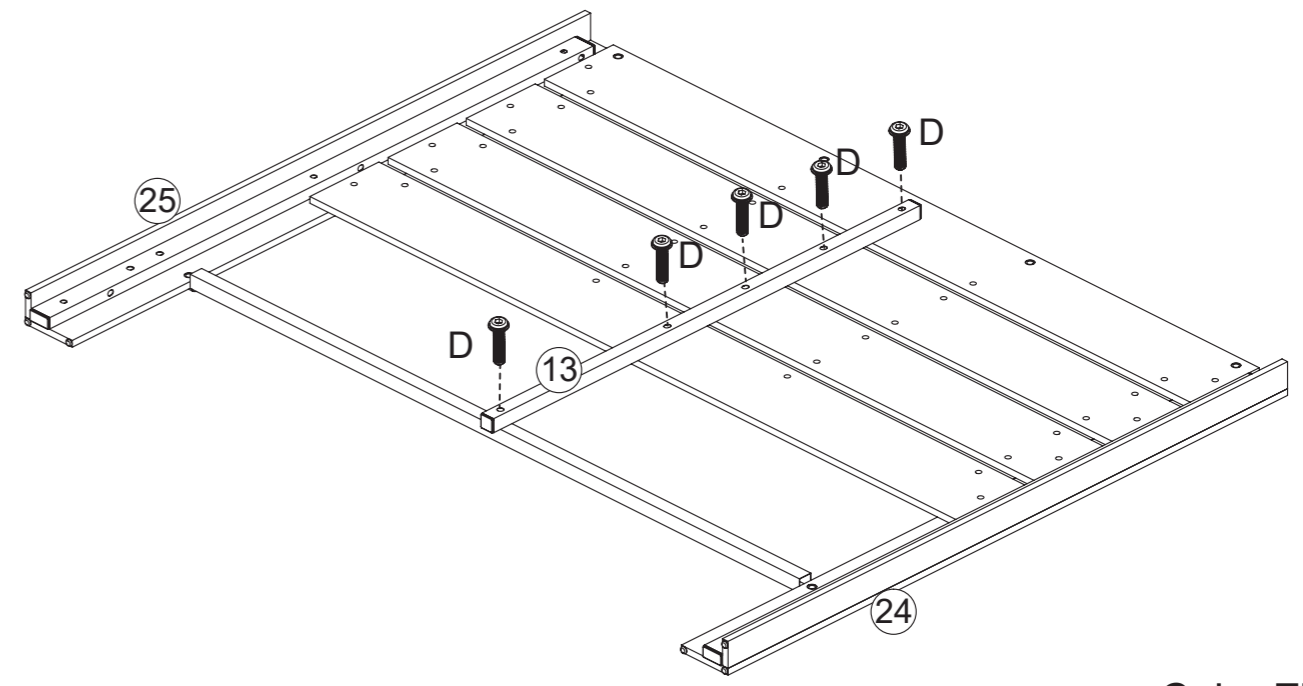
A		M8*12	2PCS
---	--	-------	------

4




C		M8*30	6PCS
---	---	-------	------

6

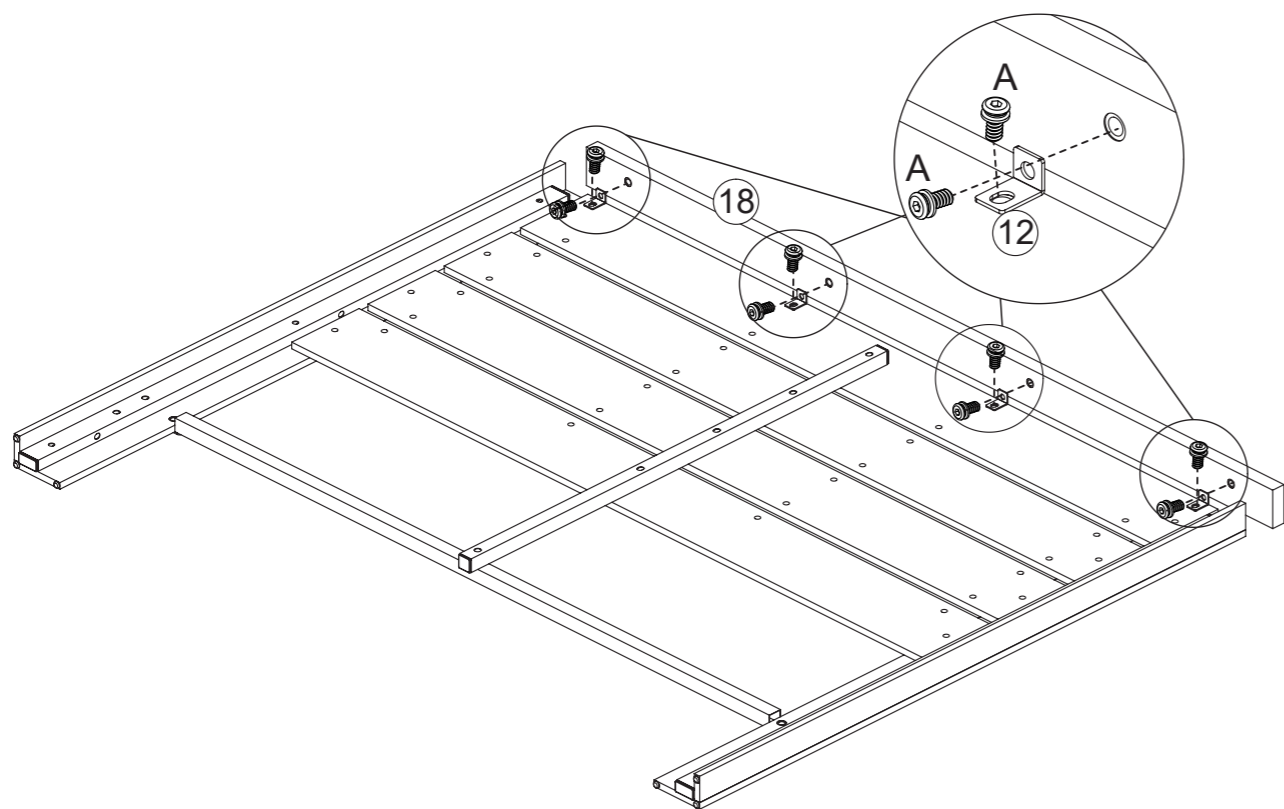


Color Zinc

D		M8*35	5PCS
---	---	-------	------

ASSEMBLY INSTRUCTIONS

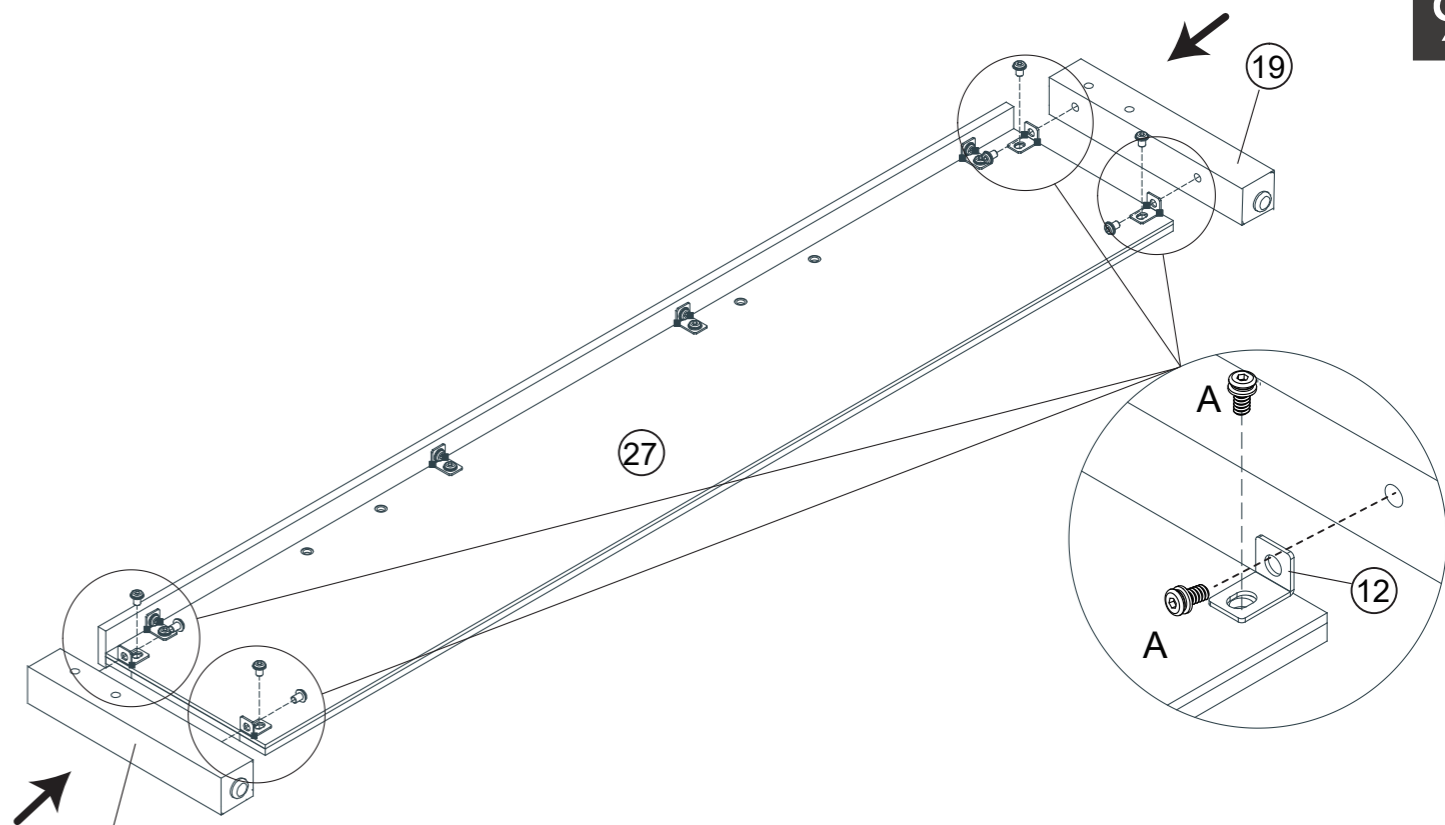
7



A M8*12 8PCS

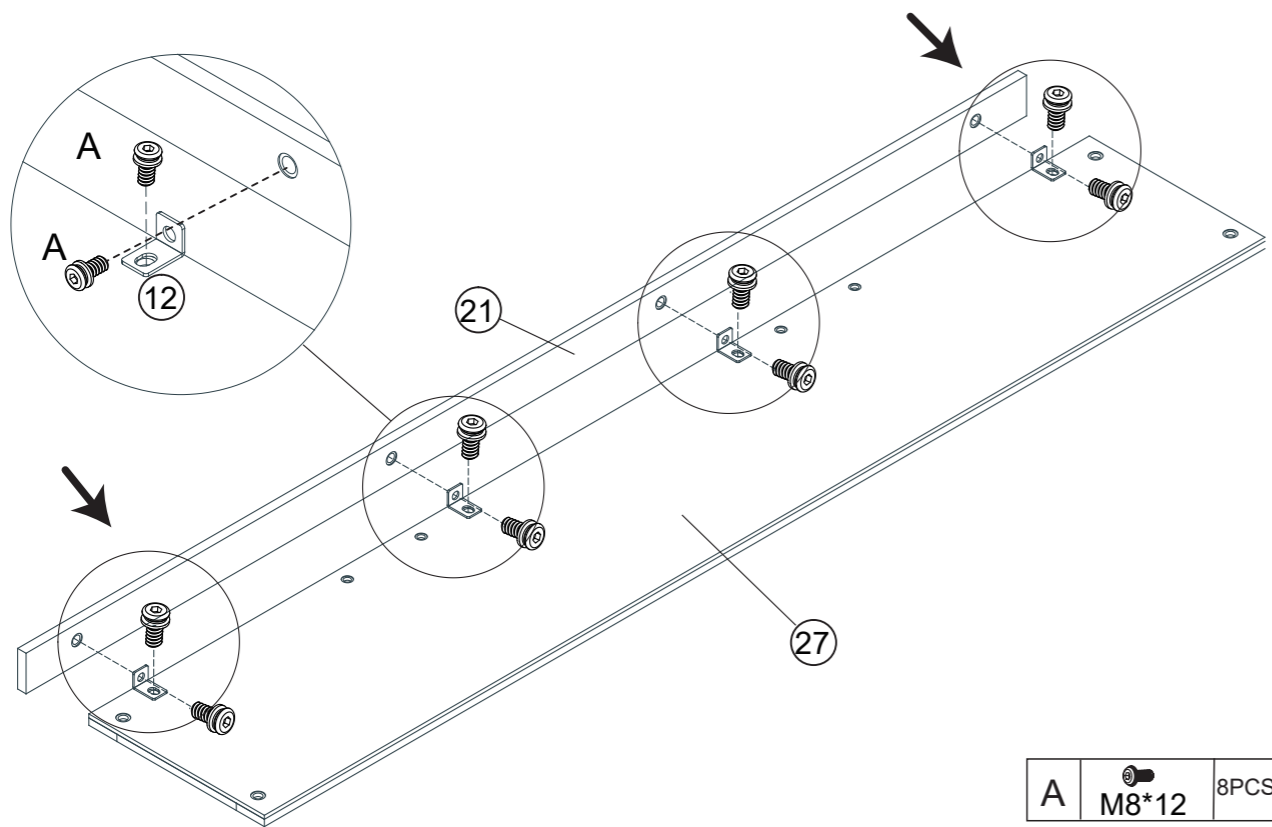
ASSEMBLY INSTRUCTIONS

9



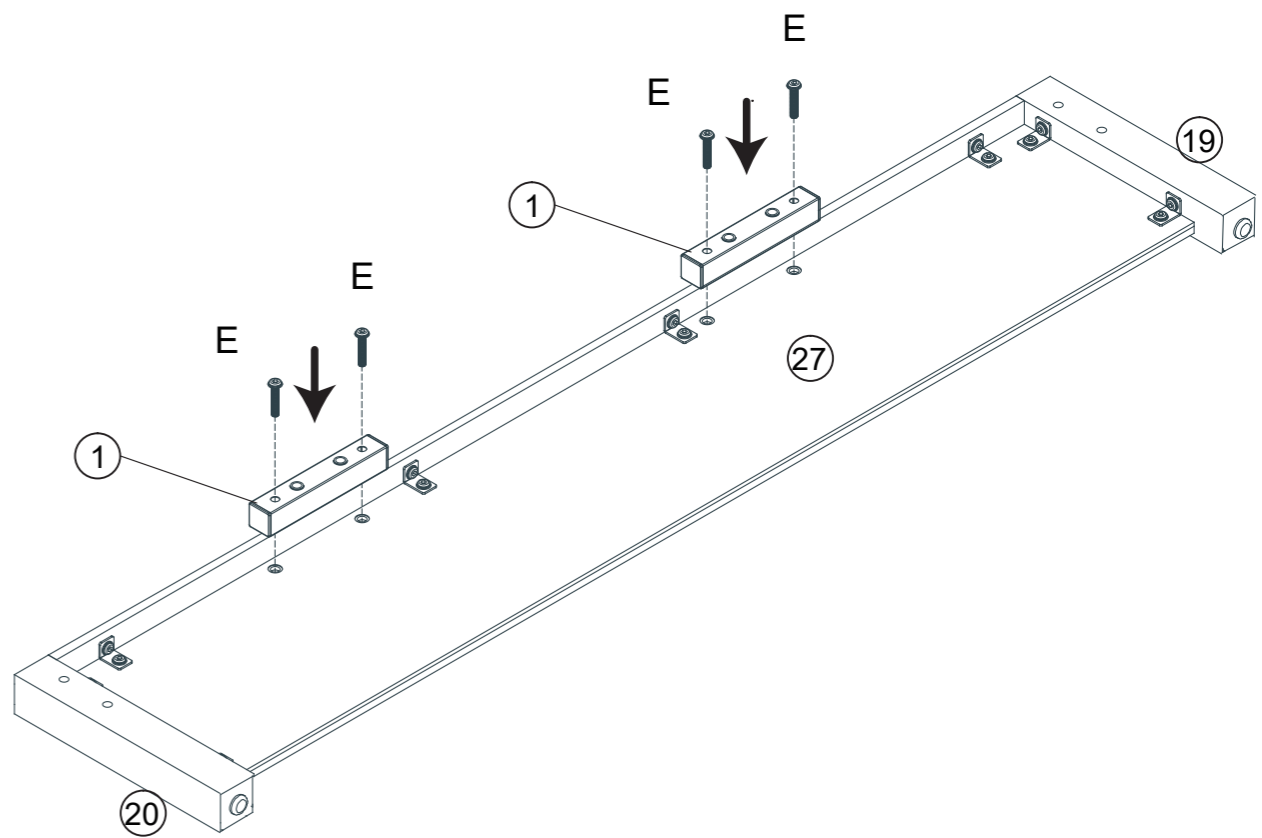
A M8*12 8PCS

8



A M8*12 8PCS

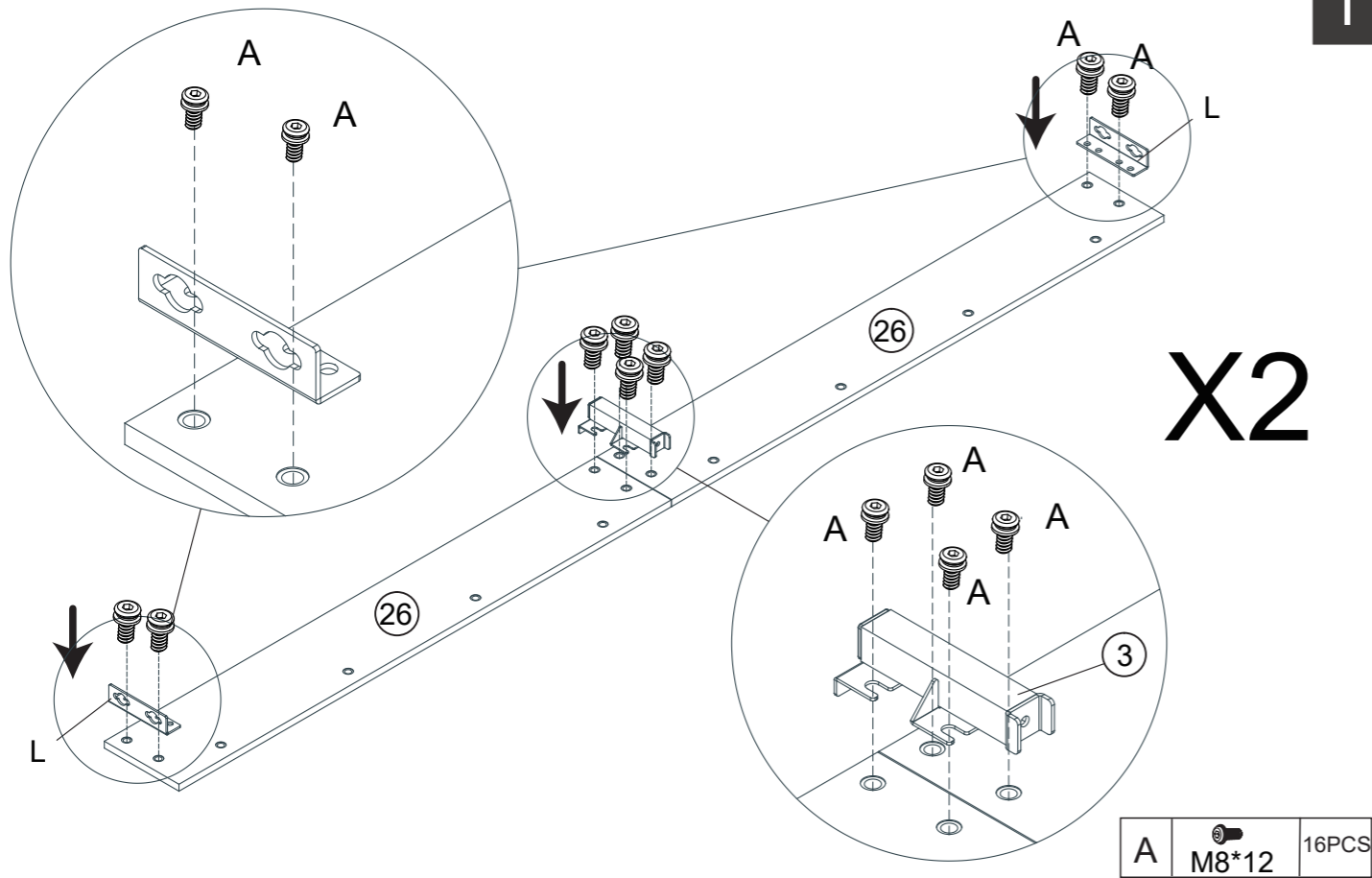
10



E M8*40 4PCS

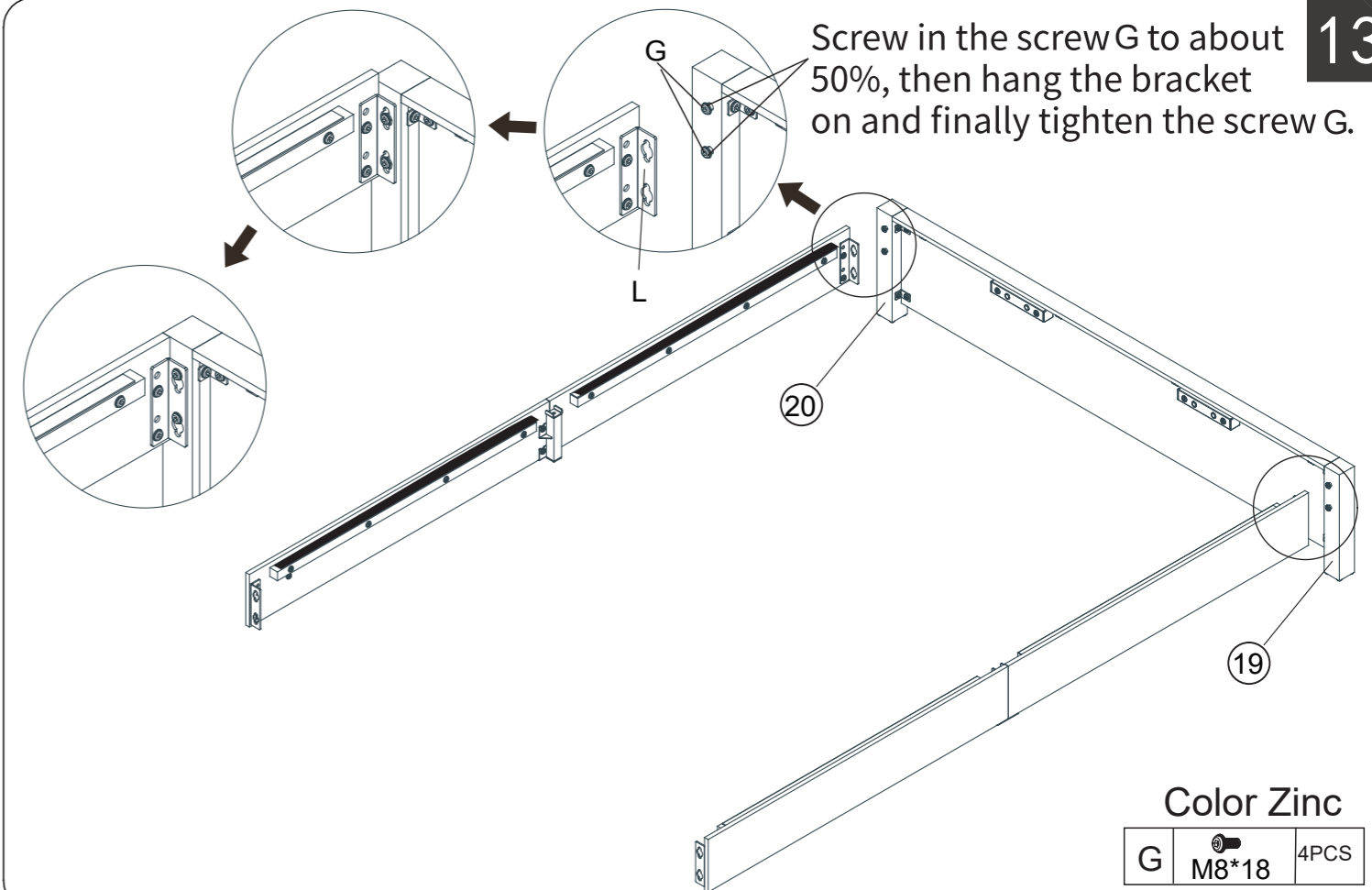
ASSEMBLY INSTRUCTIONS

11

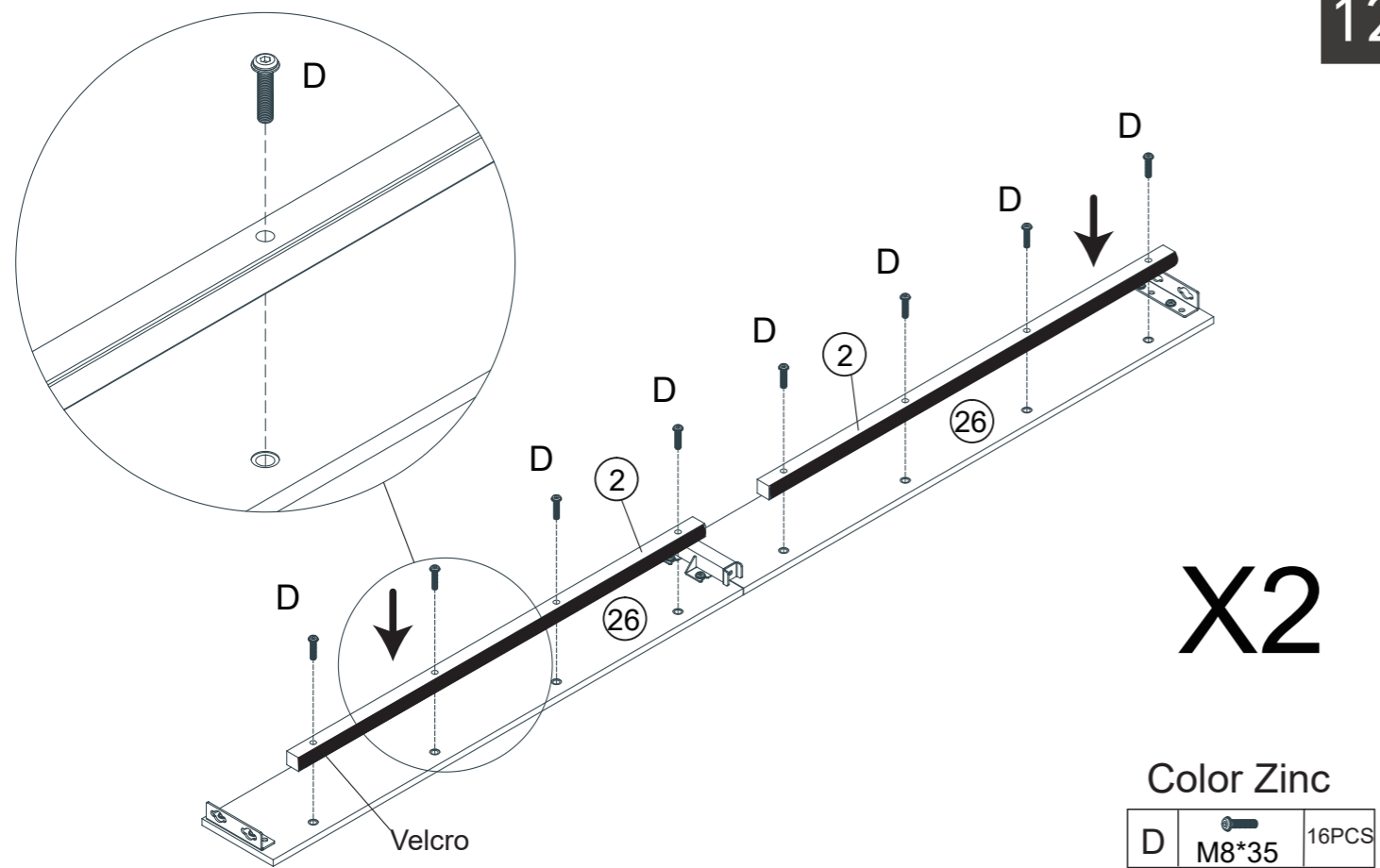


ASSEMBLY INSTRUCTIONS

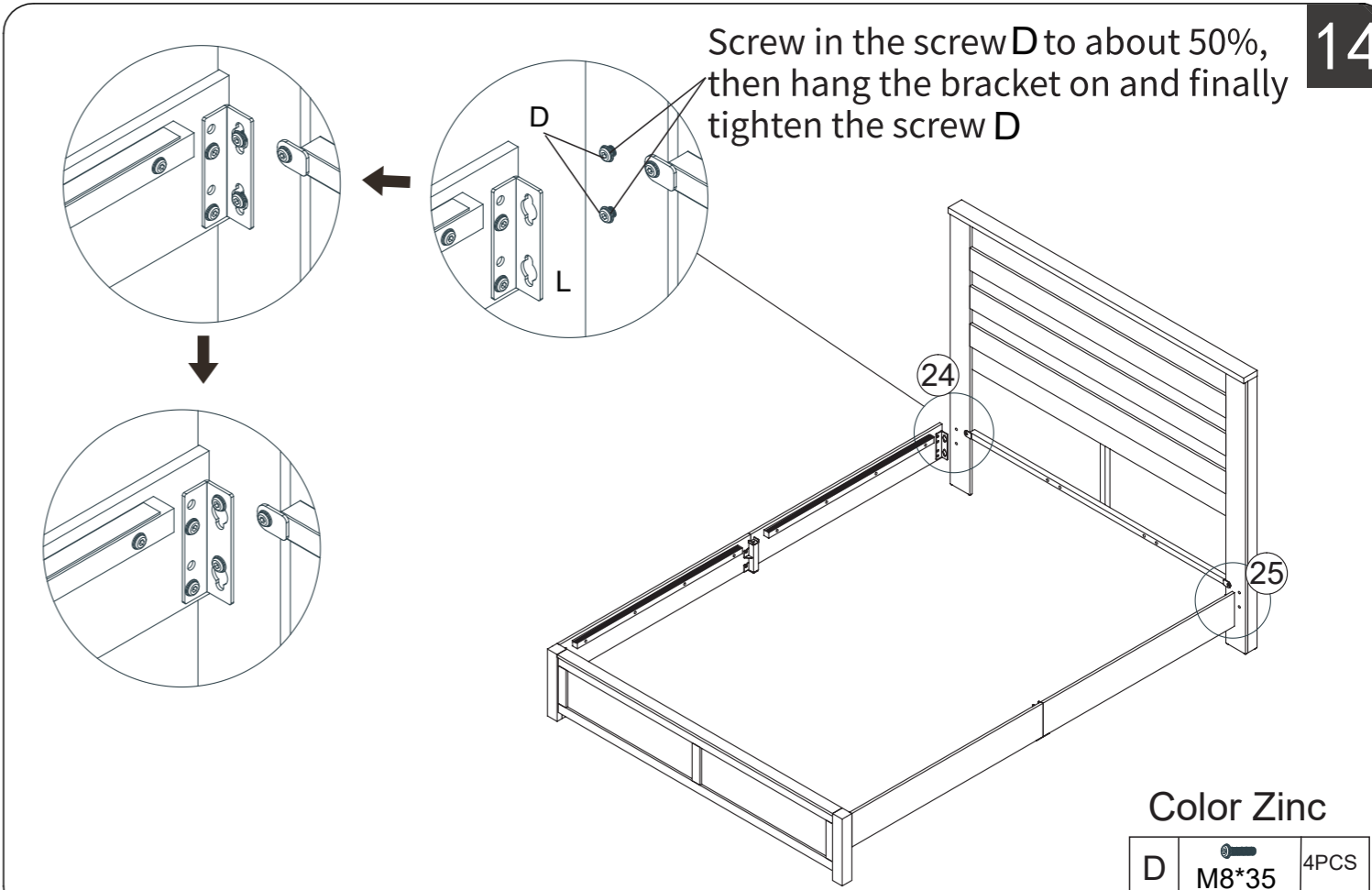
13



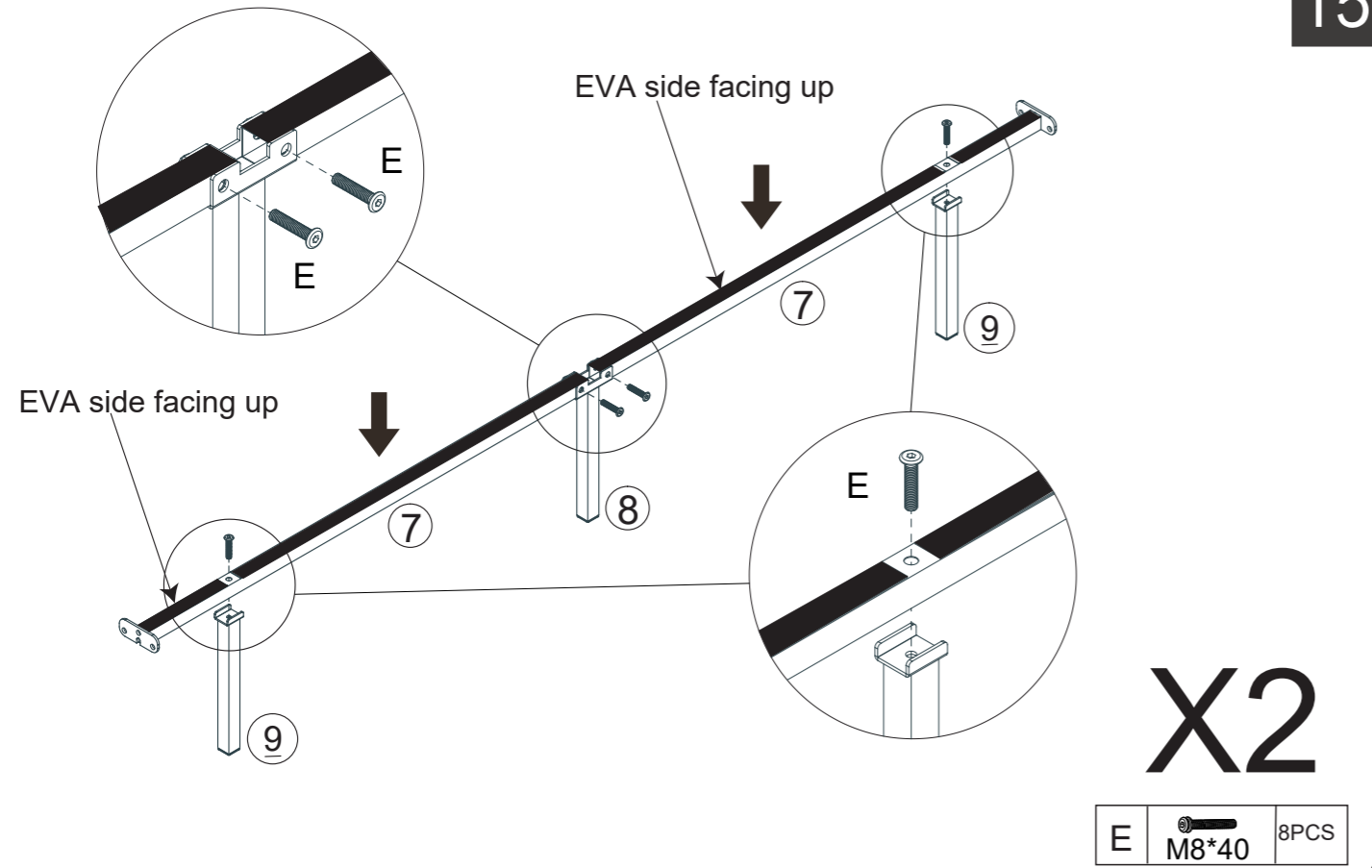
12



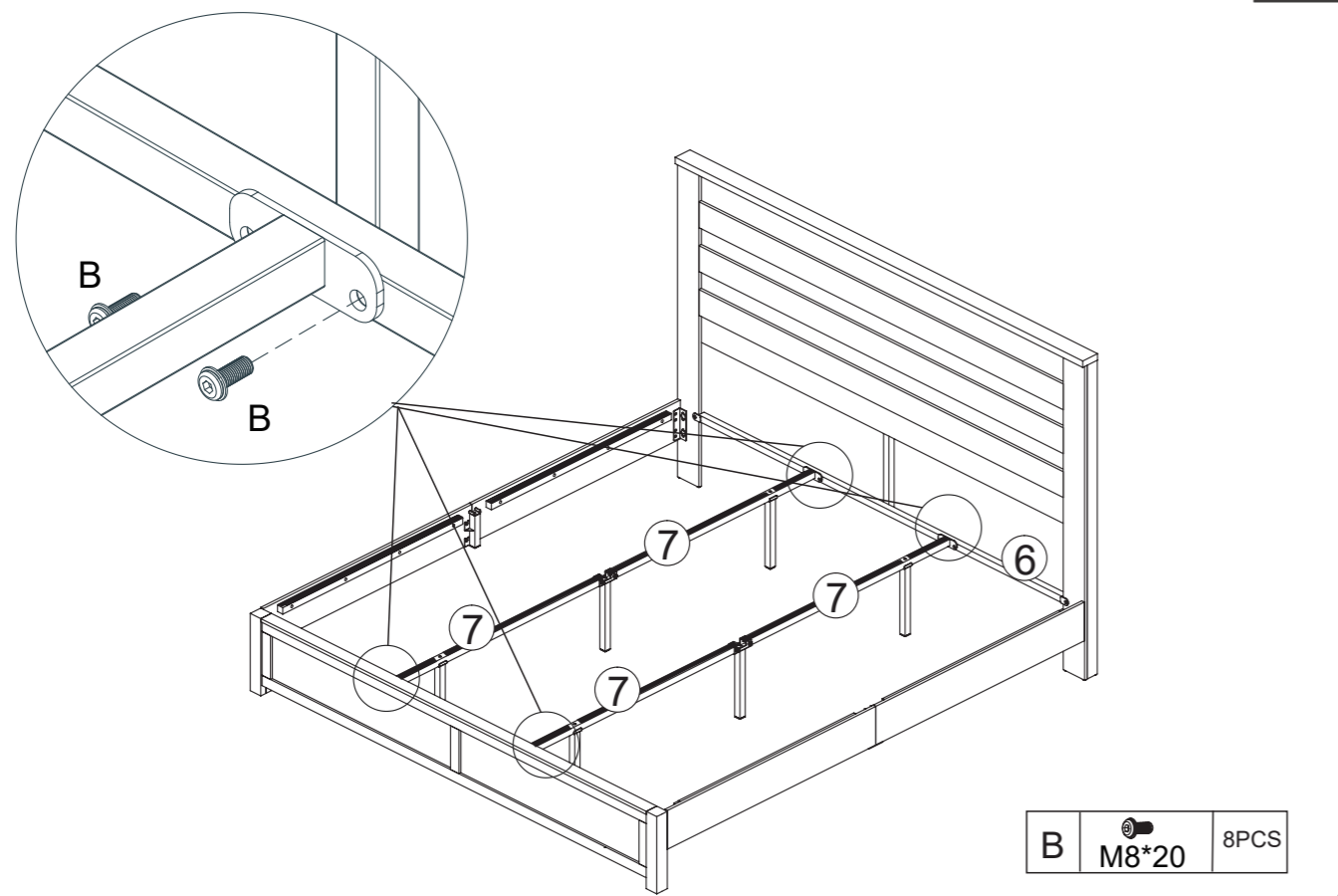
14



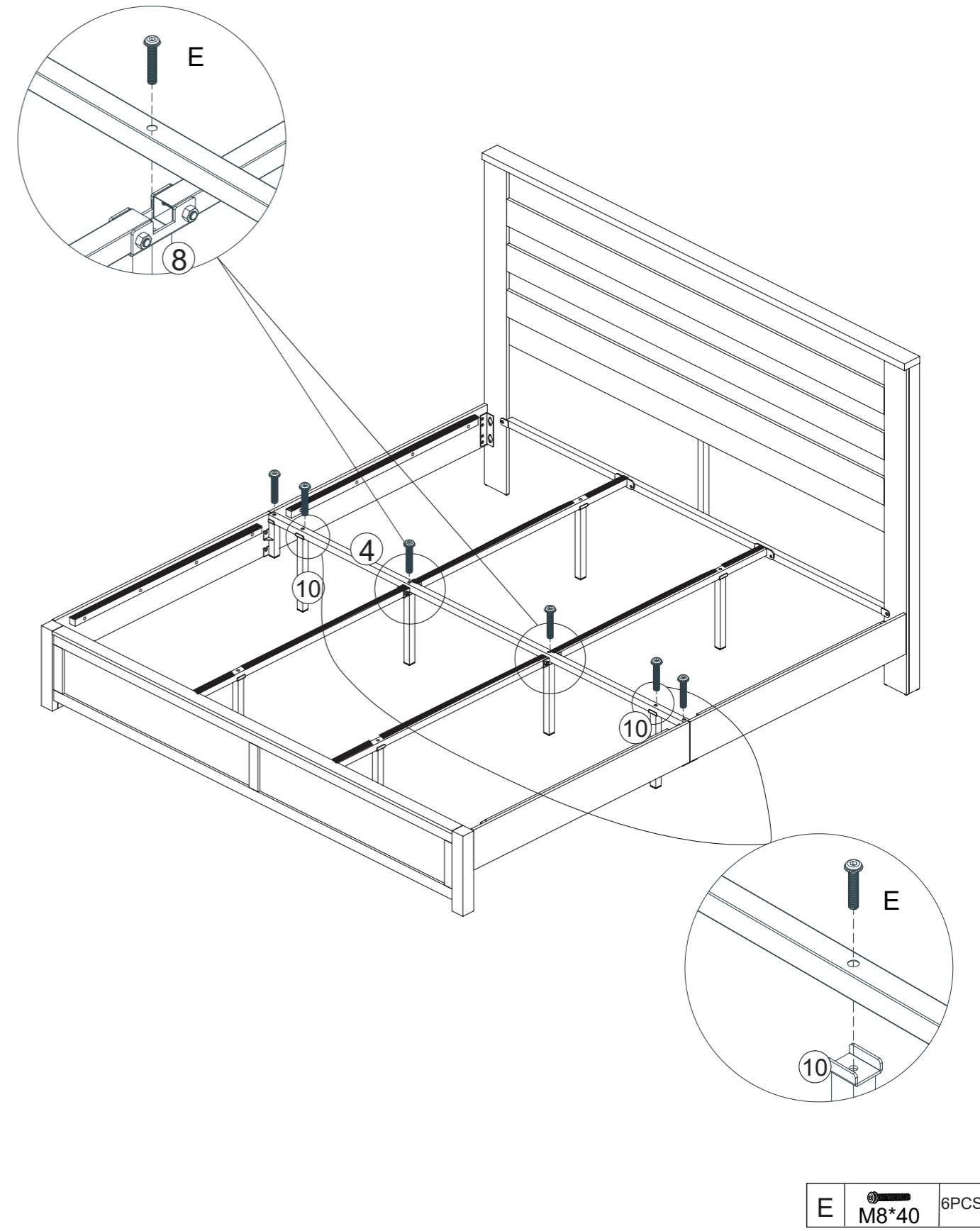
15



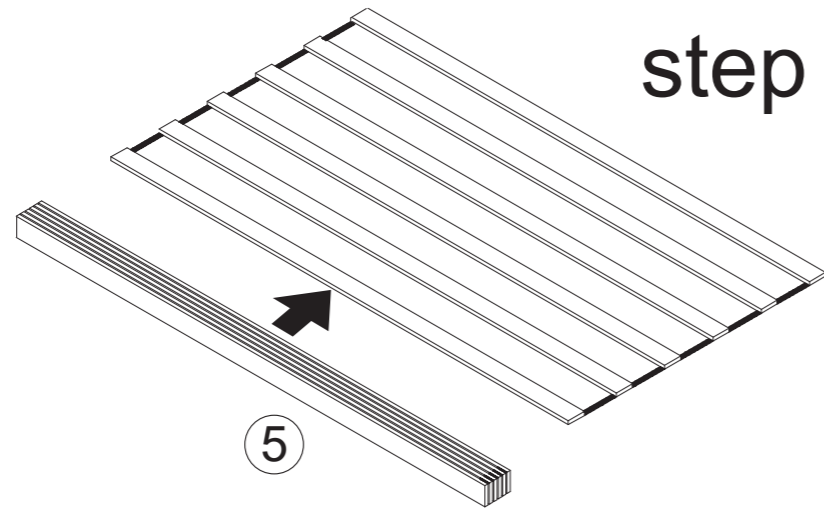
16



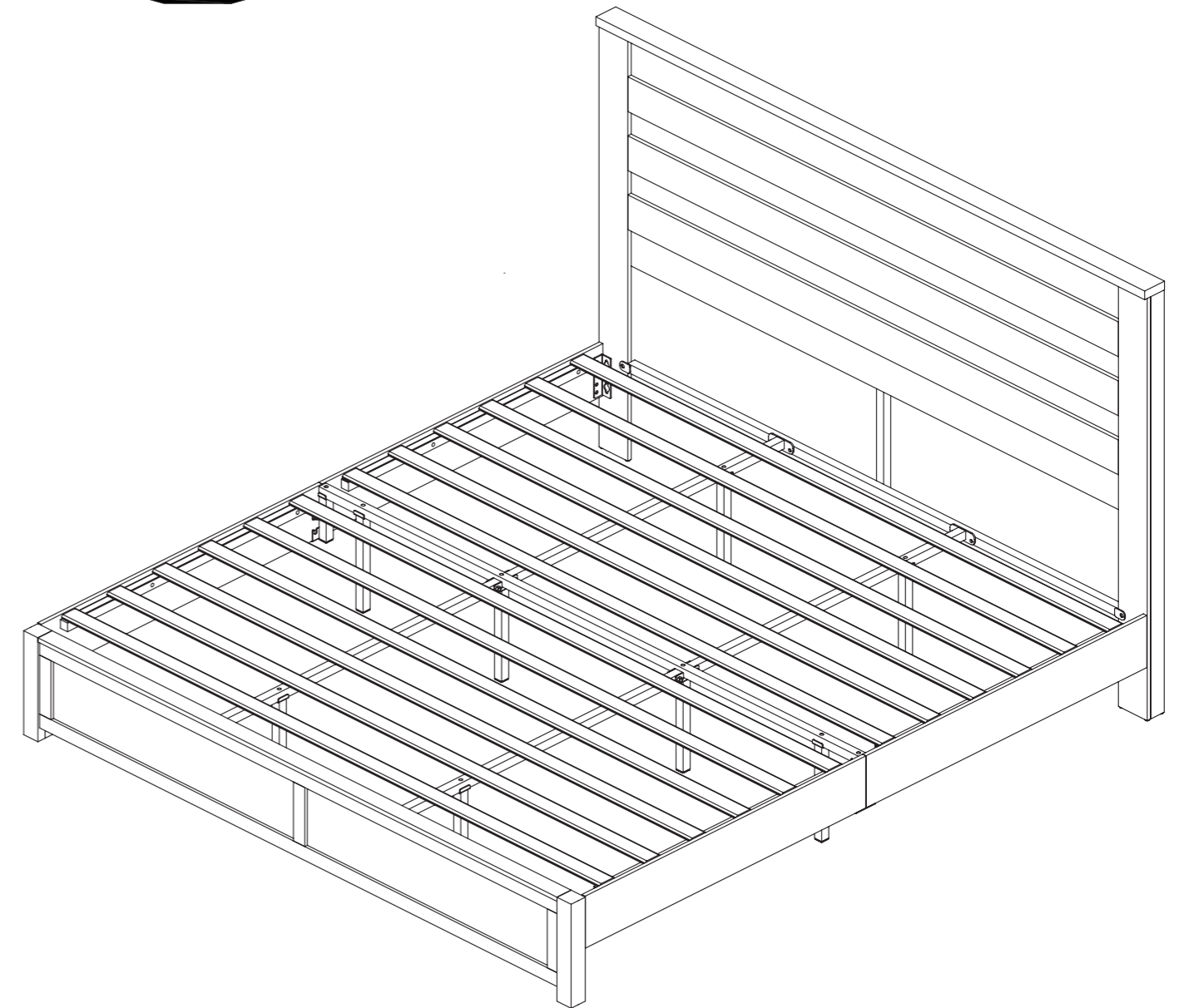
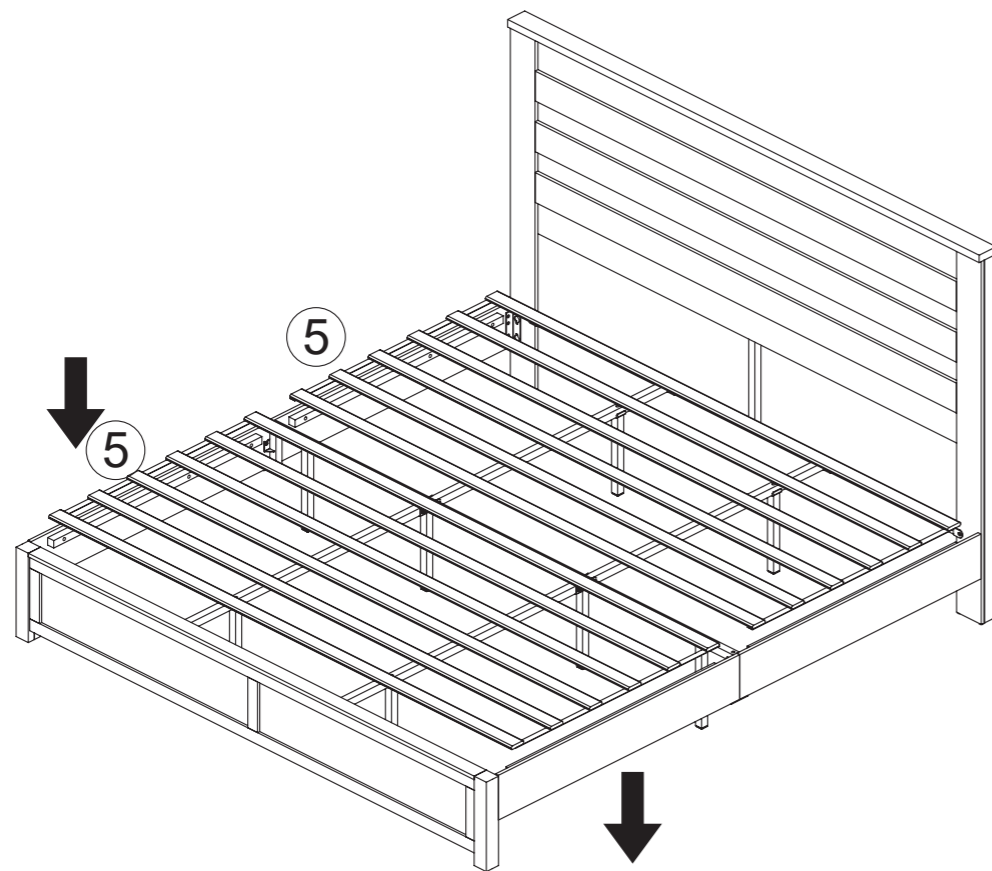
17



step 1



step 2



Installation Complete