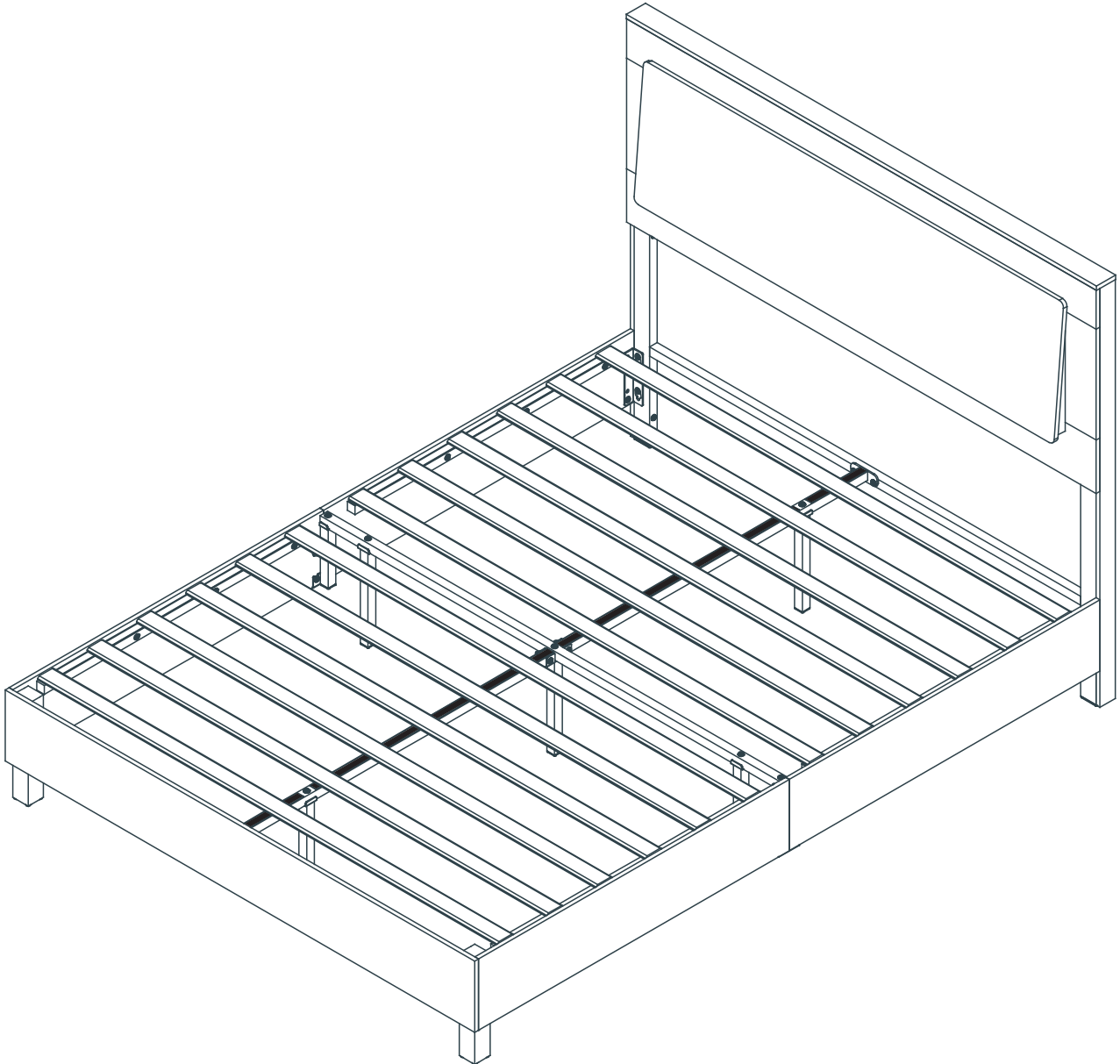


## Panel Bed Assembly Instructions



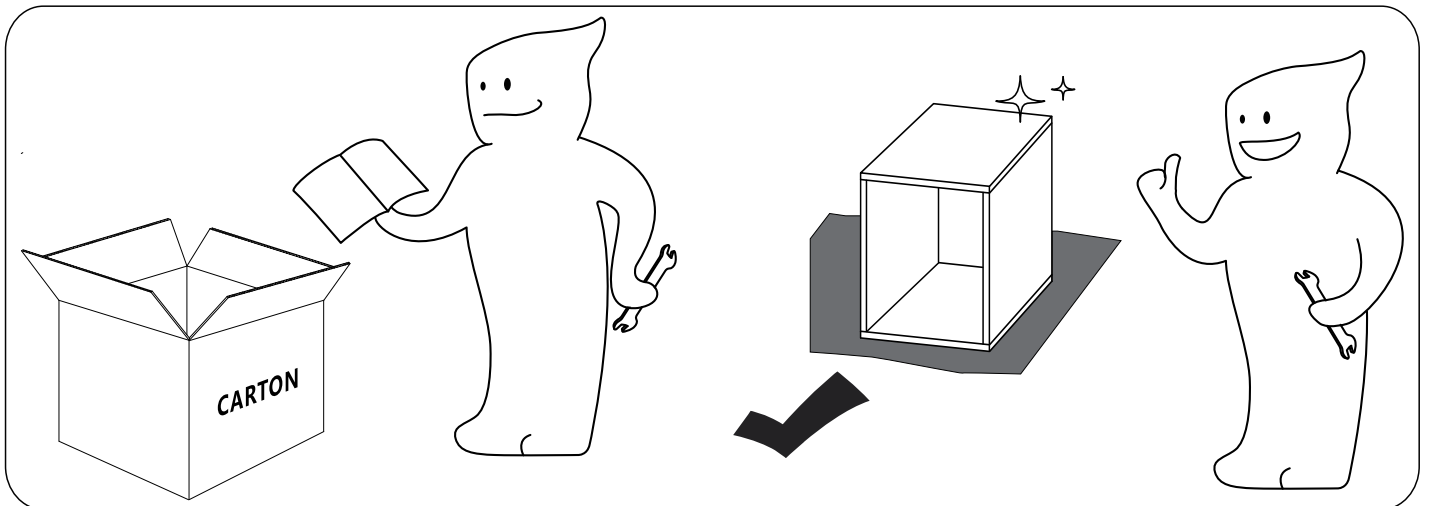
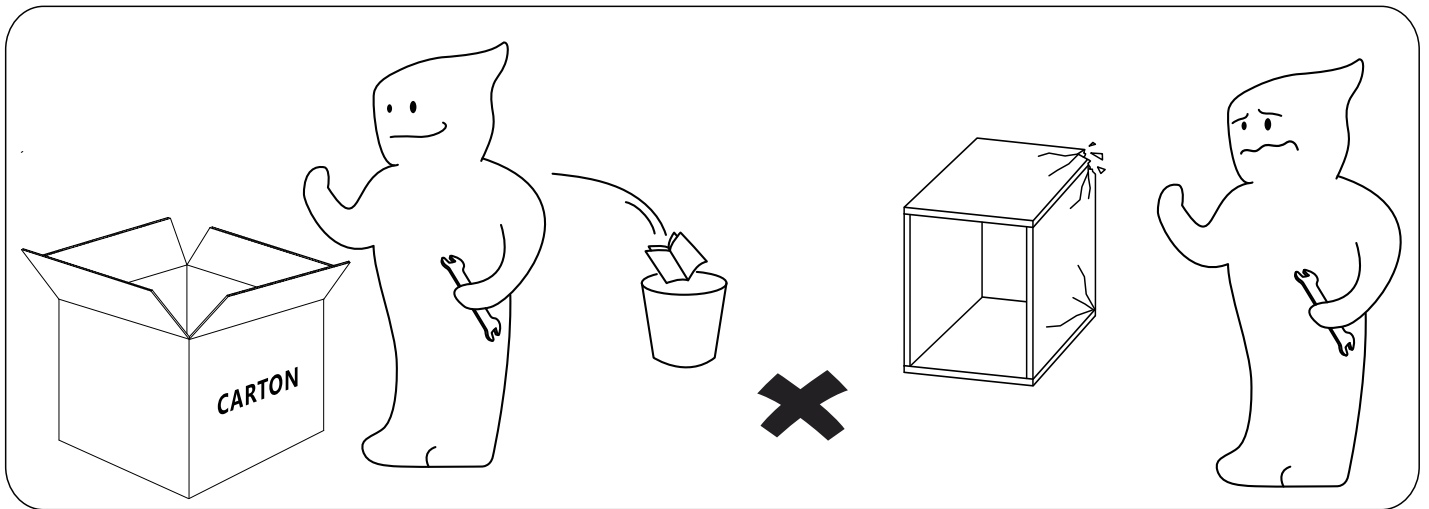
### **Dear Customers,**

Thank you for purchasing our product. Please read this instruction manual carefully after receiving this product. It will help you assemble this product quickly, safely and correctly. You can keep this manual for future reference.

MADE IN CHINA

## ! IMPORTANT

Please follow the instruction manuals and use a pad to protect the product during your assembly.



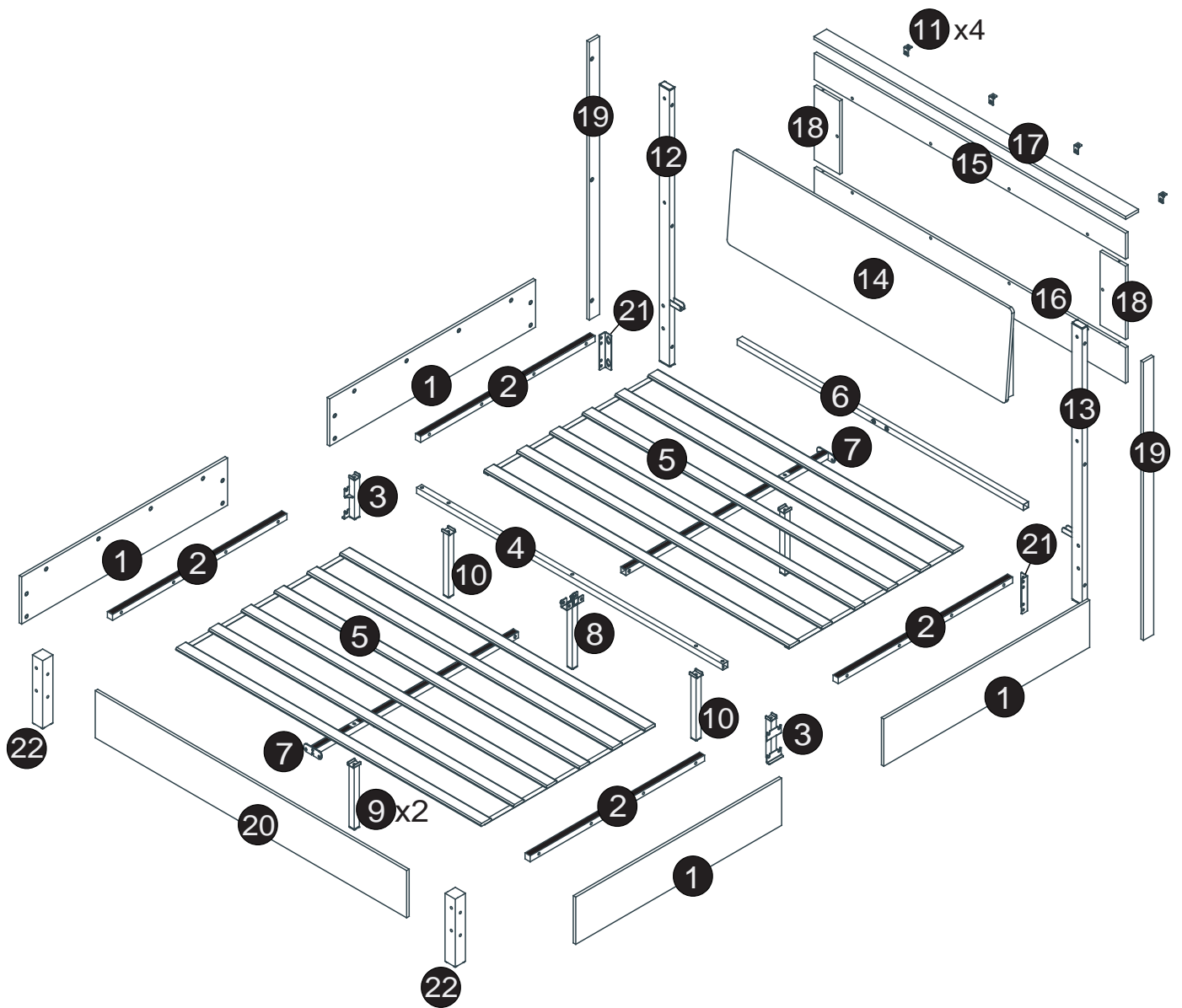
**Note:**

- 1. Should be assembled on flat ground to keep balance.**
- 2. Before completing the installation, do not tighten the screws.**

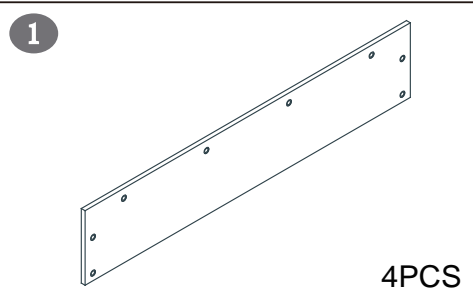
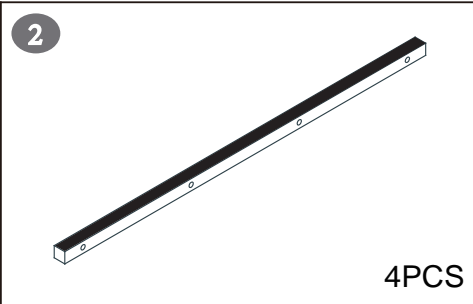
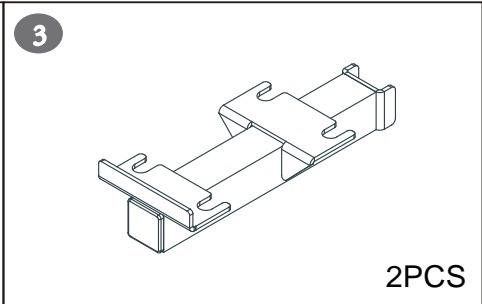
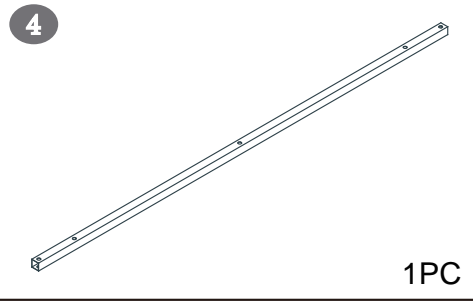
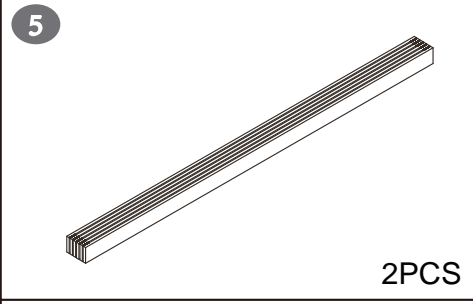
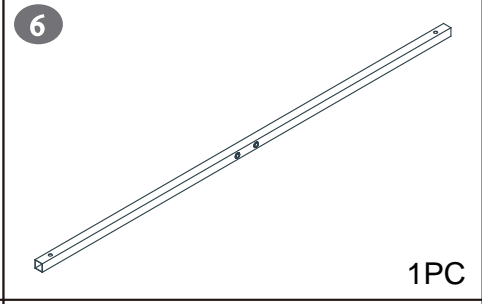
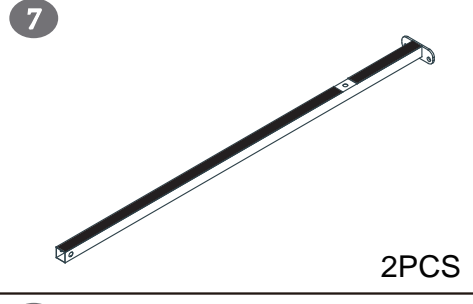
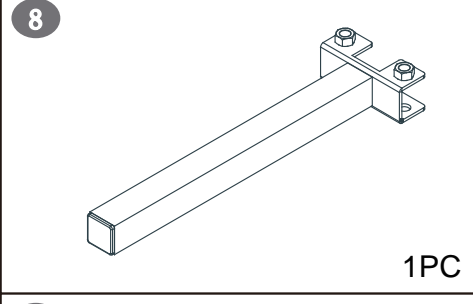
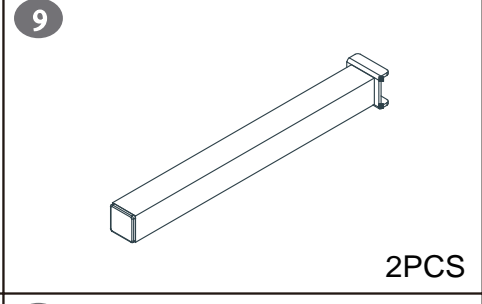
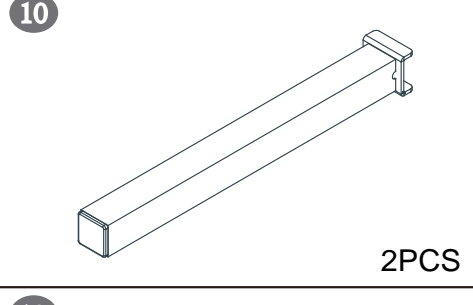
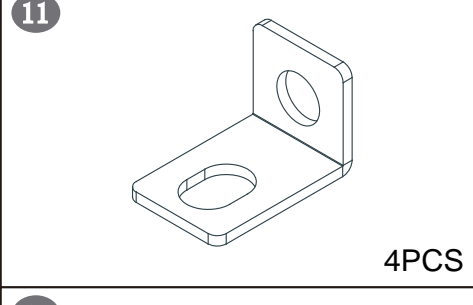
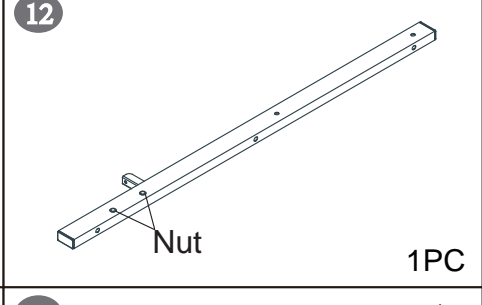
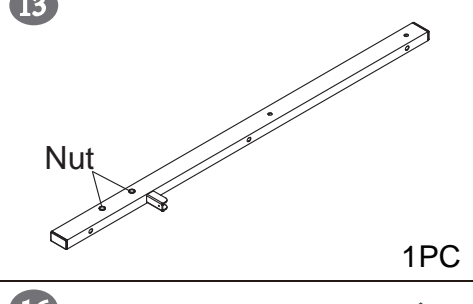
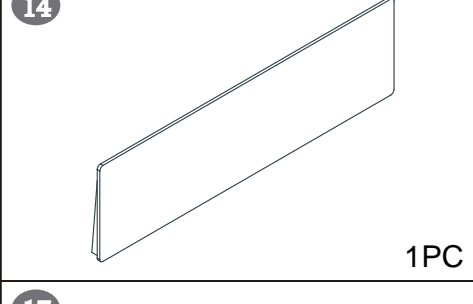
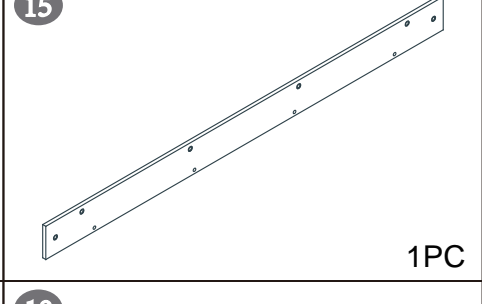
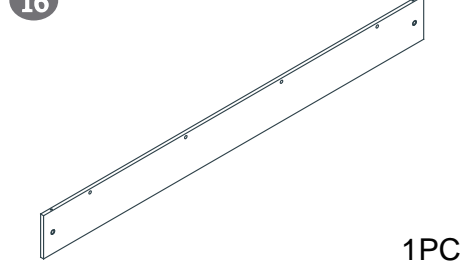
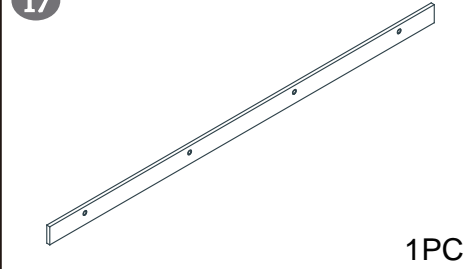
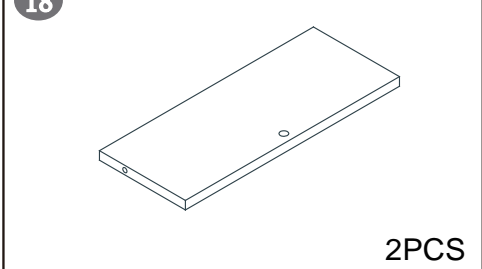


For easier and better assembly, **2** or more adults are required.

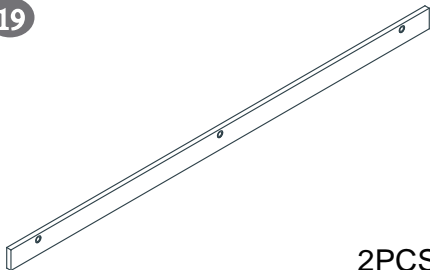
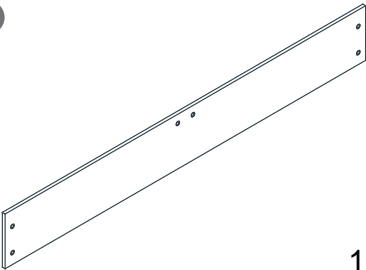
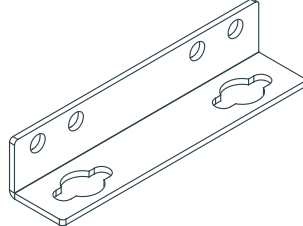
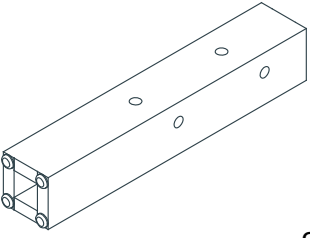


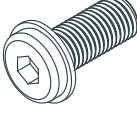
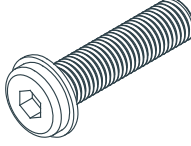
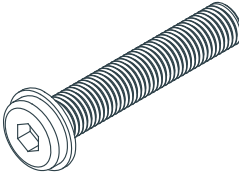
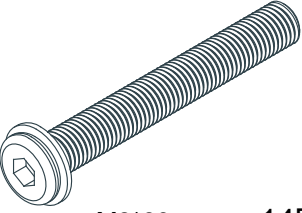
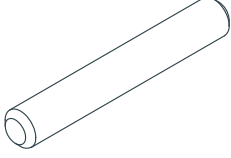
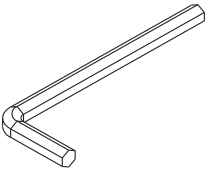

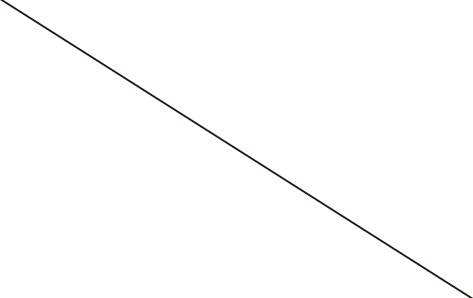
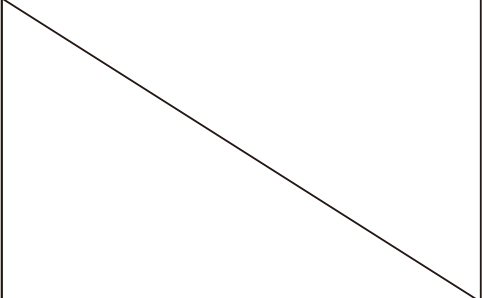
# ASSEMBLY INSTRUCTIONS



# ASSEMBLY INSTRUCTIONS

 <p>1</p> <p>4PCS</p>	 <p>2</p> <p>4PCS</p>	 <p>3</p> <p>2PCS</p>
 <p>4</p> <p>1PC</p>	 <p>5</p> <p>2PCS</p>	 <p>6</p> <p>1PC</p>
 <p>7</p> <p>2PCS</p>	 <p>8</p> <p>1PC</p>	 <p>9</p> <p>2PCS</p>
 <p>10</p> <p>2PCS</p>	 <p>11</p> <p>4PCS</p>	 <p>12</p> <p>1PC</p>
 <p>13</p> <p>1PC</p>	 <p>14</p> <p>1PC</p>	 <p>15</p> <p>1PC</p>
 <p>16</p> <p>1PC</p>	 <p>17</p> <p>1PC</p>	 <p>18</p> <p>2PCS</p>

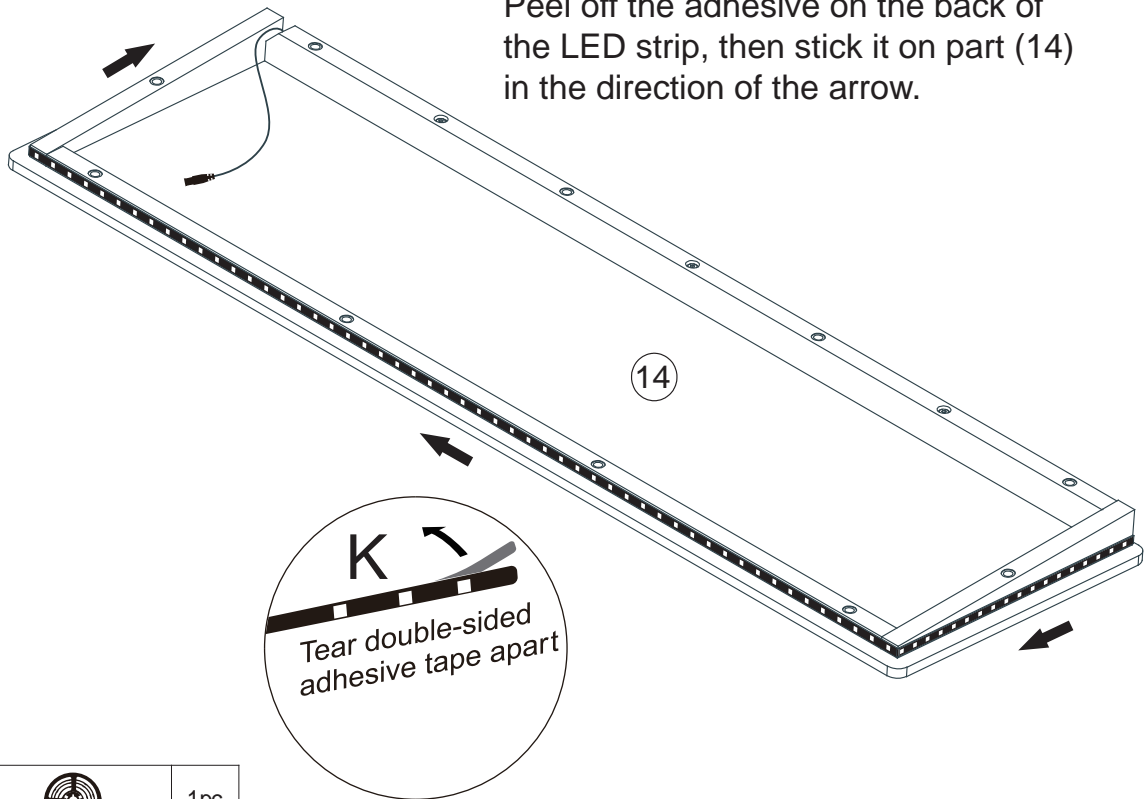
# ASSEMBLY INSTRUCTIONS

<p><b>19</b></p>  <p>2PCS</p>	<p><b>20</b></p>  <p>1PC</p>	<p><b>21</b></p>  <p>2PCS</p>
<p><b>22</b></p>  <p>2PCS</p>	<p><b>A</b></p>  <p>M8*12 22PCS</p>	<p><b>B</b></p>  <p>white zinc M8*14 2PCS</p>
<p><b>C</b></p>  <p>M8*20 12PCS</p>	<p><b>D</b></p>  <p>M8*33 30PCS</p>	<p><b>E</b></p>  <p>M8*45 3PCS</p>
<p><b>F</b></p>  <p>M8*60 14PCS</p>	<p><b>G</b></p>  <p>φ6*40 4PCS</p>	<p><b>H</b></p>  <p>5*5 1PC</p>
<p><b>K</b></p>  <p>1PC</p>		

# ASSEMBLY INSTRUCTIONS

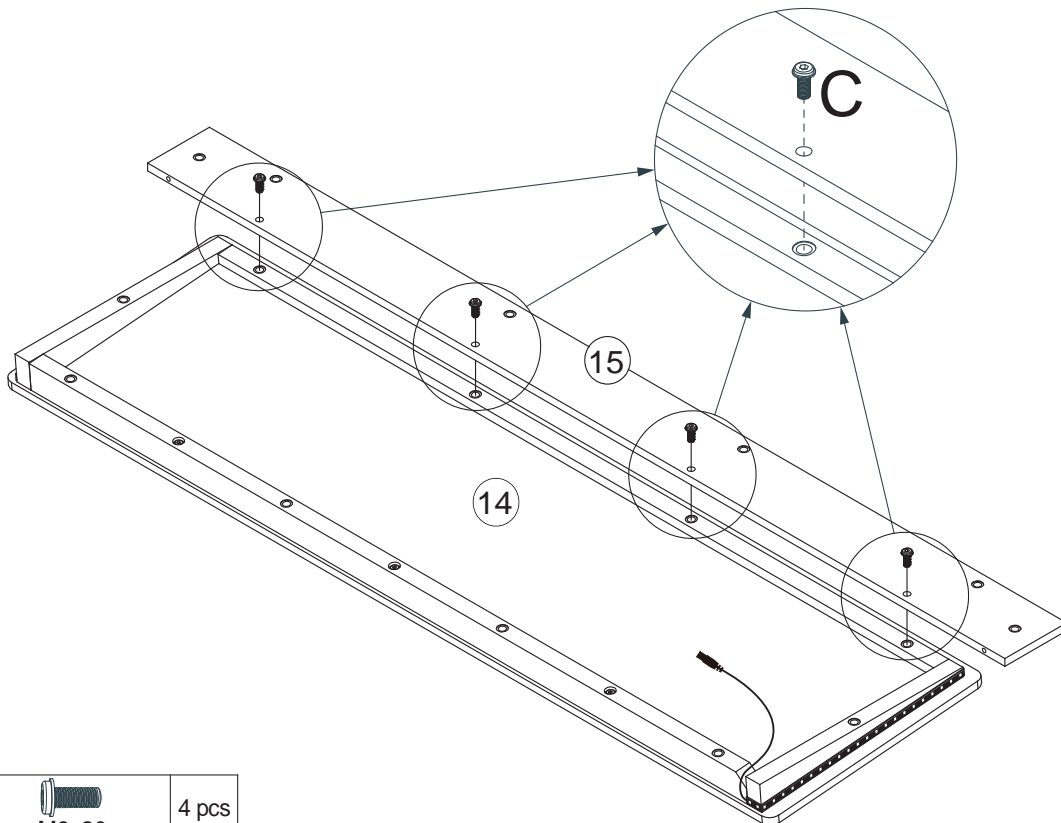
1


Peel off the adhesive on the back of the LED strip, then stick it on part (14) in the direction of the arrow.



<b>K</b>		1pc
----------	---	-----

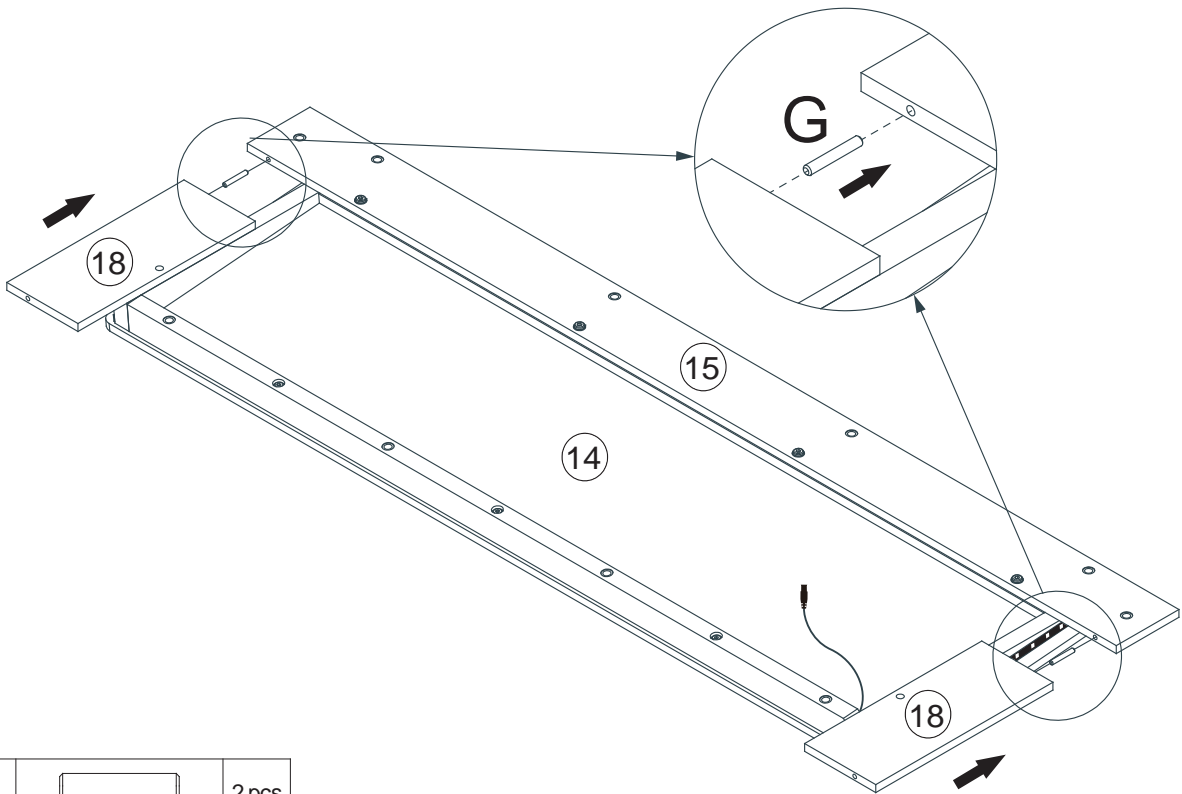
2

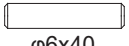


<b>C</b>		4 pcs
----------	---	-------

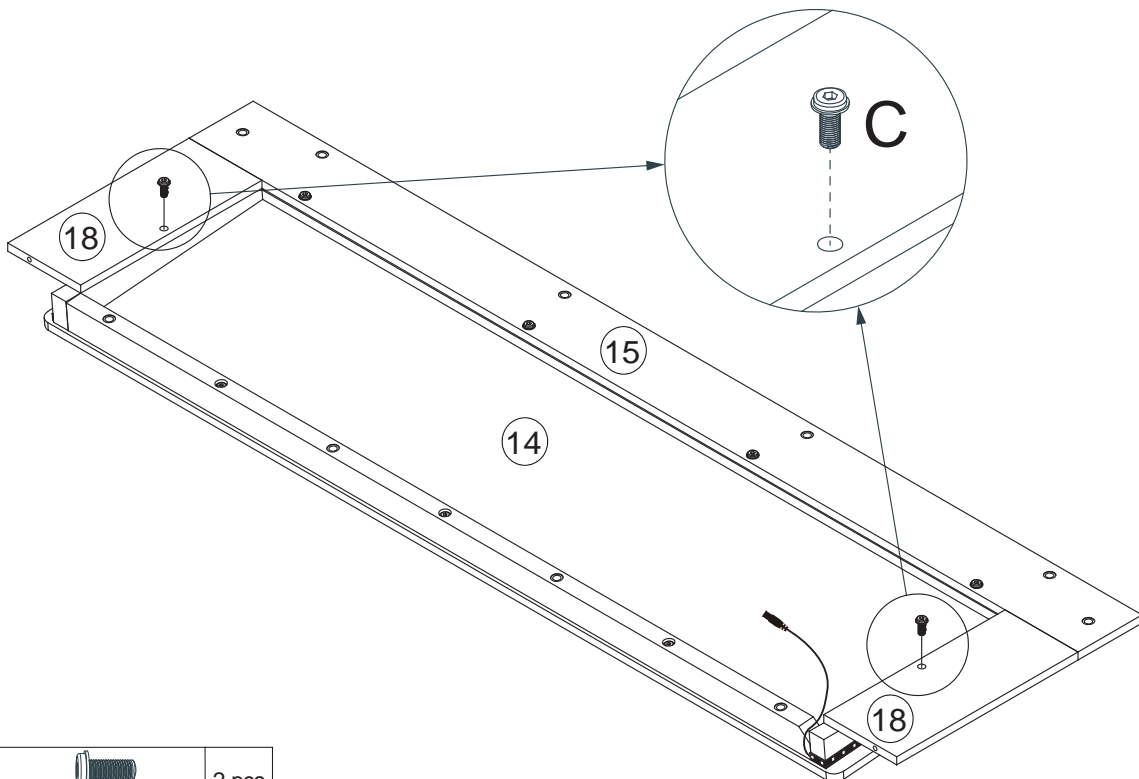
# ASSEMBLY INSTRUCTIONS

3



<b>G</b>		2 pcs
	$\varnothing 6 \times 40$	

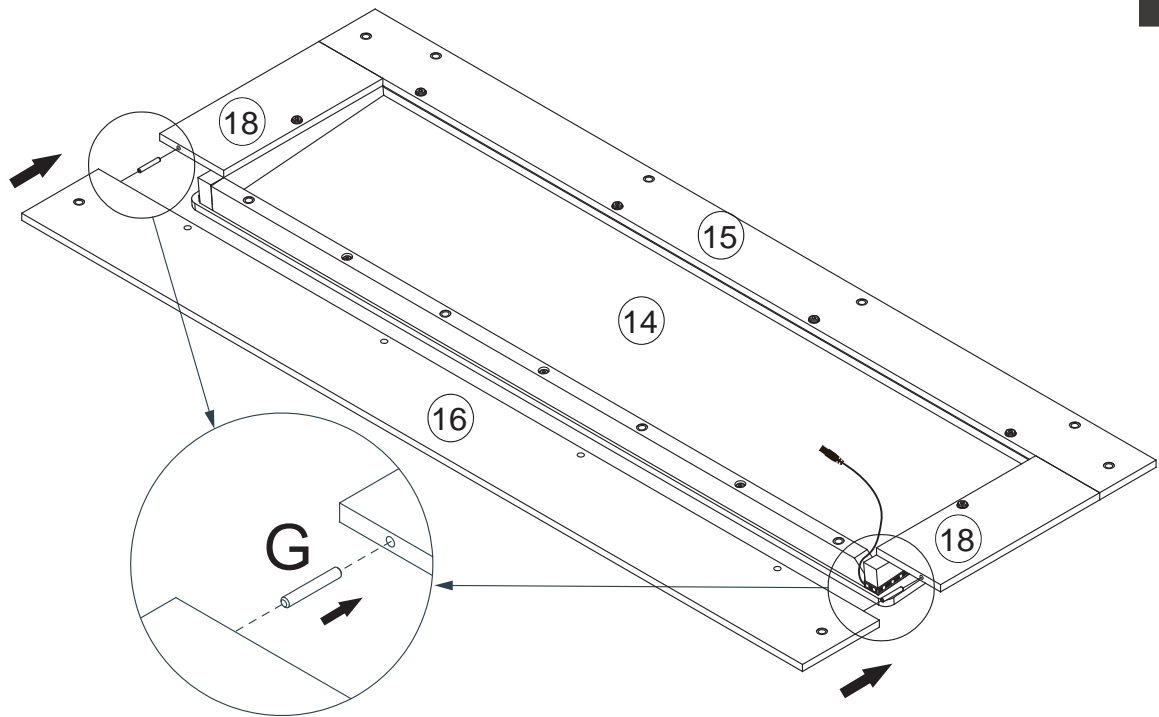
4




<b>C</b>		2 pcs
	M8x20	

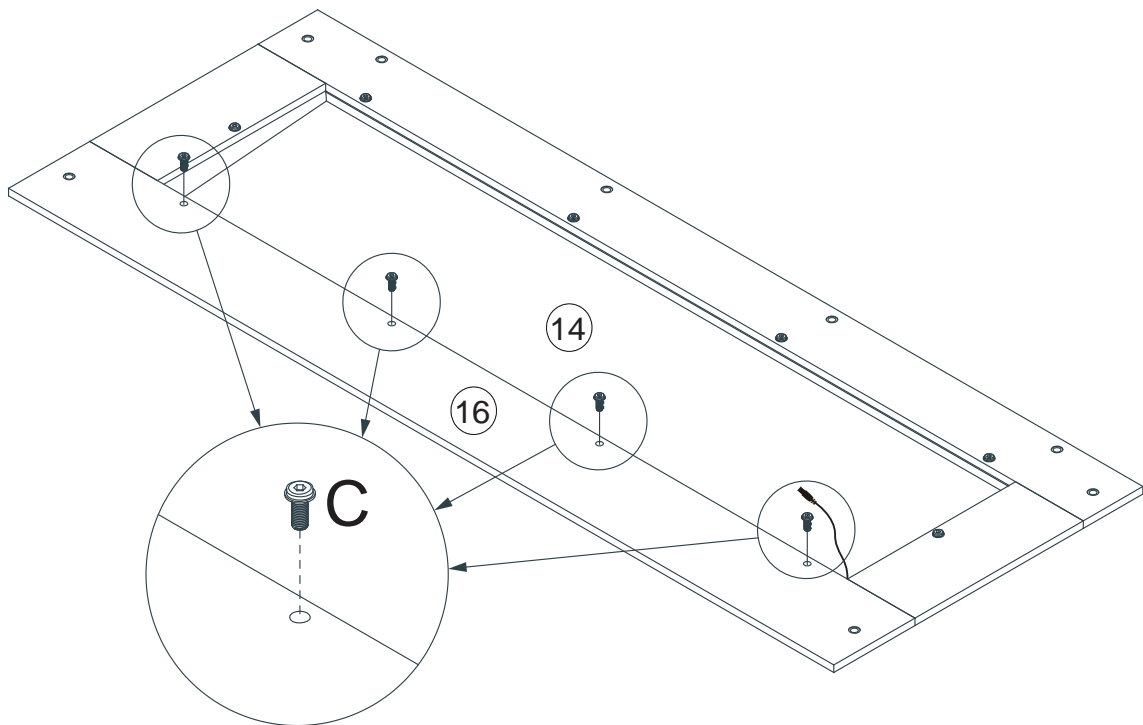
# ASSEMBLY INSTRUCTIONS

5



<b>G</b>		2 pcs
	$\varnothing 6 \times 40$	

6

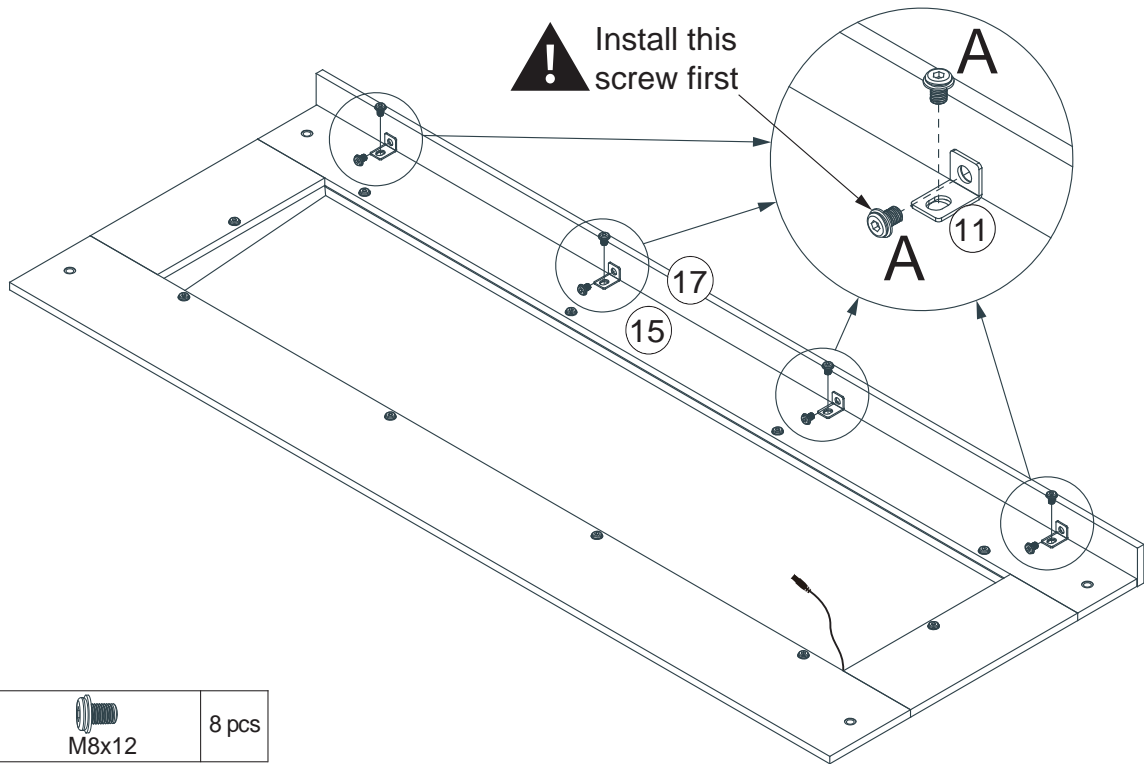


<b>C</b>		4 pcs
	M8x20	



# ASSEMBLY INSTRUCTIONS

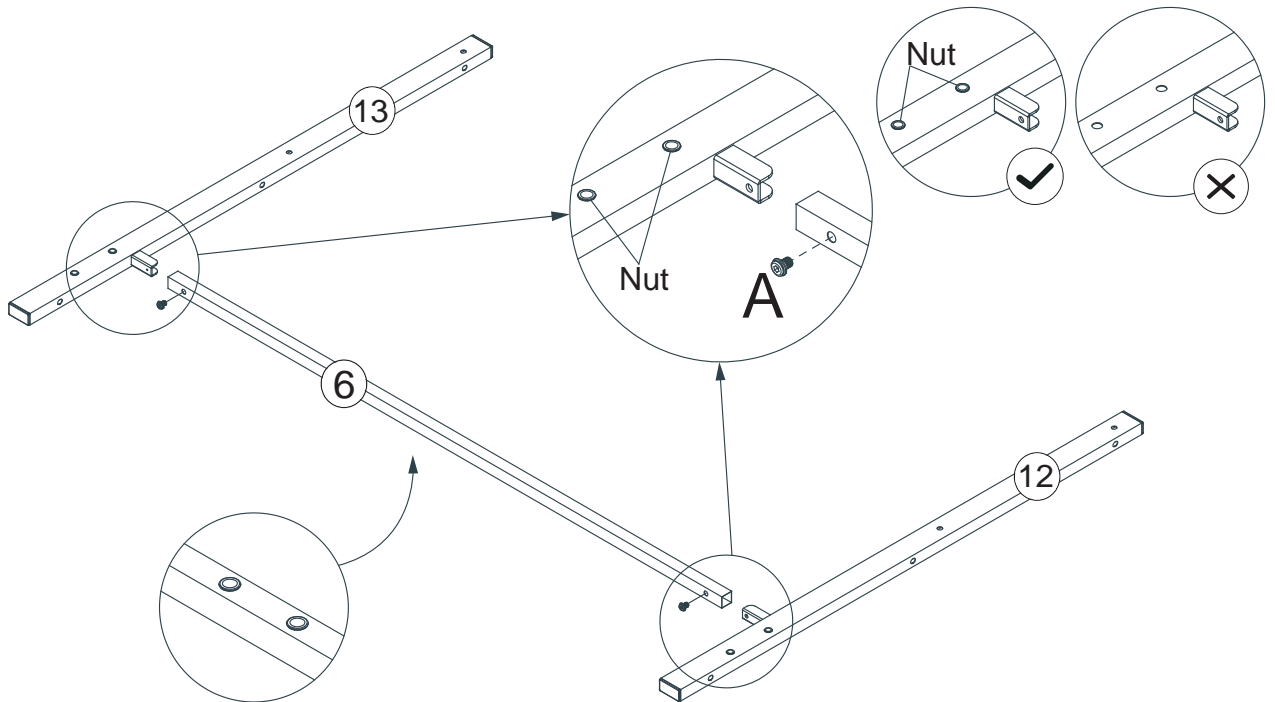
7



A		8 pcs
---	---	-------

M8x12

8

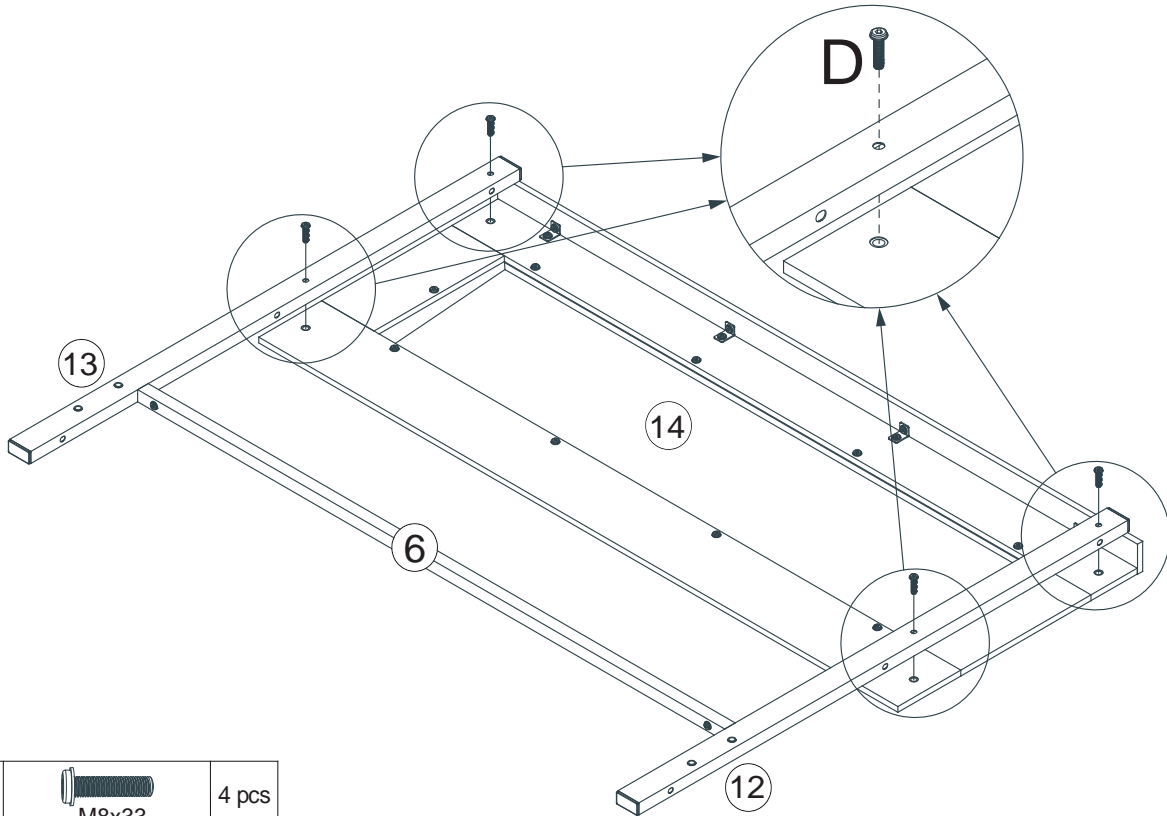


A		2 pcs
---	---	-------

M8x12

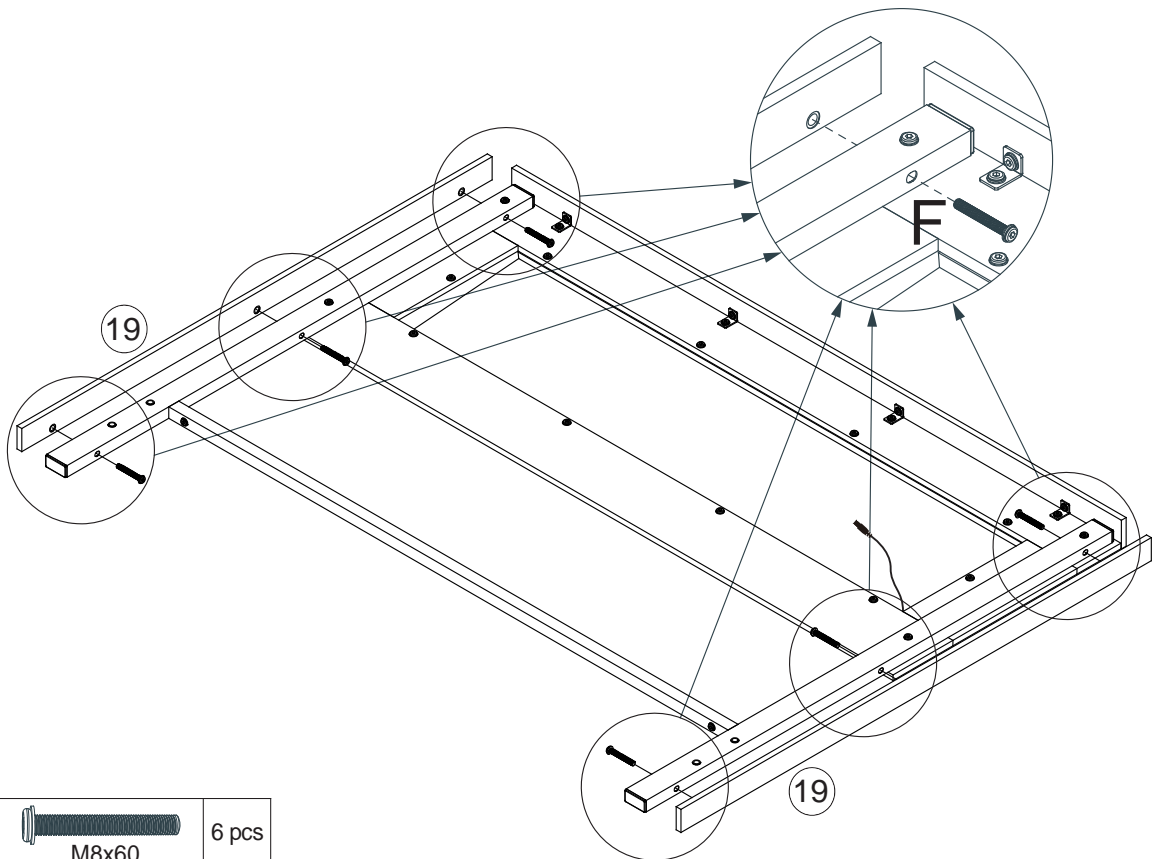
# ASSEMBLY INSTRUCTIONS


9



D		4 pcs
	M8x33	

10

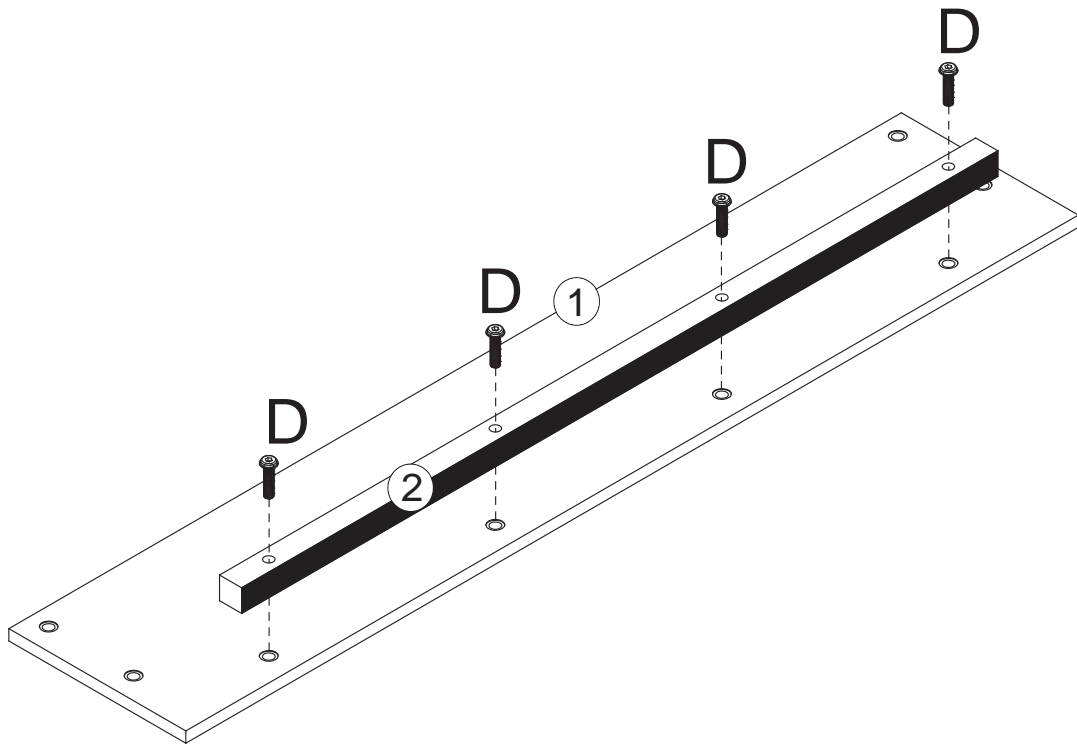


F		6 pcs
	M8x60	

# ASSEMBLY INSTRUCTIONS

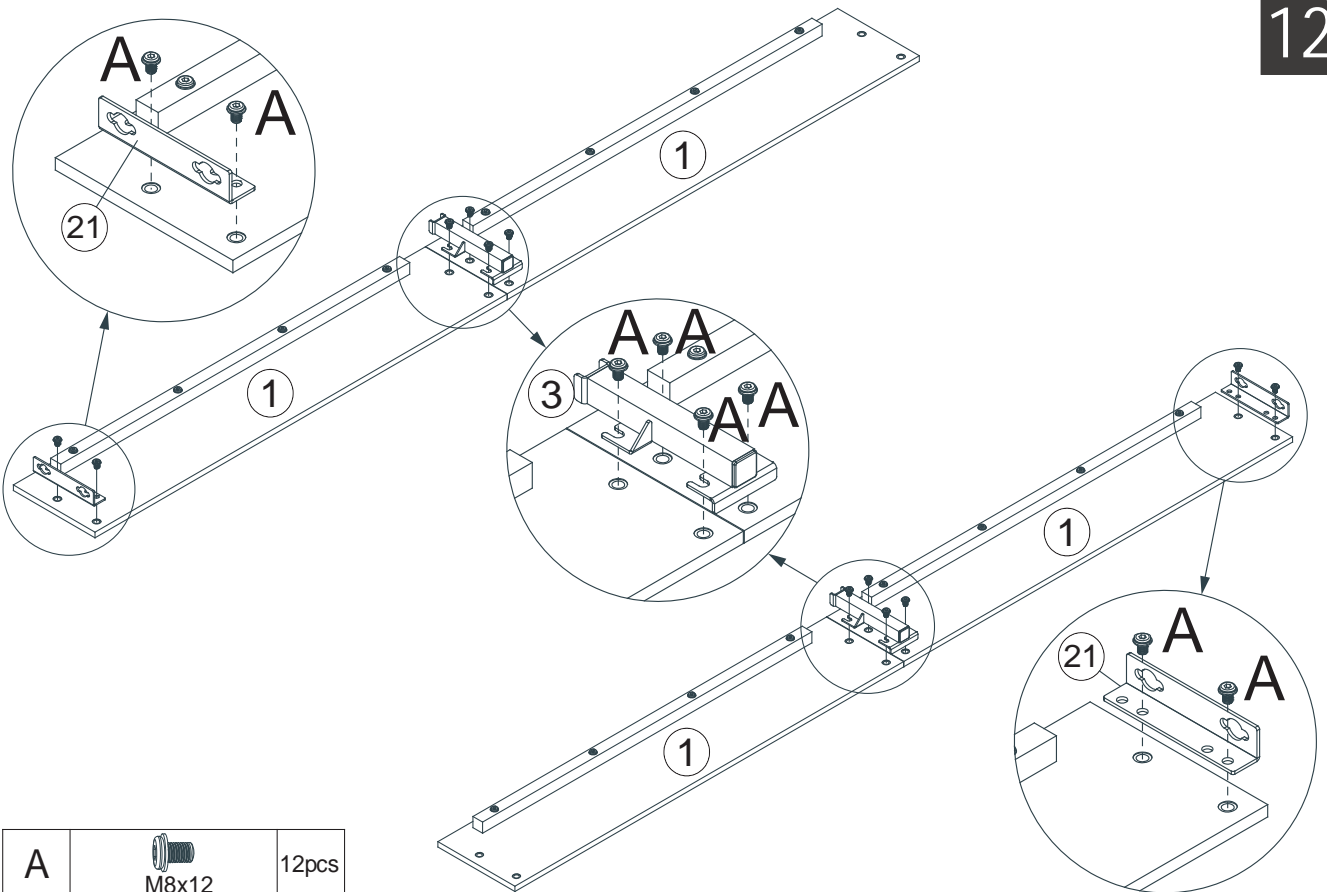
11

x4



D	 M8x33	16pcs
---	--	-------

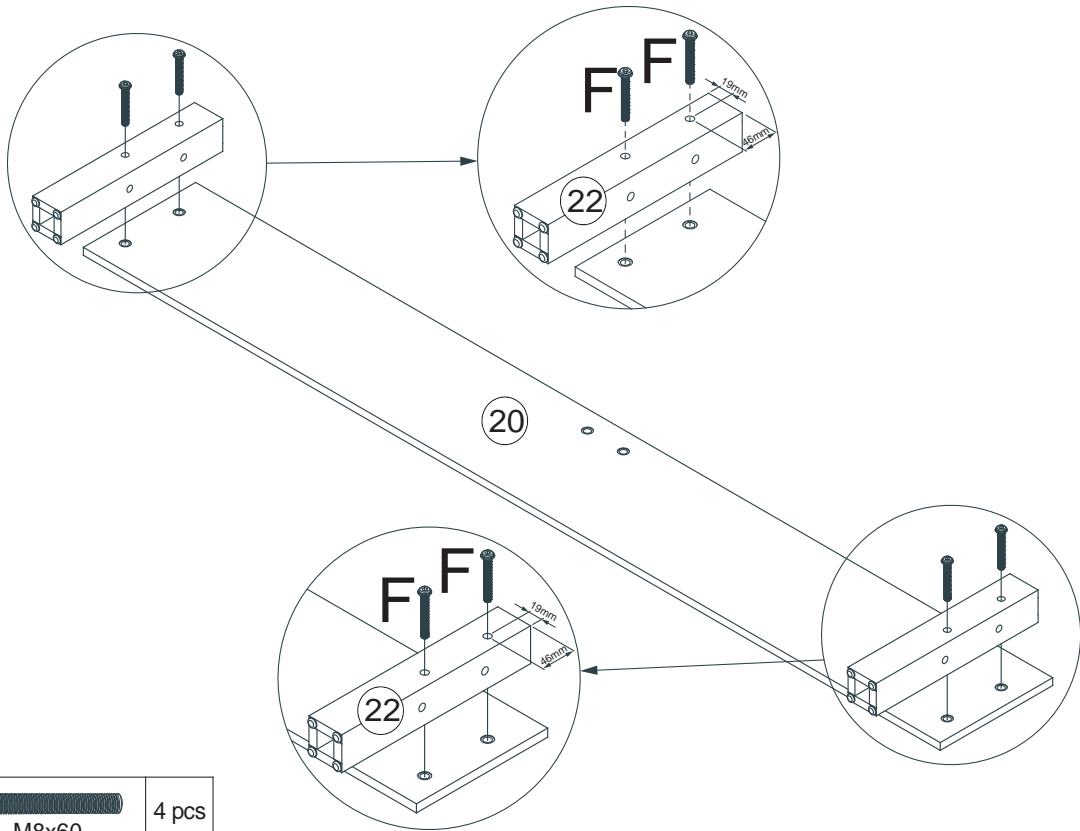
12



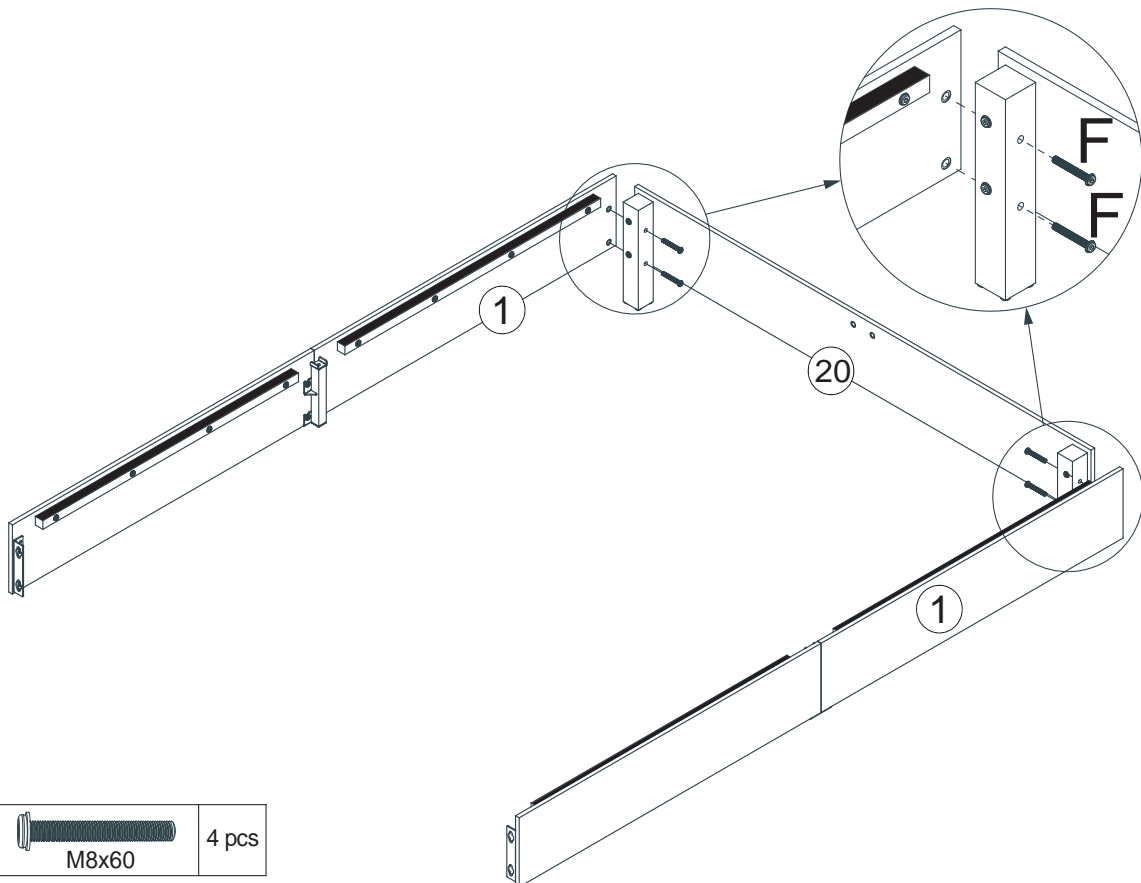
A	 M8x12	12pcs
---	--	-------

# ASSEMBLY INSTRUCTIONS

13

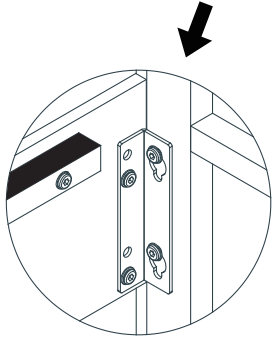
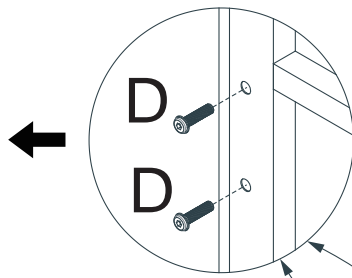
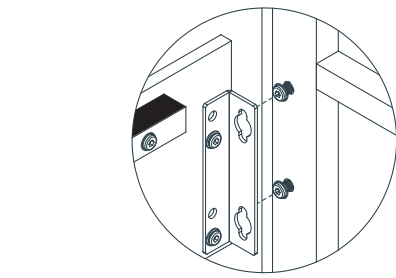


14

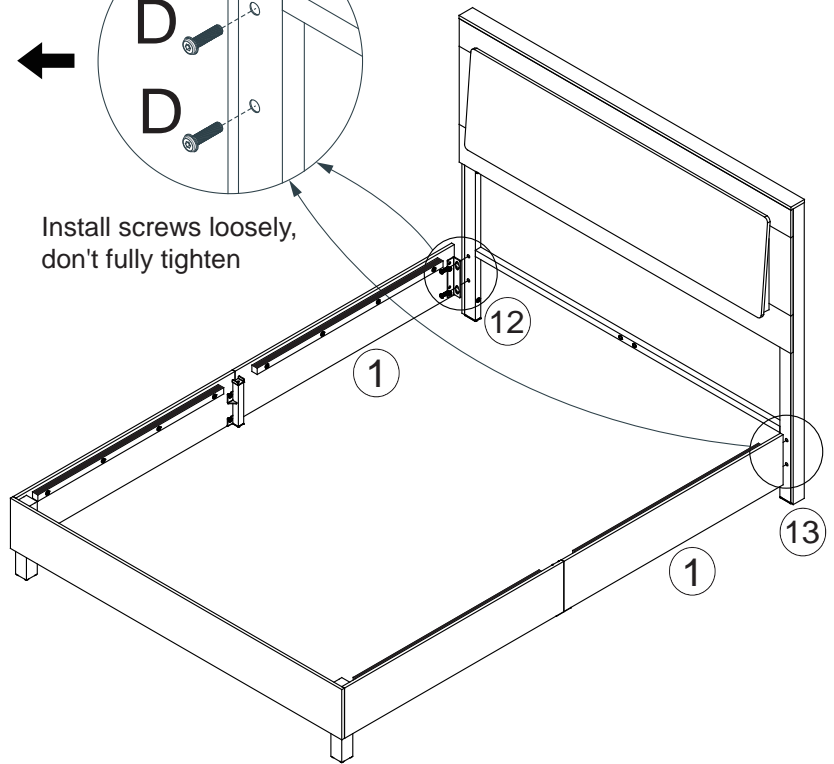



# ASSEMBLY INSTRUCTIONS

15

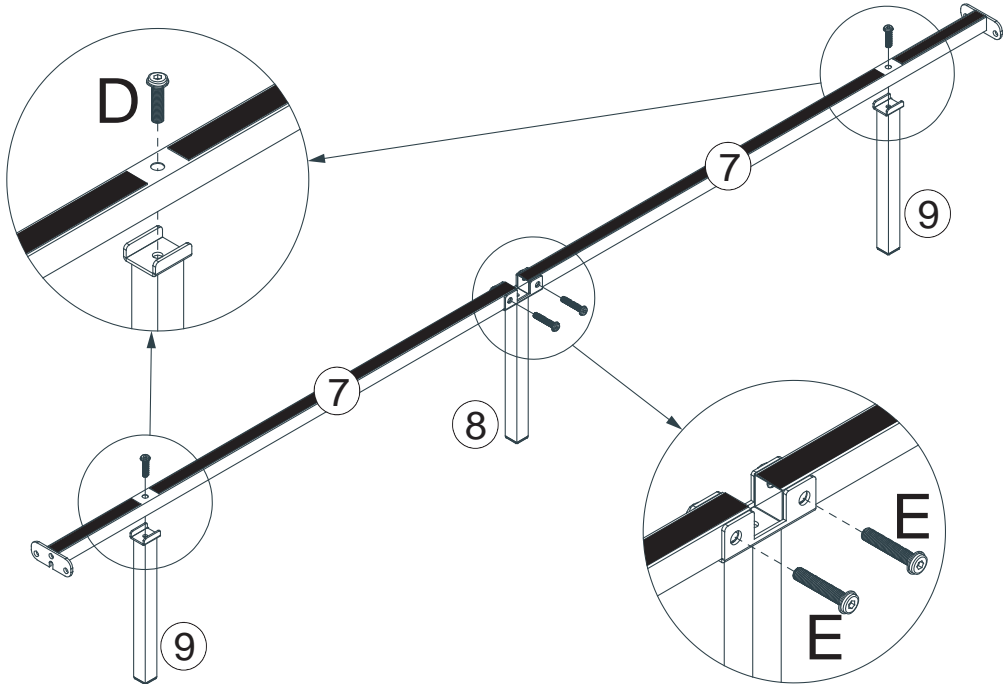




Tighten screws D



D		4 pcs
	M8x33	

16

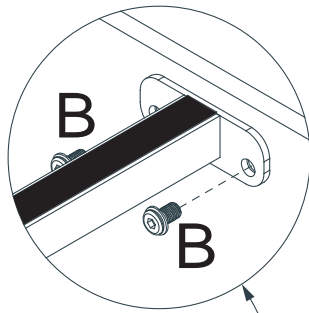


D		2 pcs
	M8x33	
E		2 pcs
	M8x45	

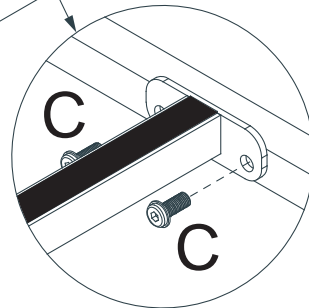
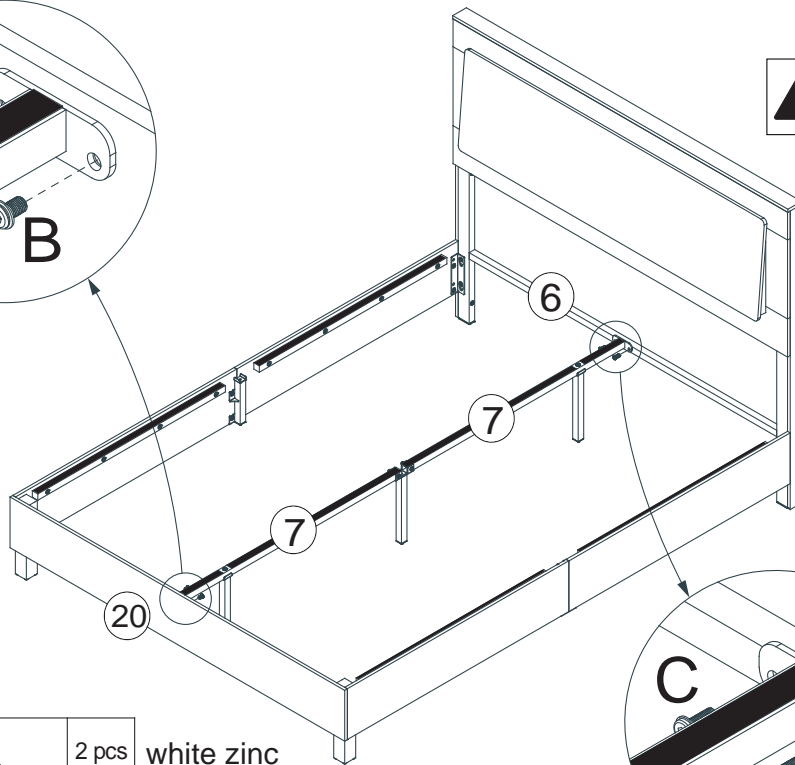
**⚠** Do not fully tighten the screws yet.



# ASSEMBLY INSTRUCTIONS

17

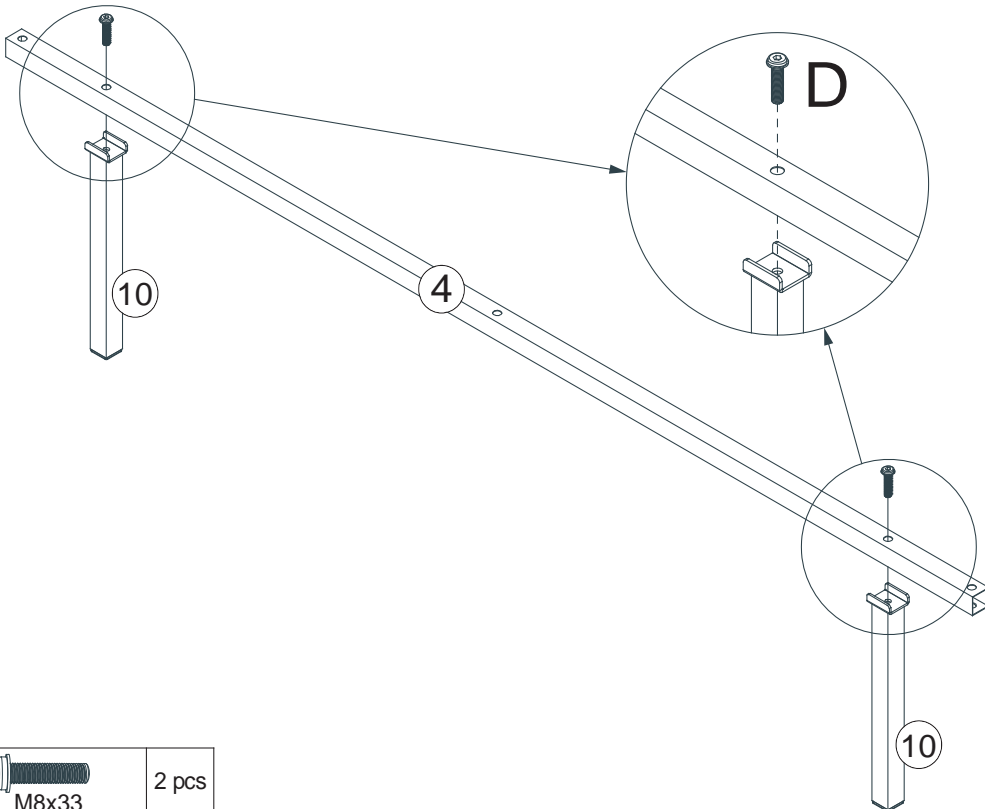


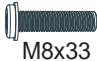
**!** The screws in this step need to be tightened.



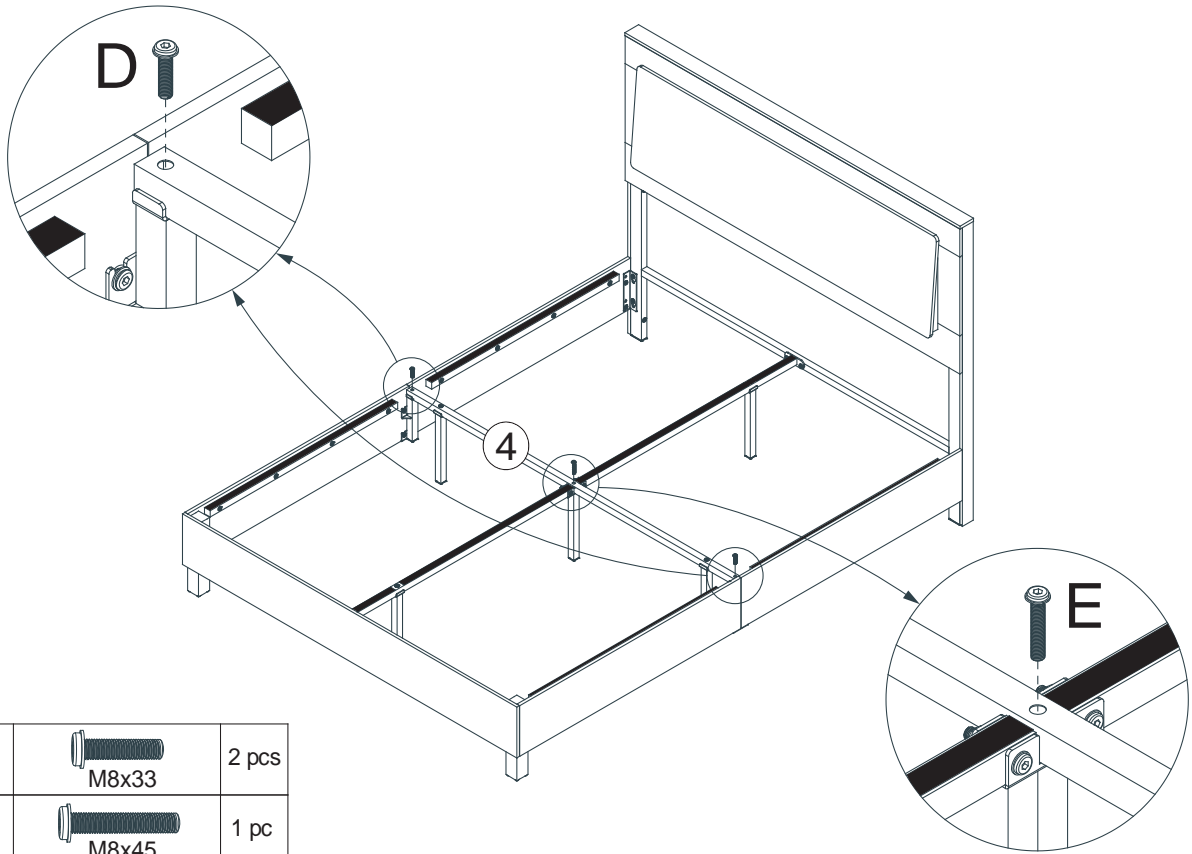
B		2 pcs	white zinc
C		2 pcs	

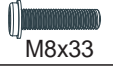

18



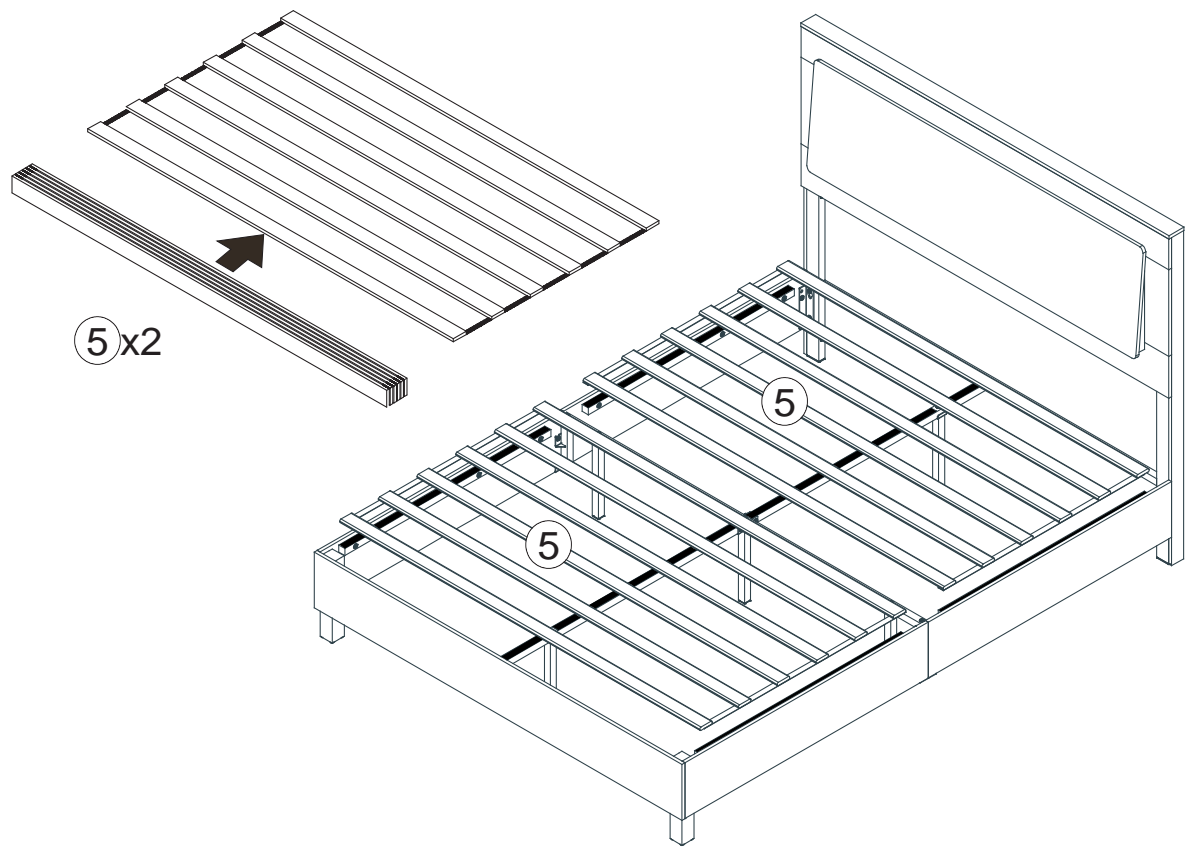
D		2 pcs	
---	---	-------	--

19



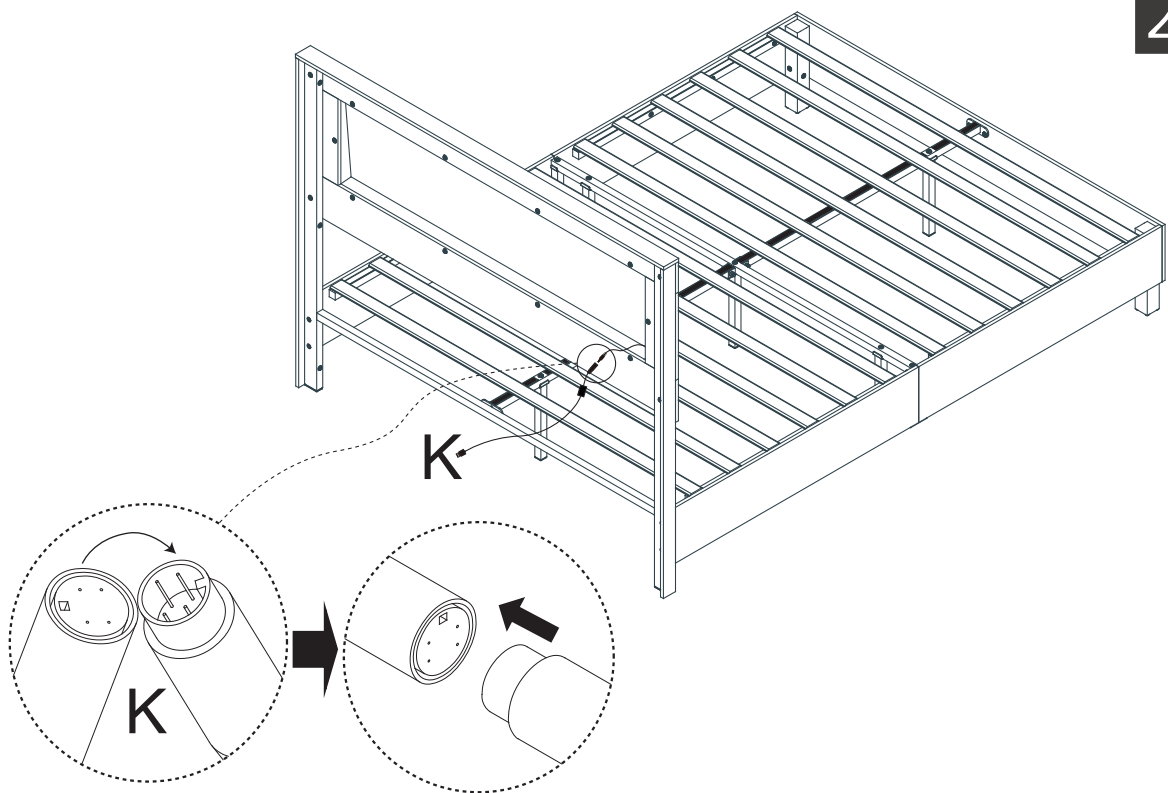
D	 M8x33	2 pcs
E	 M8x45	1 pc

20



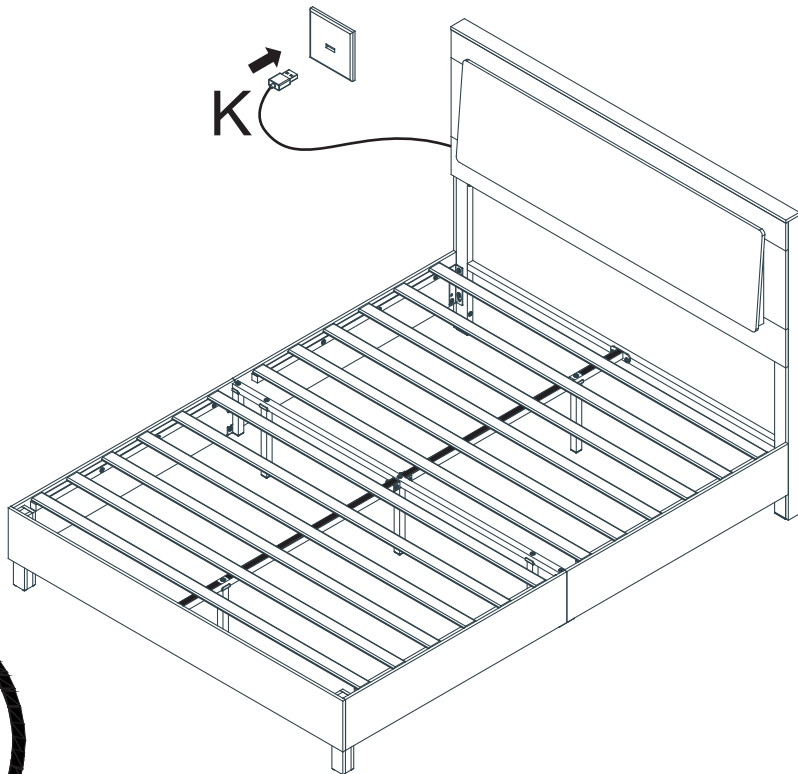
# ASSEMBLY INSTRUCTIONS

21



K		1pc
---	---	-----

22



Installation Complete