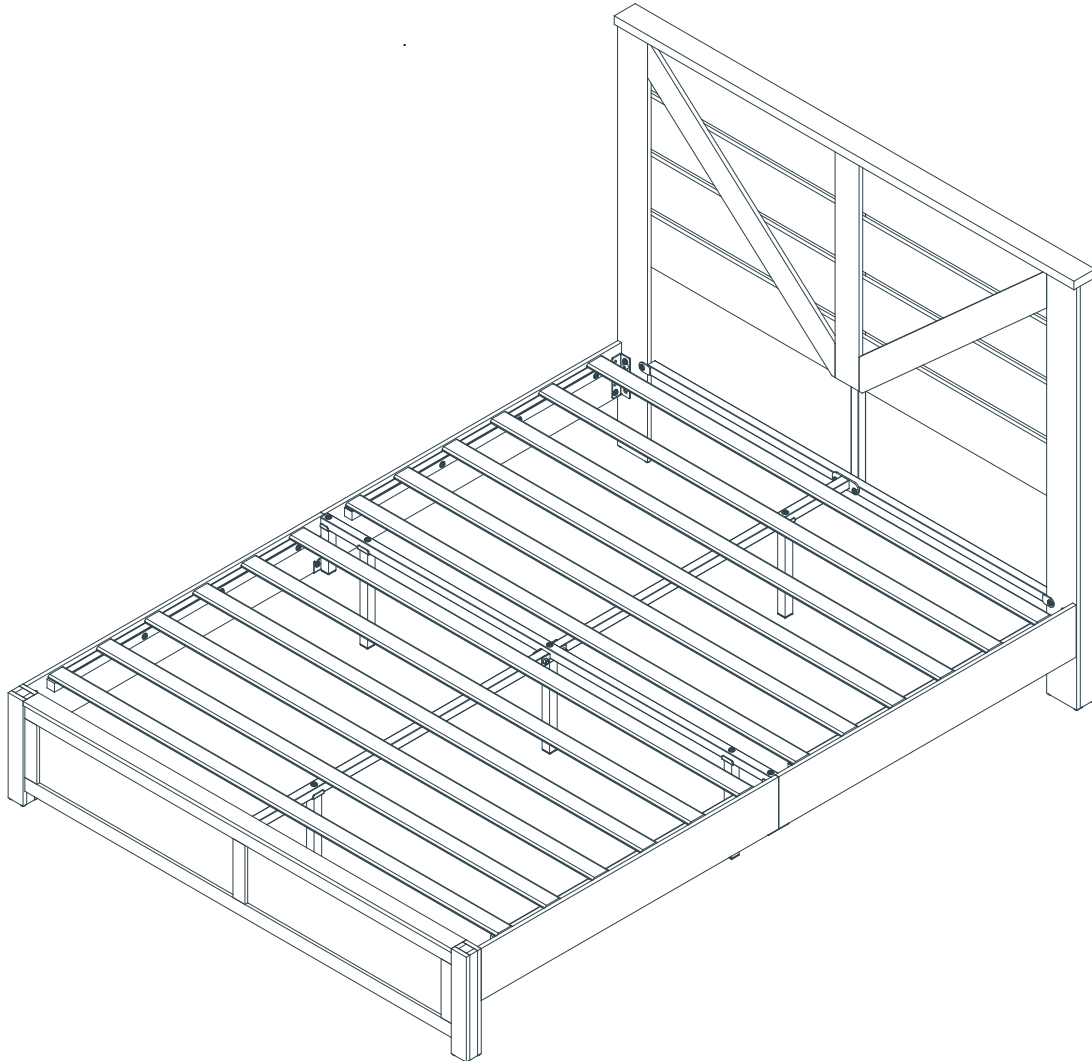


Half Barn Door Ironwood Bed



Friendly Customer Service

Satisfaction Guarantees: Any problems with assembly, quality, or return, please feel free to contact us directly.

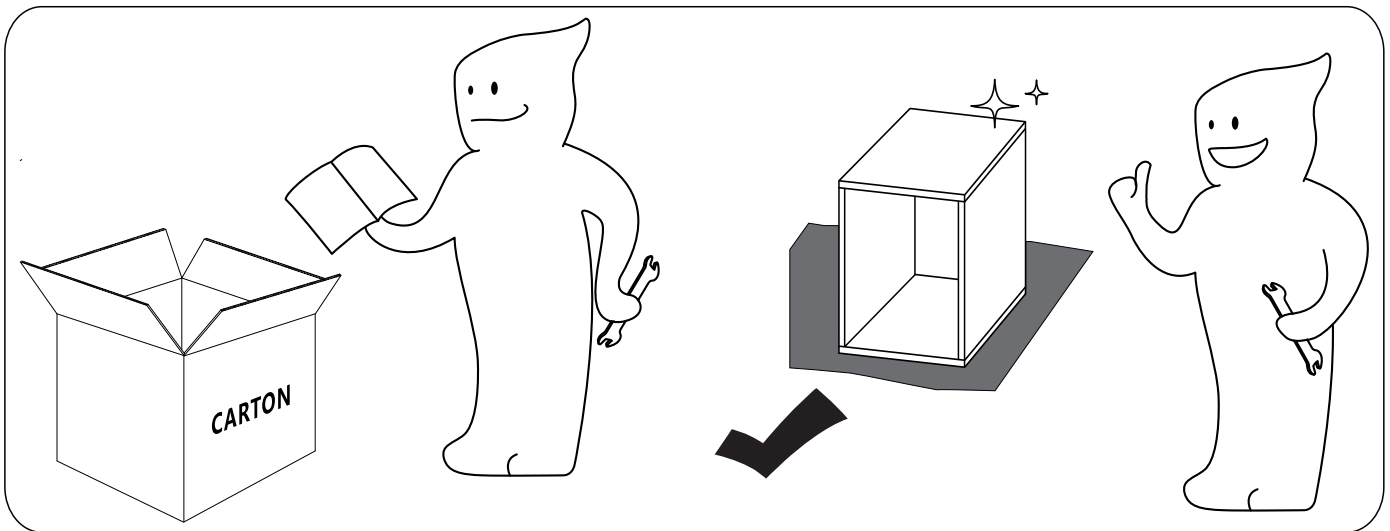
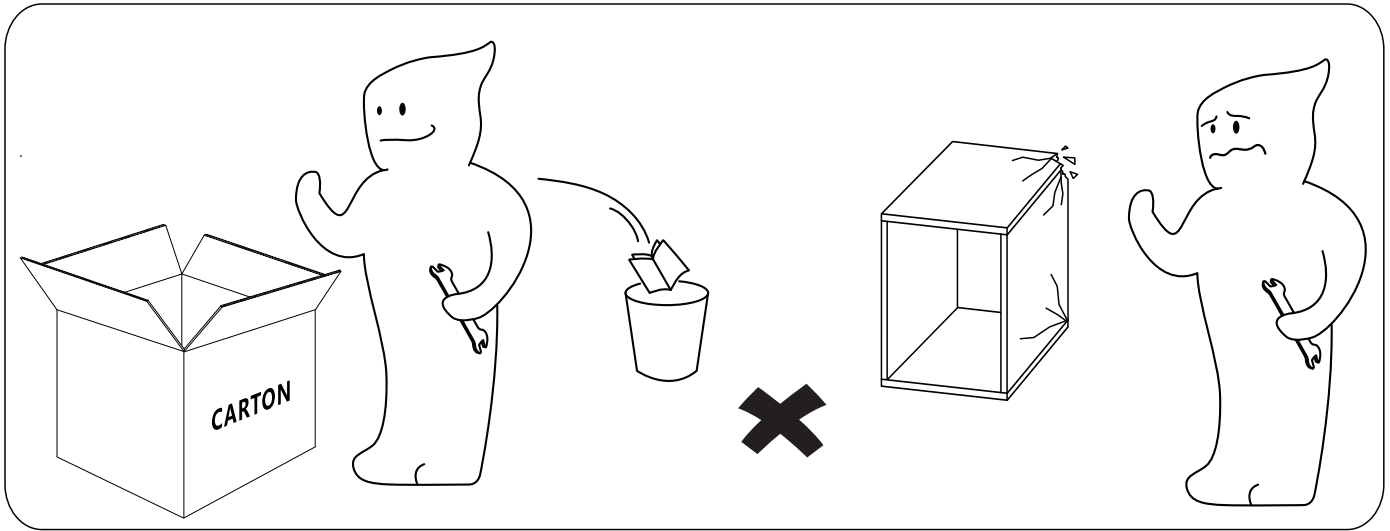
Contact us

Phone: +1 (901) 347-2181 (US) Mon-Fri 9am - 5pm (PST)

E-Mail: support@jocisland.com (Get efficient answer within 12 hours)

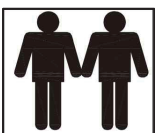
! IMPORTANT

Please follow the instruction manuals and use a pad to protect the product during your assembly.



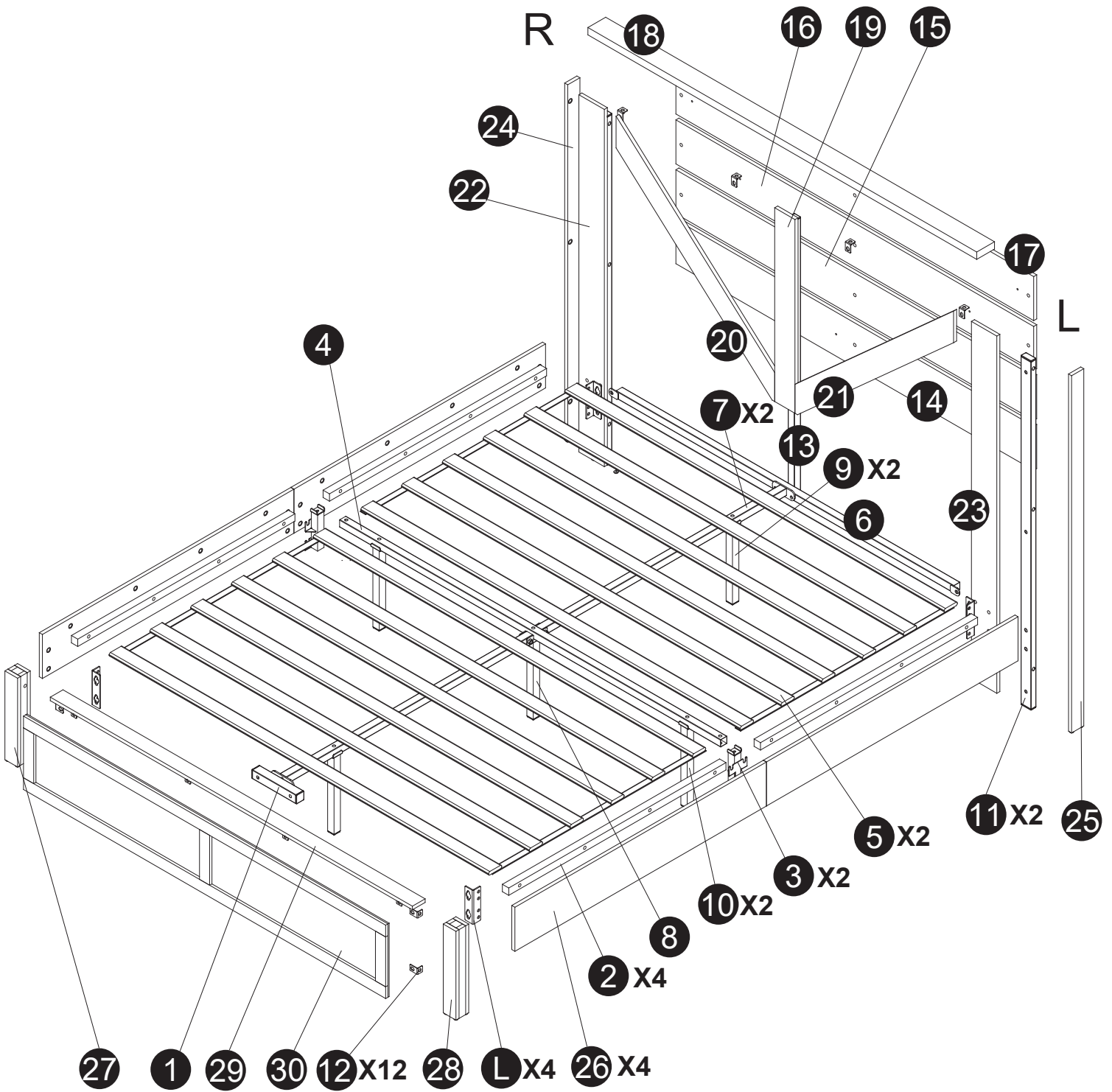
Note:

1. Should be assembled on flat ground to keep balance.
2. Before completing the installation, do not tighten the screws.



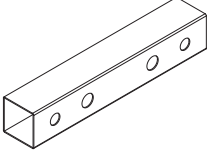
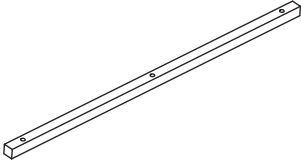
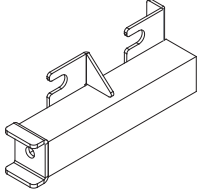
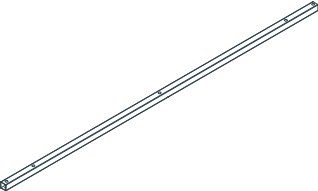
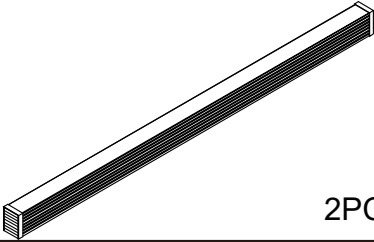
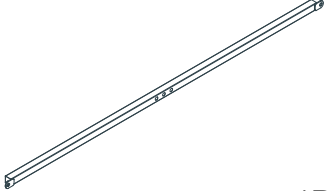
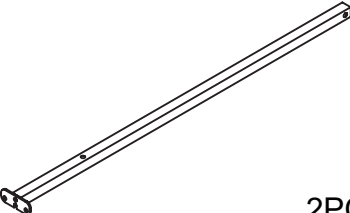
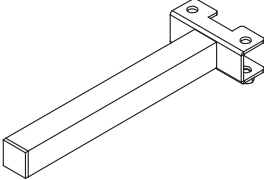
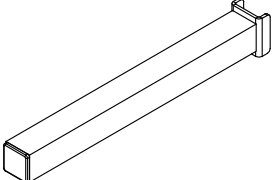
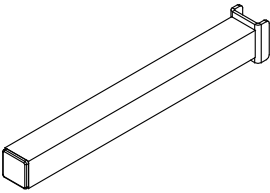
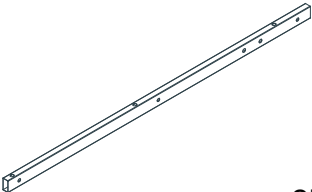
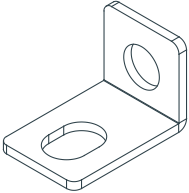
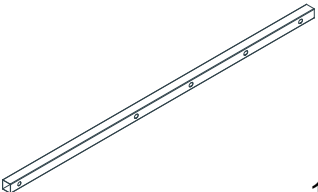
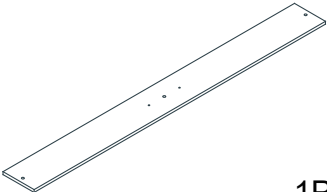
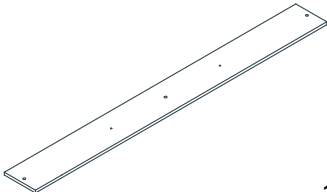
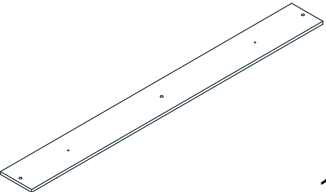
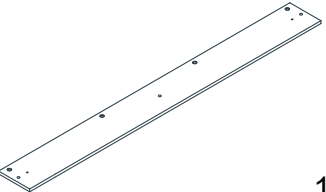
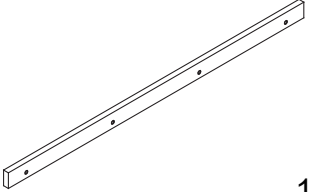
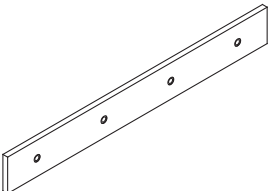
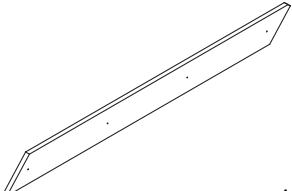
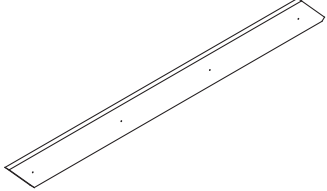
For easier and better assembly, **2** or more adults are required.

ASSEMBLY INSTRUCTIONS

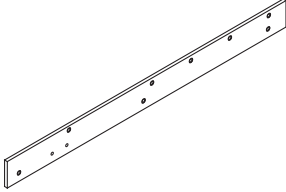
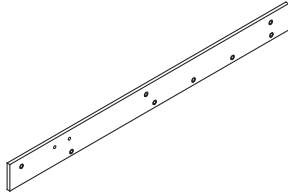
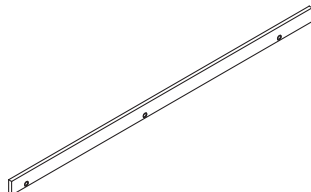
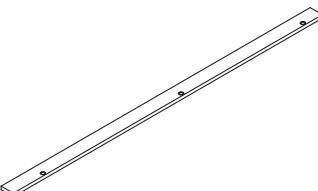
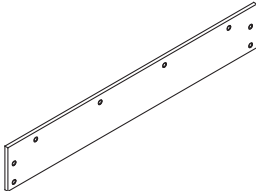
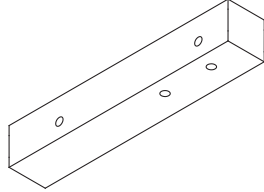
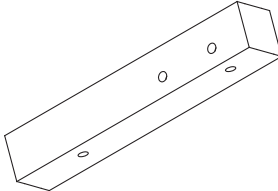
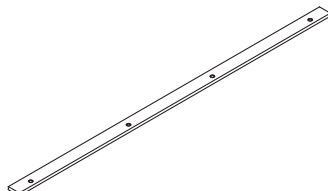
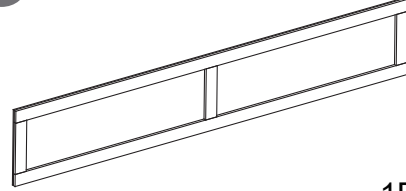
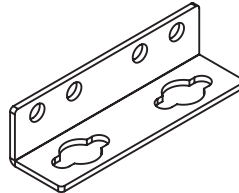

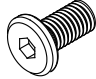
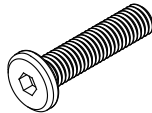
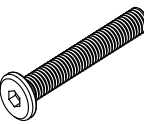
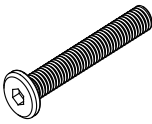
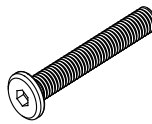




ASSEMBLY INSTRUCTIONS

PARTS LIST

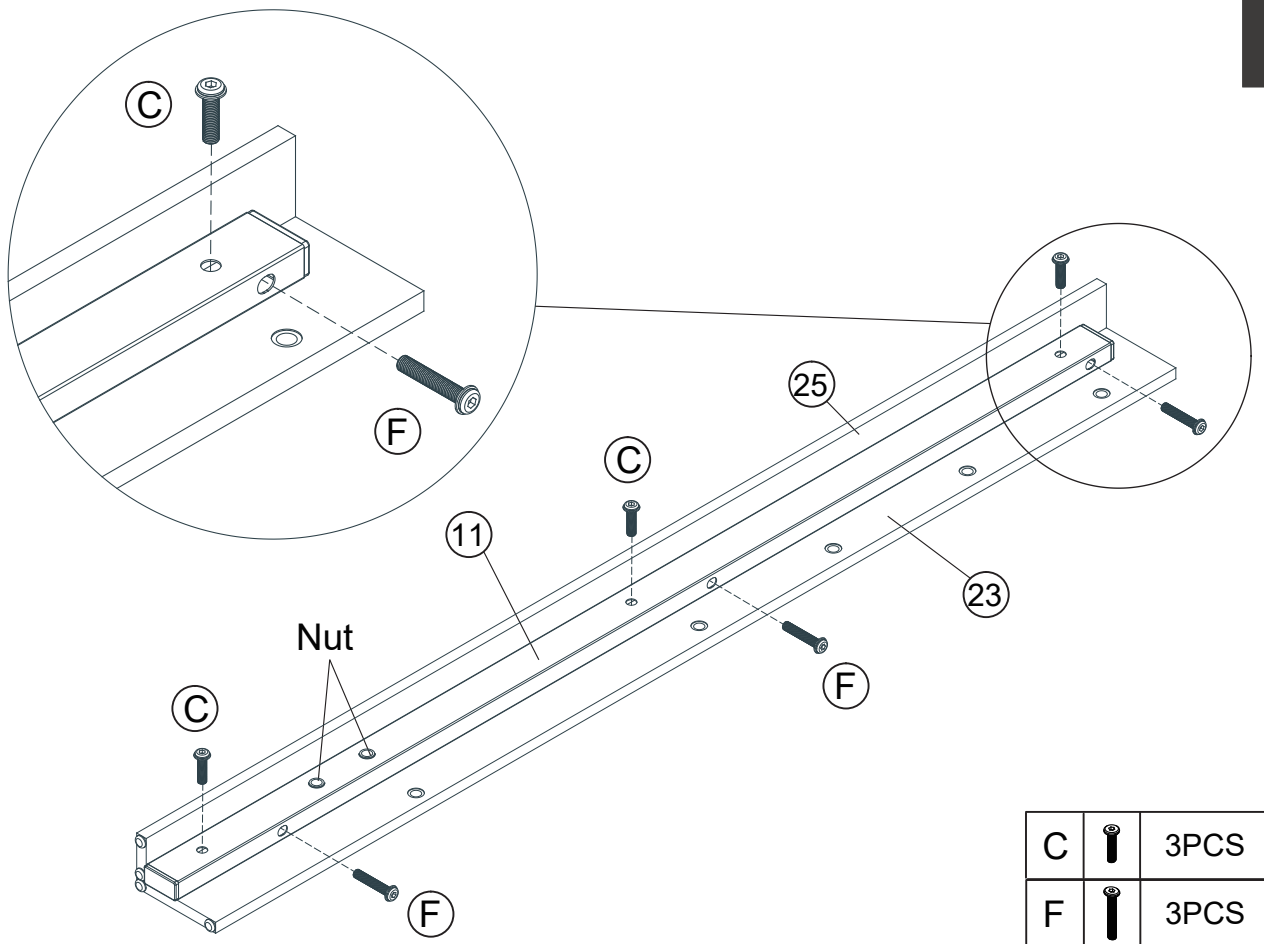
 <p>1</p> <p>1PC</p>	 <p>2</p> <p>4PCS</p>	 <p>3</p> <p>2PCS</p>
 <p>4</p> <p>1PC</p>	 <p>5</p> <p>2PCS</p>	 <p>6</p> <p>1PC</p>
 <p>7</p> <p>2PC</p>	 <p>8</p> <p>1PCS</p>	 <p>9</p> <p>2PCS</p>
 <p>10</p> <p>2PCS</p>	 <p>11</p> <p>2PCS</p>	 <p>12</p> <p>12PCS</p>
 <p>13</p> <p>1PC</p>	 <p>14</p> <p>1PC</p>	 <p>15</p> <p>1PC</p>
 <p>16</p> <p>1PC</p>	 <p>17</p> <p>1PC</p>	 <p>18</p> <p>1PC</p>
 <p>19</p> <p>1PC</p>	 <p>20</p> <p>1PC</p>	 <p>21</p> <p>1PC</p>



ASSEMBLY INSTRUCTIONS

<p>22</p>  <p>1PC</p>	<p>23</p>  <p>1PC</p>	<p>24</p>  <p>1PC</p>
<p>25</p>  <p>1PC</p>	<p>26</p>  <p>4PCS</p>	<p>27</p>  <p>1PC</p>
<p>28</p>  <p>1PC</p>	<p>29</p>  <p>1PC</p>	<p>30</p>  <p>1PC</p>
<p>L</p>  <p>4PCS</p>		
<p>A</p>  <p>M8*12</p> <p>44PCS</p>	<p>B</p>  <p>M8*20</p> <p>14PCS</p>	<p>C</p>  <p>M8*30</p> <p>6PCS</p>
<p>D</p>  <p>M8*35</p> <p>White zinc</p> <p>20PCS</p>	<p>E</p>  <p>M8*40</p> <p>10PCS</p>	<p>F</p>  <p>M8*47</p> <p>12PCS</p>
<p>G</p>  <p>ST4.2*20</p> <p>8PCS</p>	<p>H</p>  <p>M8</p> <p>1PC</p>	

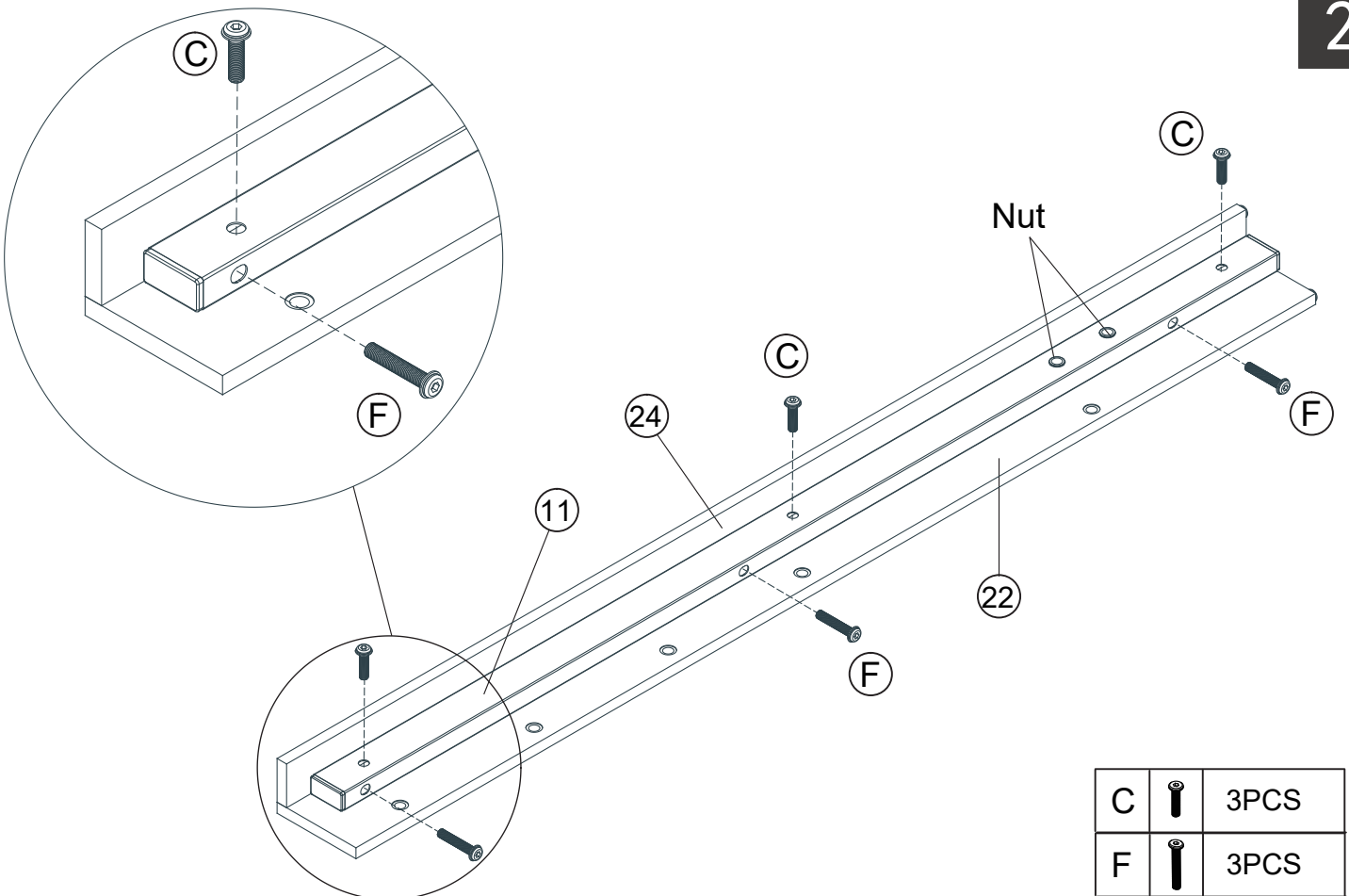
ASSEMBLY INSTRUCTIONS



1



C		3PCS
F		3PCS

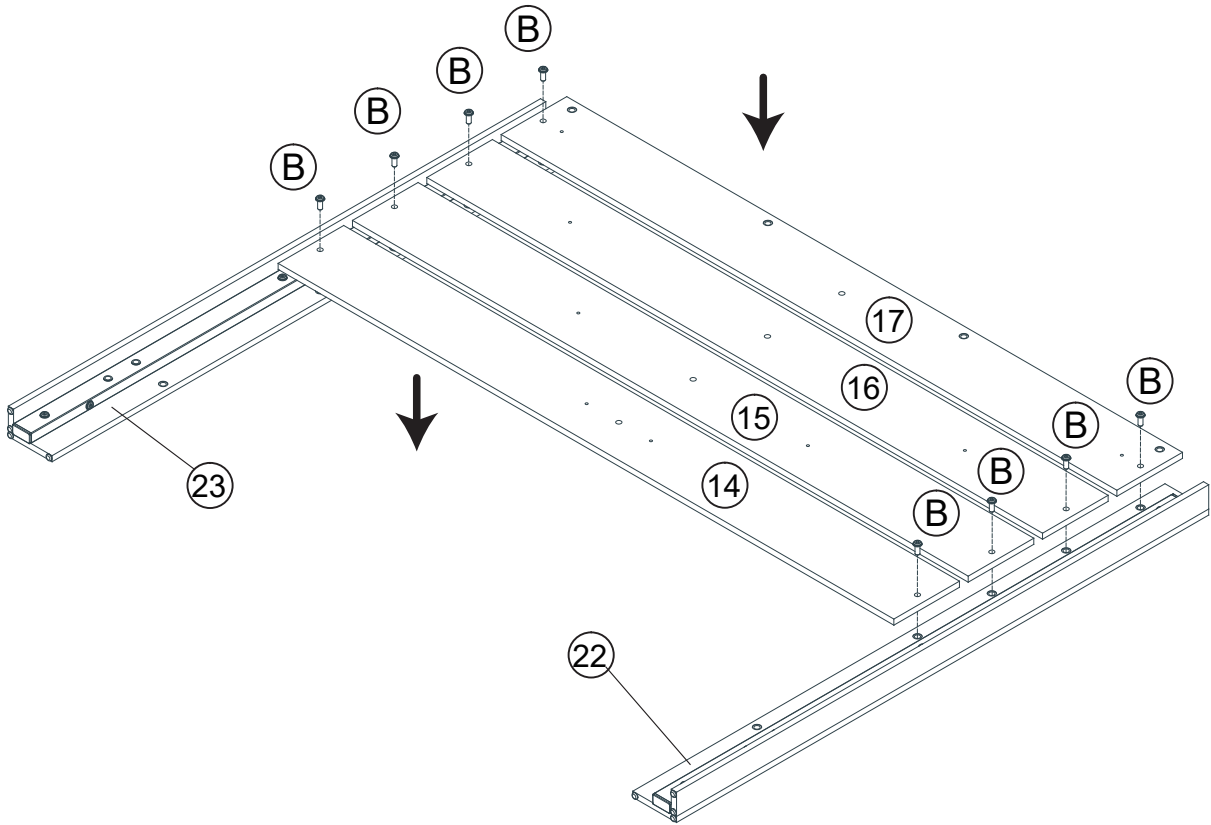
2



C		3PCS
F		3PCS

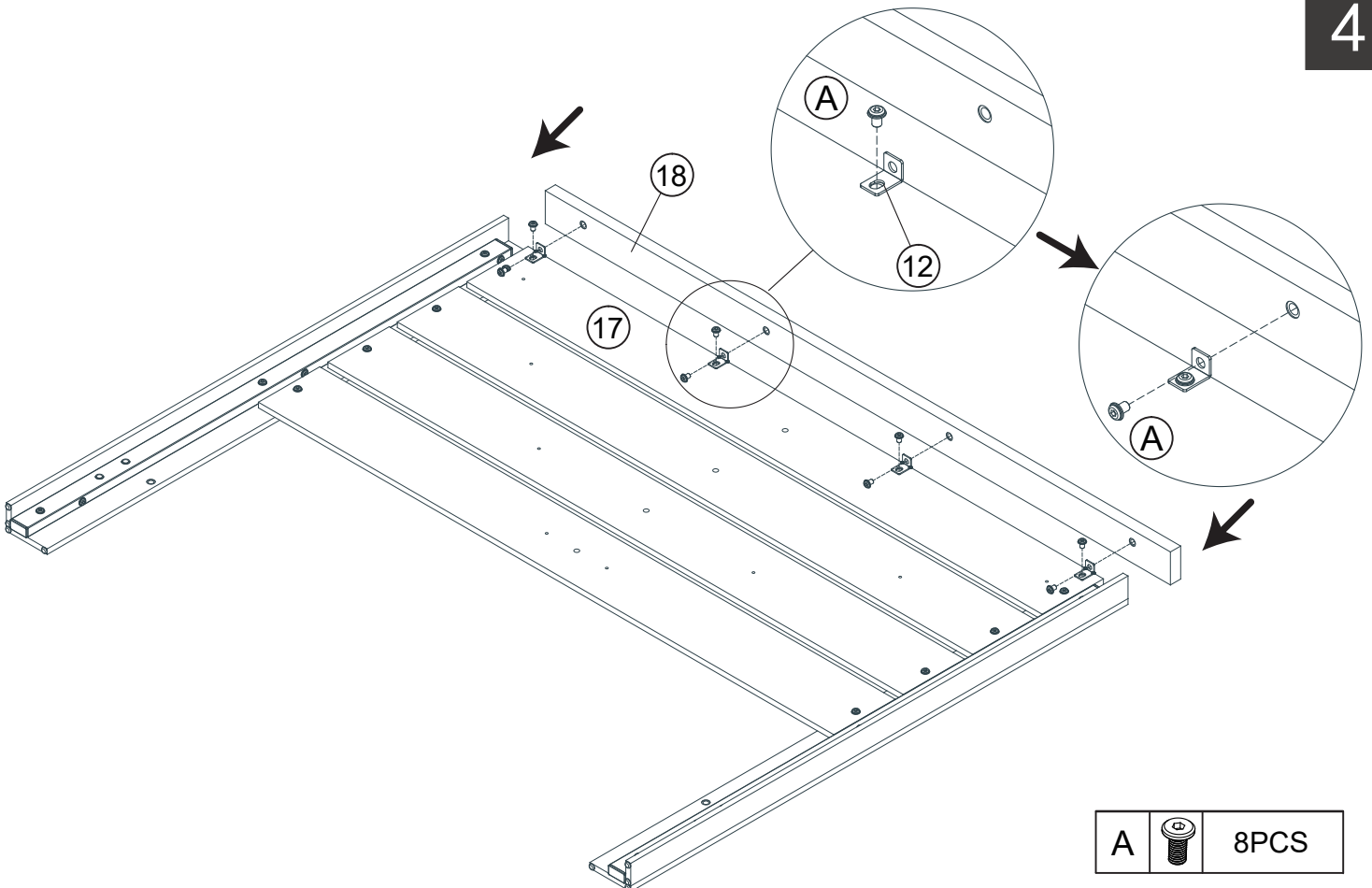
ASSEMBLY INSTRUCTIONS

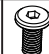
3



B		8PCS
---	---	------

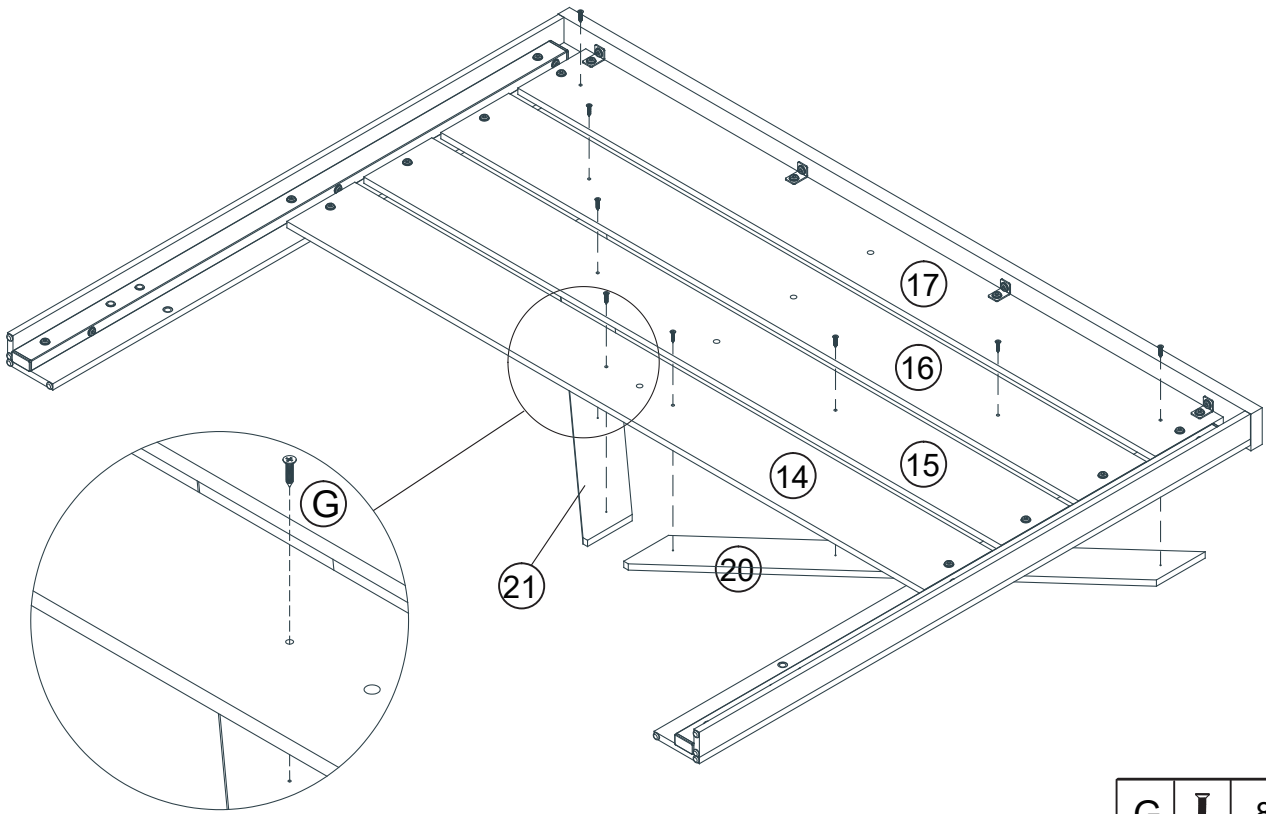
4




A		8PCS
---	---	------

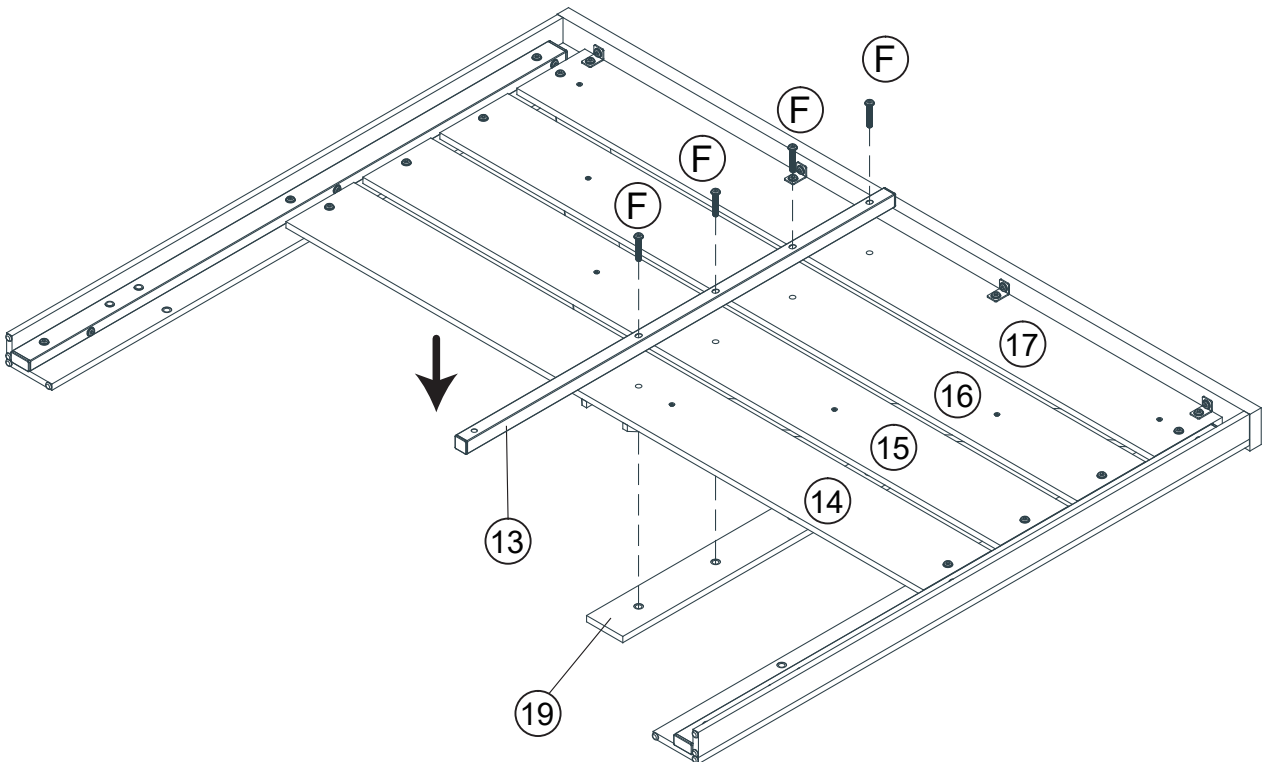
ASSEMBLY INSTRUCTIONS


5



G		8PCS
---	---	------

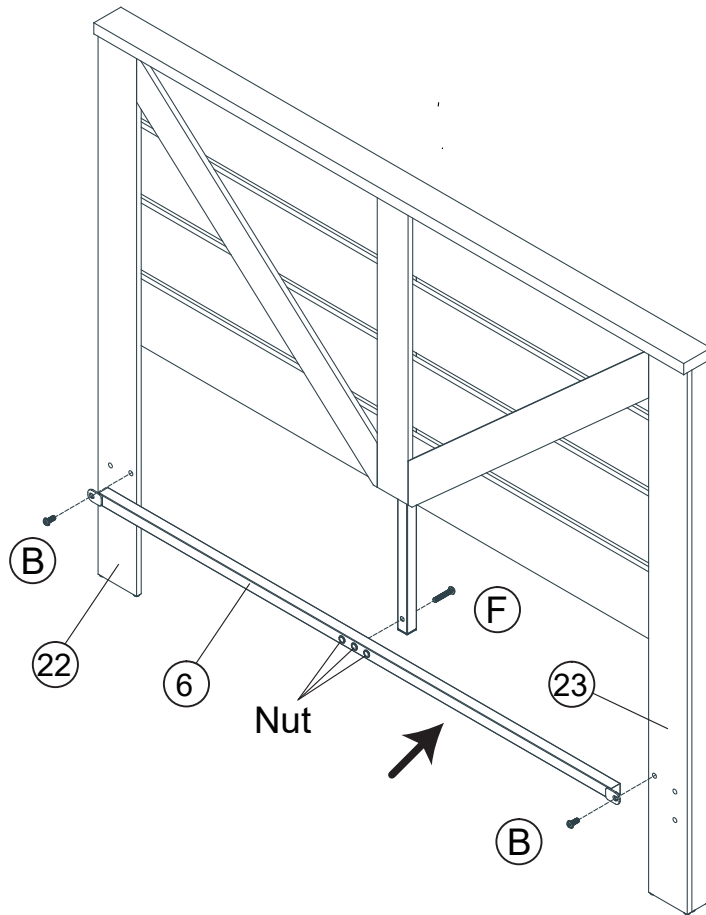
6





F		4PCS
---	---	------

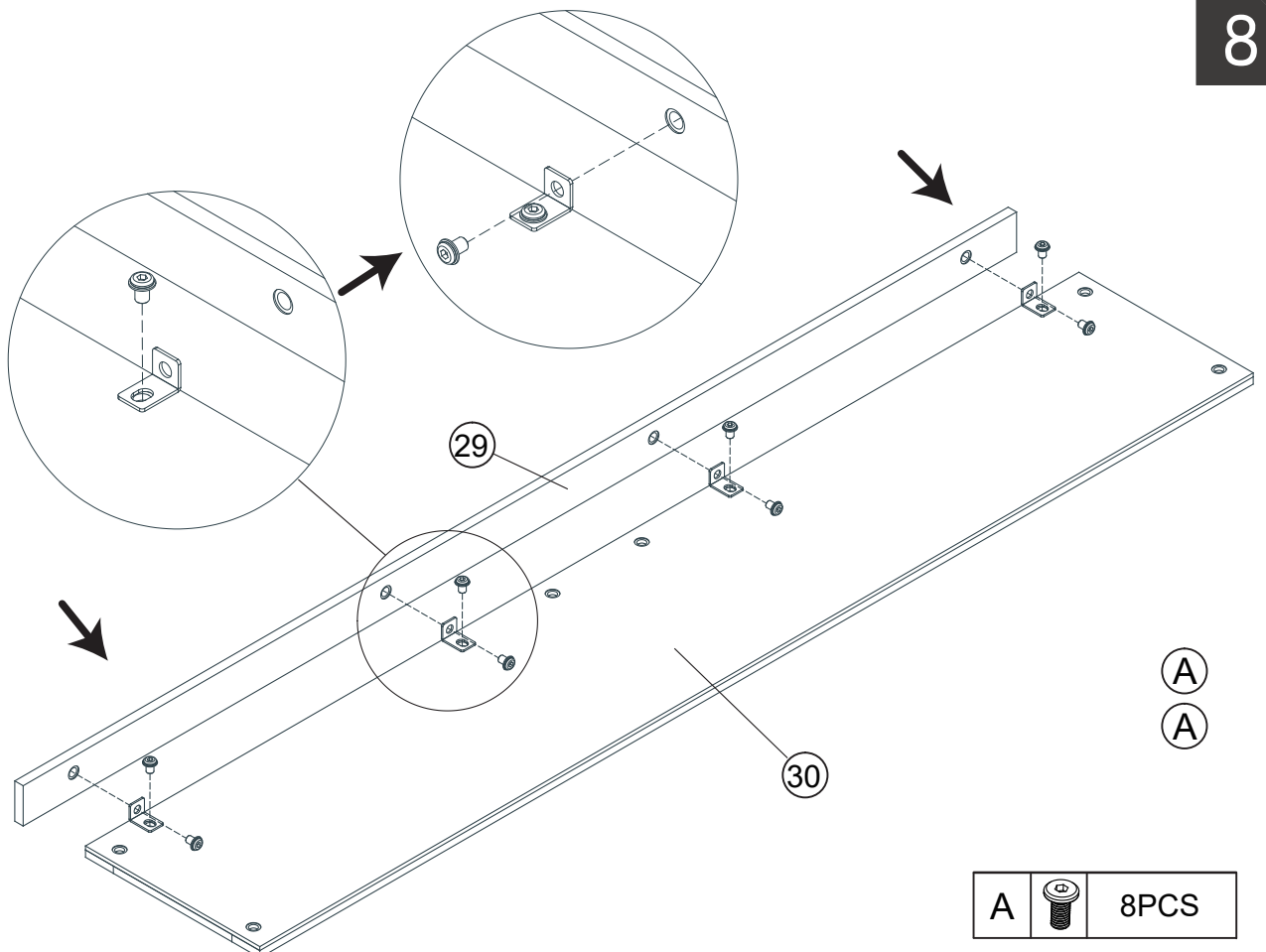
ASSEMBLY INSTRUCTIONS


7



B		2PCS
F		1PC

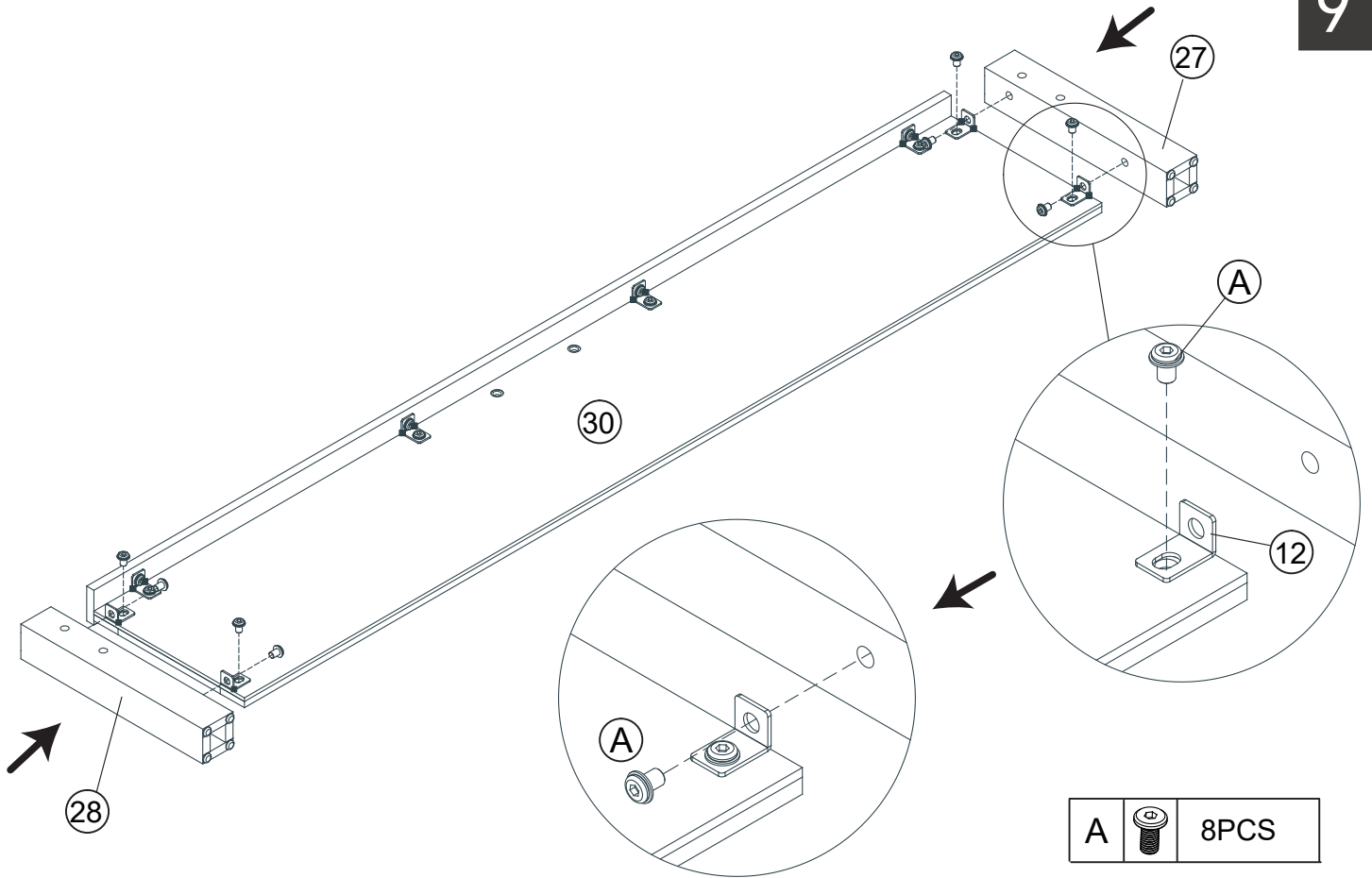
8



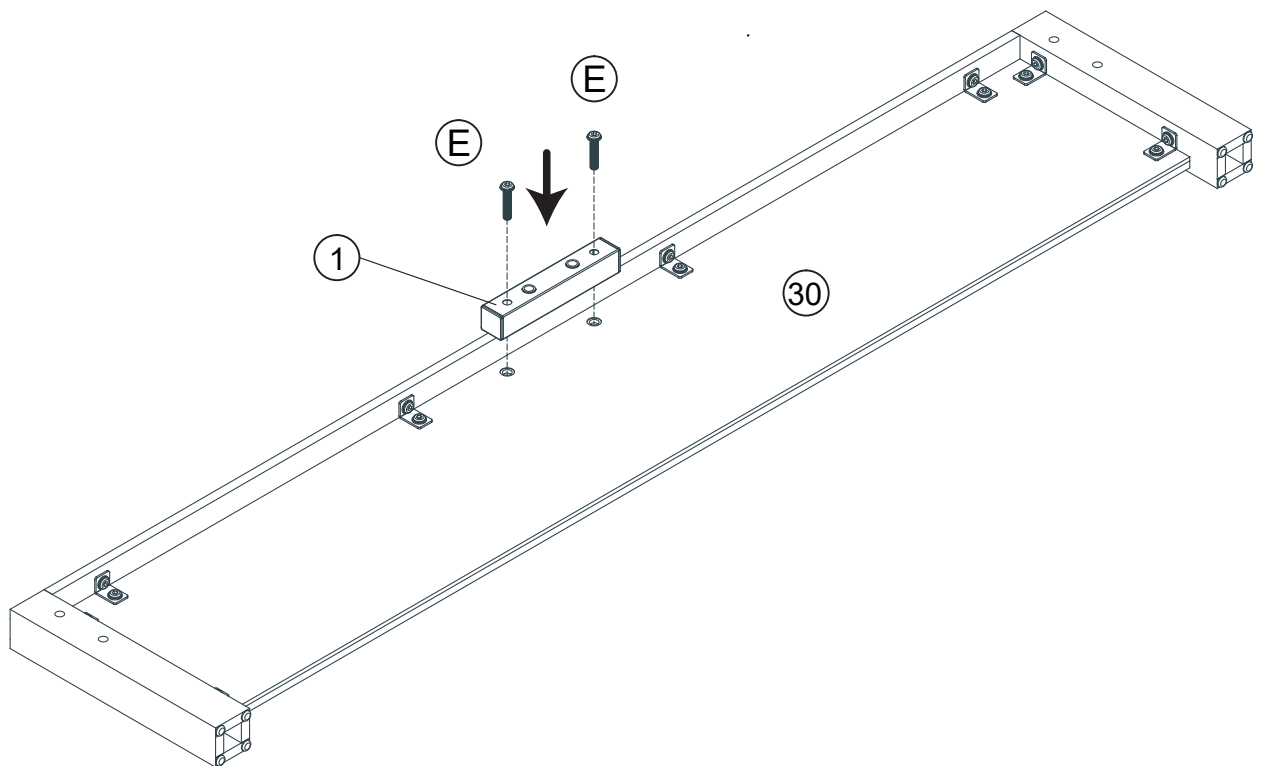
A		8PCS
---	---	------

ASSEMBLY INSTRUCTIONS

9

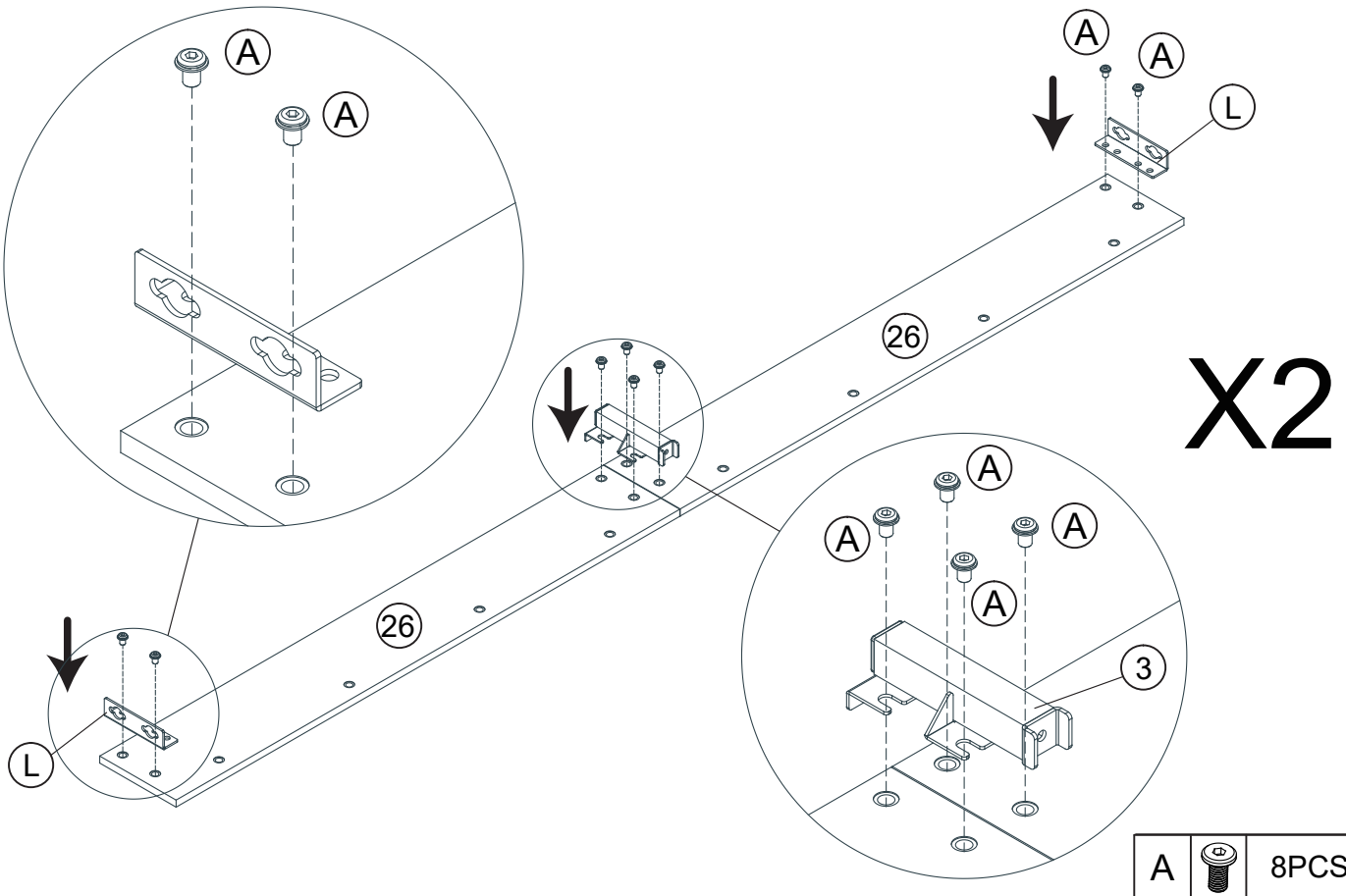


10

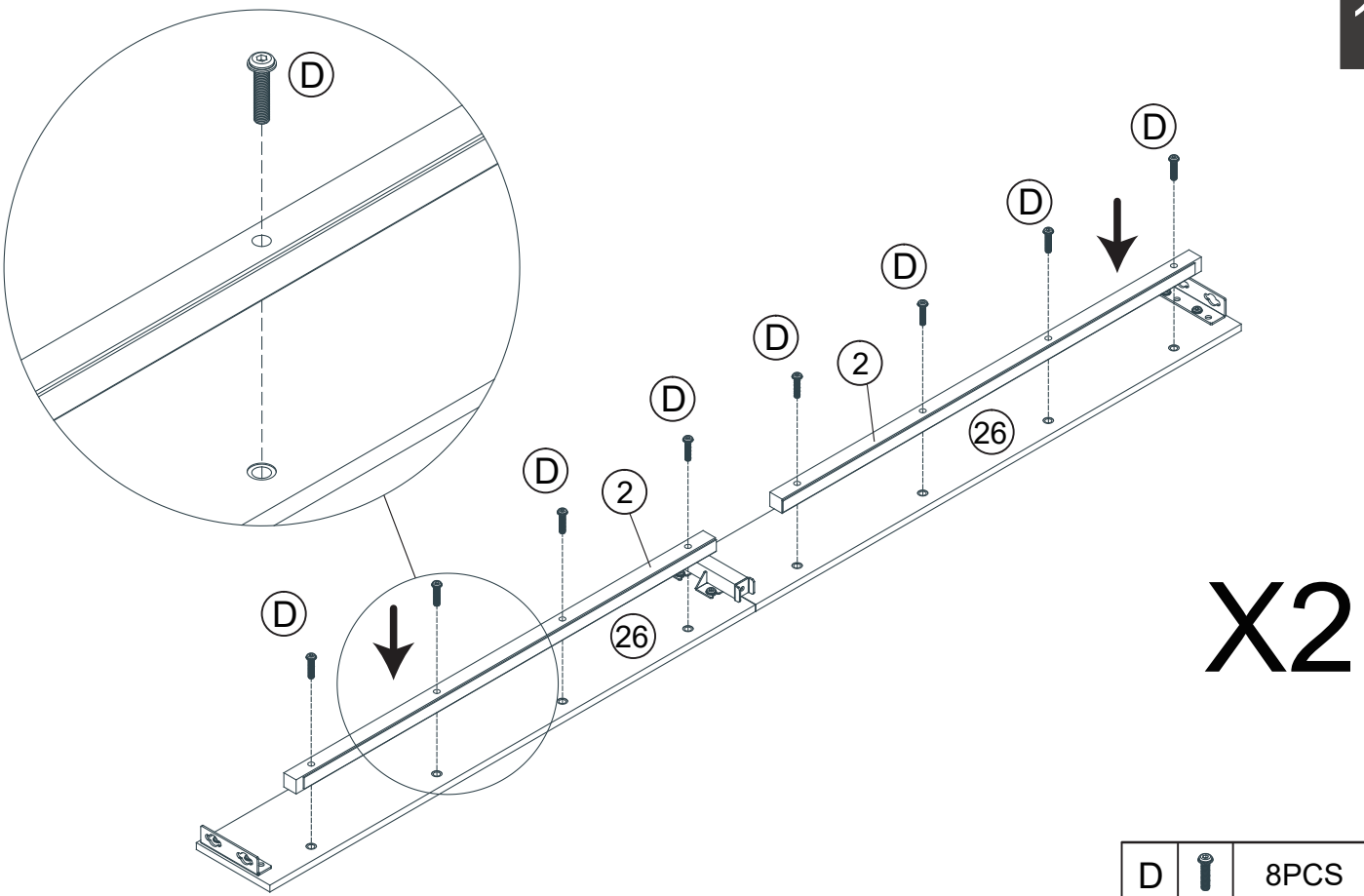


ASSEMBLY INSTRUCTIONS

11



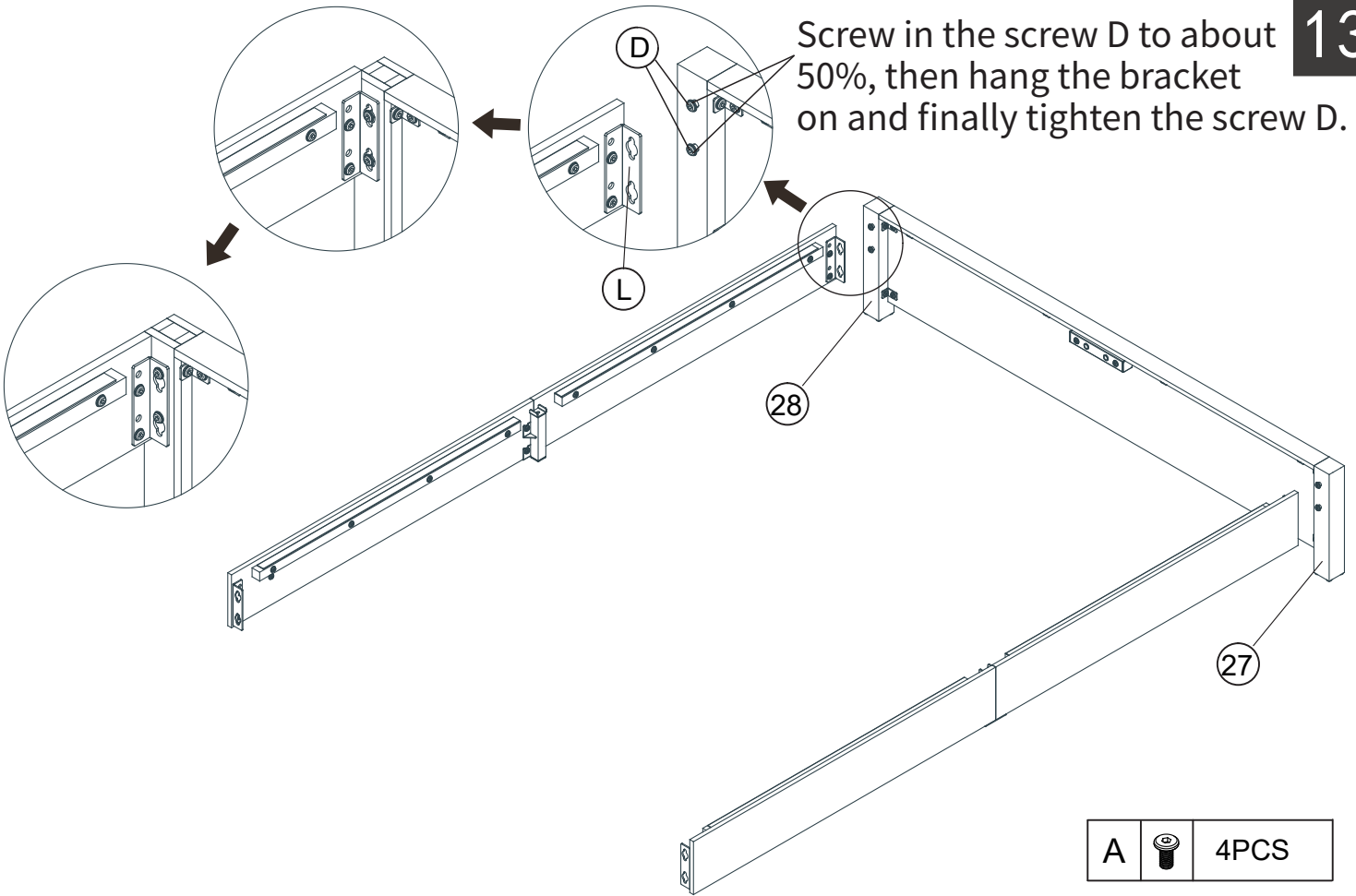
12



ASSEMBLY INSTRUCTIONS

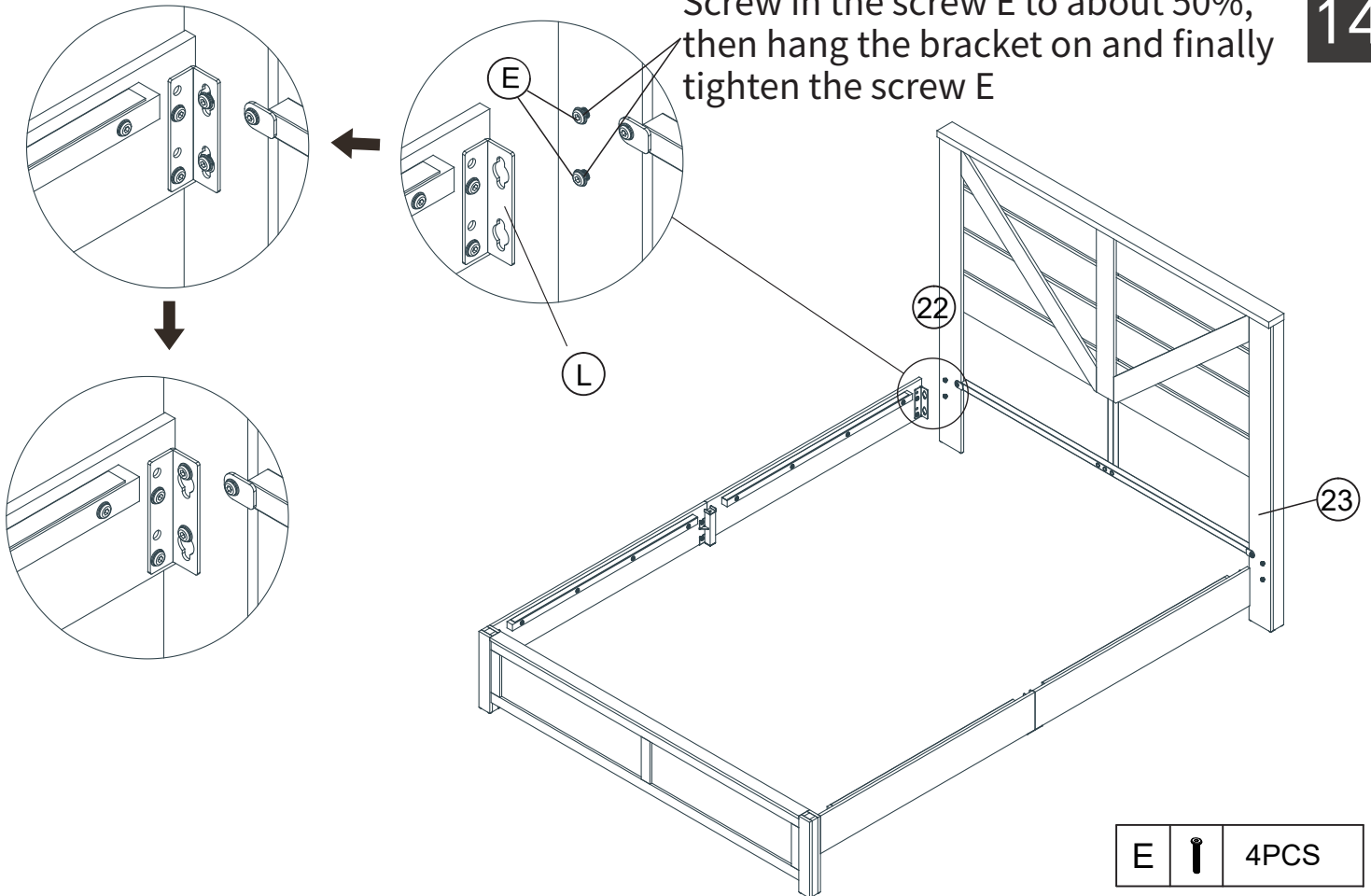
13

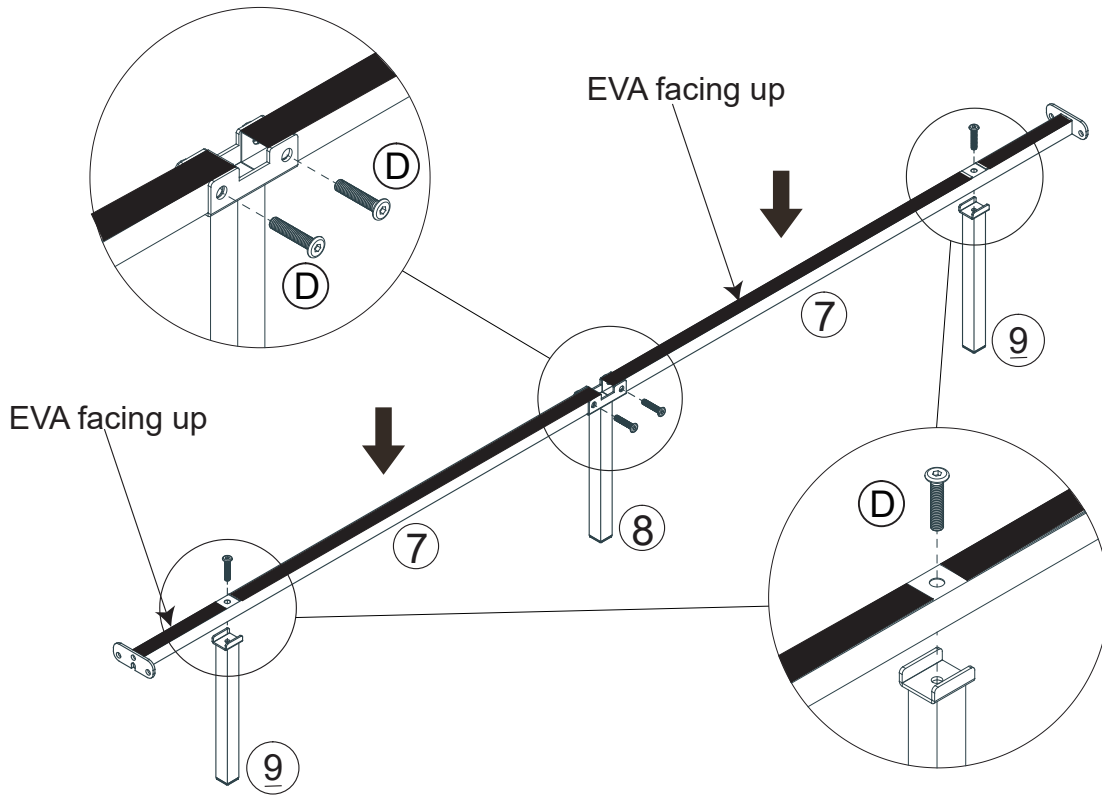
Screw in the screw D to about 50%, then hang the bracket on and finally tighten the screw D.



14

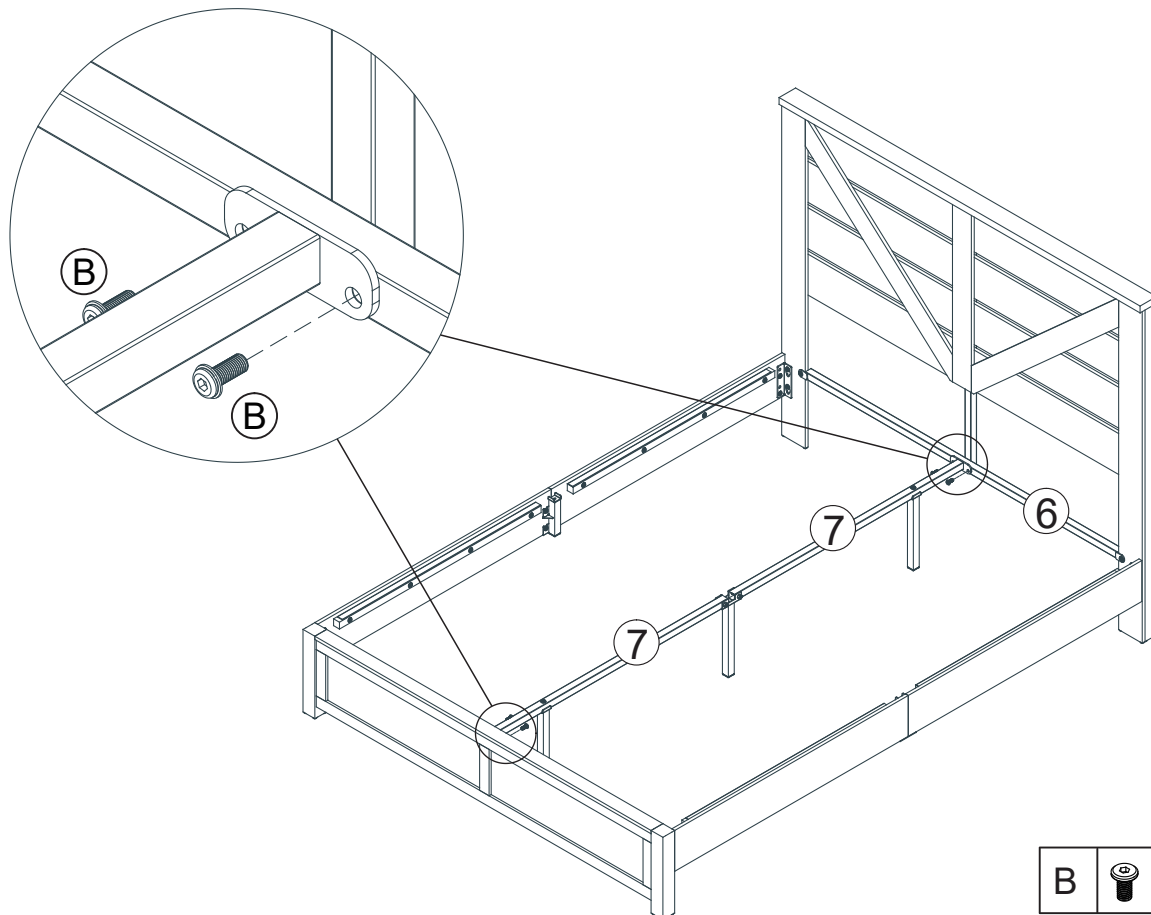
Screw in the screw E to about 50%, then hang the bracket on and finally tighten the screw E



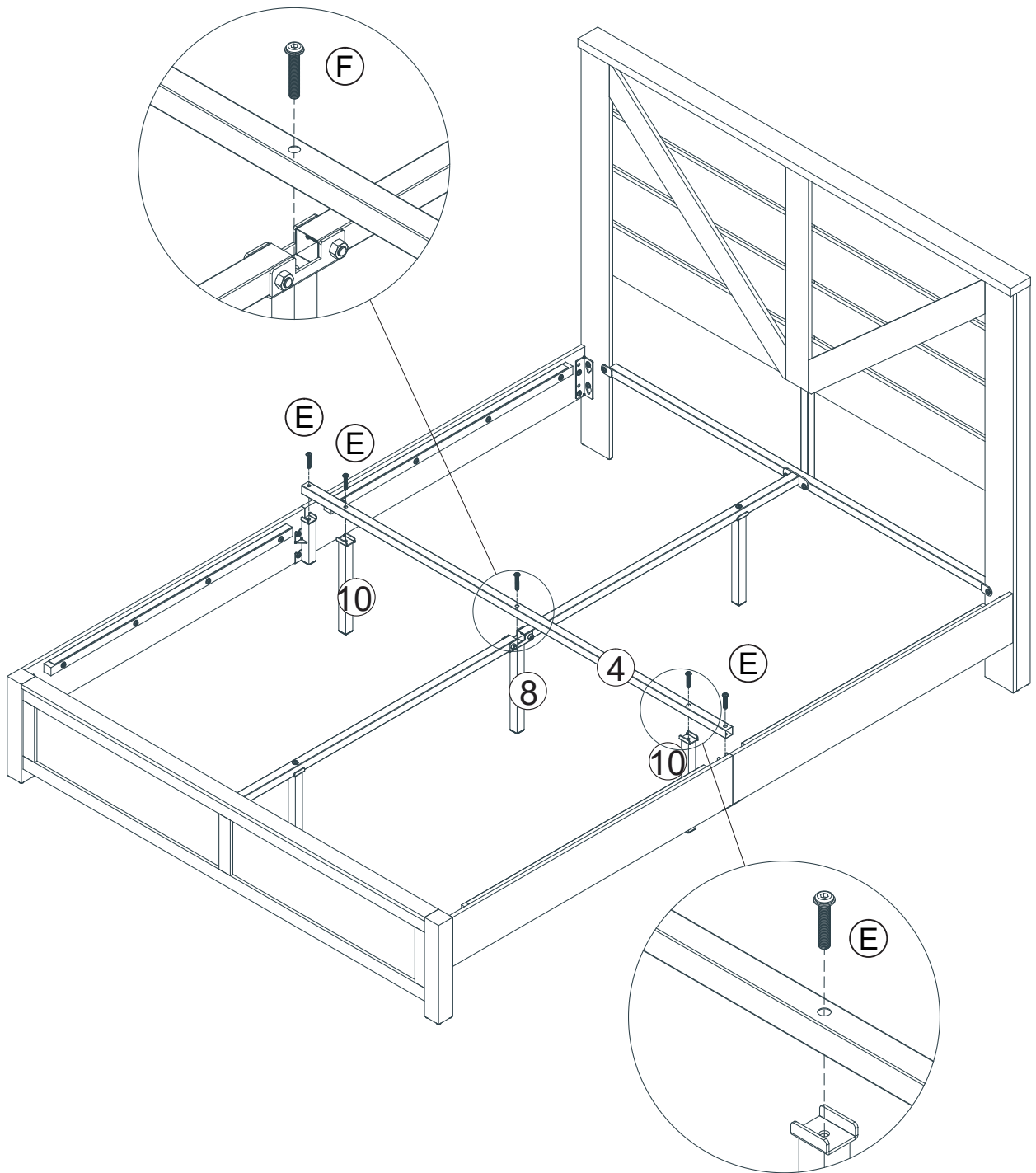




x2

D		4PCS
---	---	------

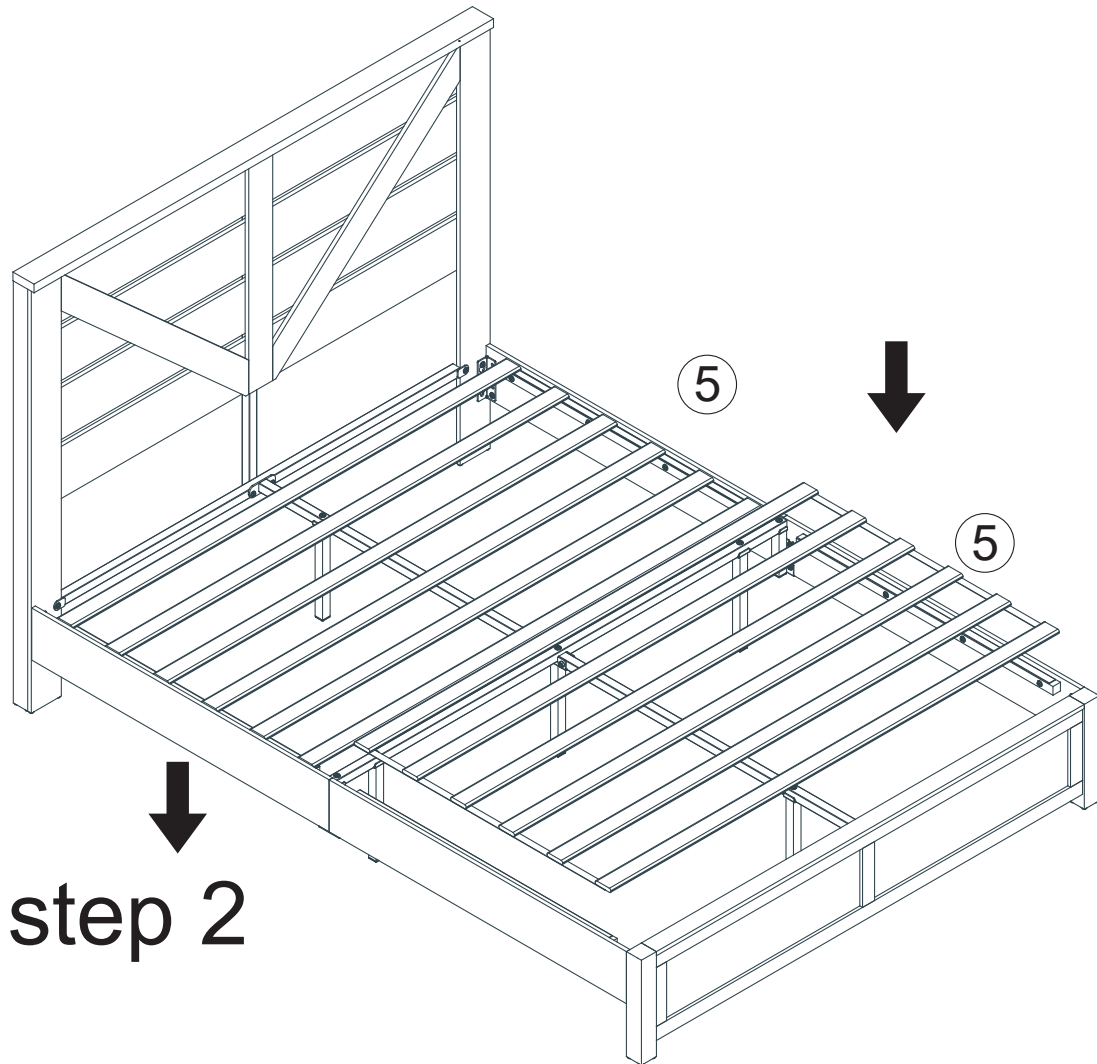
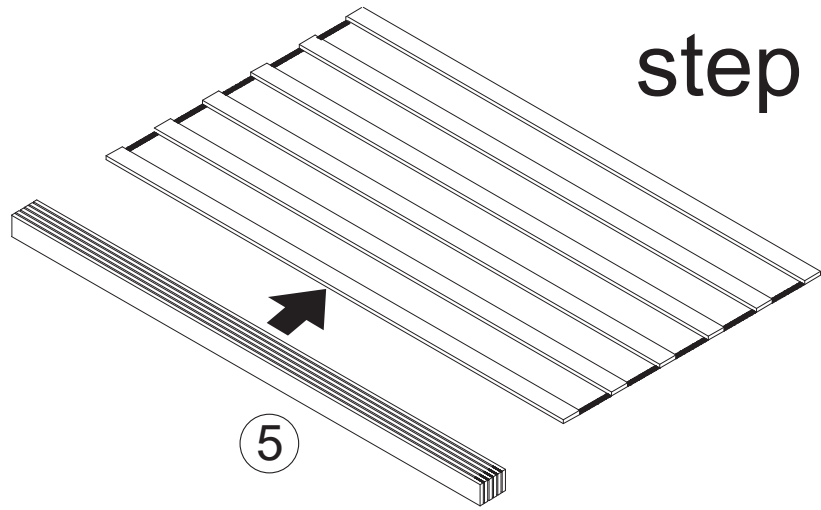


B		4PCS
---	---	------

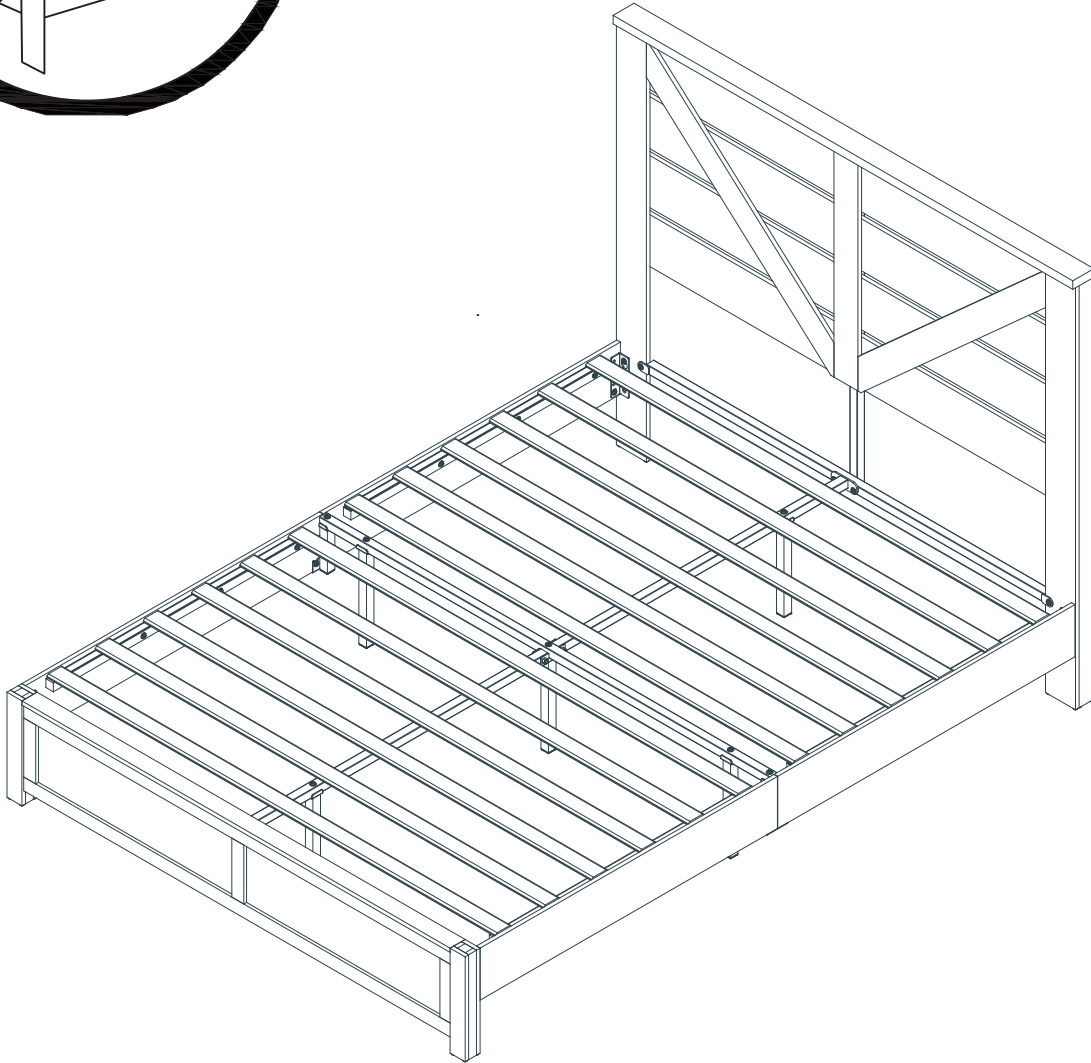


E		4PCS
F		1PC

step 1



step 2



Installation Complete