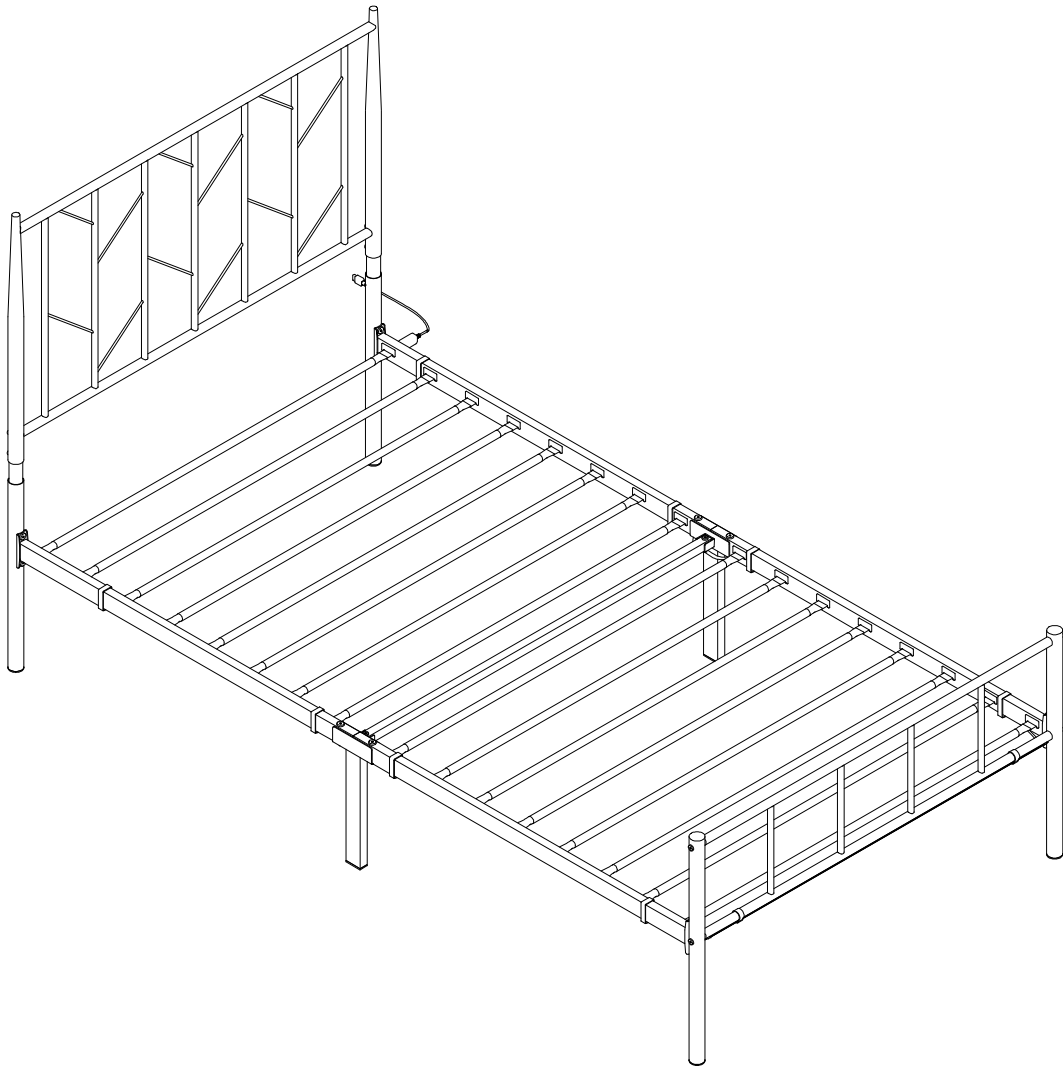


ASSEMBLY INSTRUCTIONS

Metal Bed Frame Assembly Instructions

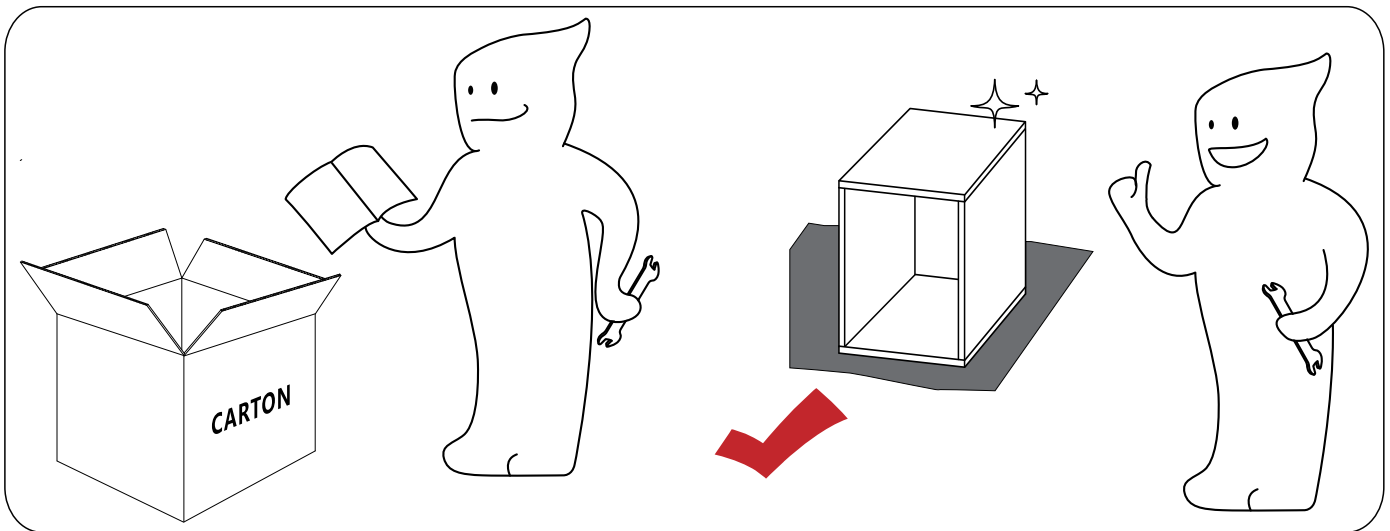
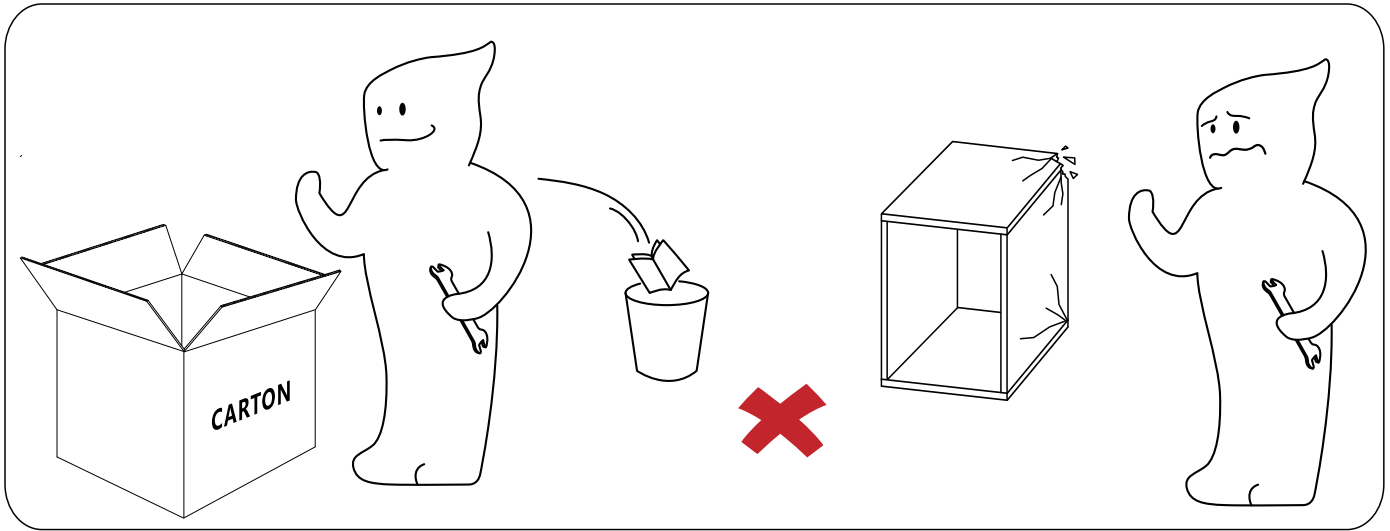


Dear Customers,

Thank you for purchasing our product. Please read this instruction manual carefully after receiving this product. It will help you assemble this product quickly, safely and correctly. You can keep this manual for future reference.
MADE IN CHINA

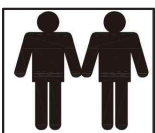
! IMPORTANT

Please follow the instruction manuals and use a pad to protect the product during your assembly.



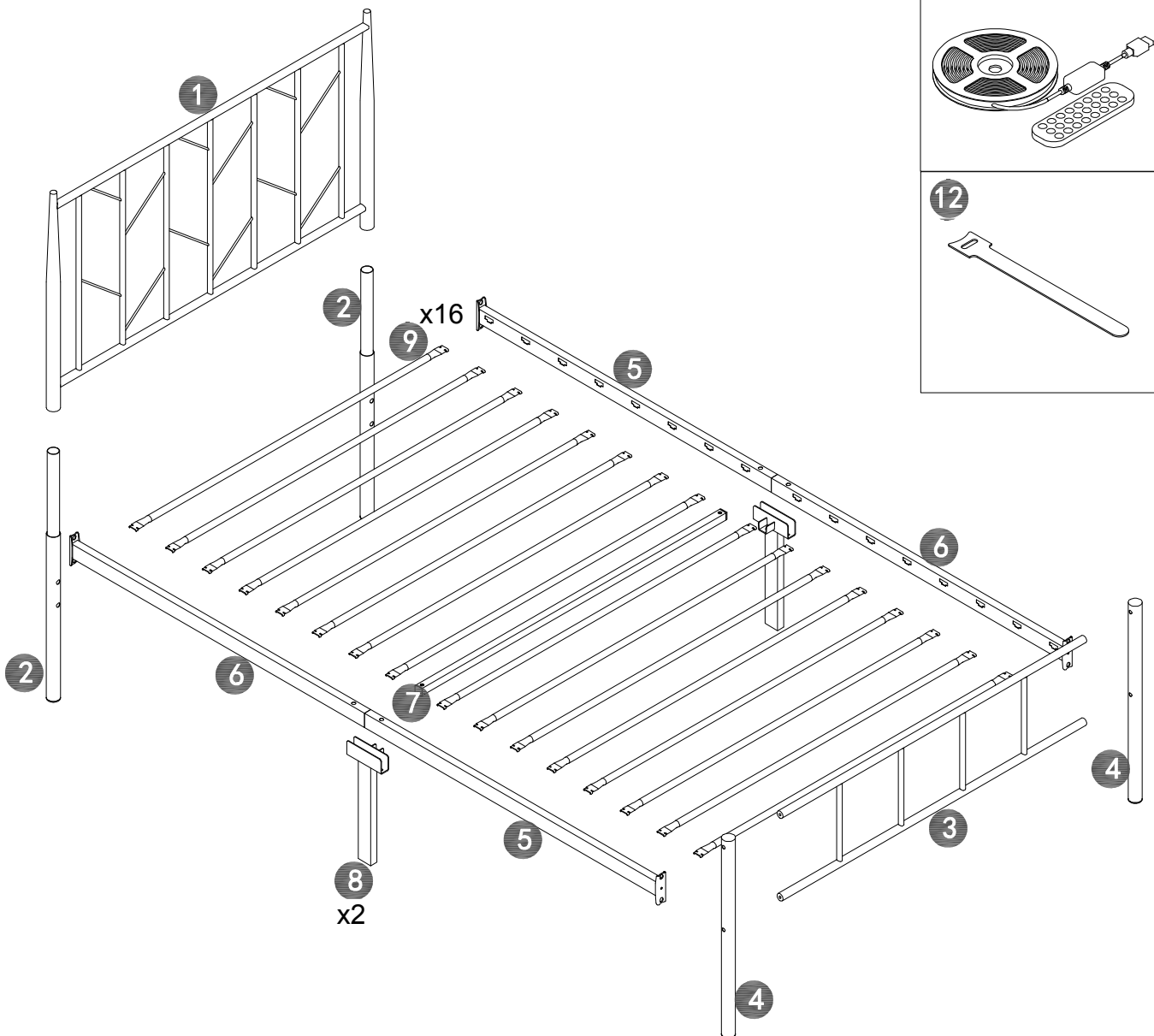
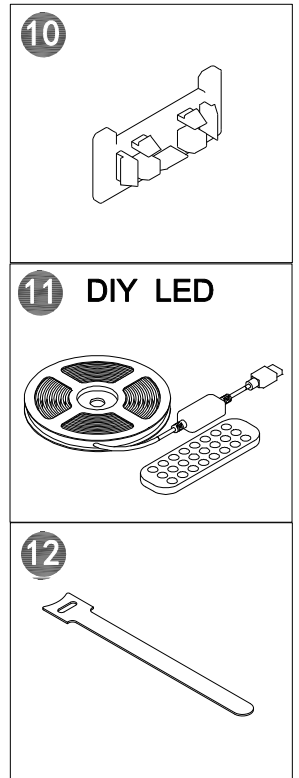
Note:

1. Should be assembled on flat ground to keep balance.
2. Before completing the installation, do not tighten the screws.



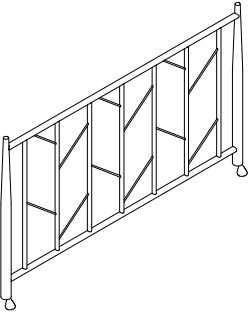

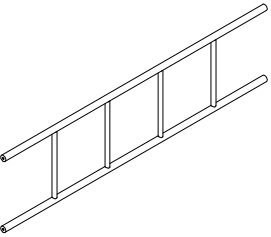
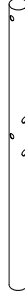
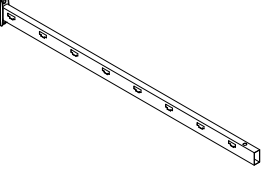
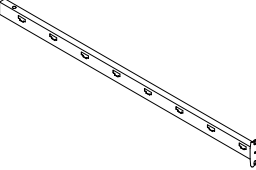
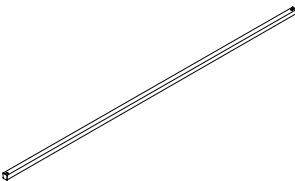
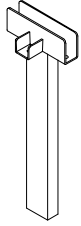
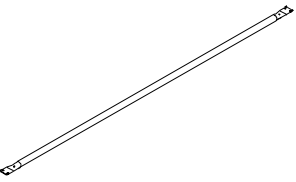
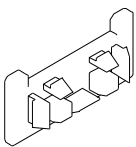
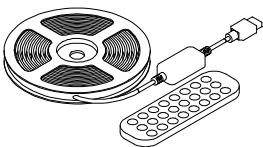
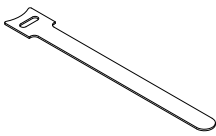
For easier and better assembly, **2** or more adults are required.

ASSEMBLY INSTRUCTIONS



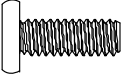
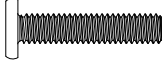
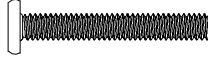
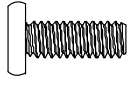
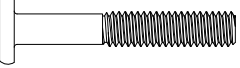
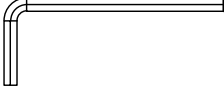
ASSEMBLY INSTRUCTIONS

PARTS LIST

 <p>1</p>	 <p>2</p>	 <p>3</p>	 <p>4</p>
 <p>5</p>	 <p>6</p>	 <p>7</p>	 <p>8</p>
 <p>9</p>	 <p>10</p>	 <p>11</p>	 <p>12</p>
<p>1PC</p>	<p>2PCS</p>	<p>1PC</p>	<p>2PCS</p>
<p>2PCS</p>	<p>2PCS</p>	<p>1PC</p>	<p>2PCS</p>
<p>16PCS</p>	<p>32PCS</p>	<p>1PC</p>	<p>10PCS</p>

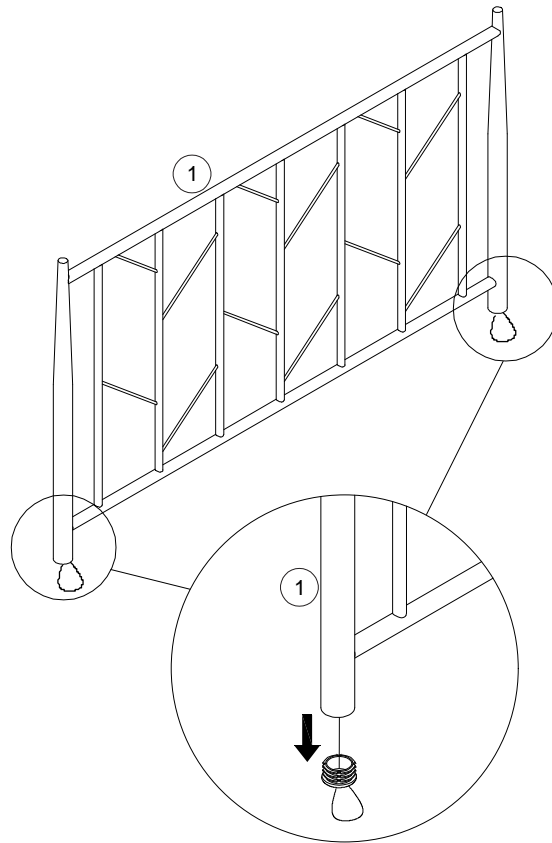
ASSEMBLY INSTRUCTIONS

HARDWARE LIST

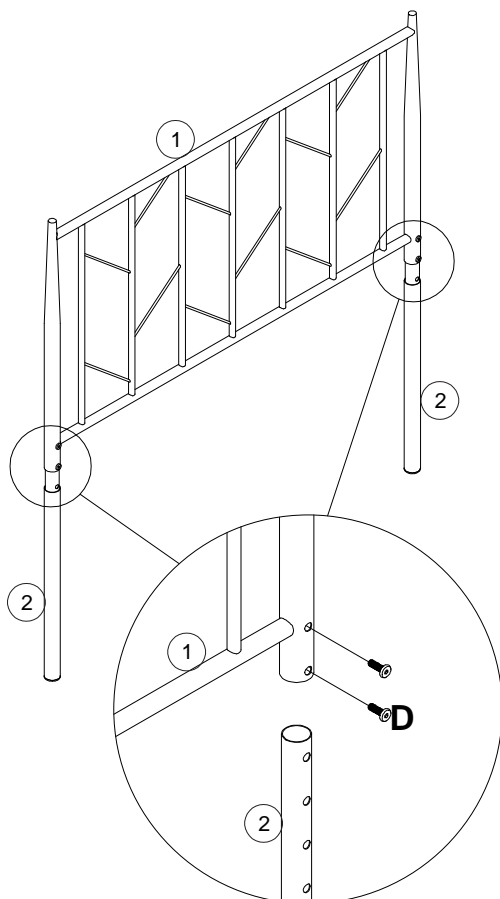
<p>A</p>  <p>5/16 X 19mm</p> <p>8PCS</p>	<p>B</p>  <p>1/4 X 30mm</p> <p>2PCS</p>	<p>C</p>  <p>1/4 X 45mm</p> <p>4PCS</p>	<p>D</p>  <p>1/4 X 19mm</p> <p>4PCS</p>
<p>E</p>  <p>5/16 X 48mm</p> <p>4PCS</p>	<p>F</p>  <p>M4</p> <p>1PC</p>		

ASSEMBLY INSTRUCTIONS

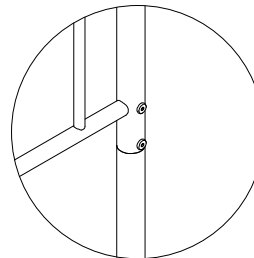
1



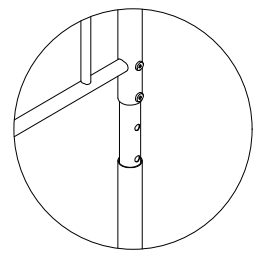
2



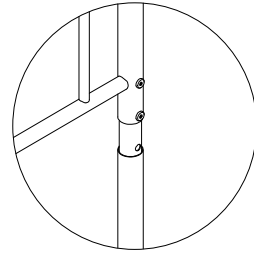
First gear



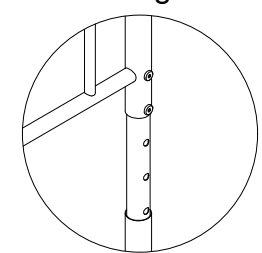
Third gear





Second gear



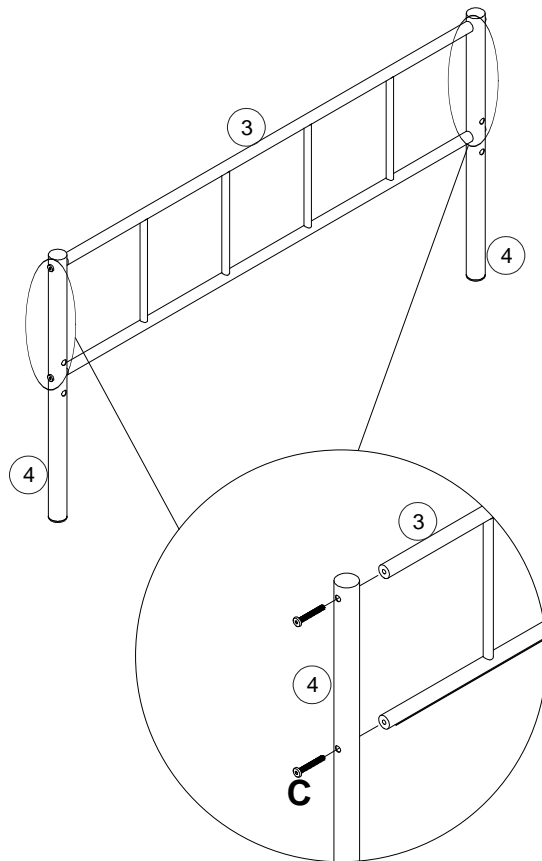
Fourth gear





D		1/4x19	4PCS
F		M4	1PC

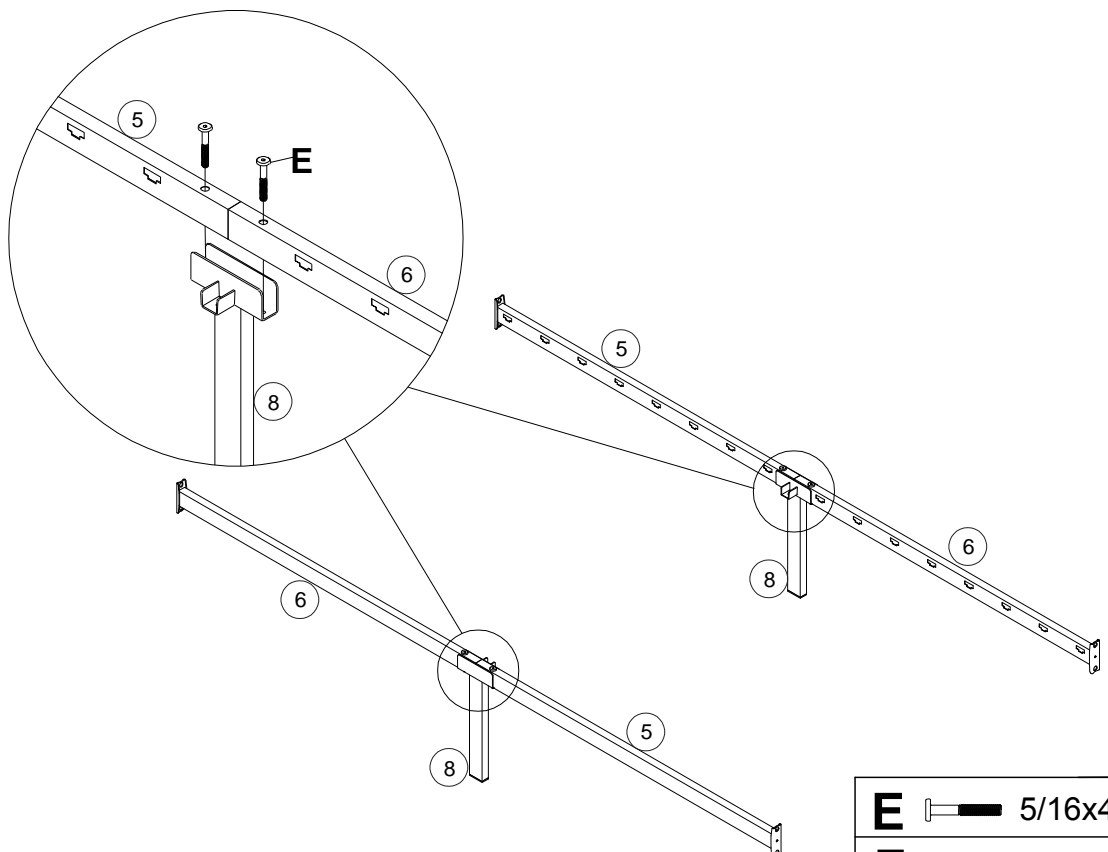
ASSEMBLY INSTRUCTIONS



3



C		1/4x45	4PCS
F		M4	1PC

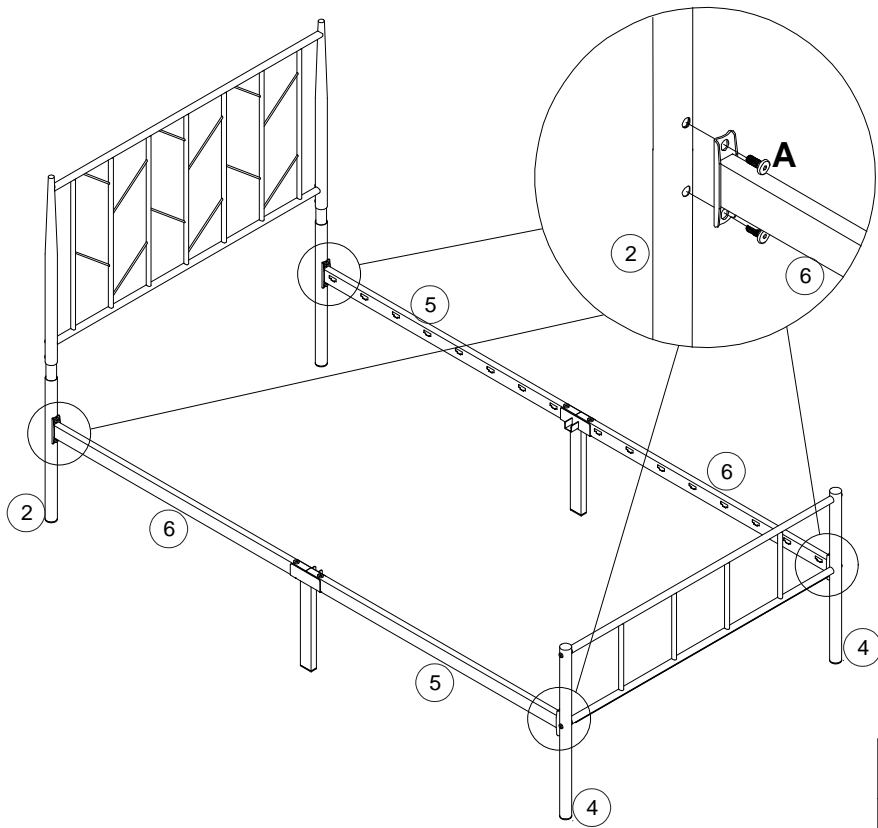
4

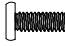



E		5/16x48	4PCS
F		M4	1PC

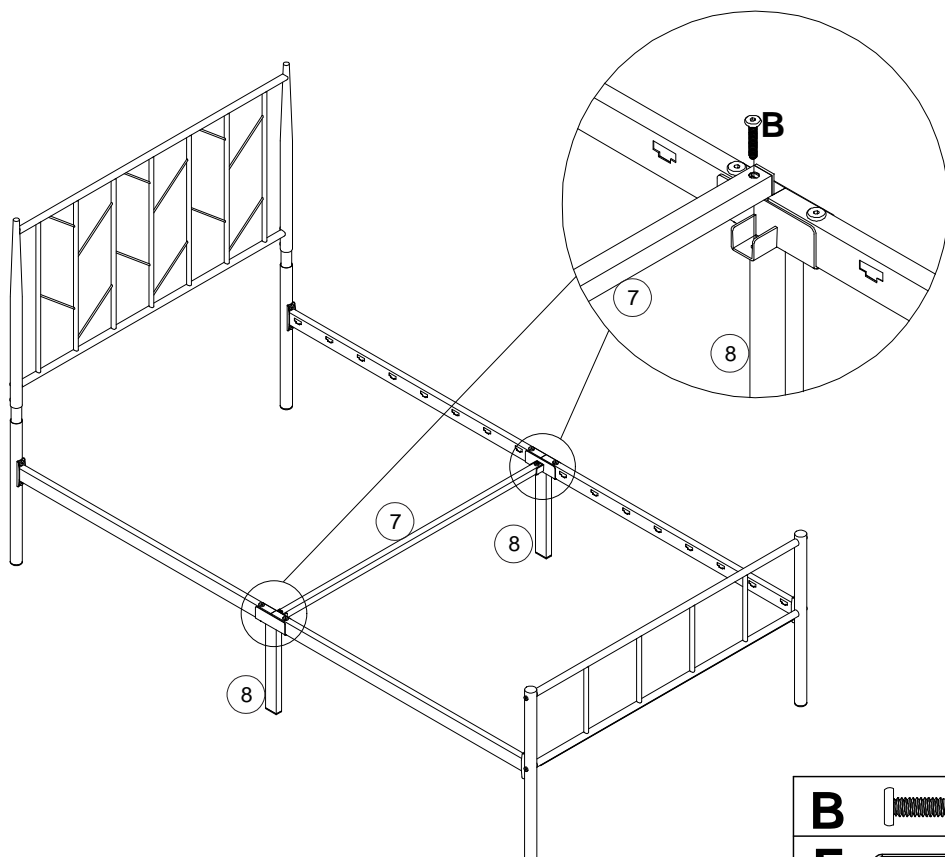
ASSEMBLY INSTRUCTIONS

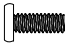

5



A		5/16x19 8PCS
F		M4 1PC

6

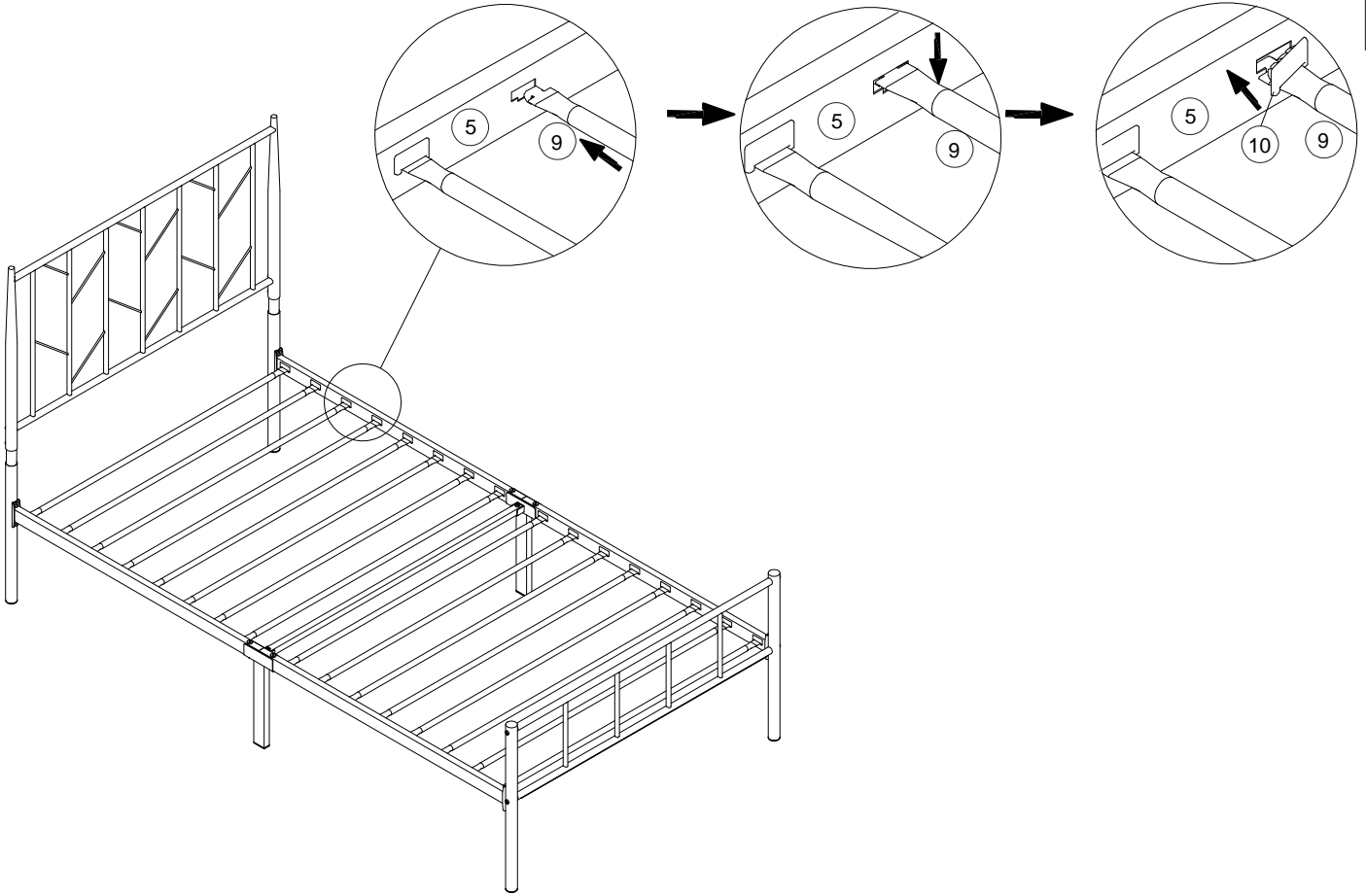


B		1/4x30 2PCS
F		M4 1PC

ASSEMBLY INSTRUCTIONS

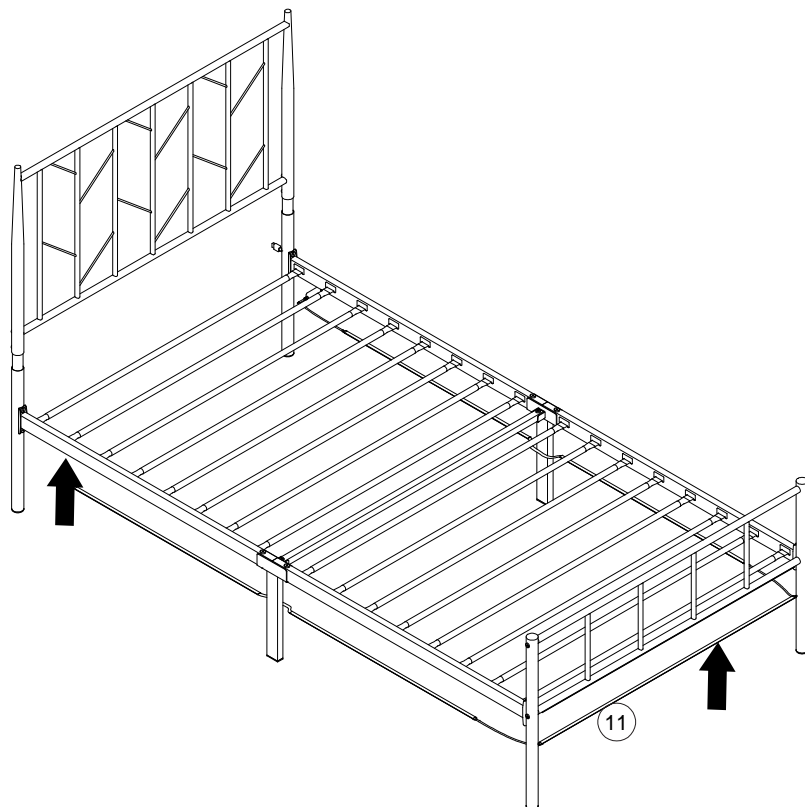
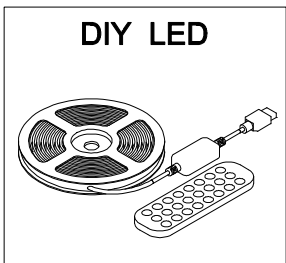
Insert 9 into Rail Section as shown. Then lock 10 to fix 9.

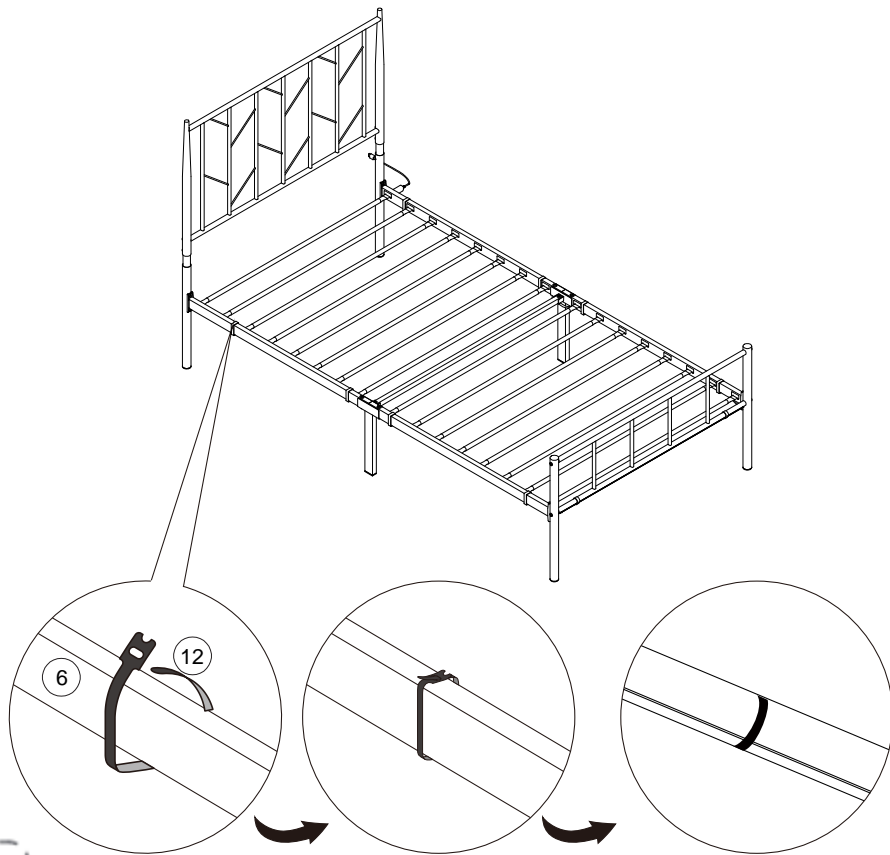
7



Attach the LED strip to the back of the bed frame as per diagram.

8





Installation Complete