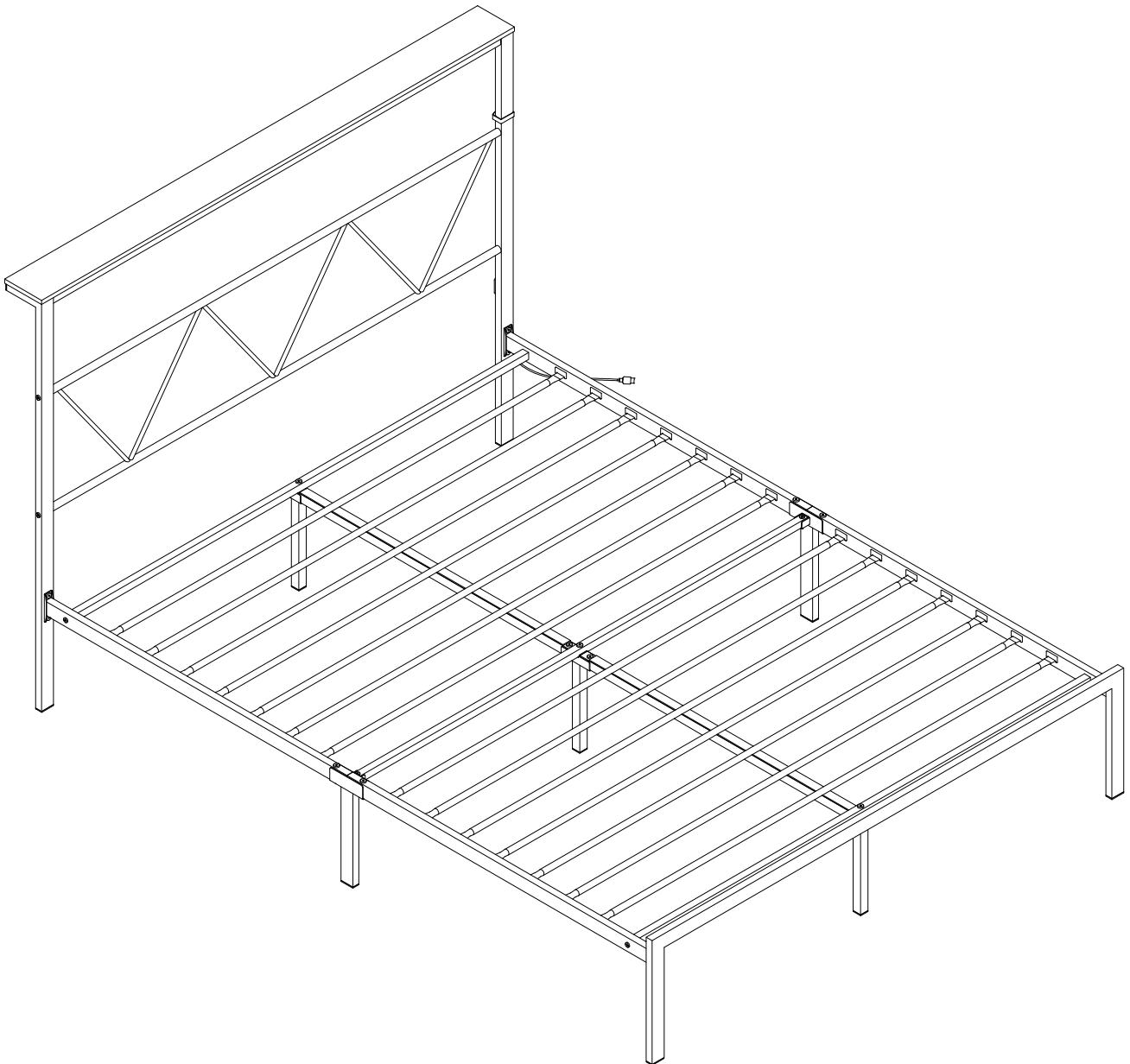


Metal Bed Frame Assembly Instructions



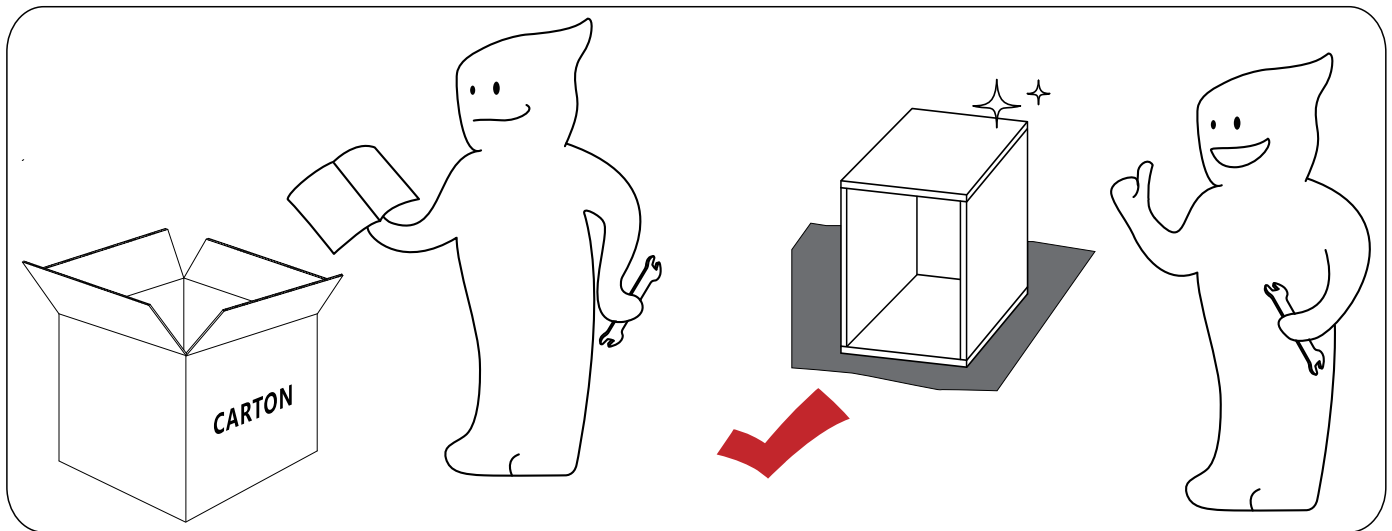
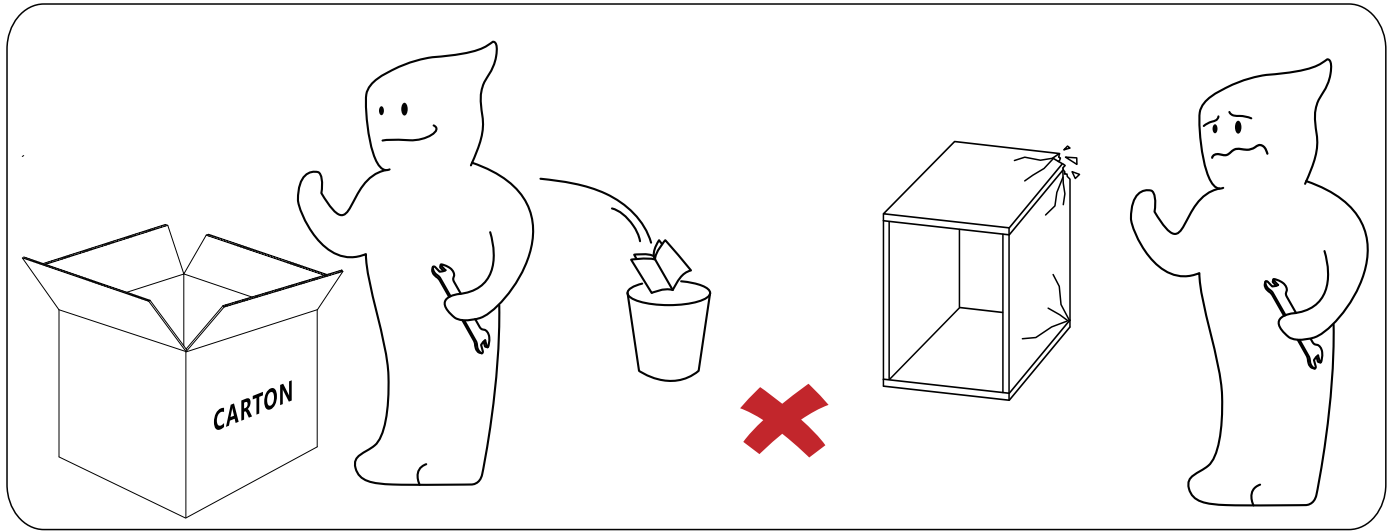
Dear Customers,

Thank you for purchasing our product. Please read this instruction manual carefully after receiving this product. It will help you assemble this product quickly, safely and correctly. You can keep this manual for future reference.

MADE IN CHINA

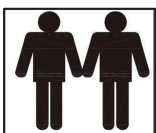
! IMPORTANT

Please follow the instruction manuals and use a pad to protect the product during your assembly.



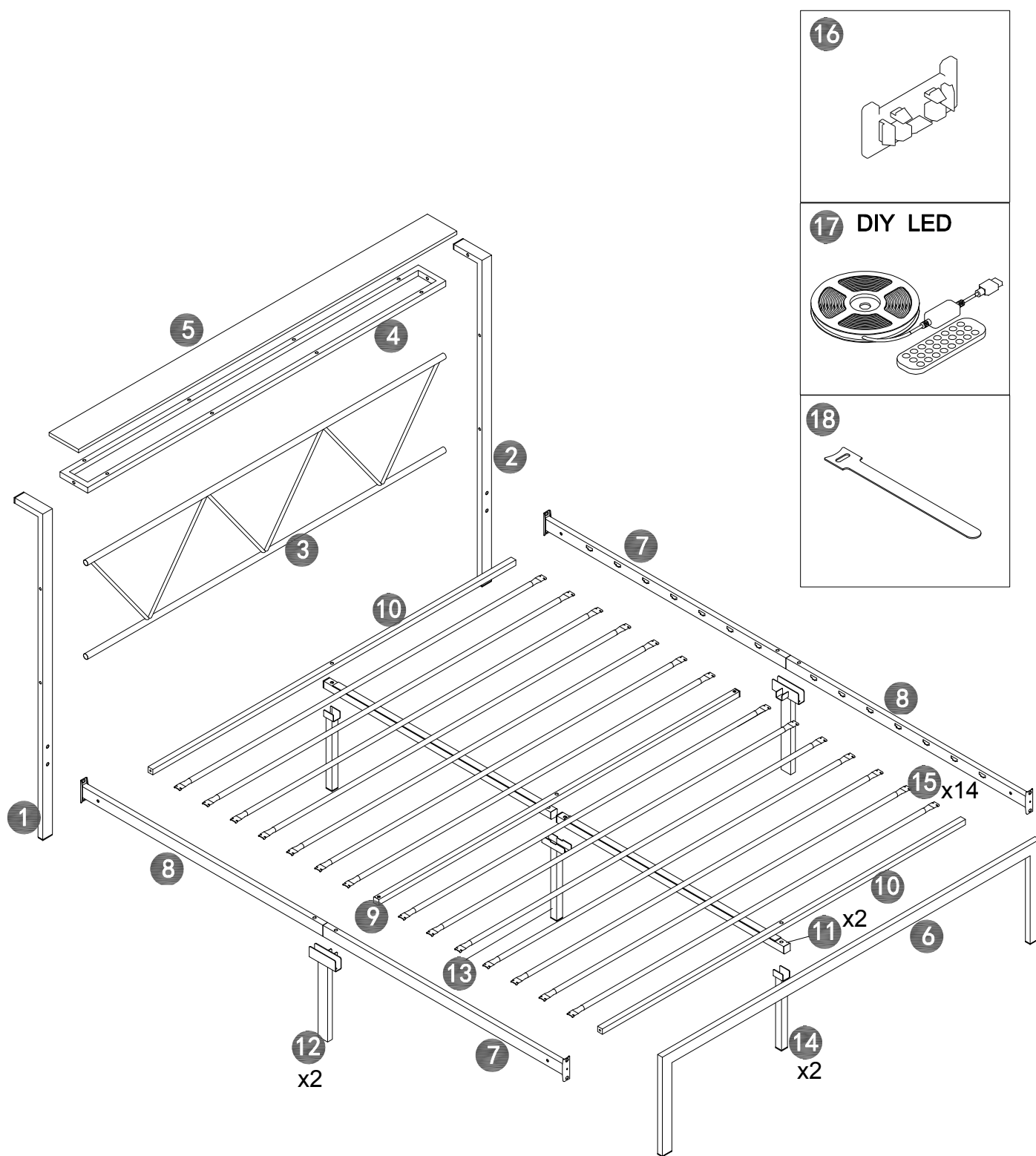
Note:

1. Should be assembled on flat ground to keep balance.
2. Before completing the installation, do not tighten the screws.



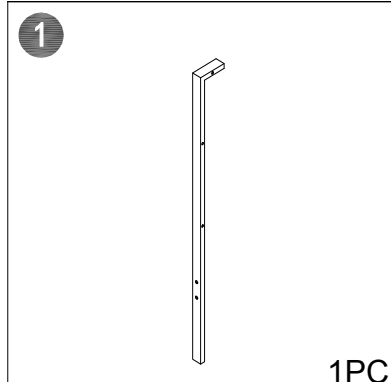
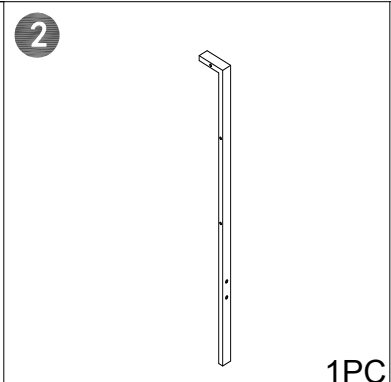
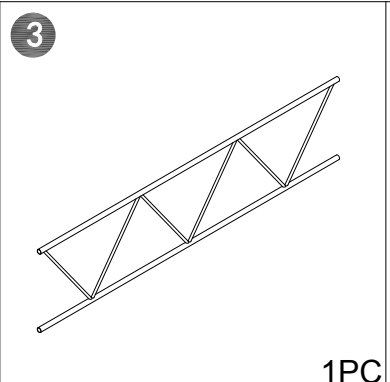
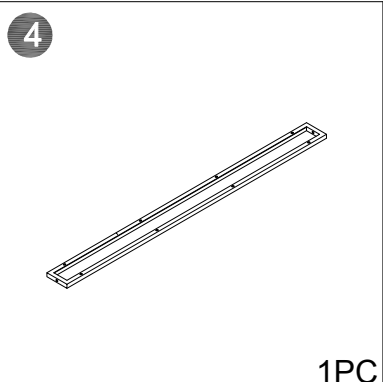
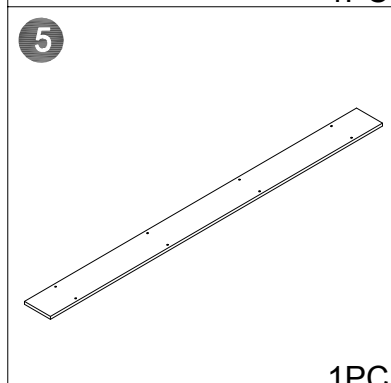
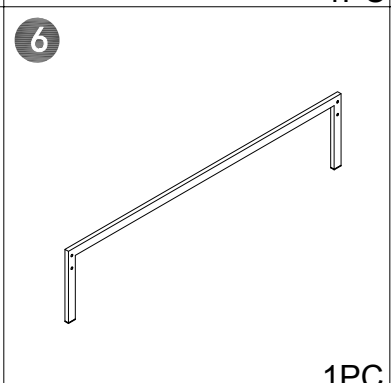
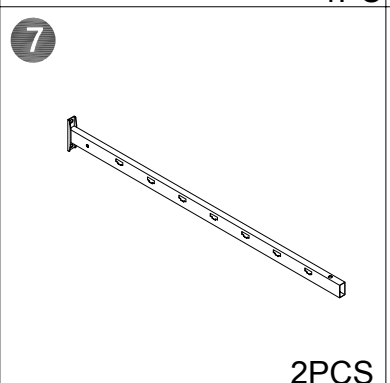
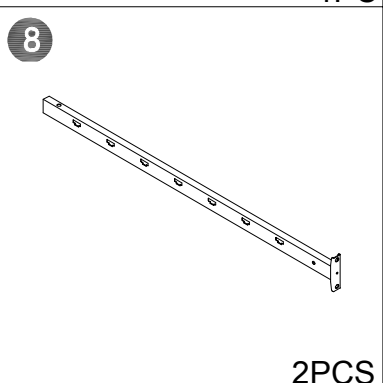
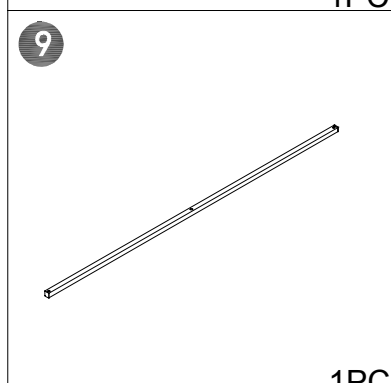
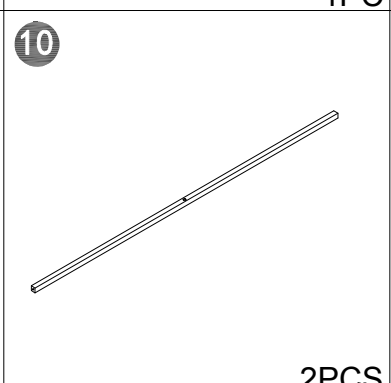
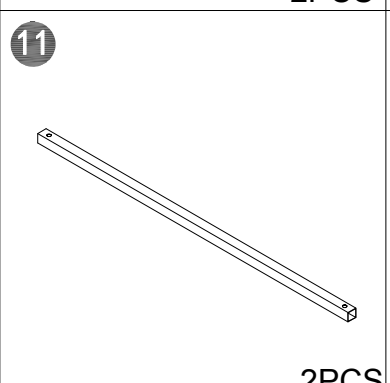
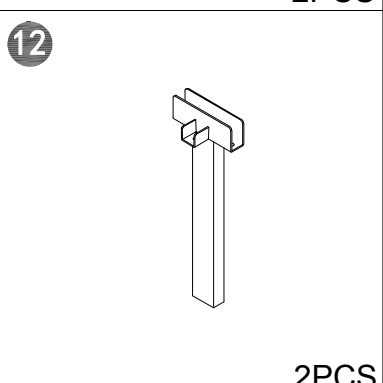
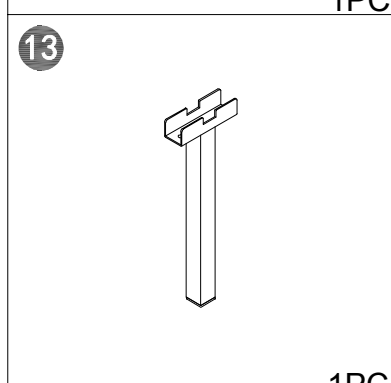
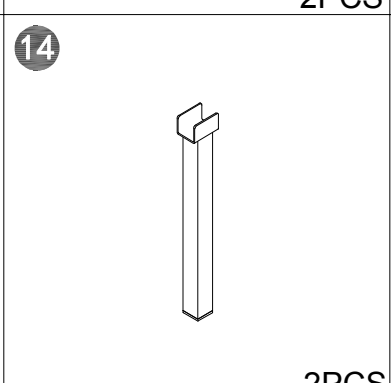
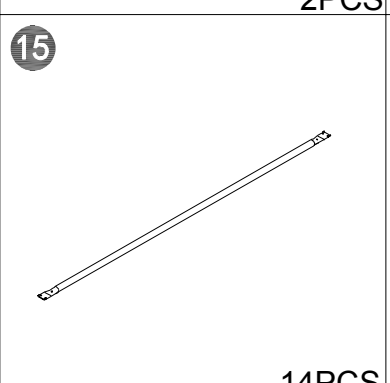
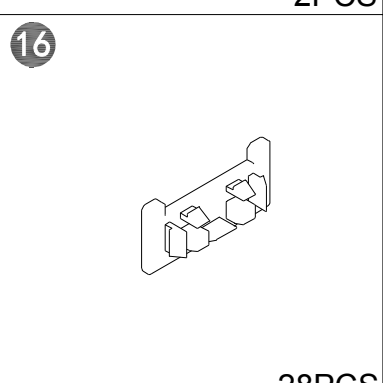
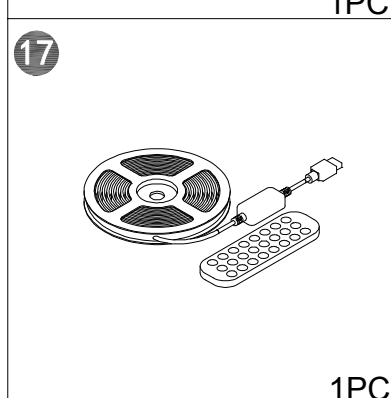
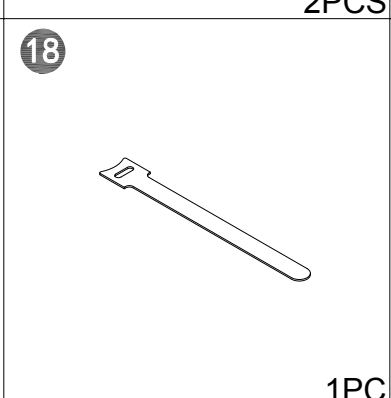
For easier and better assembly, **2** or more adults are required.

ASSEMBLY INSTRUCTIONS



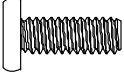

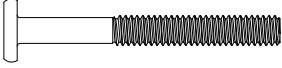
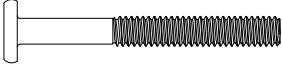
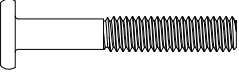
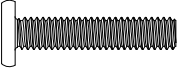

ASSEMBLY INSTRUCTIONS

PARTS LIST

 <p>1</p> <p>1PC</p>	 <p>2</p> <p>1PC</p>	 <p>3</p> <p>1PC</p>	 <p>4</p> <p>1PC</p>
 <p>5</p> <p>1PC</p>	 <p>6</p> <p>1PC</p>	 <p>7</p> <p>2PCS</p>	 <p>8</p> <p>2PCS</p>
 <p>9</p> <p>1PC</p>	 <p>10</p> <p>2PCS</p>	 <p>11</p> <p>2PCS</p>	 <p>12</p> <p>2PCS</p>
 <p>13</p> <p>1PC</p>	 <p>14</p> <p>2PCS</p>	 <p>15</p> <p>14PCS</p>	 <p>16</p> <p>28PCS</p>
 <p>17</p> <p>1PC</p>	 <p>18</p> <p>1PC</p>		

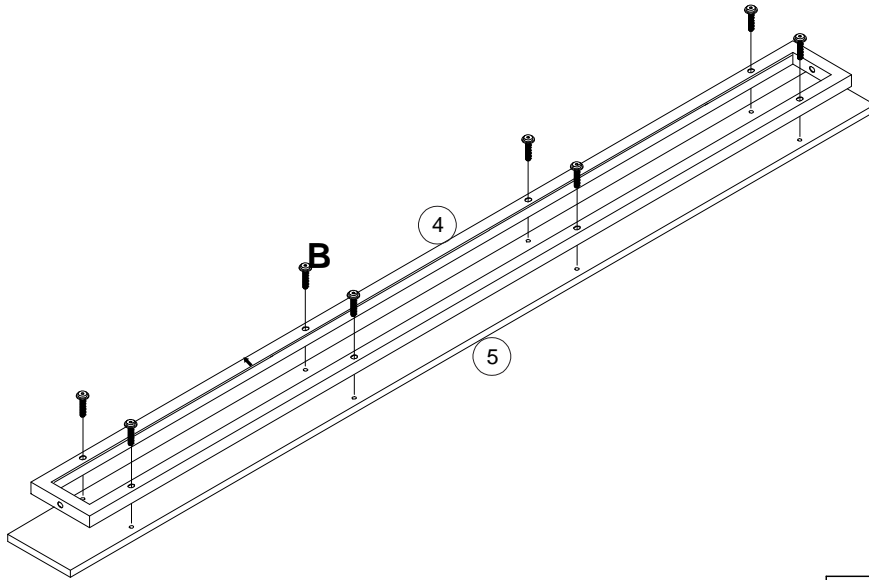
ASSEMBLY INSTRUCTIONS



HARDWARE LIST

<p>A</p>  <p>5/16 X 19mm</p> <p>8PCS</p>	<p>B</p>  <p>1/4 X 30mm</p> <p>16PCS</p>	<p>C</p>  <p>1/4 X 55mm</p> <p>4PCS</p>	<p>D</p>  <p>5/16 X 55mm</p> <p>3PCS</p>
<p>E</p>  <p>5/16 X 48mm</p> <p>4PCS</p>	<p>F</p>  <p>5/16 X 34mm</p> <p>2PCS</p>	<p>G</p>  <p>M4</p> <p>1PC</p>	

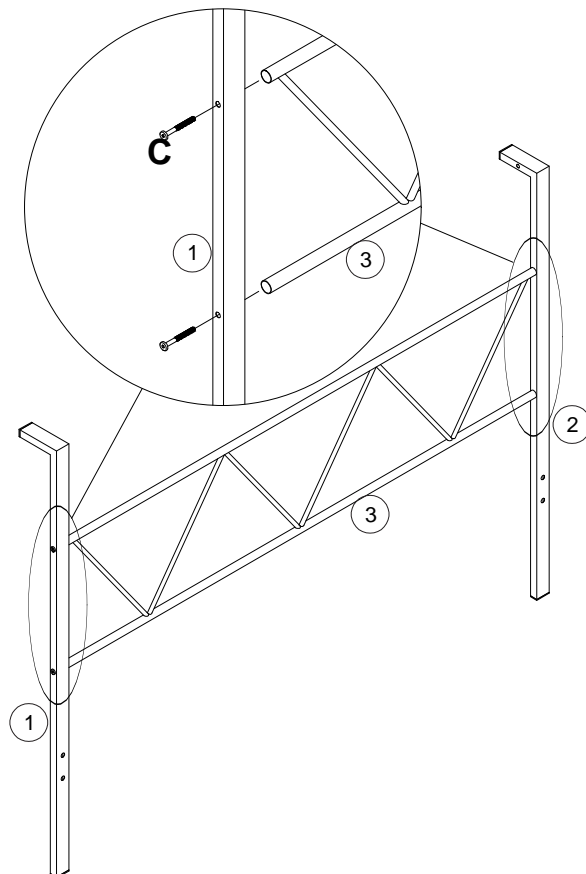
ASSEMBLY INSTRUCTIONS



1



B		1/4x30	8PCS
G		M4	1PC

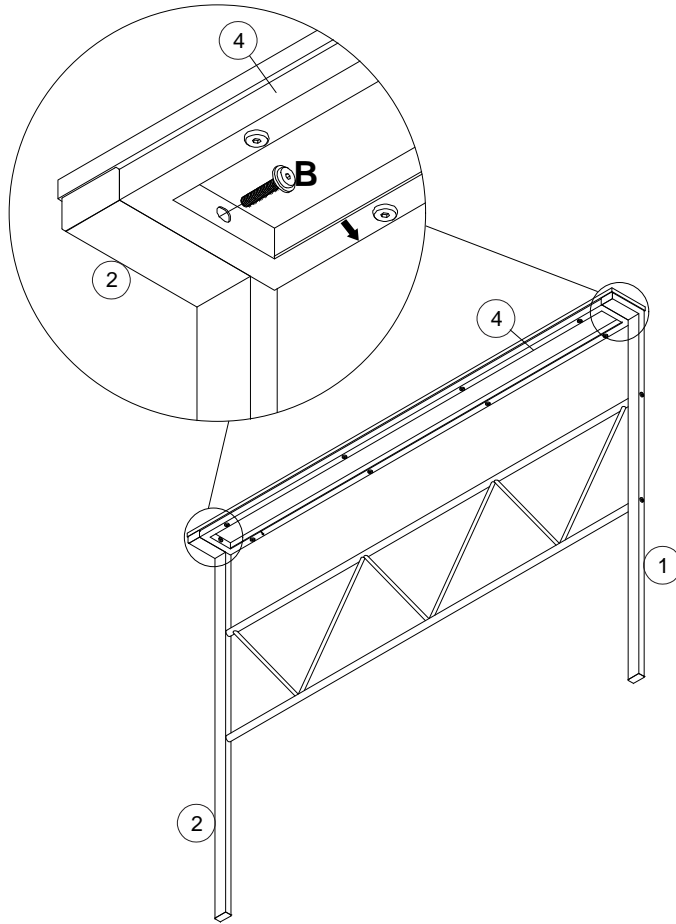
2





C		1/4x55	4PCS
G		M4	1PC

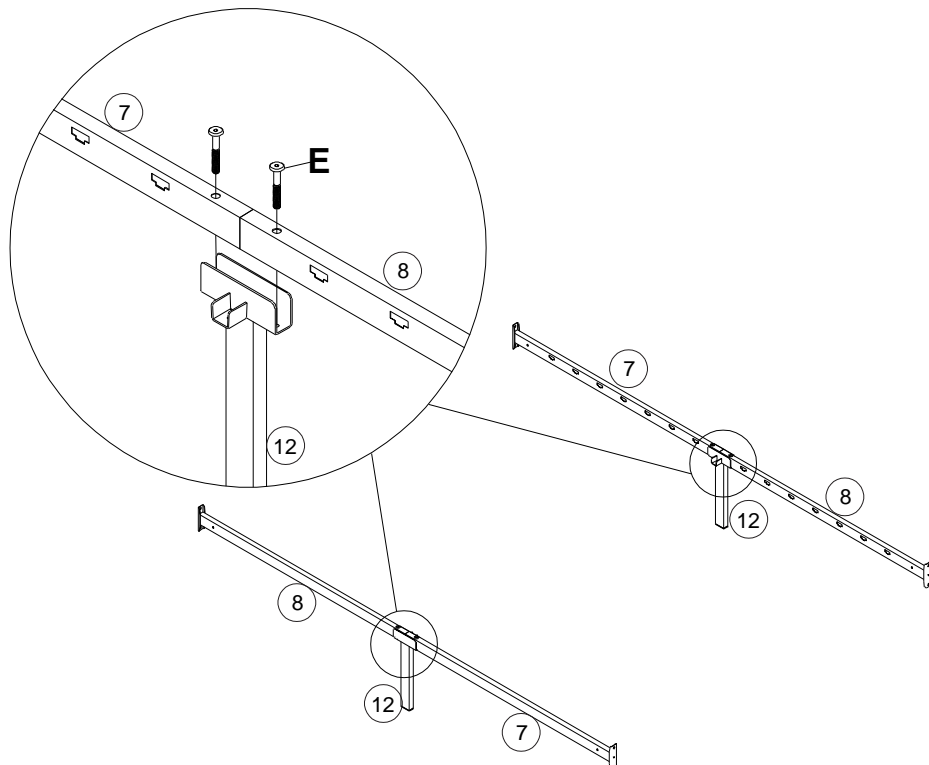
ASSEMBLY INSTRUCTIONS



3



B		1/4x30	2PCS
G		M4	1PC

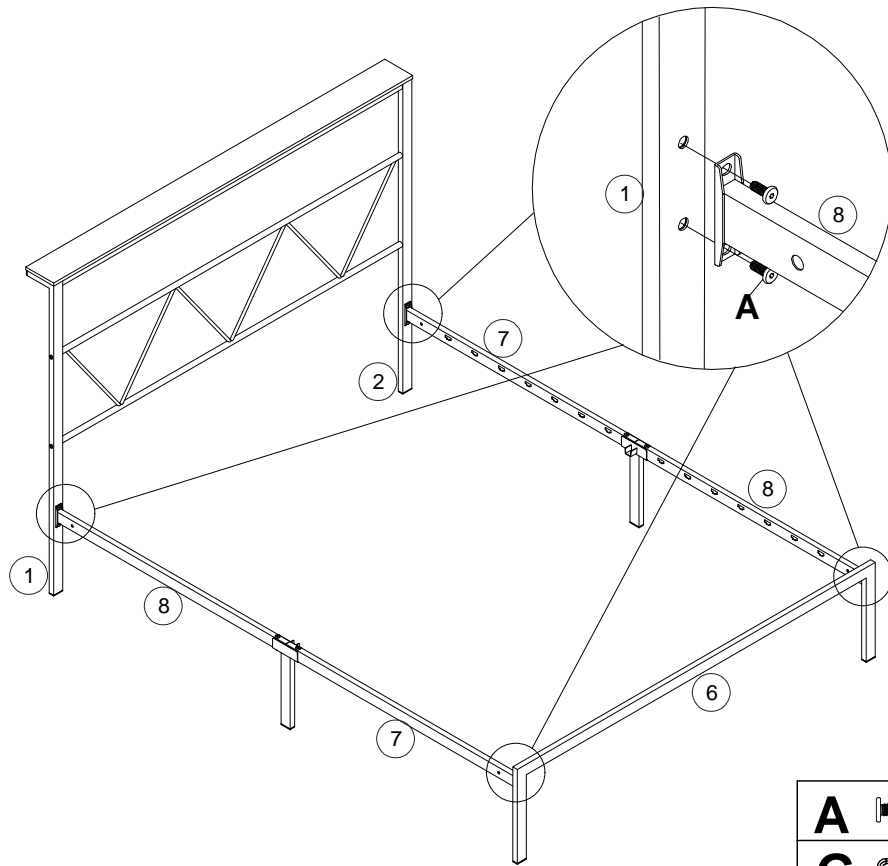
4



E		5/16x48	4PCS
G		M4	1PC

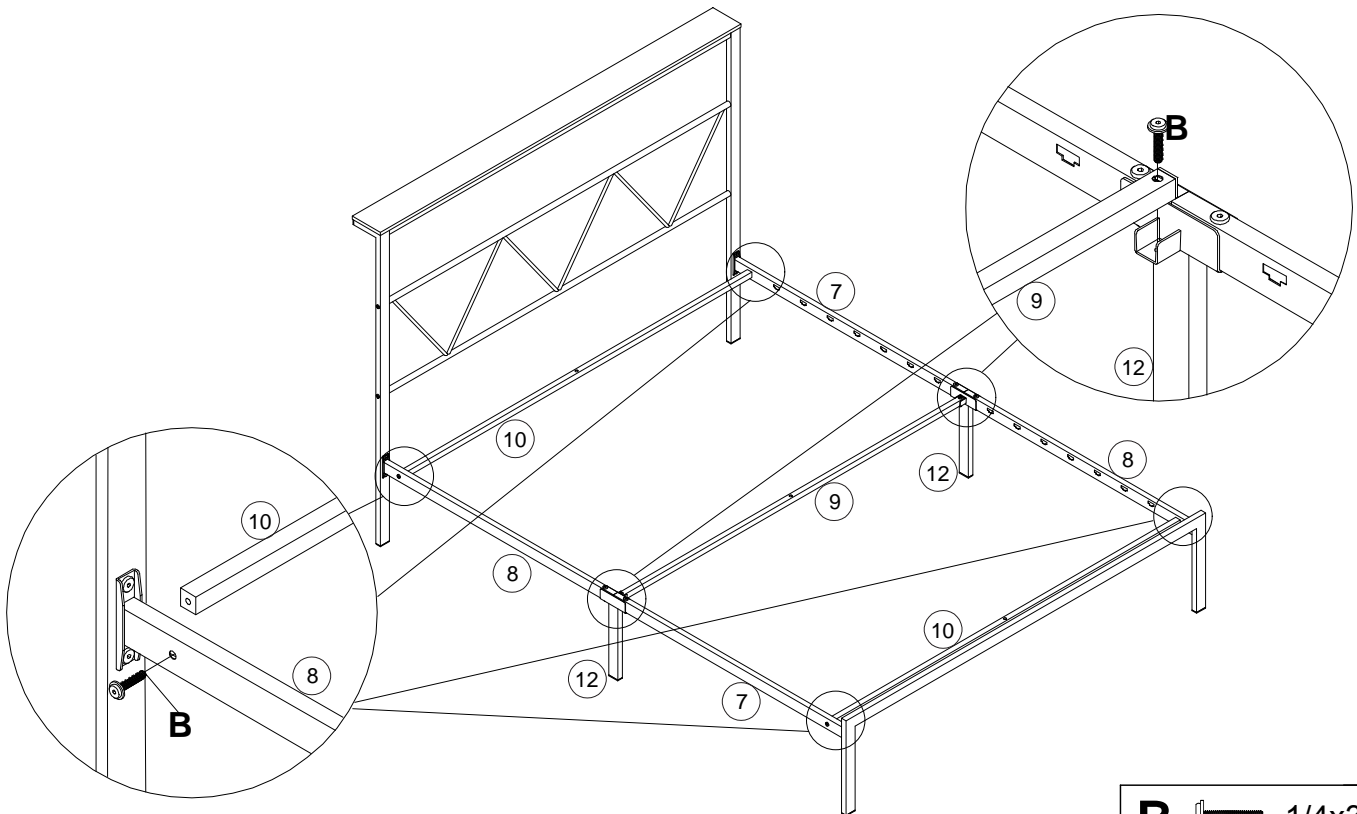
ASSEMBLY INSTRUCTIONS

5



- | | | | |
|----------|---|---------|------|
| A | — | 5/16x19 | 8PCS |
| G | └ | M4 | 1PC |

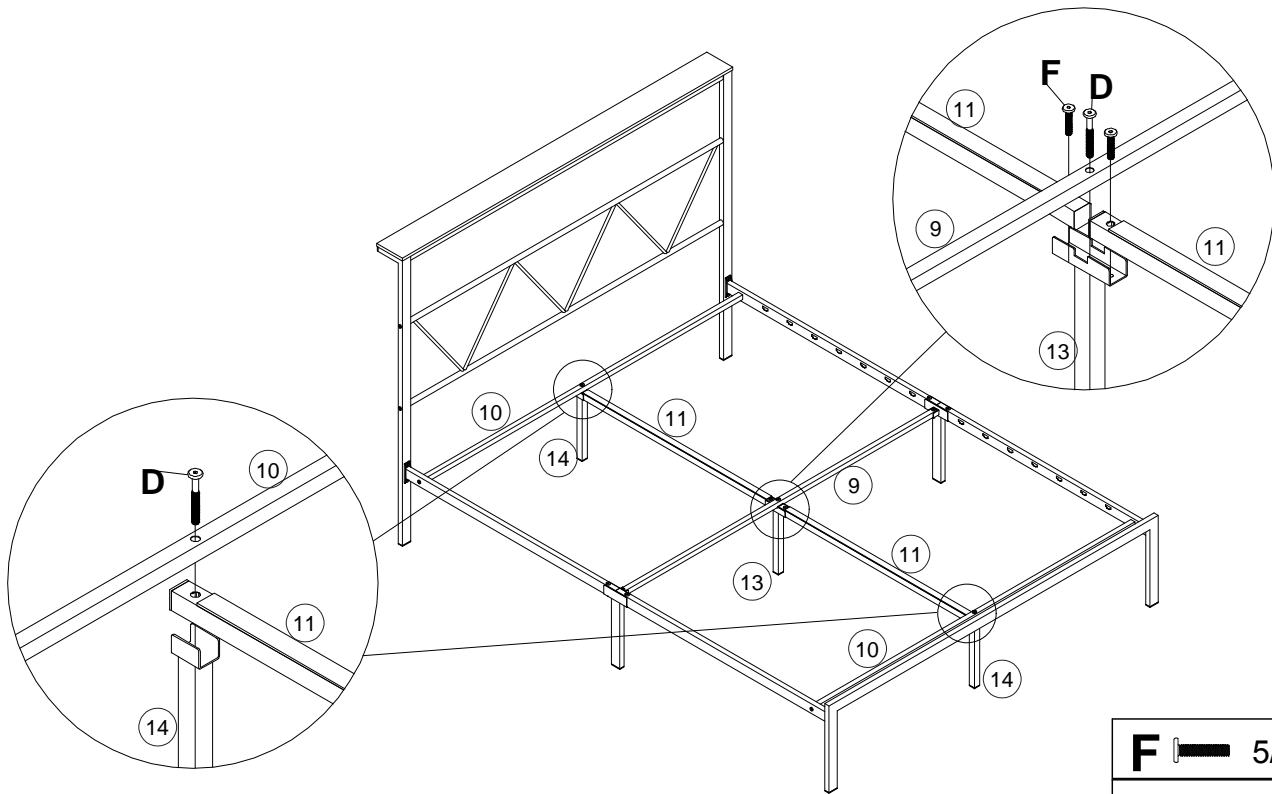
6



- | | | | |
|----------|---|--------|------|
| B | — | 1/4x30 | 6PCS |
| G | └ | M4 | 1PC |

ASSEMBLY INSTRUCTIONS

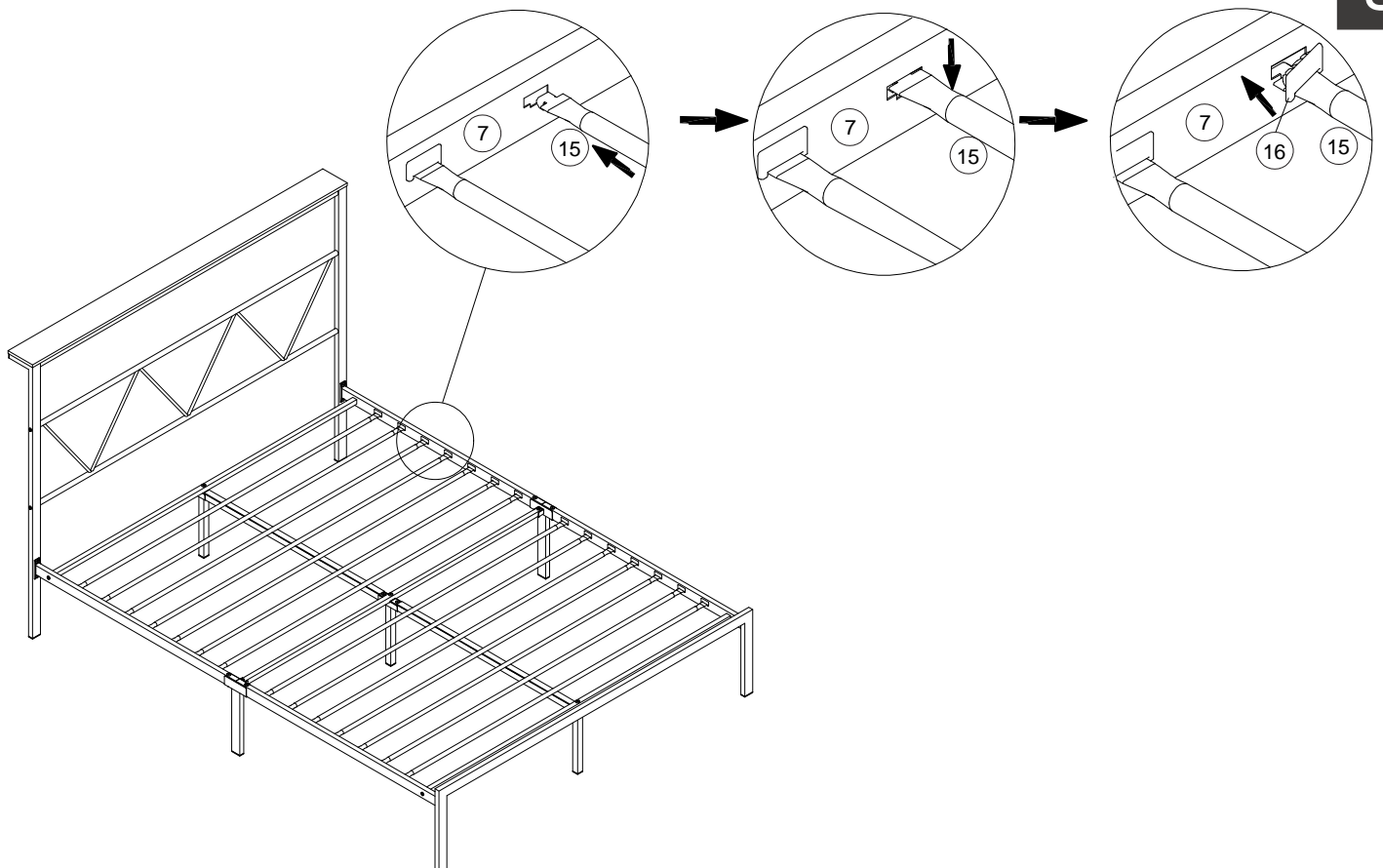
7



F		5/16x34	2PCS
D		5/16x55	3PCS
G		M4	1PC

Insert 15 into Rail Section as shown. Then lock 16 to fix 15.

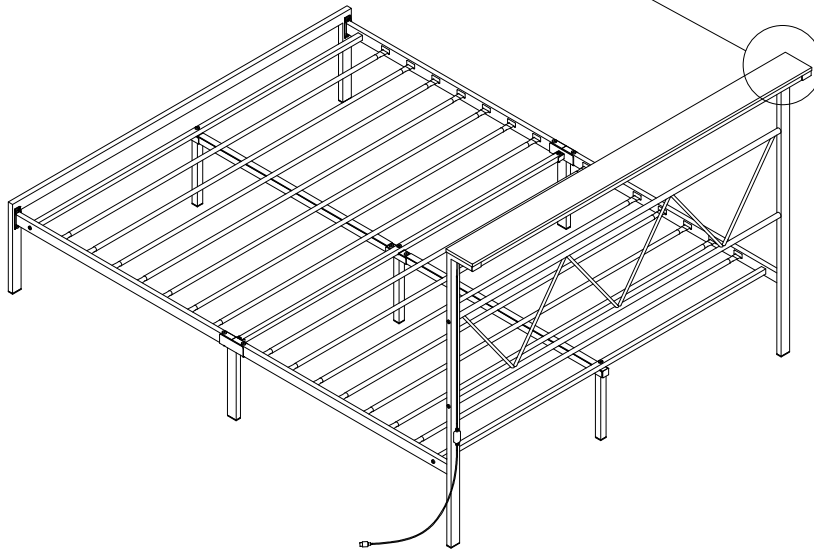
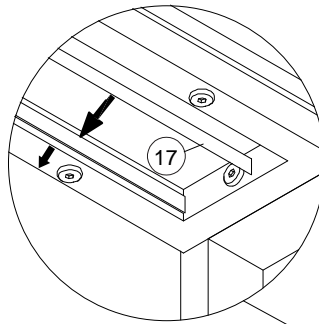
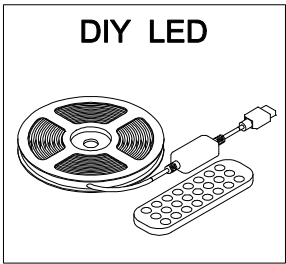
8



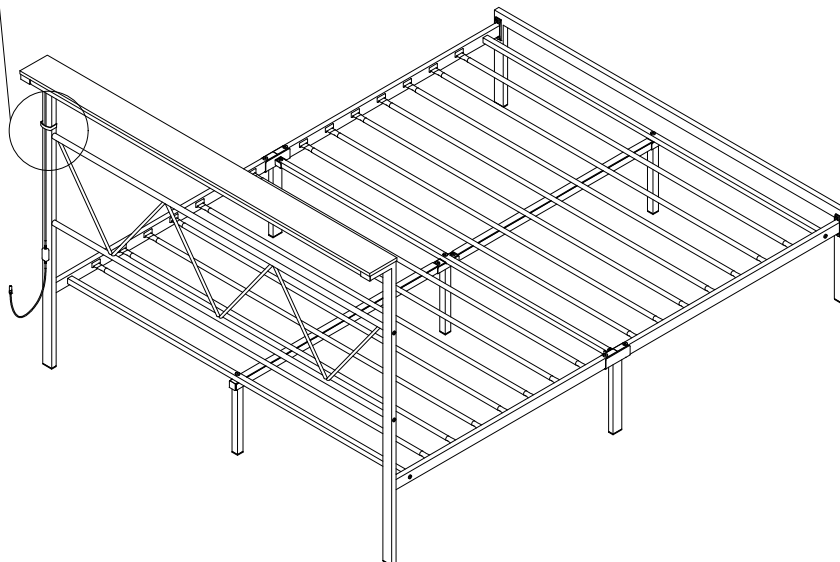
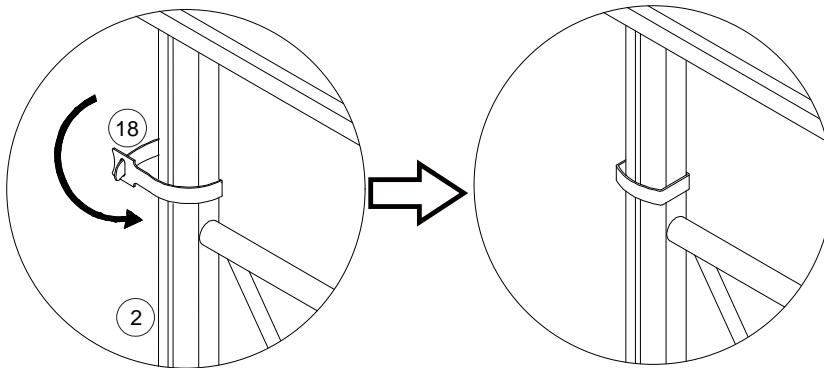
ASSEMBLY INSTRUCTIONS

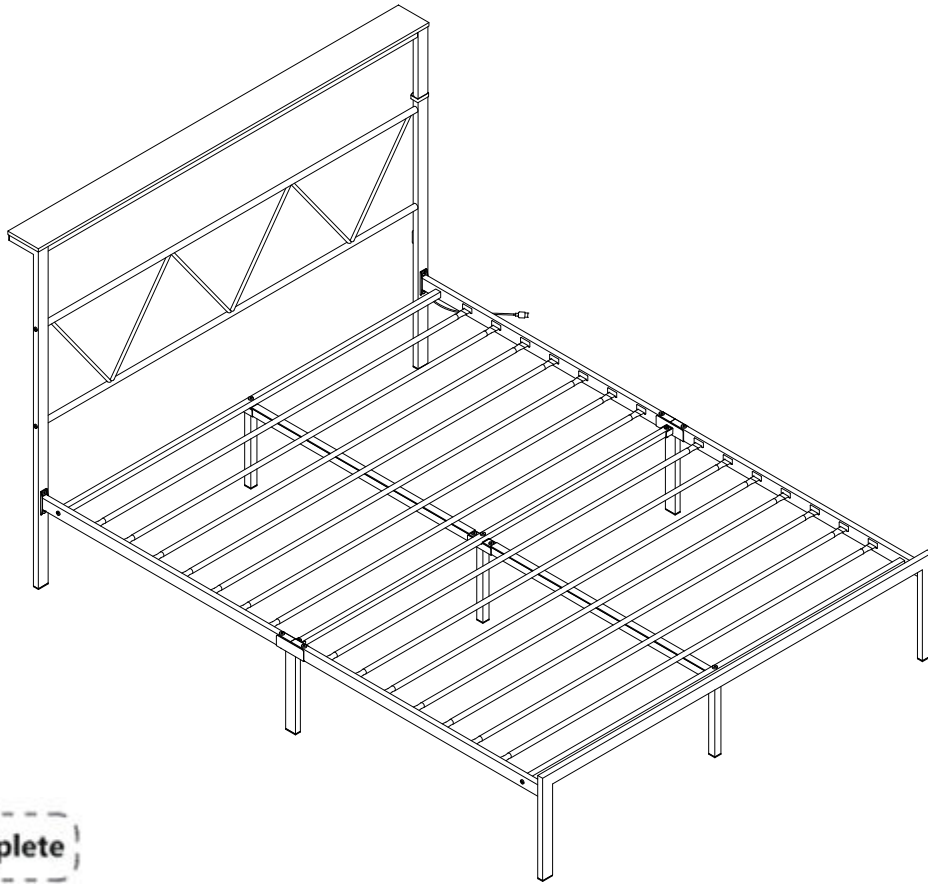
Attach the LED strip on the back of the top board, or wherever you need it to be.

9



10





Installation Complete