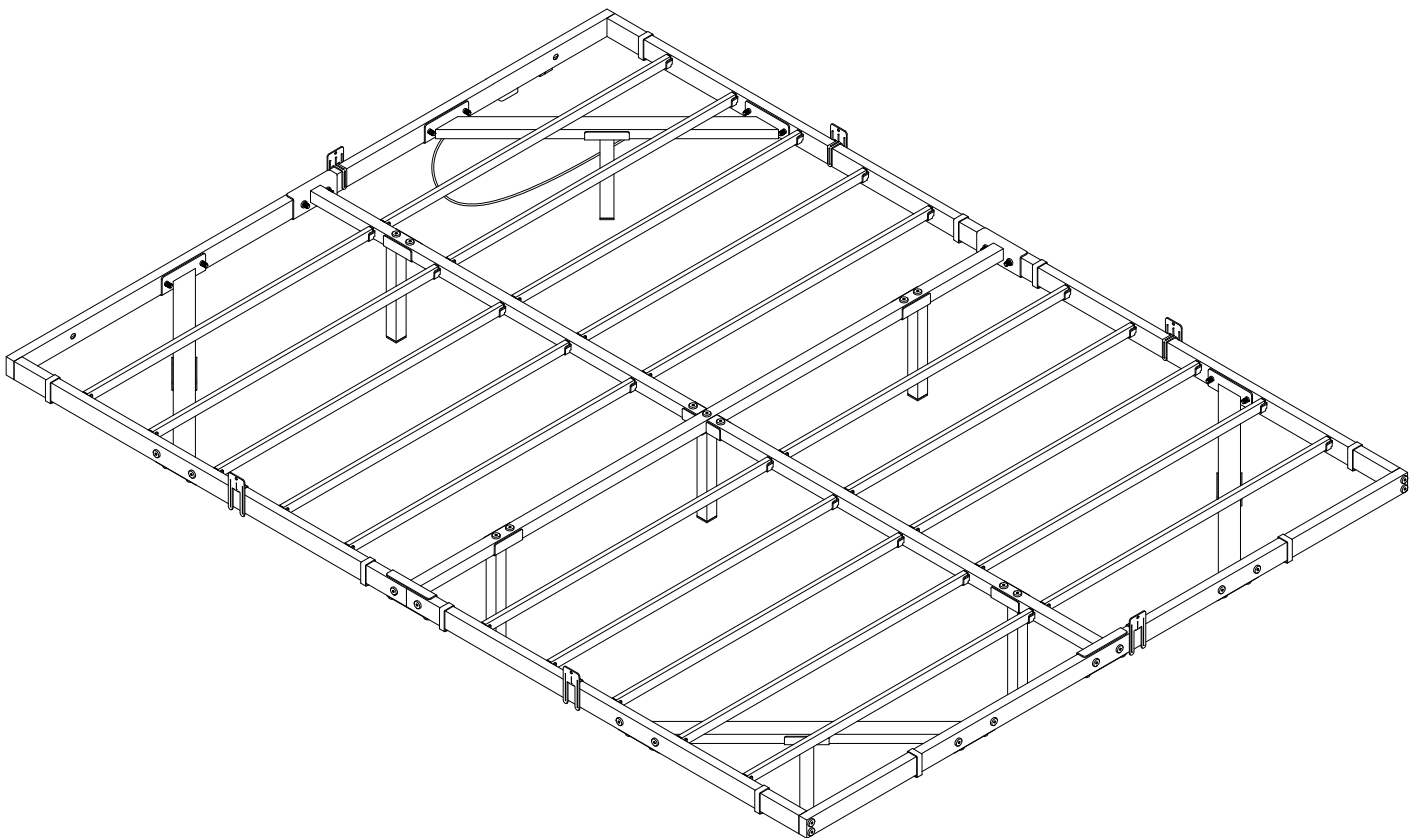


Metal Bed Frame Assembly Instructions

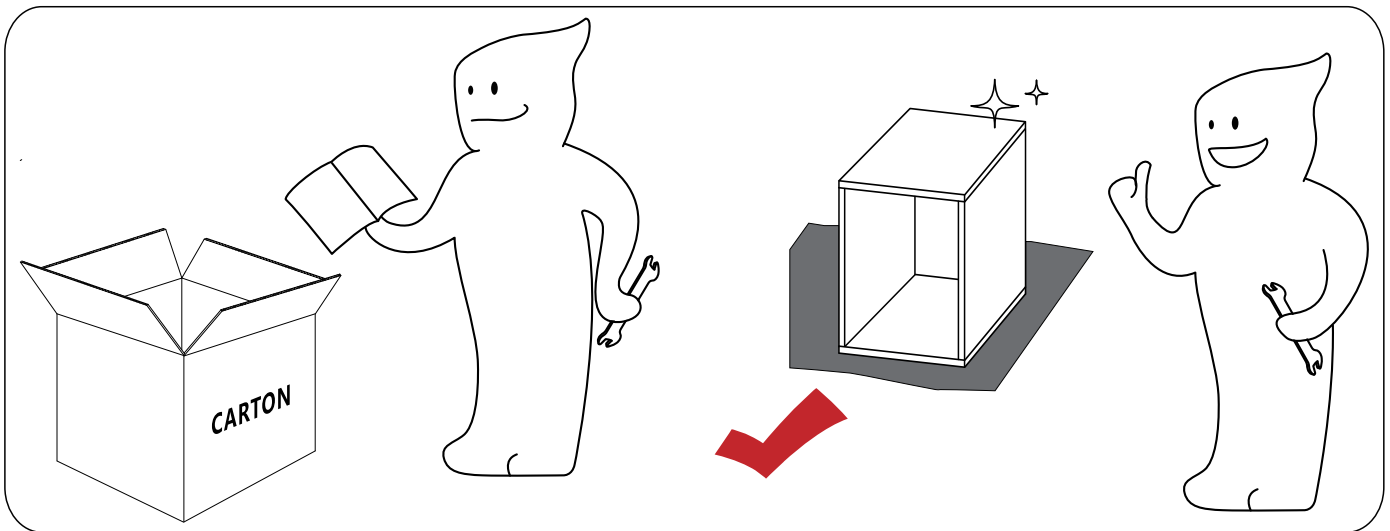
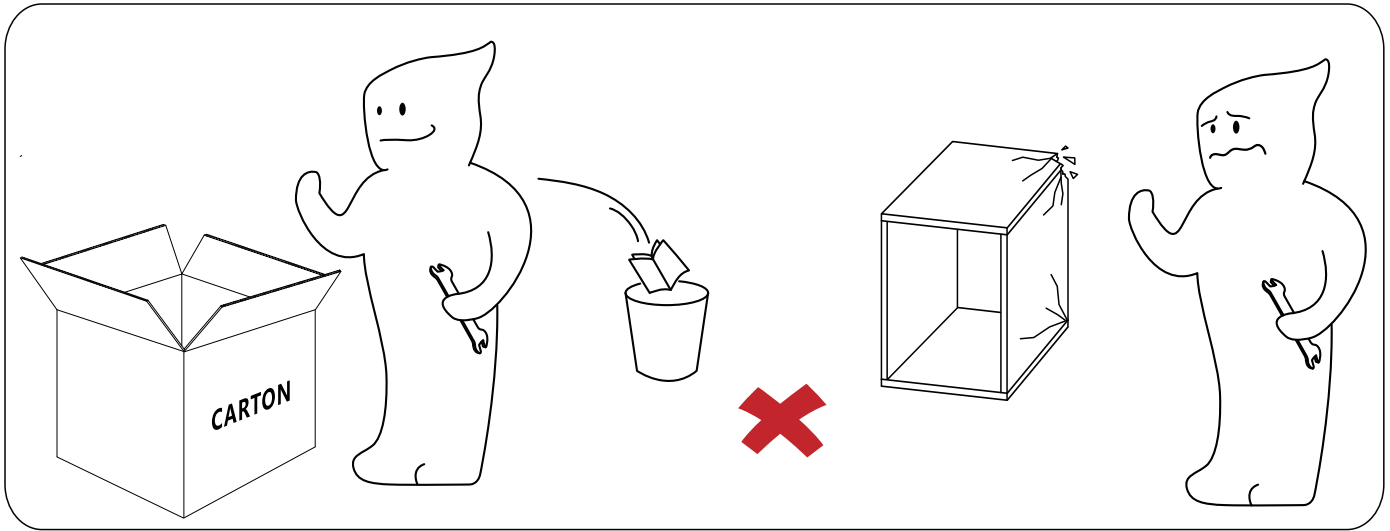


Dear Customers,

Thank you for purchasing our product. Please read this instruction manual carefully after receiving this product. It will help you assemble this product quickly, safely and correctly. You can keep this manual for future reference.
MADE IN CHINA

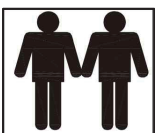
! IMPORTANT

Please follow the instruction manuals and use a pad to protect the product during your assembly.



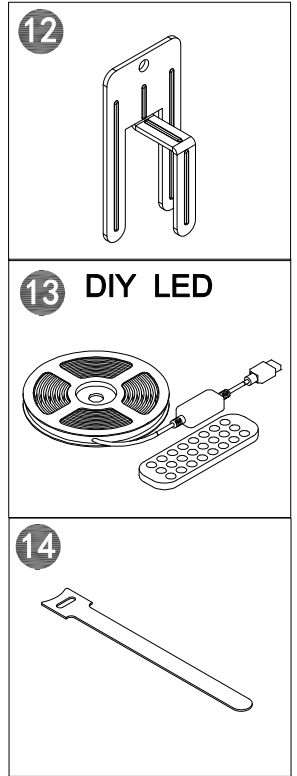
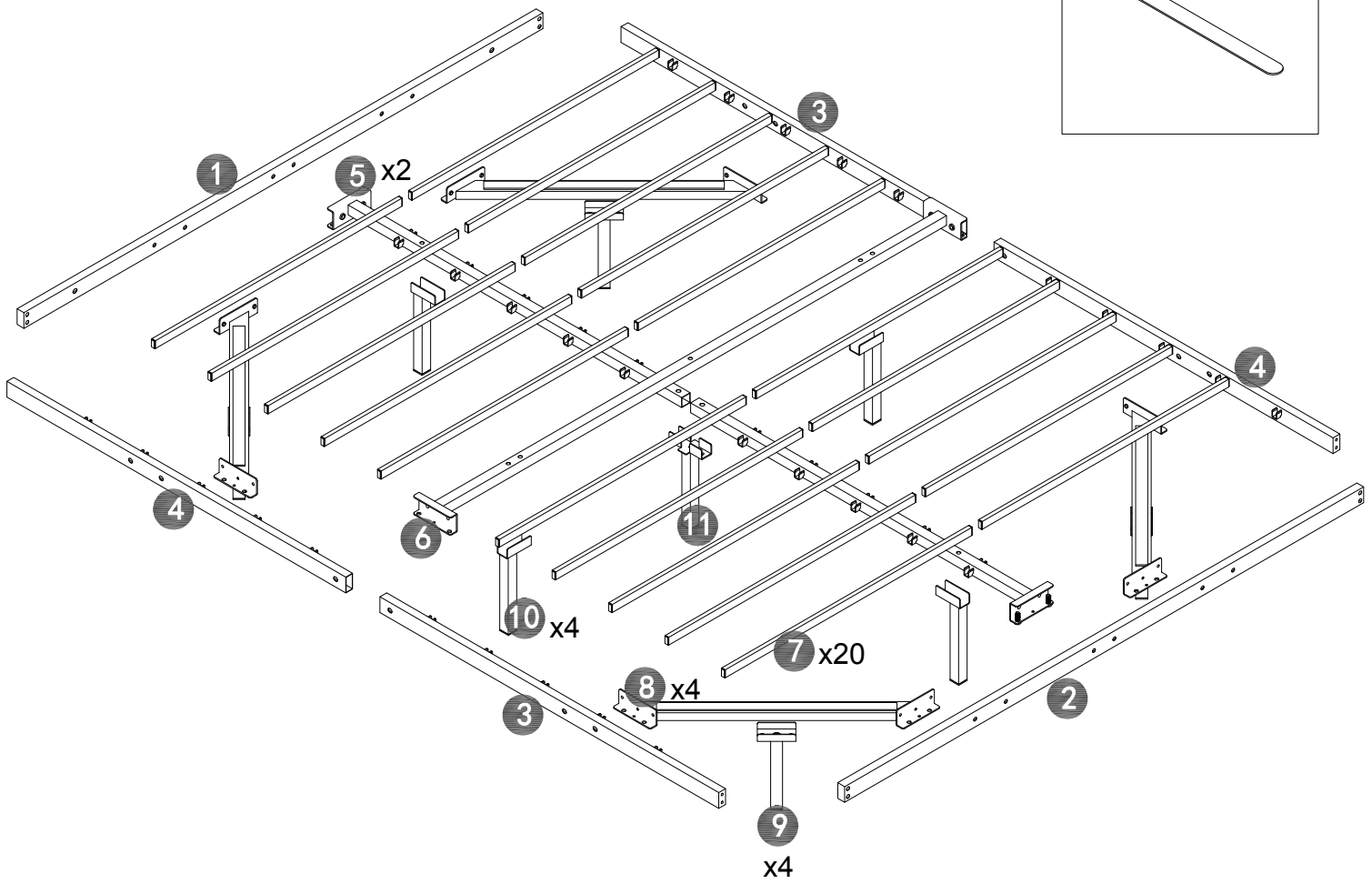
Note:

1. Should be assembled on flat ground to keep balance.
2. Before completing the installation, do not tighten the screws.



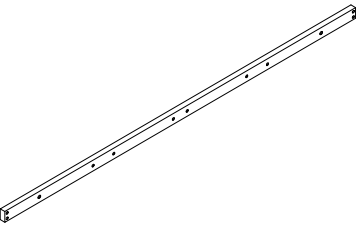
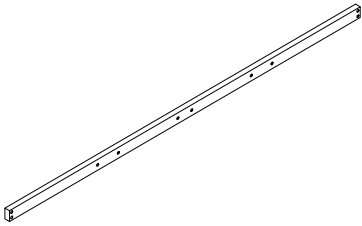
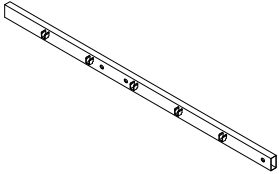
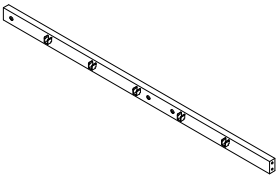
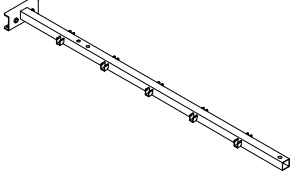
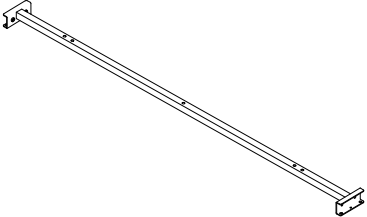
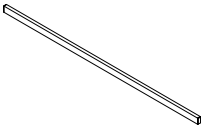
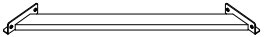
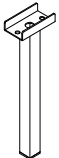

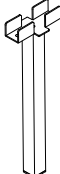
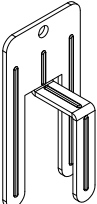

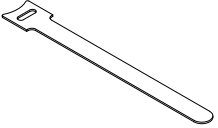
For easier and better assembly, **2** or more adults are required.

ASSEMBLY INSTRUCTIONS



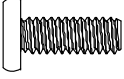
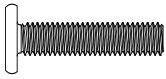

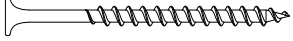
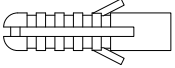
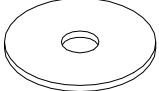
ASSEMBLY INSTRUCTIONS

PARTS LIST

 <p>1</p>	 <p>2</p>	 <p>3</p>	 <p>4</p>
1PC	1PC	2PCS	2PCS
 <p>5</p>	 <p>6</p>	 <p>7</p>	 <p>8</p>
2PCS	1PC	20PCS	4PCS
 <p>9</p>	 <p>10</p>	 <p>11</p>	 <p>12</p>
4PCS	4PCS	1PC	6PCS
 <p>13</p>	 <p>14</p>		
1PC	10PCS		

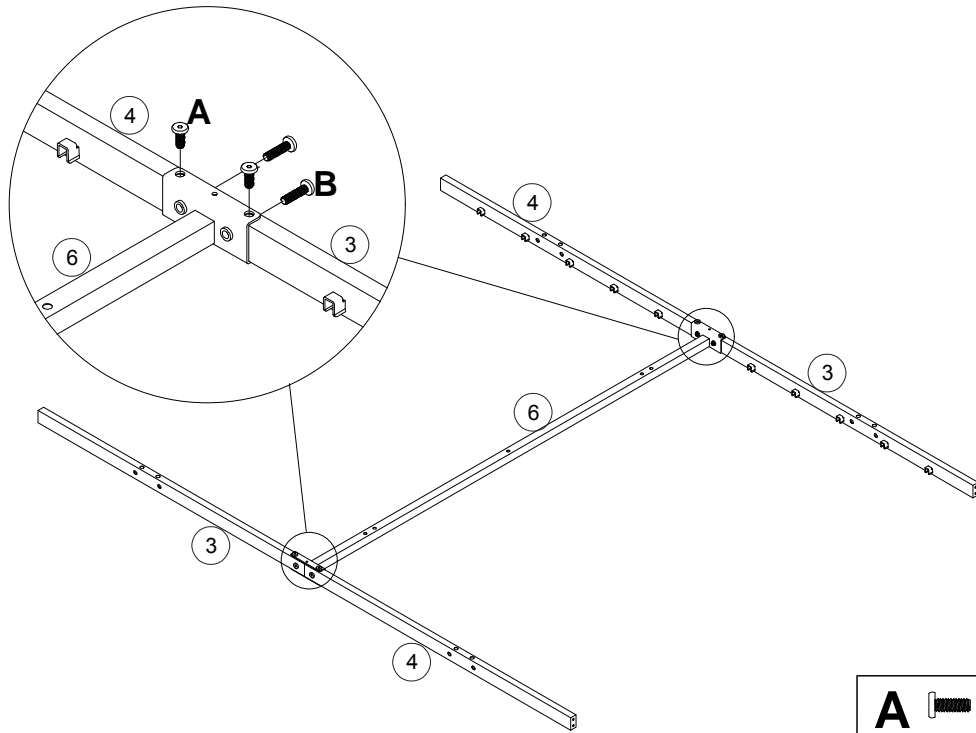
ASSEMBLY INSTRUCTIONS




HARDWARE LIST

<p>A</p>  <p>5/16 X 19mm</p> <p>32PCS</p>	<p>B</p>  <p>5/16 X 35mm</p> <p>43PCS</p>	<p>C</p>  <p>M4</p> <p>1PC</p>	<p>D</p>  <p>M4 X 60mm</p> <p>2PCS</p>
<p>E</p>  <p>Ø8 X 36mm</p> <p>2PCS</p>	<p>F</p>  <p>Ø16 X Ø6.2 X 2.0</p> <p>2PCS</p>		

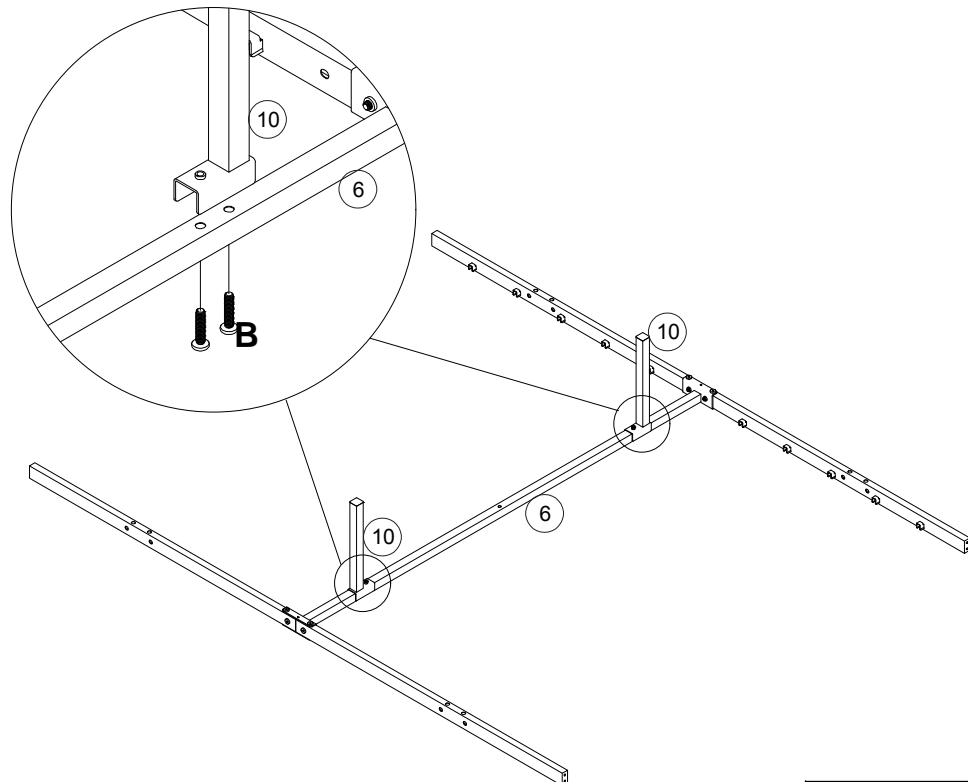
ASSEMBLY INSTRUCTIONS



1



A		5/16x19	4PCS
B		5/16x35	4PCS
C		M4	1PC

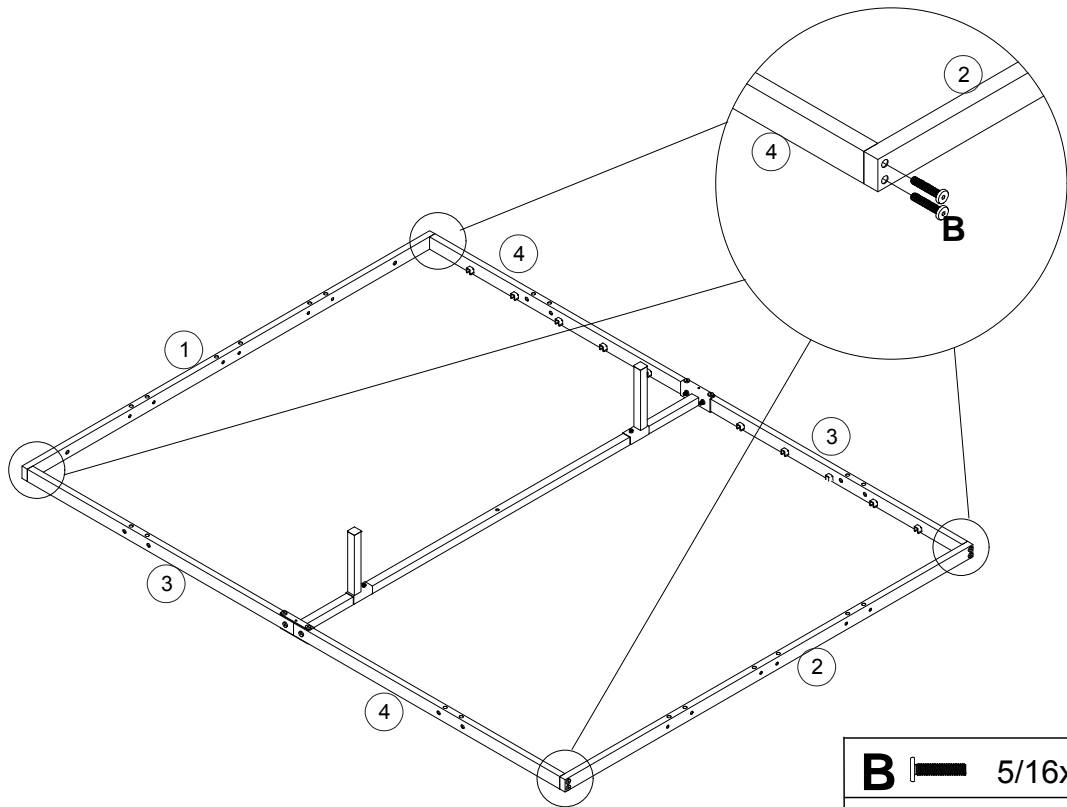
2





B		5/16x35	4PCS
C		M4	1PC

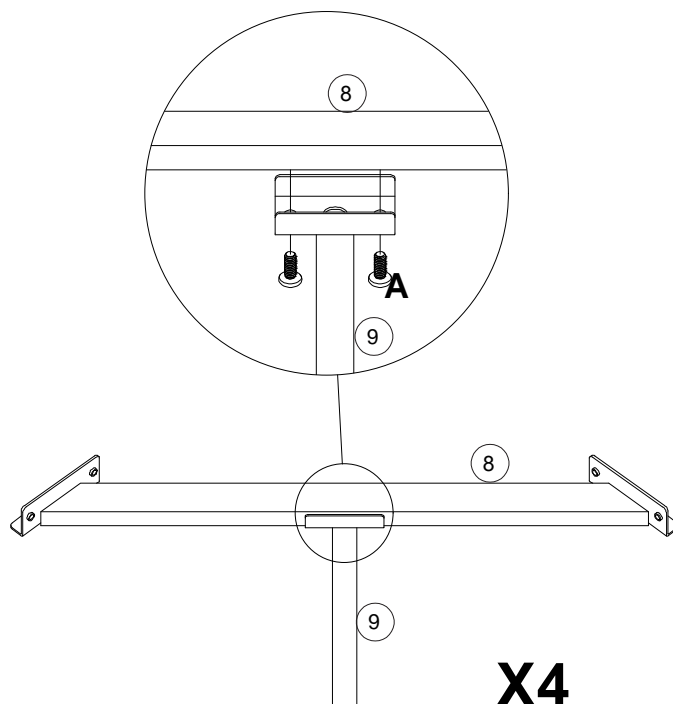
ASSEMBLY INSTRUCTIONS



3



B		5/16x35	8PCS
C		M4	1PC

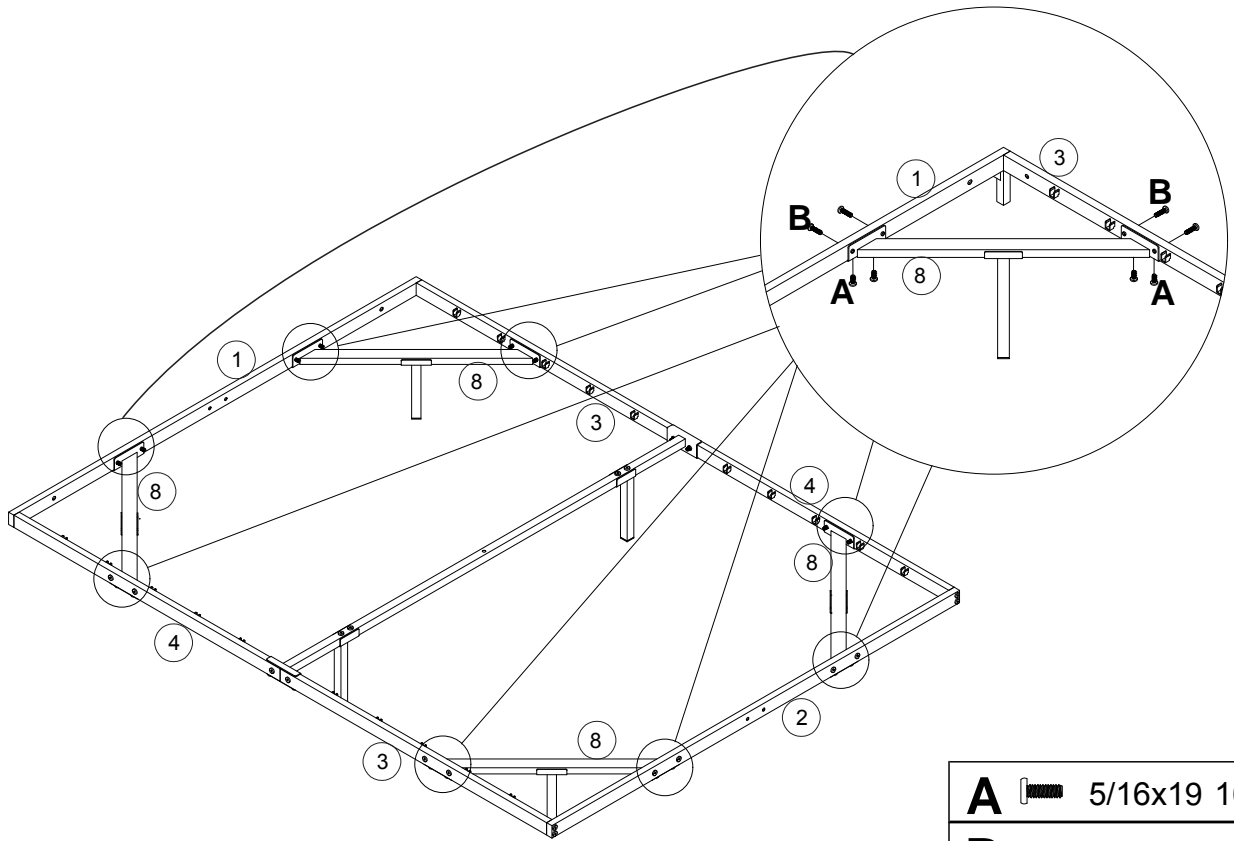
4






A		5/16x19	8PCS
C		M4	1PC

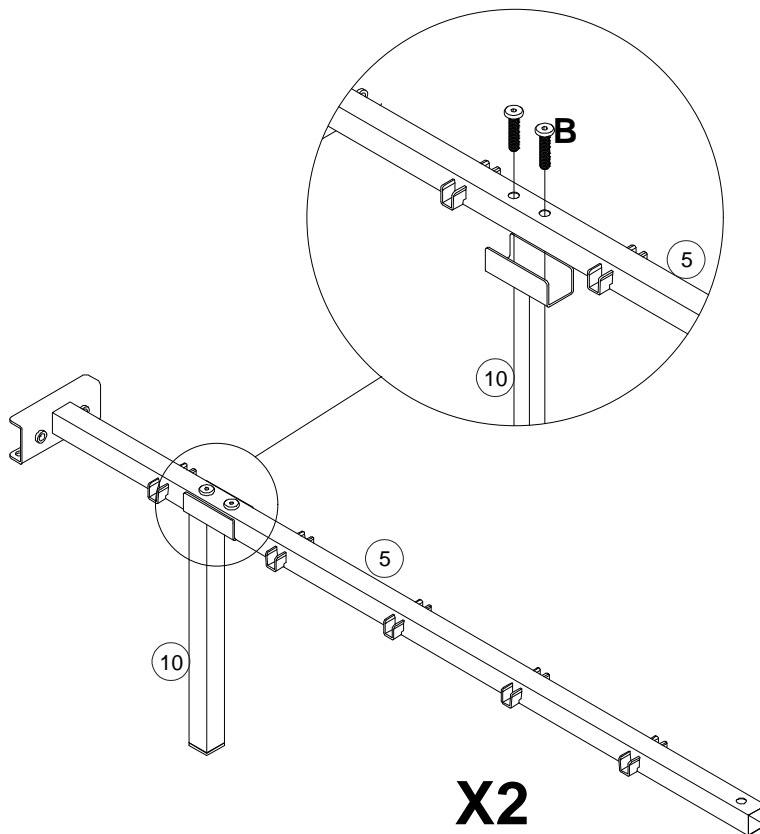
ASSEMBLY INSTRUCTIONS



5



- | | | |
|----------|---|---------------|
| A |  | 5/16x19 16PCS |
| B |  | 5/16x35 16PCS |
| C |  | M4 1PC |

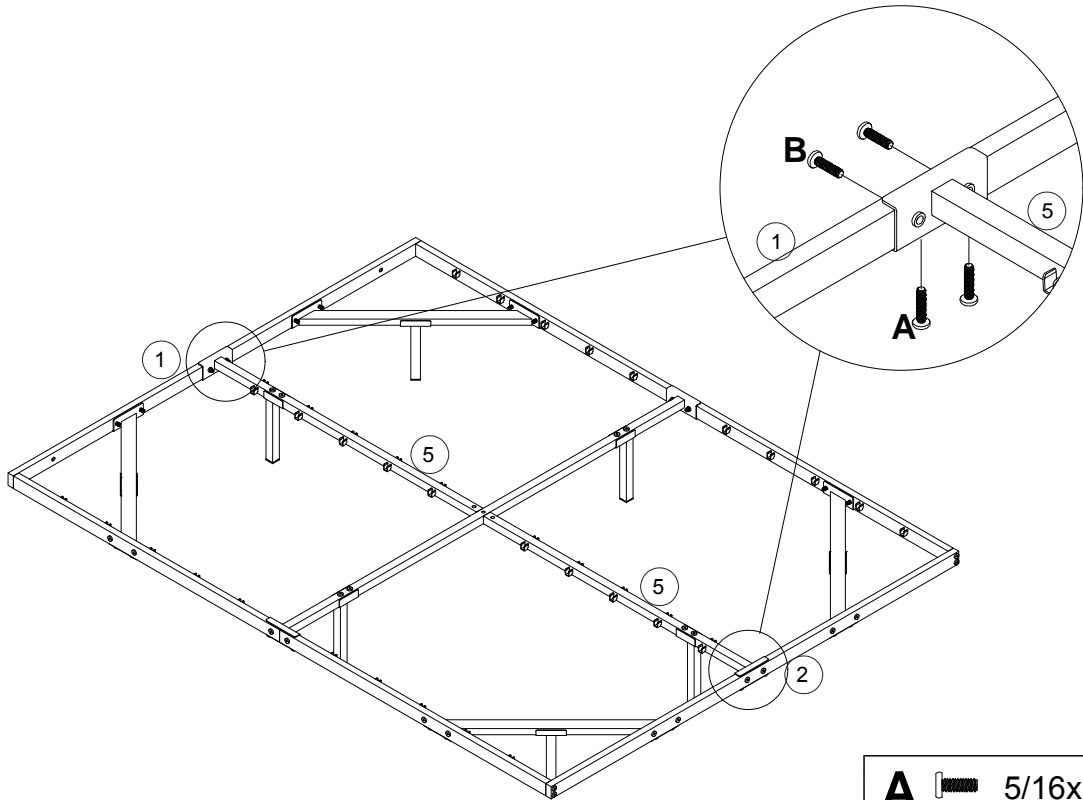
6






- | | | |
|----------|---|--------------|
| B |  | 5/16x35 4PCS |
| C |  | M4 1PC |

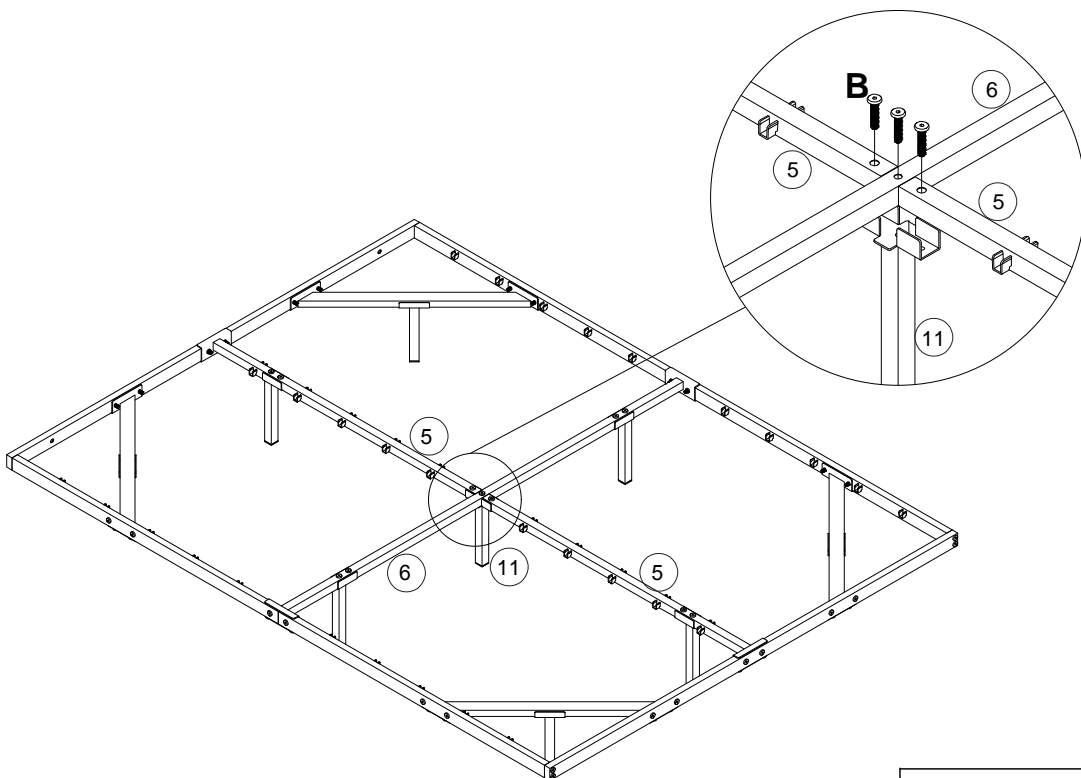
ASSEMBLY INSTRUCTIONS



7



A		5/16x19	4PCS
B		5/16x35	4PCS
C		M4	1PC

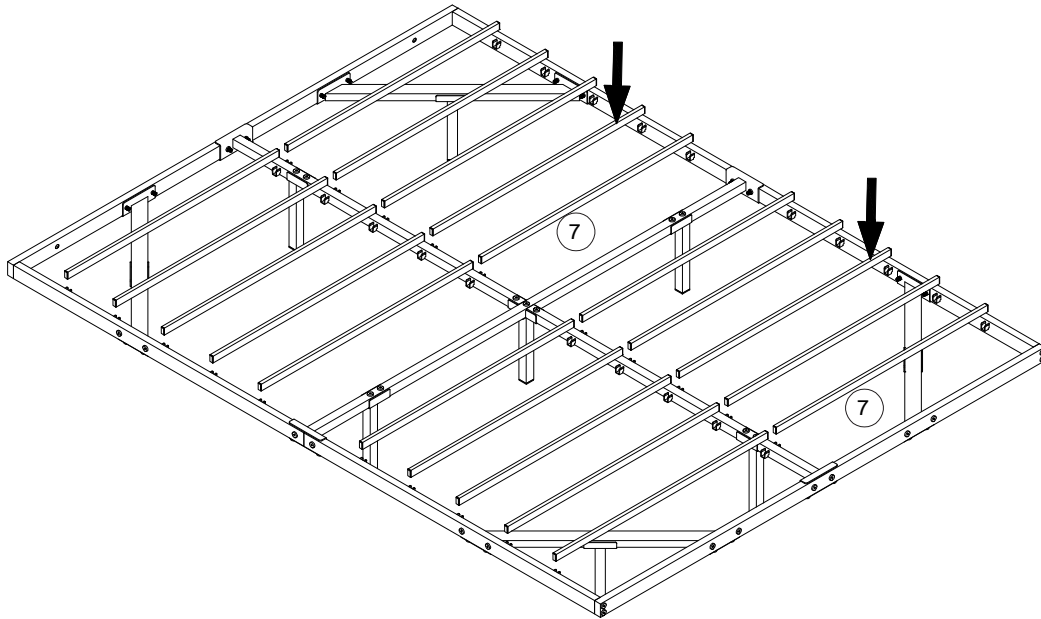
8



B		5/16x35	3PCS
C		M4	1PC

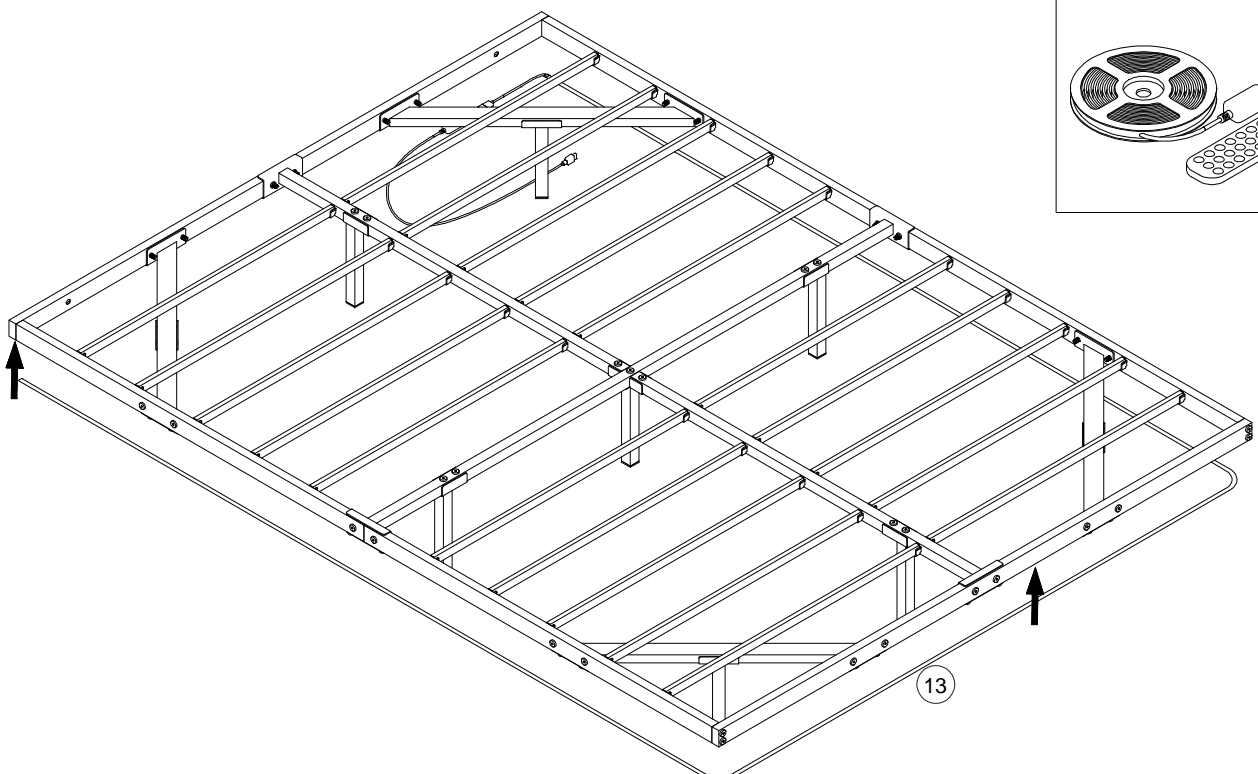
ASSEMBLY INSTRUCTIONS

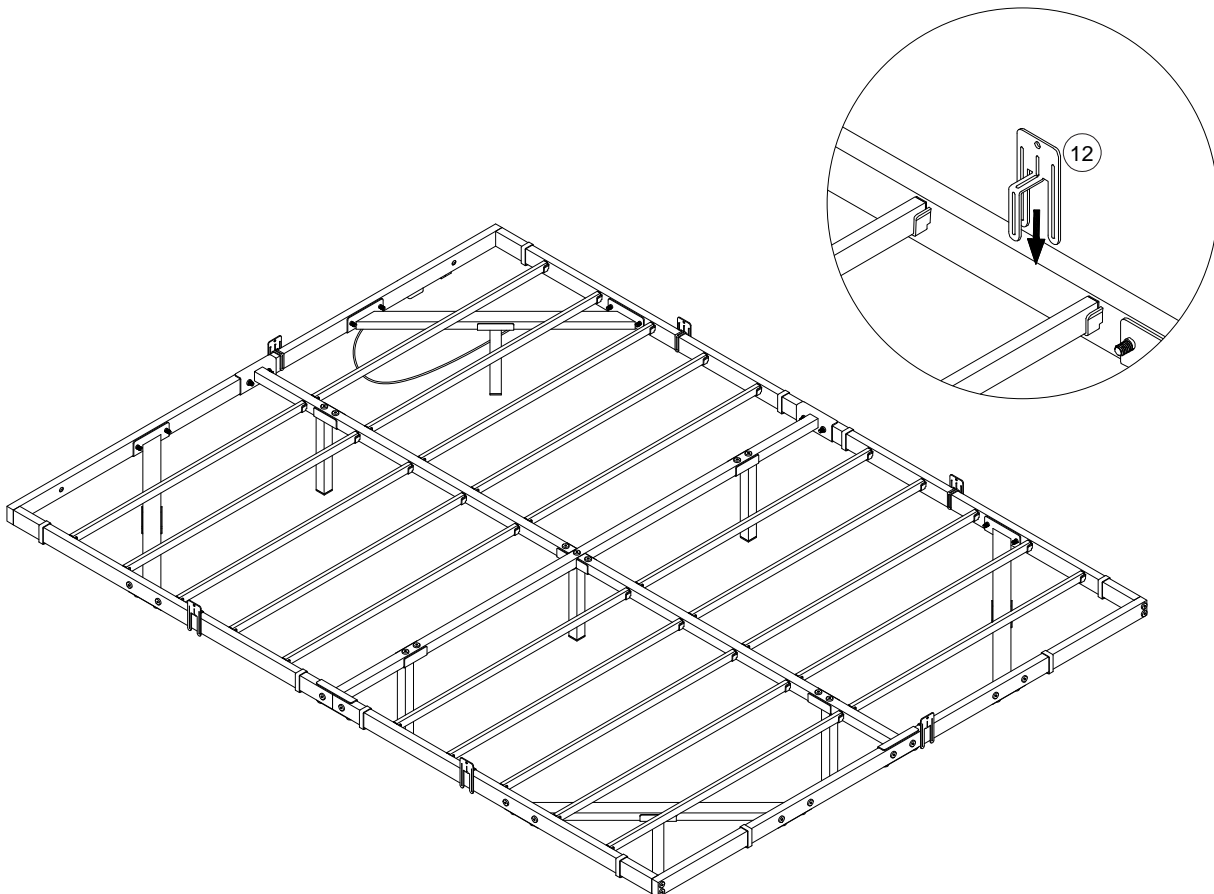
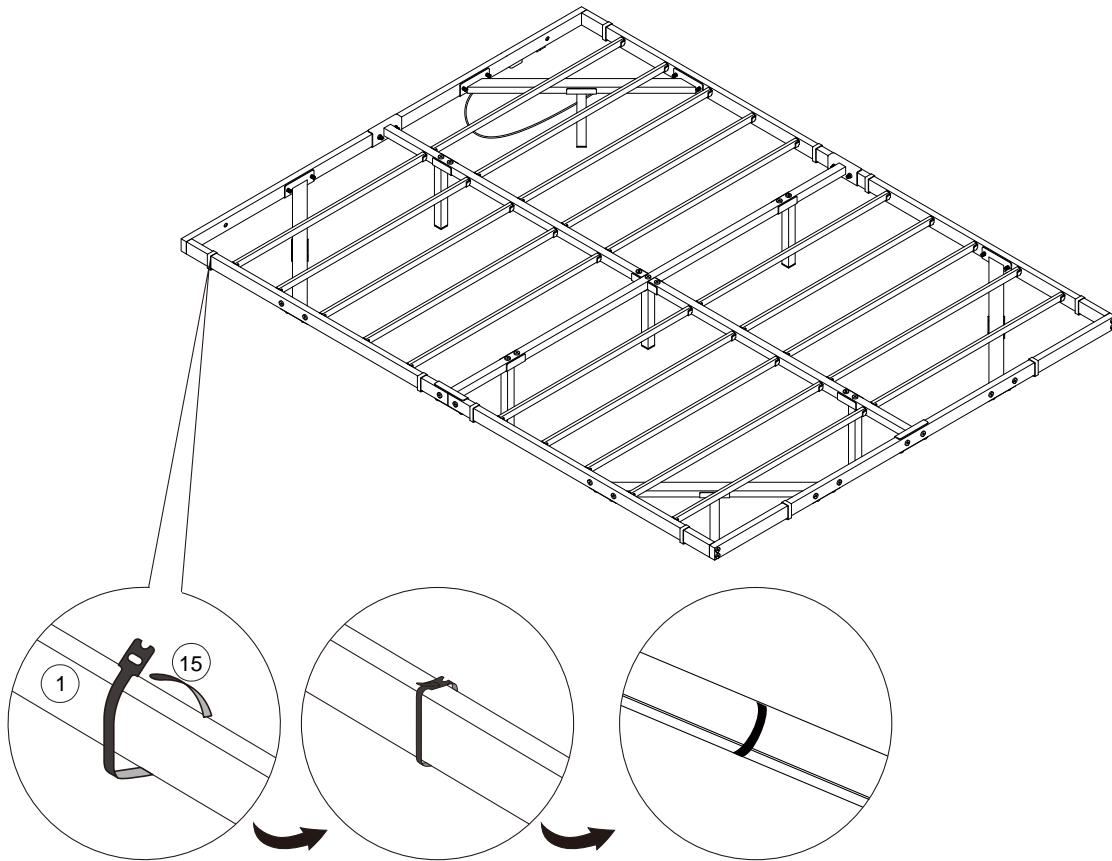
9

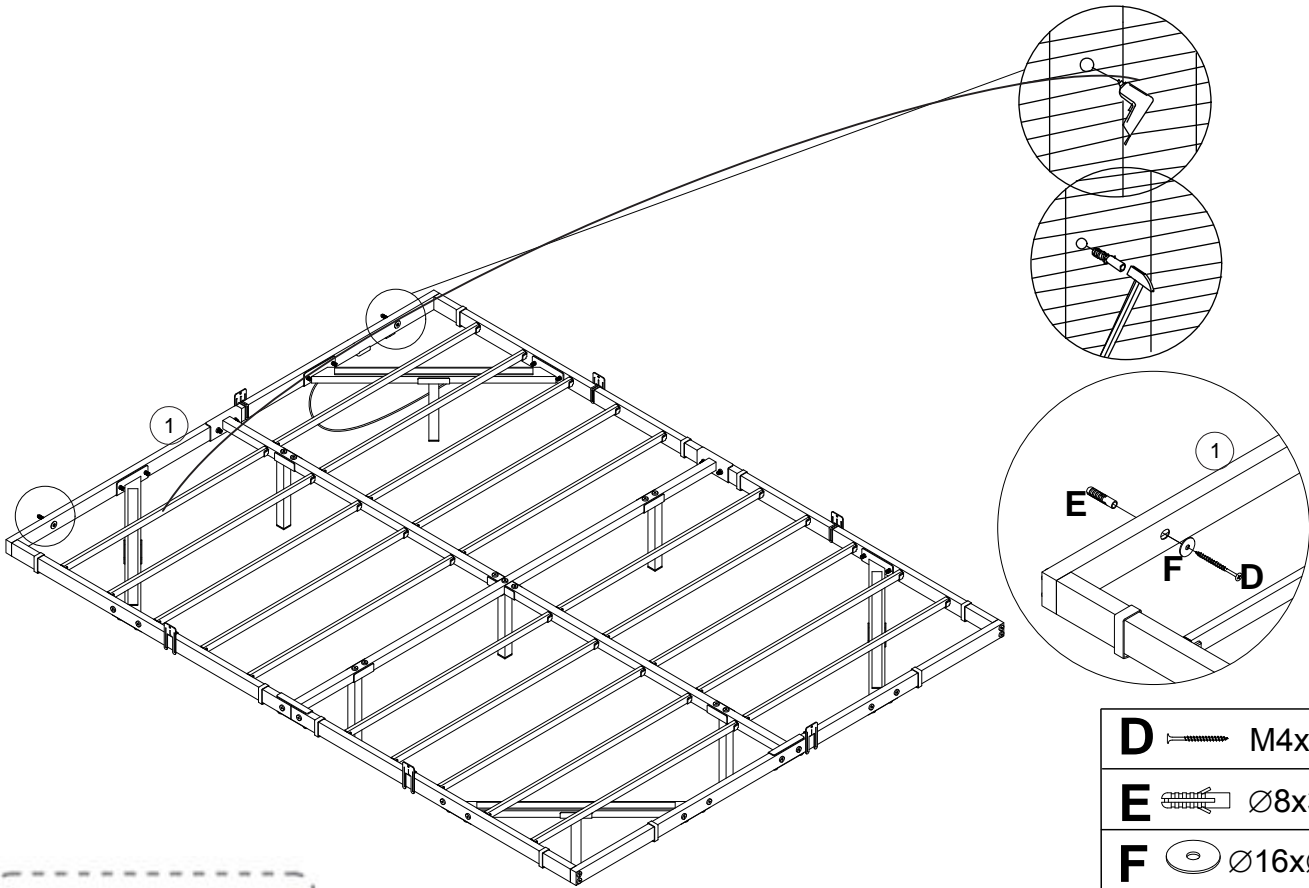


Attach the LED strip to the back of the bed frame as per diagram.

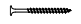



10







Installation Complete

D		M4x60	2PCS
E		Ø8x36	2PCS
F		Ø16xØ6.2	2PCS
C		M4	1PC