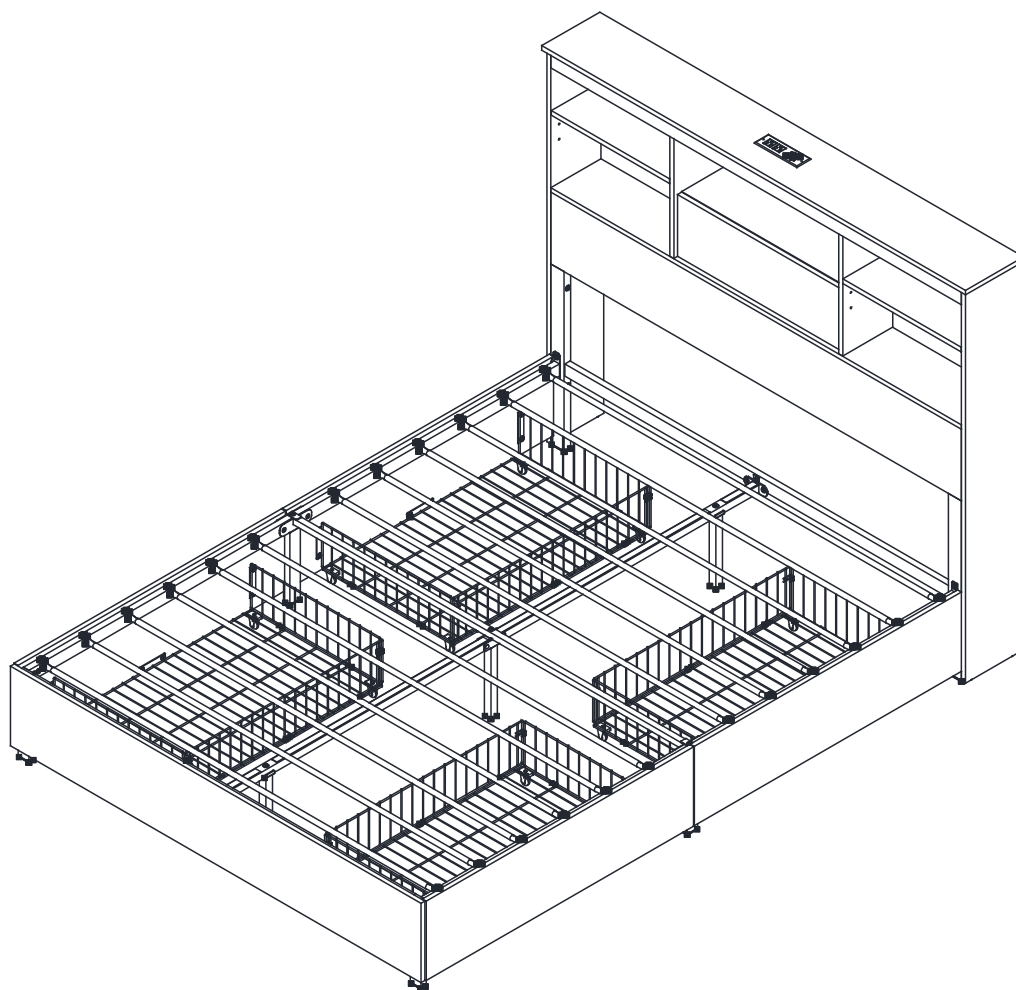


Storage Platform Bed Assembly Instructions



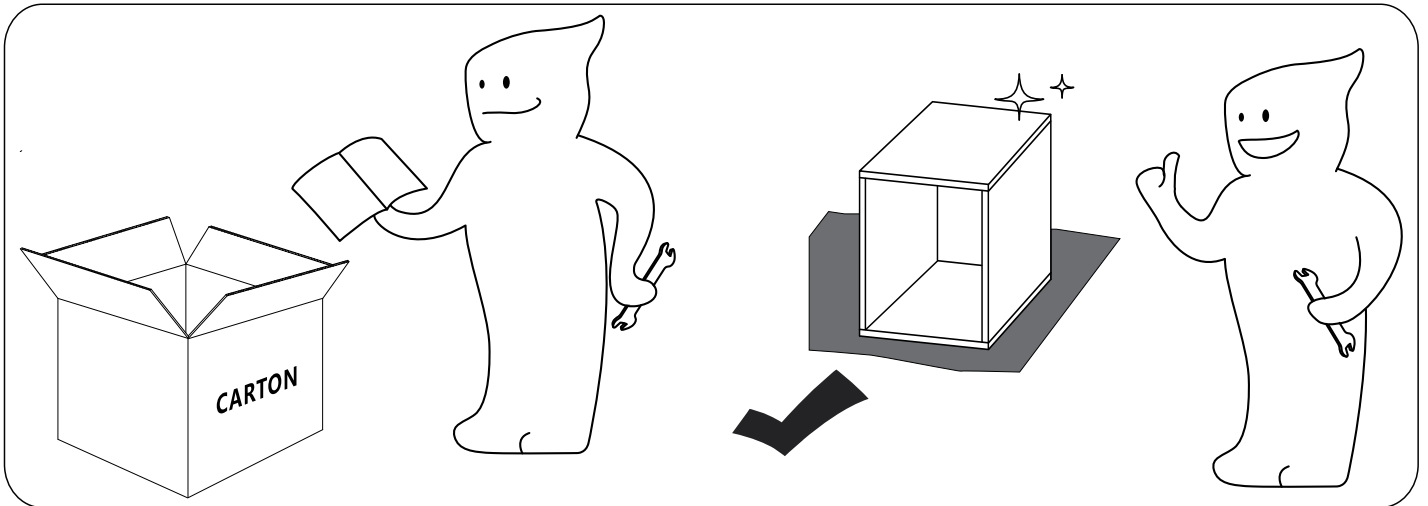
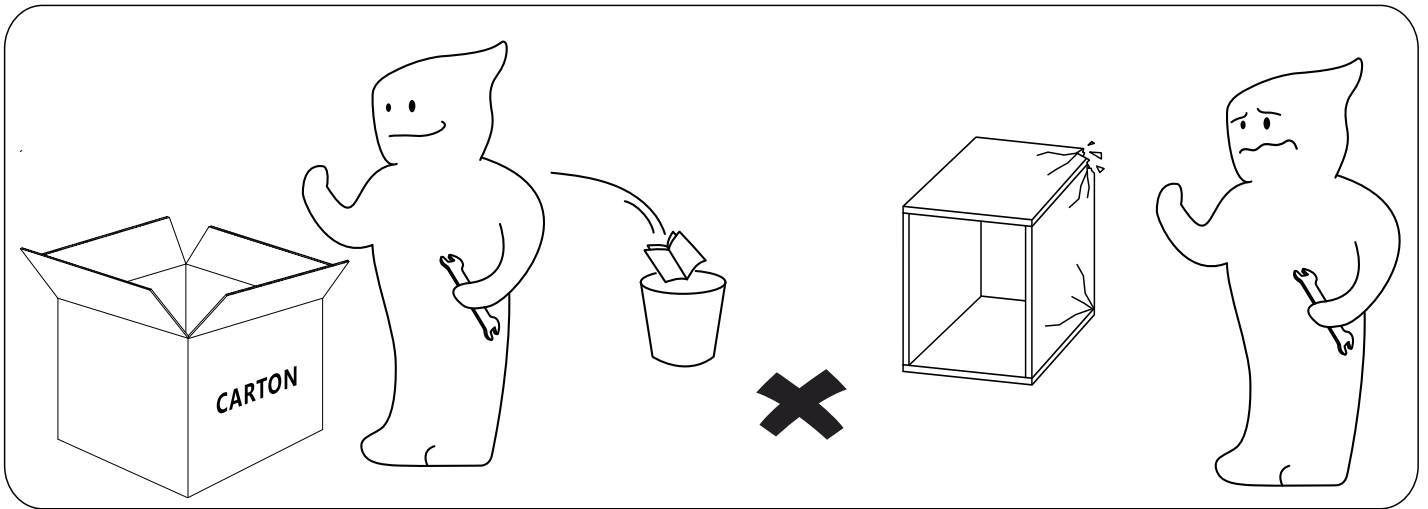
Dear Customers,

Thank you for purchasing our product. Please read this instruction manual carefully after receiving this product. It will help you assemble this product quickly, safely and correctly. You can keep this manual for future reference.

MADE IN CHINA



Please follow the instruction manuals and use a pad to protect the product during your assembly.

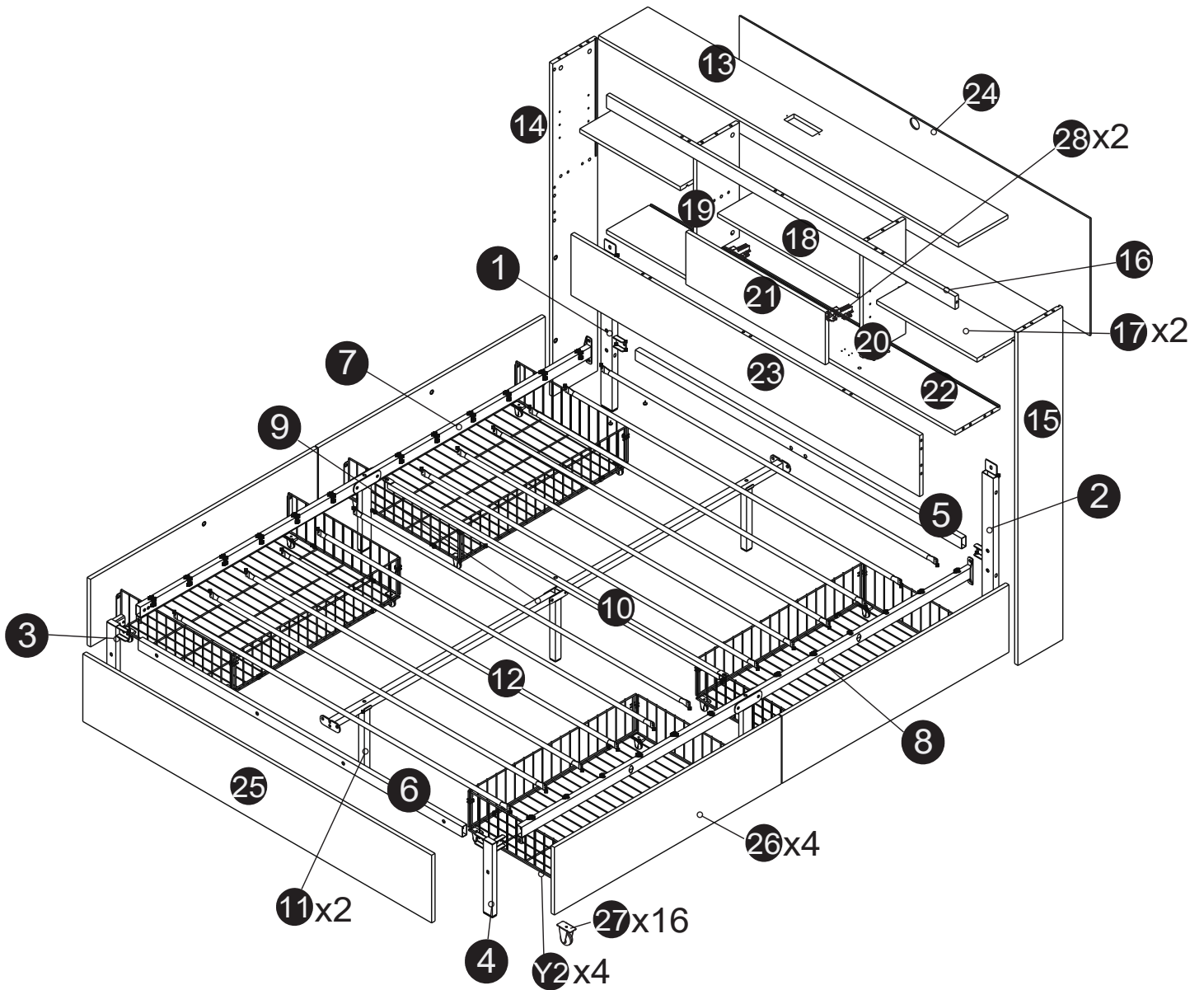


Note:

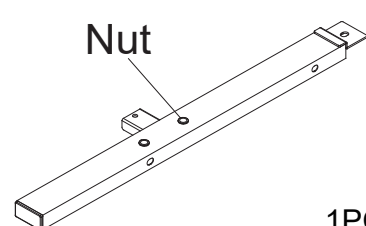
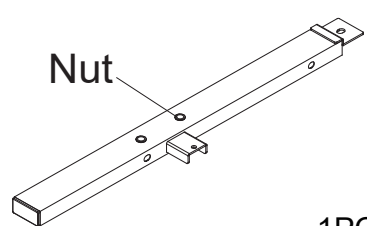
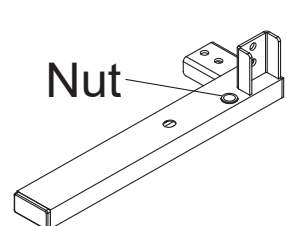
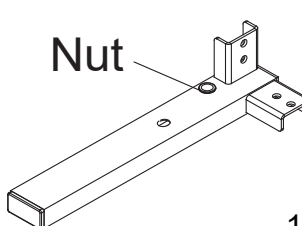
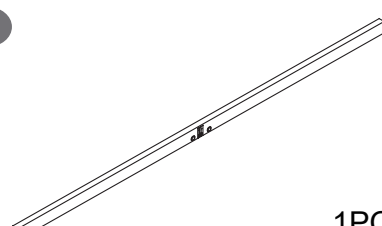
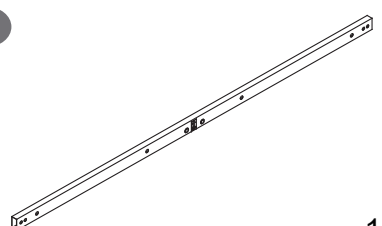
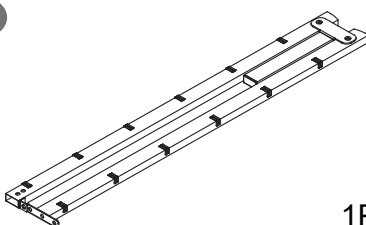
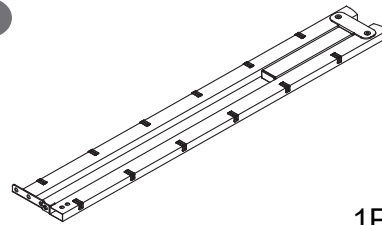
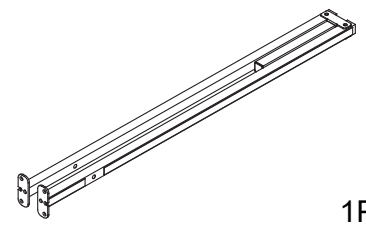
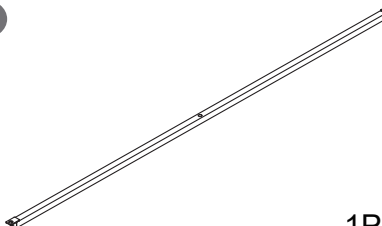
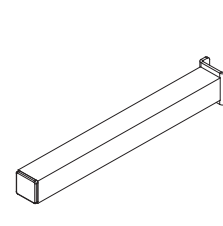
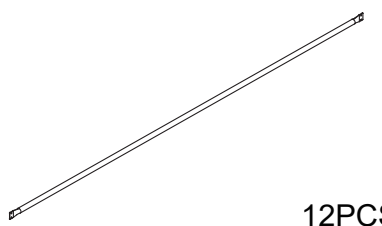
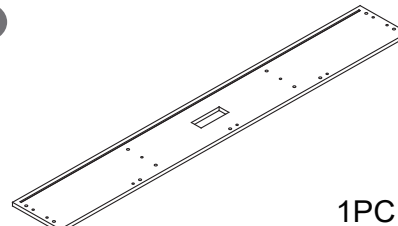
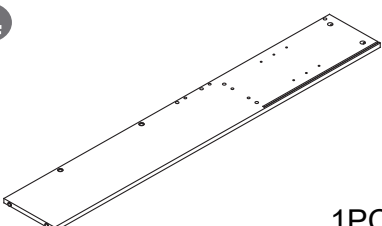
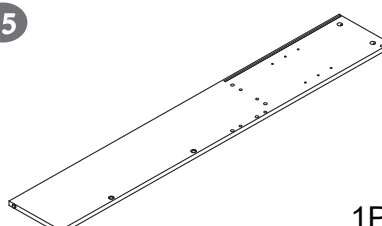
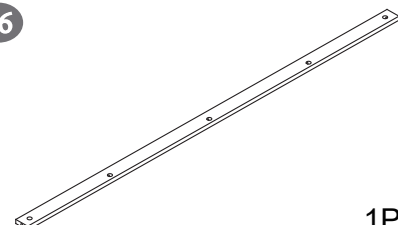
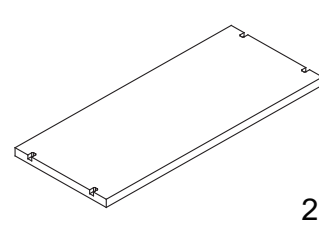
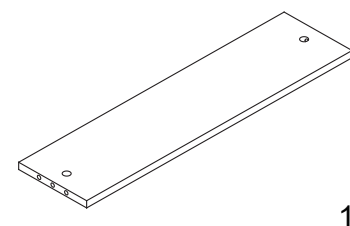
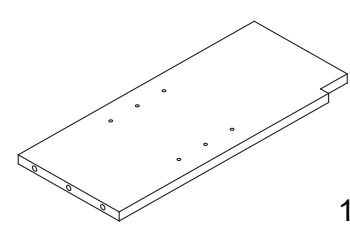
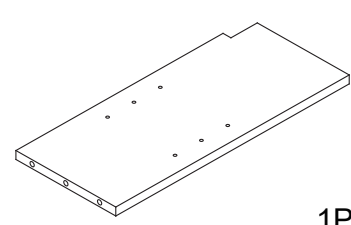
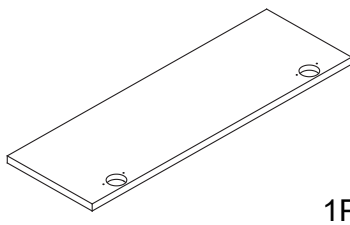
- 1. Should be assembled on flat ground to keep balance.**
- 2. Before completing the installation, do not tighten the screws.**



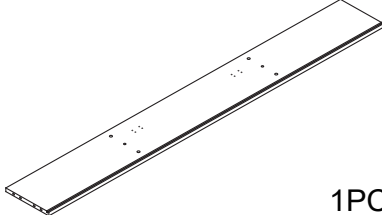
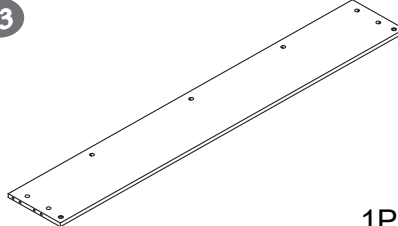
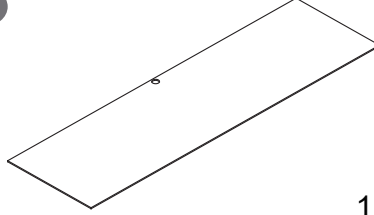
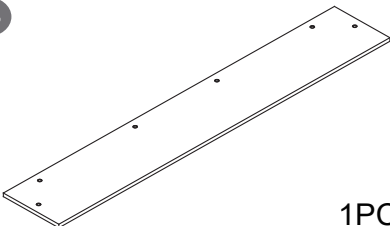
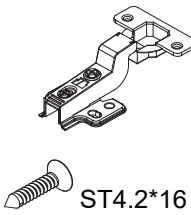

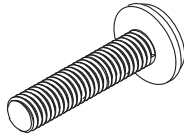
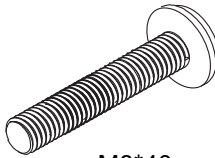
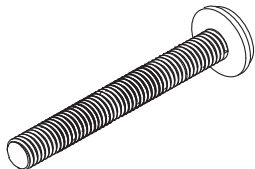

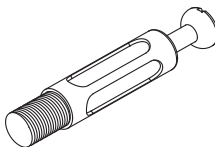
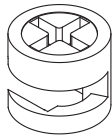
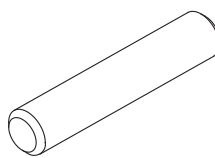
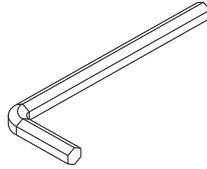
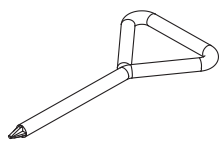
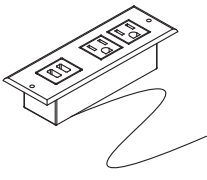
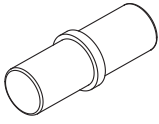
For easier and better assembly, **2** or more adults are required.

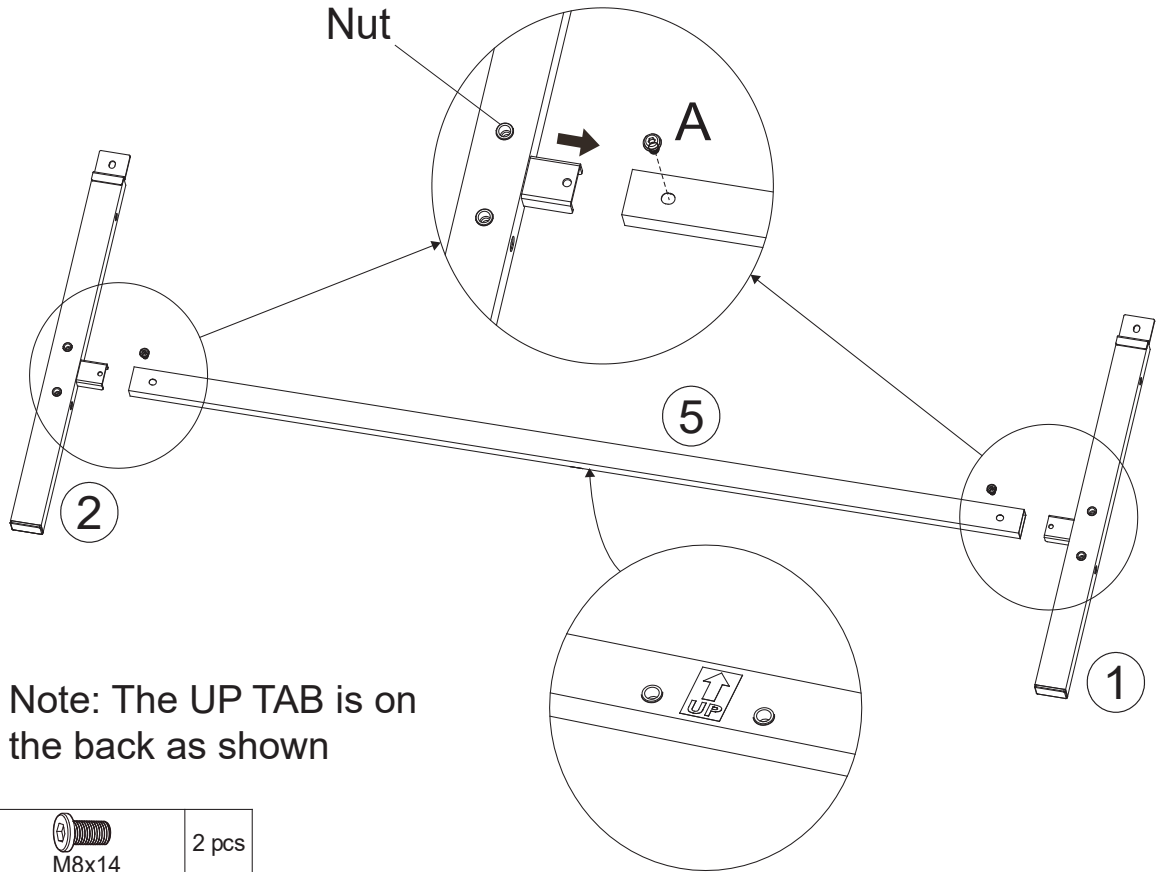



PARTS LIST(Drawer not included)

<p>1</p>  <p>Nut</p> <p>1PC</p>	<p>2</p>  <p>Nut</p> <p>1PC</p>	<p>3</p>  <p>Nut</p> <p>1PC</p>
<p>4</p>  <p>Nut</p> <p>1PC</p>	<p>5</p>  <p>1PC</p>	<p>6</p>  <p>1PC</p>
<p>7</p>  <p>1PC</p>	<p>8</p>  <p>1PC</p>	<p>9</p>  <p>1PC</p>
<p>10</p>  <p>1PC</p>	<p>11</p>  <p>2PCS</p>	<p>12</p>  <p>12PCS</p>
<p>13</p>  <p>1PC</p>	<p>14</p>  <p>1PC</p>	<p>15</p>  <p>1PC</p>
<p>16</p>  <p>1PC</p>	<p>17</p>  <p>2PCS</p>	<p>18</p>  <p>1PC</p>
<p>19</p>  <p>1PC</p>	<p>20</p>  <p>1PC</p>	<p>21</p>  <p>1PC</p>

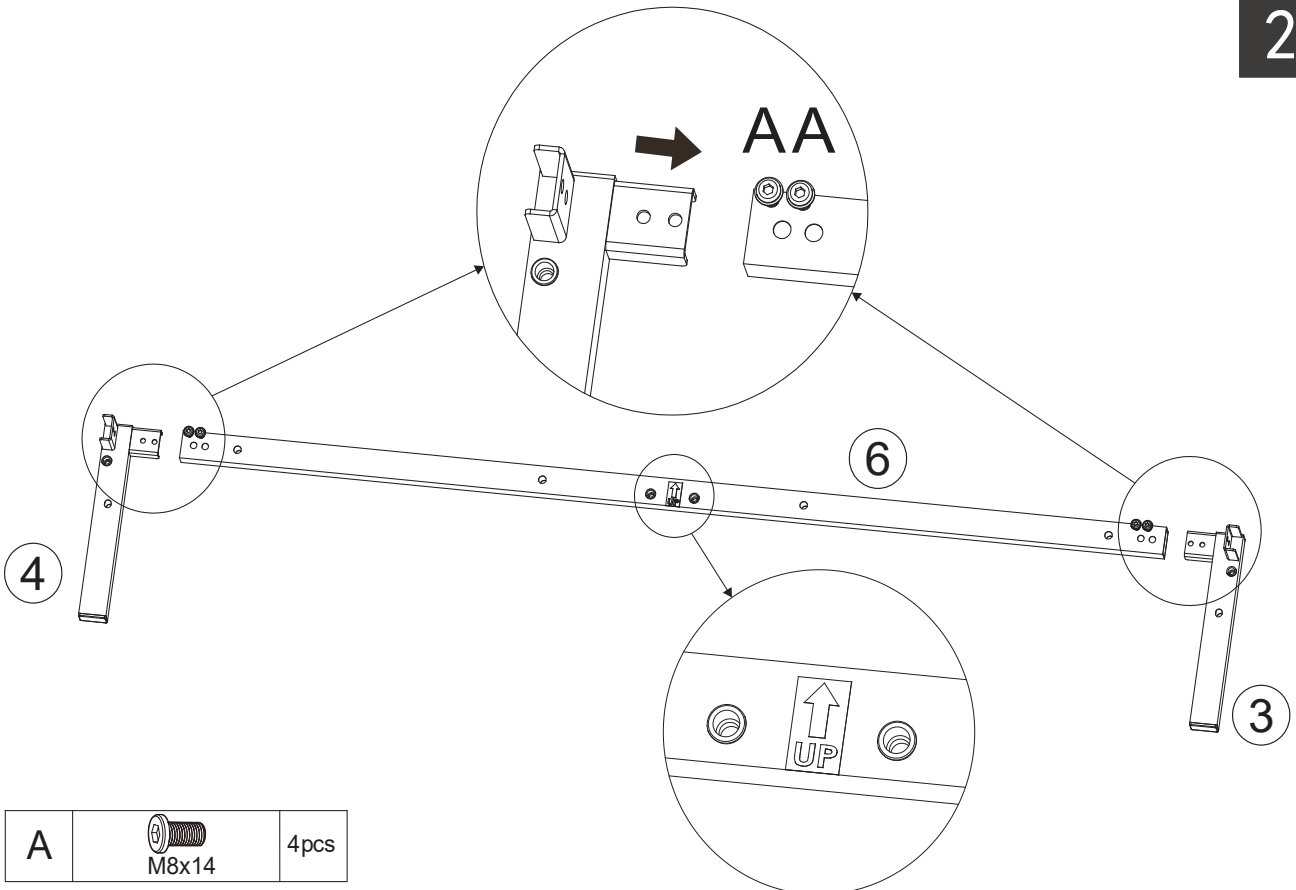
PARTS LIST(Drawer not included)

 <p>22</p> <p>1PC</p>	 <p>23</p> <p>1PC</p>	 <p>24</p> <p>1PC</p>
 <p>25</p> <p>1PC</p>	 <p>28</p> <p>ST4.2*16 2PCS</p>	 <p>A</p> <p>M8*14 18PCS</p>
 <p>C</p> <p>M8*30 10PCS</p>	 <p>D</p> <p>M8*40 2PCS</p>	 <p>E</p> <p>M8*60 7PCS</p>
 <p>G</p> <p>ST4.2*12 2PCS</p>	 <p>H</p> <p>φ7*40 30PCS</p>	 <p>I</p> <p>φ15*12 30PCS</p>
 <p>J</p> <p>φ8*40 26PCS</p>	 <p>L</p> <p>5*5 1PC</p>	 <p>M</p> <p>4*4 1PC</p>
 <p>N</p> <p>1PC</p>	 <p>O</p> <p>φ5*16 8PCS</p>	

1


 Note: The UP TAB is on the back as shown

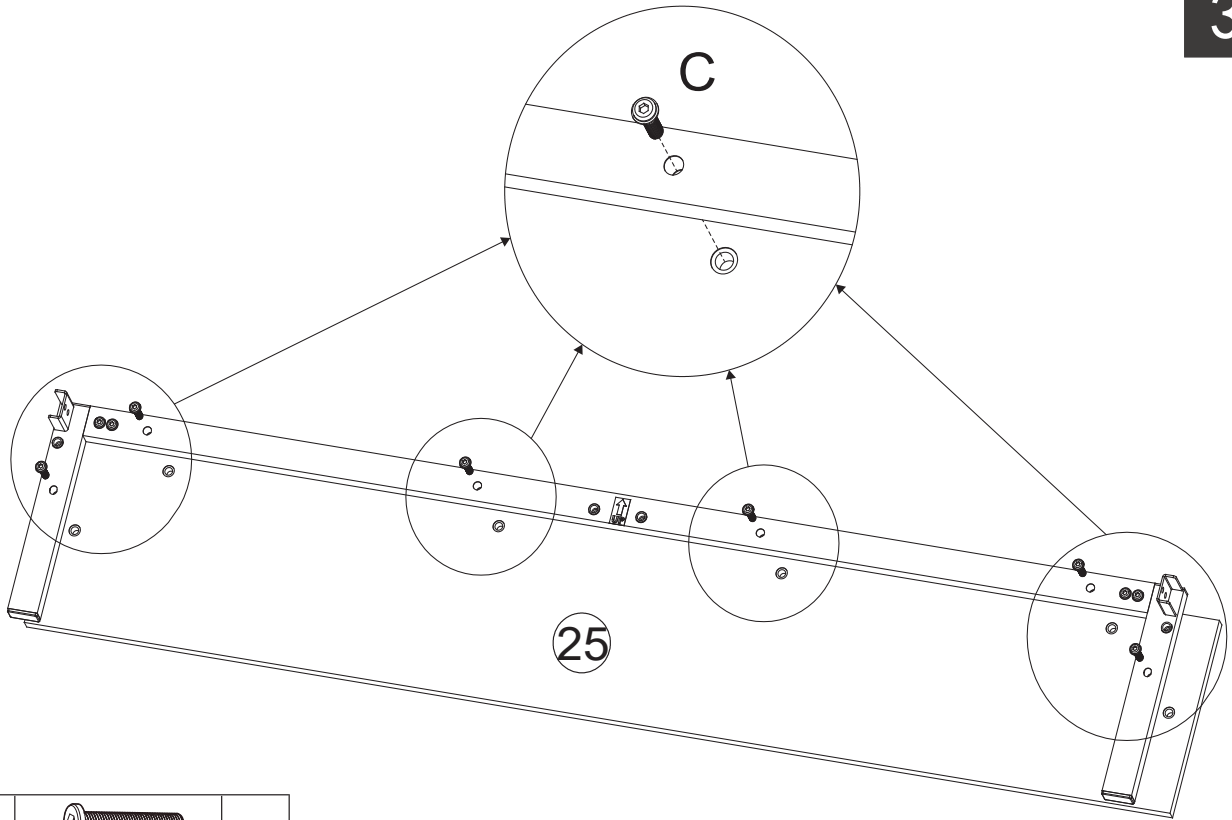
A	 M8x14	2 pcs
---	--	-------

2


A	 M8x14	4 pcs
---	--	-------



3

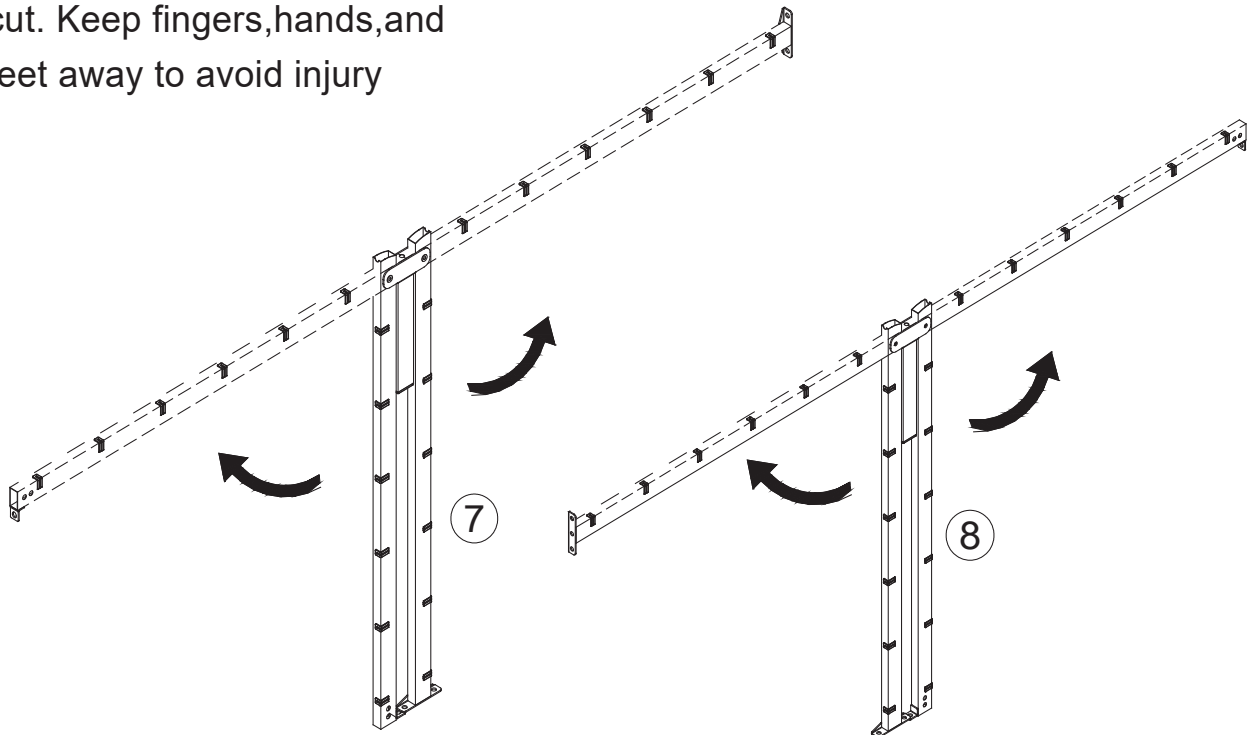


C	 M8x30	6 pcs
---	--	-------


4

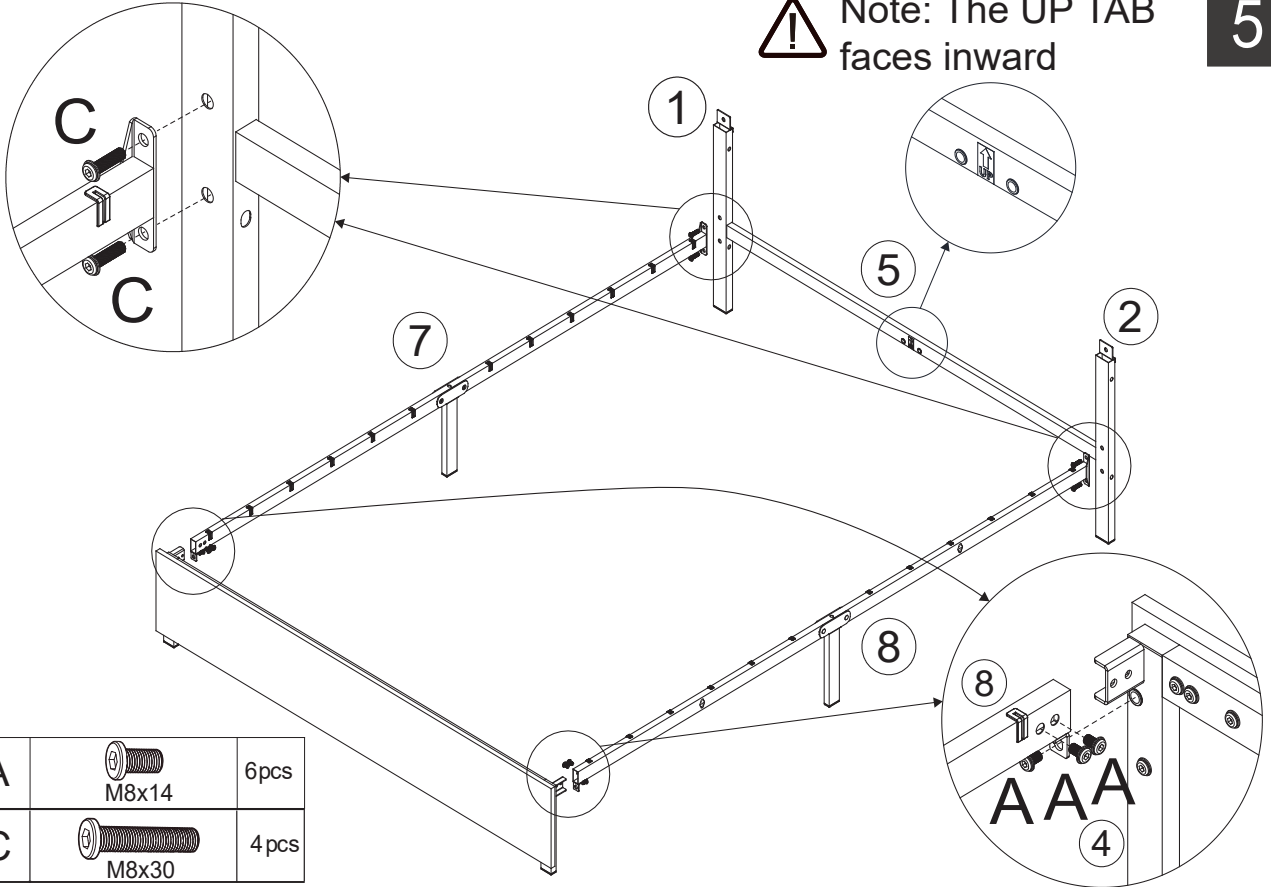
WARNING!



Moving parts can crush or cut. Keep fingers, hands, and feet away to avoid injury



5

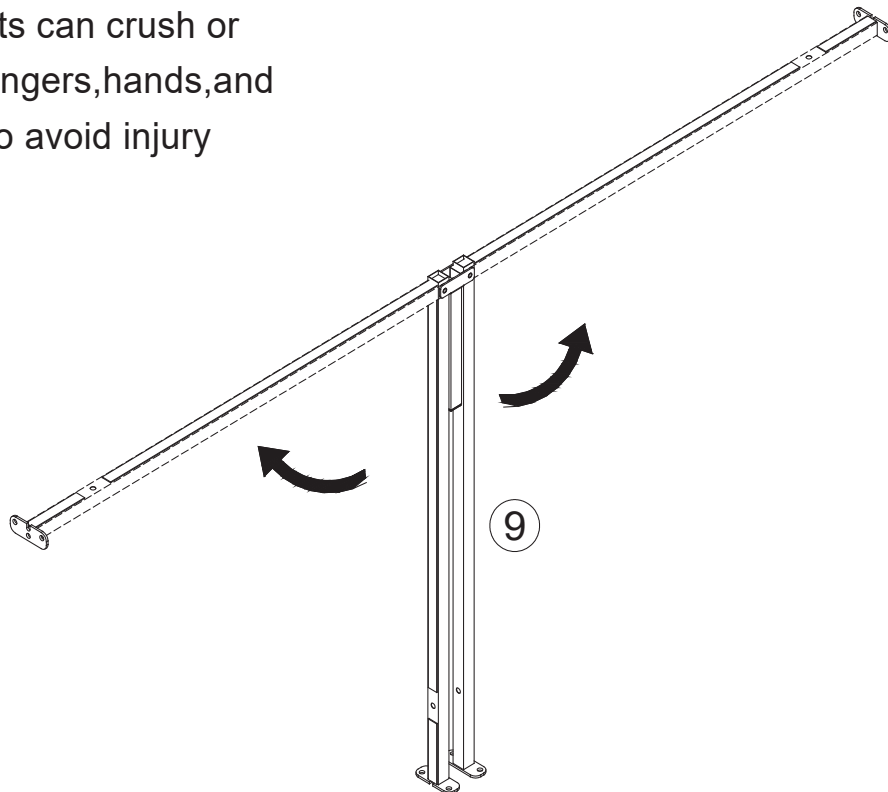
 Note: The UP TAB faces inward

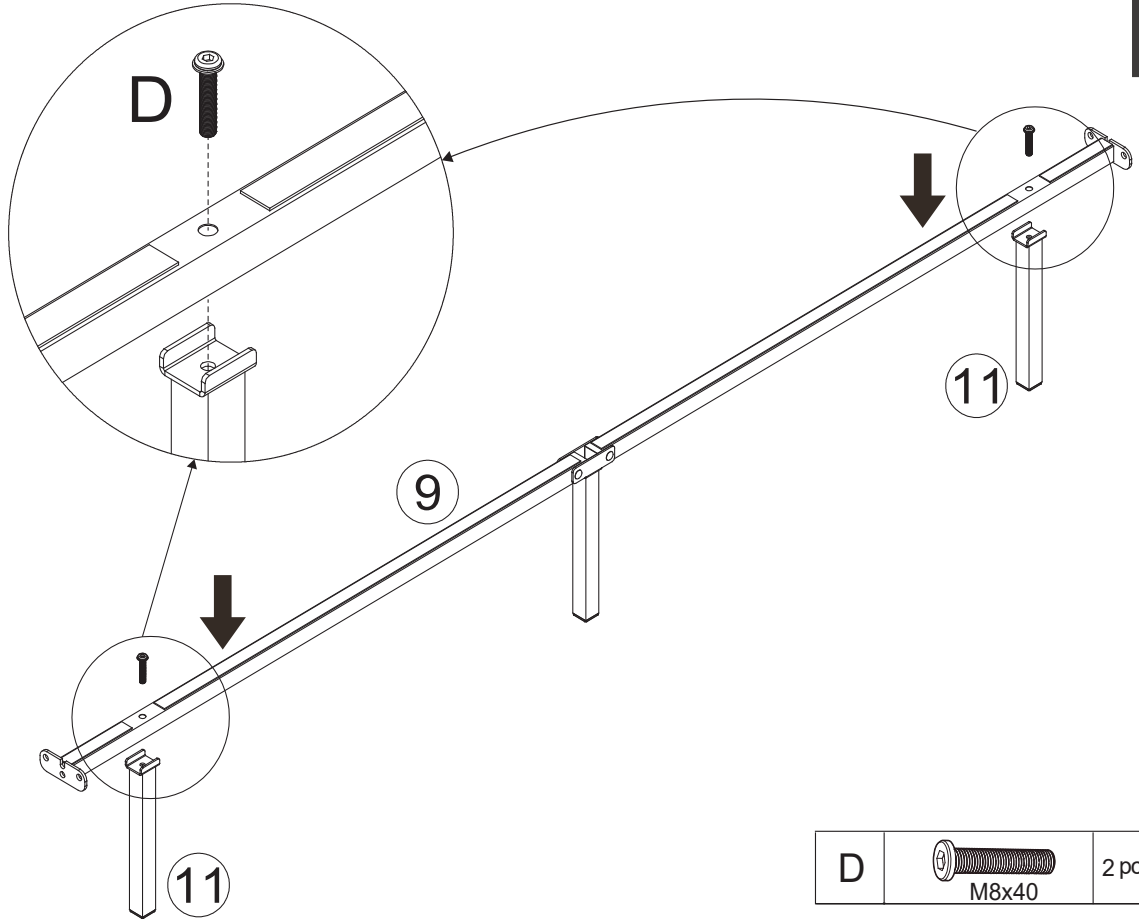



A		6 pcs
C		4 pcs

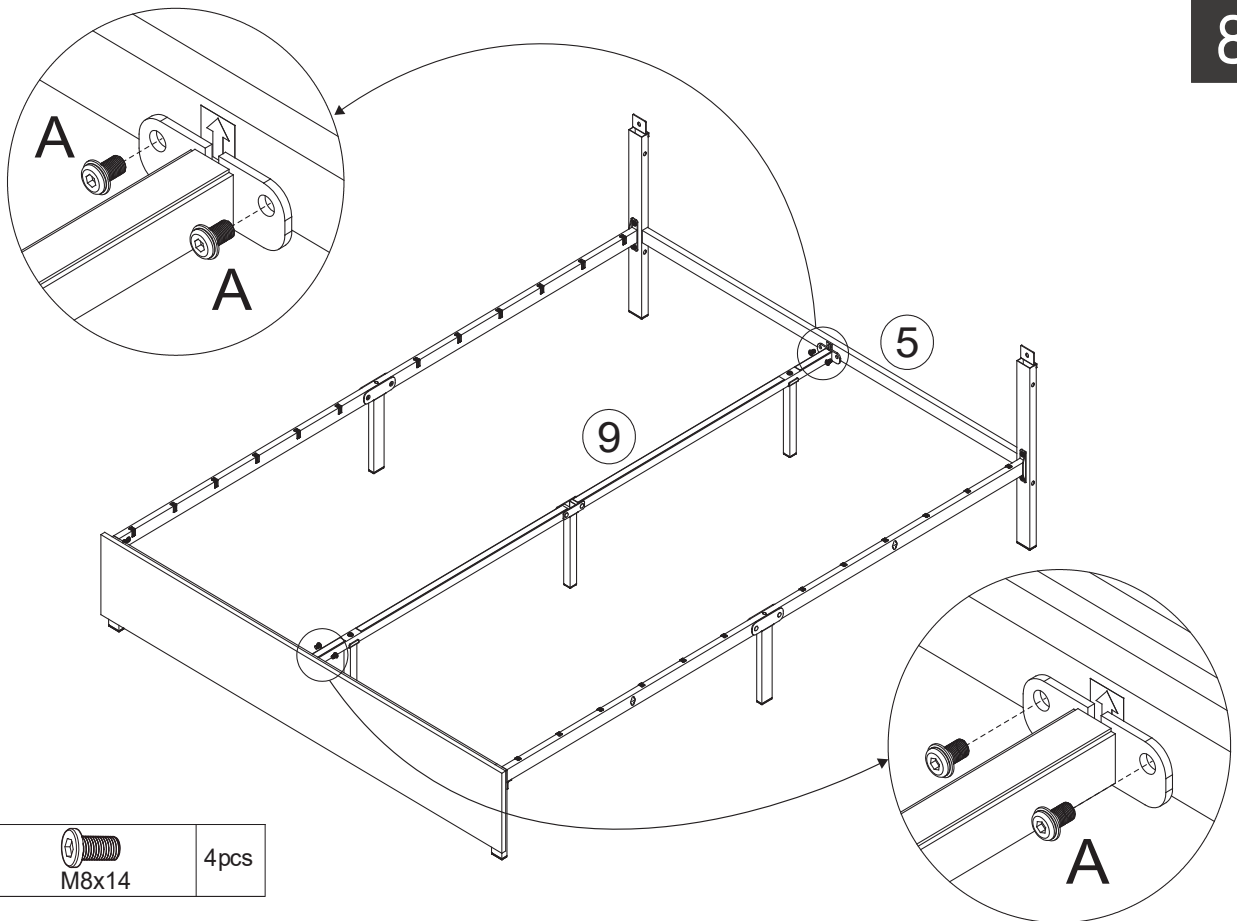
6
WARNING!

Moving parts can crush or cut. Keep fingers, hands, and feet away to avoid injury



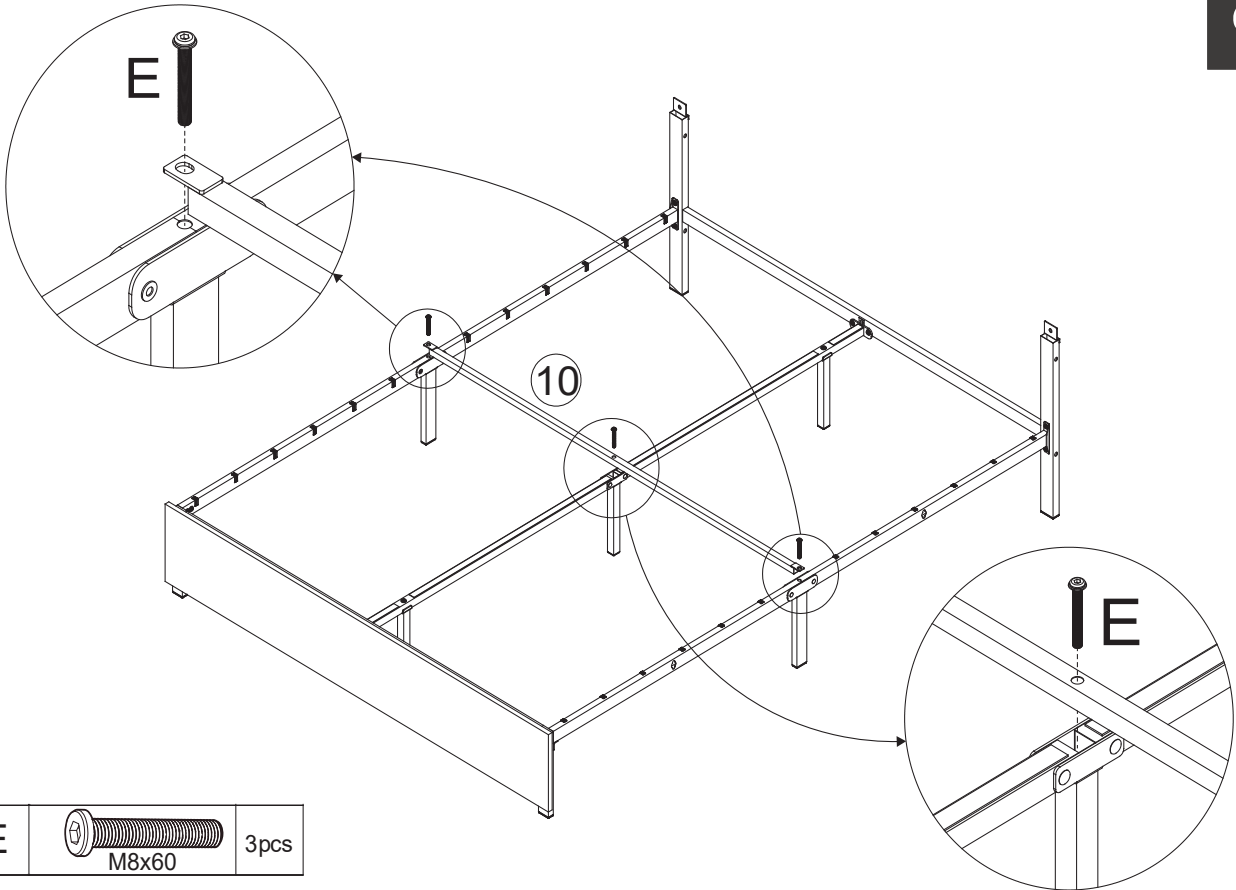
7


D		2 pcs
	M8x40	

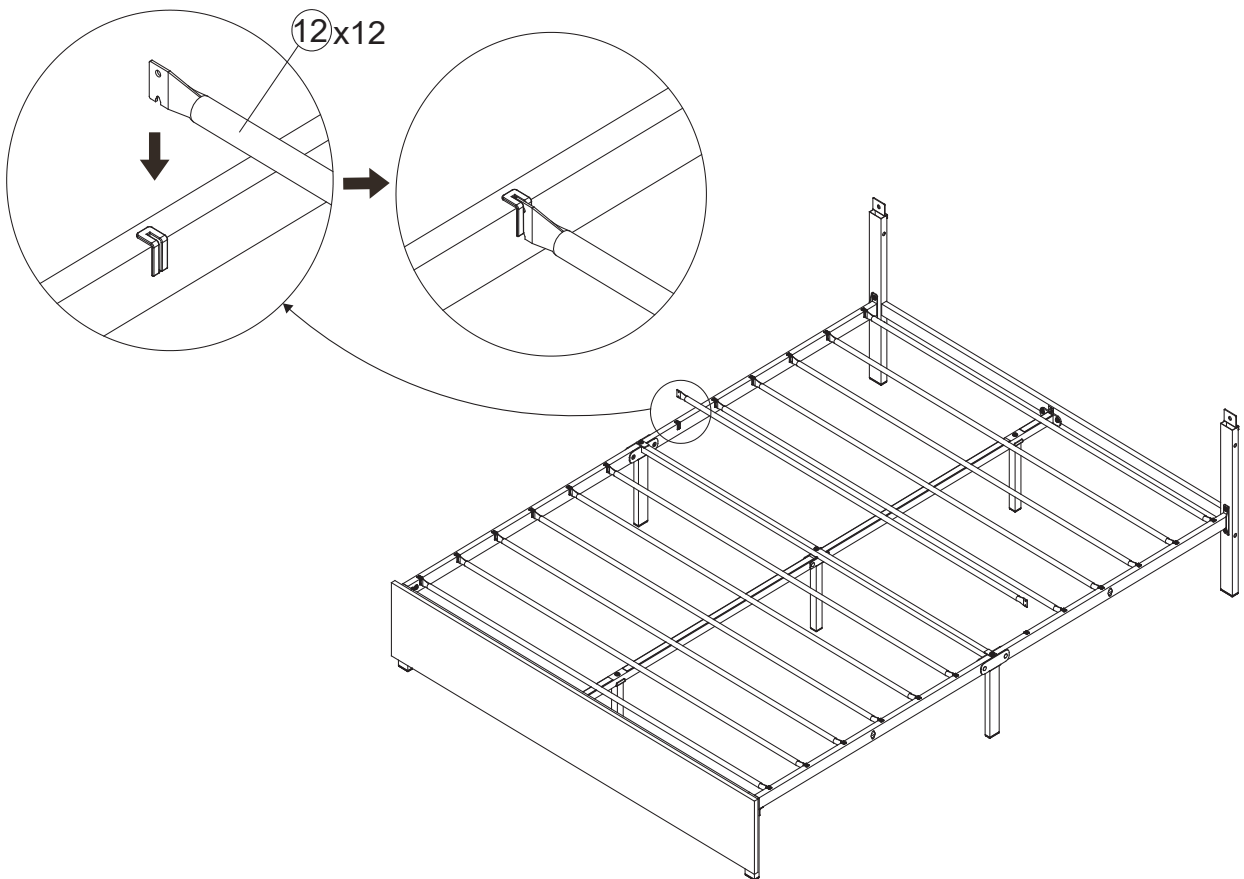
8


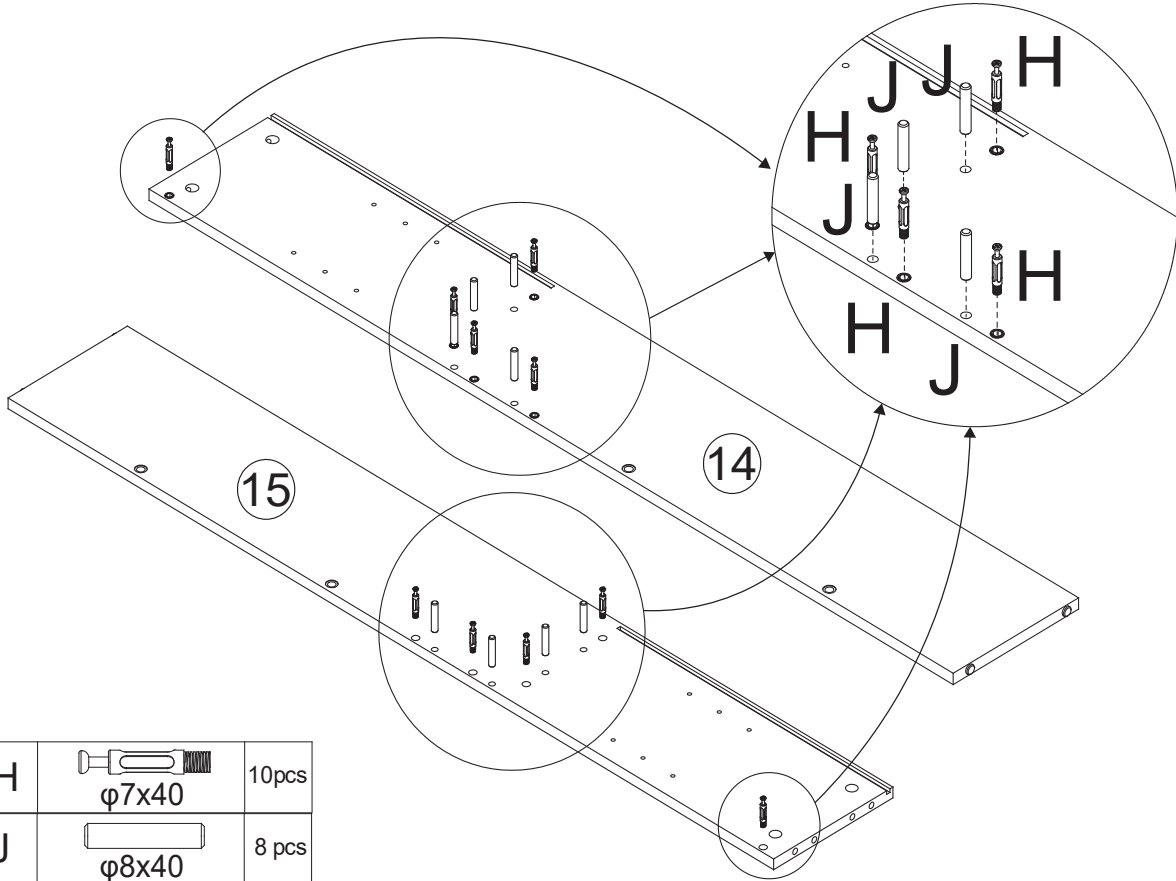
A		4 pcs
	M8x14	

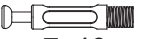
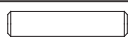
9

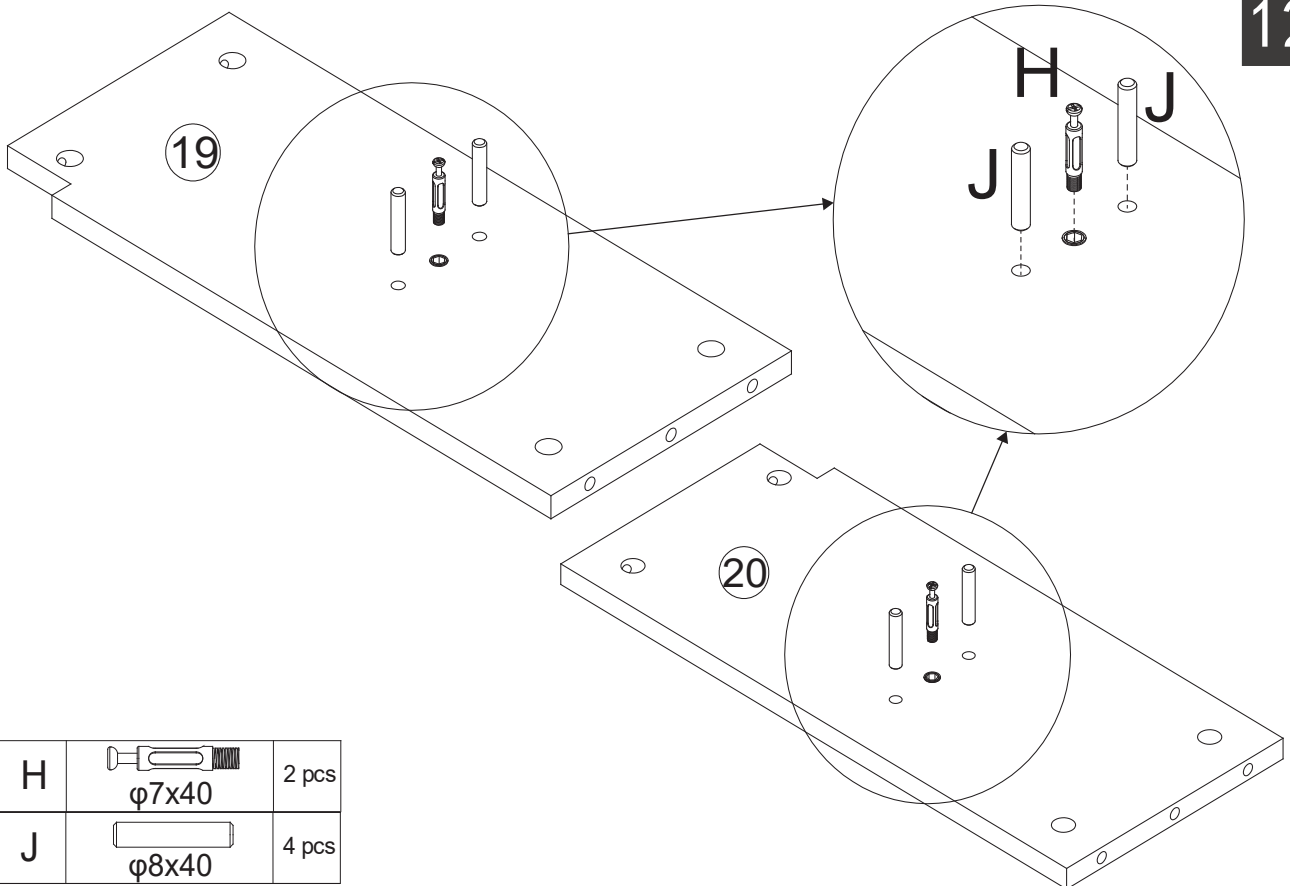


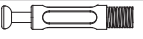

10

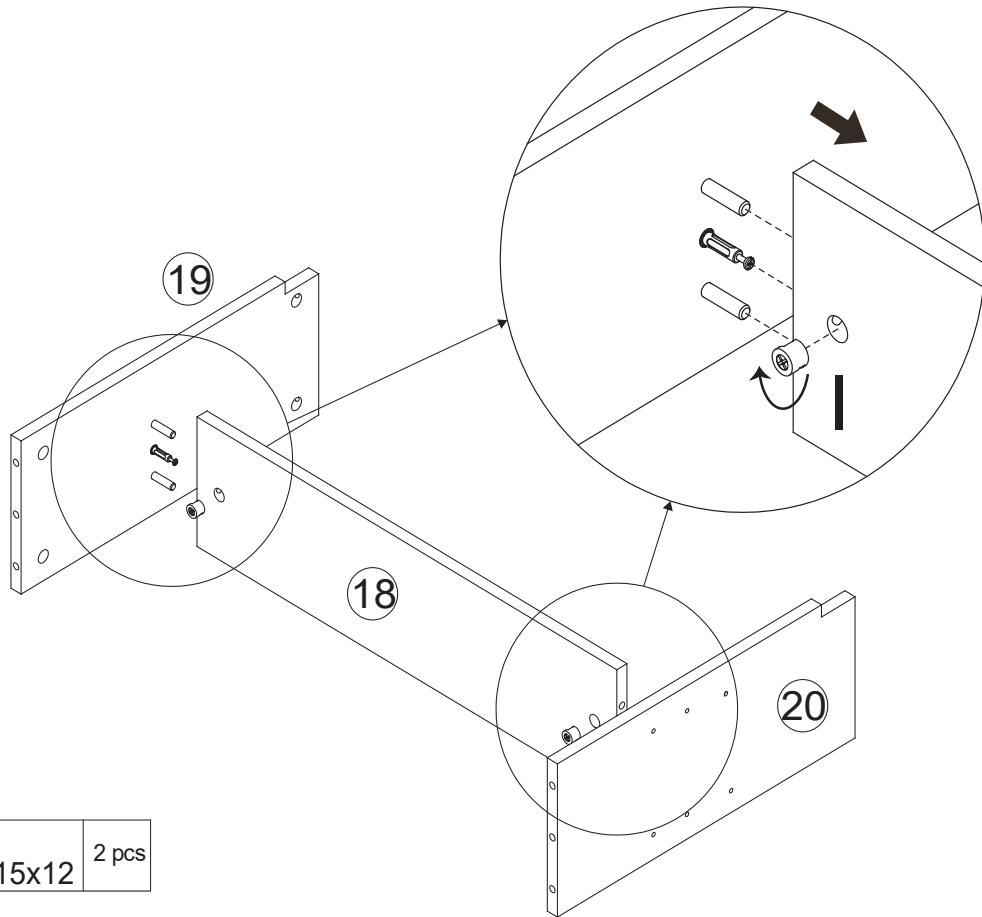


11


H	 φ7x40	10 pcs
J	 φ8x40	8 pcs


12


H	 φ7x40	2 pcs
J	 φ8x40	4 pcs

13


I		$\varnothing 15 \times 12$	2 pcs
---	---	----------------------------	-------

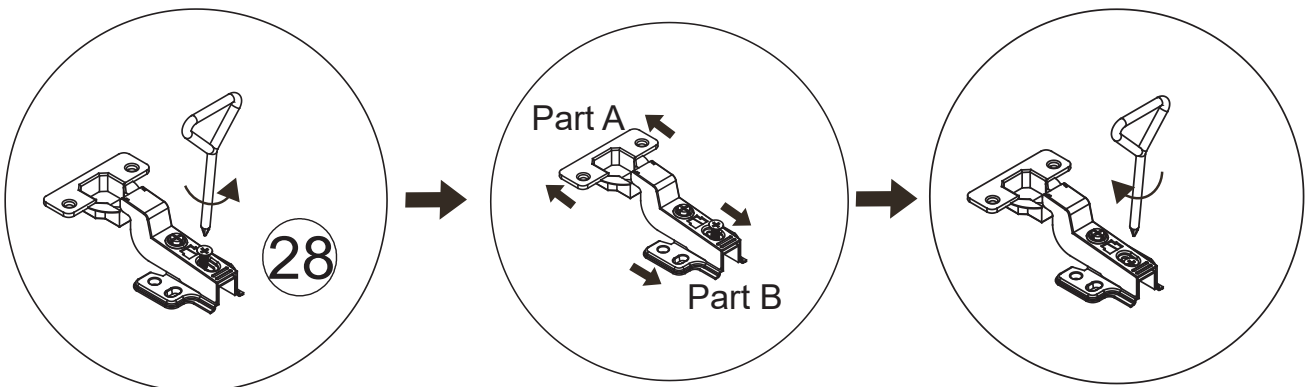
14

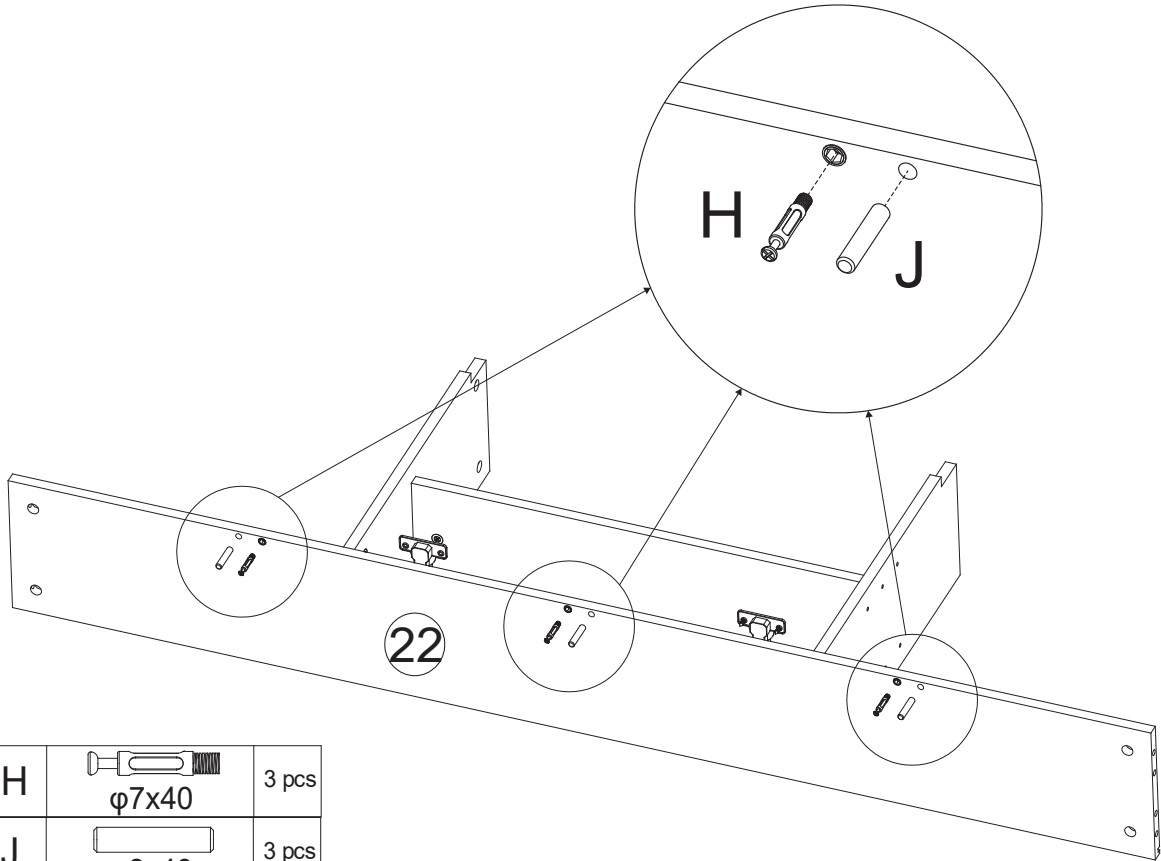
 Make the following adjustments to component 28 before installing Step 15


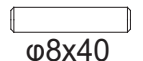
Loosen the screw first

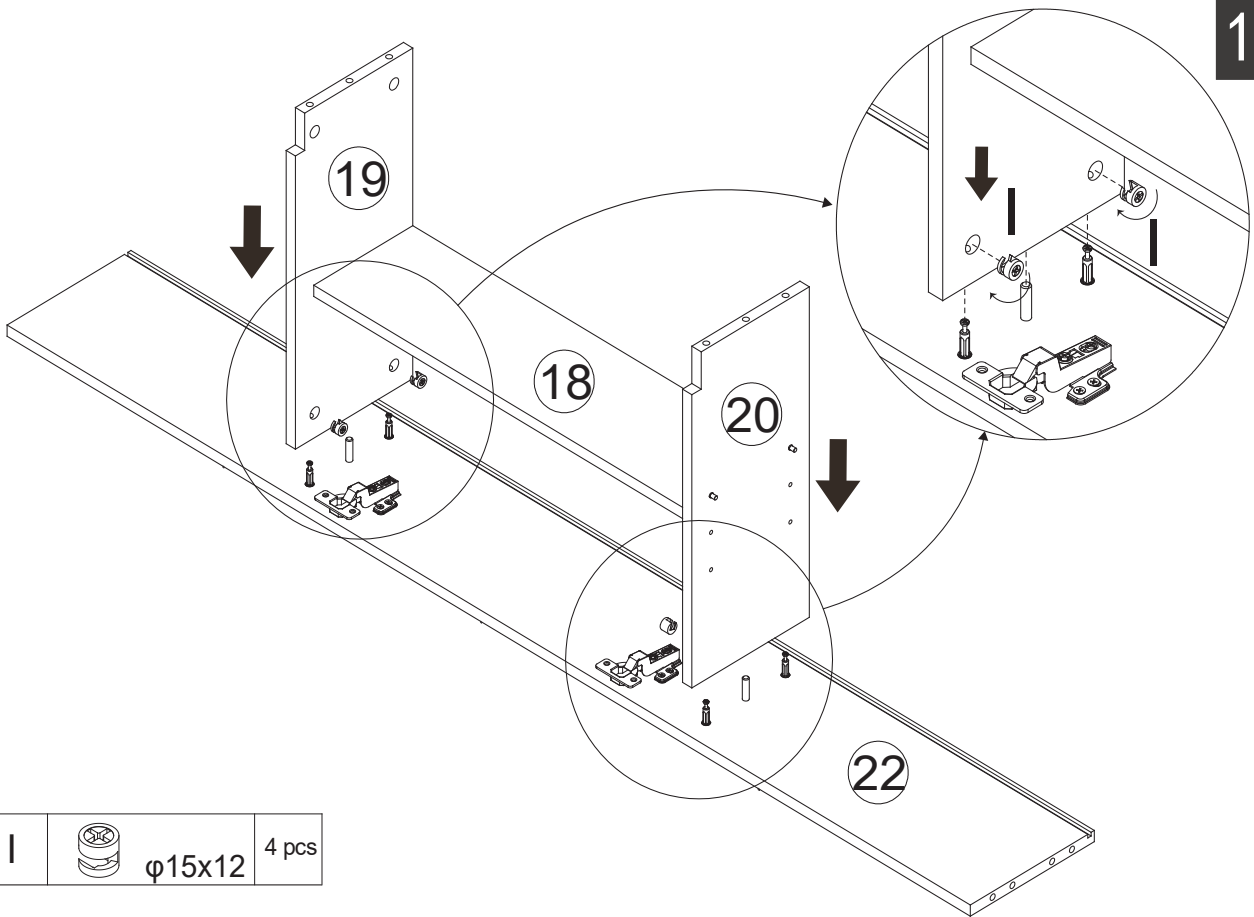
Then push the part to the bottom end of the strip hole

Finally, tighten the screw

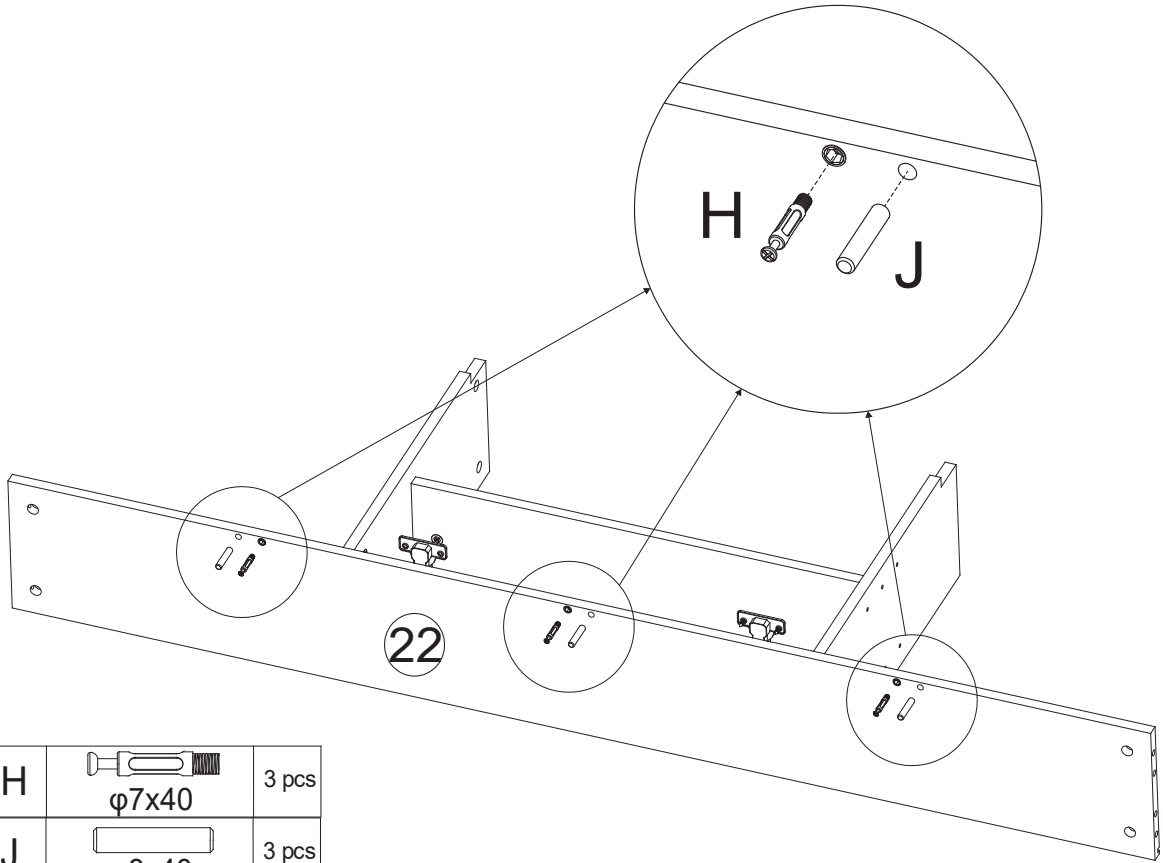


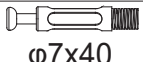
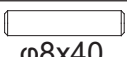
15


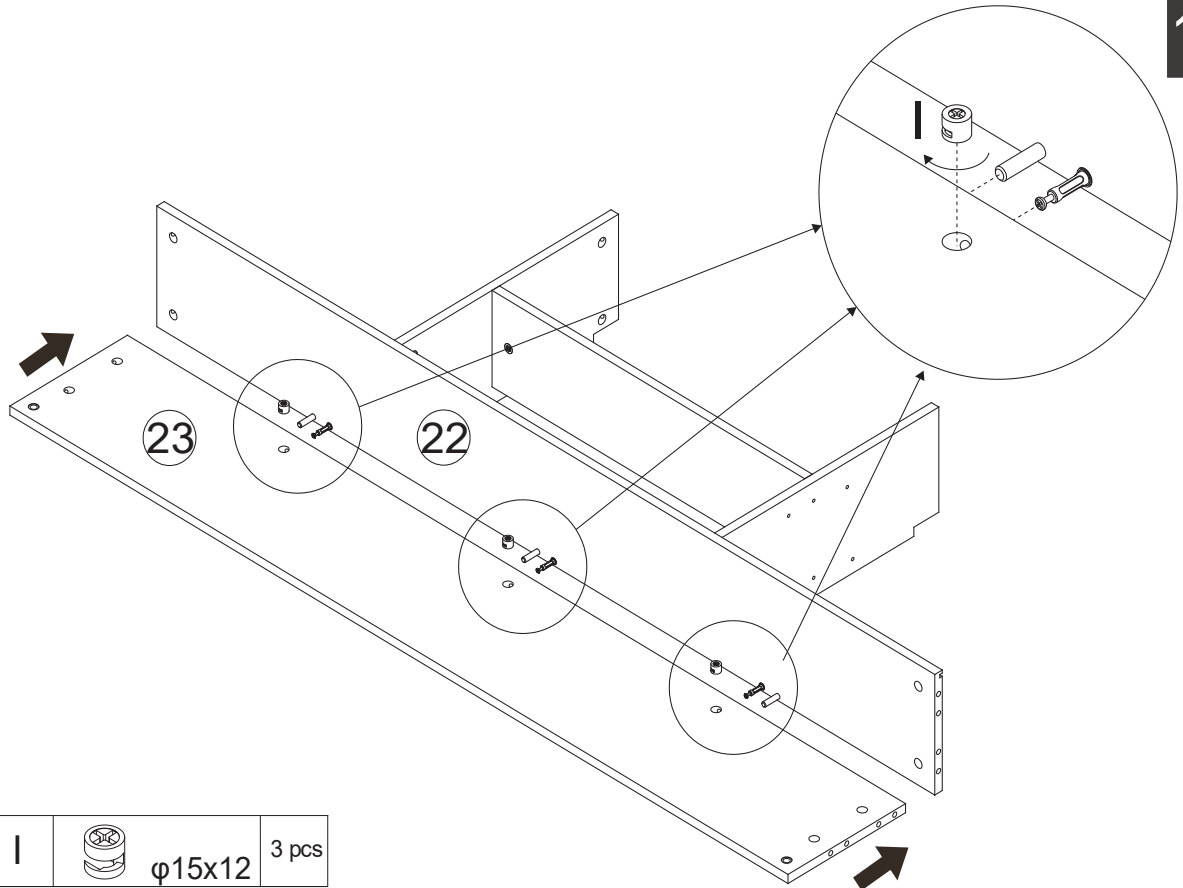
H	 $\phi 7 \times 40$	3 pcs
J	 $\phi 8 \times 40$	3 pcs

16


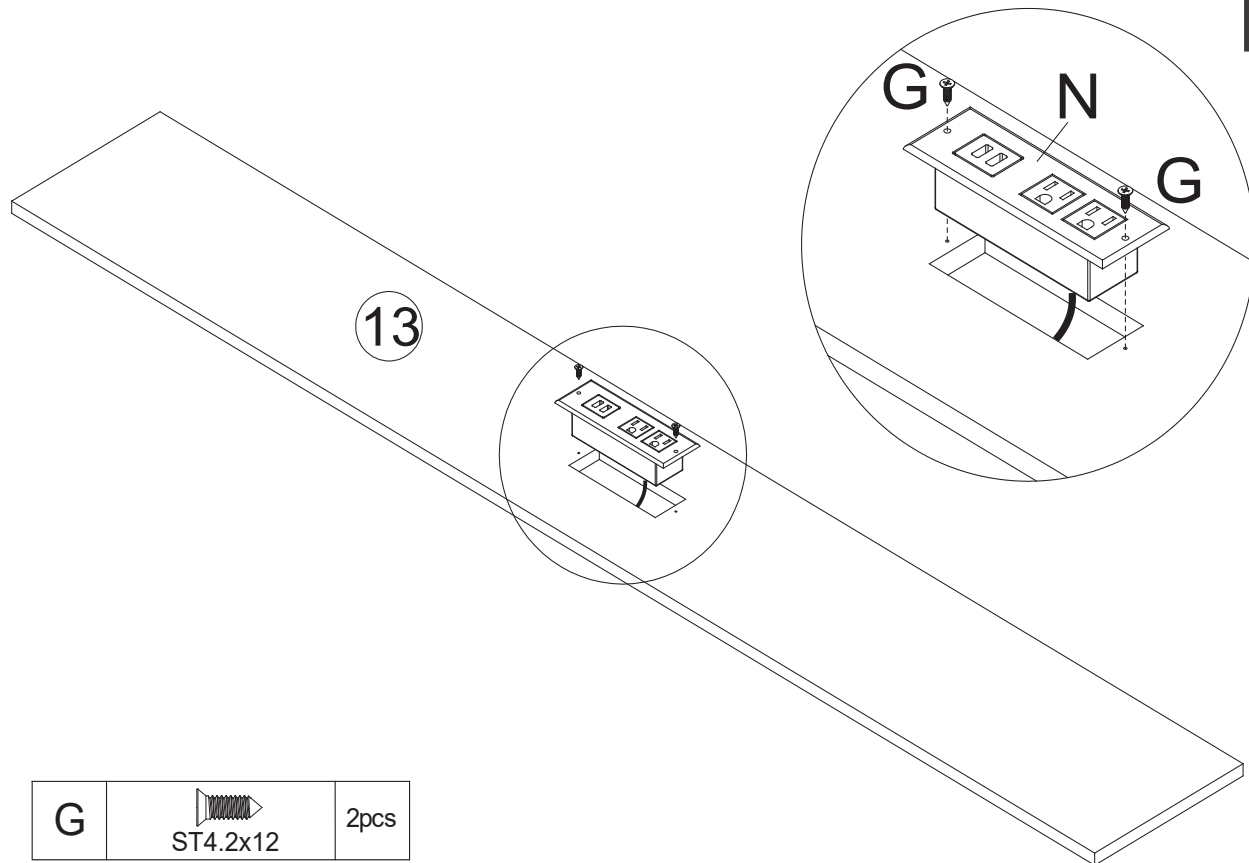
I	 $\phi 15 \times 12$	4 pcs
---	---	-------

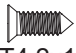
17


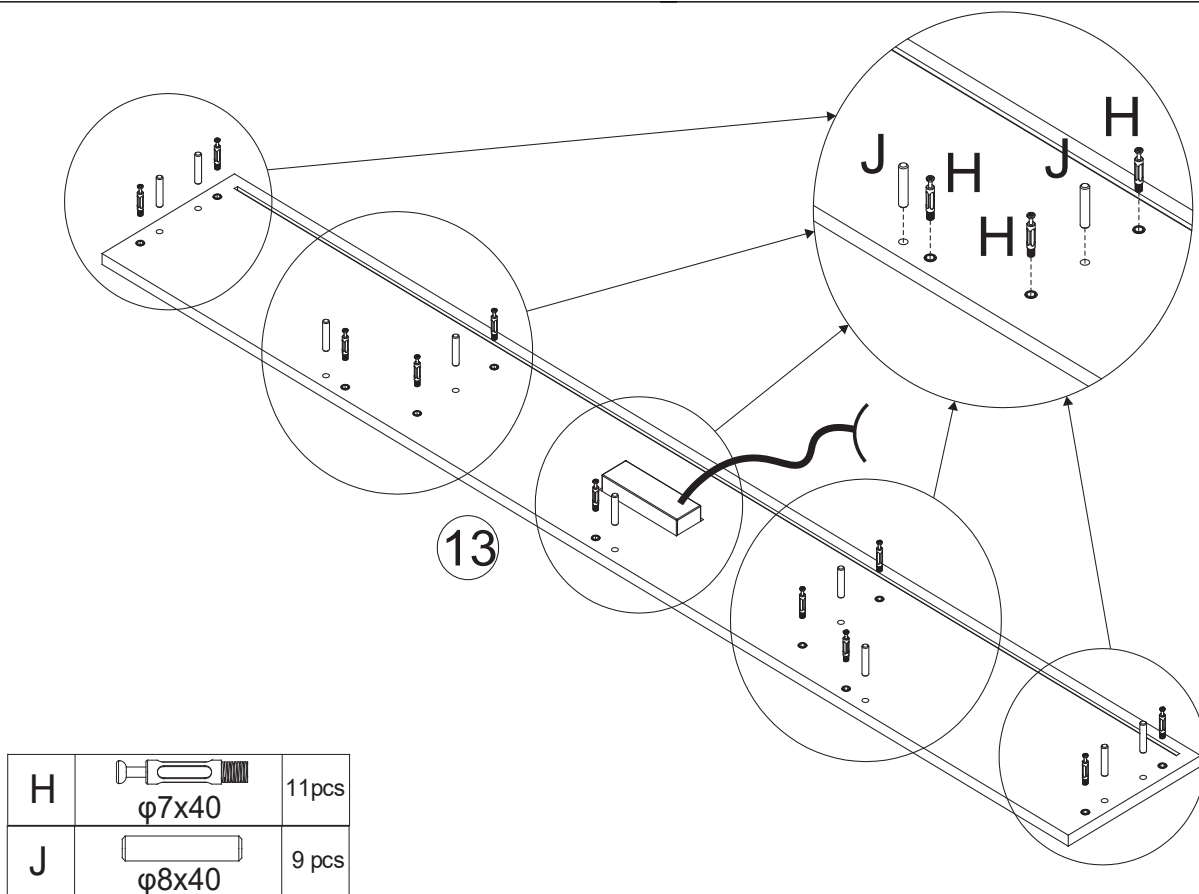
H	 φ7x40	3 pcs
J	 φ8x40	3 pcs


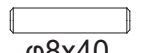
18


I	 φ15x12	3 pcs
---	---	-------

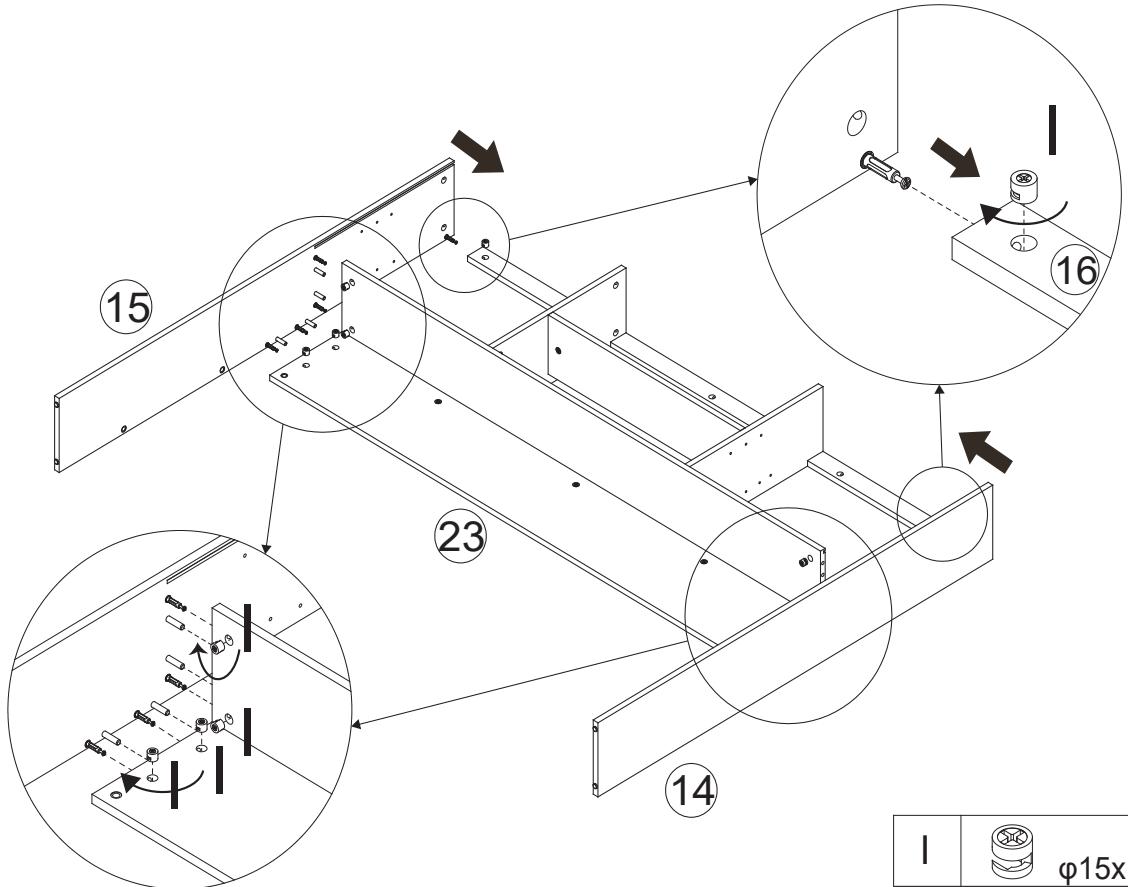
19


G	 ST4.2x12	2 pcs
---	---	-------

20


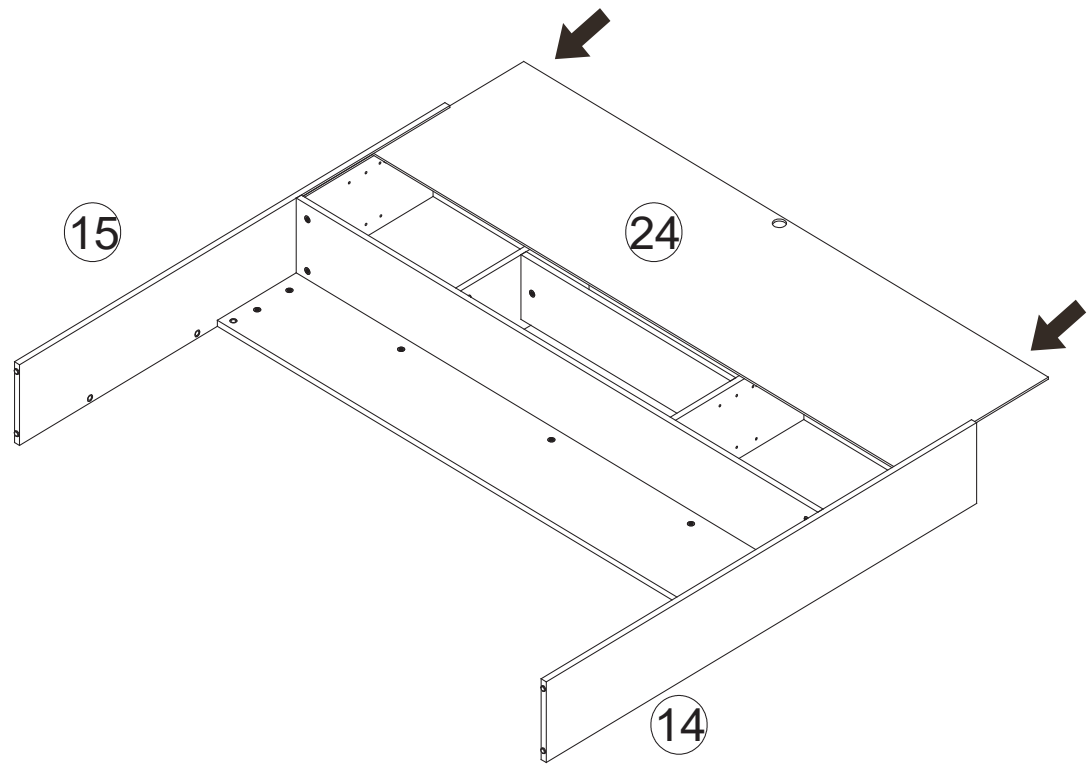
H	 φ7x40	11 pcs
J	 φ8x40	9 pcs

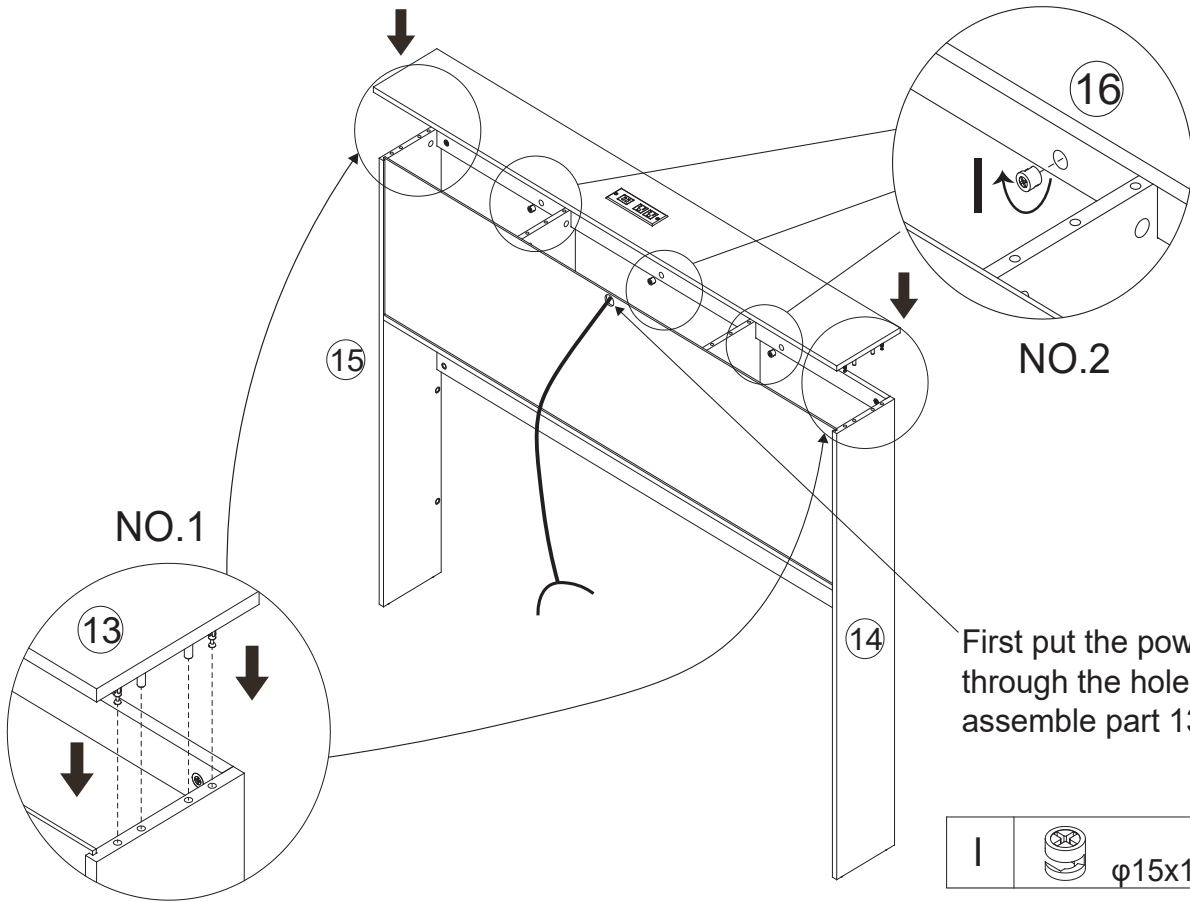
21




I		φ15x12	10pcs
---	---	--------	-------

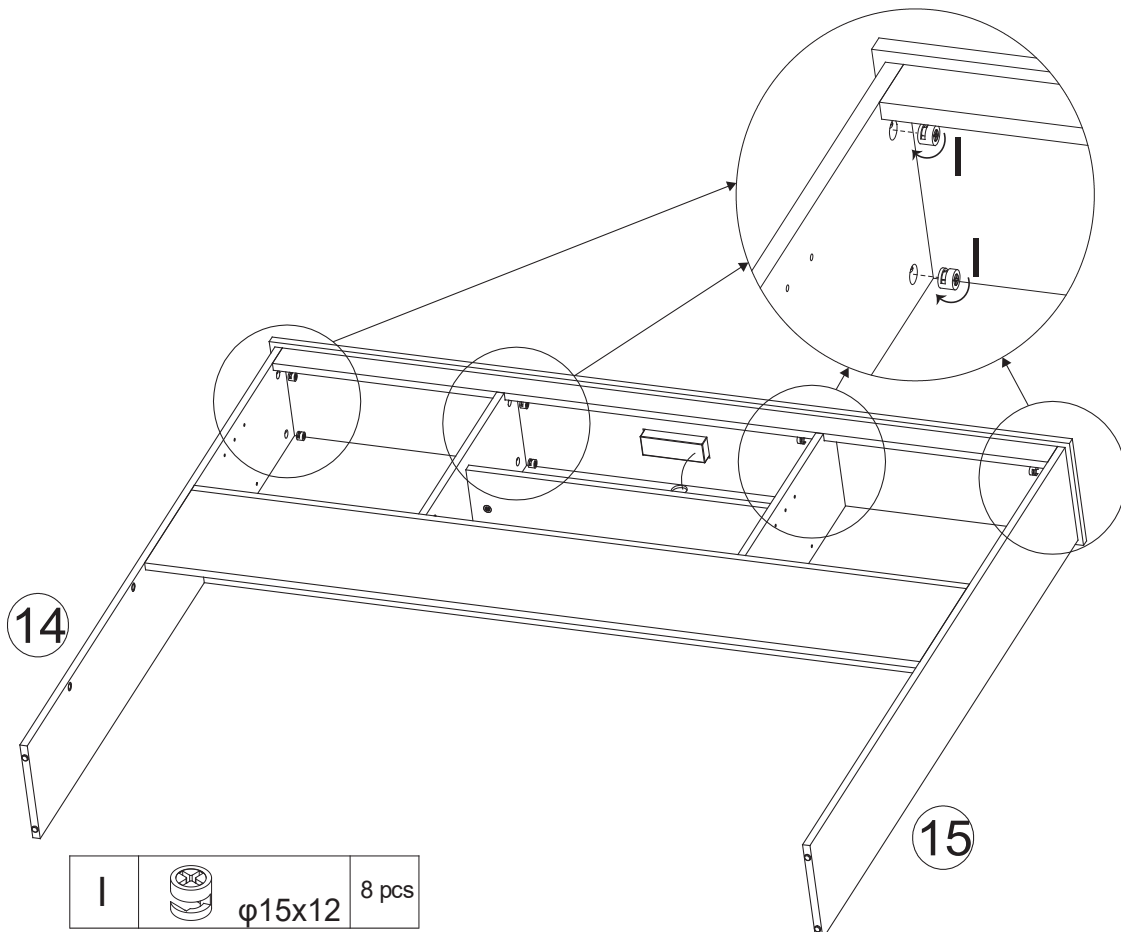
22



23


First put the power cable through the hole and then assemble part 13.

I		φ15x12	3 pcs
---	---	--------	-------

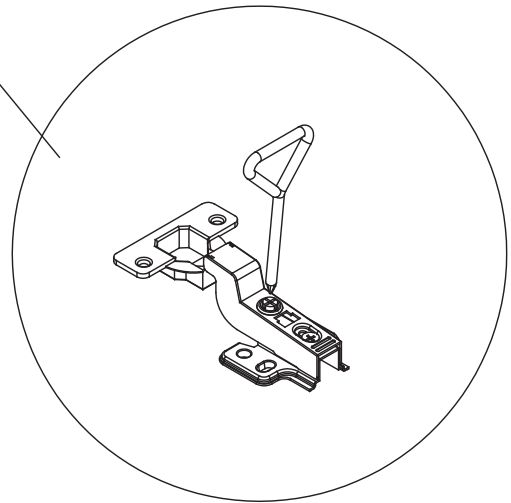
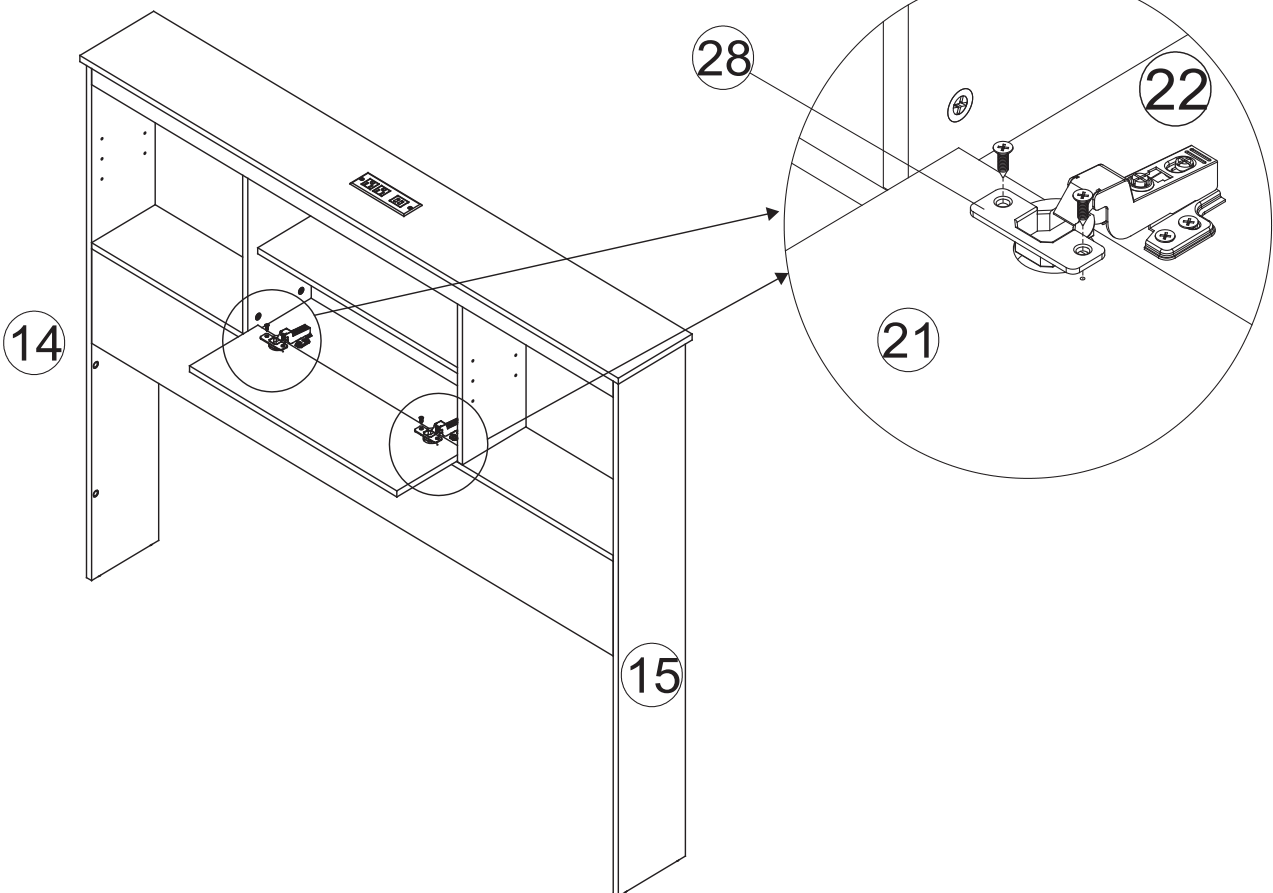
24


I		φ15x12	8 pcs
---	---	--------	-------

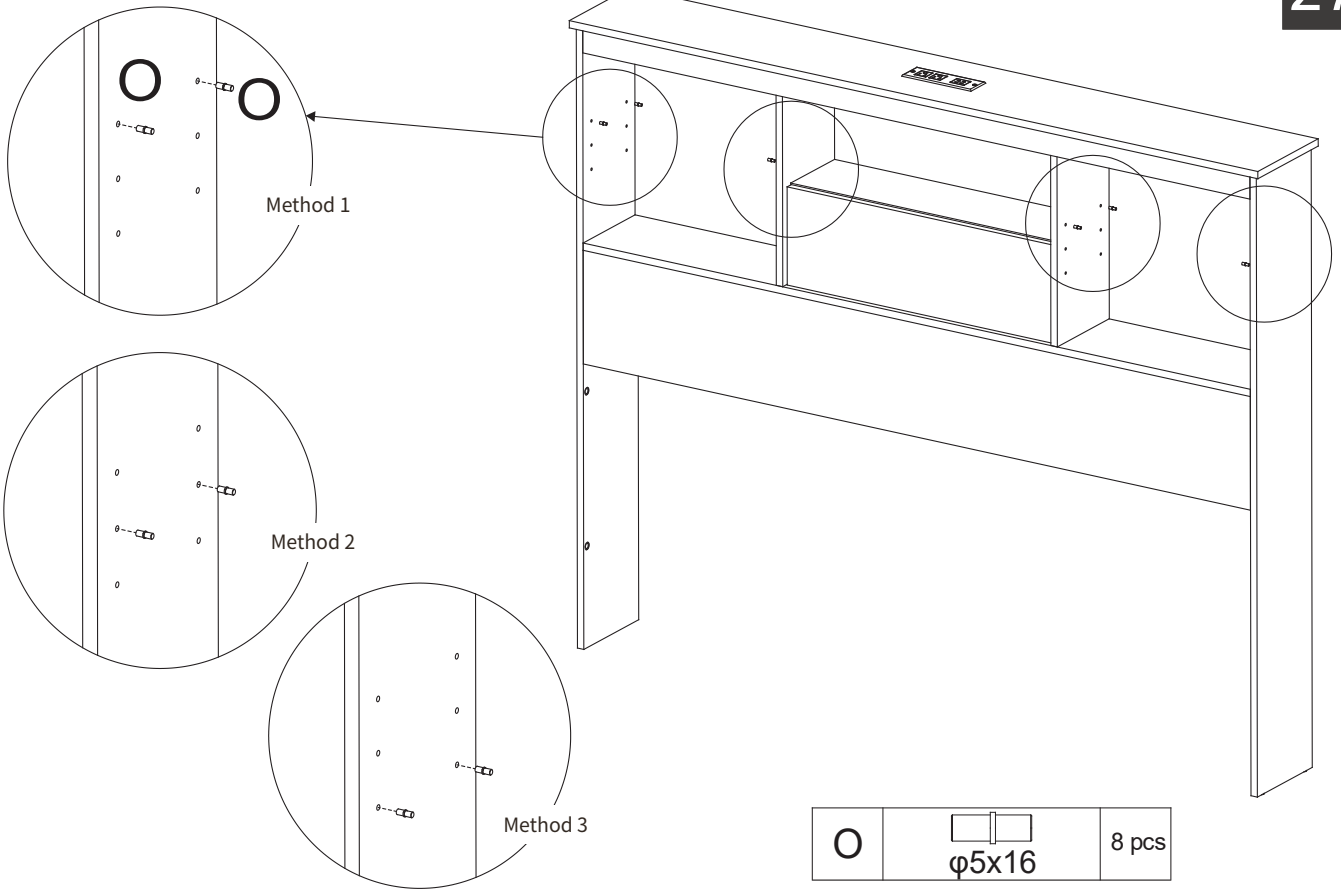
25

Kind reminder in step 26

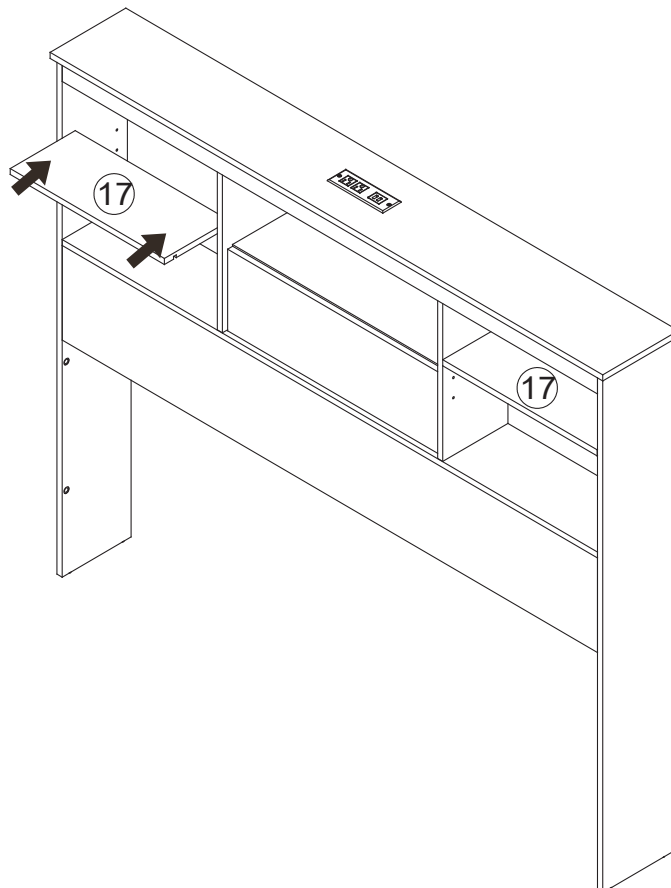
Tighten this screw, to ensure that part 21 can be pushed into the right position smoothly. Adjust the tightness of this screw (tighten or loosen) in case part 21 is not align with the top of part 18.

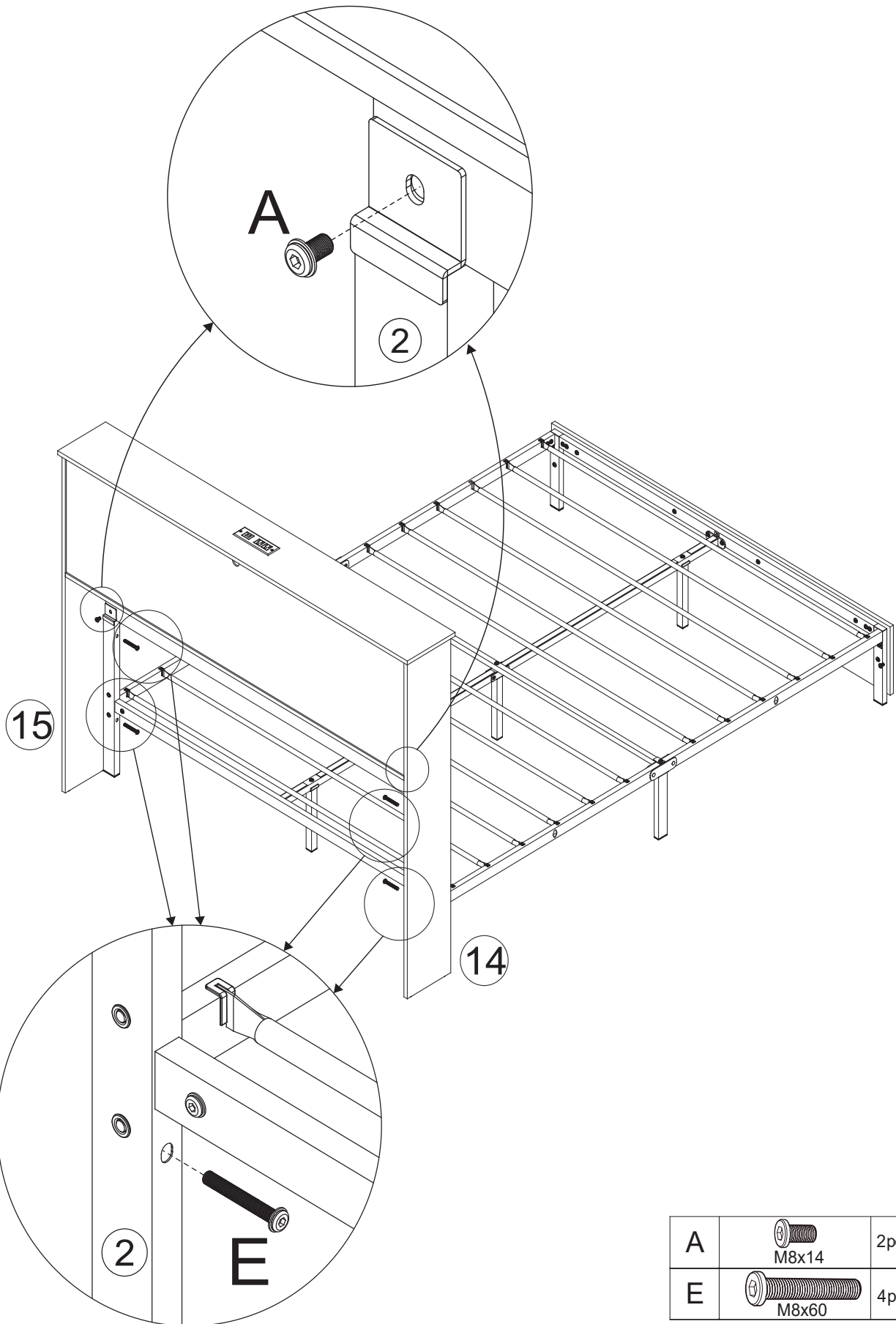
**26**



27



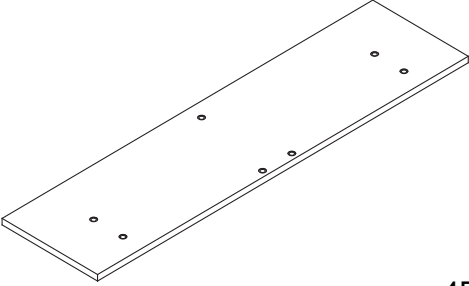
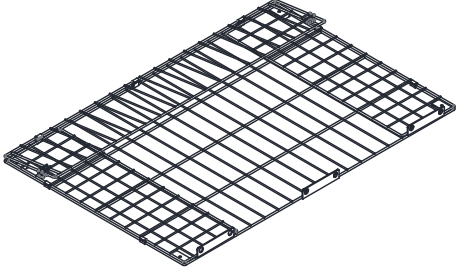
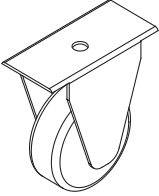

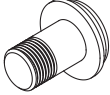

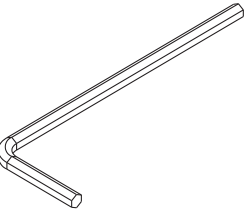
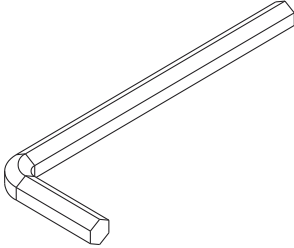
28

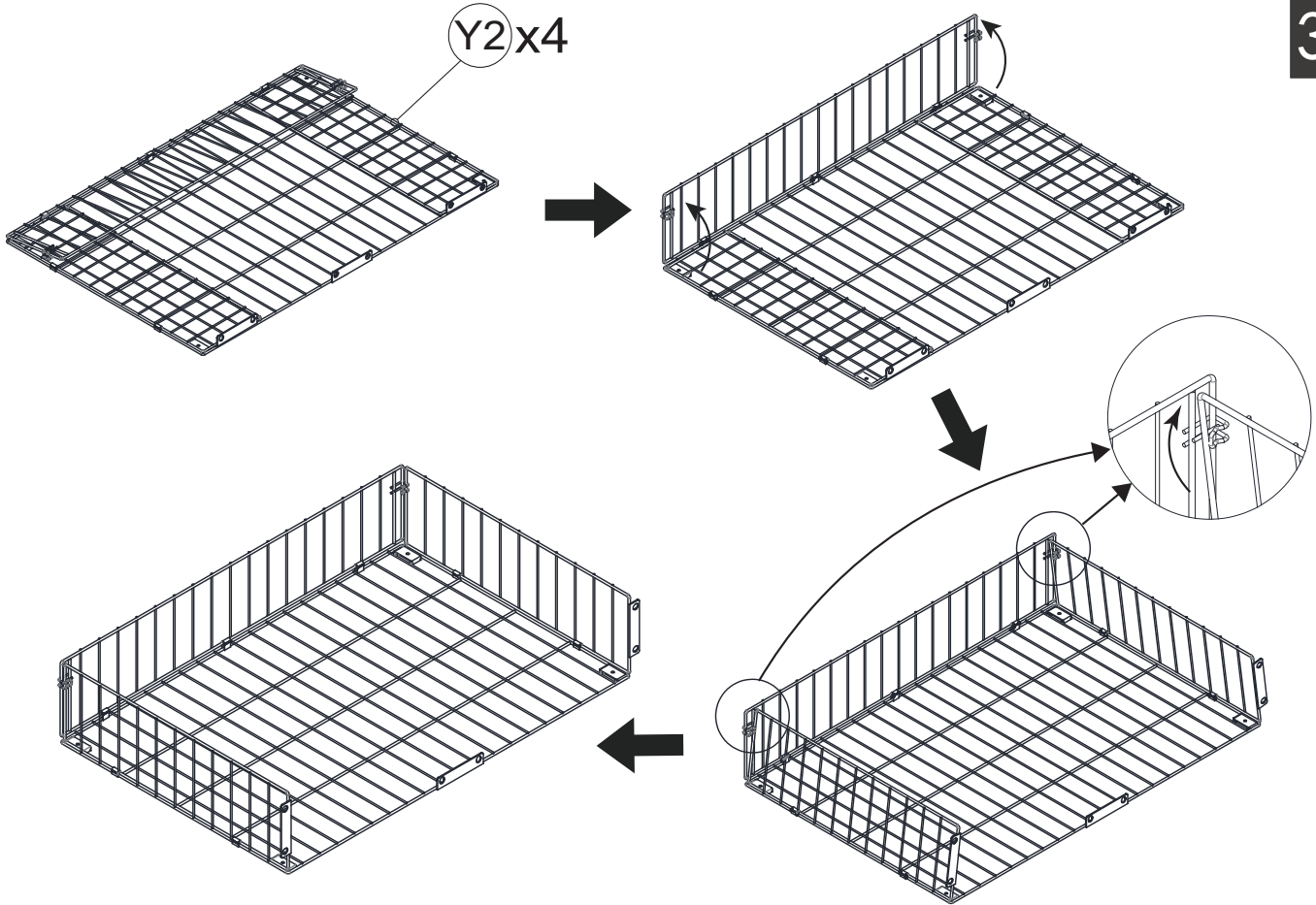
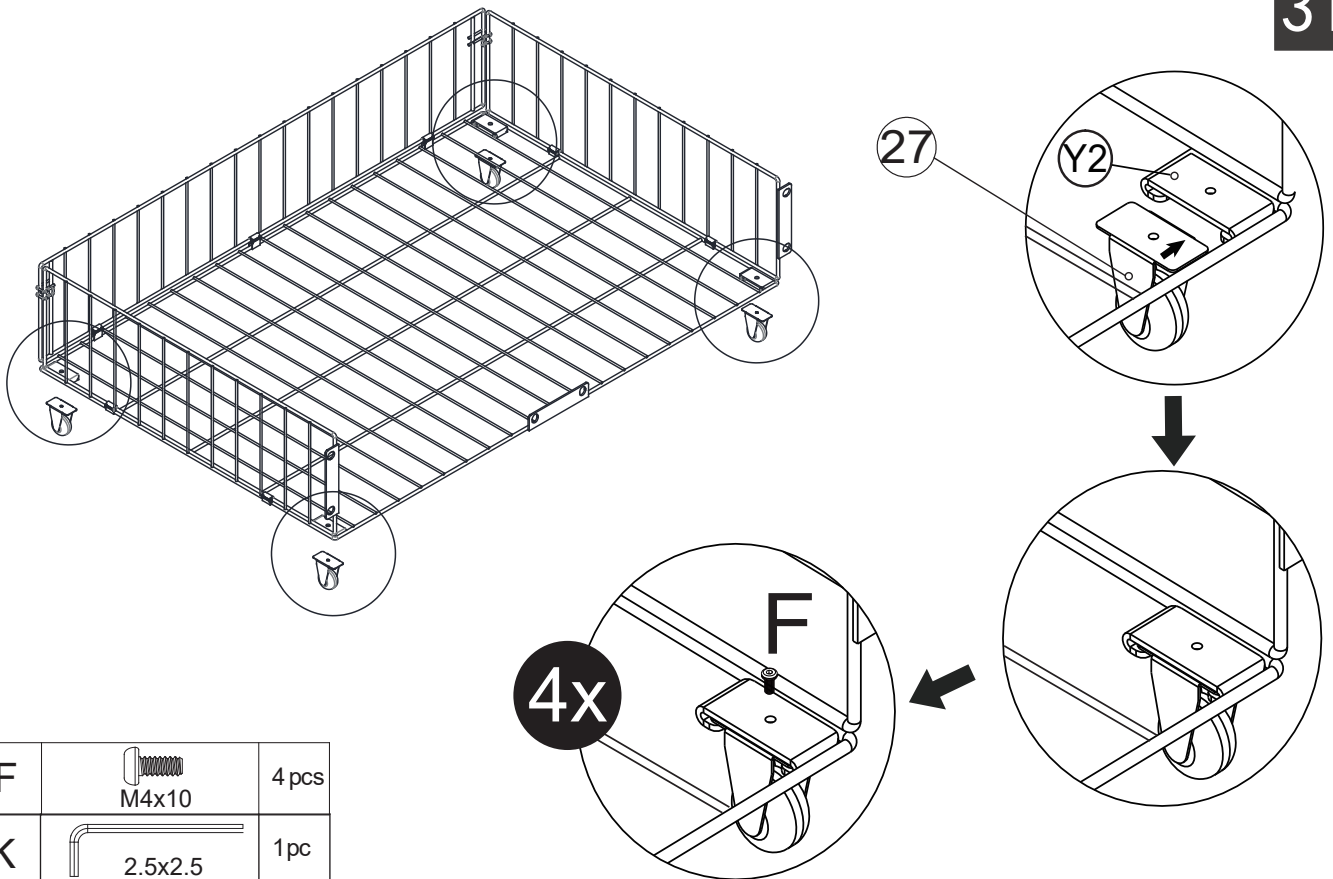



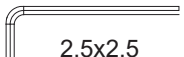


A	 M8x14	2pcs
E	 M8x60	4pcs

Drawer PARTS LIST

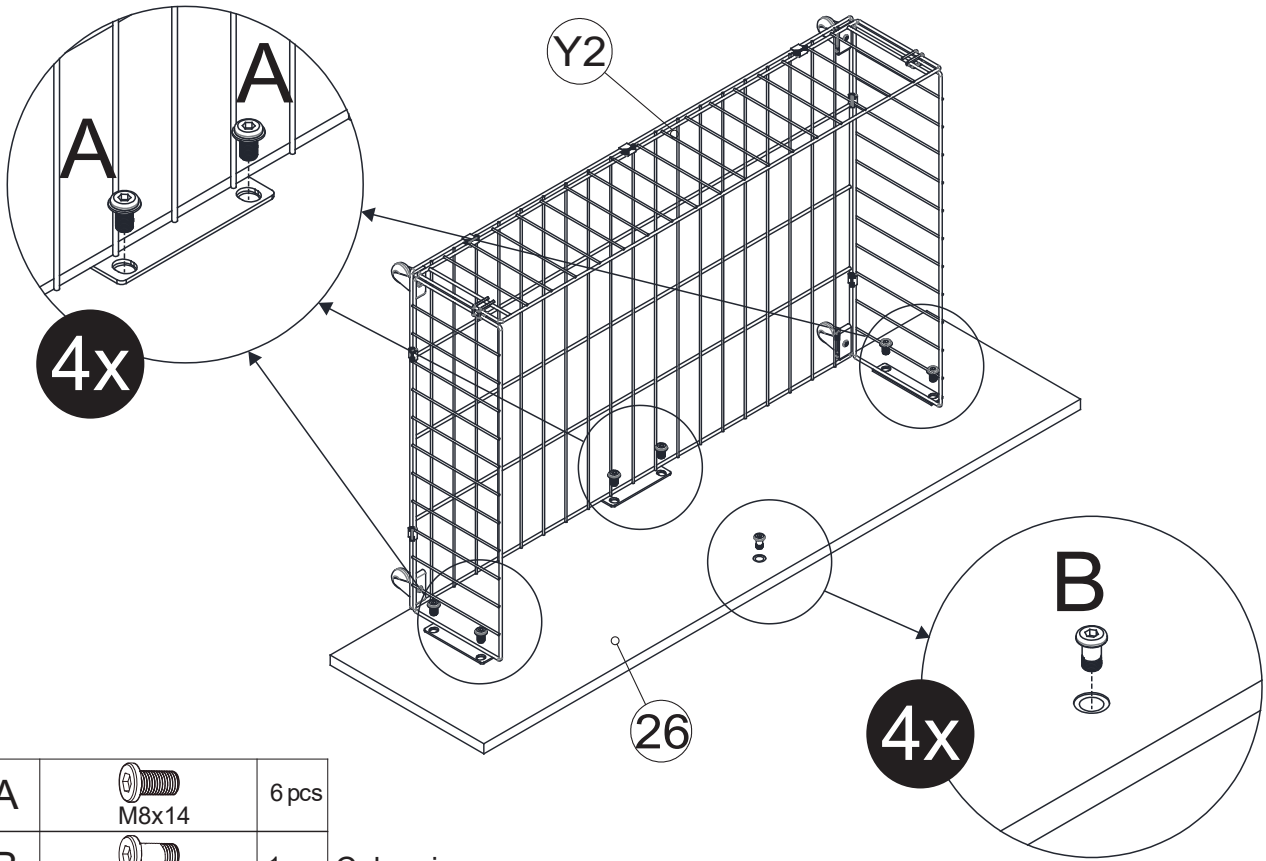
<p>26</p>  <p>4PCS</p>	<p>Y2</p>  <p>4PCS</p>
<p>27</p>  <p>16PCS</p>	<p>A</p>  <p>M8*14</p> <p>24PCS</p>
<p>B</p>  <p>M8*14 (Color Zinc)</p> <p>4PCS</p>	<p>F</p>  <p>M4*10</p> <p>16PCS</p>
<p>K</p>  <p>2.5*2.5</p> <p>1PC</p>	<p>L</p>  <p>5*5</p> <p>1PC</p>



30

31


F	 M4x10	4 pcs
K	 2.5x2.5	1 pc

4x

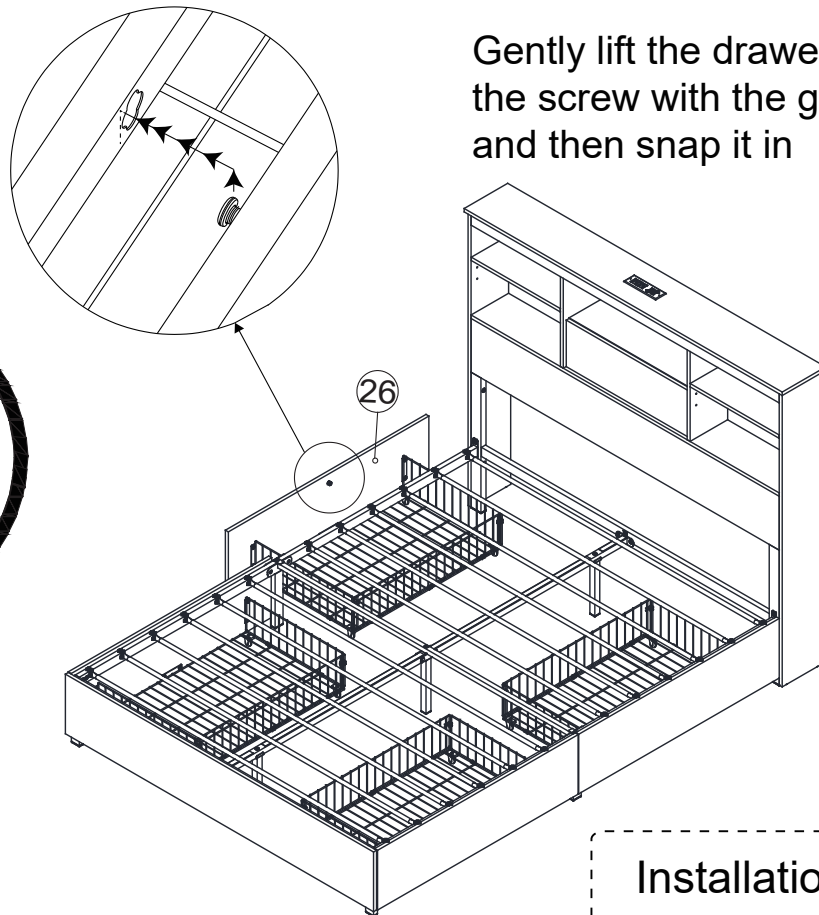
32



A	 M8x14	6 pcs
B	 M8x14	1 pc Color zinc screws

33

Gently lift the drawer, align the screw with the gourd hole, and then snap it in



Installation Complete