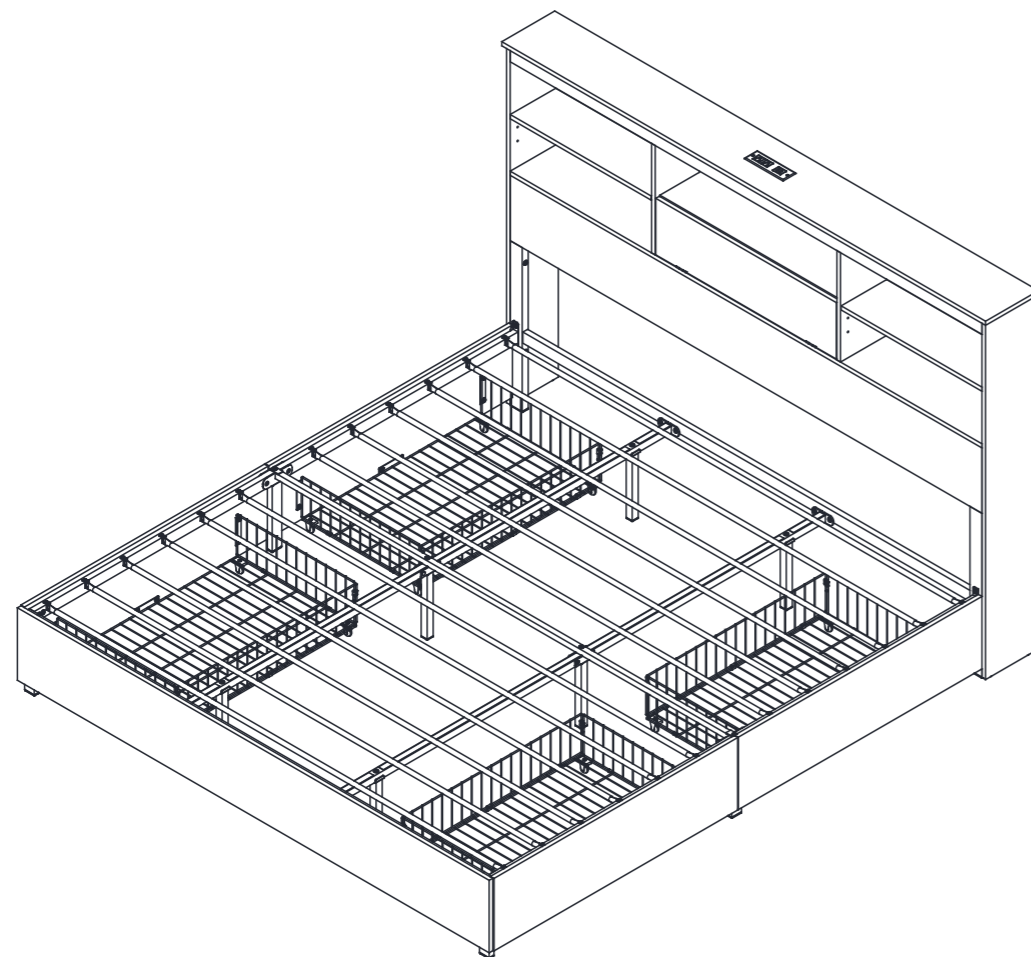


Storage Platform Bed
Assembly Instructions



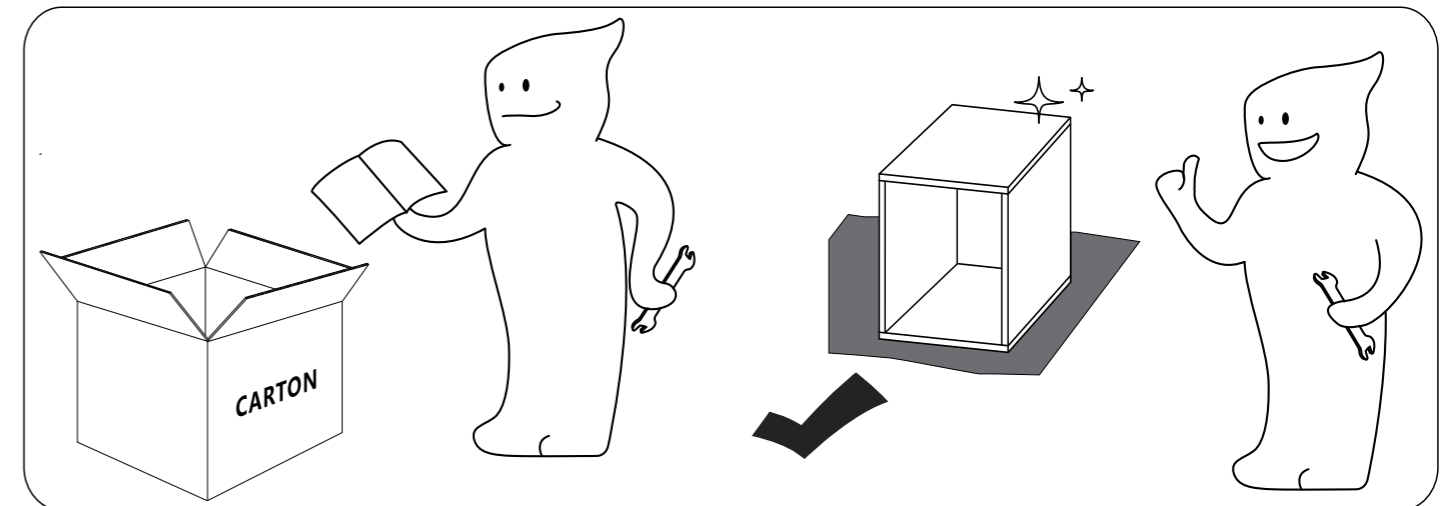
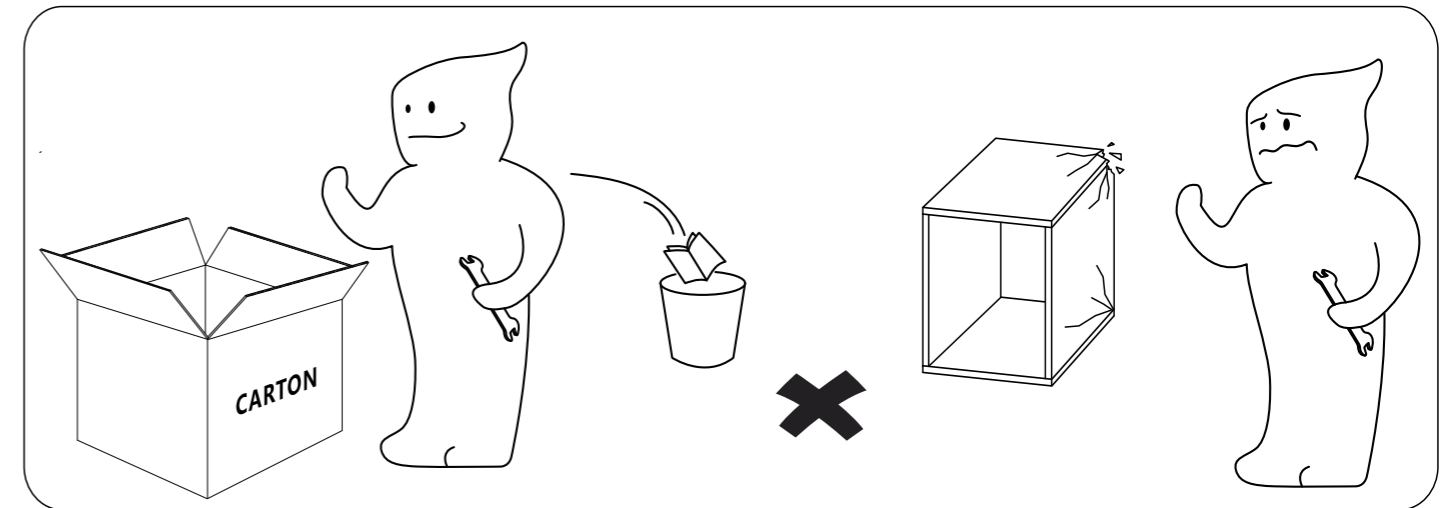
Dear Customers,

Thank you for purchasing our product. Please read this instruction manual carefully after receiving this product. It will help you assemble this product quickly, safely and correctly. You can keep this manual for future reference.

MADE IN CHINA

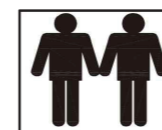


Please follow the instruction manuals and use a pad to protect the product during your assembly.



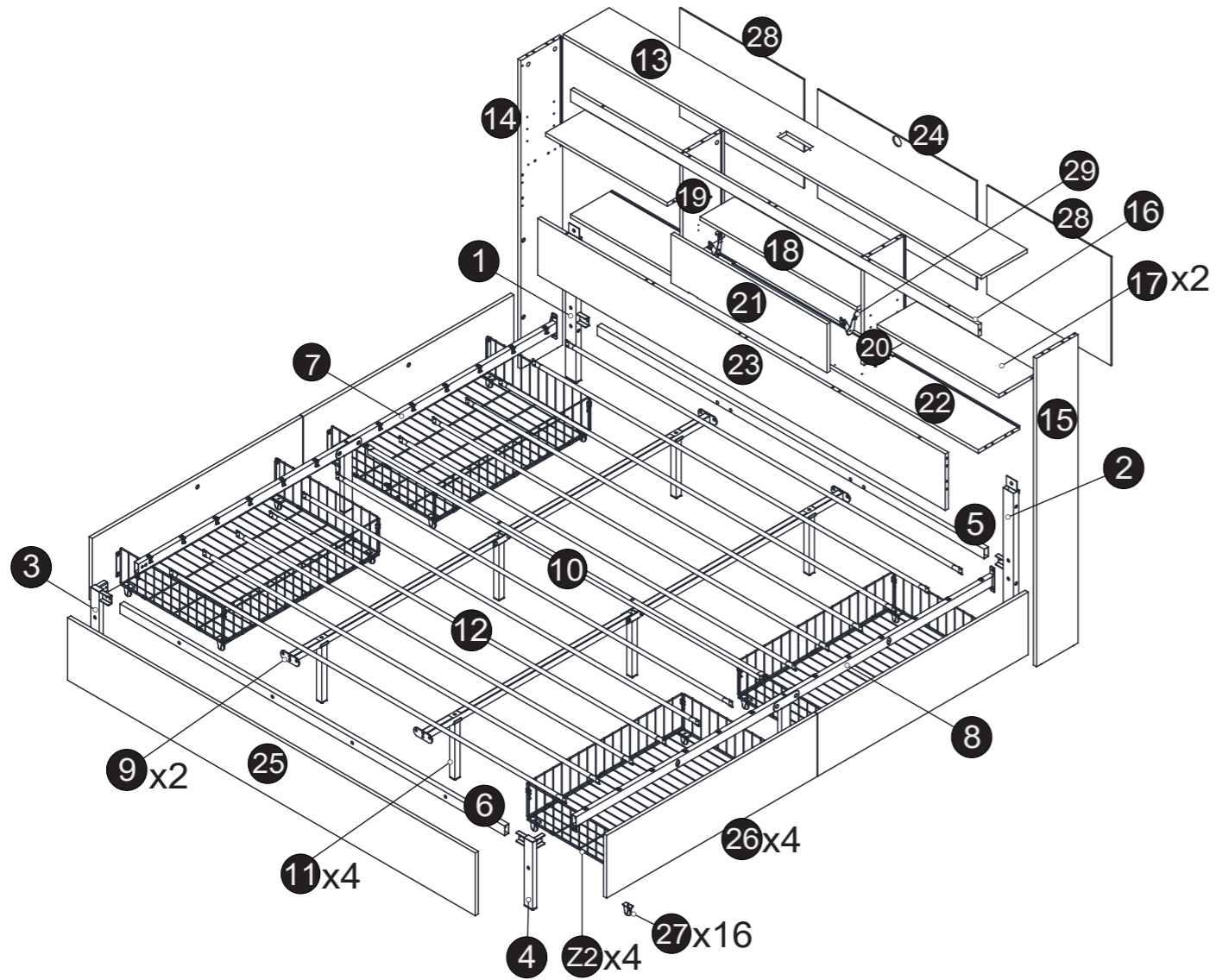
Note:

- 1. Should be assembled on flat ground to keep balance.**
- 2. Before completing the installation, do not tighten the screws.**



For easier and better assembly, **2** or more adults are required.

ASSEMBLY INSTRUCTIONS



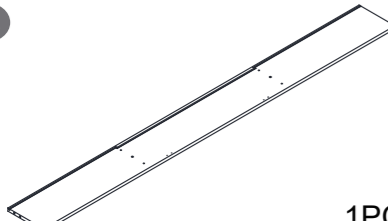
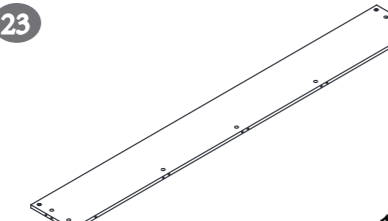
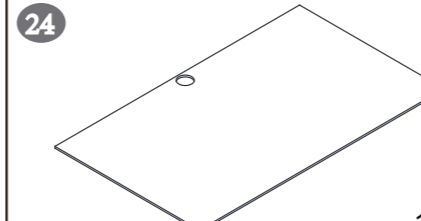
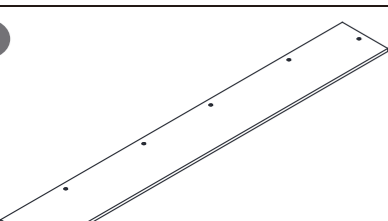
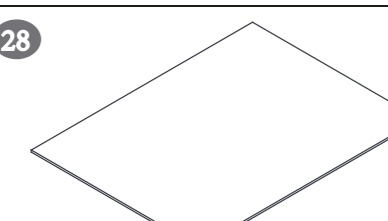
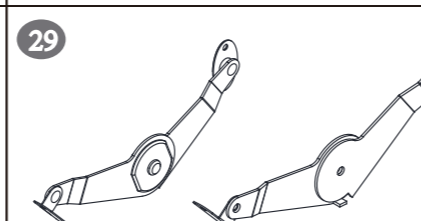
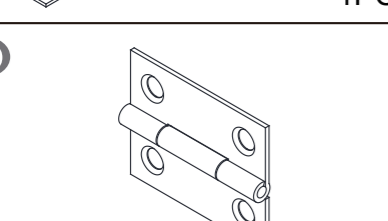
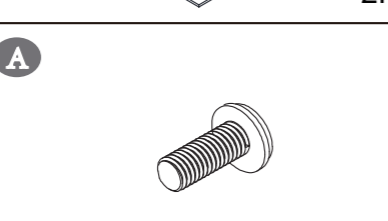
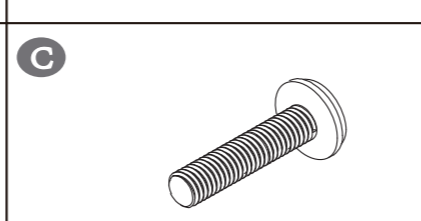
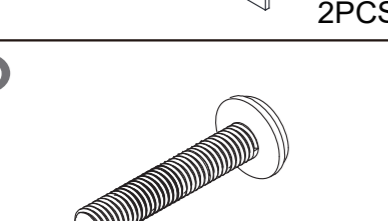
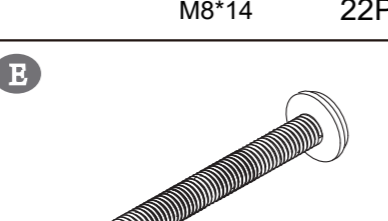
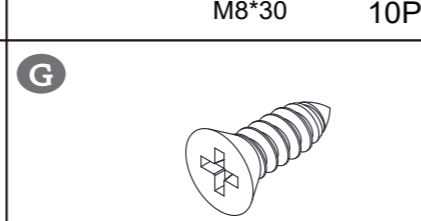
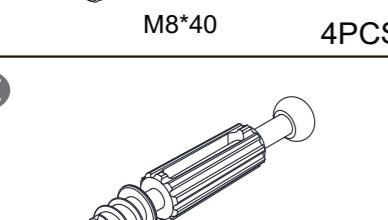
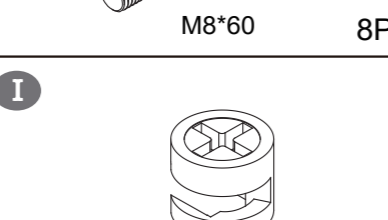
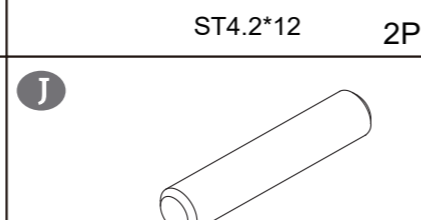
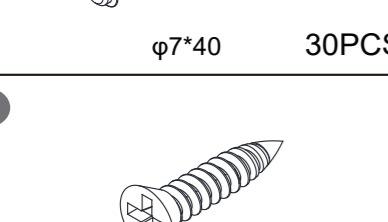
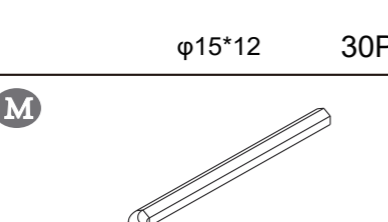
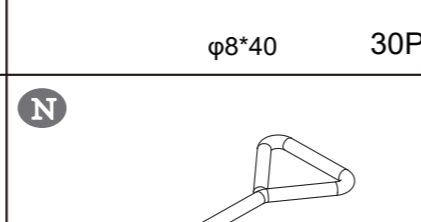
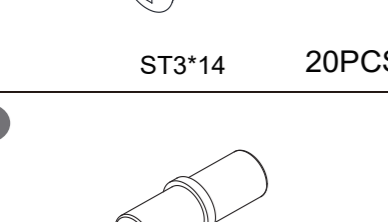
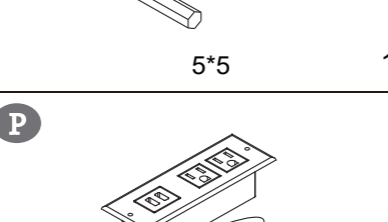
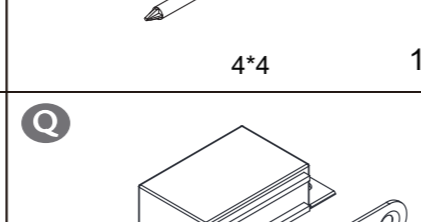
ASSEMBLY INSTRUCTIONS

PARTS LIST(Drawer not included)

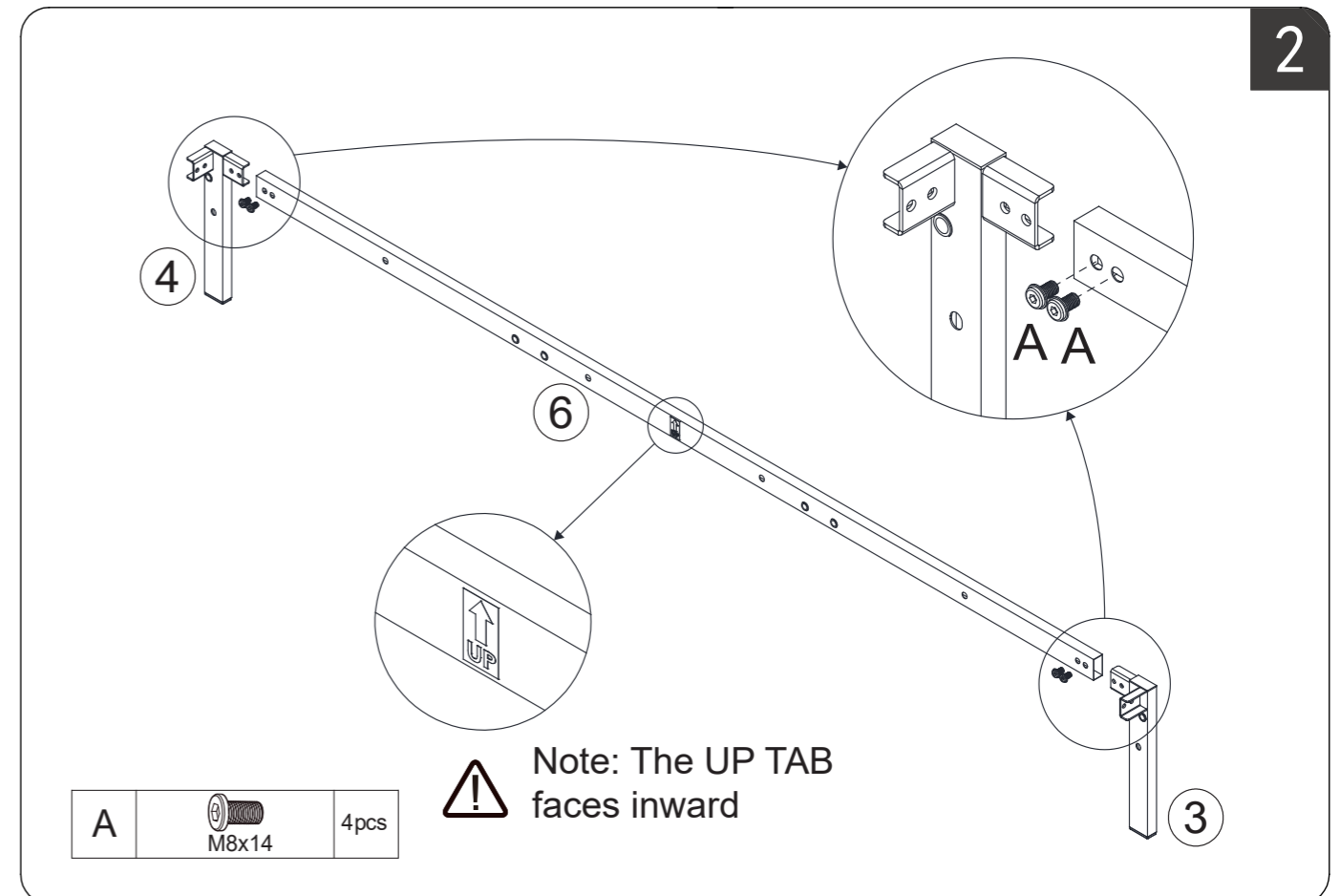
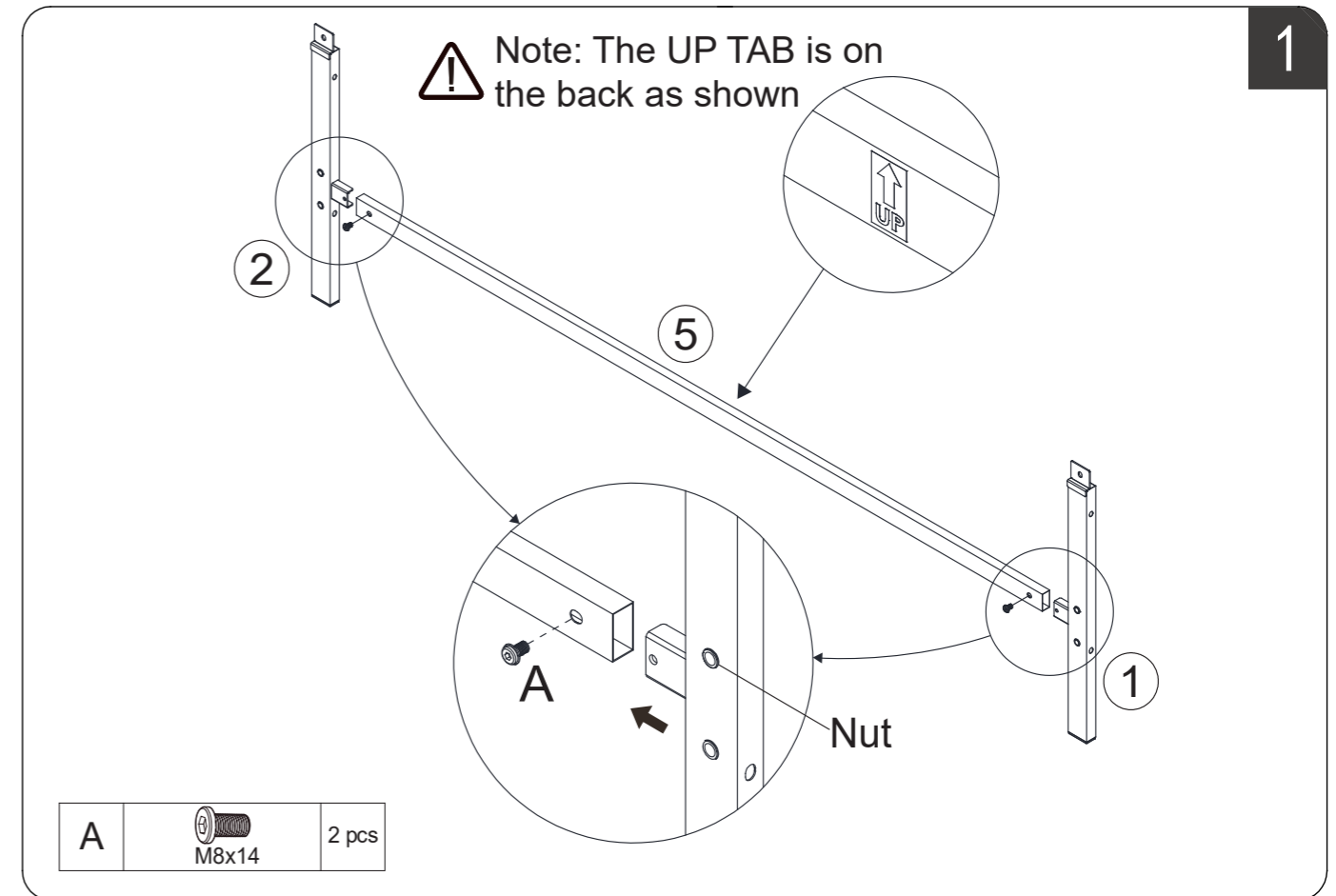
<p>1 Nut 1PC</p>	<p>2 Nut 1PC</p>	<p>3 Nut 1PC</p>
<p>4 Nut 1PC</p>	<p>5 1PC</p>	<p>6 1PC</p>
<p>7 1PC</p>	<p>8 1PC</p>	<p>9 2PCS</p>
<p>10 1PC</p>	<p>11 4PCS</p>	<p>12 12PCS</p>
<p>13 1PC</p>	<p>14 1PC</p>	<p>15 1PC</p>
<p>16 1PC</p>	<p>17 2PCS</p>	<p>18 1PC</p>
<p>19 1PC</p>	<p>20 1PC</p>	<p>21 1PC</p>

ASSEMBLY INSTRUCTIONS

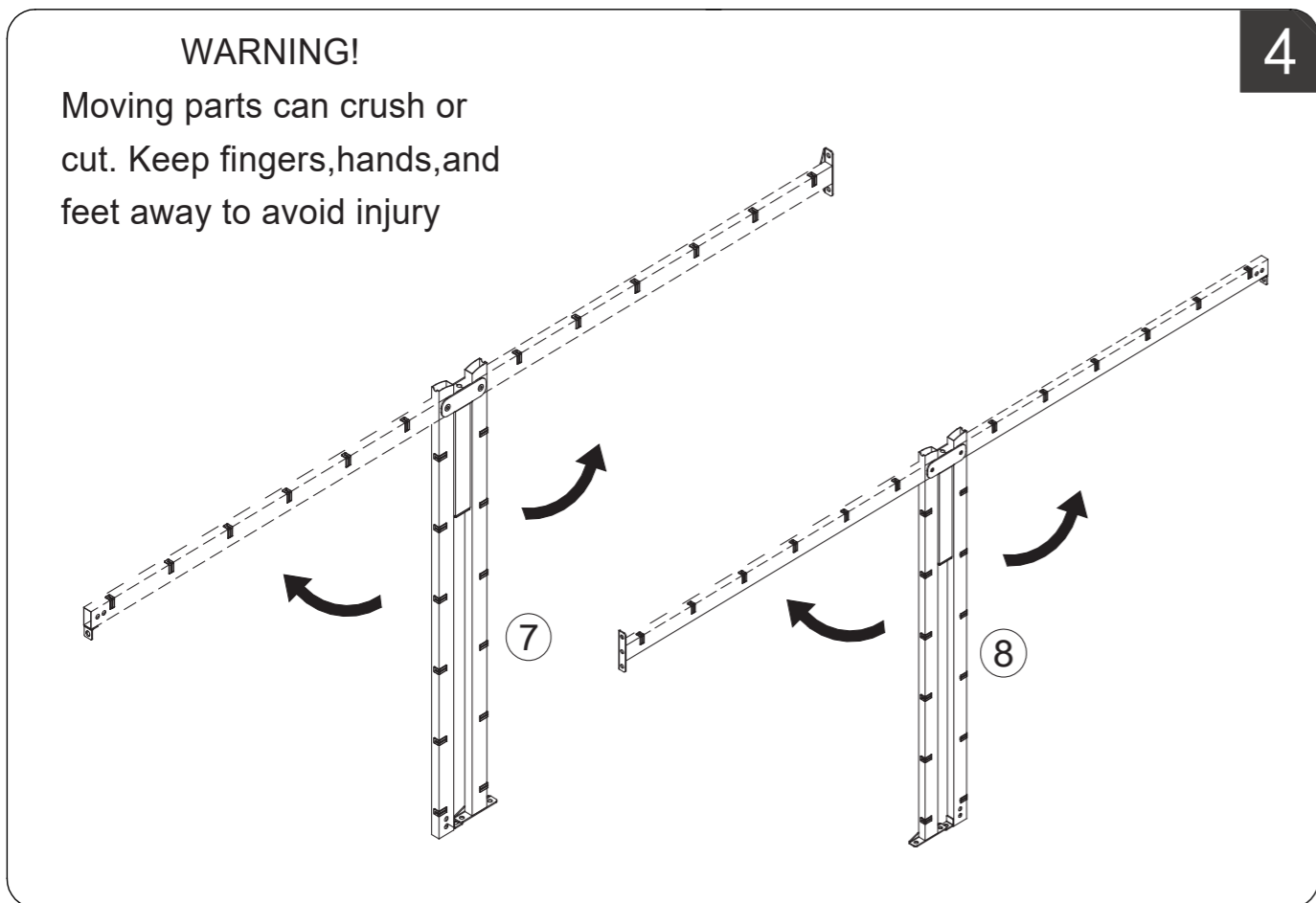
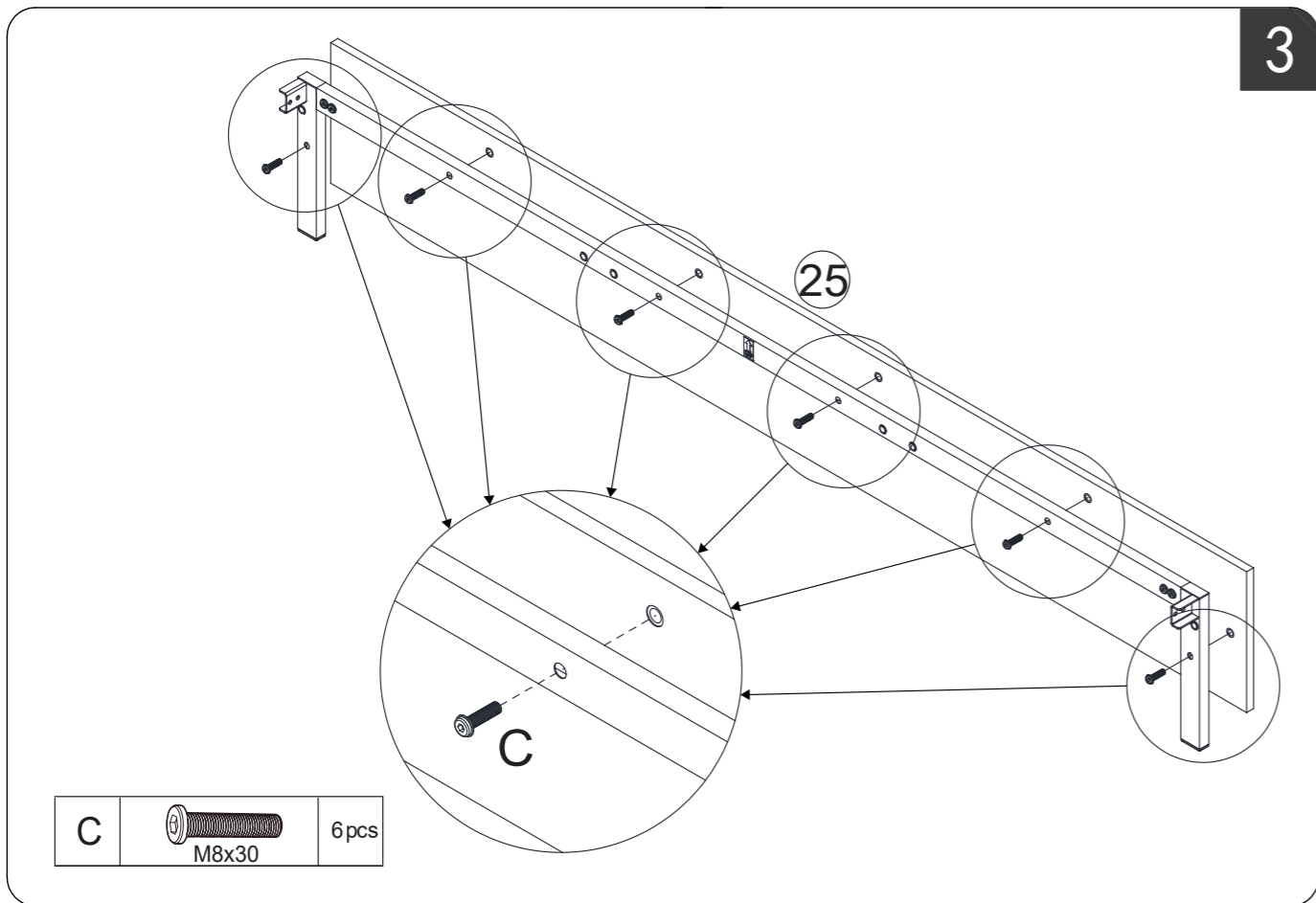
PARTS LIST(Drawer not included)

22  1PC	23  1PC	24  1PC
25  1PC	28  2PCS	29  1PC
30  2PCS	A  M8*14 22PCS	C  M8*30 10PCS
D  M8*40 4PCS	E  M8*60 8PCS	G  ST4.2*12 2PCS
H  φ7*40 30PCS	I  φ15*12 30PCS	J  φ8*40 30PCS
K  ST3*14 20PCS	M  5*5 1PC	N  4*4 1PC
O  φ5*16 8PCS	P  1PC	Q  1PC

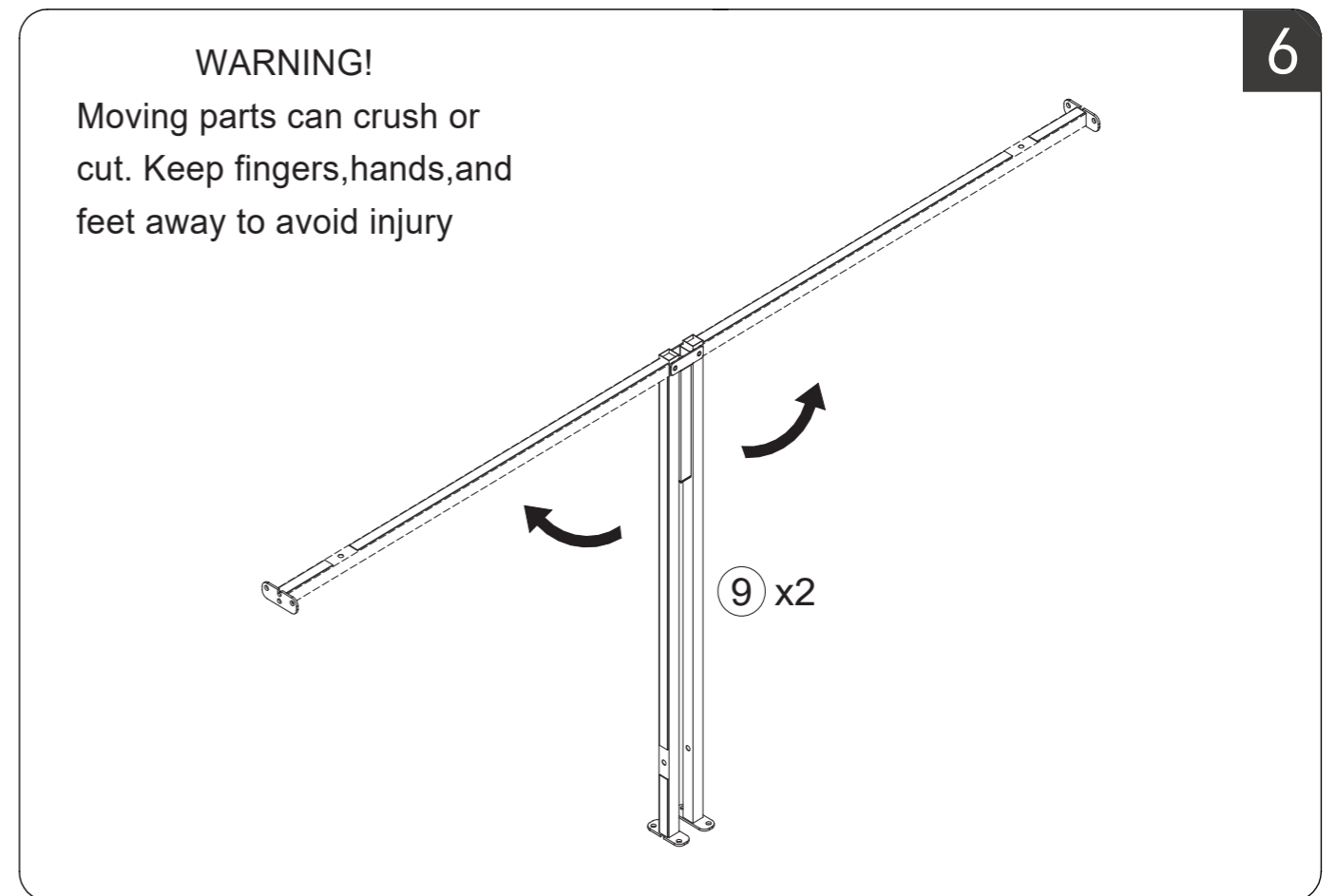
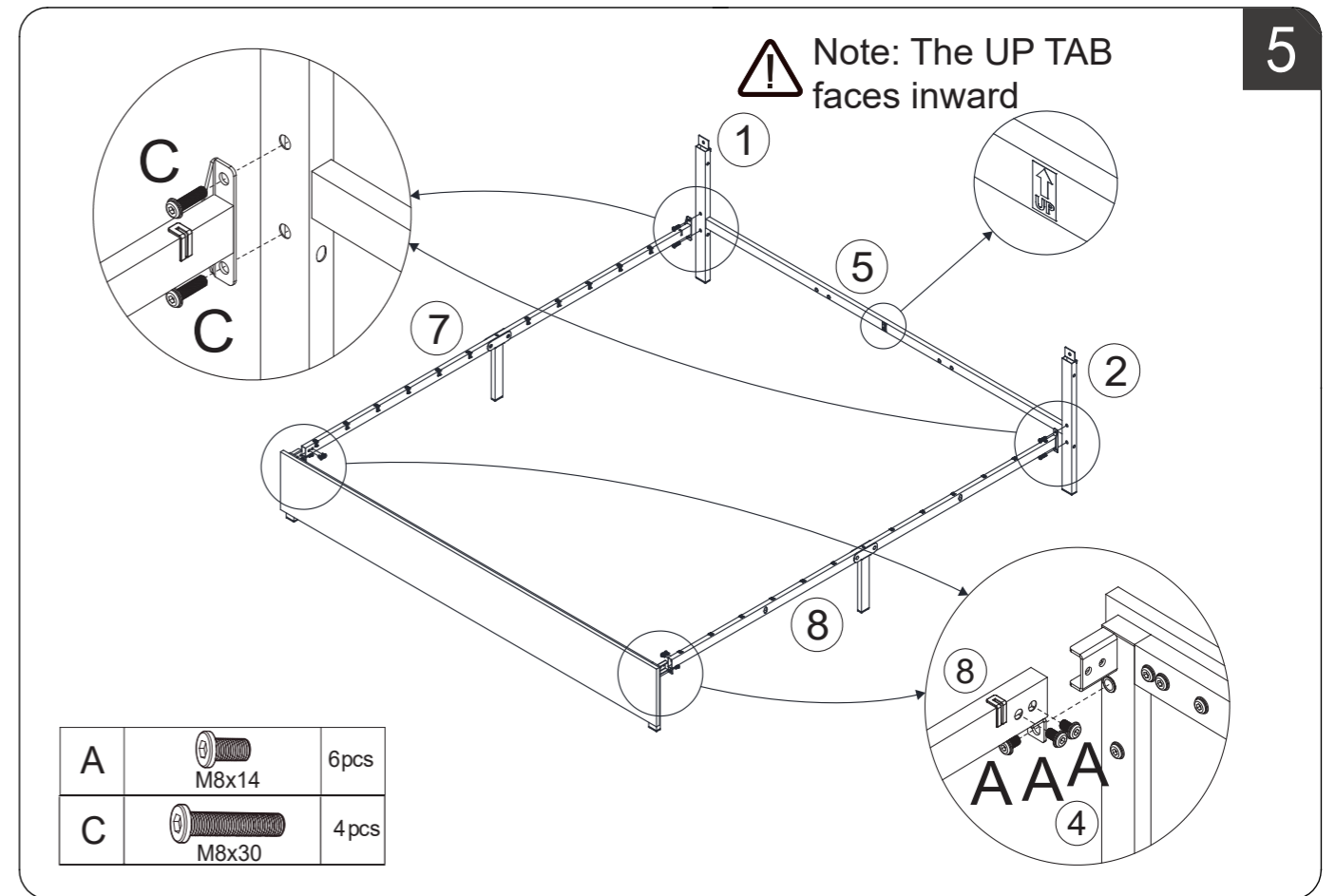
ASSEMBLY INSTRUCTIONS



ASSEMBLY INSTRUCTIONS

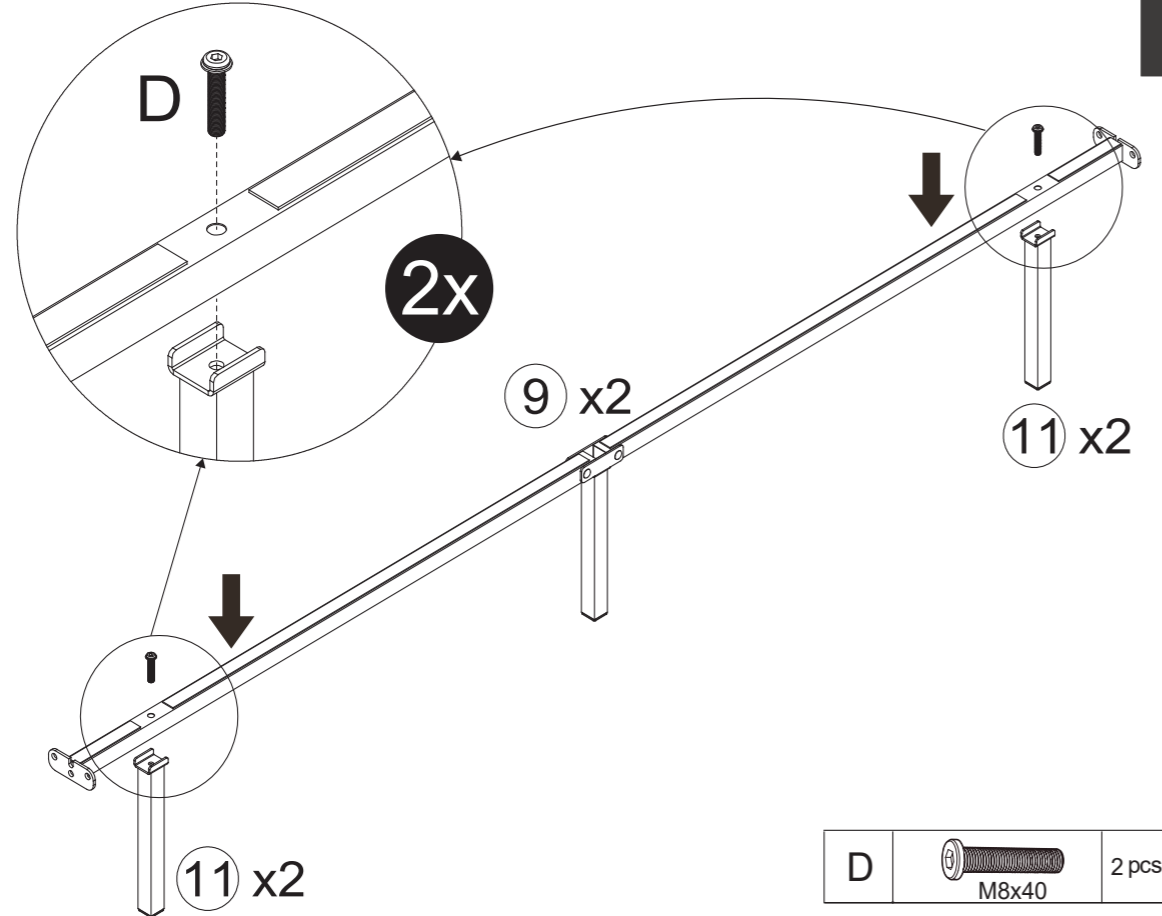


ASSEMBLY INSTRUCTIONS



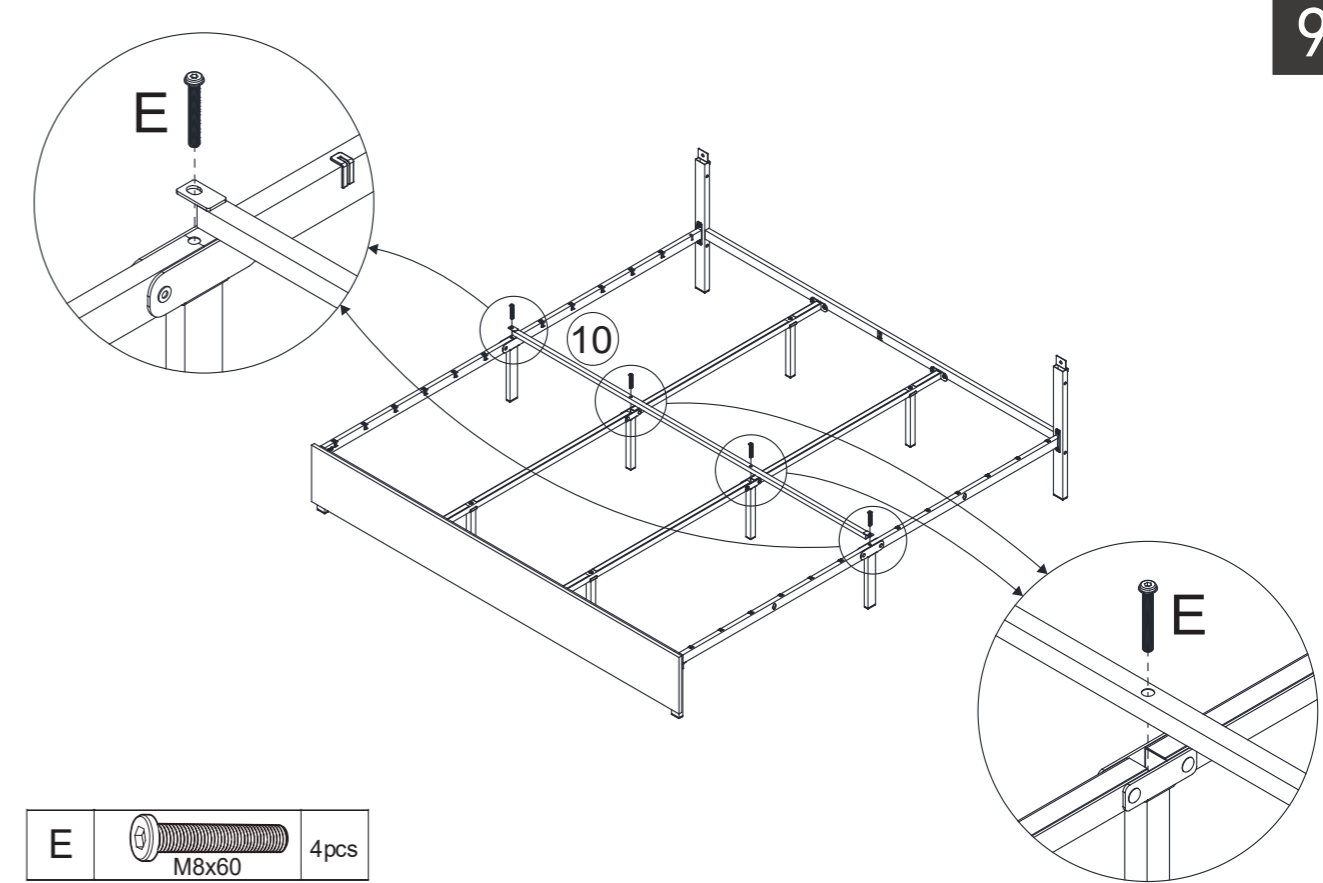
ASSEMBLY INSTRUCTIONS

7

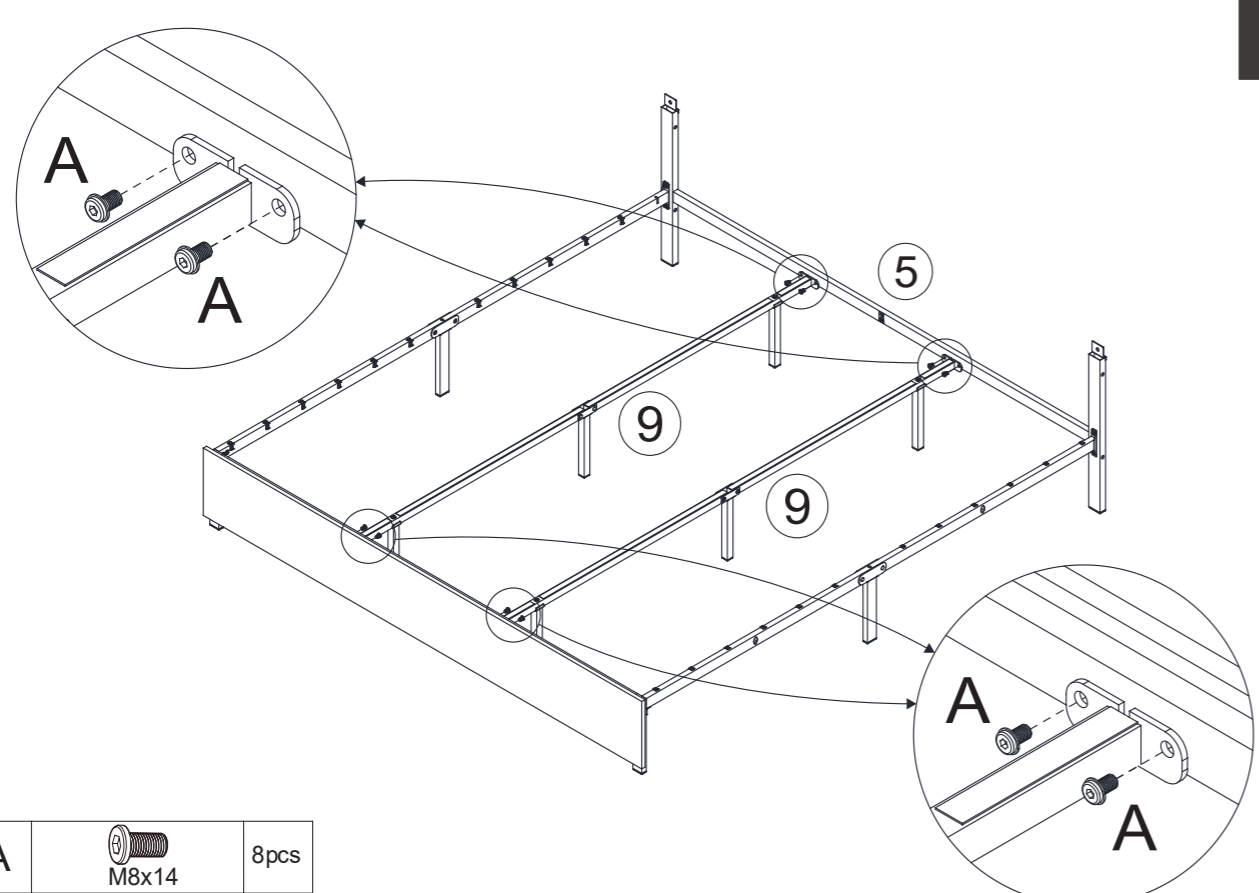


ASSEMBLY INSTRUCTIONS

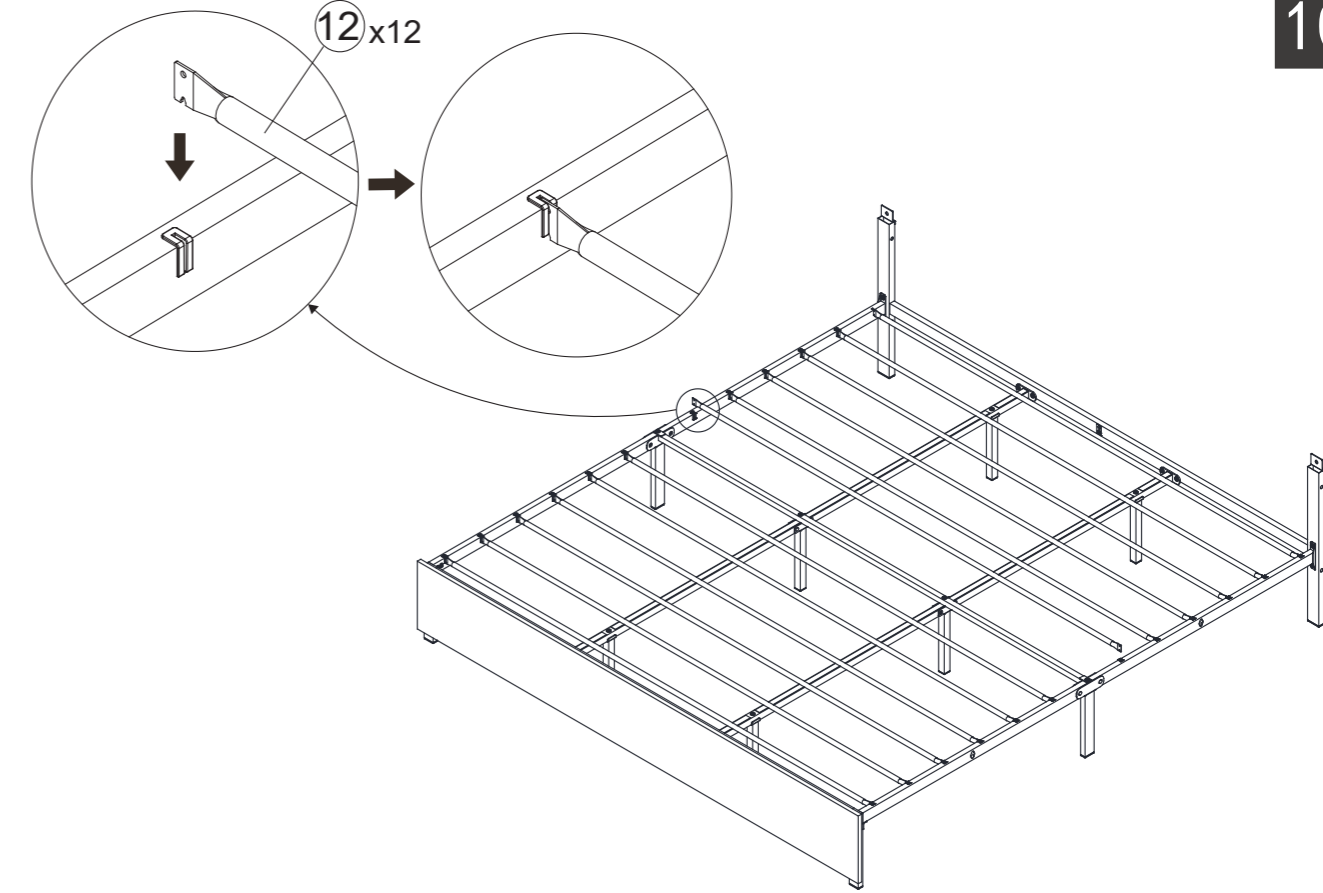
9



8

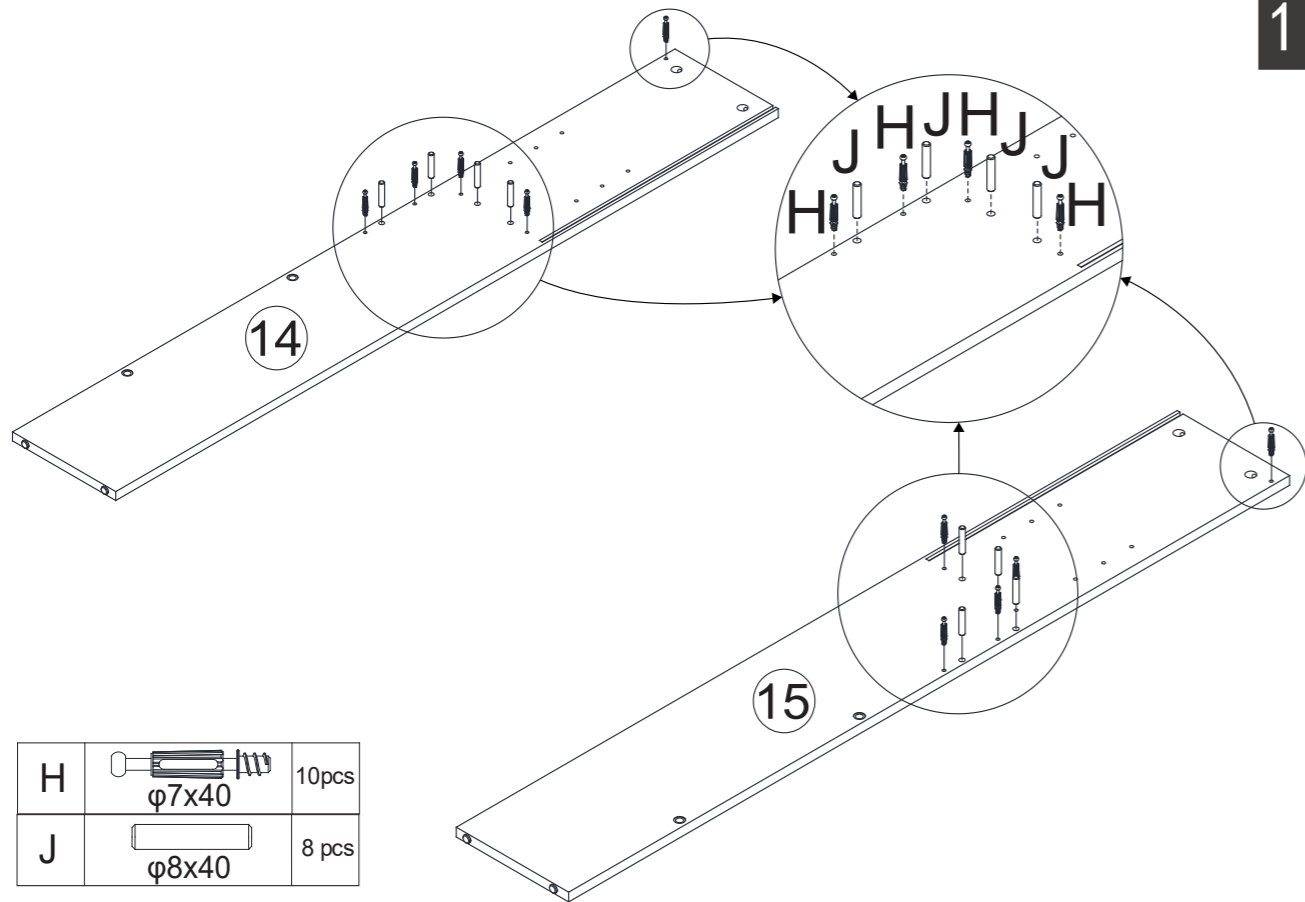


10



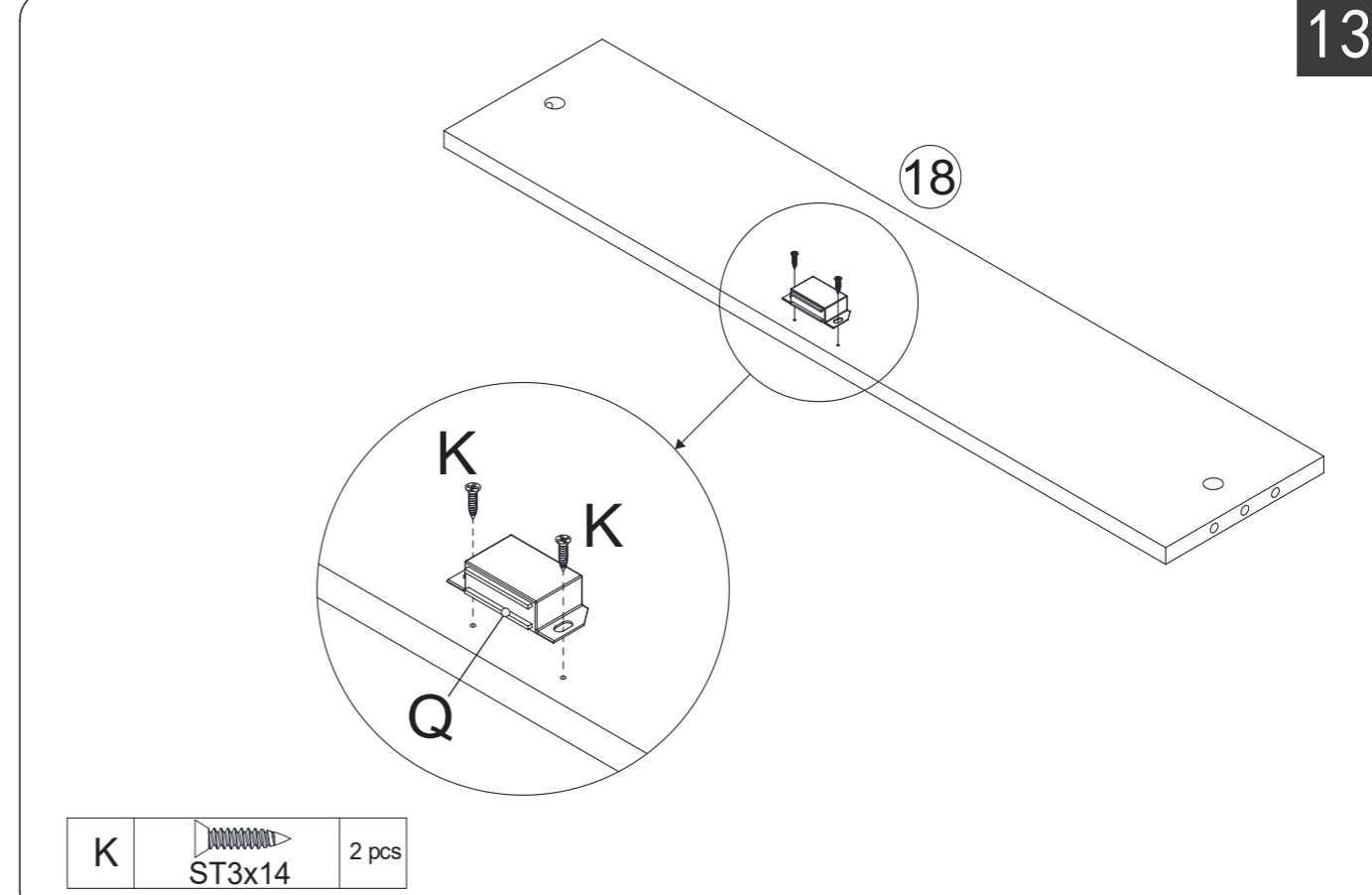
ASSEMBLY INSTRUCTIONS

11

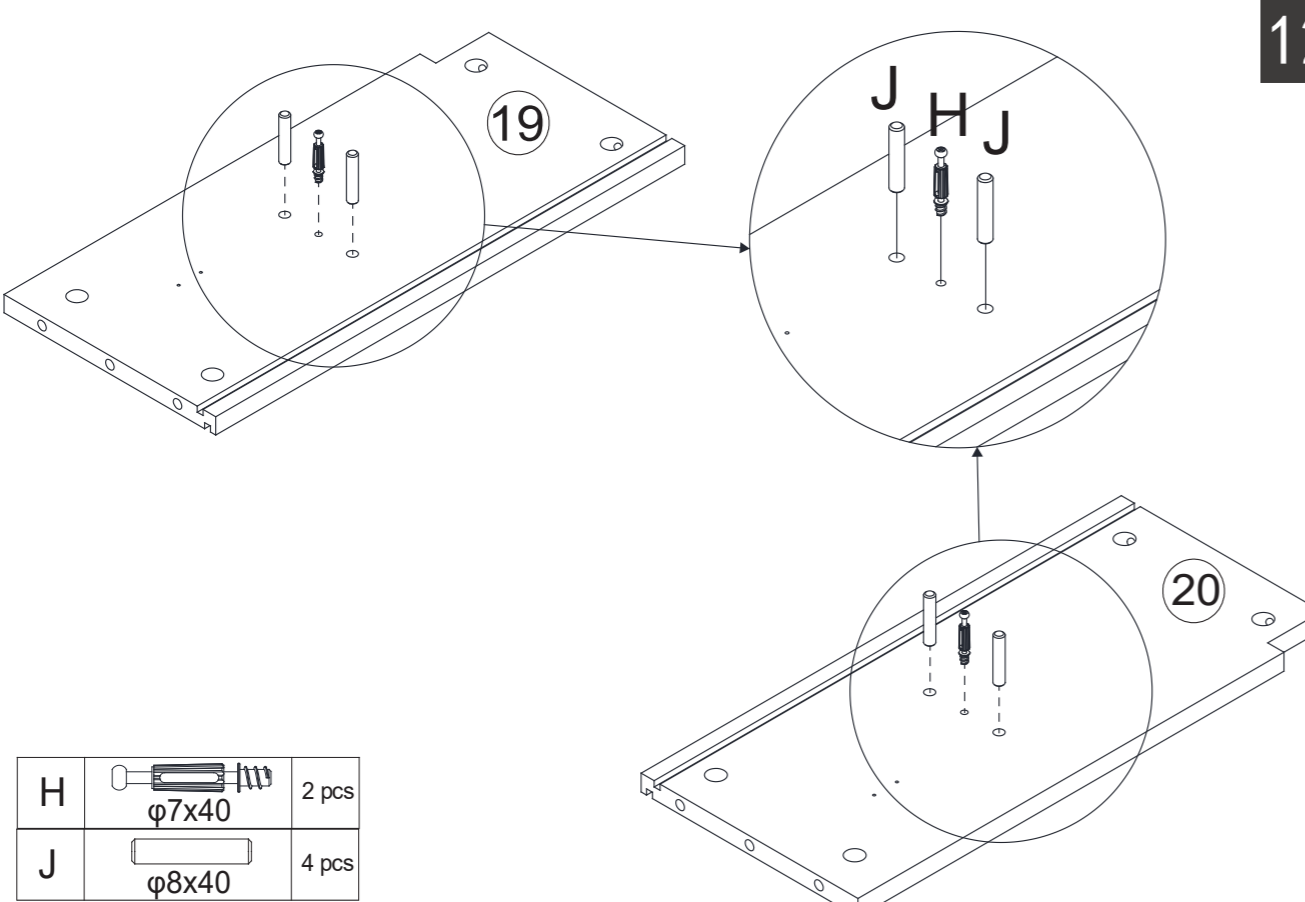


ASSEMBLY INSTRUCTIONS

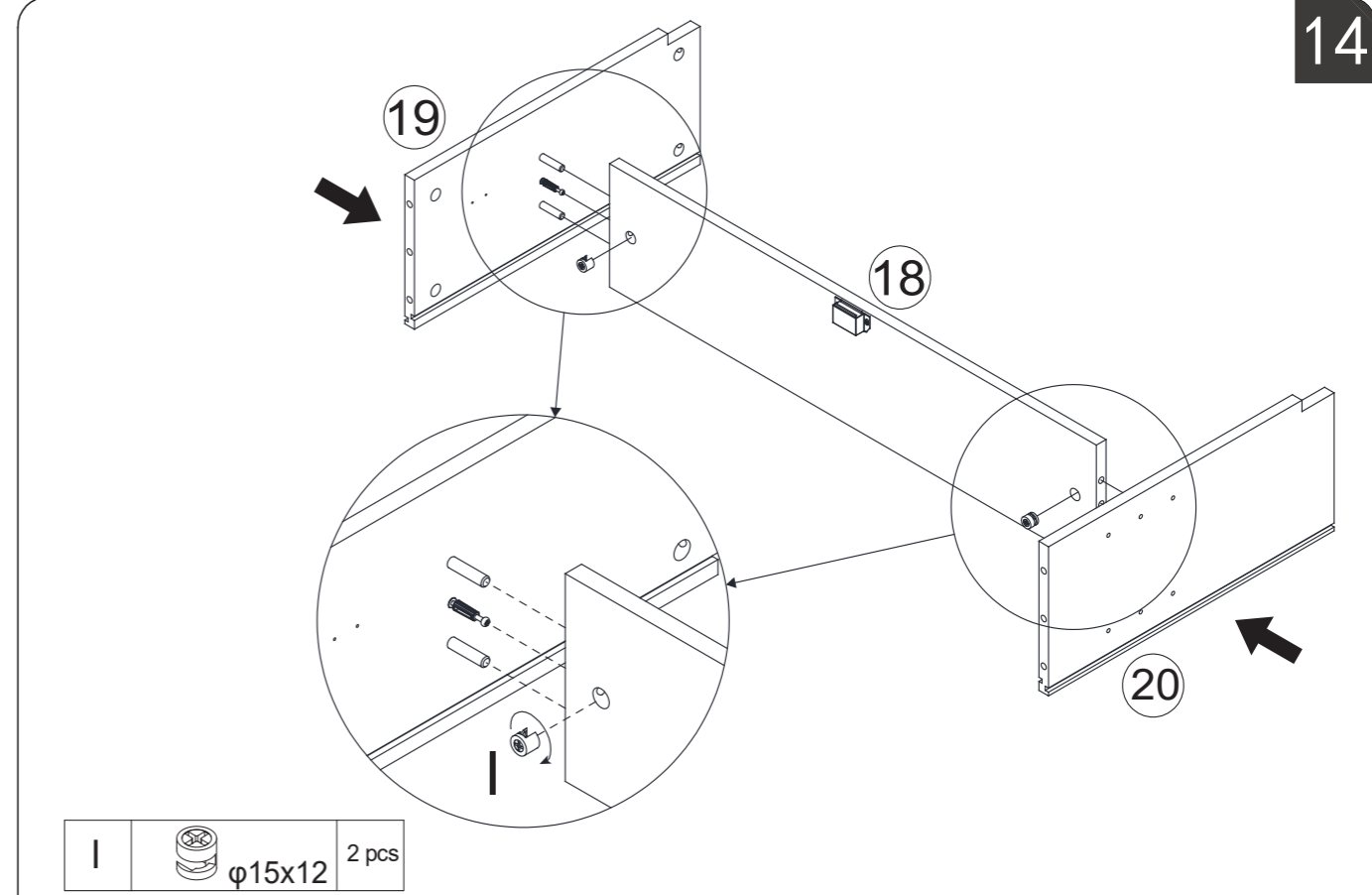
13



12

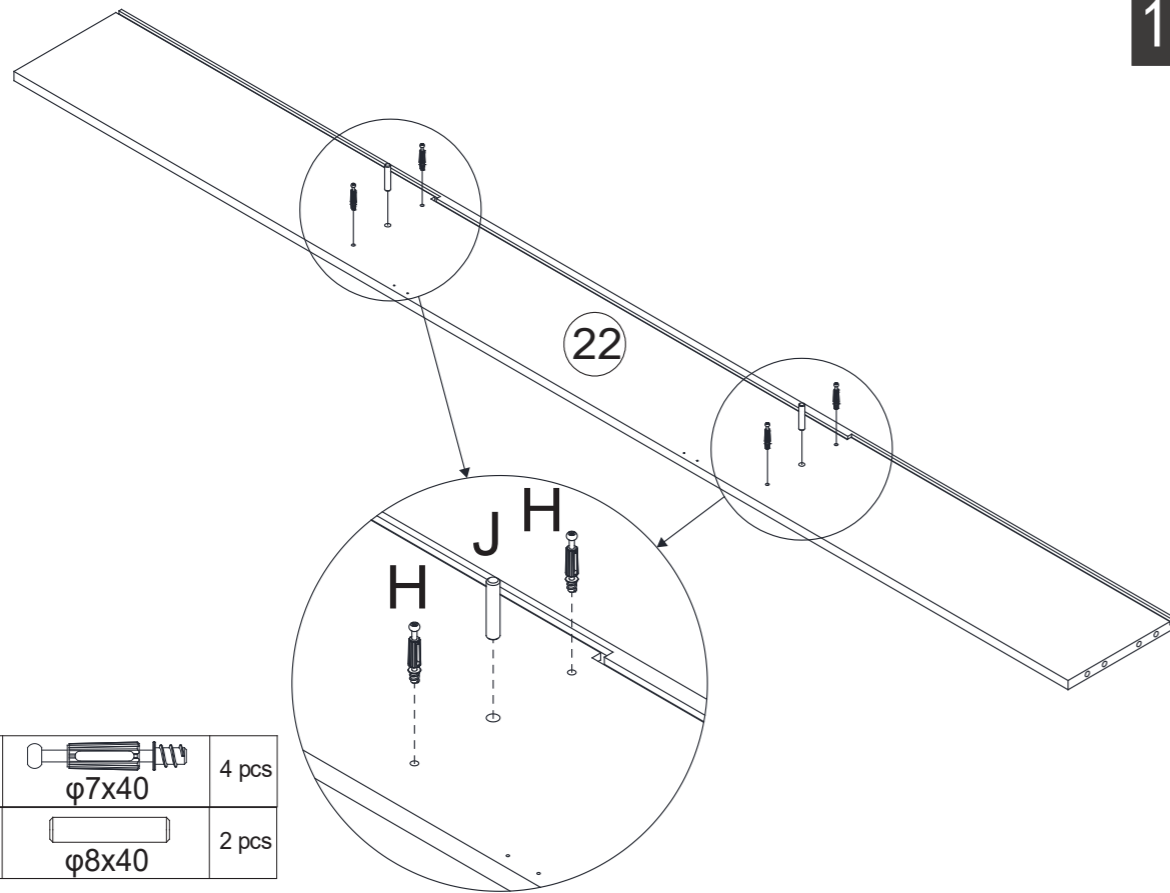



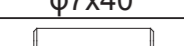
14



ASSEMBLY INSTRUCTIONS

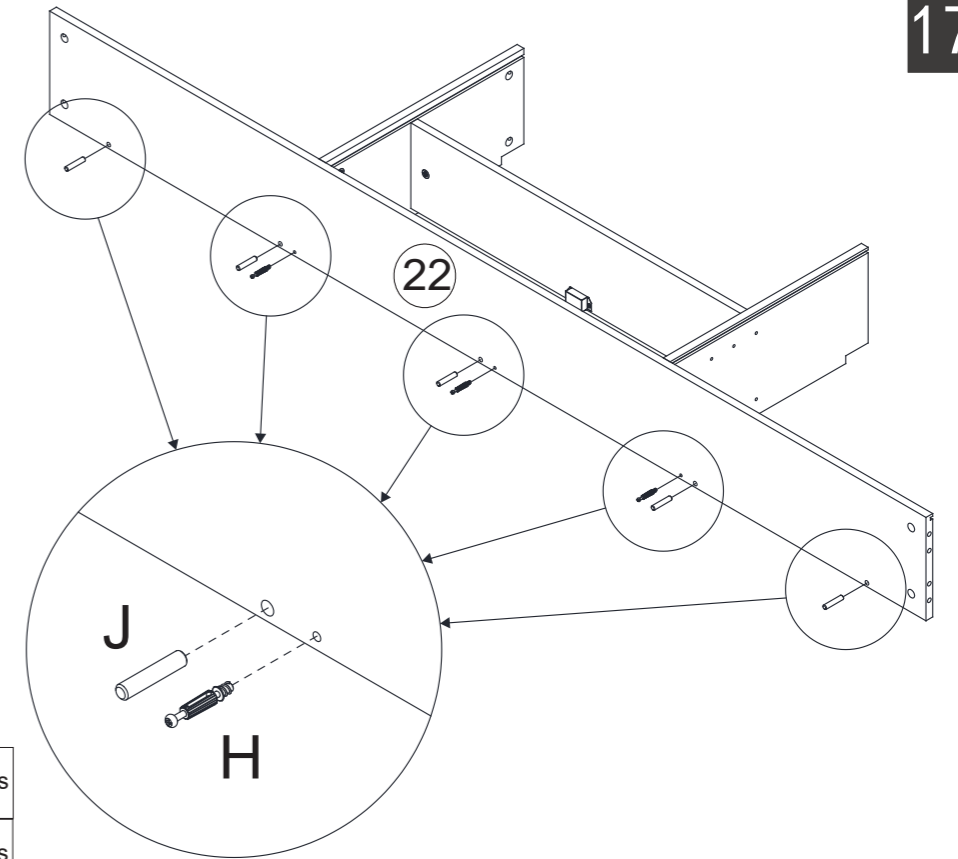
15


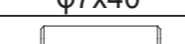


H		4 pcs
J		2 pcs

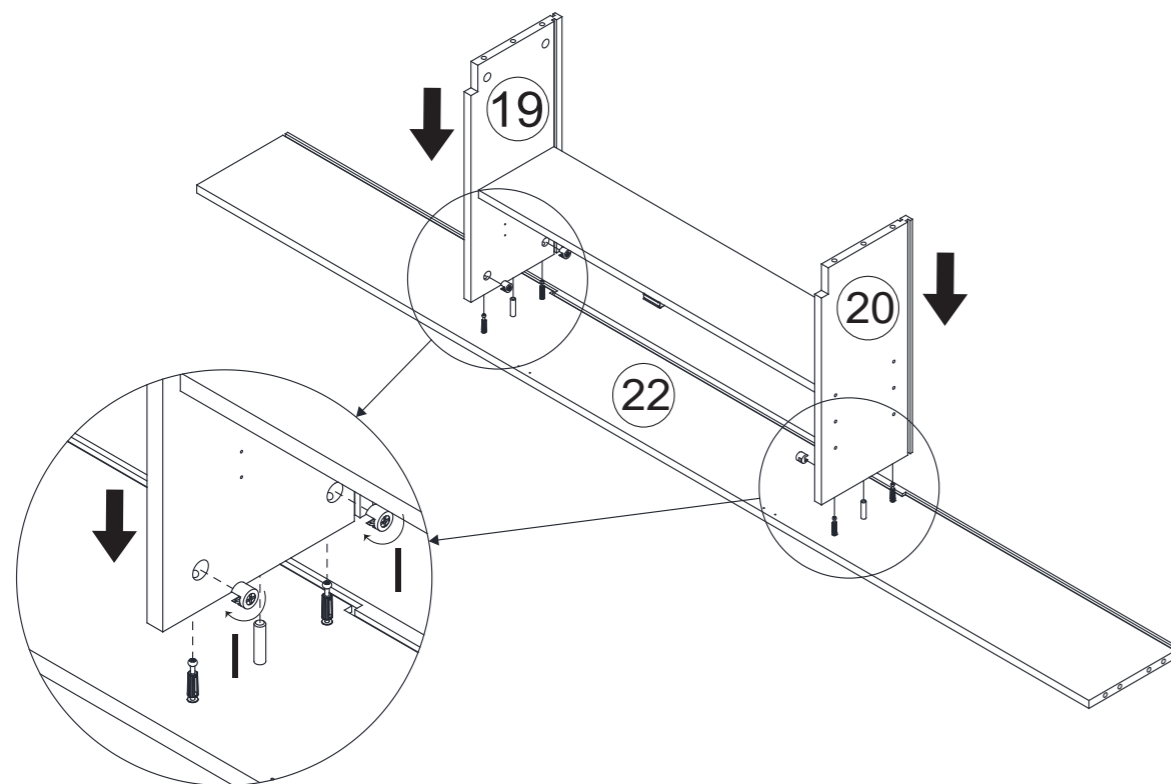
ASSEMBLY INSTRUCTIONS


17



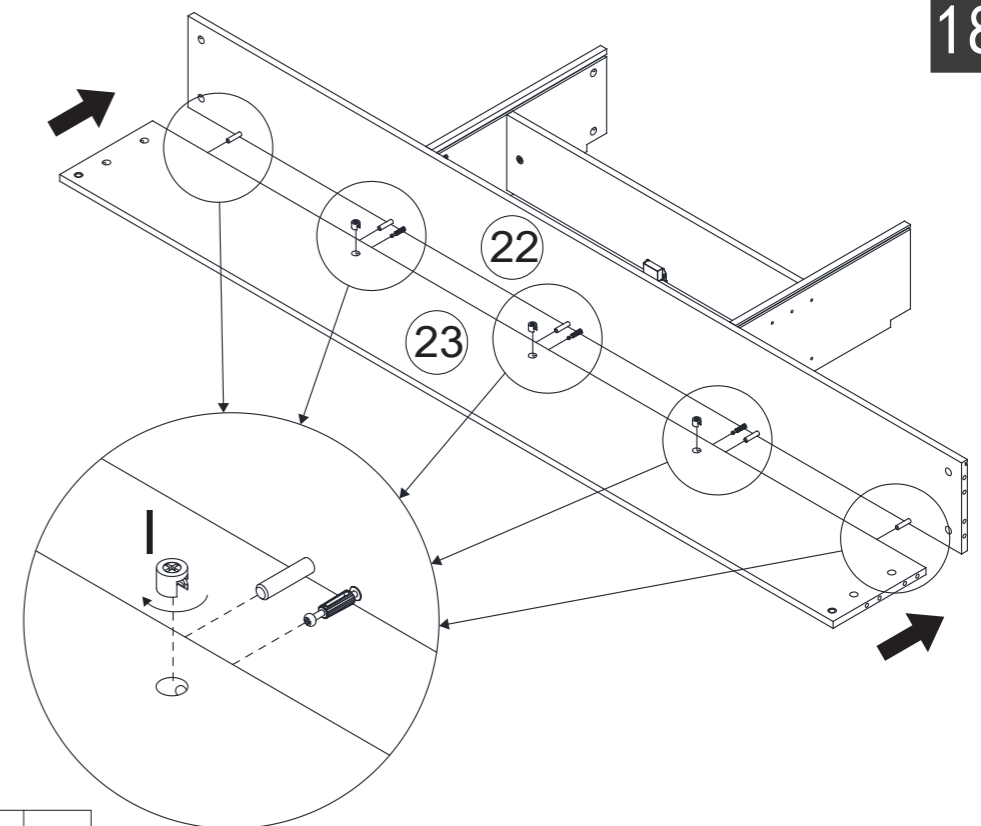
H		3 pcs
J		5 pcs


16



I		4 pcs
---	---	-------

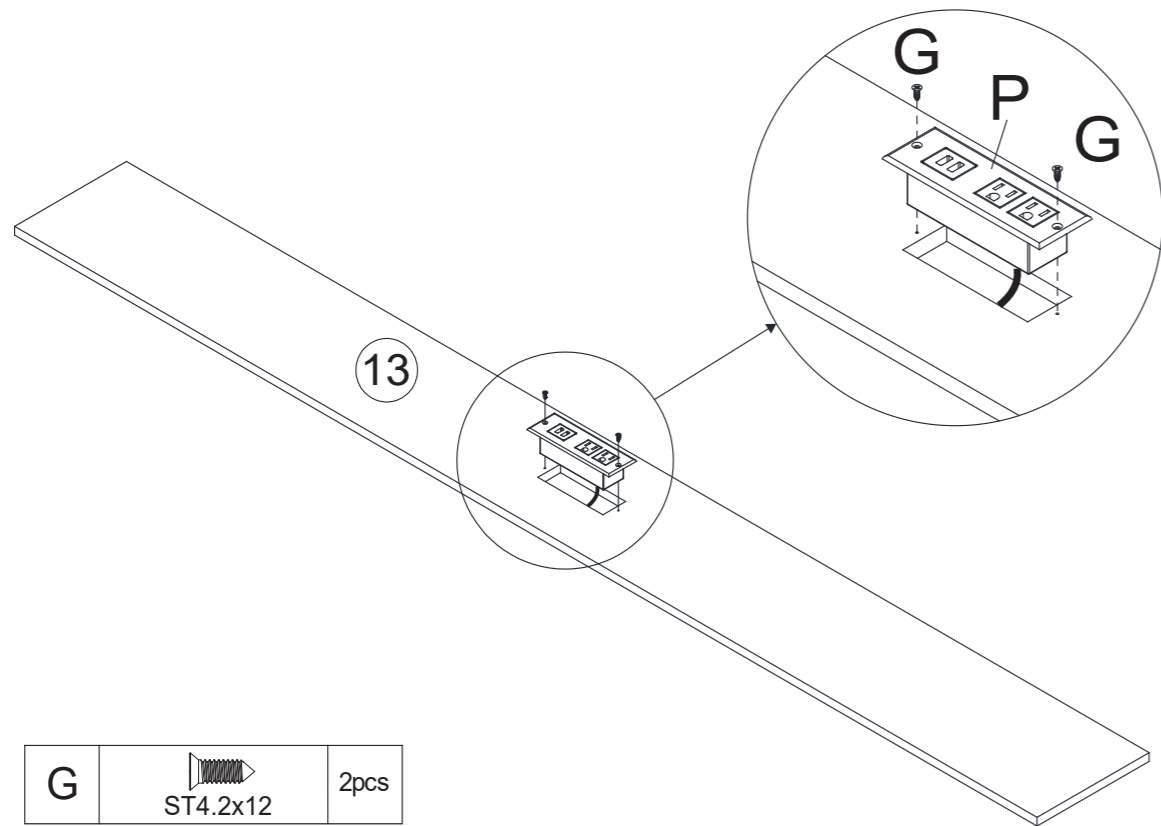
18

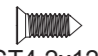


I		3 pcs
---	---	-------

ASSEMBLY INSTRUCTIONS

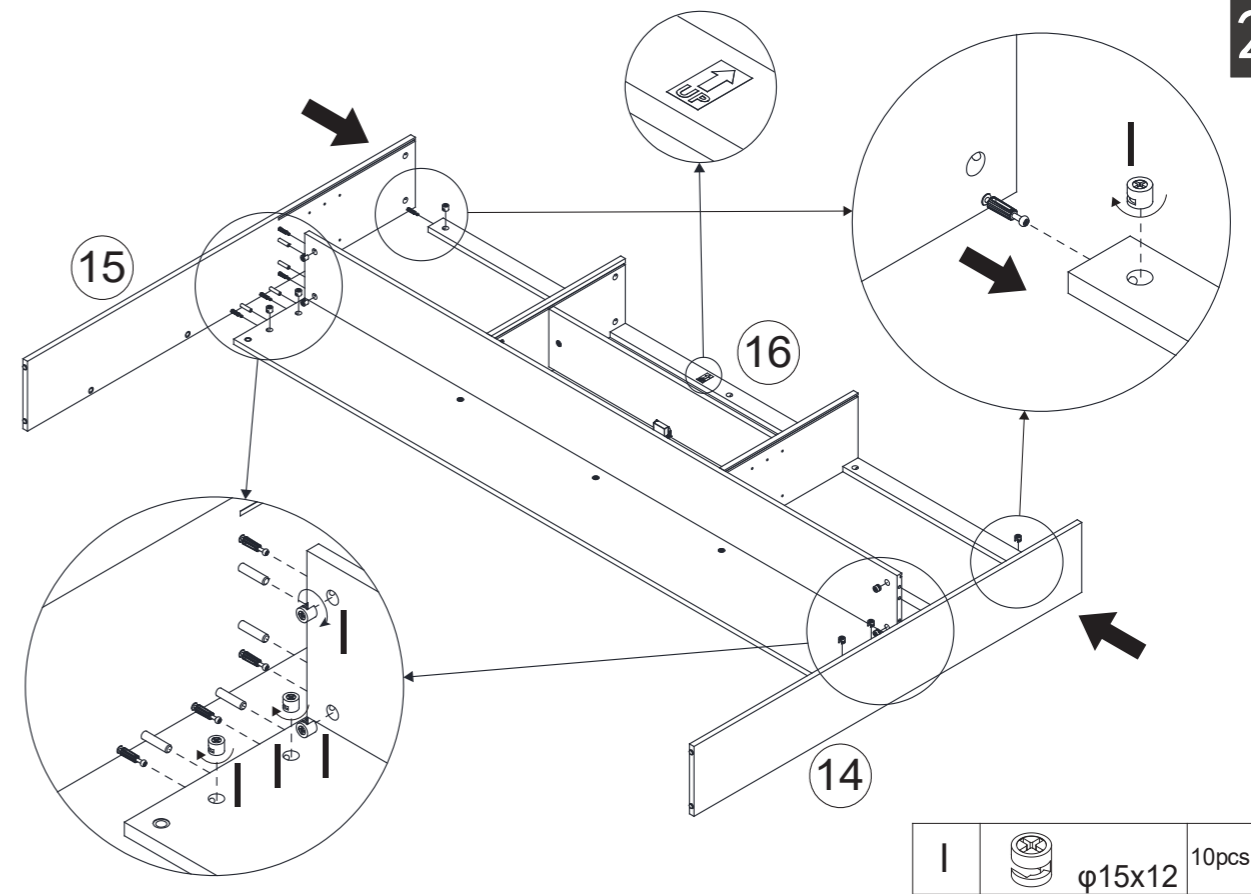
19



G	 ST4.2x12	2pcs
---	--	------

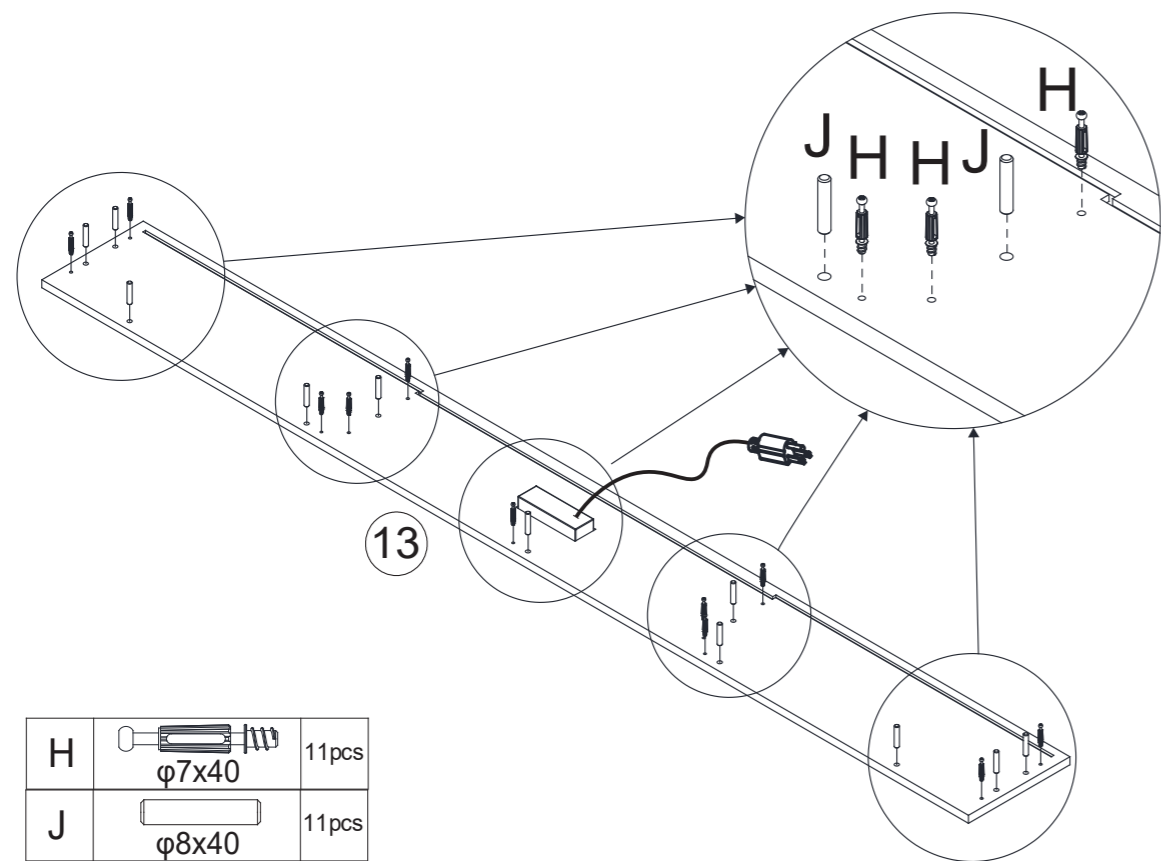
ASSEMBLY INSTRUCTIONS


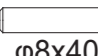
21



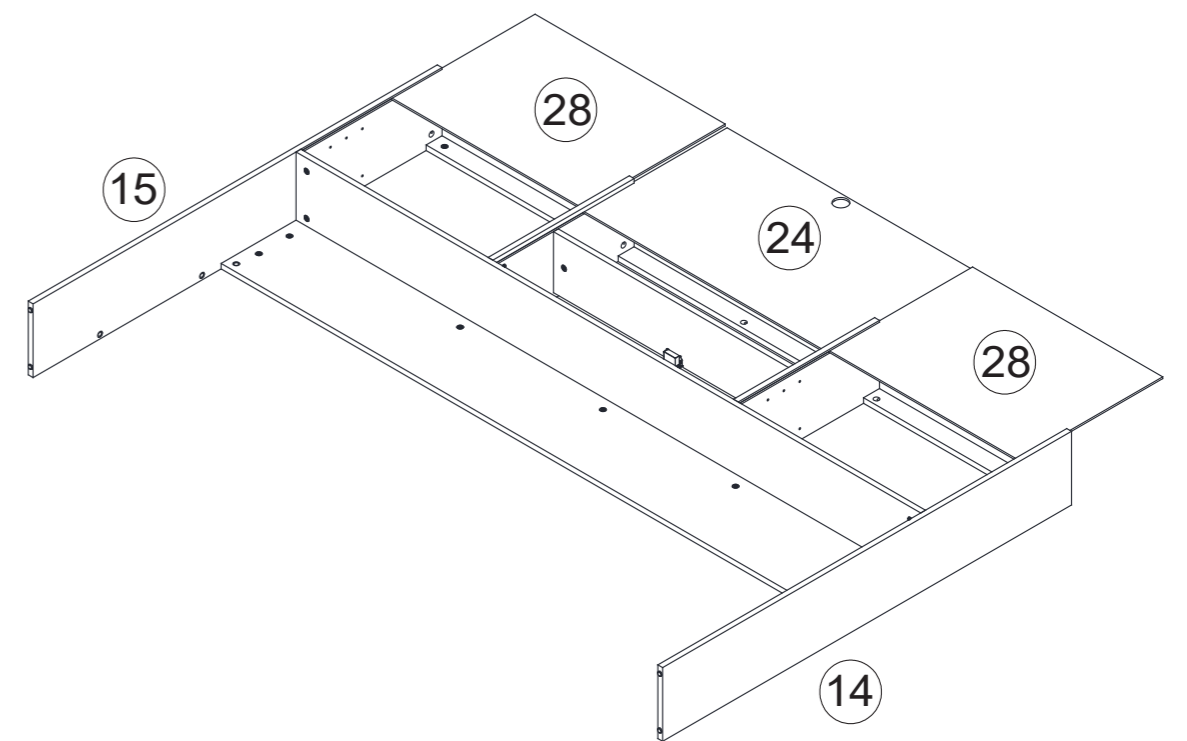
I	 $\phi 15 \times 12$	10pcs
---	--	-------

20

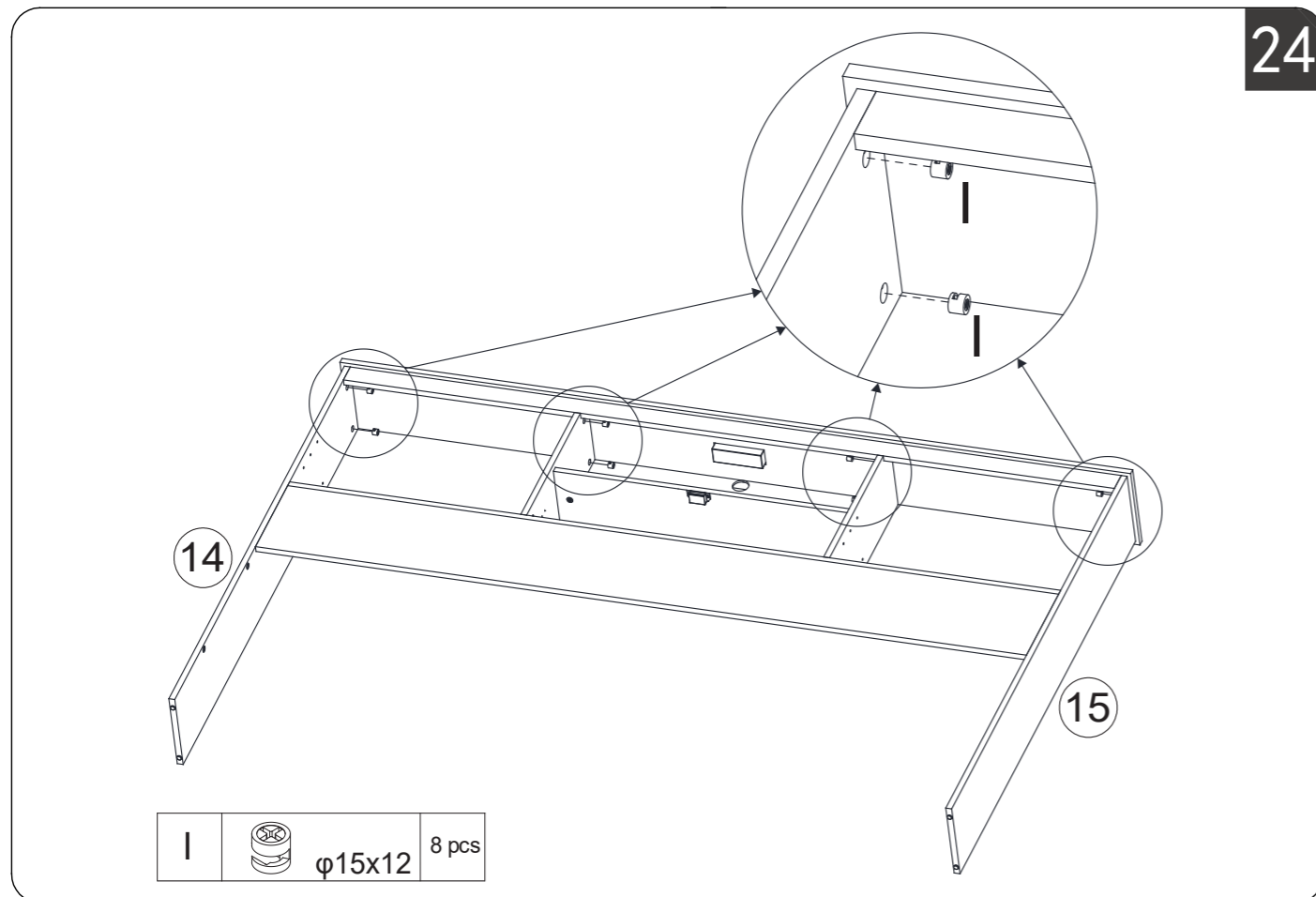
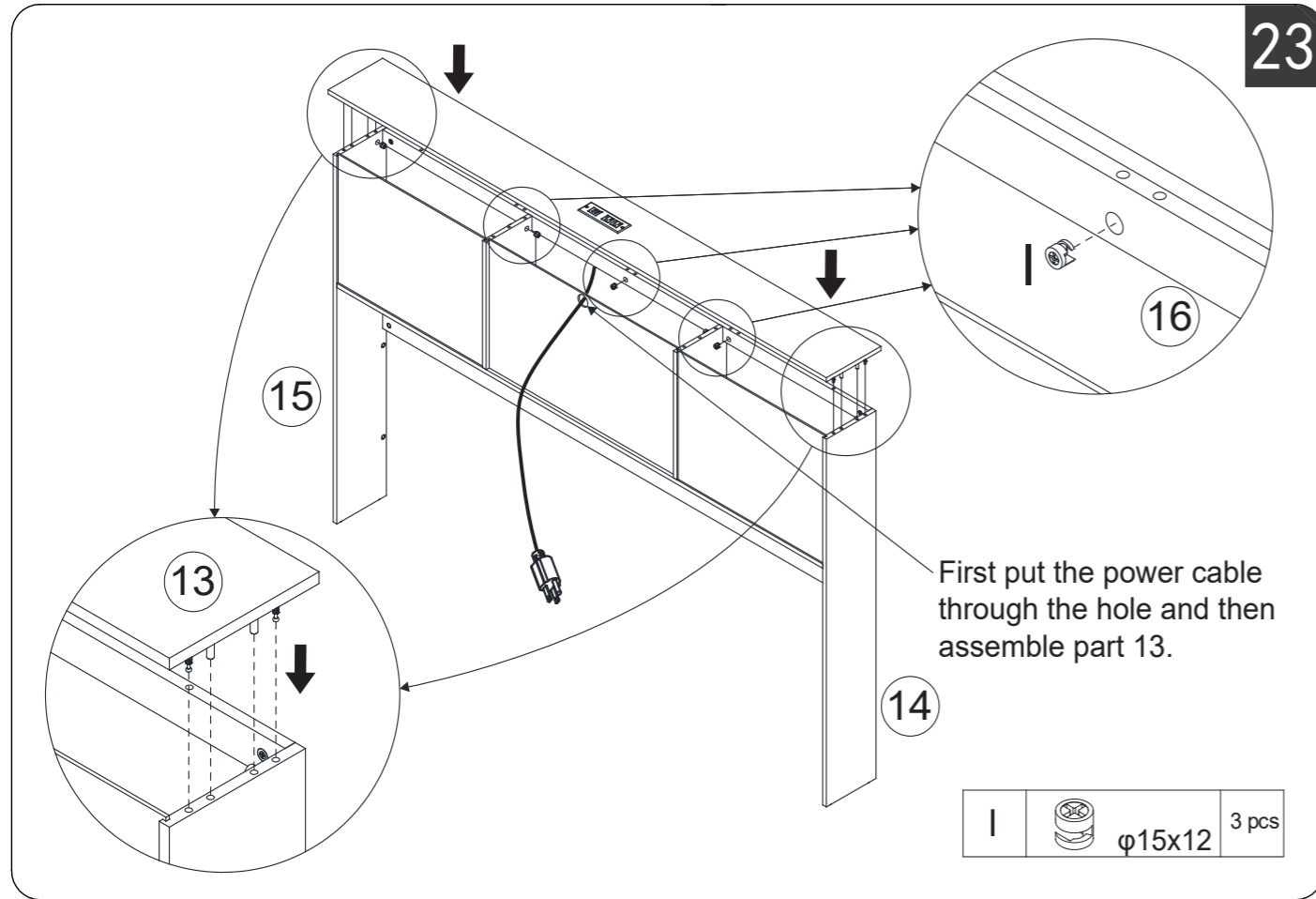


H	 $\phi 7 \times 40$	11pcs
J	 $\phi 8 \times 40$	11pcs

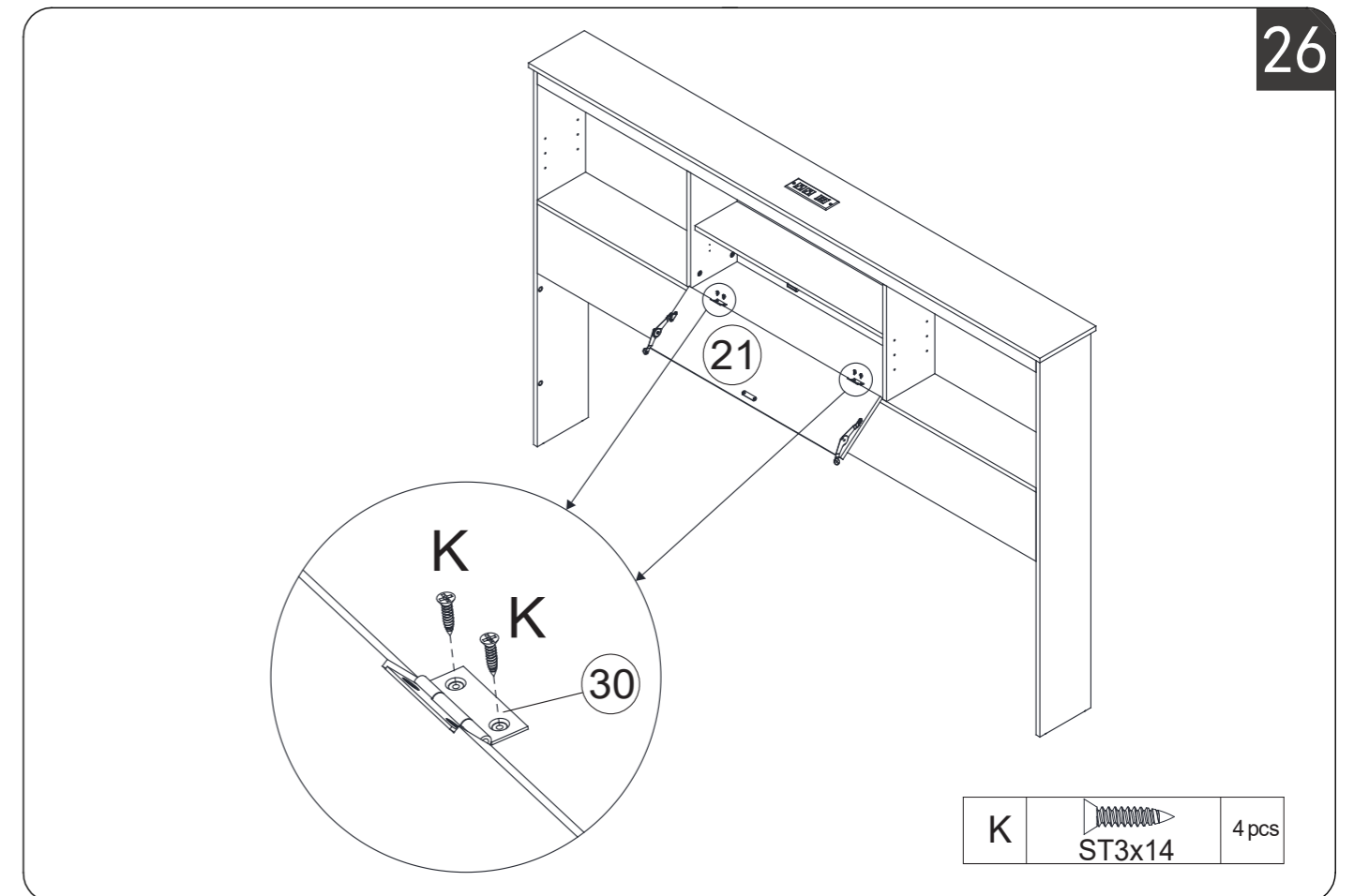
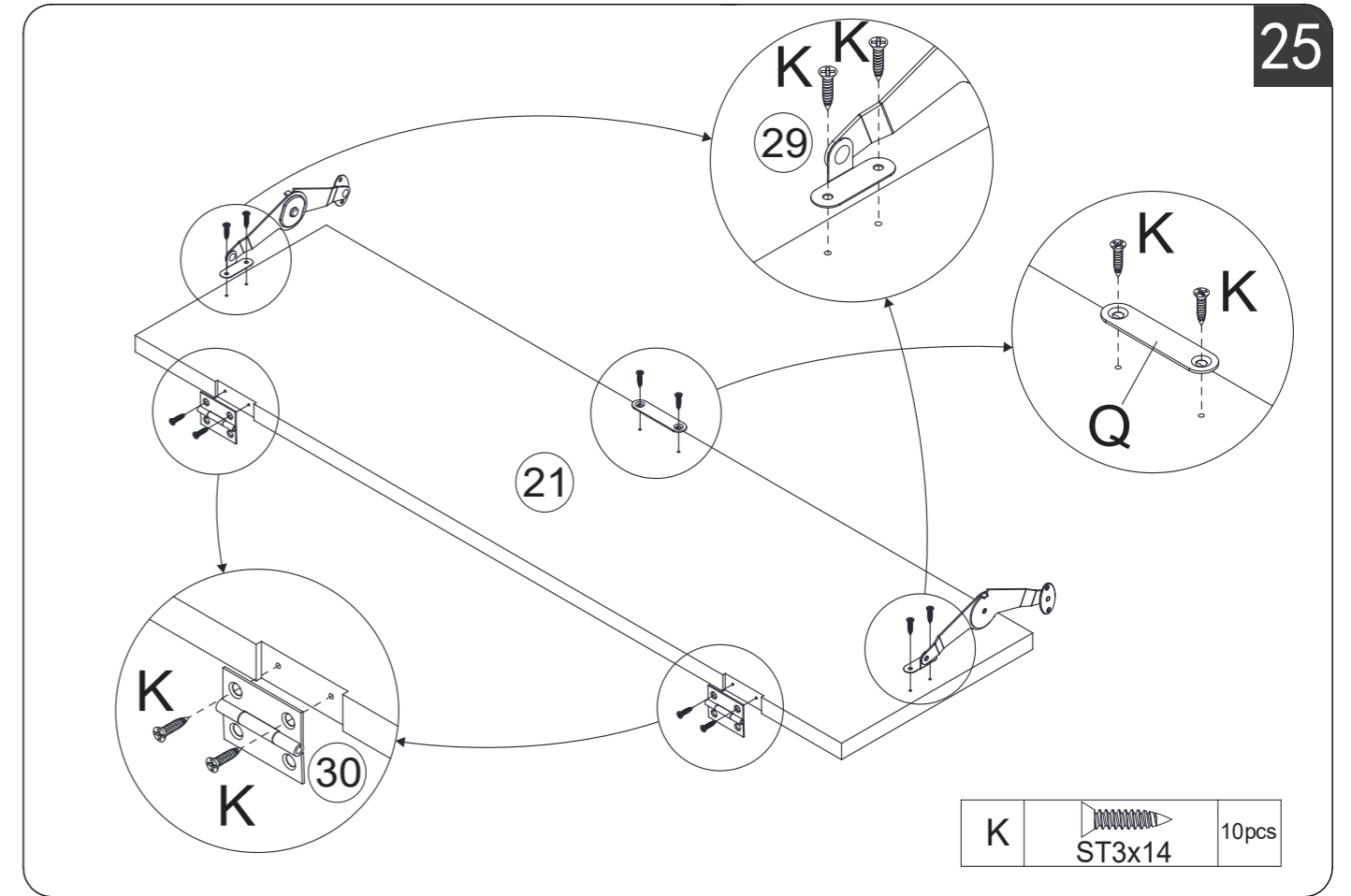
22



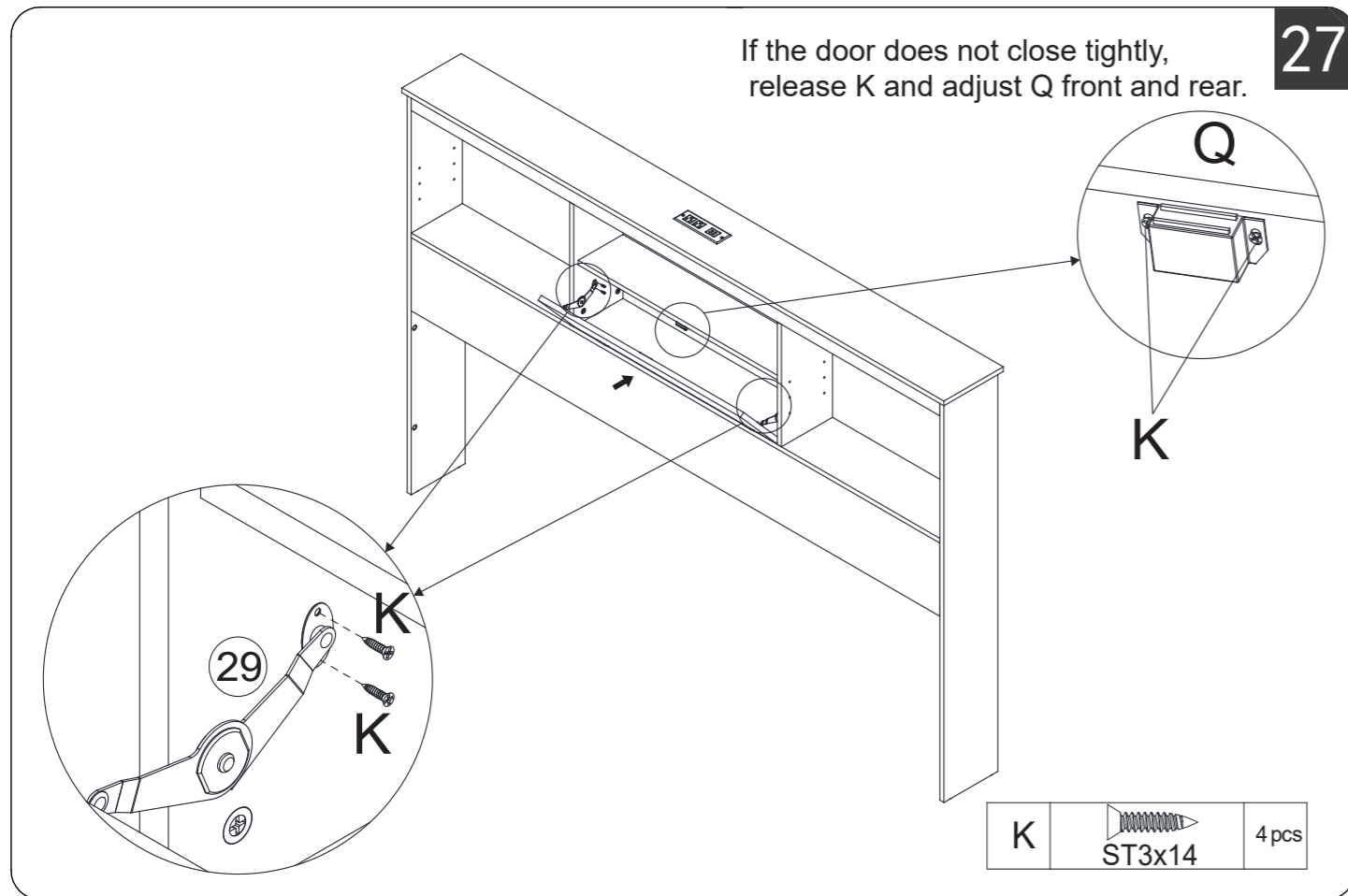
ASSEMBLY INSTRUCTIONS



ASSEMBLY INSTRUCTIONS

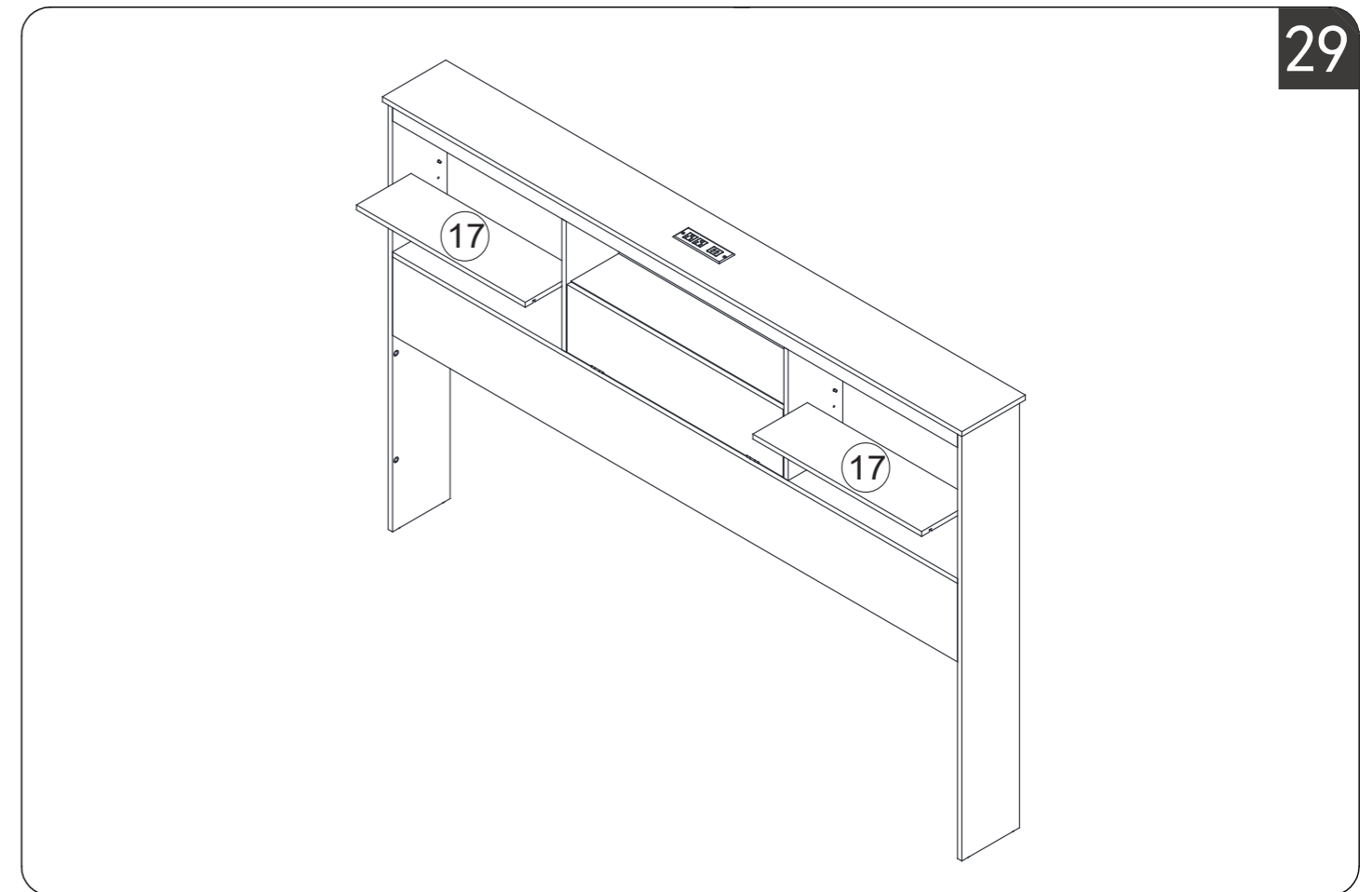


ASSEMBLY INSTRUCTIONS

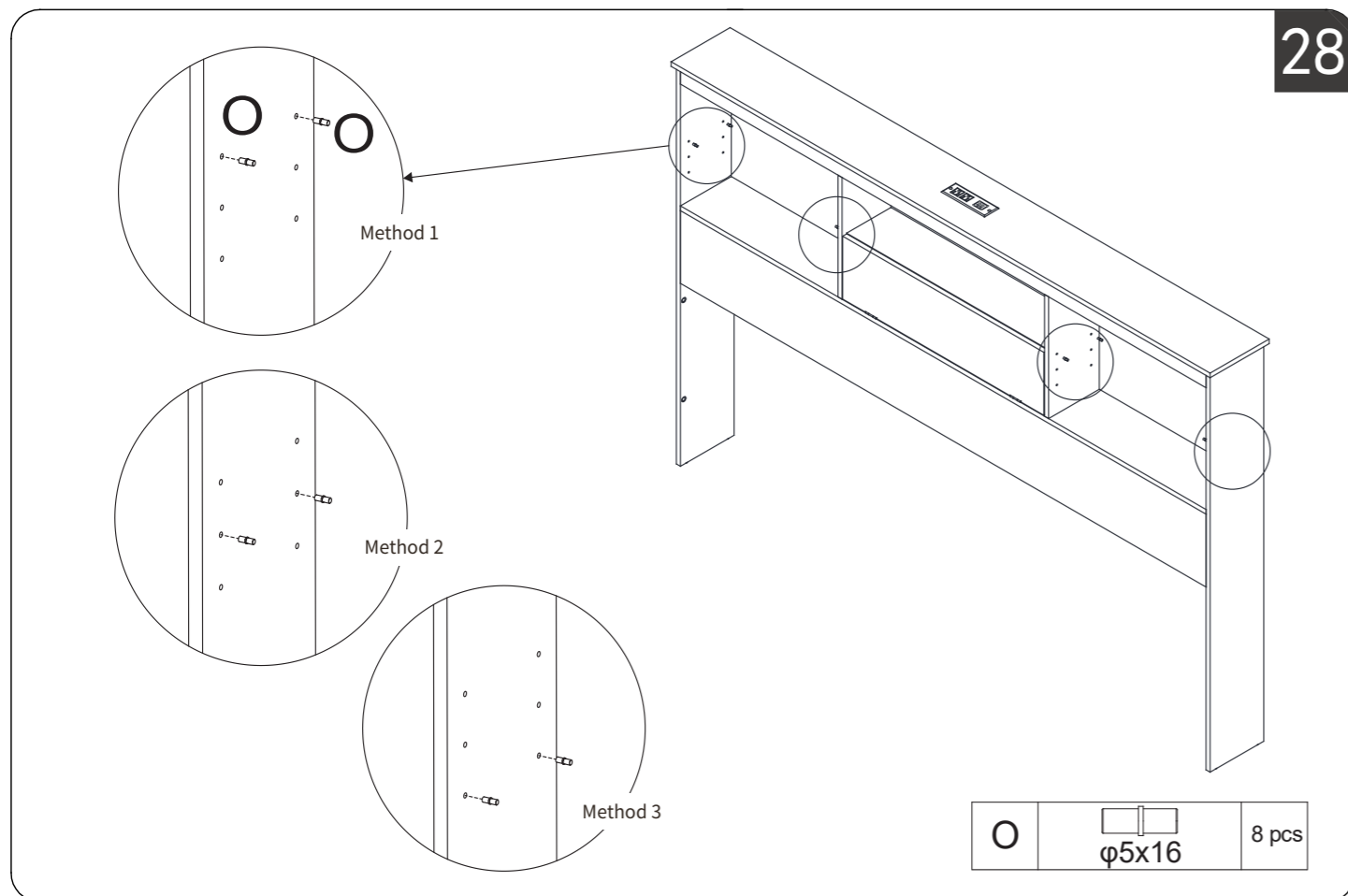


27

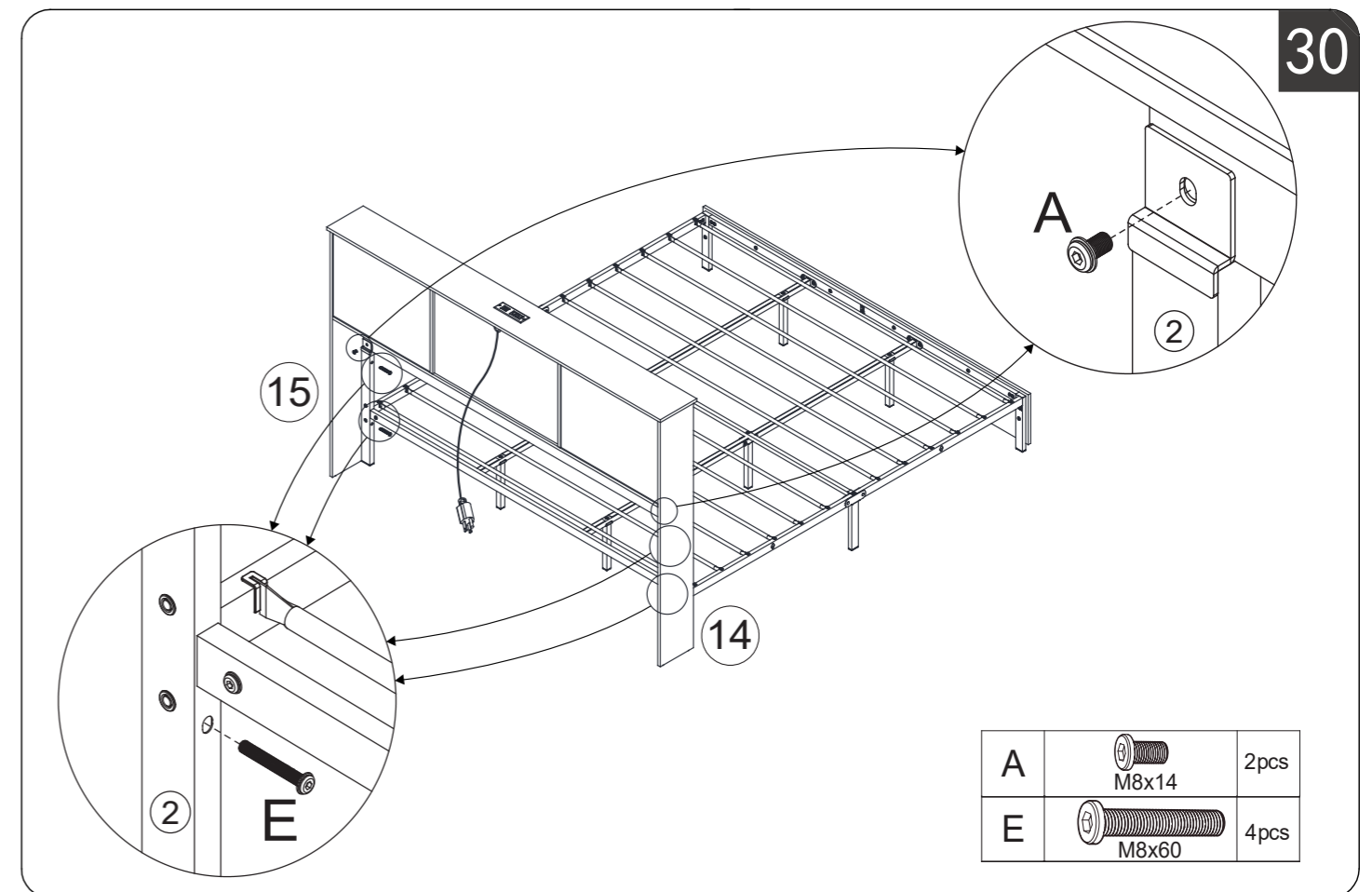
ASSEMBLY INSTRUCTIONS



29



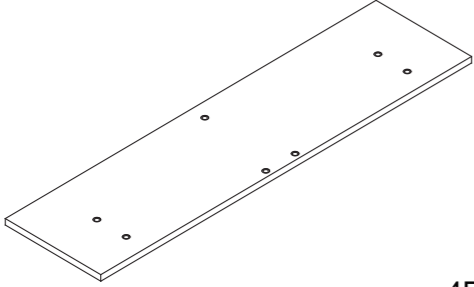
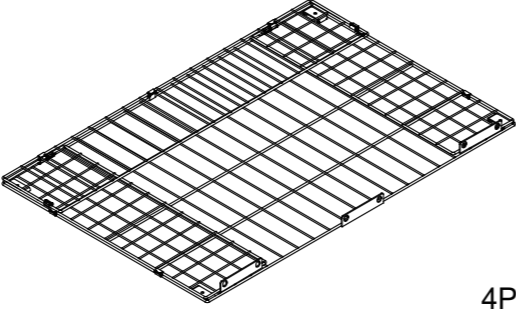
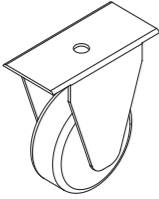

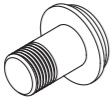

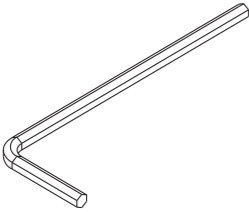
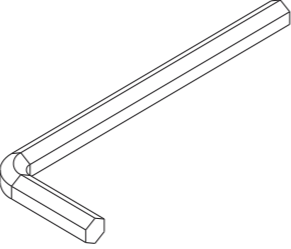
28



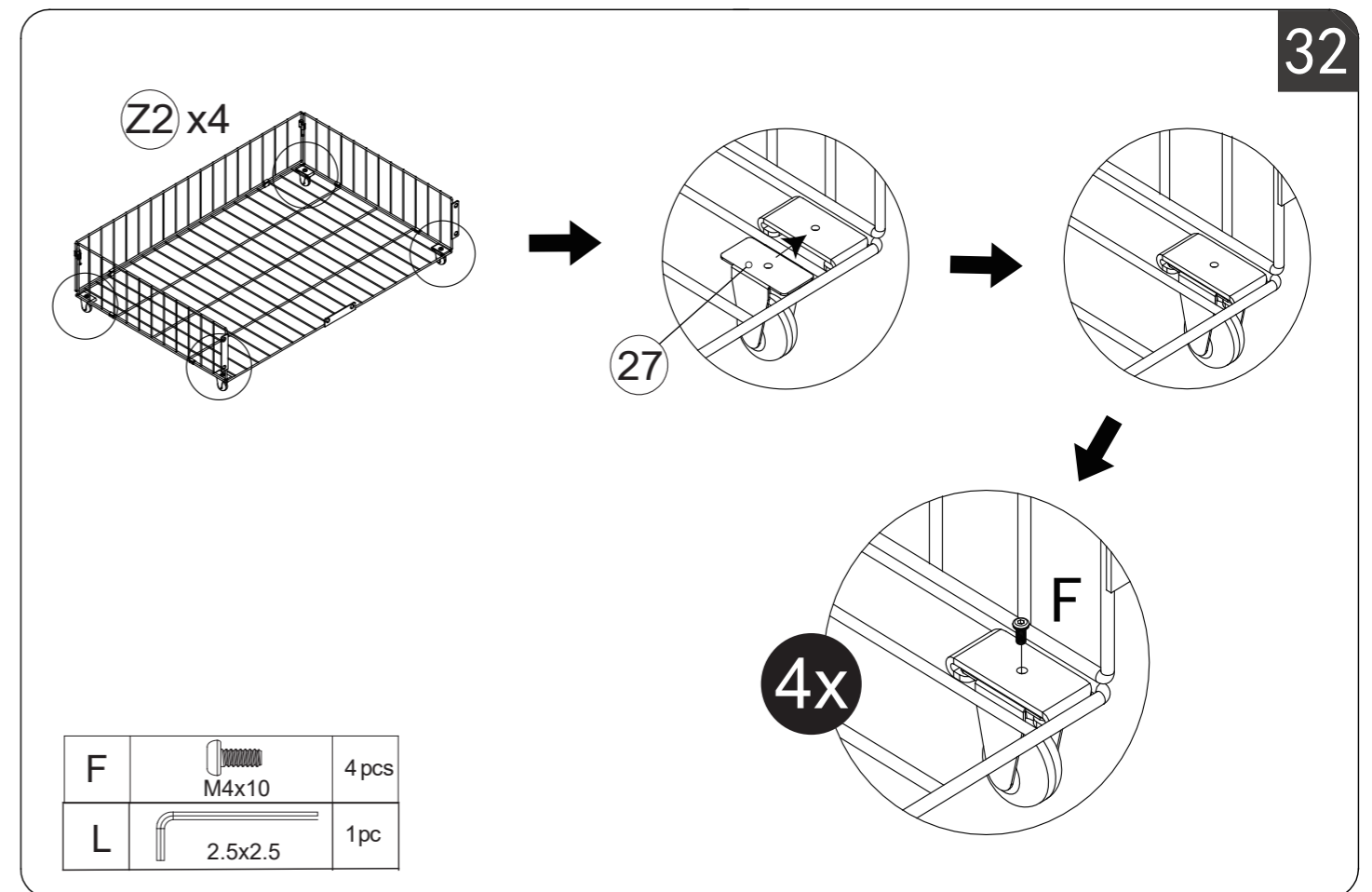
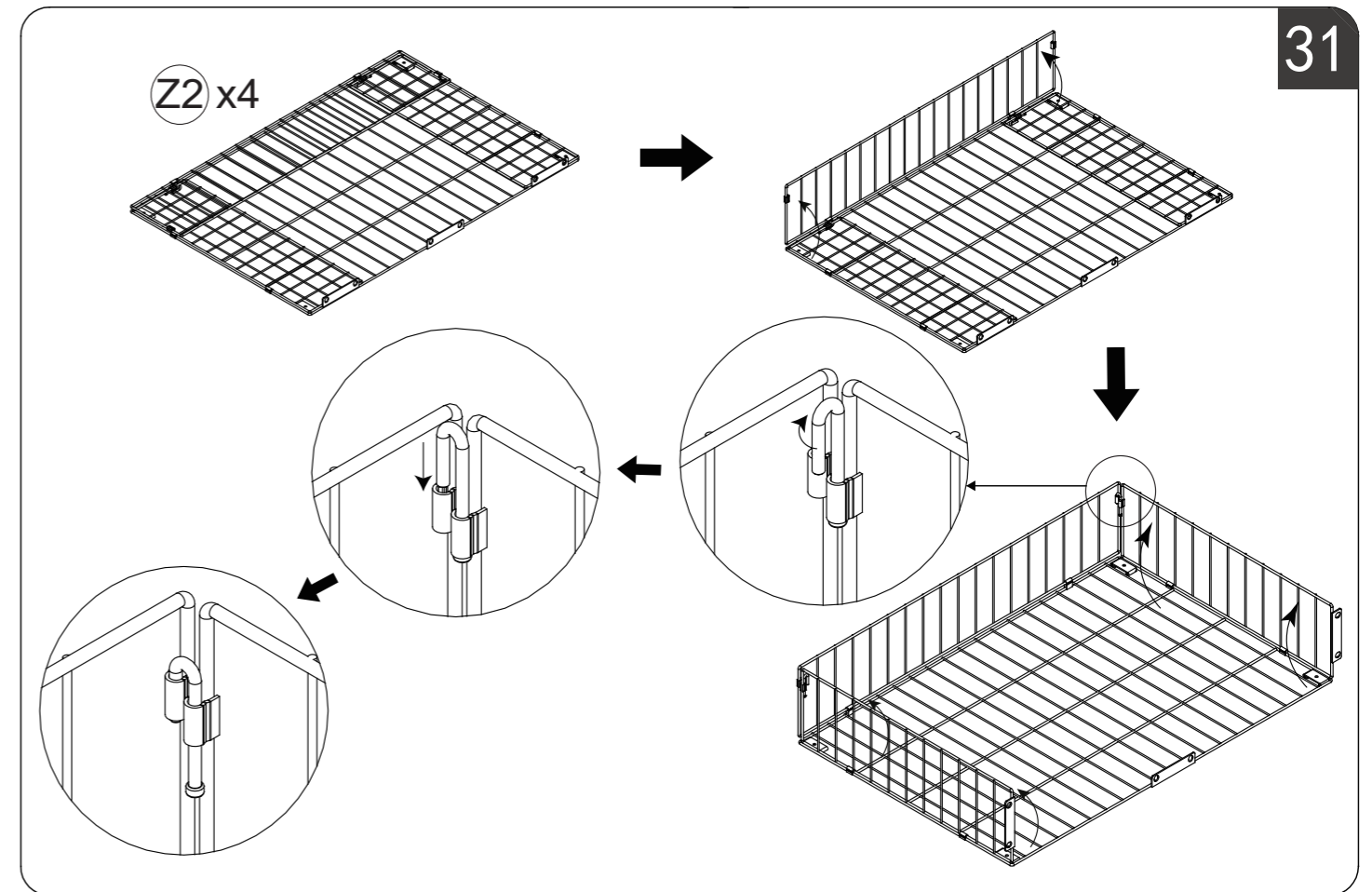
30

ASSEMBLY INSTRUCTIONS

Drawer PARTS LIST

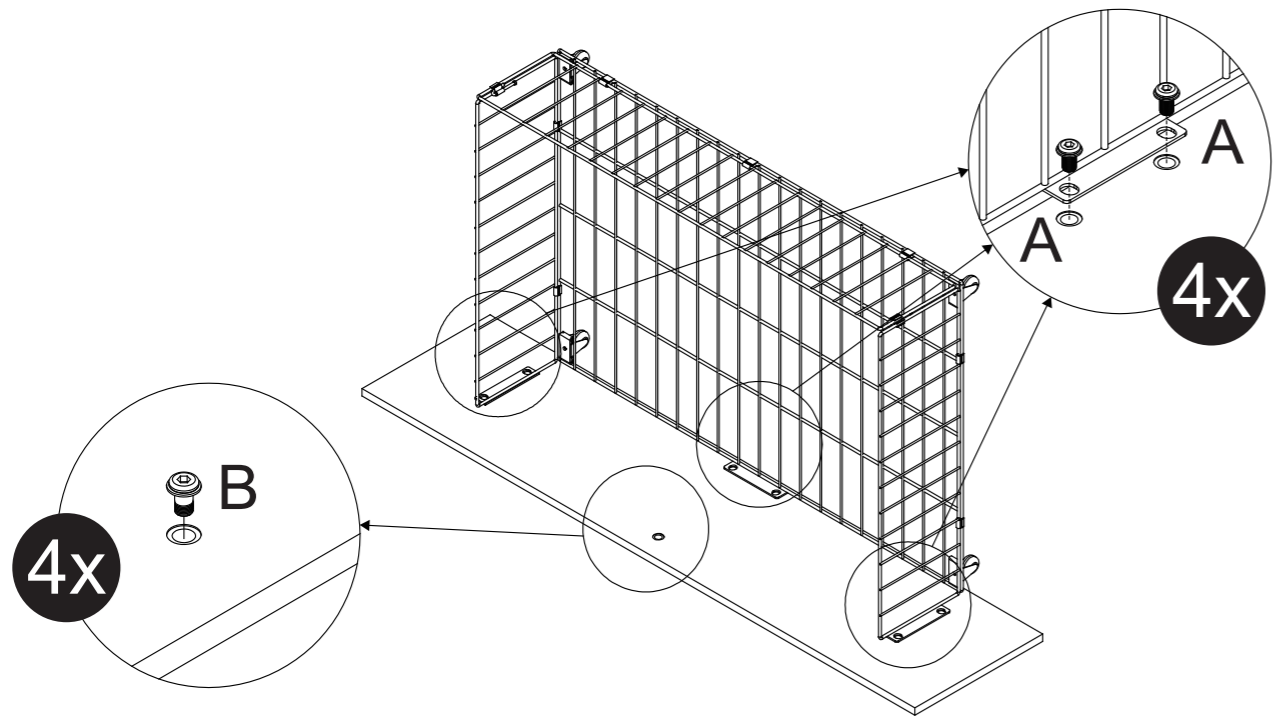
<p>26</p>  <p>4PCS</p>	<p>Z2</p>  <p>4PCS</p>
<p>27</p>  <p>16PCS</p>	<p>A</p>  <p>M8*14</p> <p>24PCS</p>
<p>B</p>  <p>M8*14 (Color Zinc)</p> <p>4PCS</p>	<p>F</p>  <p>M4*10</p> <p>16PCS</p>
<p>L</p>  <p>2.5*2.5</p> <p>1PC</p>	<p>M</p>  <p>5*5</p> <p>1PC</p>


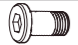
ASSEMBLY INSTRUCTIONS



ASSEMBLY INSTRUCTIONS

33

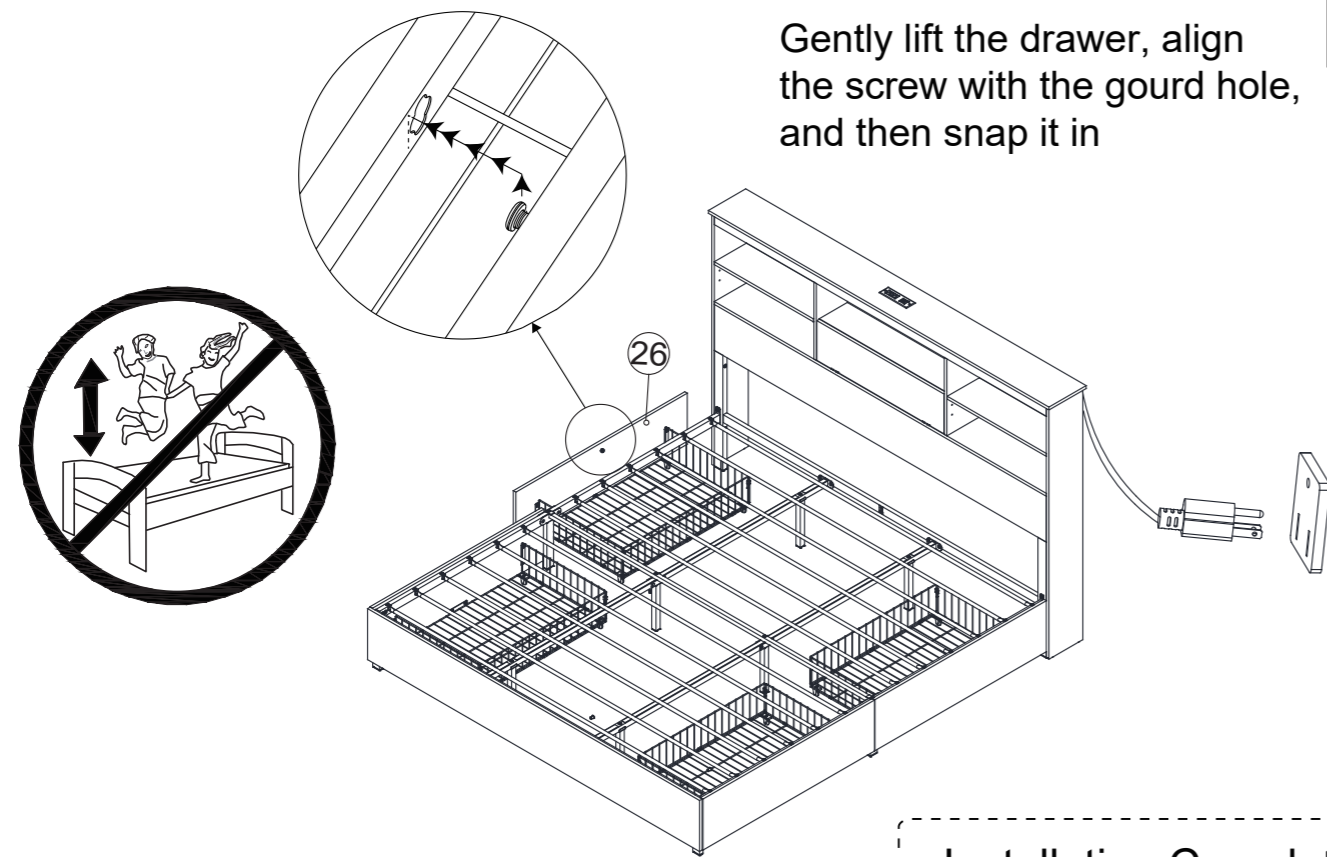


A	 M8x14	6 pcs
B	 M8x14	1 pc

Color zinc screws

34

Gently lift the drawer, align the screw with the gourd hole, and then snap it in



Installation Complete