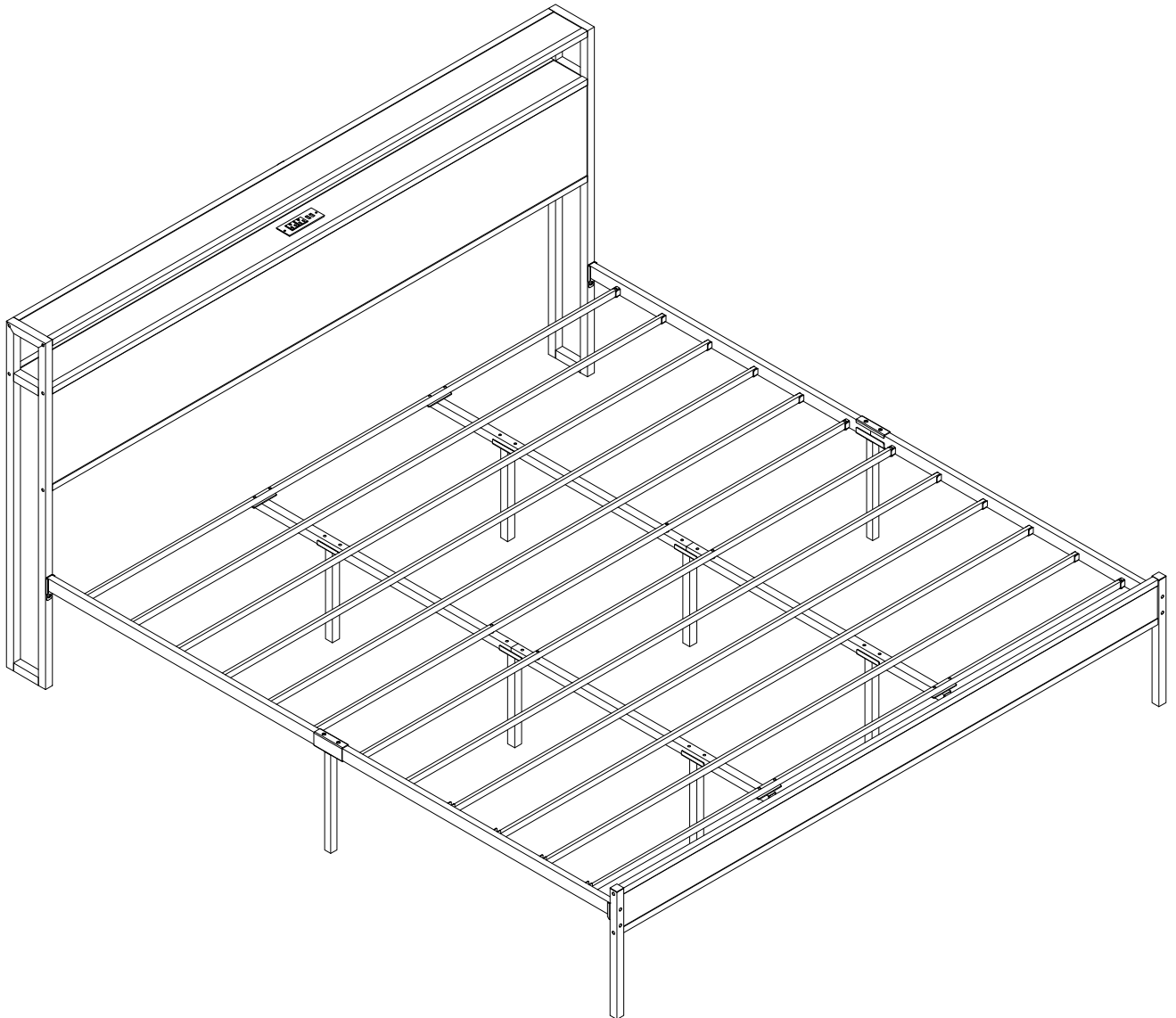


## Metal Storage Bed Frame Assembly Instructions

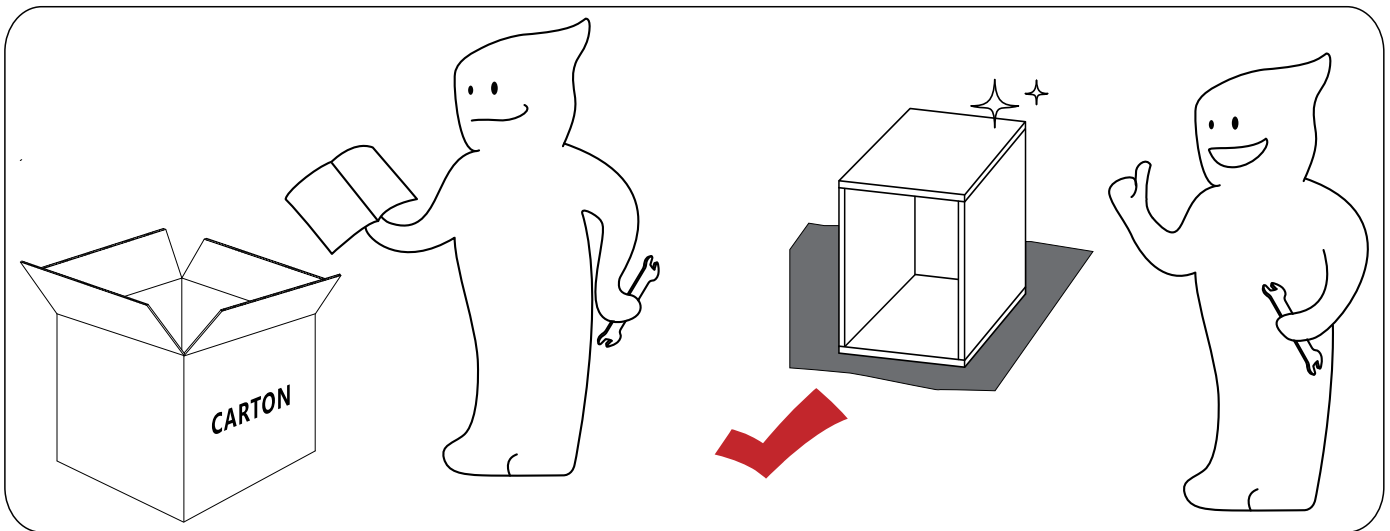
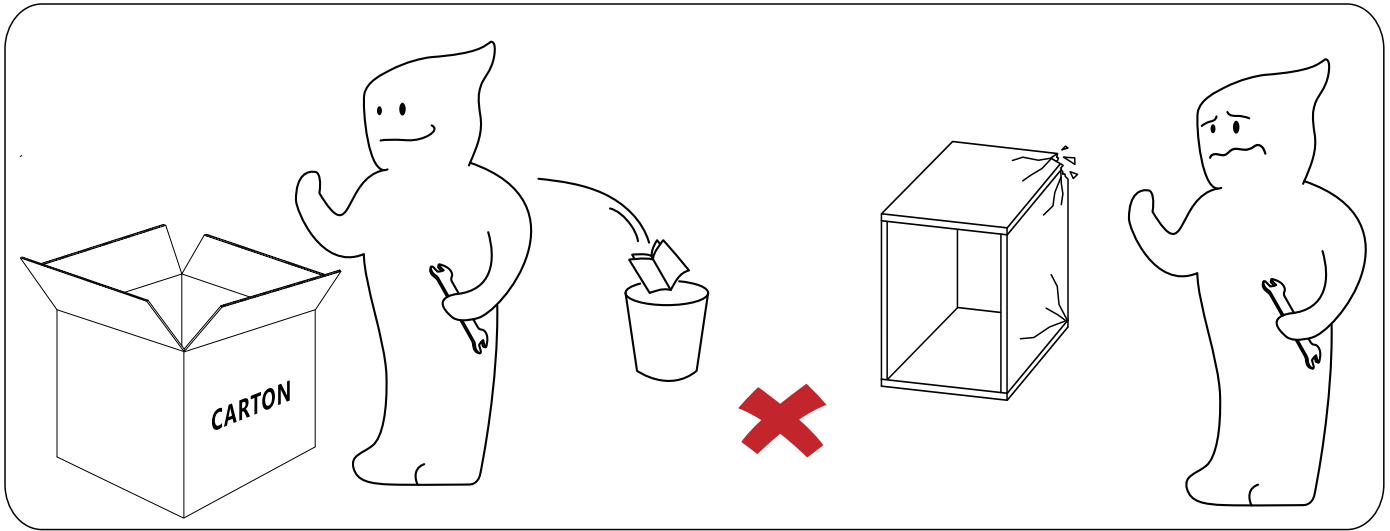


### **Dear Customers,**

Thank you for purchasing our product. Please read this instruction manual carefully after receiving this product. It will help you assemble this product quickly, safely and correctly. You can keep this manual for future reference.  
**MADE IN CHINA**

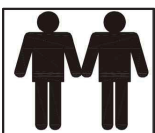
## ! IMPORTANT

Please follow the instruction manuals and use a pad to protect the product during your assembly.



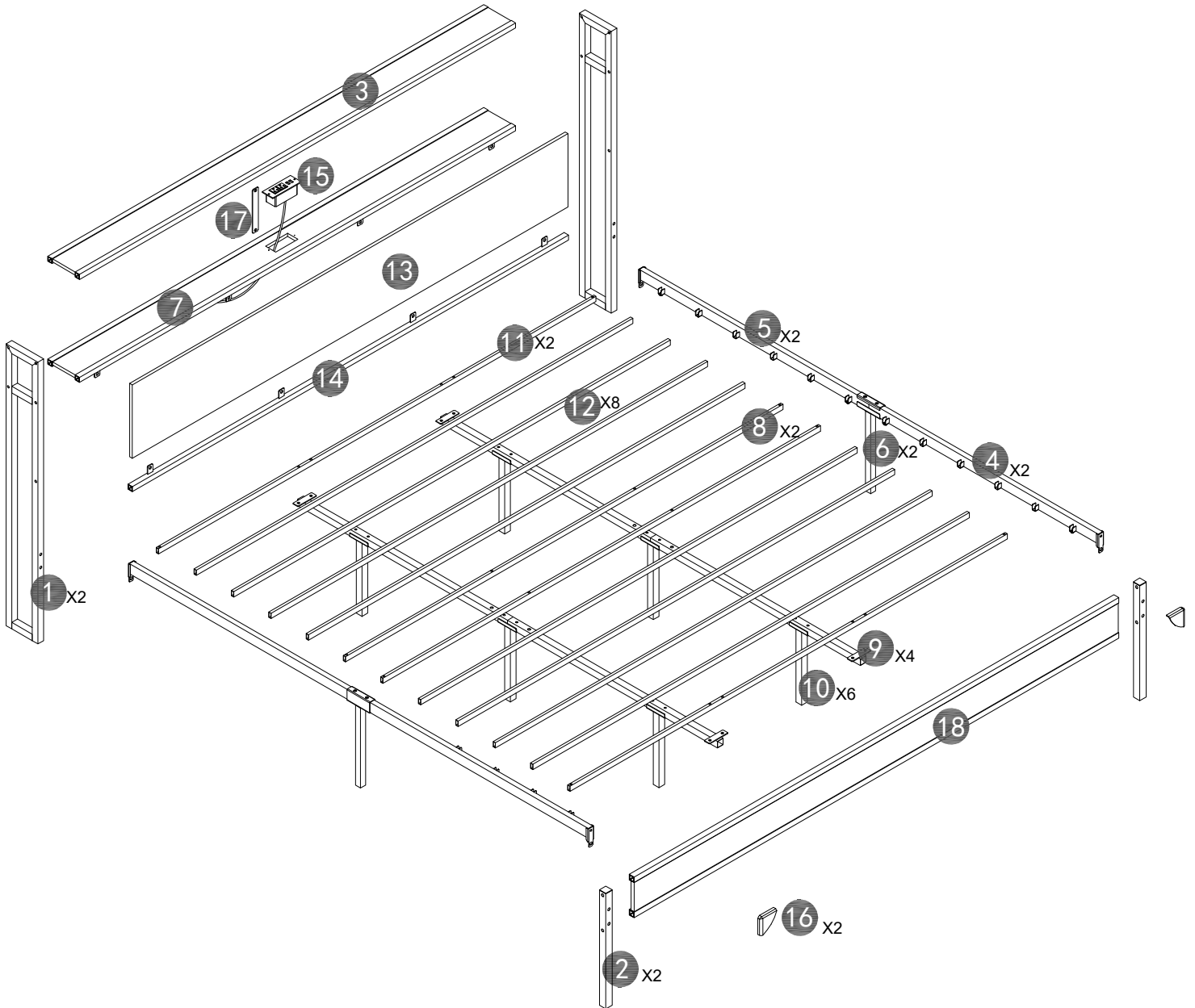
**Note:**

1. Should be assembled on flat ground to keep balance.
2. Before completing the installation, do not tighten the screws.





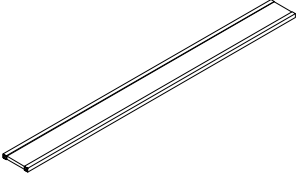
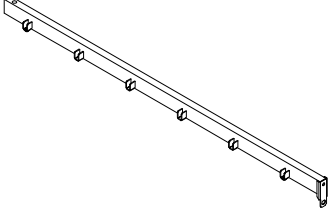
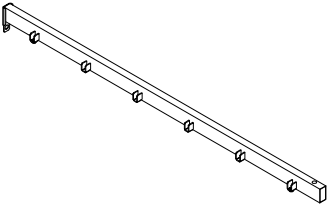
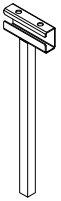
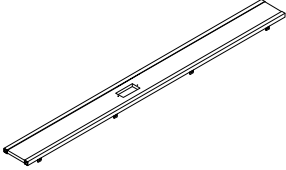
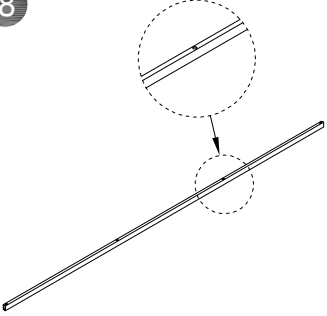
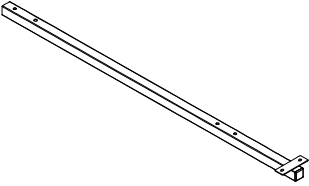
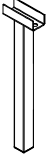
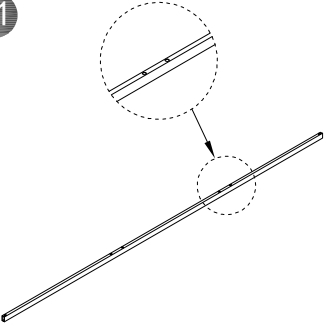
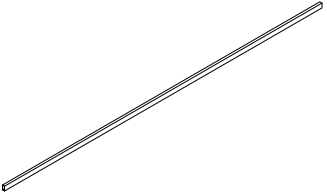
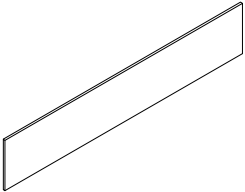
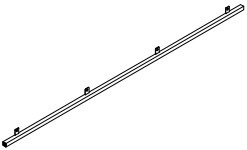
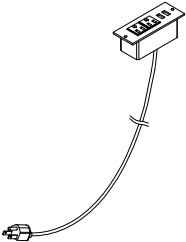
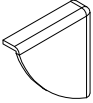

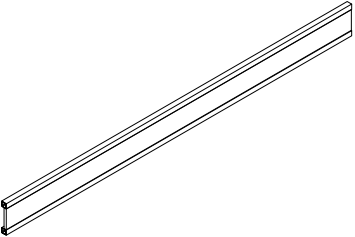
For easier and better assembly, **2** or more adults are required.

# ASSEMBLY INSTRUCTIONS




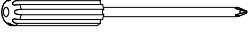
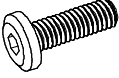
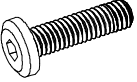
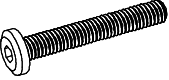
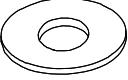
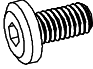


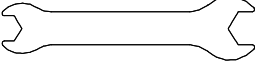
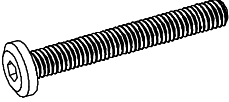
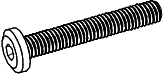
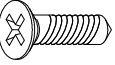
# ASSEMBLY INSTRUCTIONS

## PARTS LIST

<p>1</p>  <p>2PCS</p>	<p>2</p>  <p>2PCS</p>	<p>3</p>  <p>1PC</p>	<p>4</p>  <p>2PCS</p>
<p>5</p>  <p>2PCS</p>	<p>6</p>  <p>2PCS</p>	<p>7</p>  <p>1PC</p>	<p>8</p>  <p>2PCS</p>
<p>9</p>  <p>4PCS</p>	<p>10</p>  <p>6PCS</p>	<p>11</p>  <p>2PCS</p>	<p>12</p>  <p>8PCS</p>
<p>13</p>  <p>1PC</p>	<p>14</p>  <p>1PC</p>	<p>15</p>  <p>1PC</p>	<p>16</p>  <p>2PCS</p>
<p>17</p>  <p>1PC</p>	<p>18</p>  <p>1PC</p>		

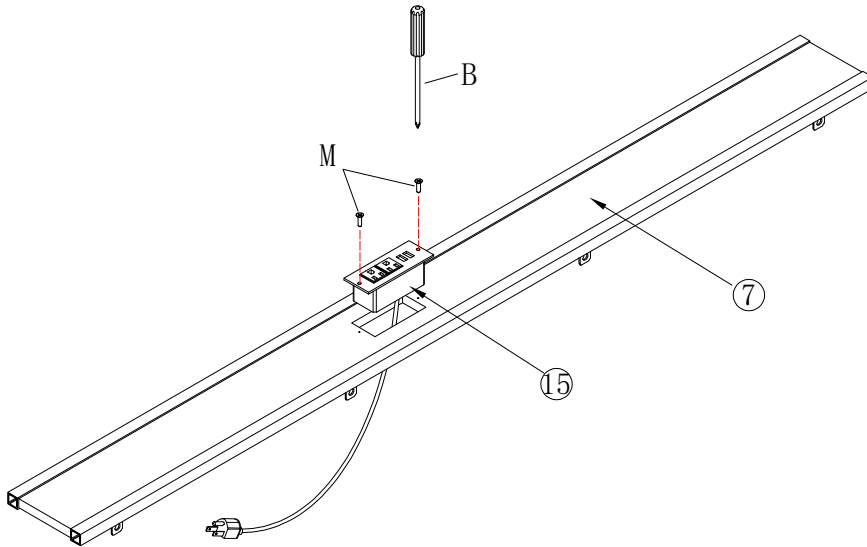
# ASSEMBLY INSTRUCTIONS



## HARDWARE LIST

<p><b>A</b></p>  <p>M8</p> <p>8PCS</p>	<p><b>B</b></p>  <p>1PC</p>	<p><b>C</b></p>  <p>M5*25</p> <p>8PCS</p>	<p><b>D</b></p>  <p>M6*35</p> <p>24PCS</p>
<p><b>E</b></p>  <p>M8*40</p> <p>8PCS</p>	<p><b>F</b></p>  <p>∅8</p> <p>8PCS</p>	<p><b>G</b></p>  <p>M6*12</p> <p>10PCS</p>	<p><b>H</b></p>  <p>∅6</p> <p>14PCS</p>
<p><b>I</b></p>  <p>S4</p> <p>1PC</p>	<p><b>J</b></p>  <p>S10, S13</p> <p>1PC</p>	<p><b>K</b></p>  <p>M8*55</p> <p>4PCS</p>	<p><b>L</b></p>  <p>M6*45</p> <p>14PCS</p>
<p><b>M</b></p>  <p>M3*12</p> <p>2PCS</p>			

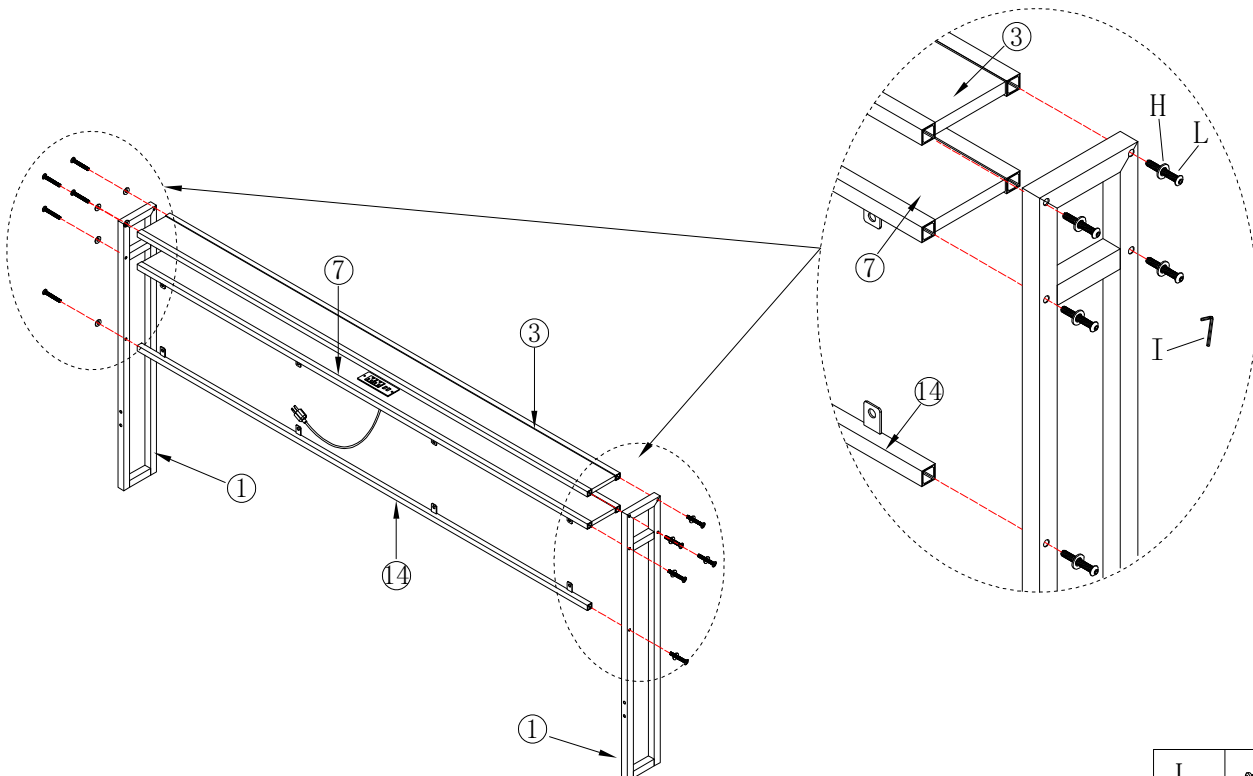
# ASSEMBLY INSTRUCTIONS




1



M		2PCS
B		

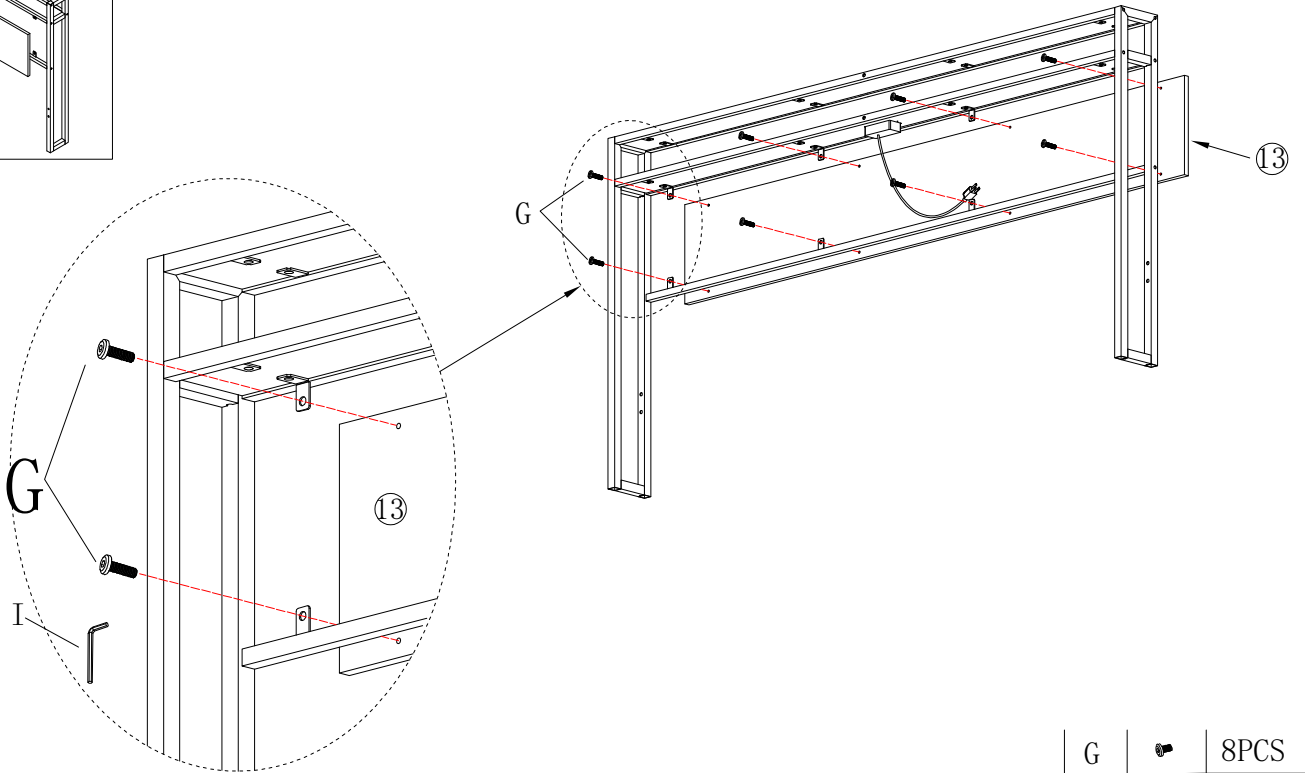
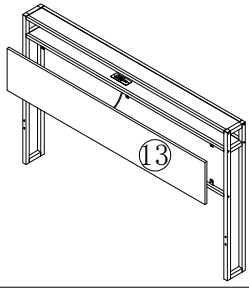
2





L		10PCS
H		10PCS
I		

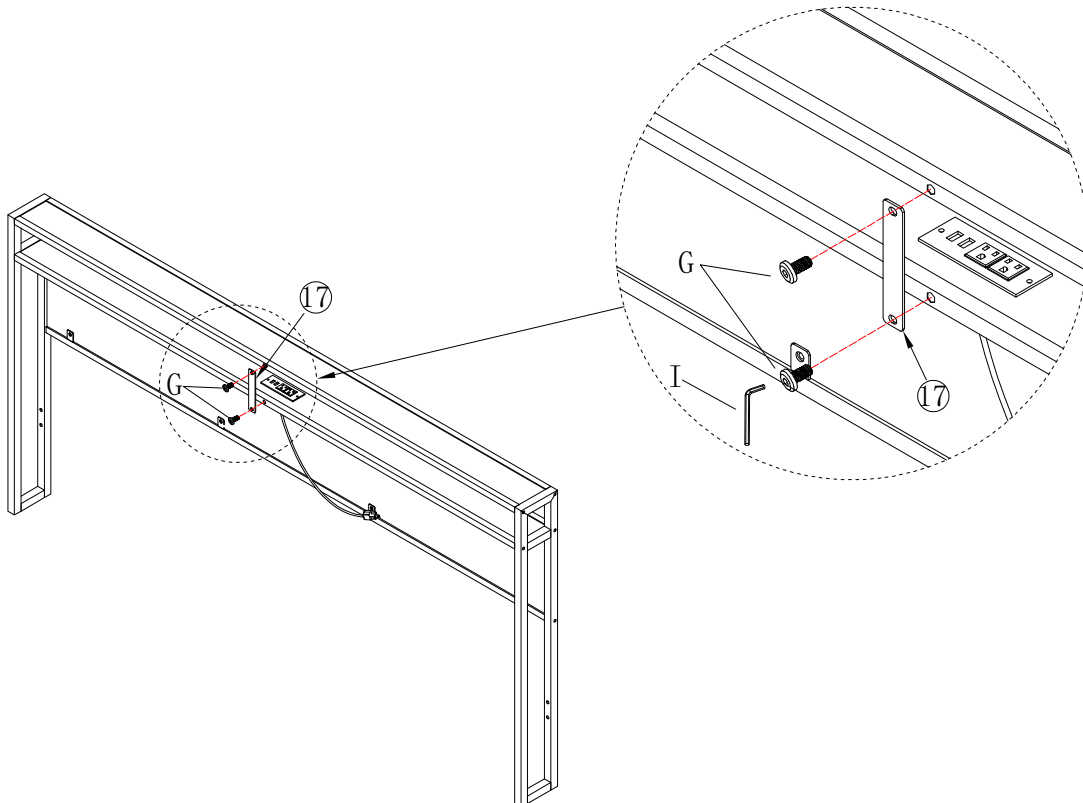
# ASSEMBLY INSTRUCTIONS



3



G		8PCS
I		

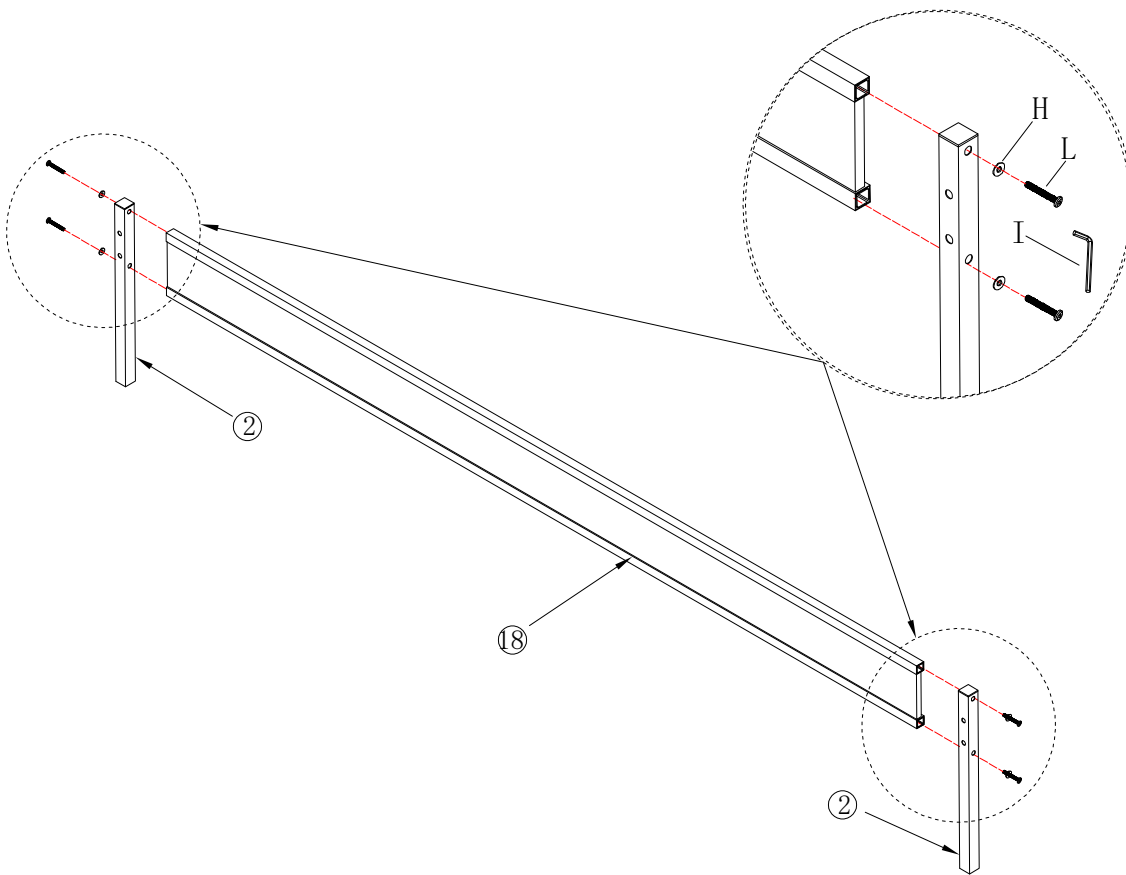
4






G		2PCS
I		

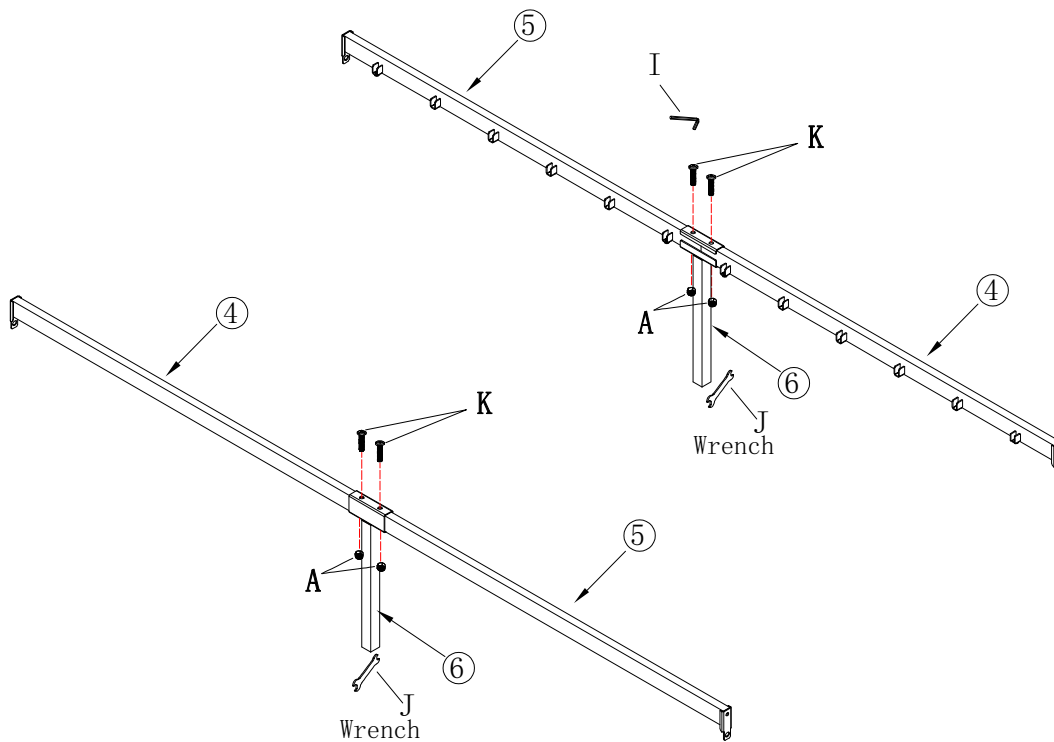
# ASSEMBLY INSTRUCTIONS





5



L		4PCS
H		4PCS
I		

6

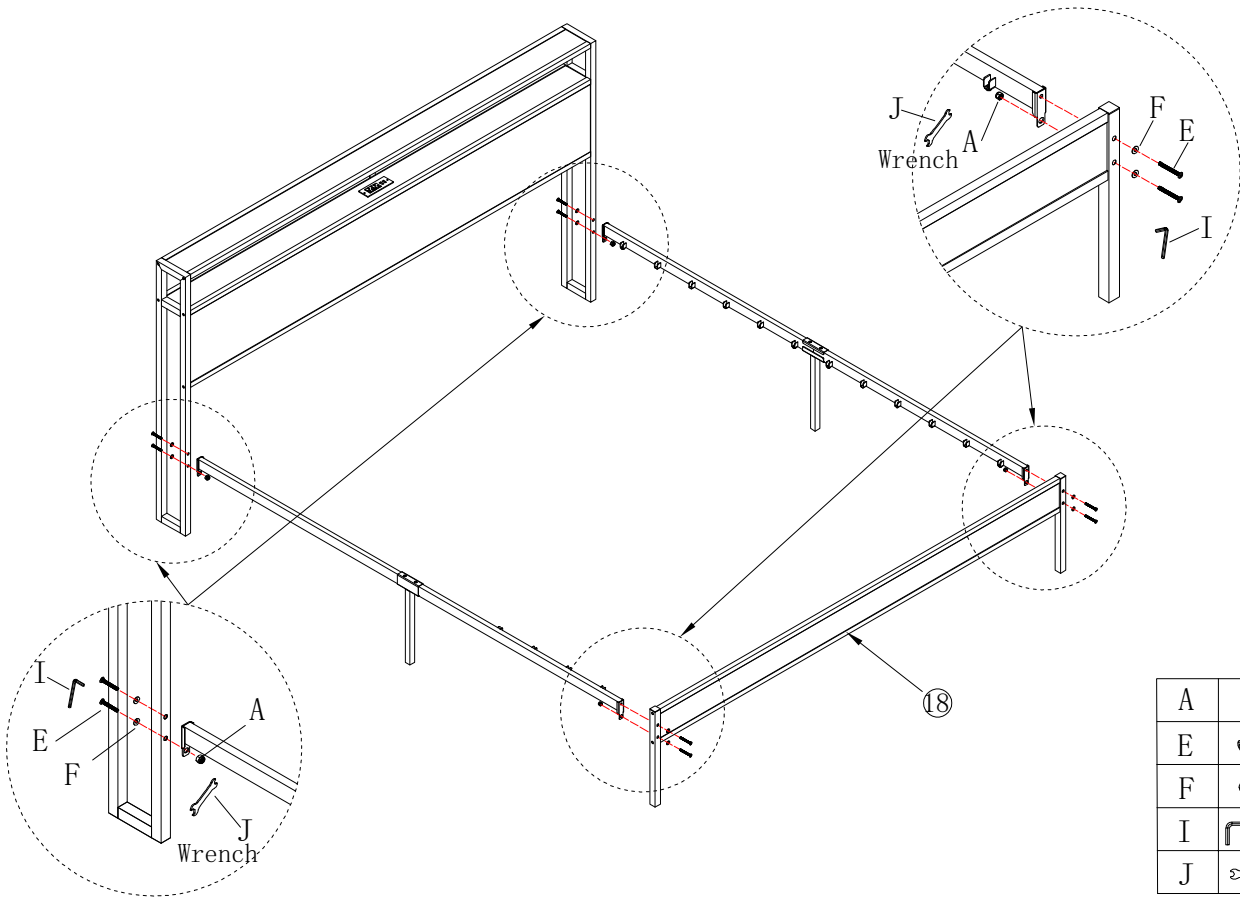


K		4PCS
A		4PCS
I		
J		



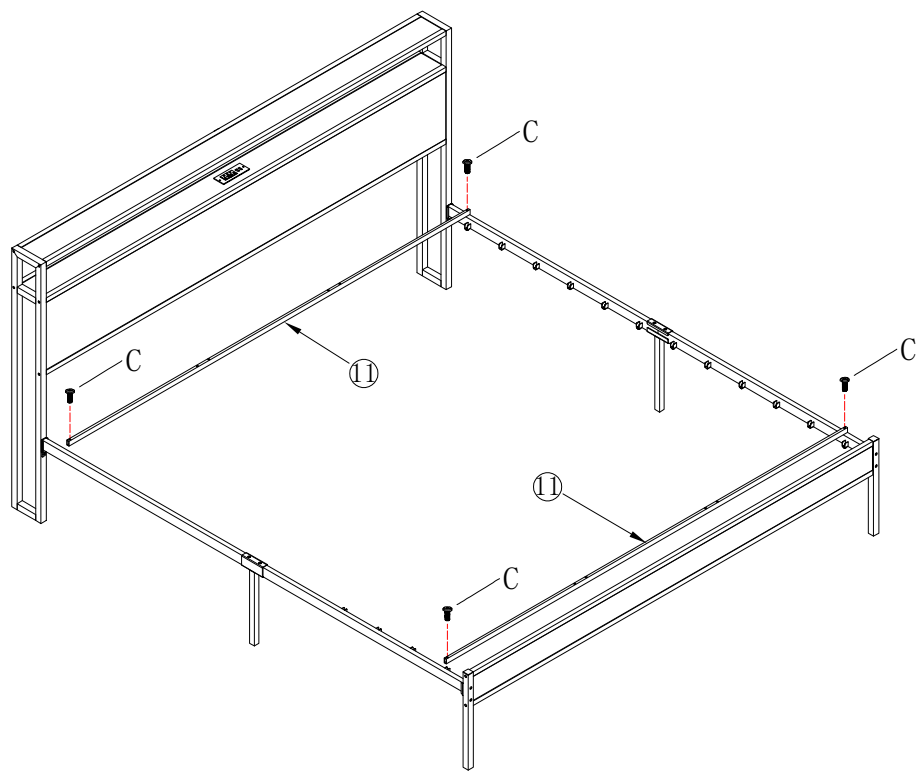
# ASSEMBLY INSTRUCTIONS

7



A		4PCS
E		8PCS
F		8PCS
I		
J		

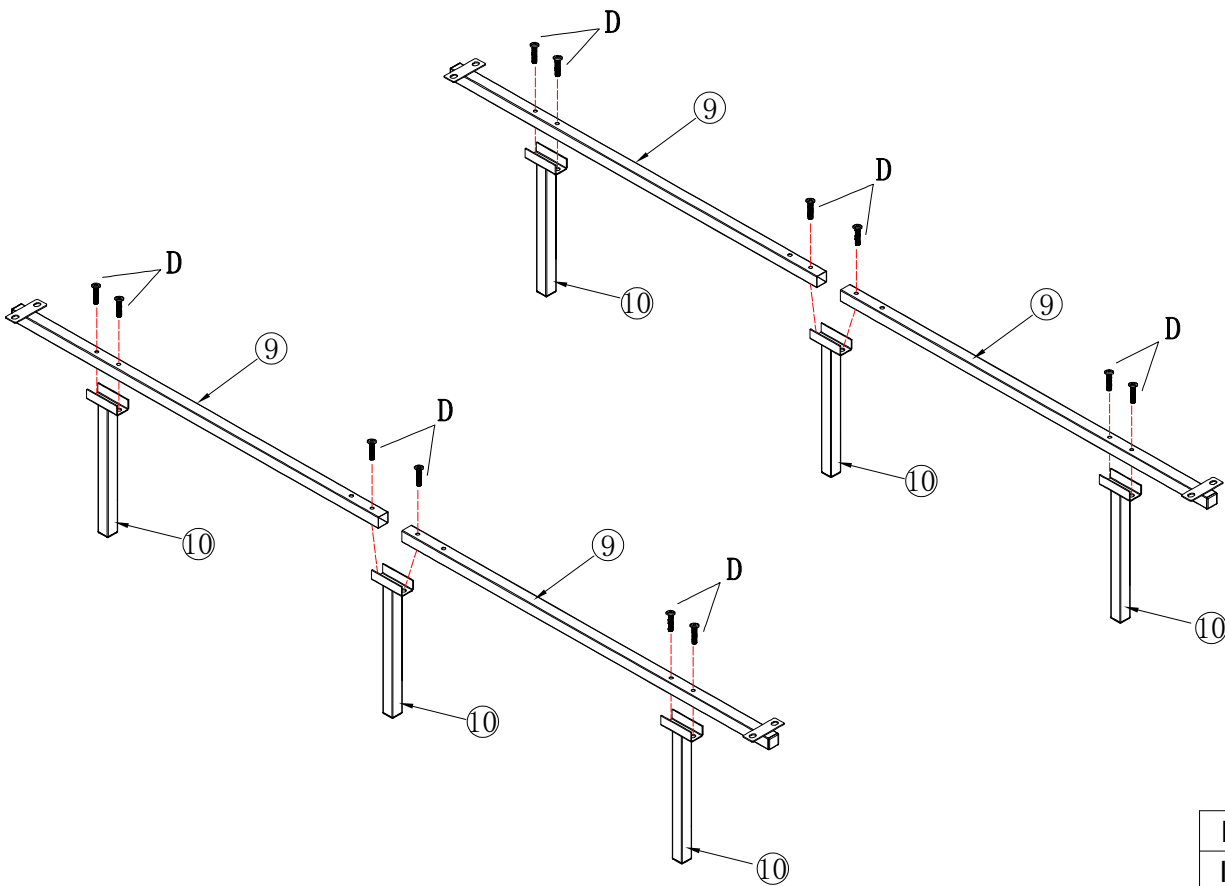
8





C		4PCS
I		

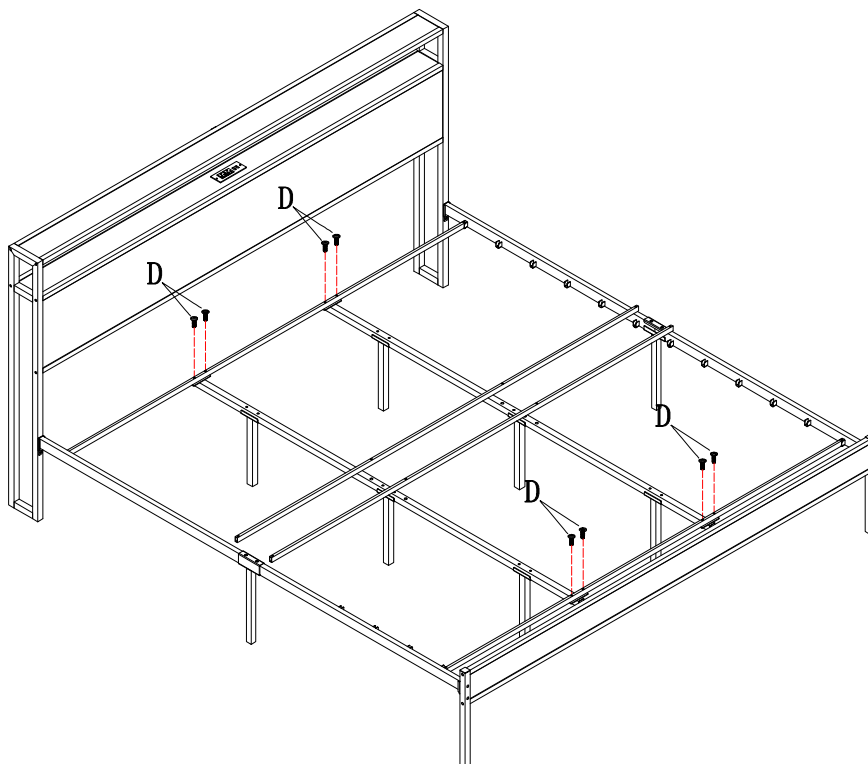
# ASSEMBLY INSTRUCTIONS


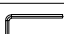
9



D		12PCS
I		

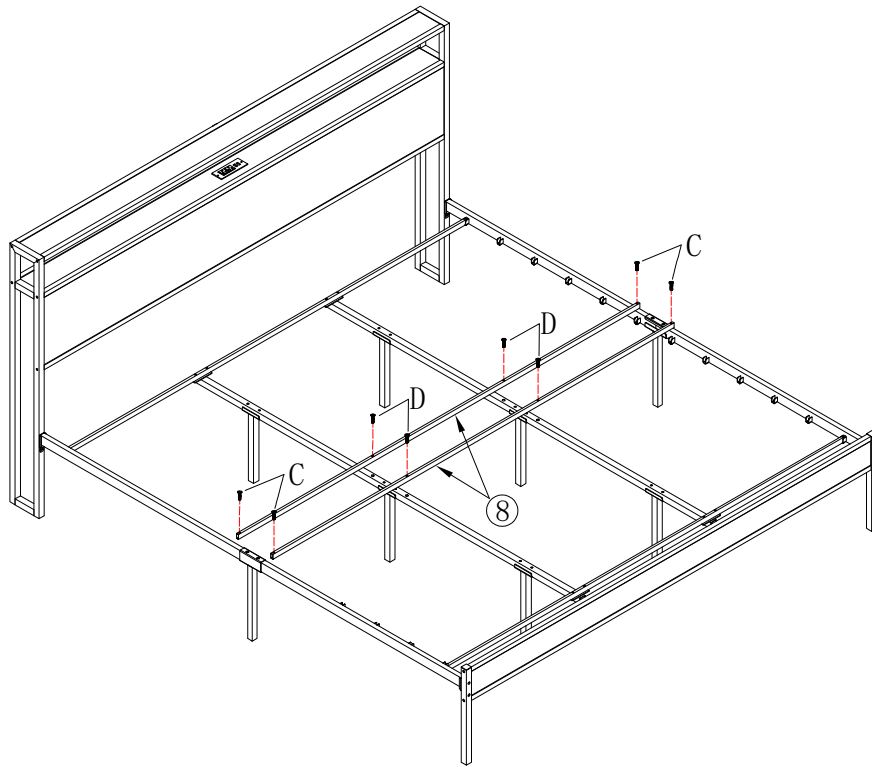
10






D		8PCS
I		

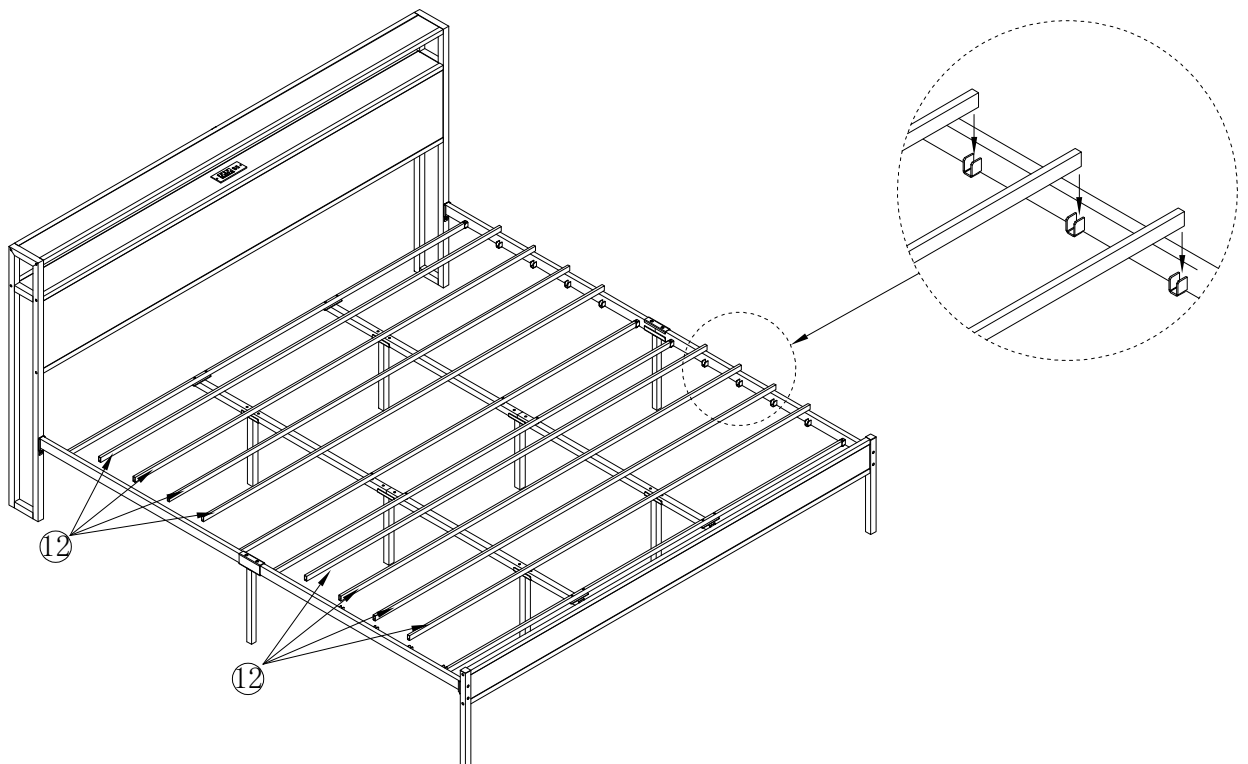
# ASSEMBLY INSTRUCTIONS

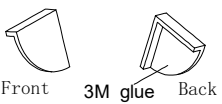
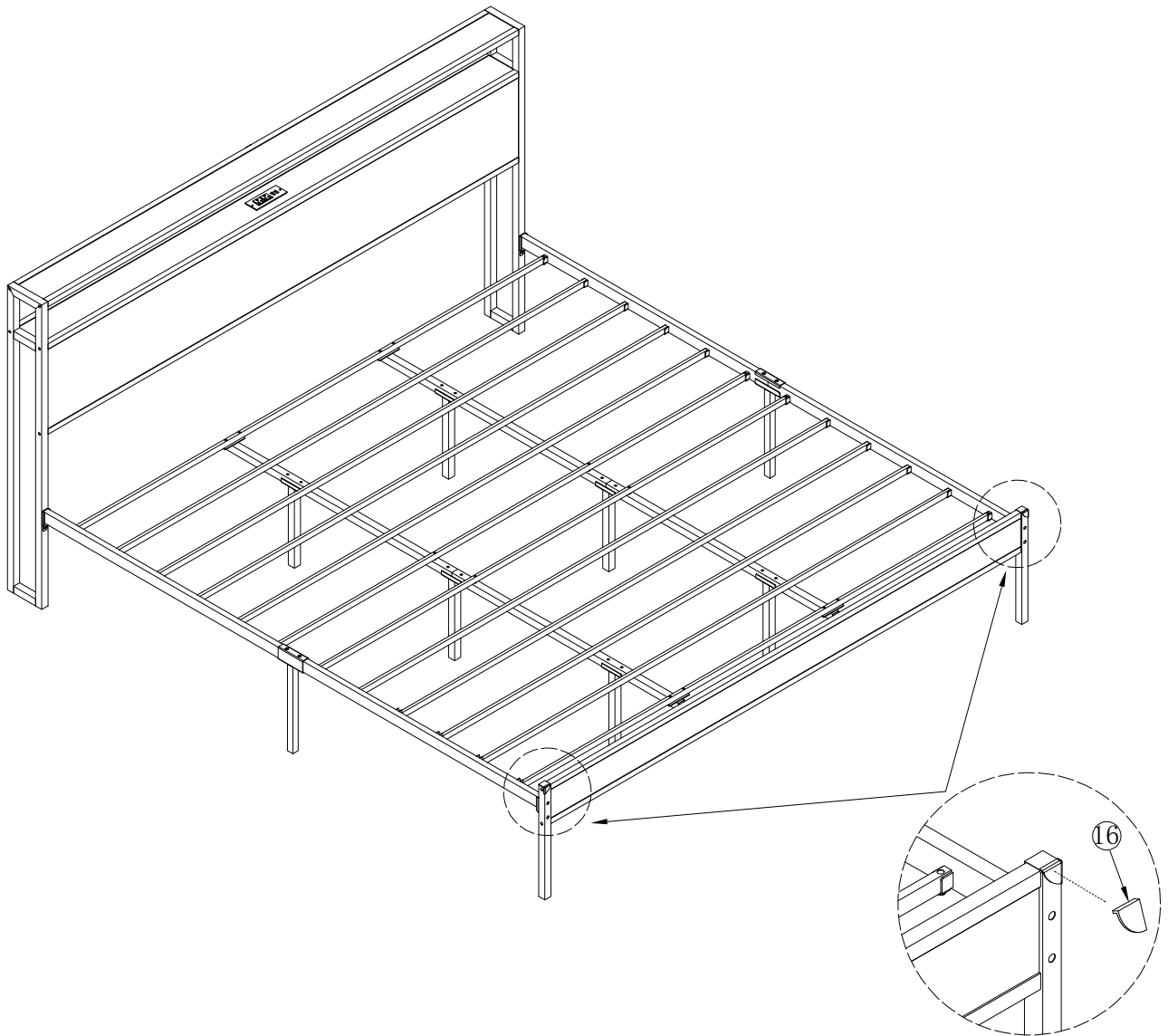
11



C		4PCS
D		4PCS
I		

12





Turn over the rubber anti-collision block, tear off the paper, and stick 3M glue on the foot of the bed.