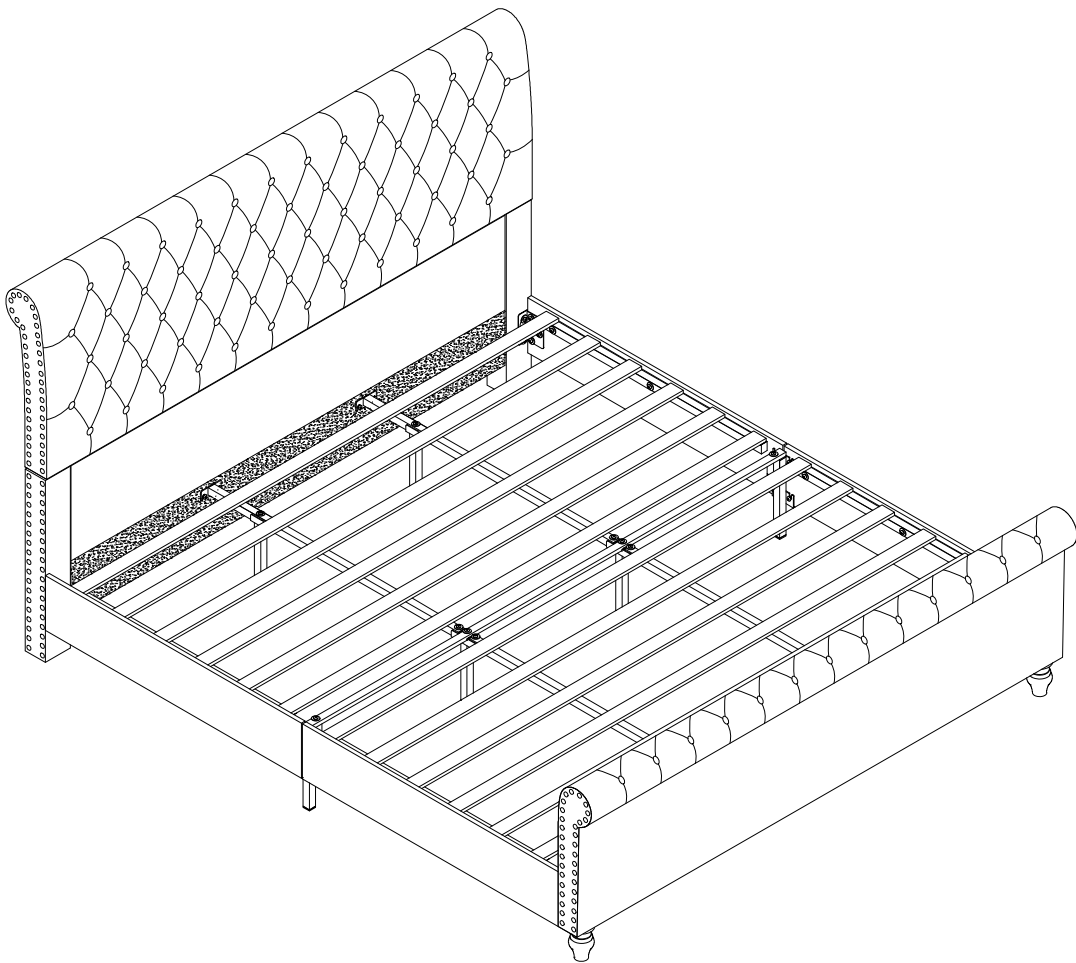


Upholstered Platform Bed with Tufted Wingback Headboard(Y2236-K)



Friendly Customer Service

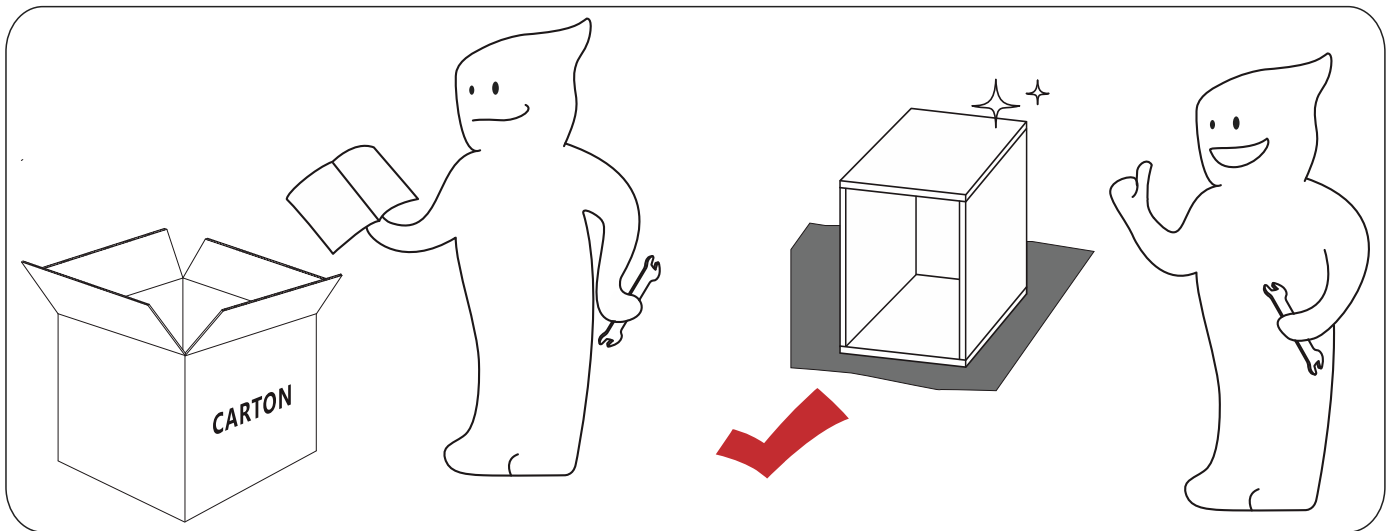
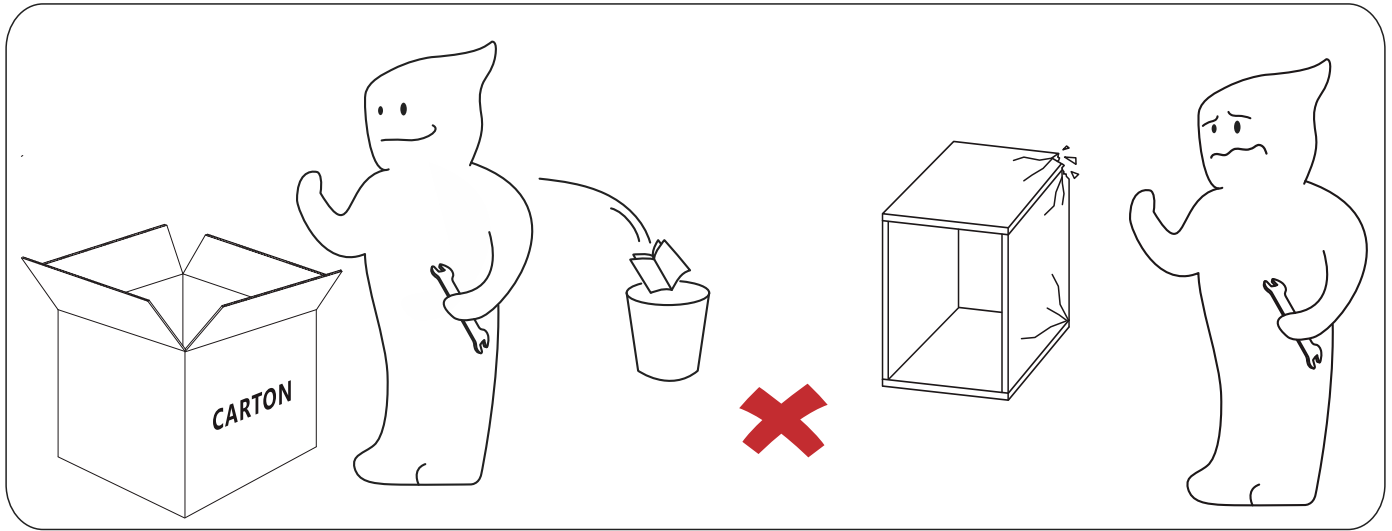
Satisfaction Guarantees: Any problems with assembly, quality, or return, please feel free to contact us directly.

Contact us

E-Mail: support@jocisland.com (Get efficient feedback within 12 hours)



Please follow the instruction manuals and use a pad to protect the product during your assembly.



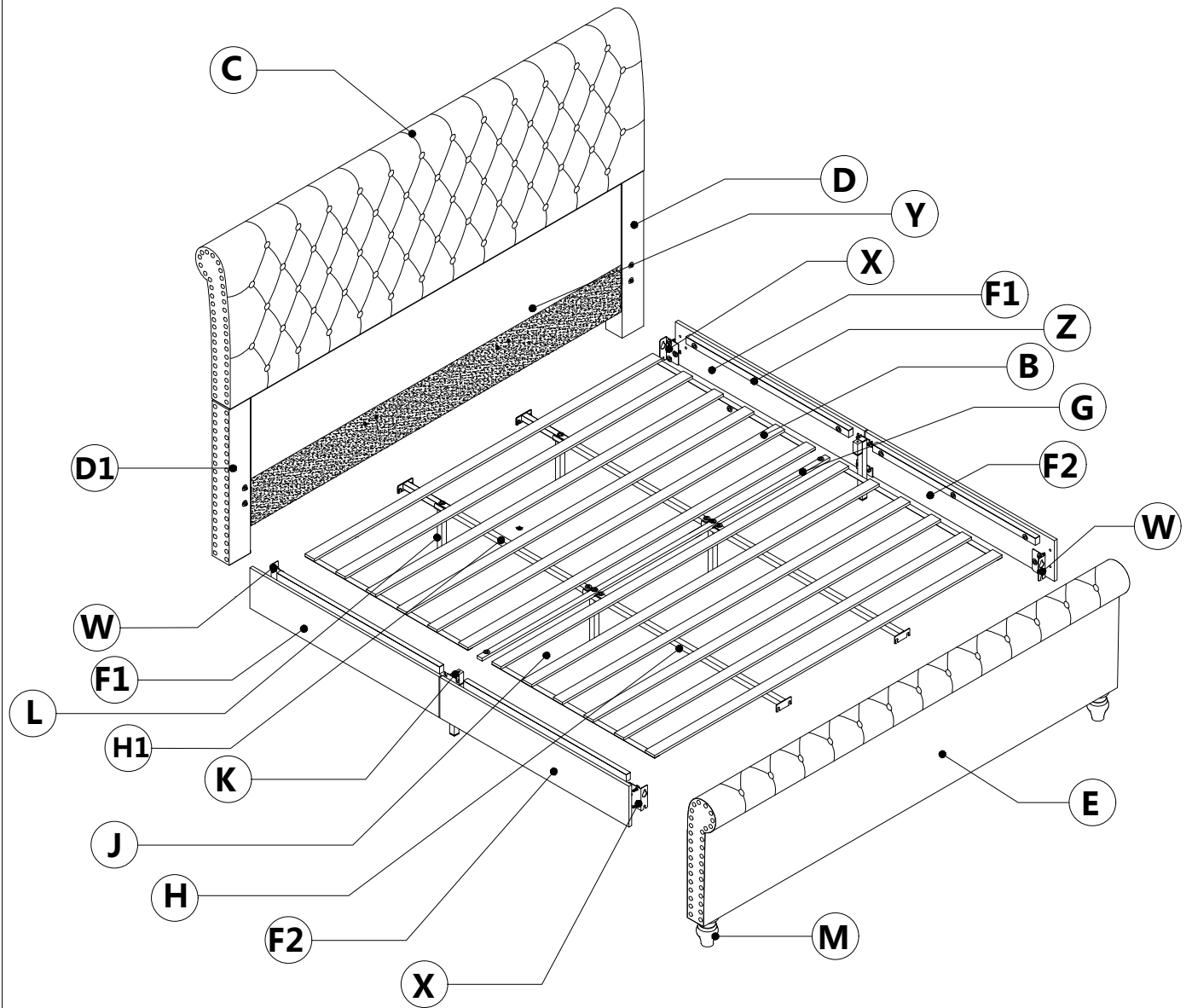
Note:

1. Should be assembled on flat ground to keep balance.
2. Before completing the installation, do not tighten the screws.



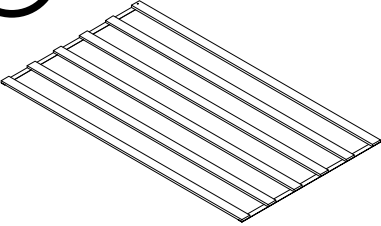
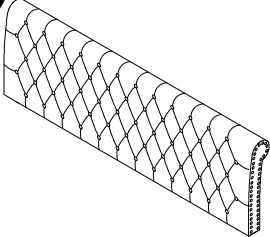


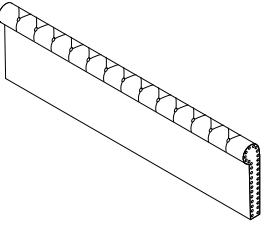
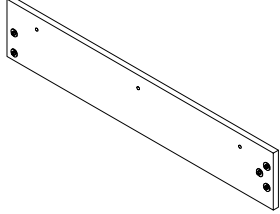
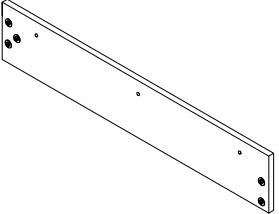
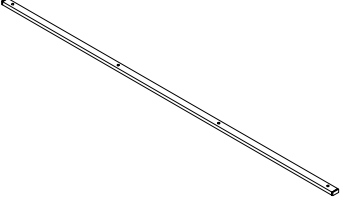
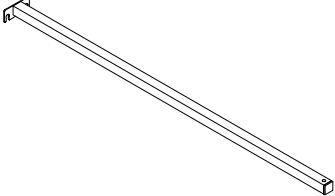
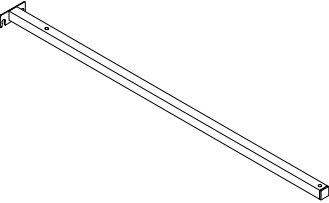
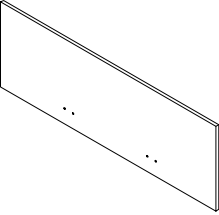
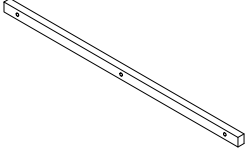
For easier and better assembly, **2** or more adults are required.

ASSEMBLY INSTRUCTIONS



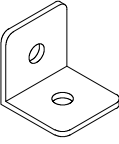
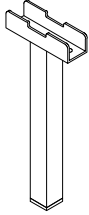
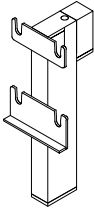
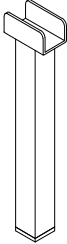
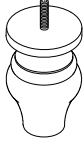
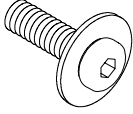
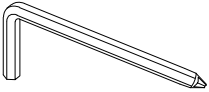
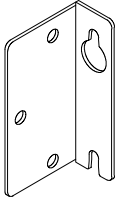
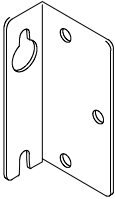
ASSEMBLY INSTRUCTIONS

BED FRAME PARTS LIST

<p>(B)</p>  <p>2pcs</p>	<p>(C)</p>  <p>1pc</p>	<p>(D)</p>  <p>1pc</p>
<p>(D1)</p>  <p>1pc</p>	<p>(E)</p>  <p>1pc</p>	<p>(F1)</p>  <p>2pcs</p>
<p>(F2)</p>  <p>2pcs</p>	<p>(G)</p>  <p>1pc</p>	<p>(H)</p>  <p>2pcs</p>
<p>(H1)</p>  <p>2pcs</p>	<p>(Y)</p>  <p>1pc</p>	<p>(Z)</p>  <p>4pcs</p>

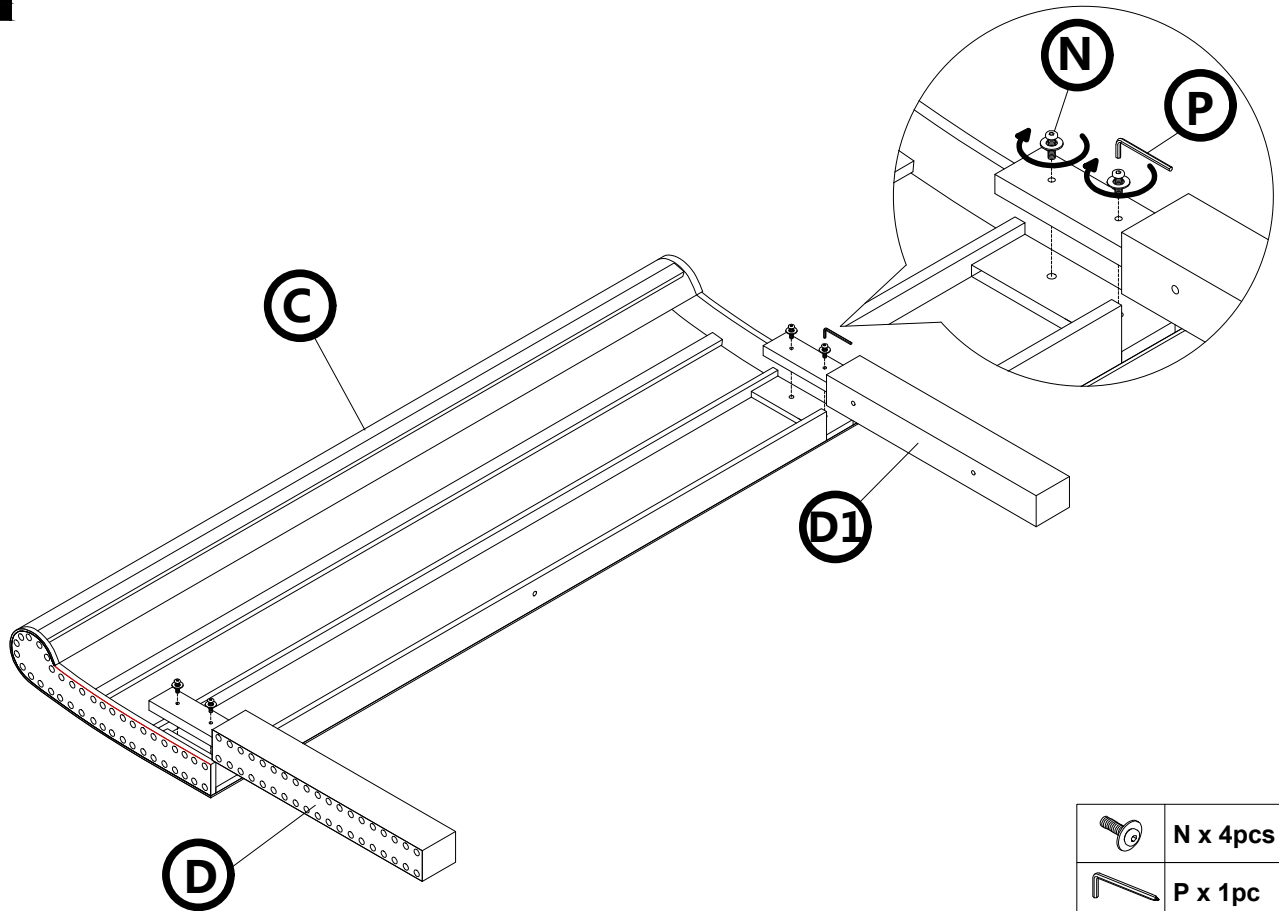
ASSEMBLY INSTRUCTIONS

FITTING PART LIST

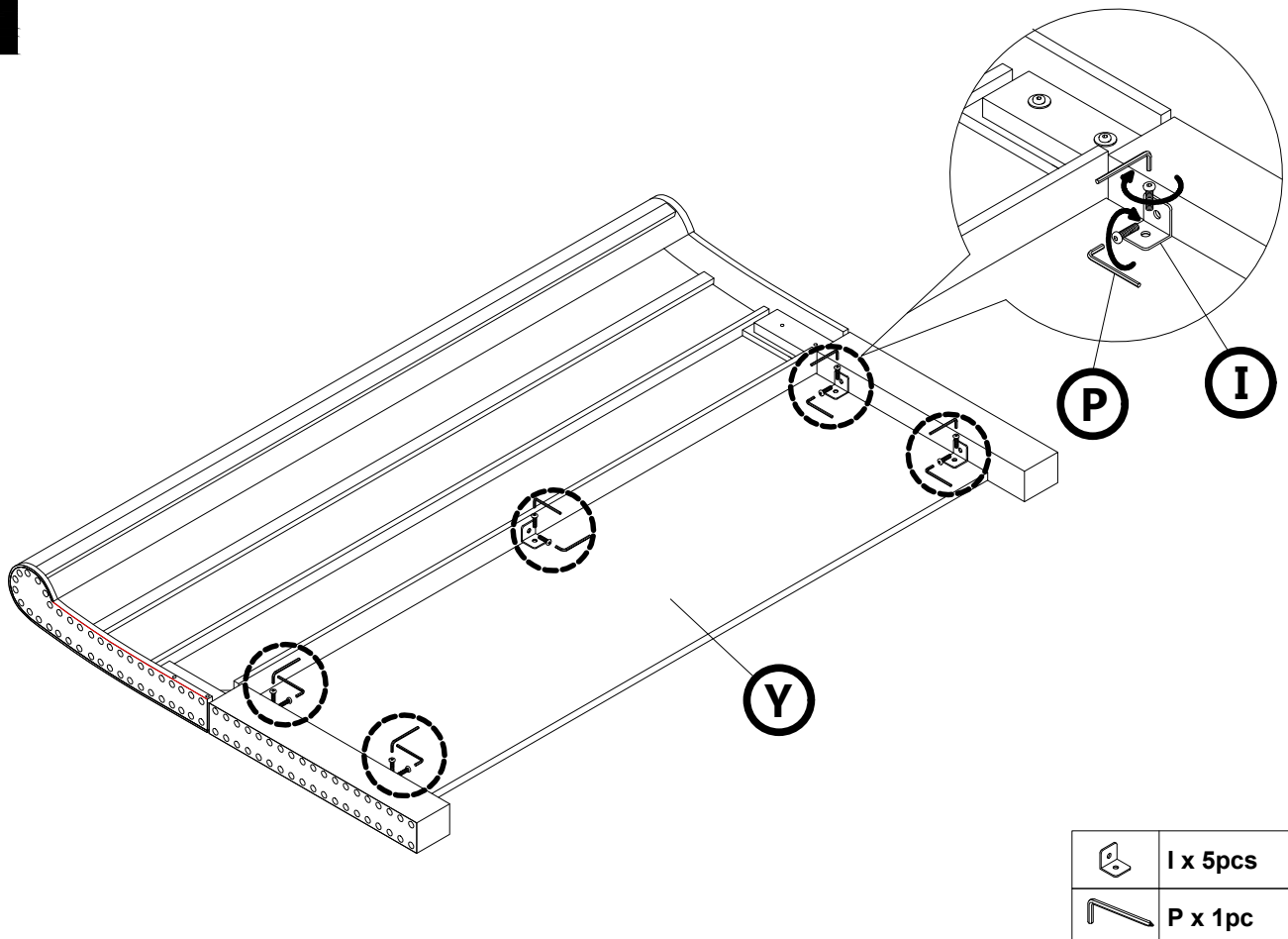
<p>I</p>  <p>5pcs</p>	<p>J</p>  <p>2pcs</p>	<p>K</p>  <p>2pcs</p>
<p>L</p>  <p>2pcs</p>	<p>M</p>  <p>2pcs</p>	<p>N</p>  <p>26pcs+1pc</p>
<p>P</p>  <p>1pc</p>	<p>W</p>  <p>2pcs</p>	<p>X</p>  <p>2pcs</p>

ASSEMBLY INSTRUCTIONS

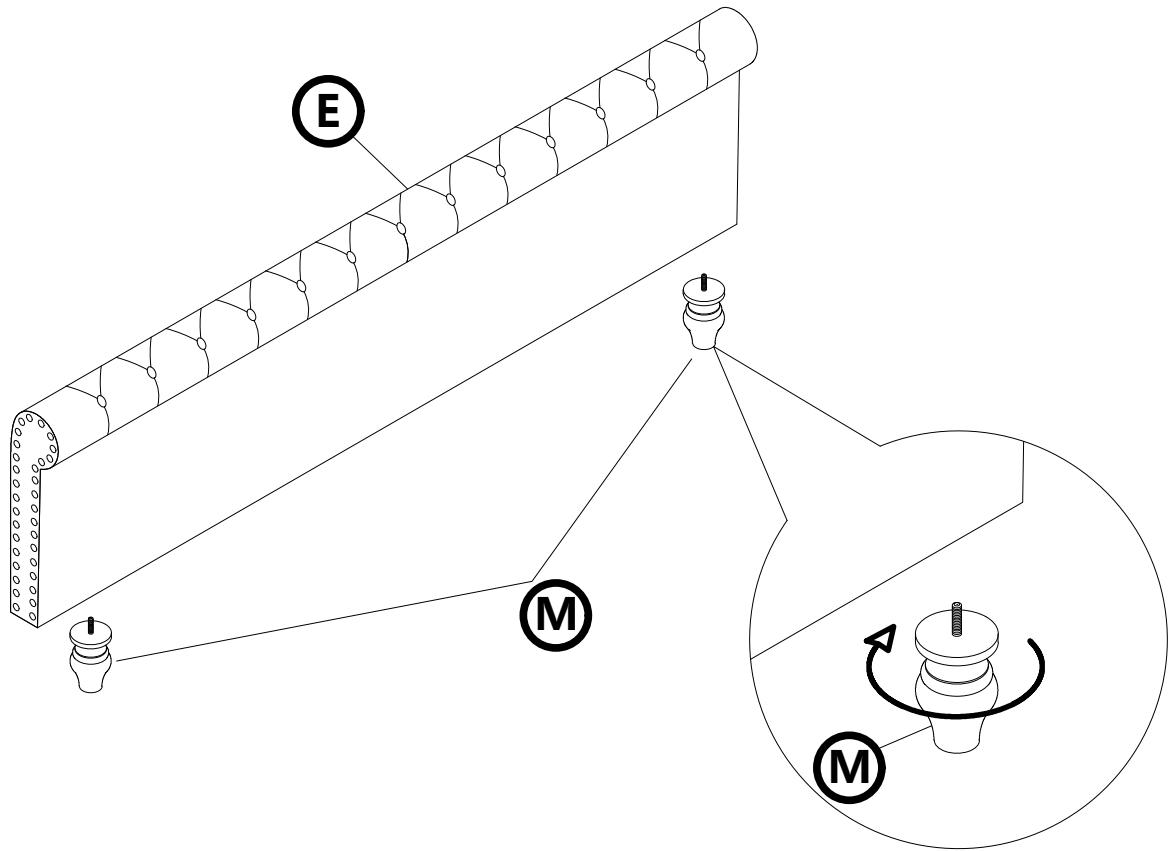
1



2

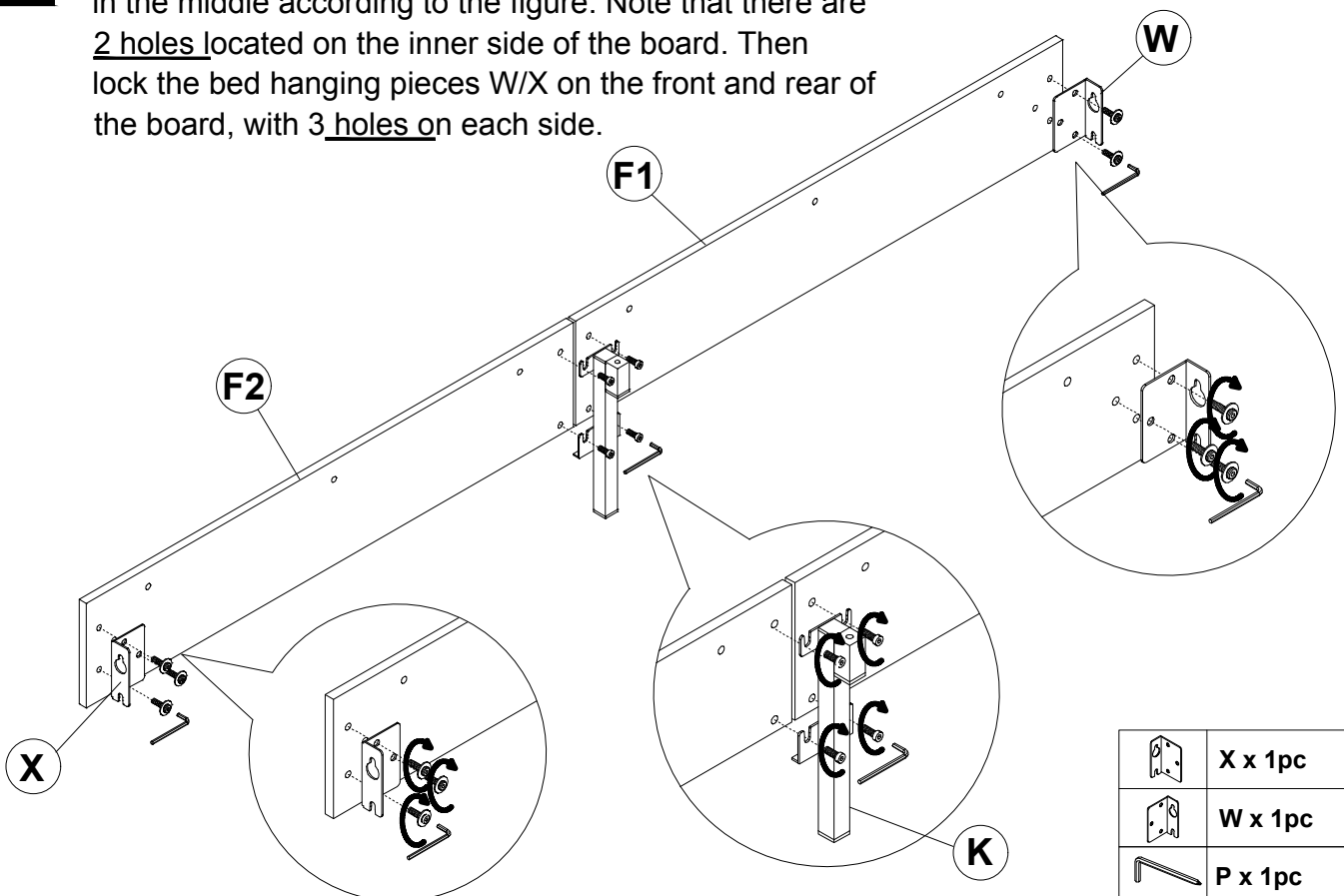





3



4

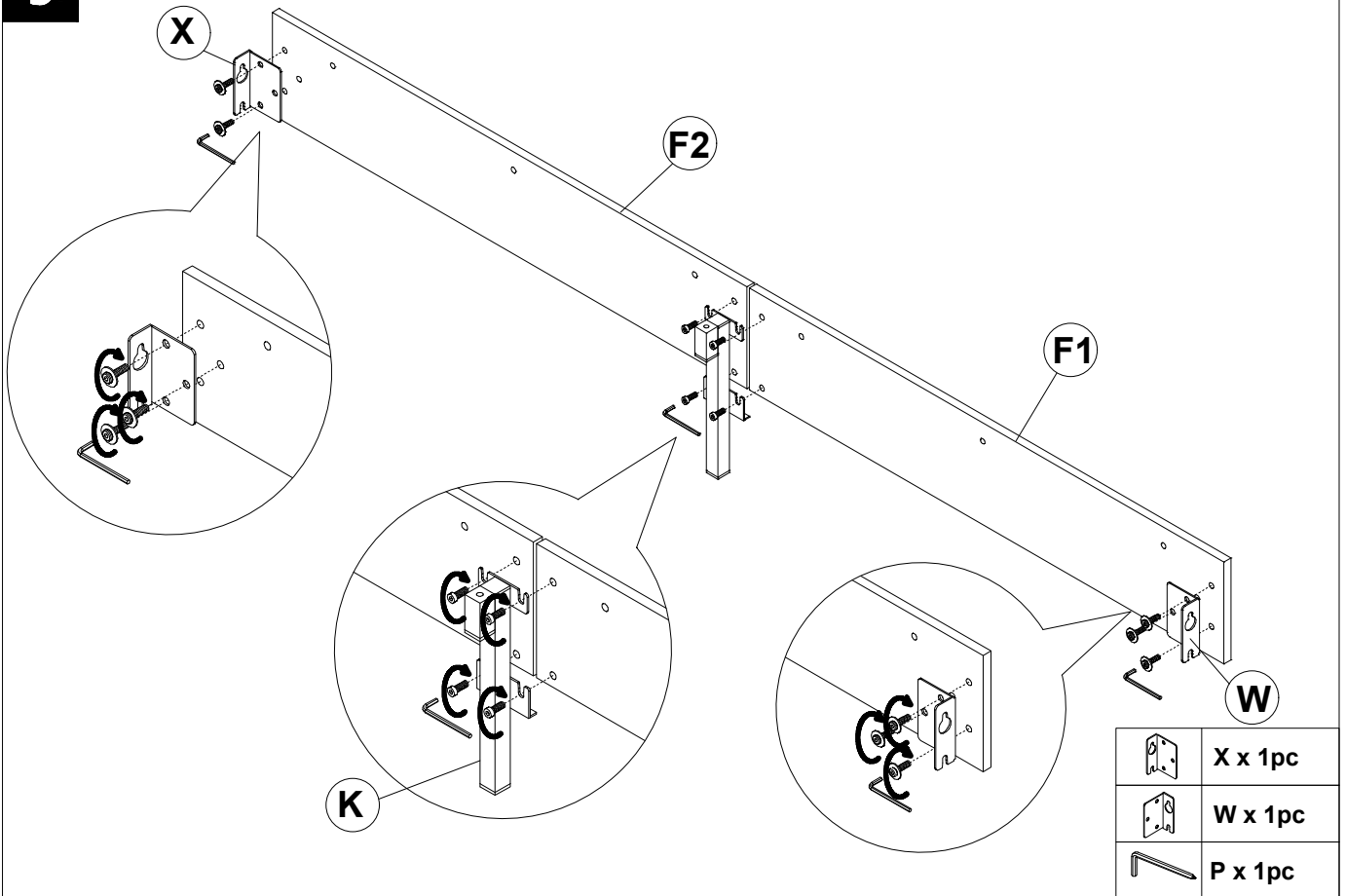
Take out parts F1 and F2, and lock the iron frame foot K in the middle according to the figure. Note that there are 2 holes located on the inner side of the board. Then lock the bed hanging pieces W/X on the front and rear of the board, with 3 holes on each side.



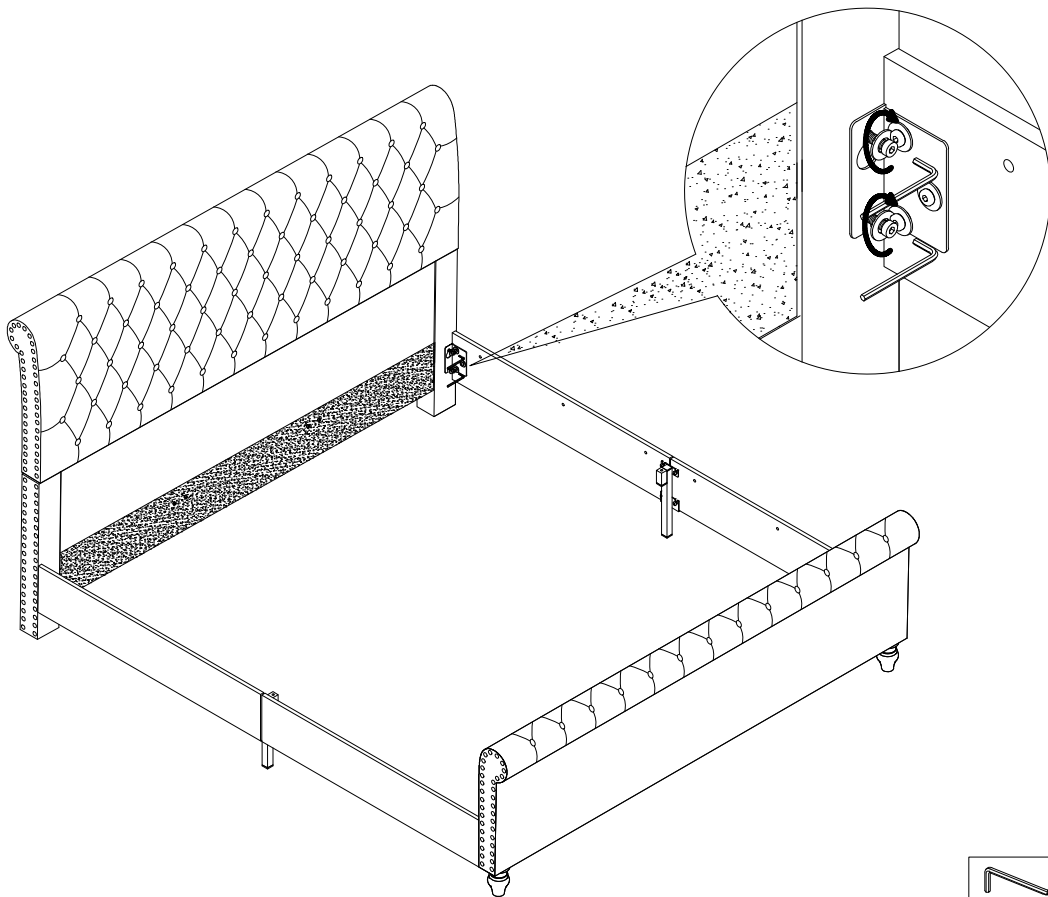
	X x 1pc
	W x 1pc
	P x 1pc

5

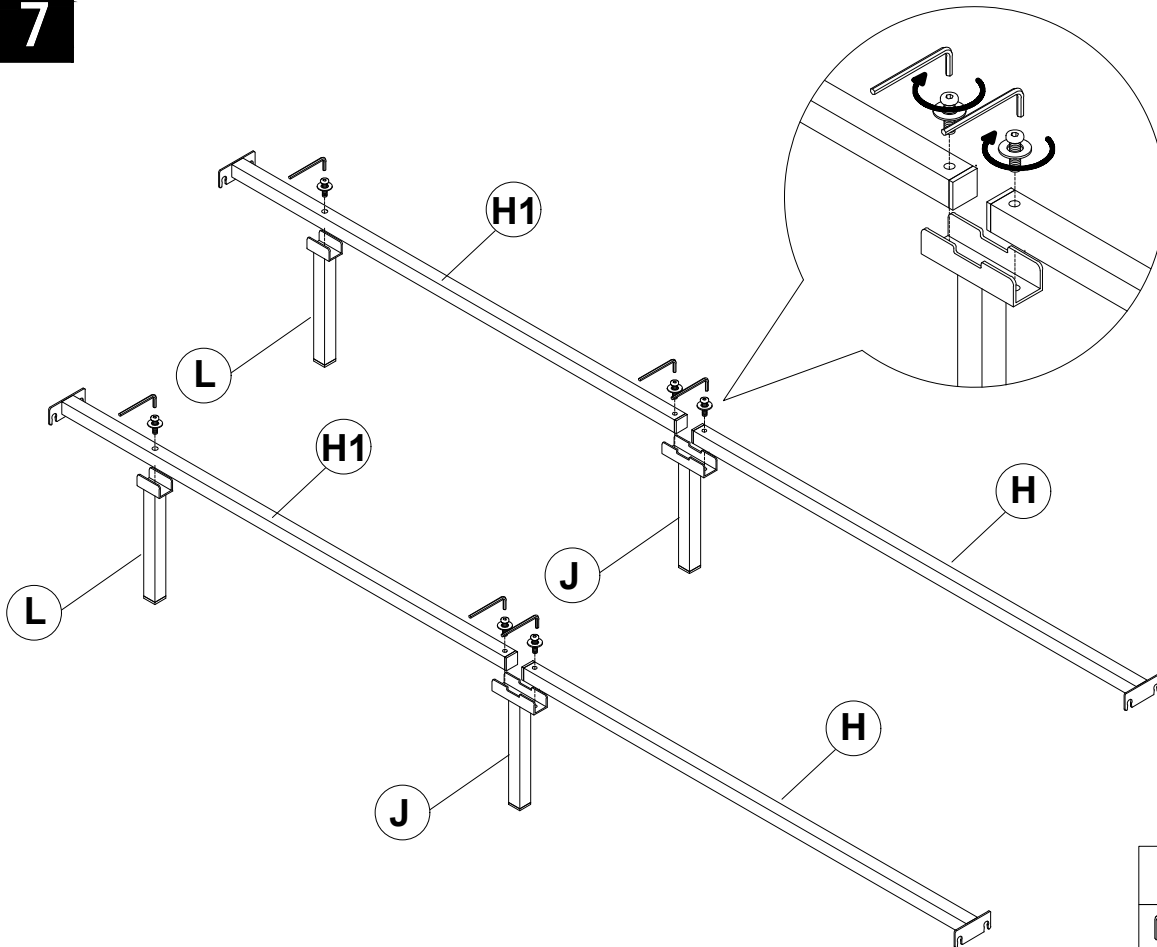
Same as Step 4


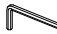


6



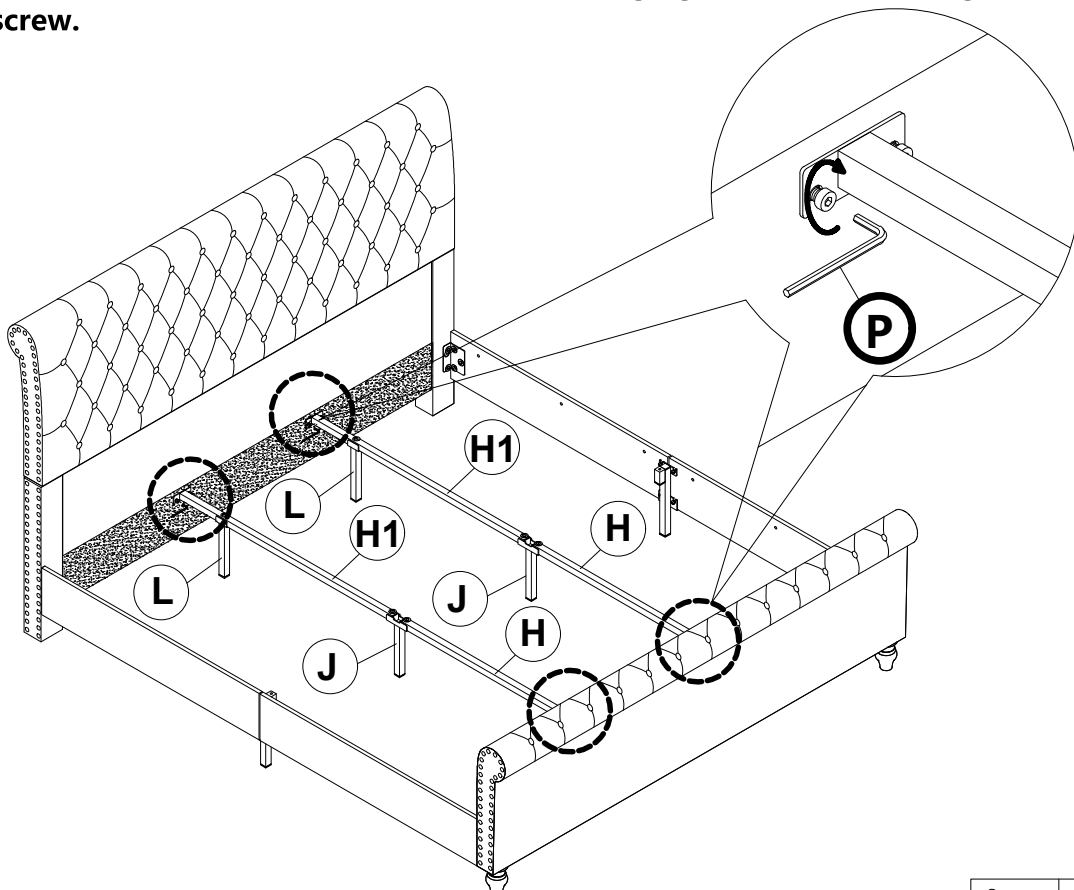
7




	N x 6pcs
	P x 1pc

8

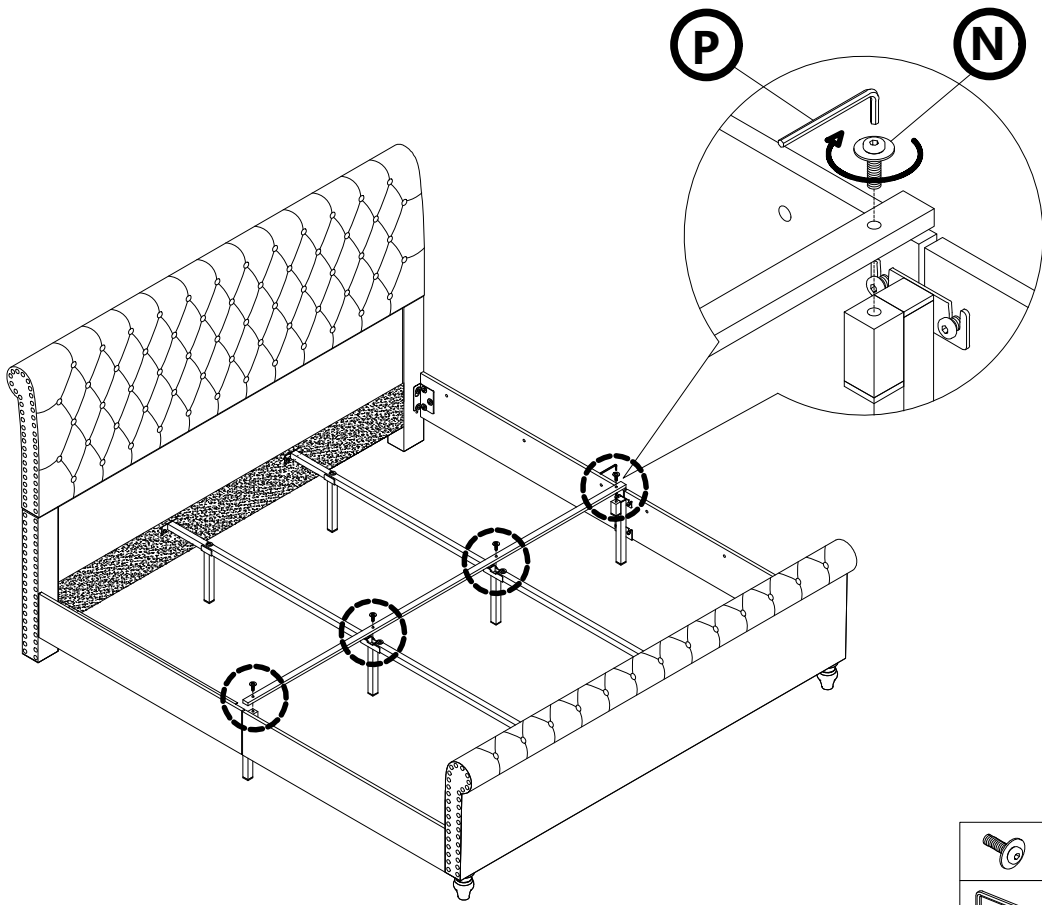
Loosen the screw of the middle of footboard, hanging the bracket and tight the innerscrew.





	P x 1pc
---	---------

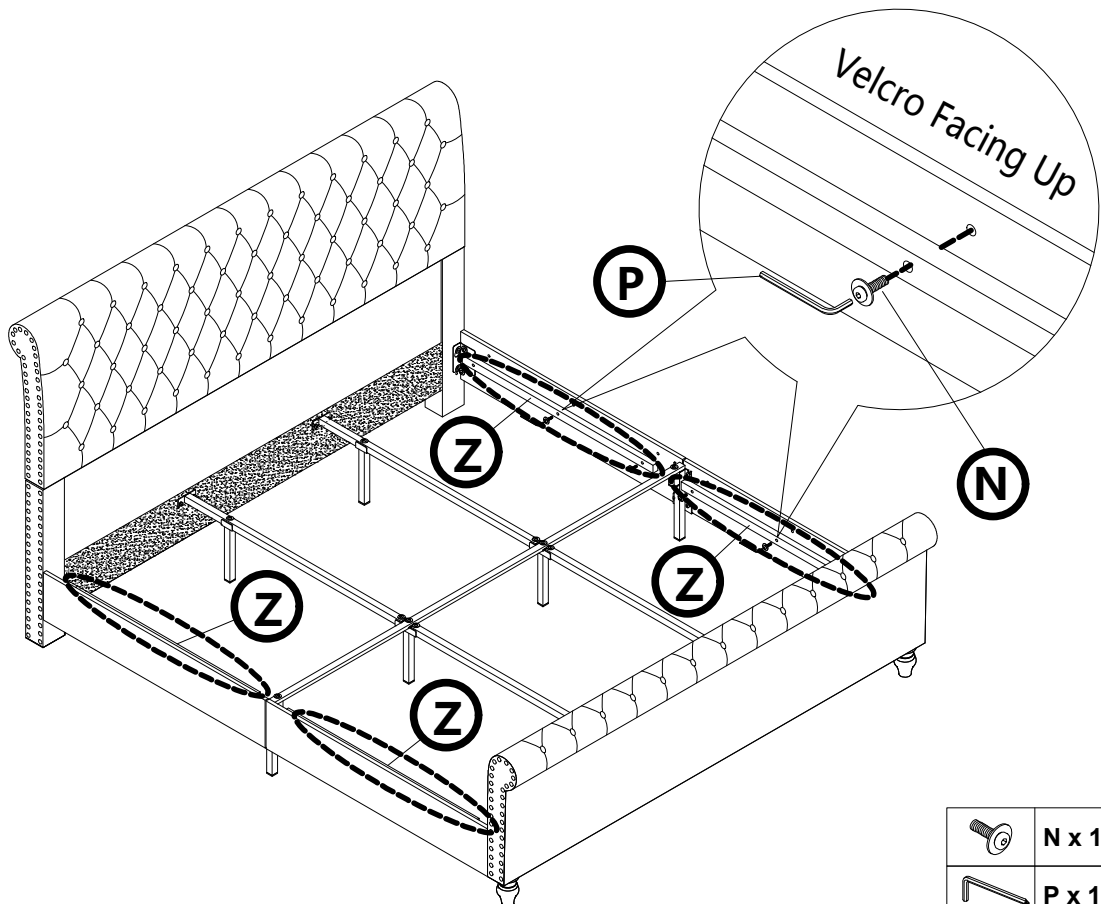
ASSEMBLY INSTRUCTIONS



9



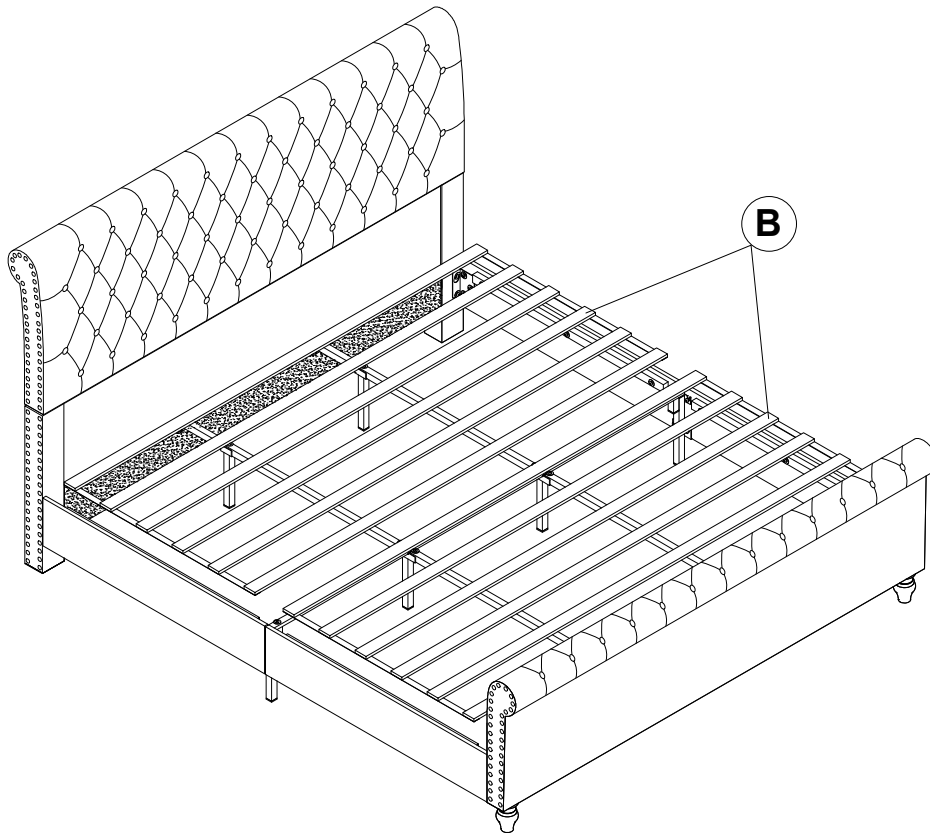
	N x 4pcs
	P x 1pc

10

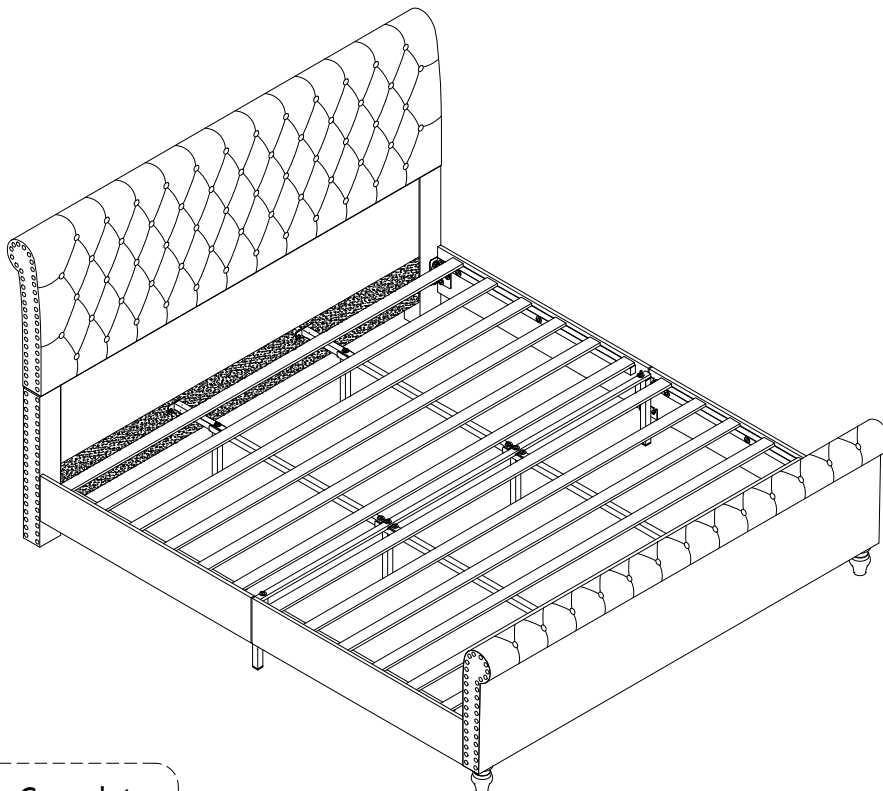


	N x 12pcs
	P x 1pc

11



12



Installation Complete