

Upholstered bed-F/Q  
Assembly Instructions



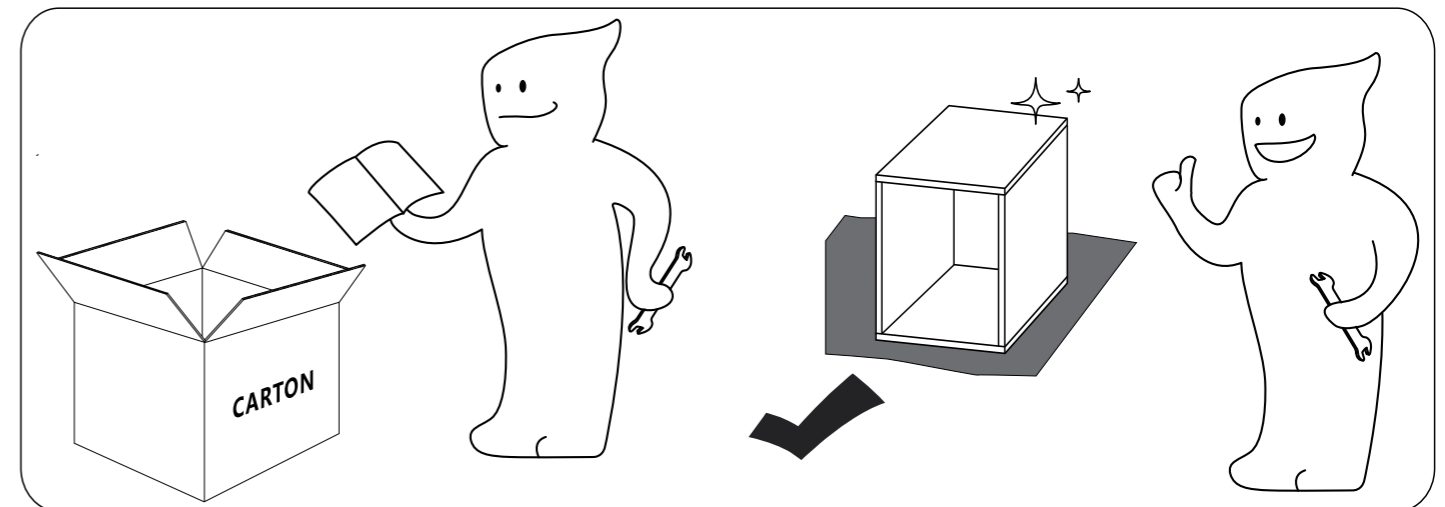
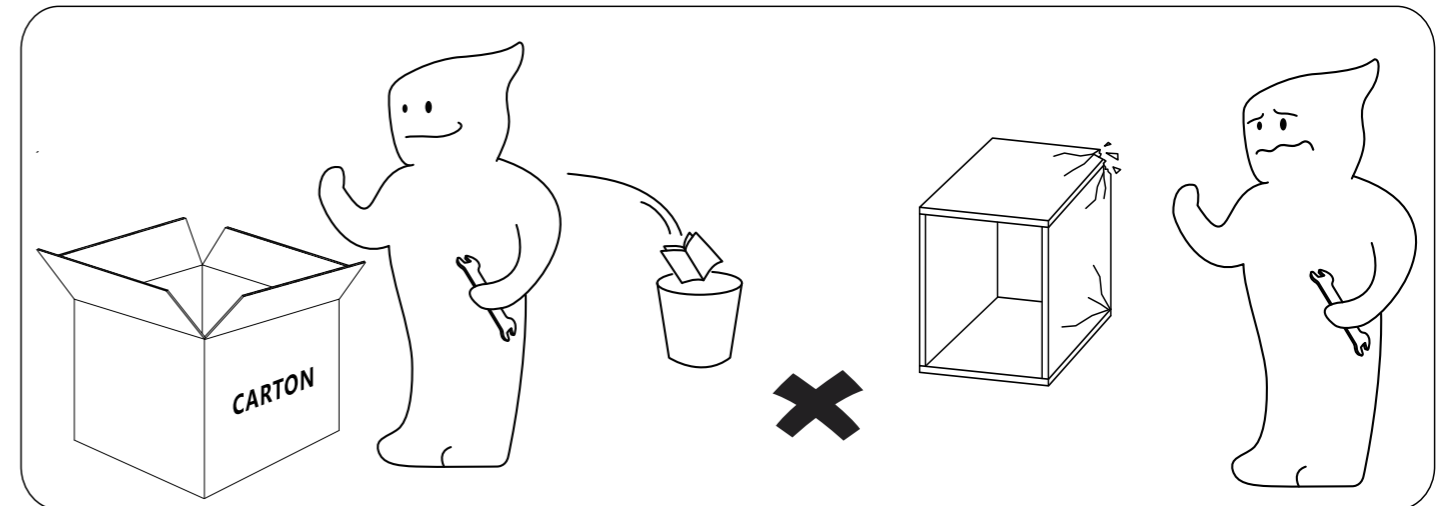
**Dear Customers,**

Thank you for purchasing our product. Please read this instruction manual carefully after receiving this product. It will help you assemble this product quickly, safely and correctly. You can keep this manual for future reference.

MADE IN CHINA



Please follow the instruction manuals and use a pad to protect the product during your assembly.



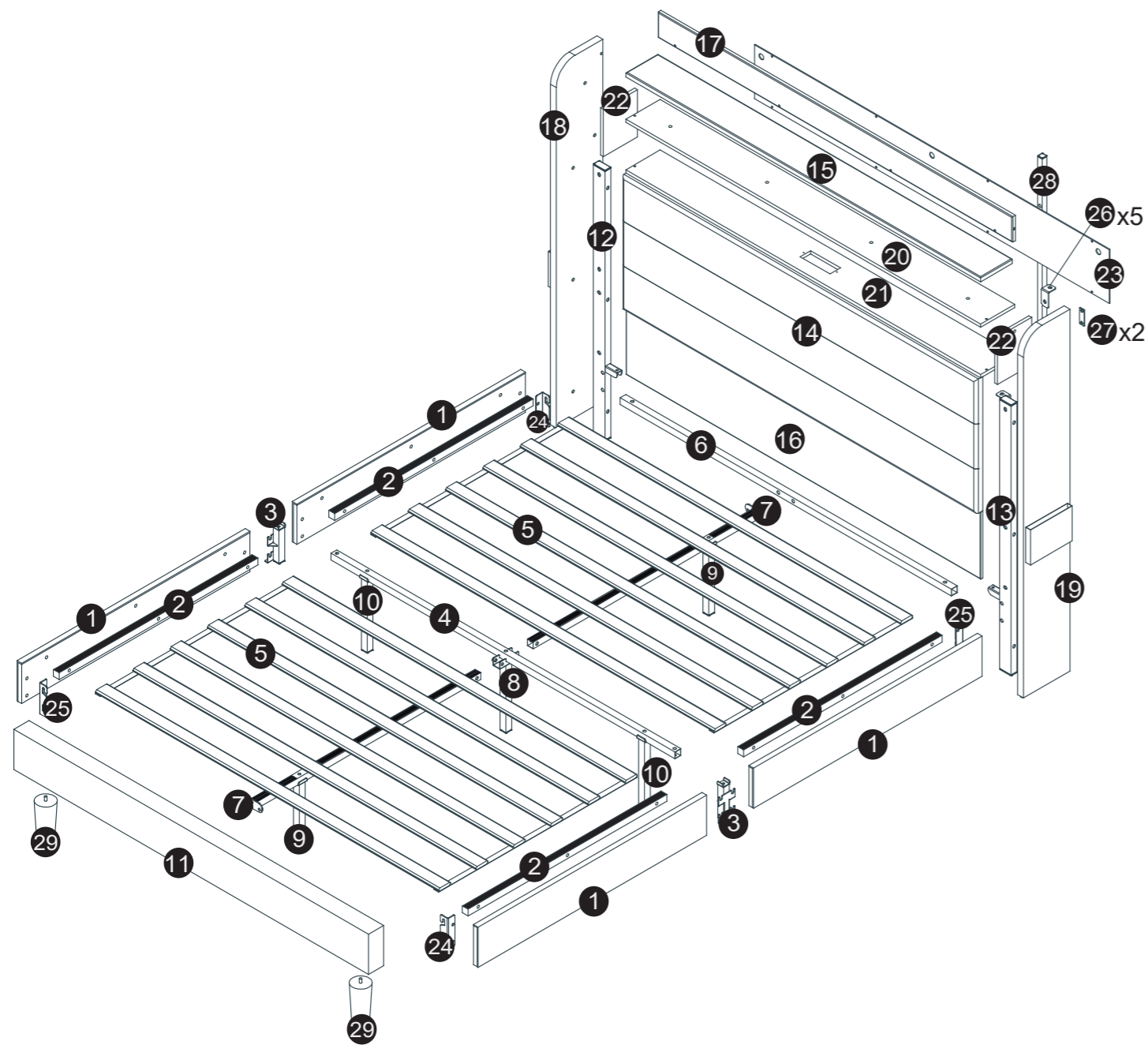
**Note:**

1. Should be assembled on flat ground to keep balance.
2. Before completing the installation, do not tighten the screws.



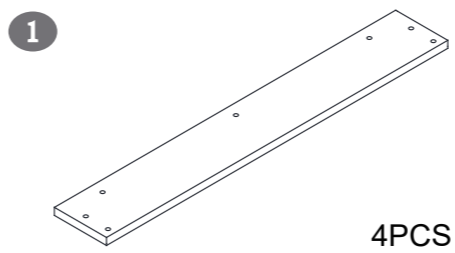
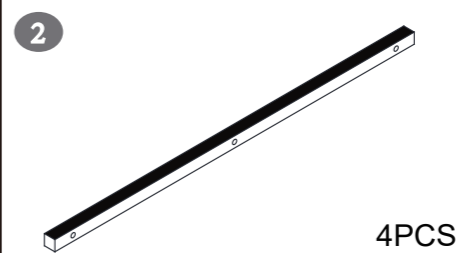
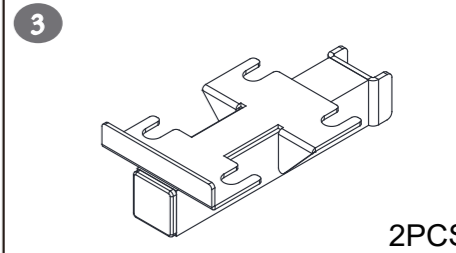
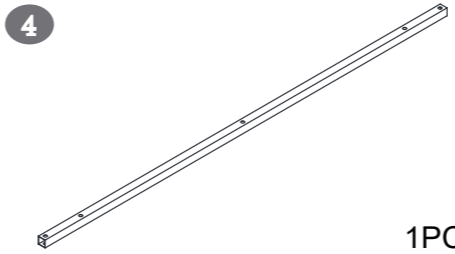
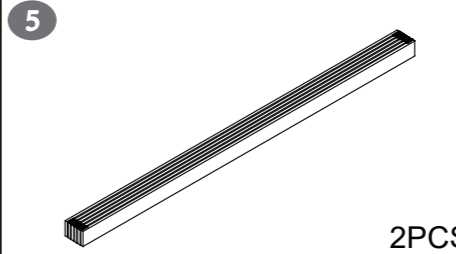
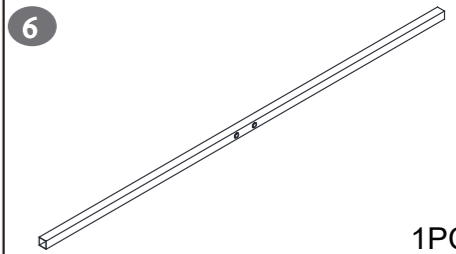

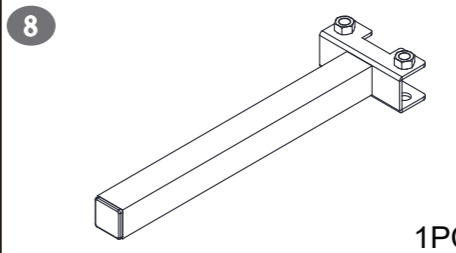
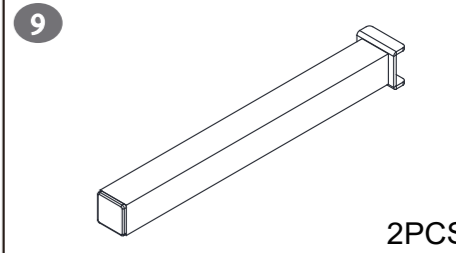
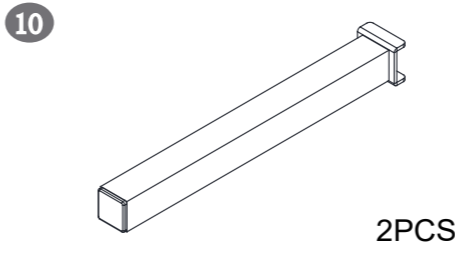
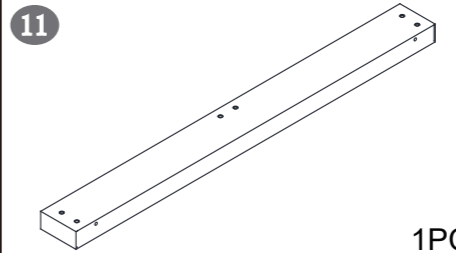
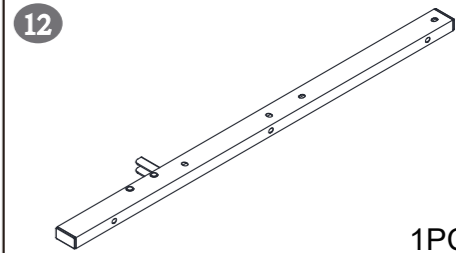
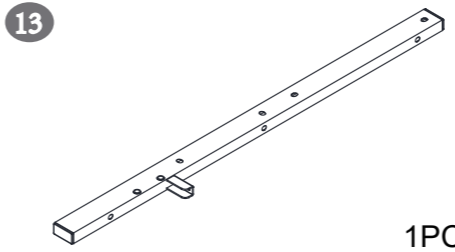
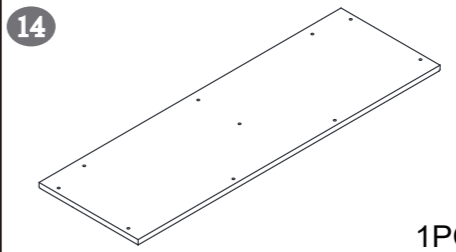
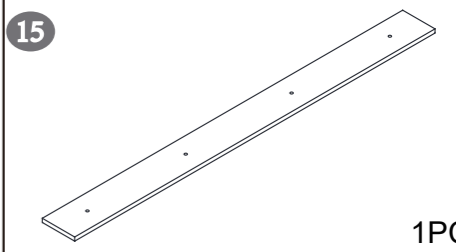
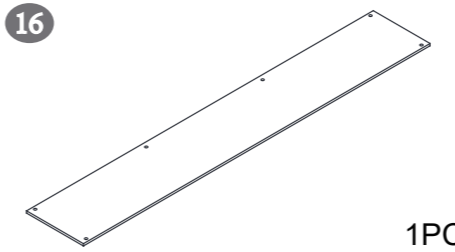
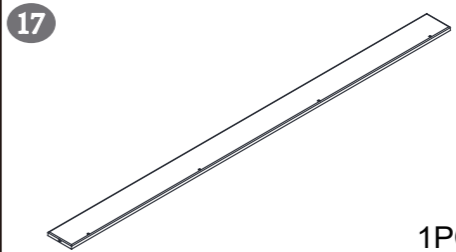
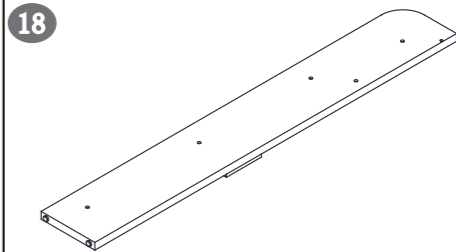
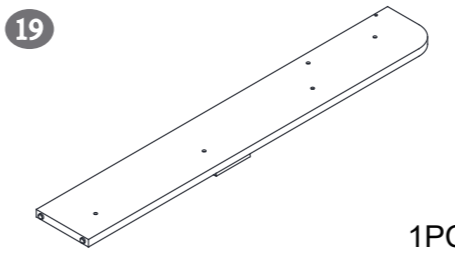
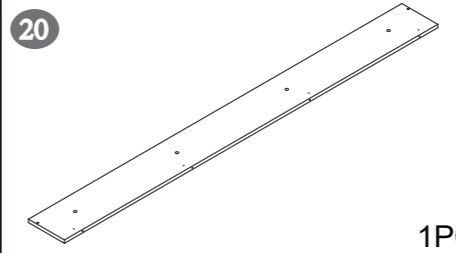
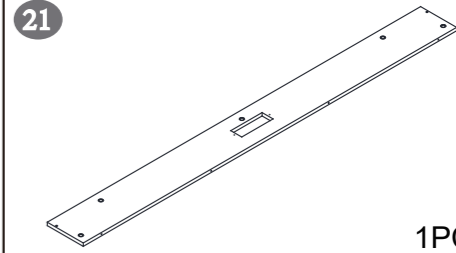
For easier and better assembly, **2** or more adults are required.

# ASSEMBLY INSTRUCTIONS



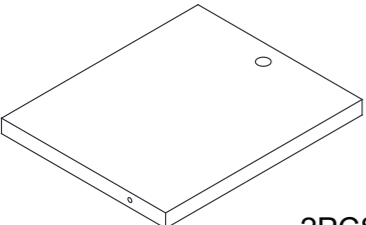
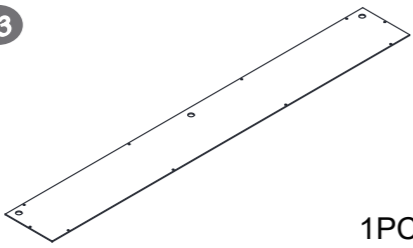
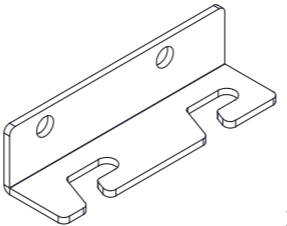
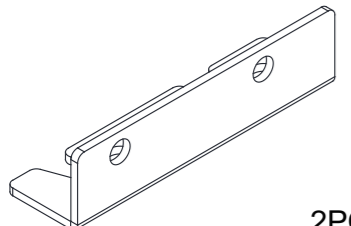
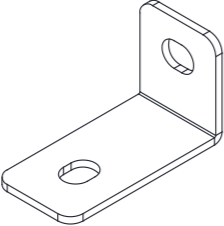
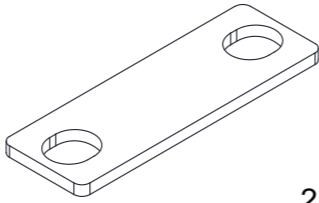
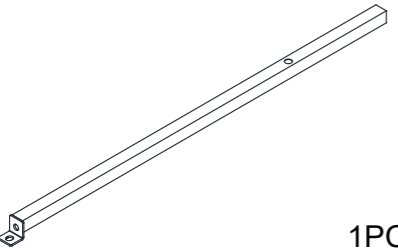
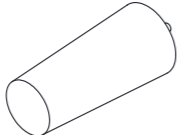

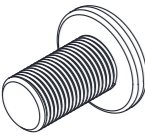
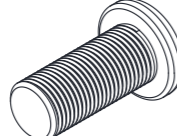
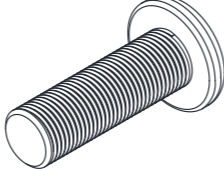
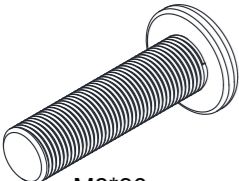
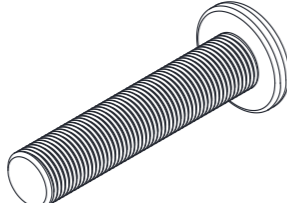
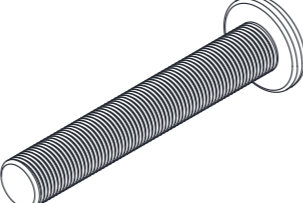
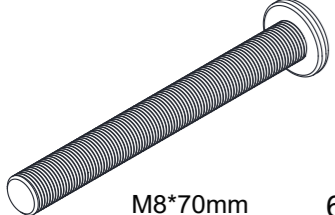
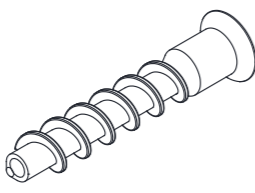
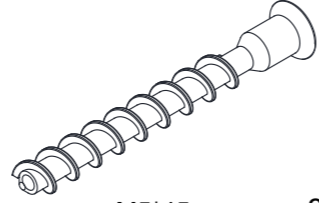
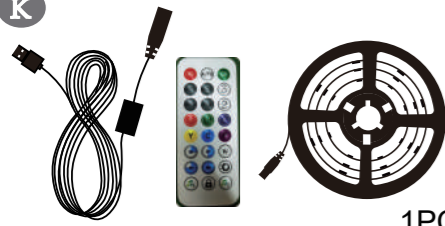


# ASSEMBLY INSTRUCTIONS

## PARTS LIST(Drawer not included)

1  4PCS	2  4PCS	3  2PCS
4  1PC	5  2PCS	6  1PC
7  2PCS	8  1PC	9  2PCS
10  2PCS	11  1PC	12  1PC
13  1PC	14  1PC	15  1PC
16  1PC	17  1PC	18  1PC
19  1PC	20  1PC	21  1PC

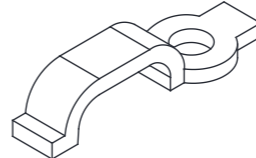
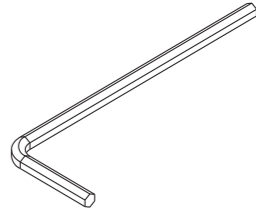
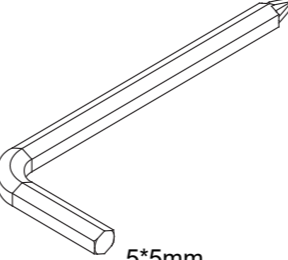
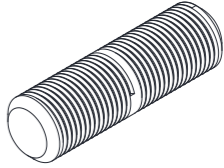
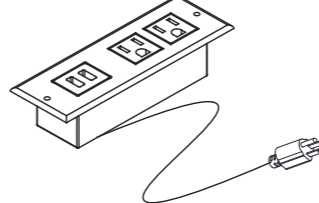
# ASSEMBLY INSTRUCTIONS

## PARTS LIST(Drawer not included)

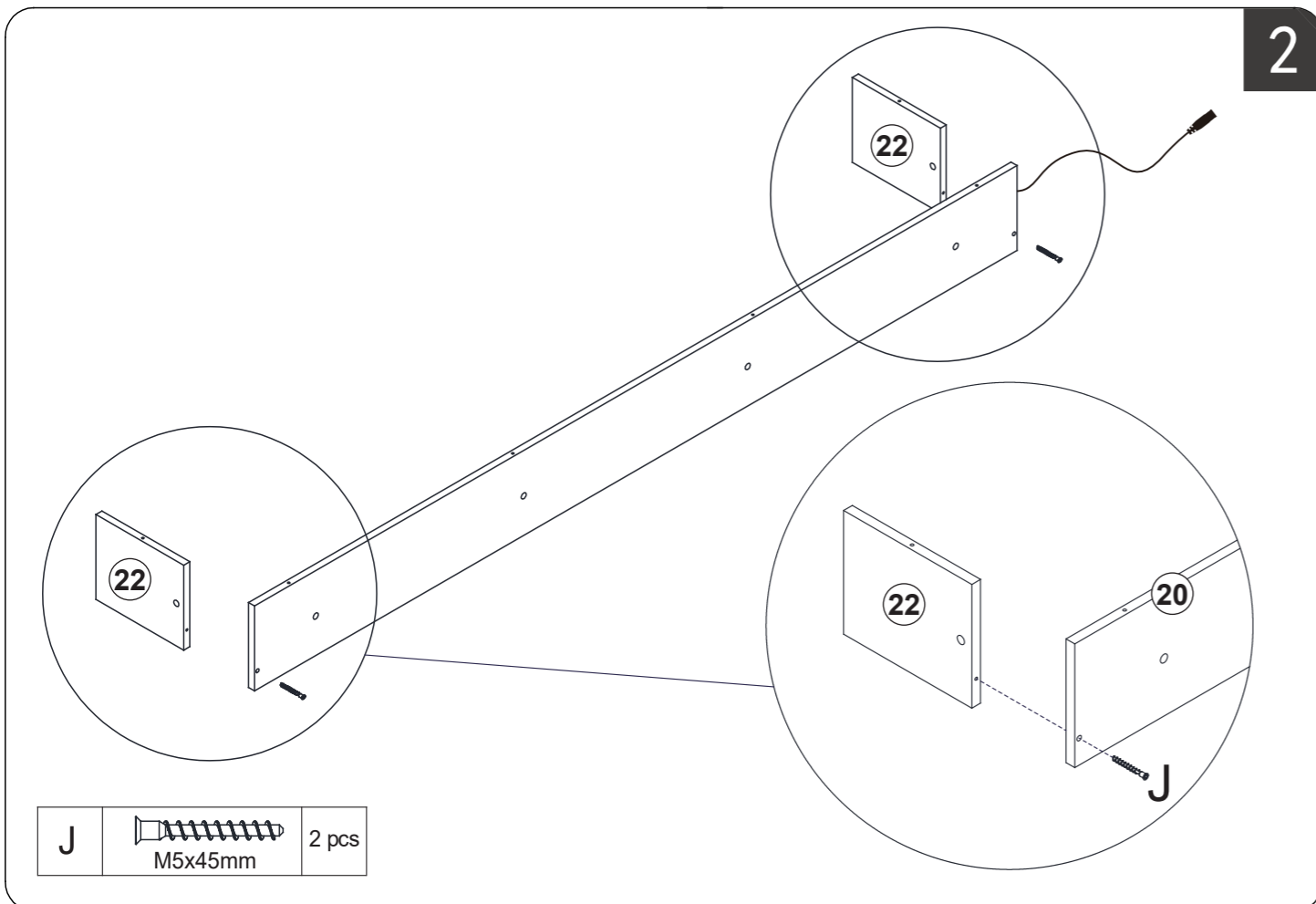
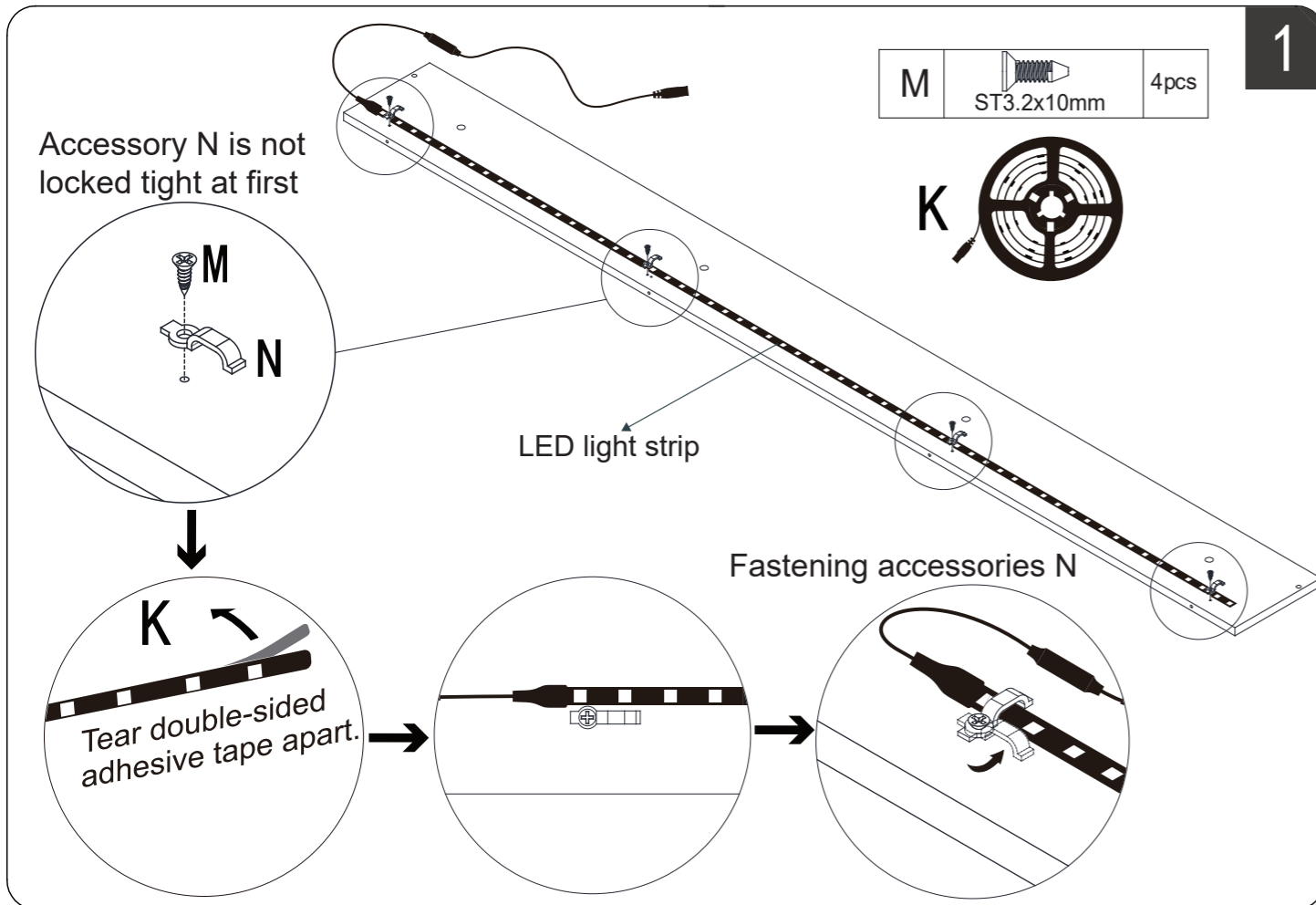
<b>22</b>  2PCS	<b>23</b>  1PC	<b>24</b>  2PCS
<b>25</b>  2PCS	<b>26</b>  5PCS	<b>27</b>  2PCS
<b>28</b>  1PC	<b>29</b>  2PCS	<b>A</b>  M8*12mm White zinc 5PCS
<b>B</b>  M8*14mm Color zinc 7PCS	<b>C</b>  M8*18mm 23PCS	<b>D</b>  M8*25mm 10PCS
<b>E</b>  M8*30mm Color zinc 5PCS	<b>F</b>  M8*38mm 28PCS	<b>G</b>  M8*50mm 1PC
<b>H</b>  M8*70mm 6PCS	<b>I</b>  M5*35mm 10PCS	<b>J</b>  M5*45mm 8PCS
<b>K</b>  1PC	<b>L</b>  ST4.2*10mm 2PCS	<b>M</b>  ST3.2*10mm 4PCS

# ASSEMBLY INSTRUCTIONS

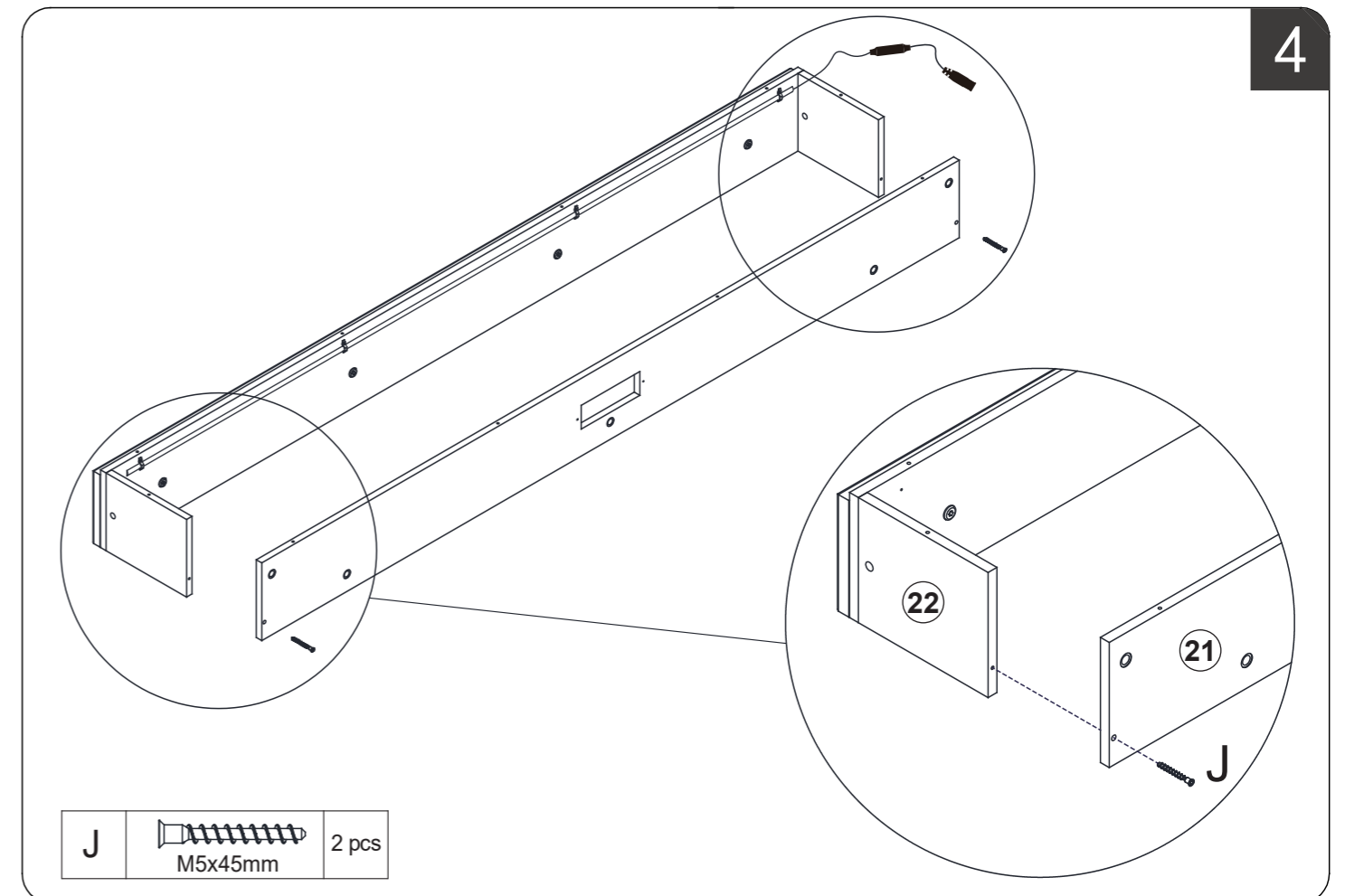
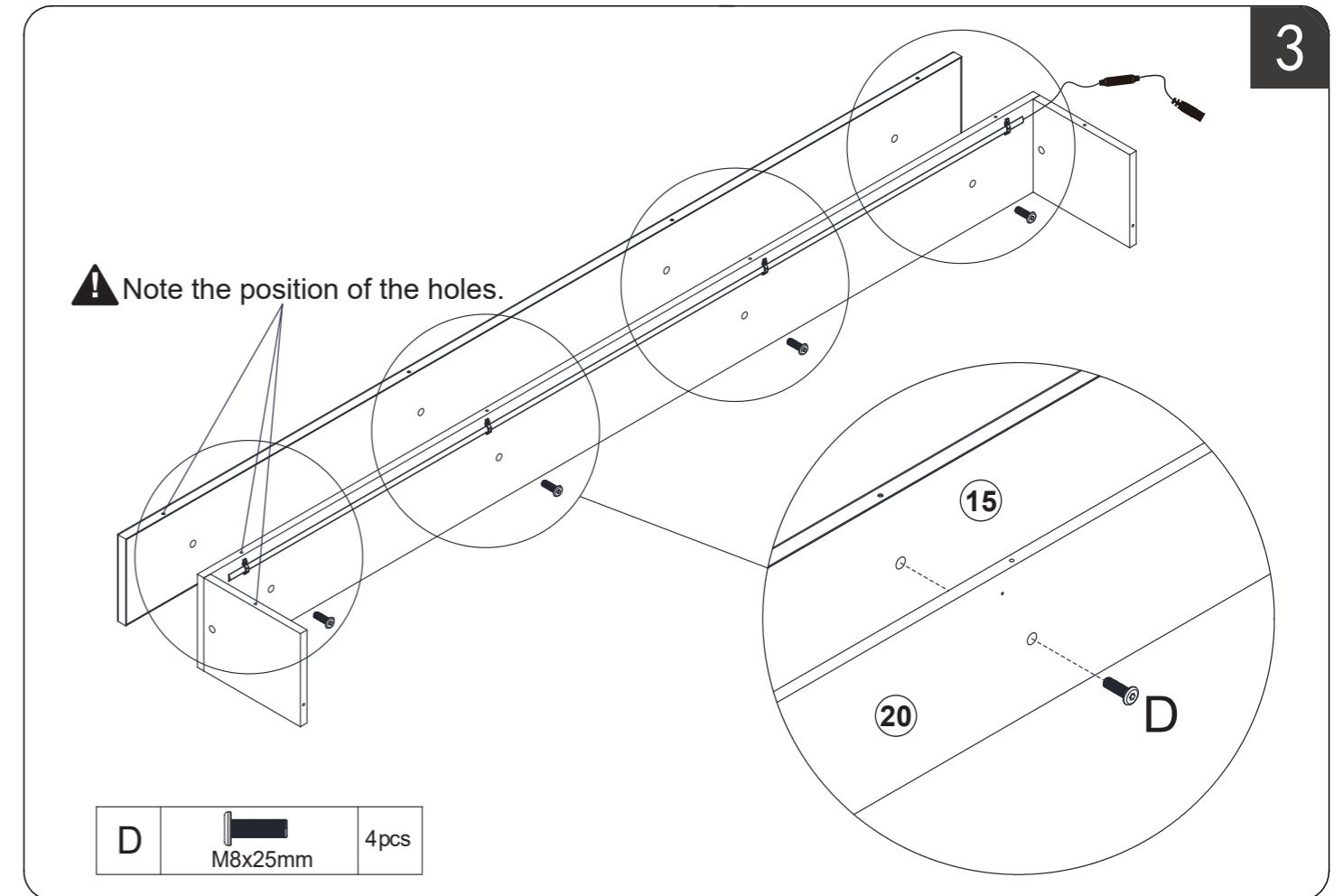
## PARTS LIST(Drawer not included)

<b>N</b>  4PCS	<b>O</b>  2.5*2.5mm 1PC
<b>P</b>  5*5mm 1PC	<b>Q</b>  8*27mm 2PCS
<b>U</b>  1PC	

# ASSEMBLY INSTRUCTIONS

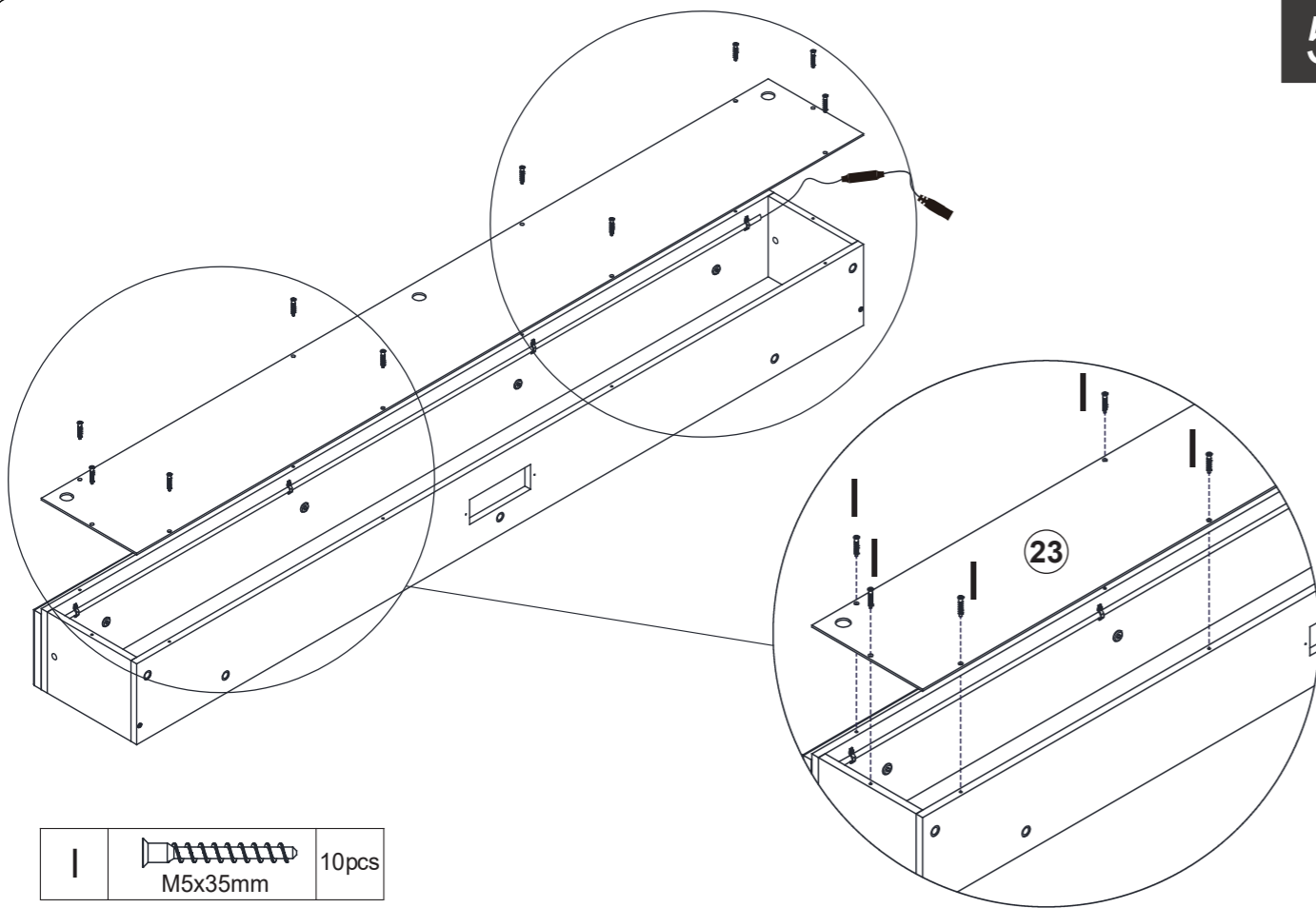


# ASSEMBLY INSTRUCTIONS



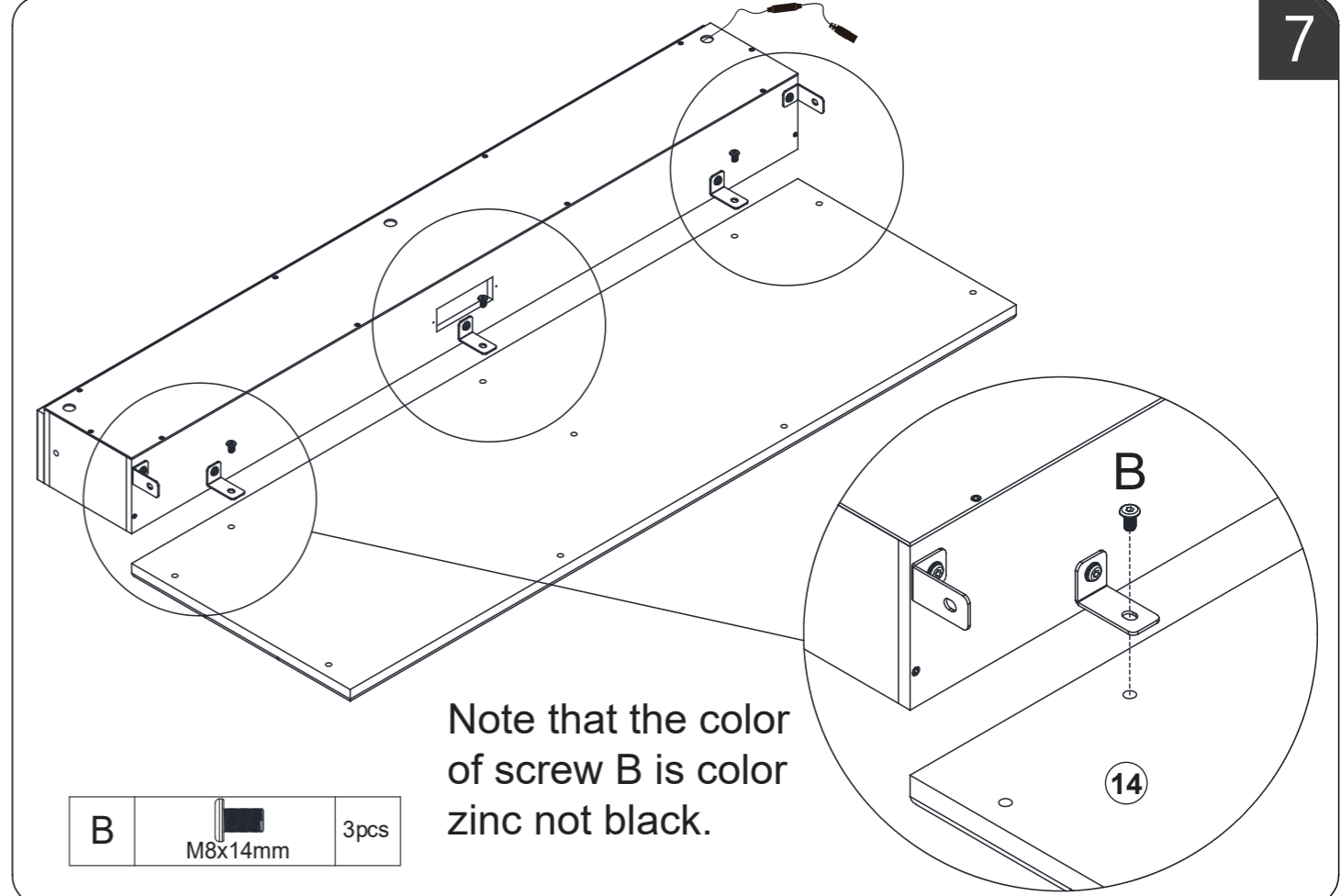


5



I M5x35mm 10pcs

7

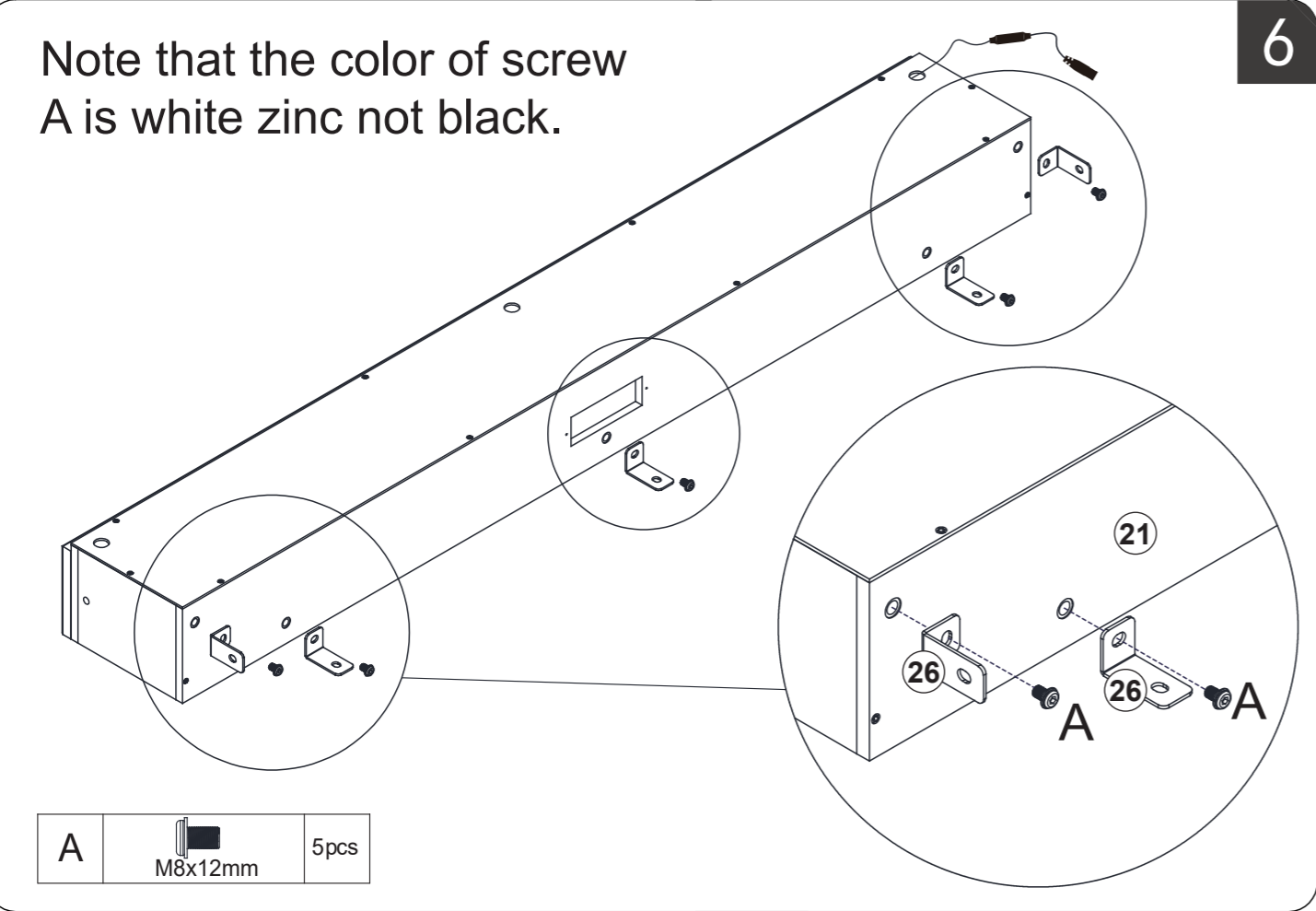


B M8x14mm 3pcs

Note that the color of screw B is color zinc not black.

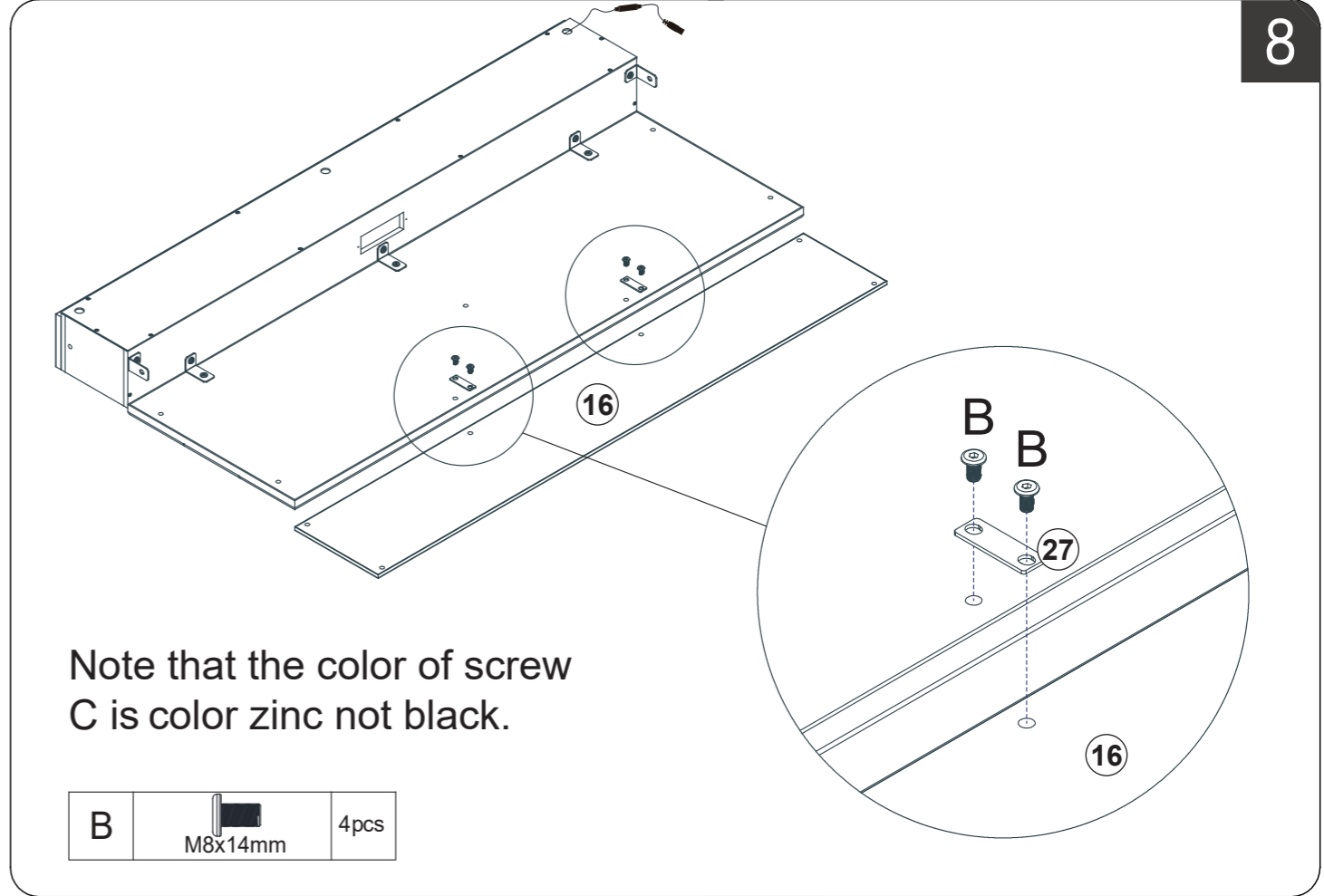
Note that the color of screw A is white zinc not black.

6



A M8x12mm 5pcs

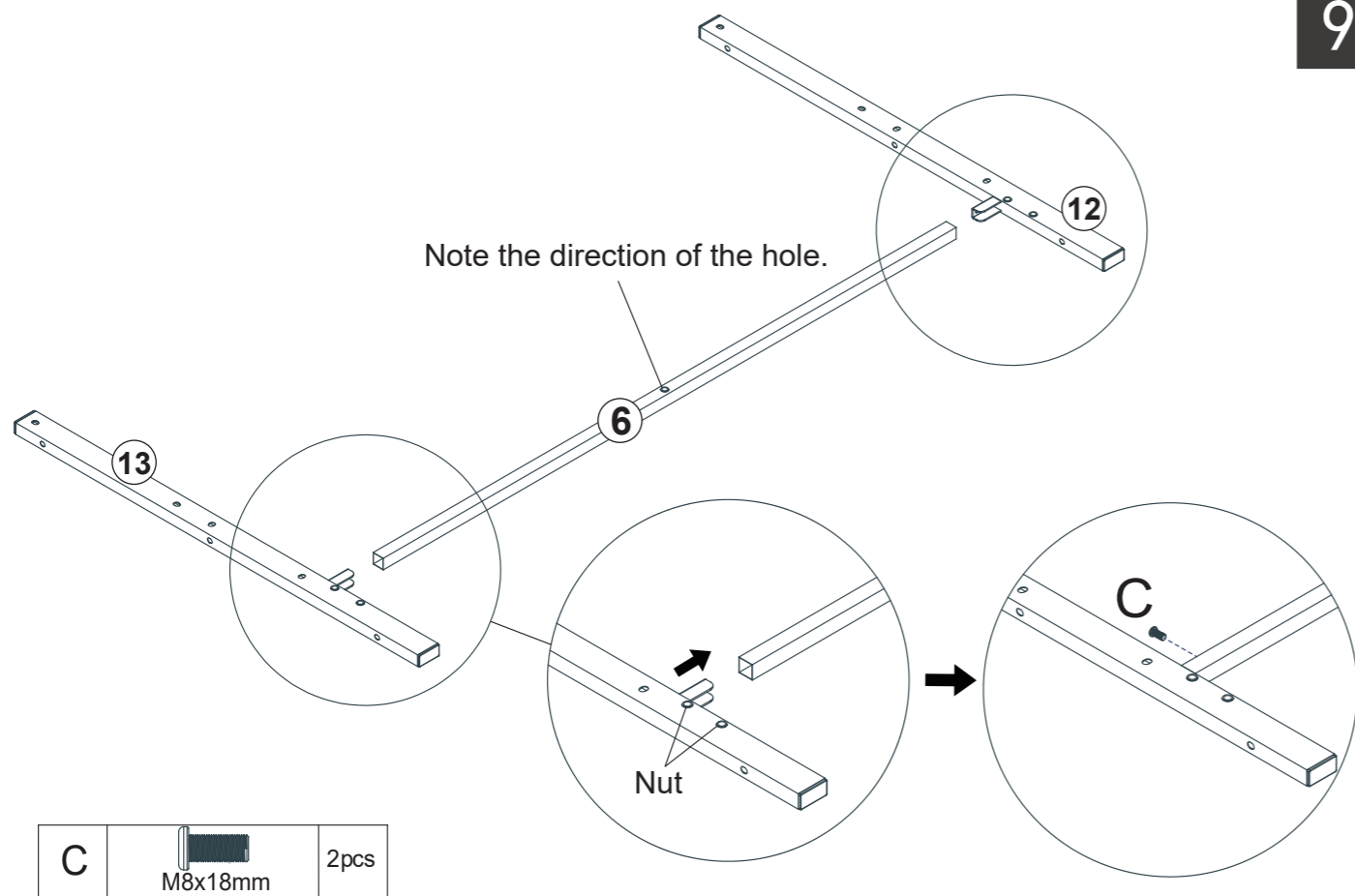
8



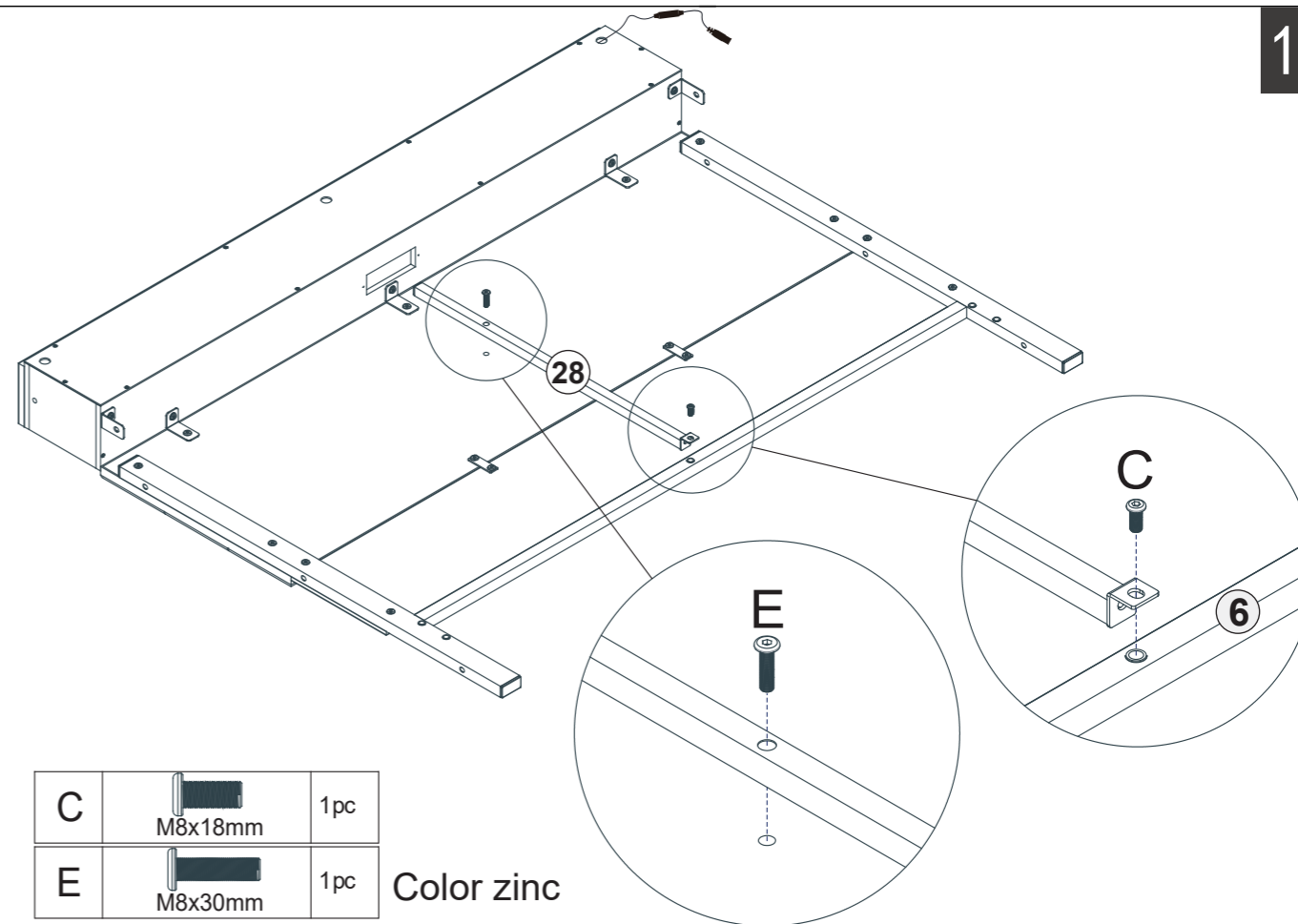
B M8x14mm 4pcs

Note that the color of screw C is color zinc not black.

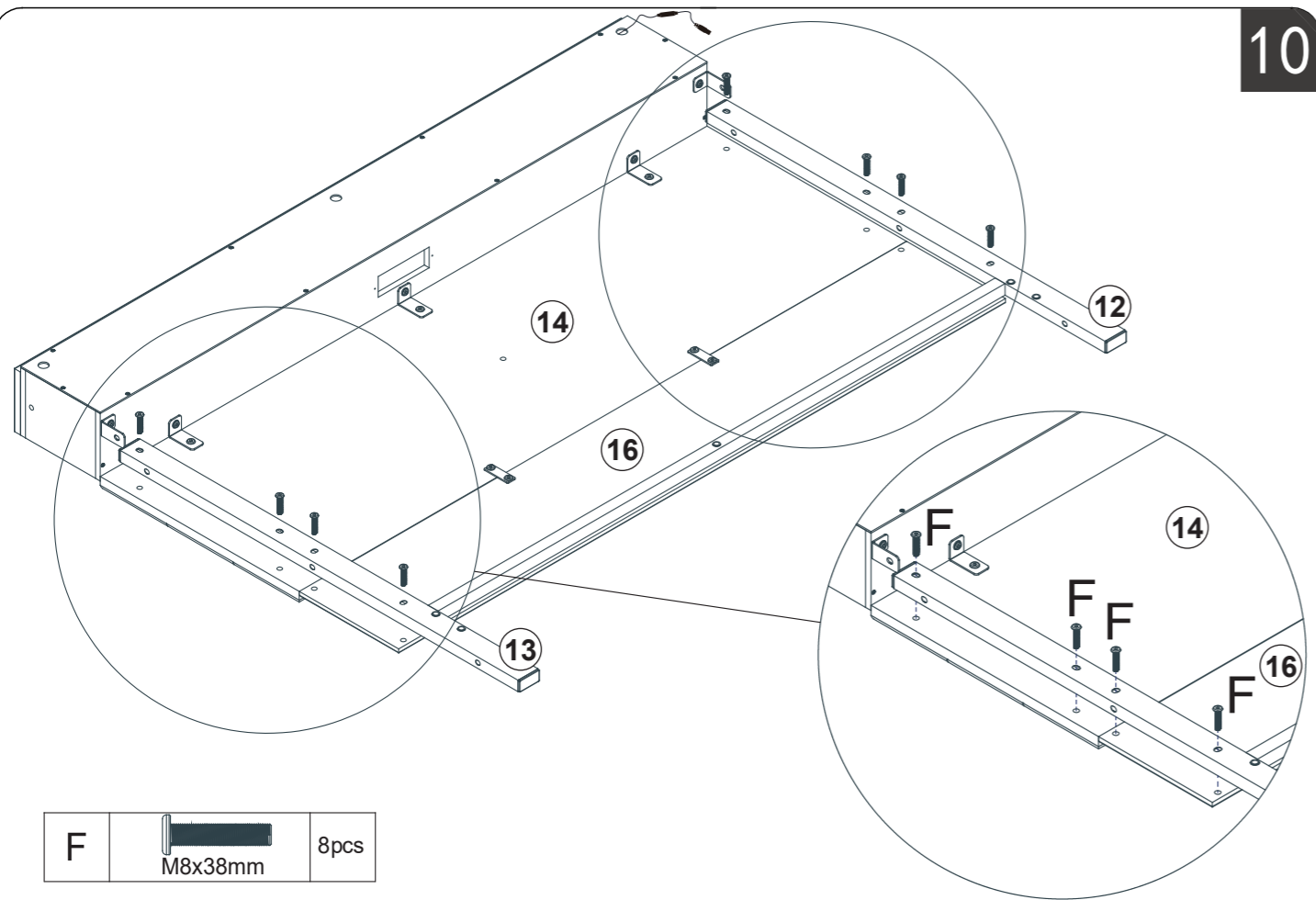
9



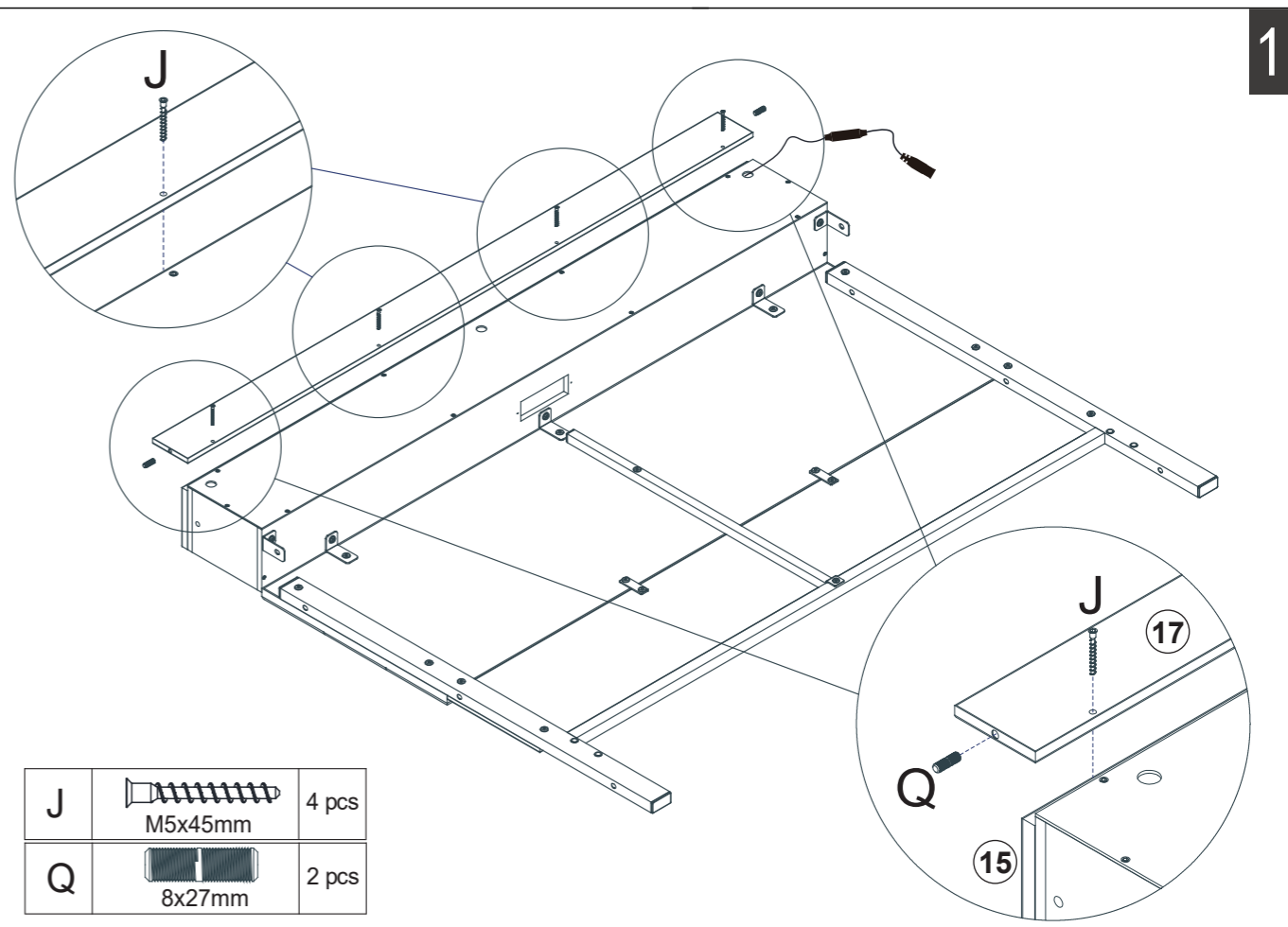
11

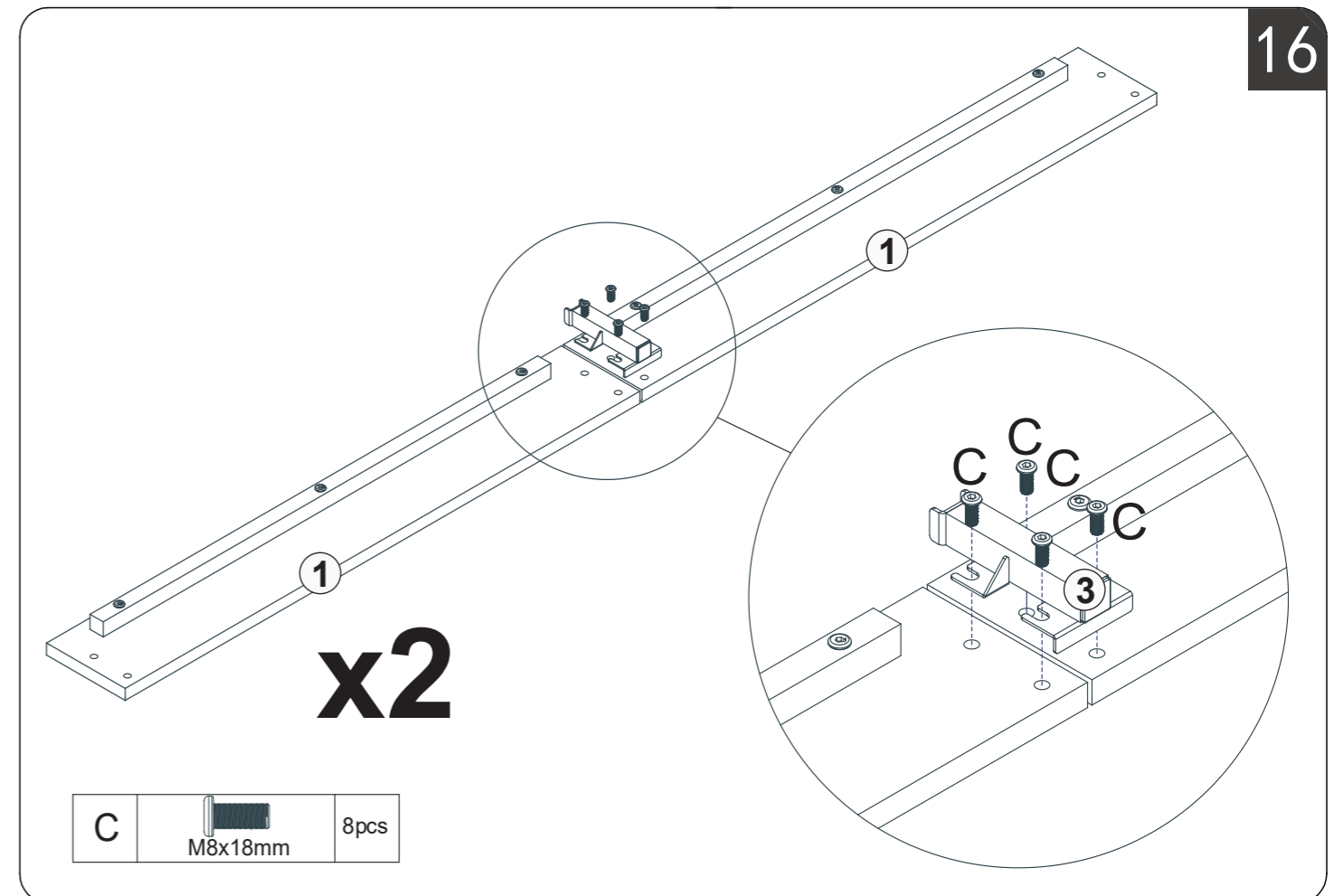
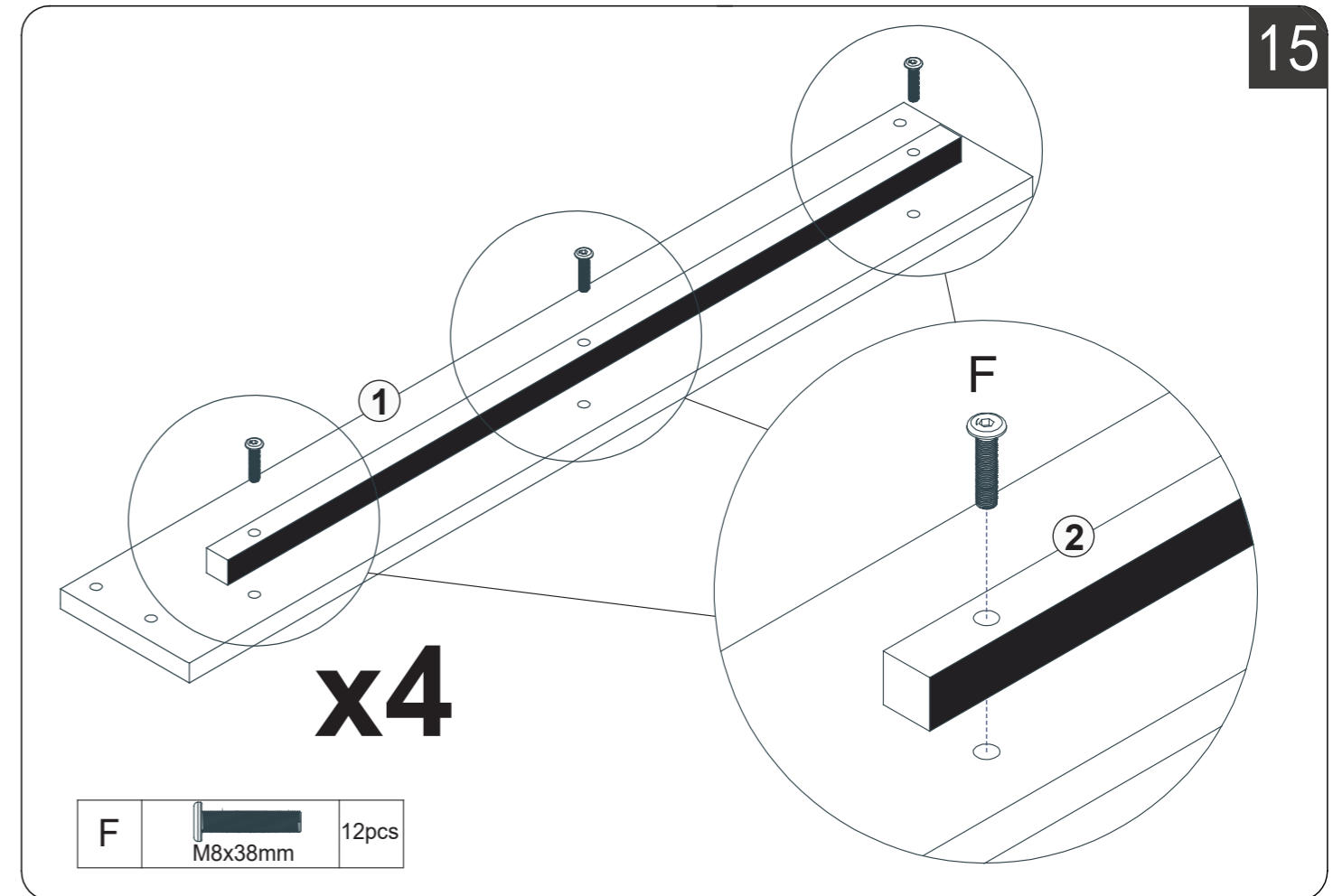
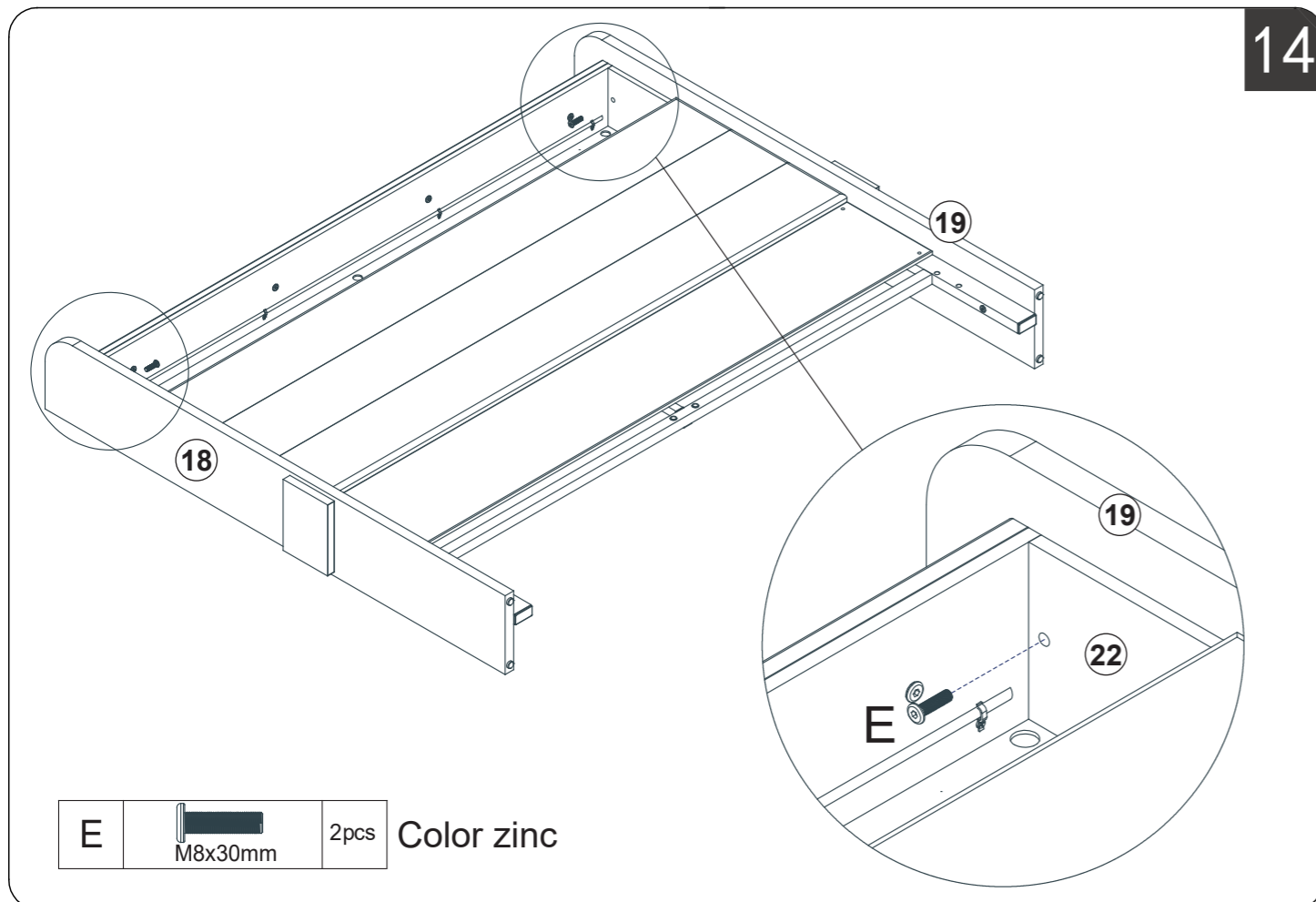
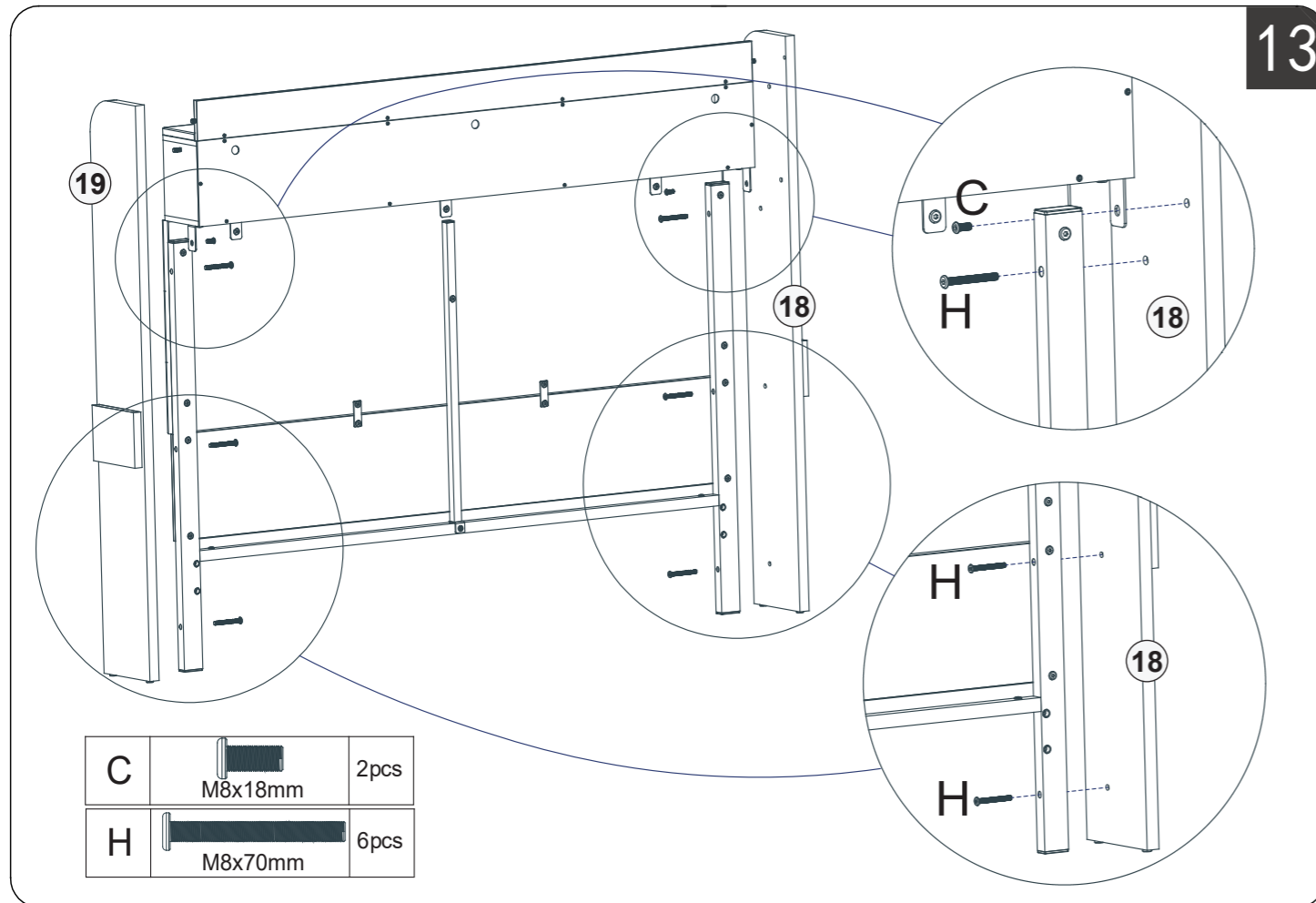


10

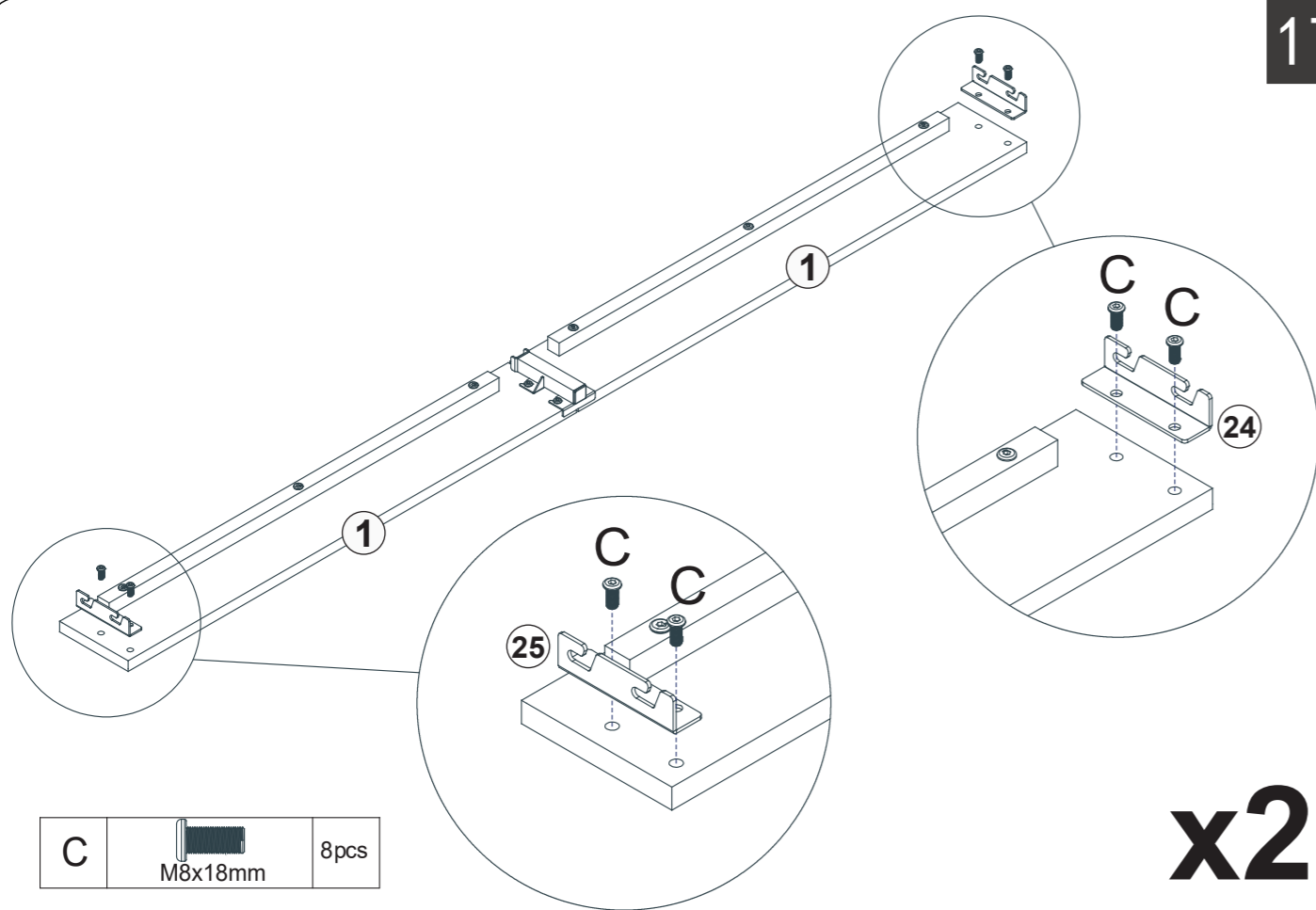


12

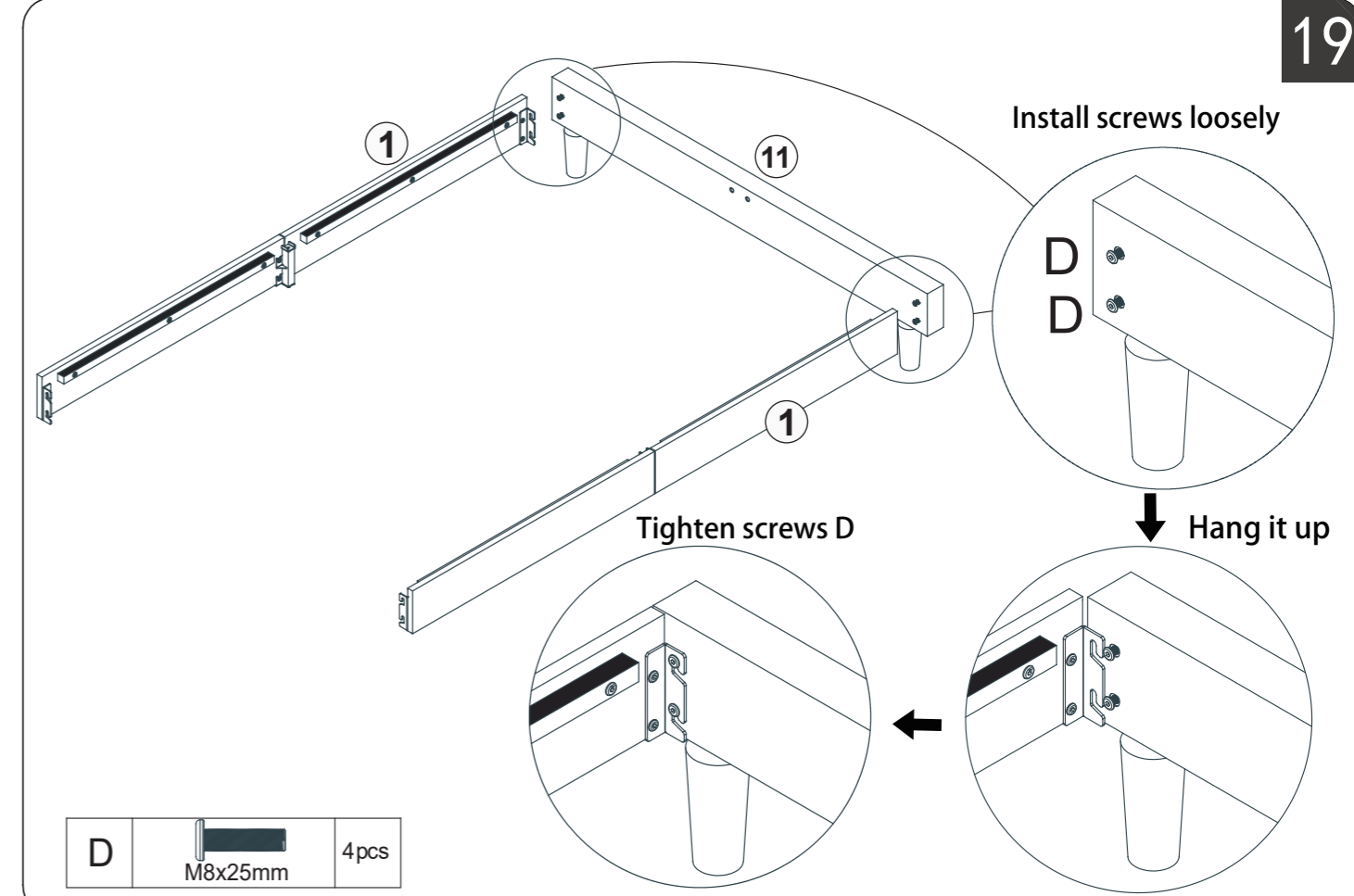




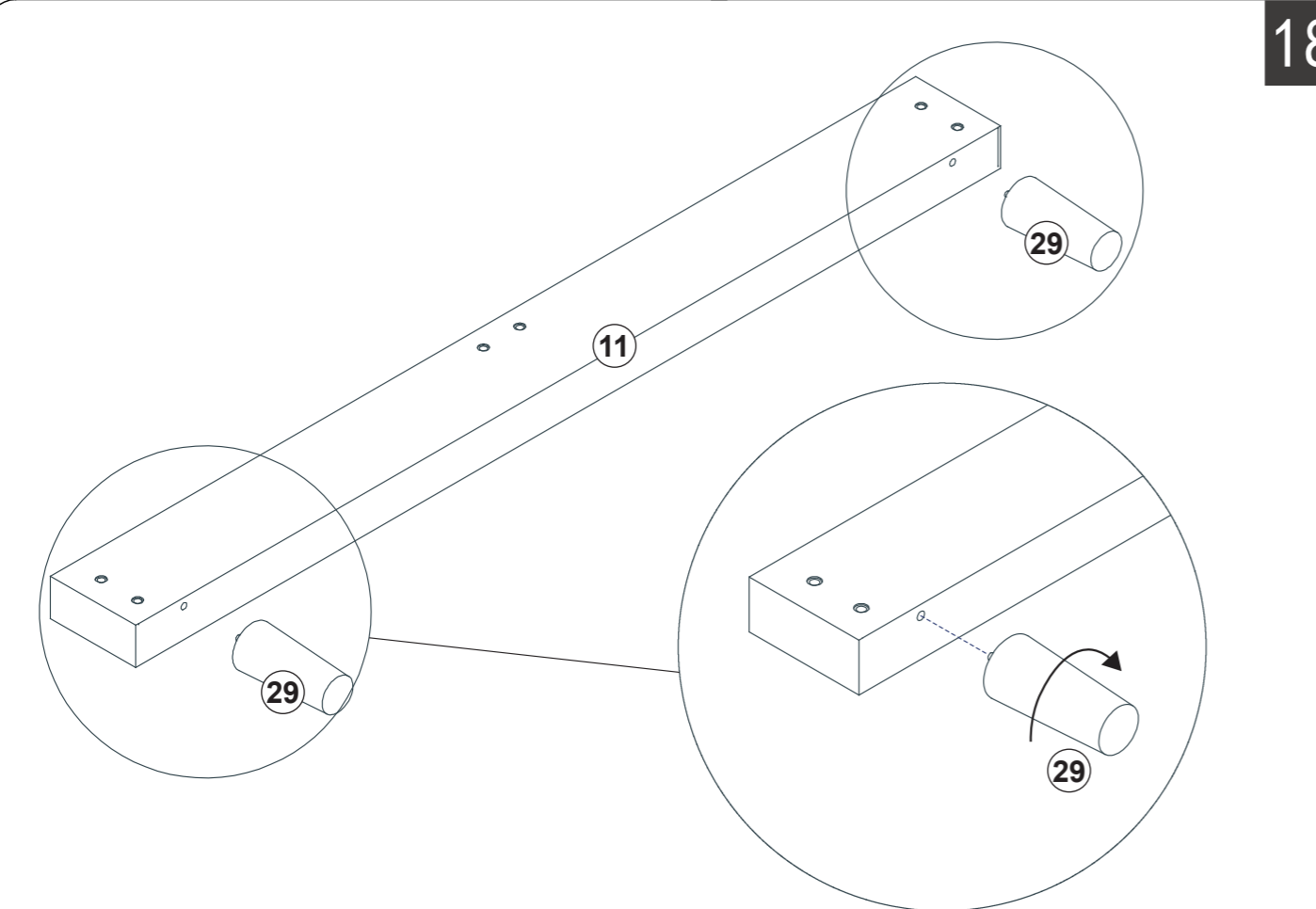
17



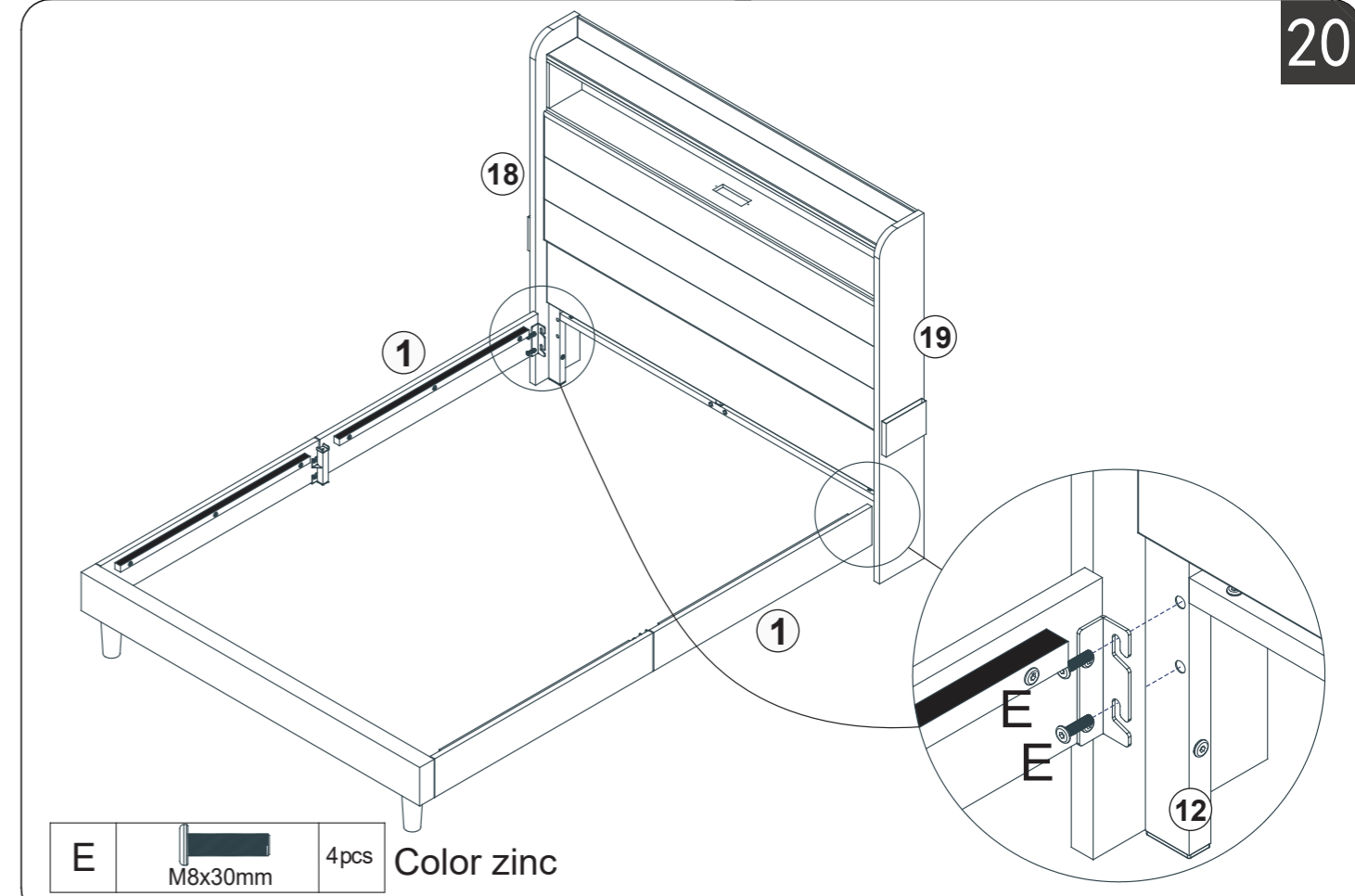
19



18

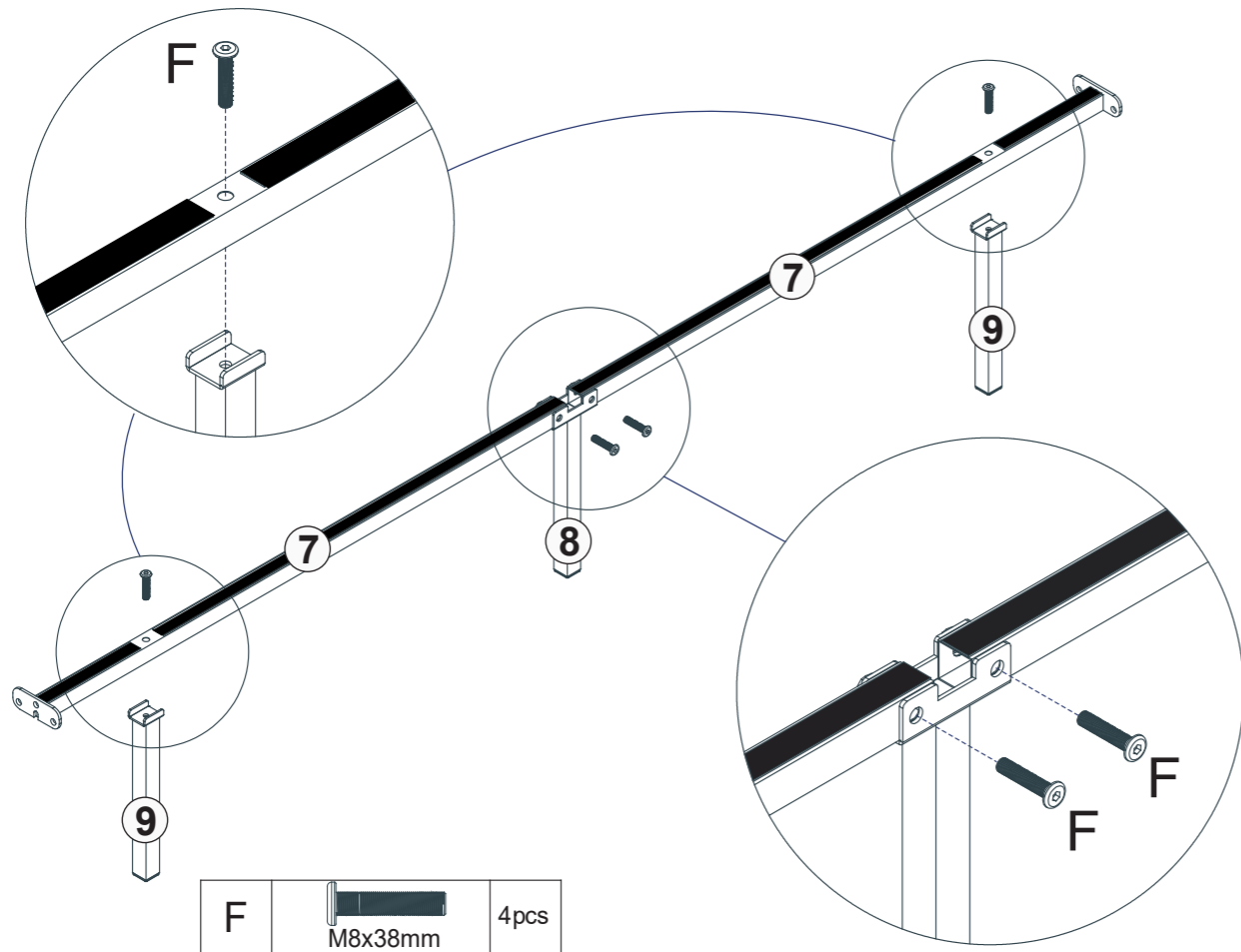


20

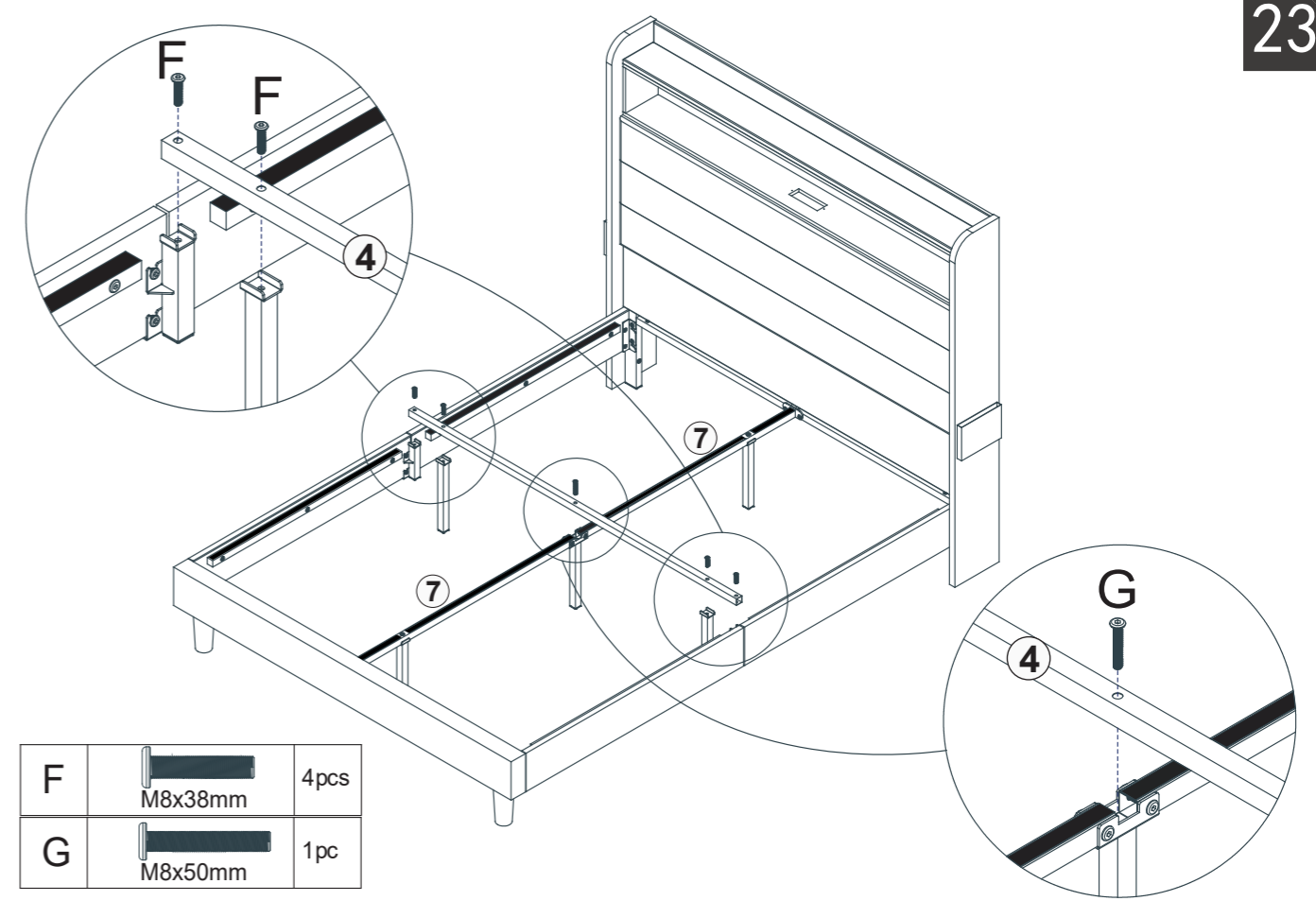




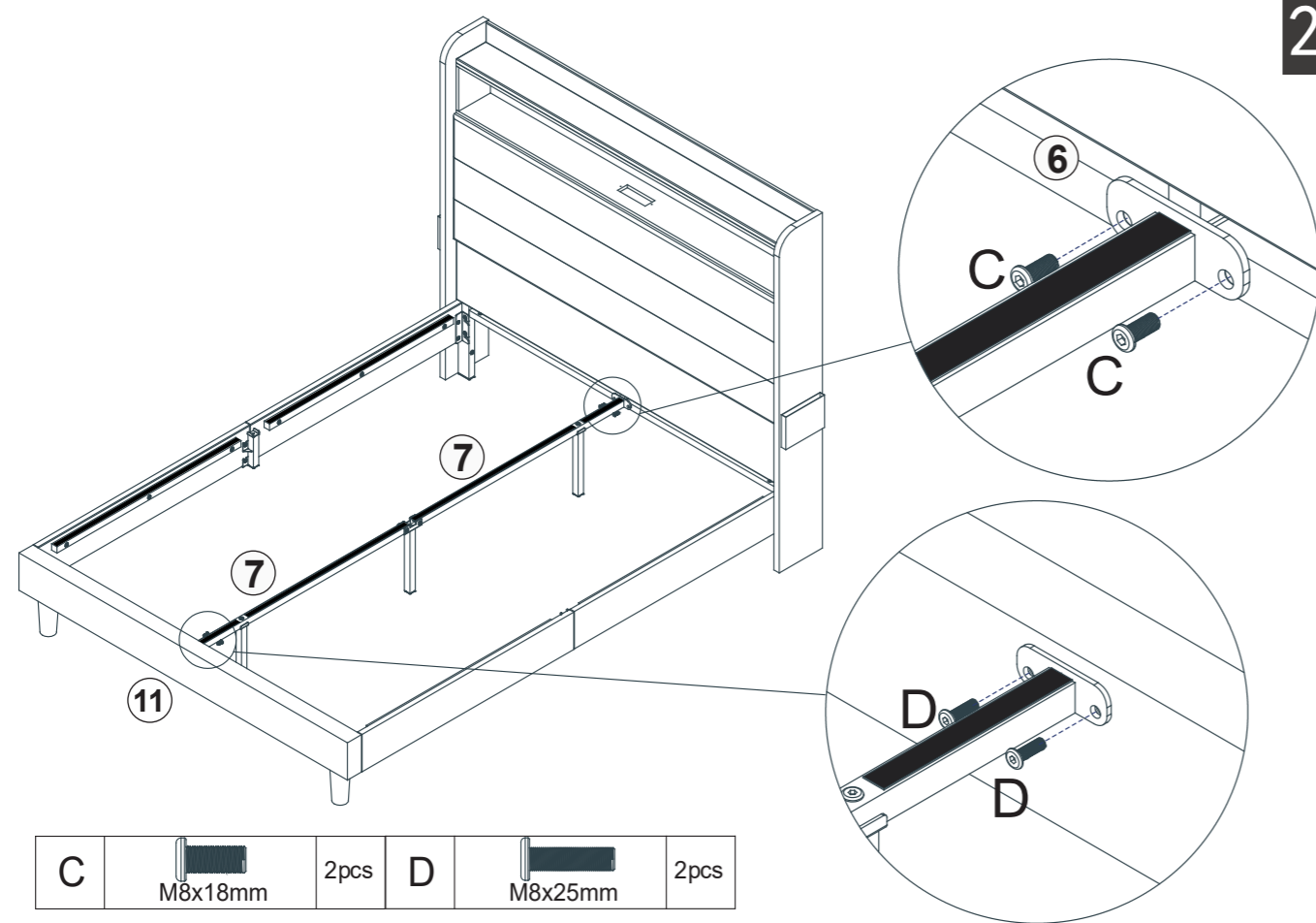
21



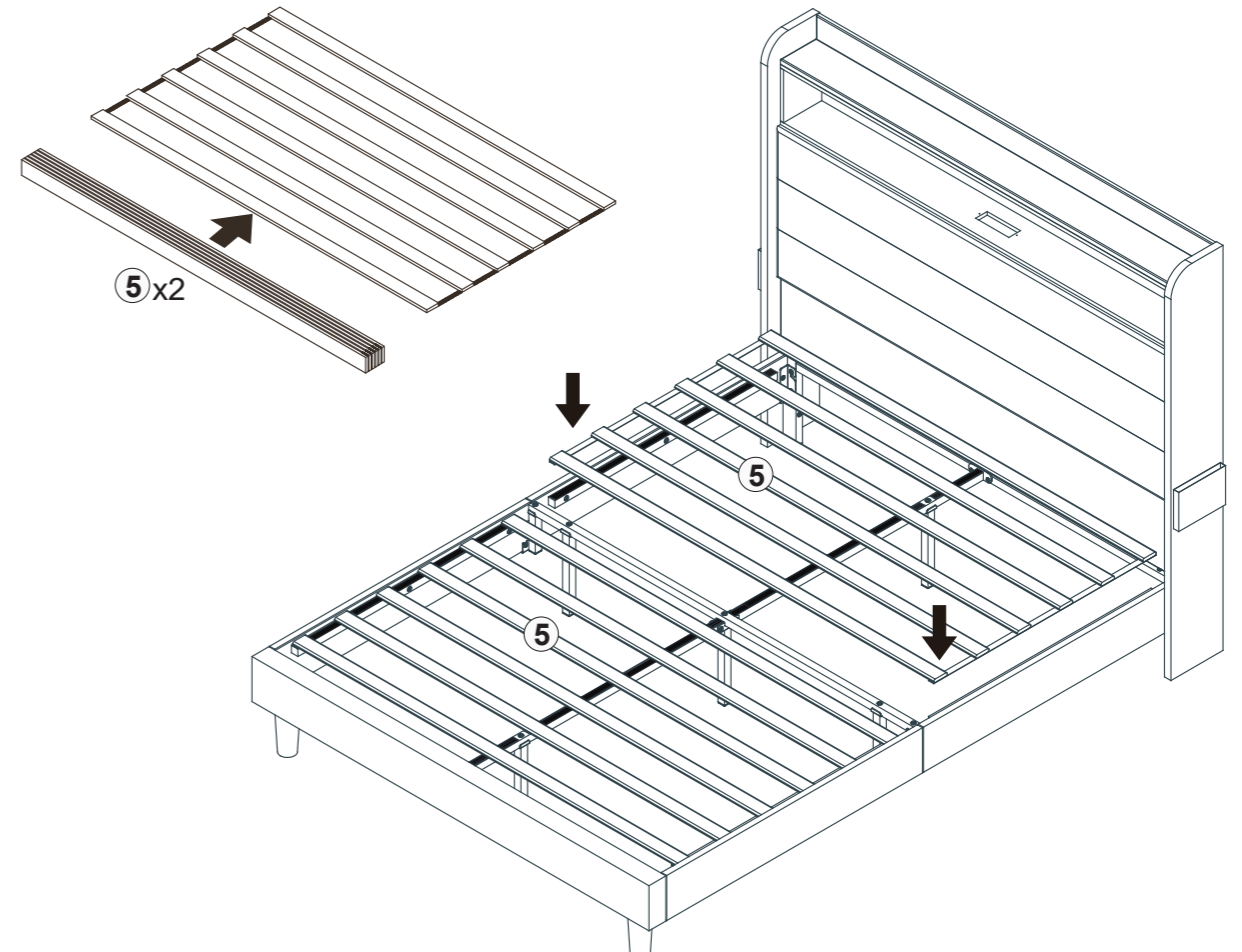
23

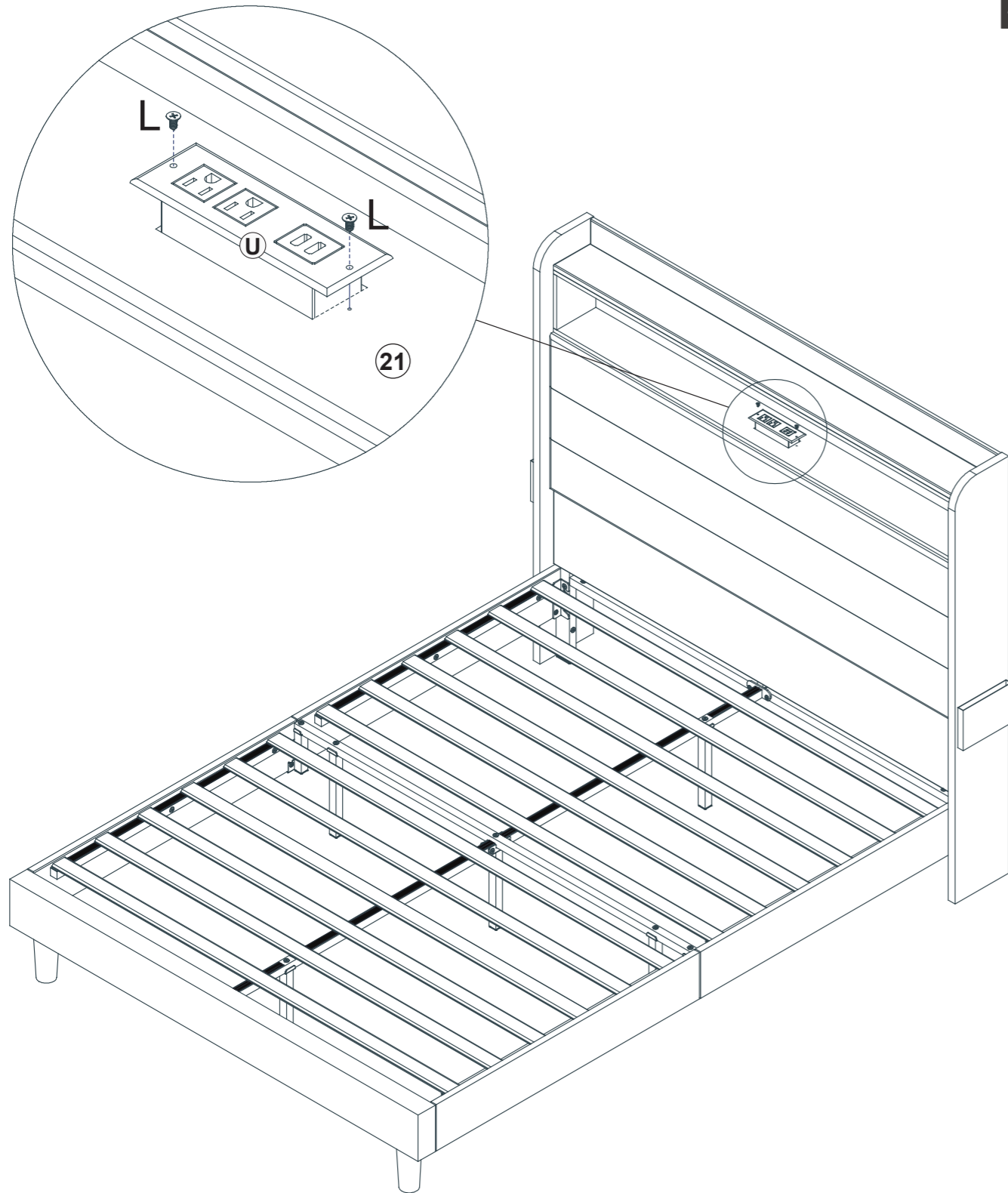


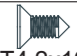
22



24





L		2pcs
	ST4.2x10mm	

