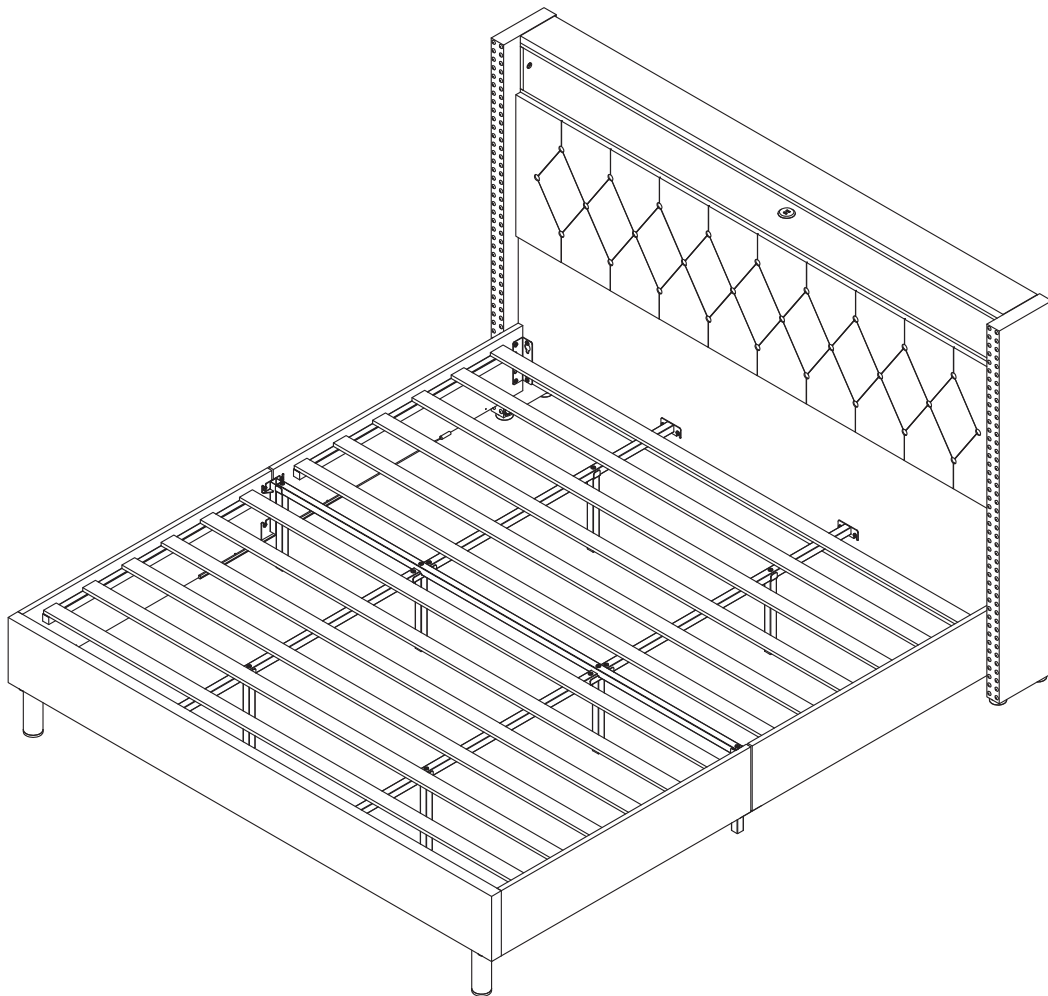



Multi-function Storage Bed Frame with LED Light Strip



Friendly Customer Service

Satisfaction Guarantees: Any problems with assembly, quality, or return, please feel free to contact us directly.

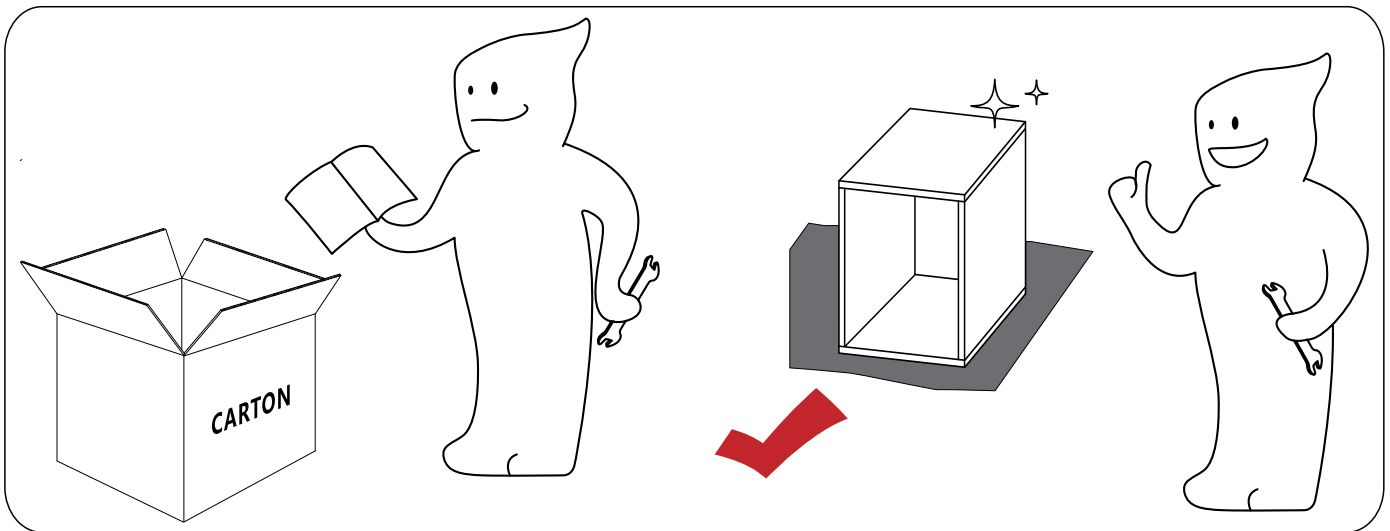
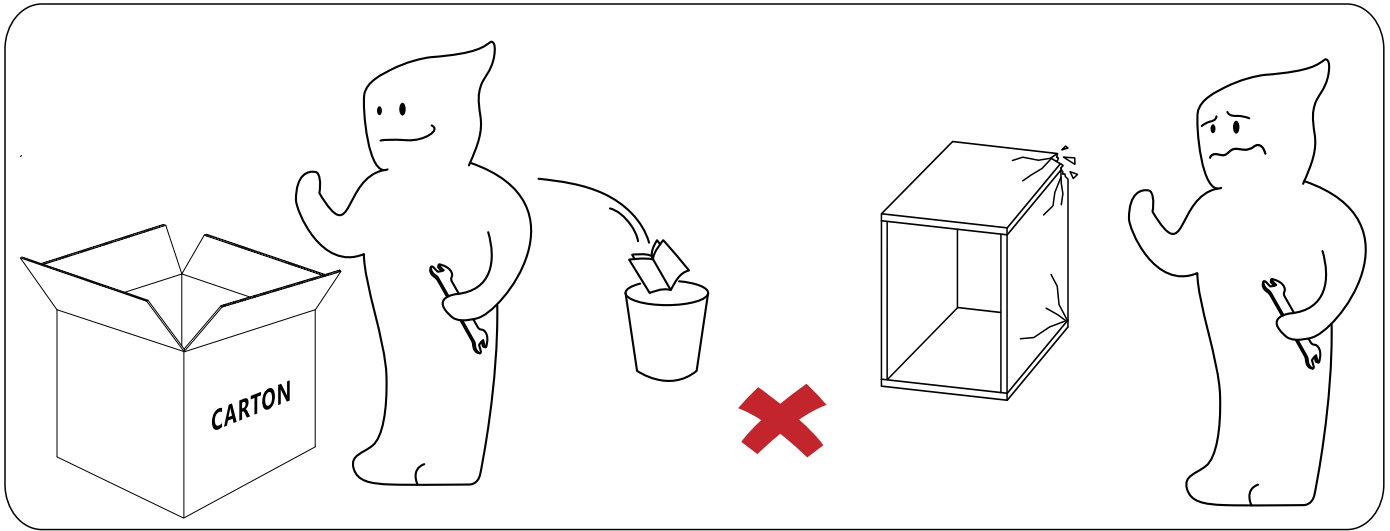
Contact us

 Phone: +1 (901) 347-2181 (US) Mon-Fri 9am - 5pm (PST)

 E-Mail: support@jocisland.com (Get efficient answer within 12 hours)

! IMPORTANT

Please follow the instruction manuals and use a pad to protect the product during your assembly.



Note:

1. Should be assembled on soft surface to keep balance.



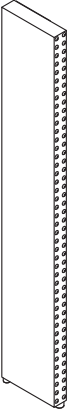
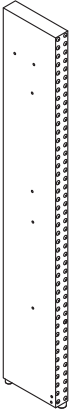
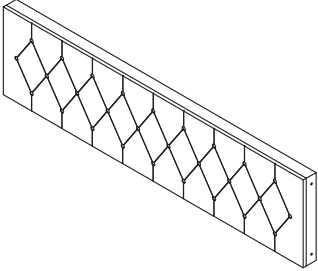
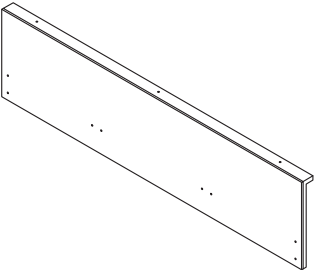
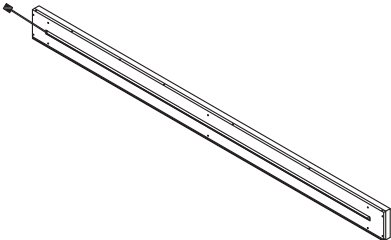
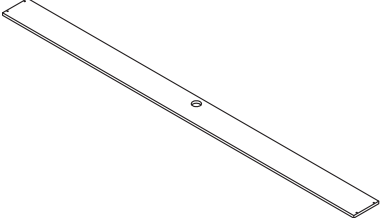
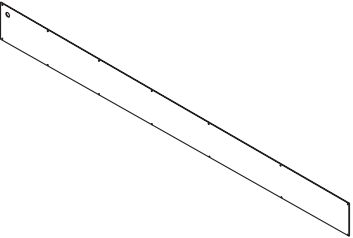
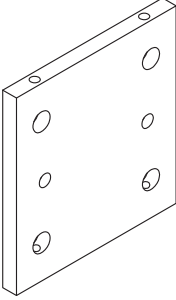
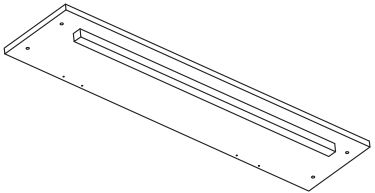
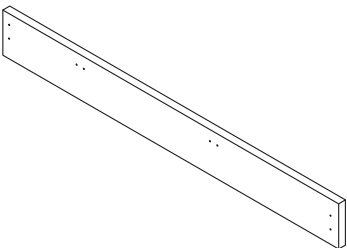
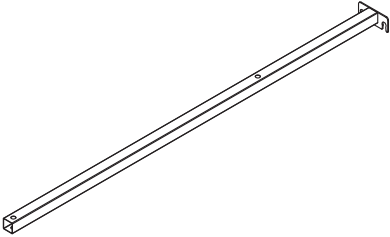
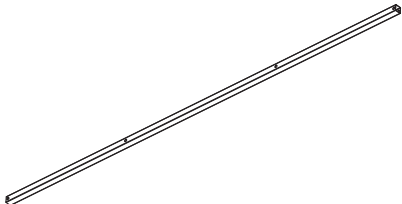
Recommend 2 or more adults for quicker assembly.



Take 2 adults about 3 hours to finish assembly.

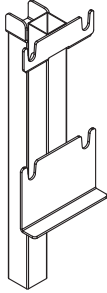
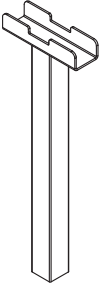
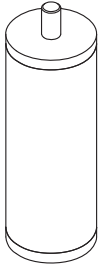
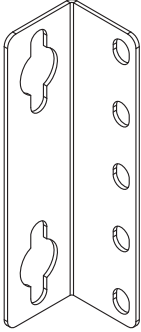
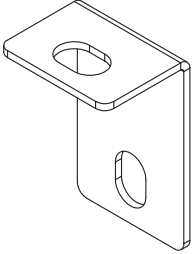
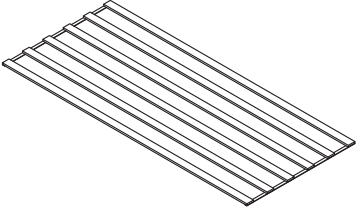
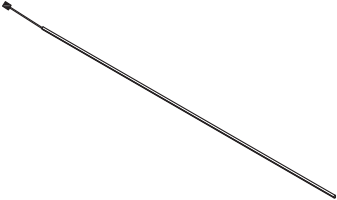

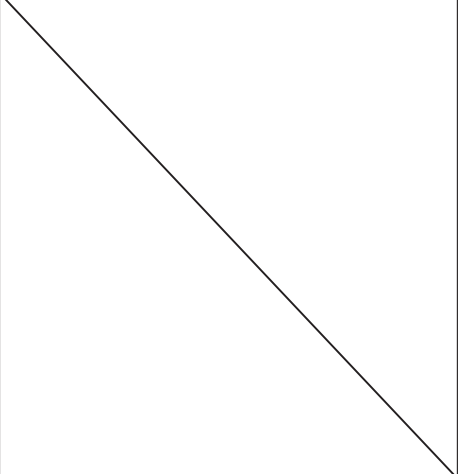

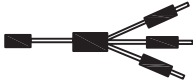
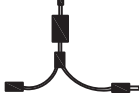

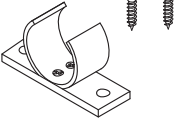
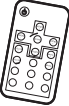
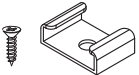

ASSEMBLY INSTRUCTIONS

PARTS LIST

| | | |
|--|--|--|
| <p>①</p>  <p>1PCS</p> | <p>②</p>  <p>1PCS</p> | <p>③</p>  <p>1PCS</p> |
| <p>④</p>  <p>1PCS</p> | <p>⑤</p>  <p>1PCS</p> | <p>⑥</p>  <p>1PCS</p> |
| <p>⑦</p>  <p>1PCS</p> | <p>⑧</p>  <p>2PCS</p> | <p>⑨</p>  <p>4PCS</p> |
| <p>⑩</p>  <p>1PCS</p> | <p>⑪</p>  <p>4PCS</p> | <p>⑫</p>  <p>1PCS</p> |

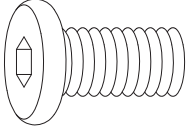
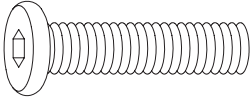
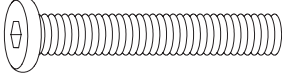
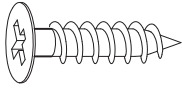
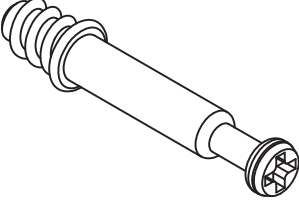
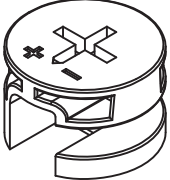
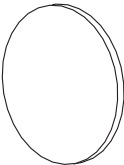
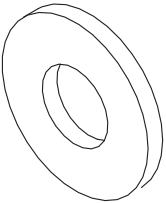
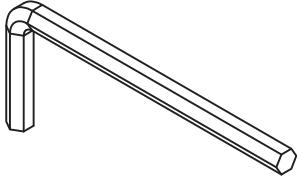
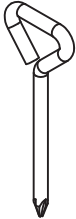
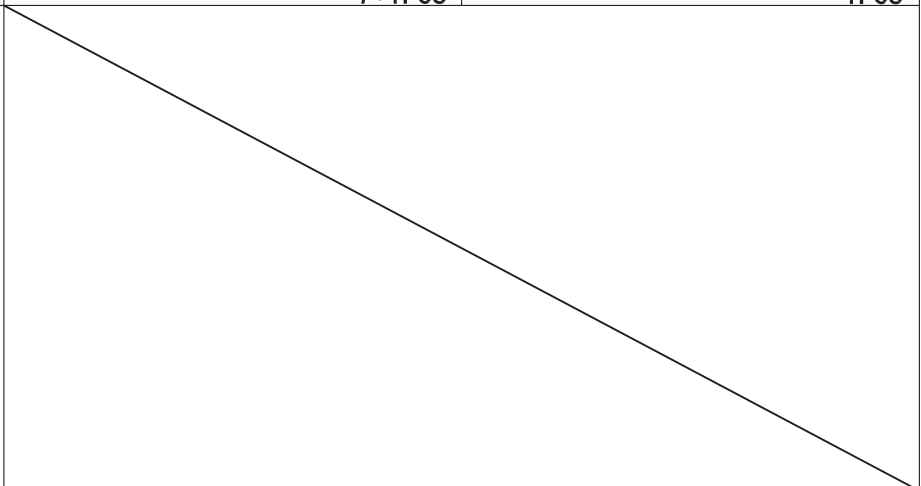
ASSEMBLY INSTRUCTIONS

PARTS LIST

| | | | |
|---|---|--|---|
| <p>⑬</p>  <p>2PCS</p> | <p>⑭</p>  <p>2PCS</p> | <p>⑮</p>  <p>2PCS</p> | |
| <p>⑯</p>  <p>4PCS</p> | <p>⑰</p>  <p>4PCS</p> | <p>⑱</p>  <p>2PCS</p> | |
| <p>⑲</p>  <p>2PCS</p> | <p>⑳</p>  <p>4PCS</p> |  | |
| <p>㉑</p> | | | |
| <p>21-1</p>  <p>1PCS</p> | <p>21-2</p>  <p>1PCS</p> | <p>21-3</p>  <p>2PCS</p> | <p>21-4</p>  <p>1PCS</p> |
| <p>21-5</p>  <p>2PCS</p> | <p>21-6</p>  <p>1PCS</p> | <p>21-7</p>  <p>4+1PCS</p> | <p>21-8</p>  <p>6+2PCS</p> |

ASSEMBLY INSTRUCTIONS

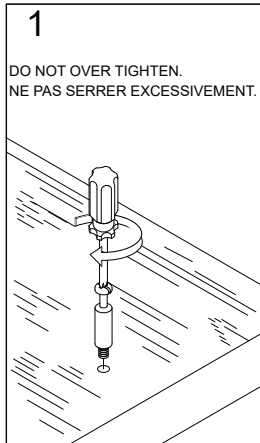
PARTS LIST

| | | |
|---|---|---|
| <p>A</p>  <p>M8x15</p> <p>40+2PCS</p> | <p>B</p>  <p>M8x35</p> <p>14+1PCS</p> | <p>C</p>  <p>M8x50</p> <p>9+1PCS</p> |
| <p>D</p>  <p>Ø4*20</p> <p>14+1PCS</p> | <p>E</p>  <p>Ø5*35</p> <p>8+1PCS</p> | <p>F</p>  <p>Ø15*9.5</p> <p>8+1PCS</p> |
| <p>G</p>  <p>Ø21</p> <p>4+1PCS</p> | <p>H</p>  <p>7+1PCS</p> | <p>I</p>  <p>1PCS</p> |
| <p>J</p>  <p>1PCS</p> |  | |

Using Camlocks

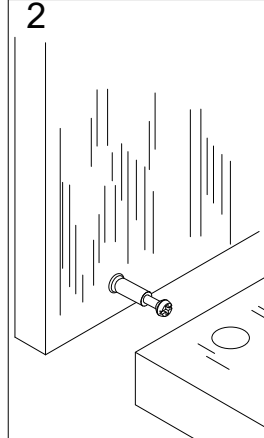
Step 1

Connect the male camlock as directed in the assembly instructions using a screwdriver.



Step 2

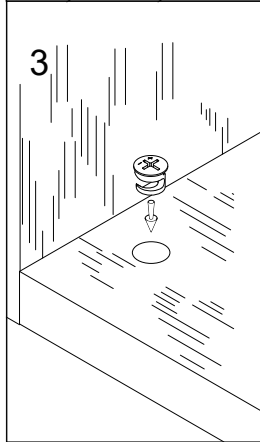
Push the male camlock into the entry hole.



Step 3

Insert the female camlock as shown in the instructions.

Note: ensure that the arrow on the top of the camlock points towards the entry hole for the male camlock.

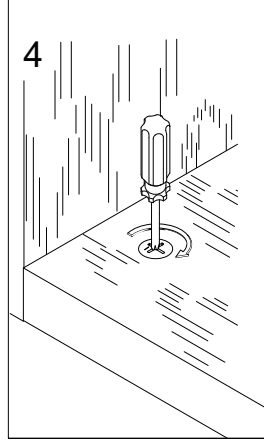


Step 4

Turn the female camlock clockwise with a screwdriver.

You should feel a click when the camlock is locked in place.

The joint is now secure.



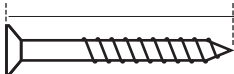
Tools required



Phillips screwdriver
(medium & large)

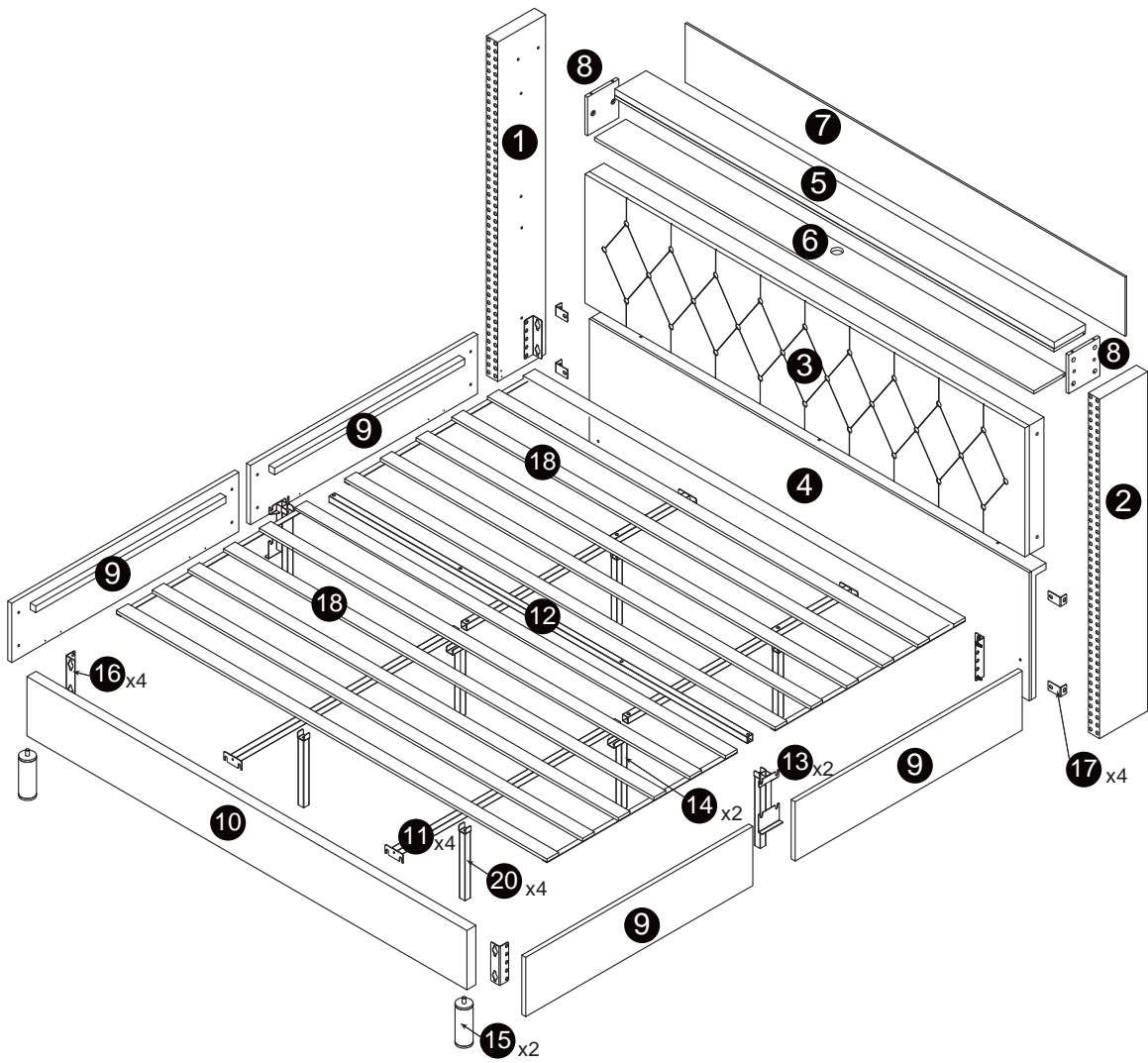
Ruler - Use this ruler to help correctly identify the screws

0 5 10 15 20 25 30 35 40 45 50 55 60 65 70 75 80 85 90 95 100 105 110 115 120 125 130 135 140 145 150 155 160 165 170



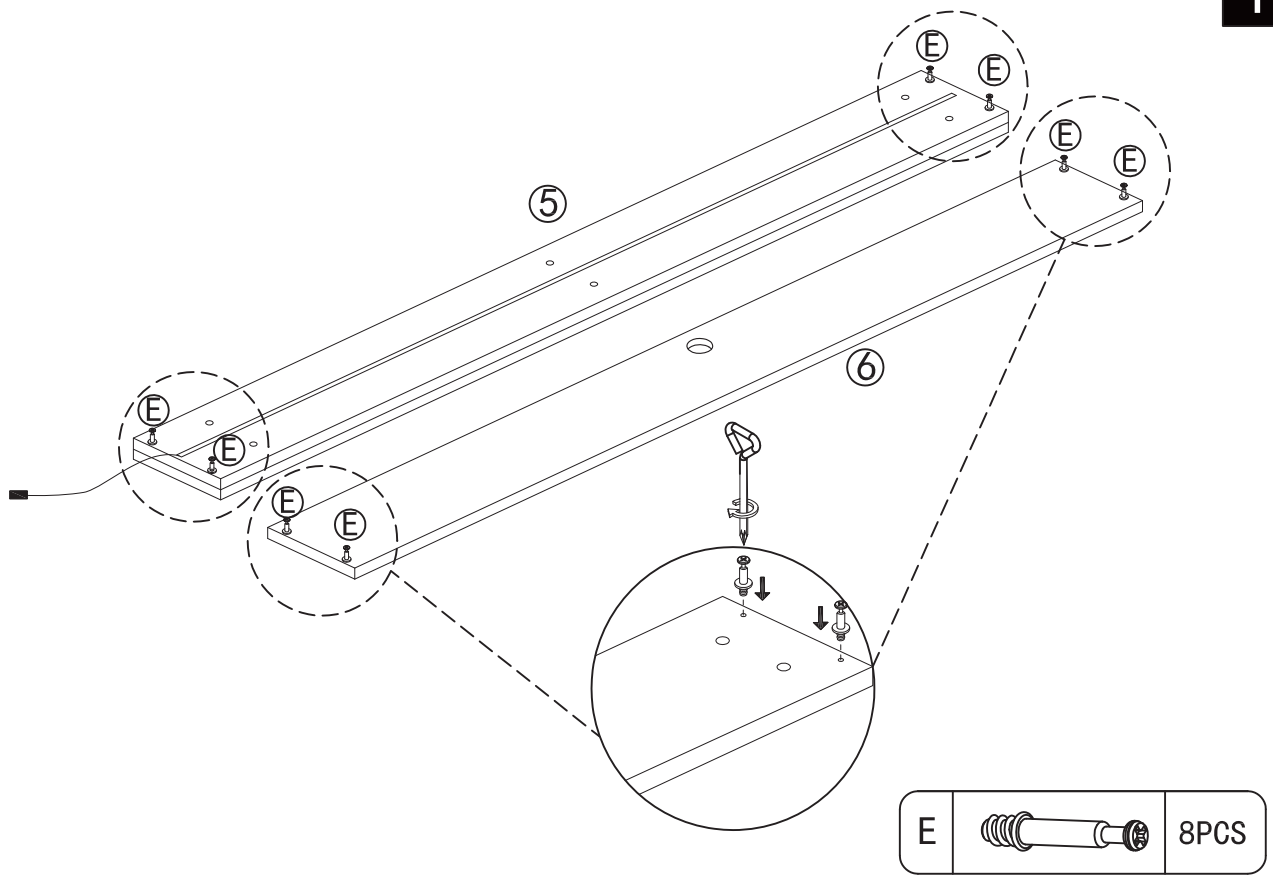
The screws length is measured from the head to the point (30mm screw shown).

ASSEMBLY INSTRUCTIONS

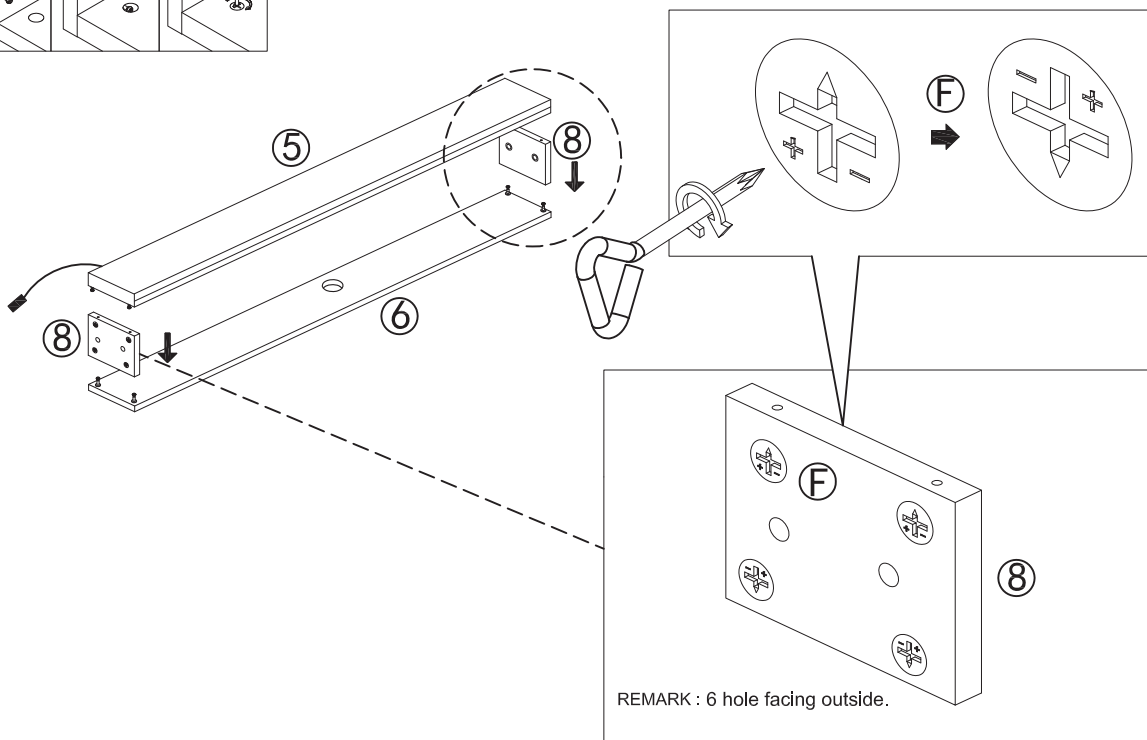
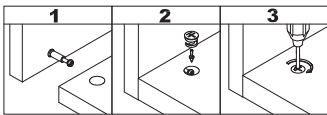


ASSEMBLY INSTRUCTIONS

1

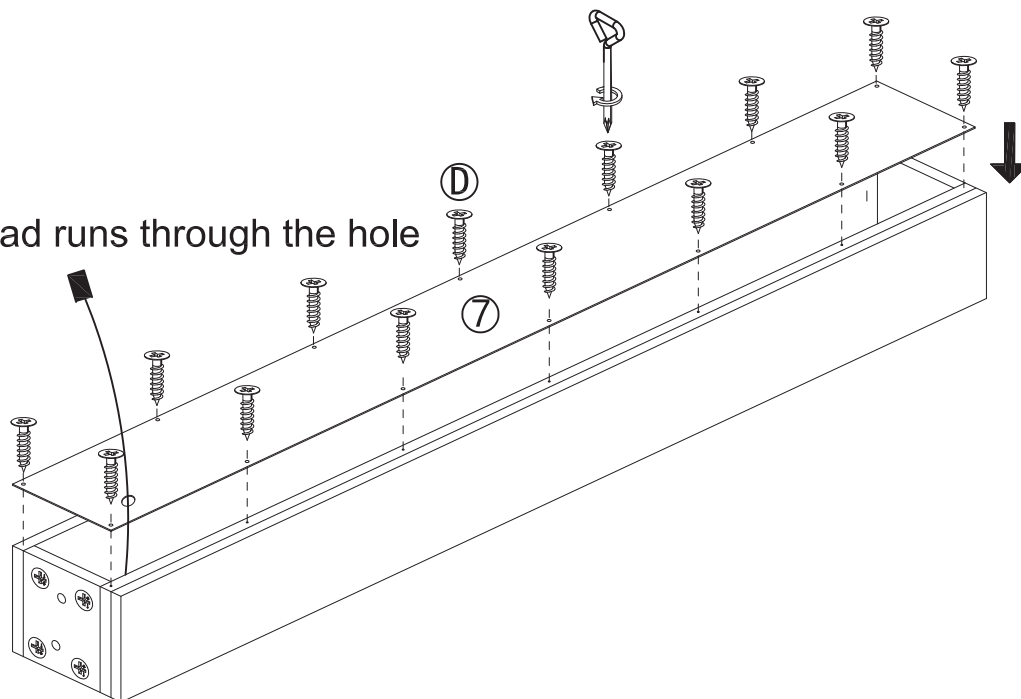



2



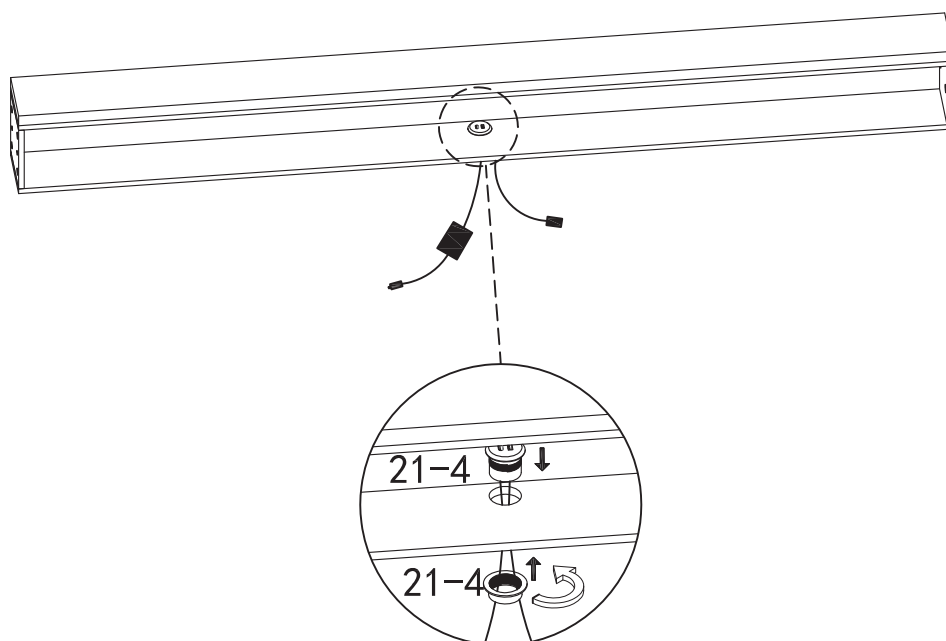
3

The thread runs through the hole

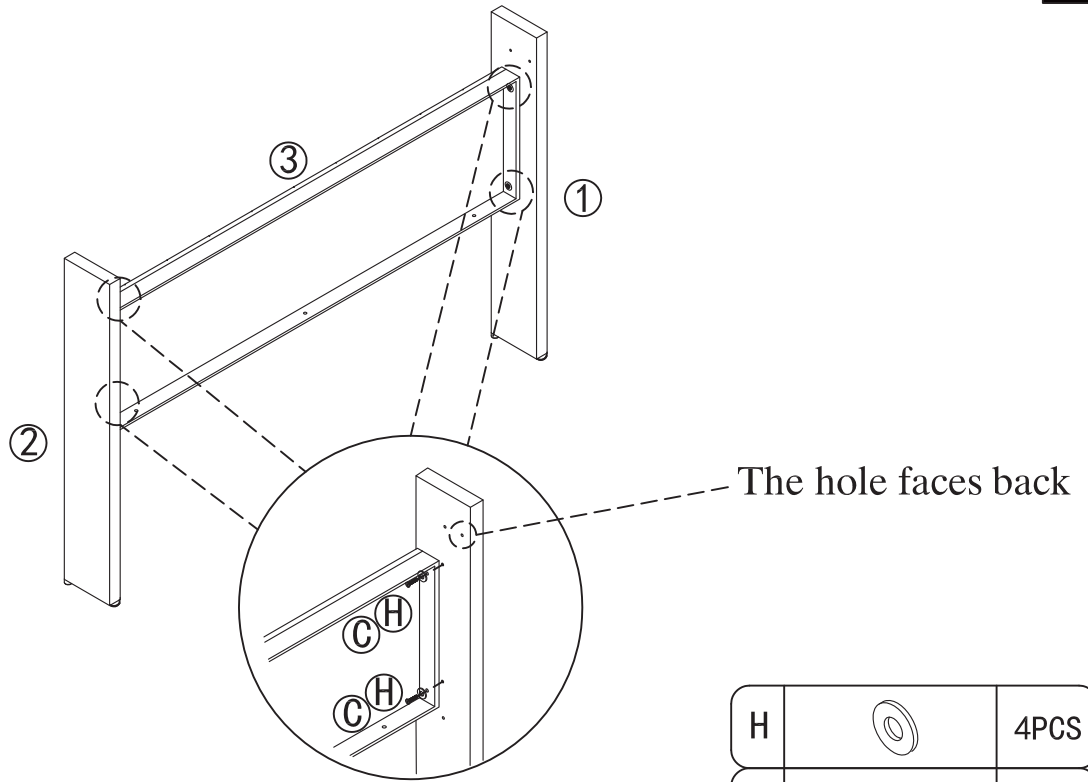


| | | |
|---|---|-------|
| D |  | 14PCS |
|---|---|-------|


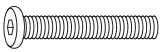
4



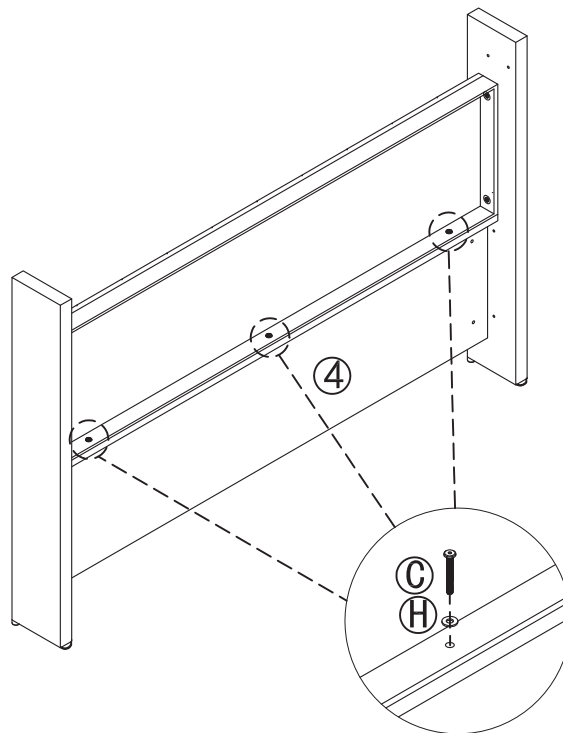
5





Back Side

| | | |
|---|---|------|
| H |  | 4PCS |
| C |  | 4PCS |

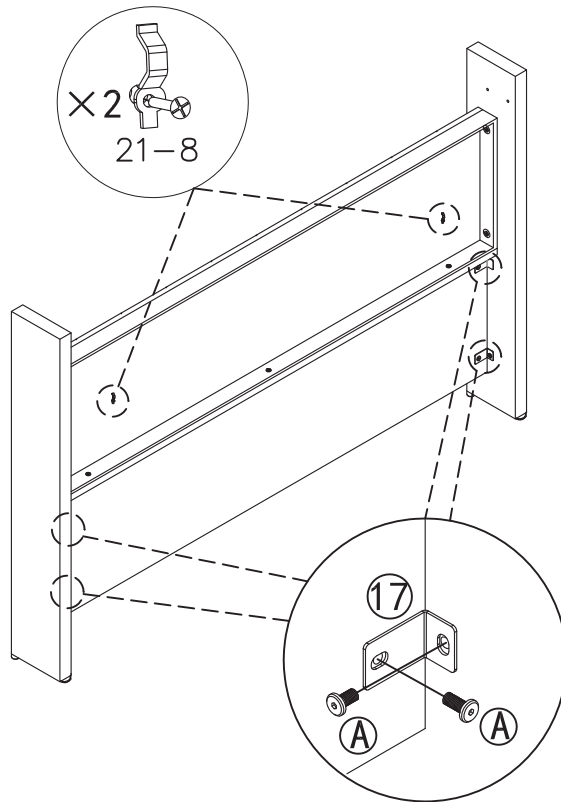
6



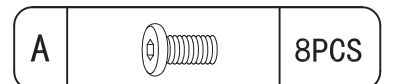
Back Side

| | | |
|---|---|------|
| H |  | 3PCS |
| C |  | 3PCS |

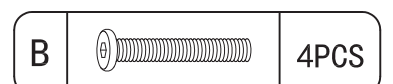
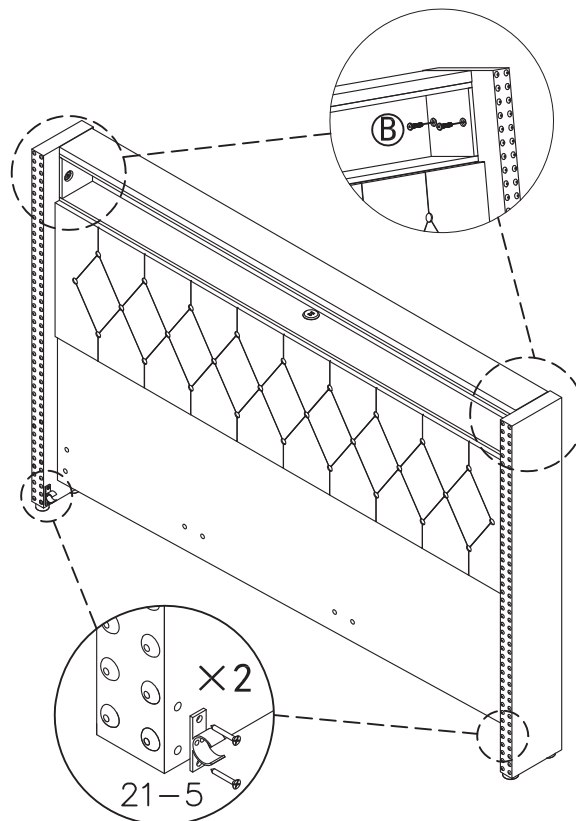
7



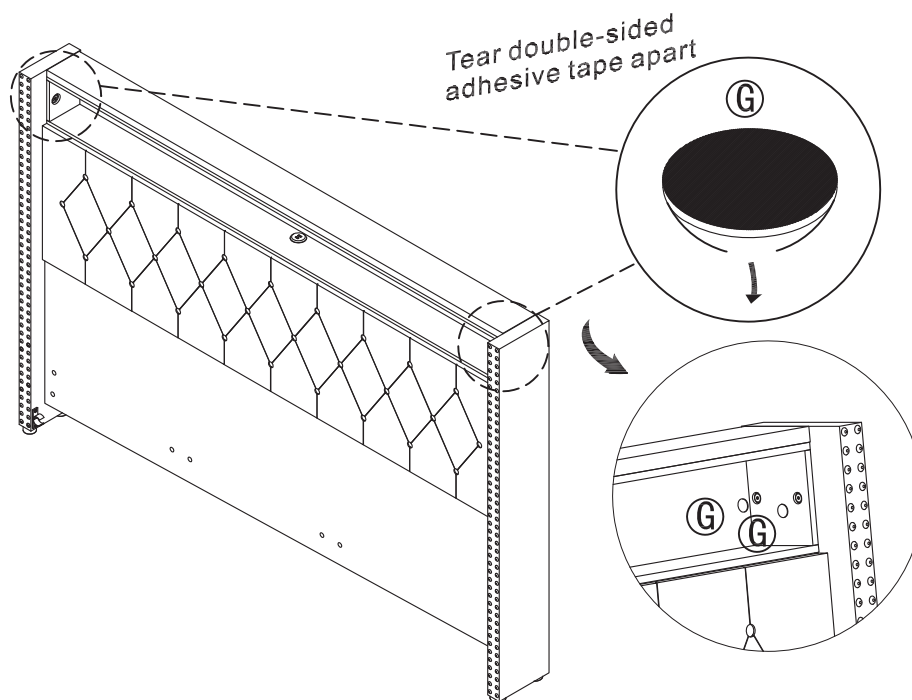
Back Side




8

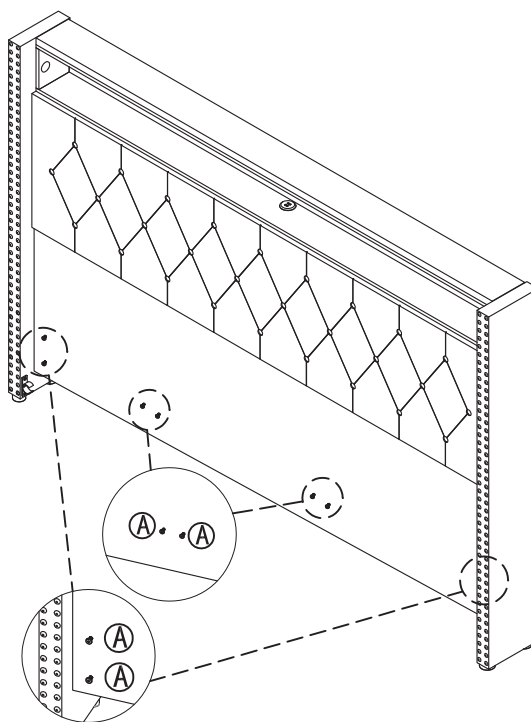


9

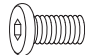


| | | |
|---|---|------|
| G |  | 4PCS |
|---|---|------|

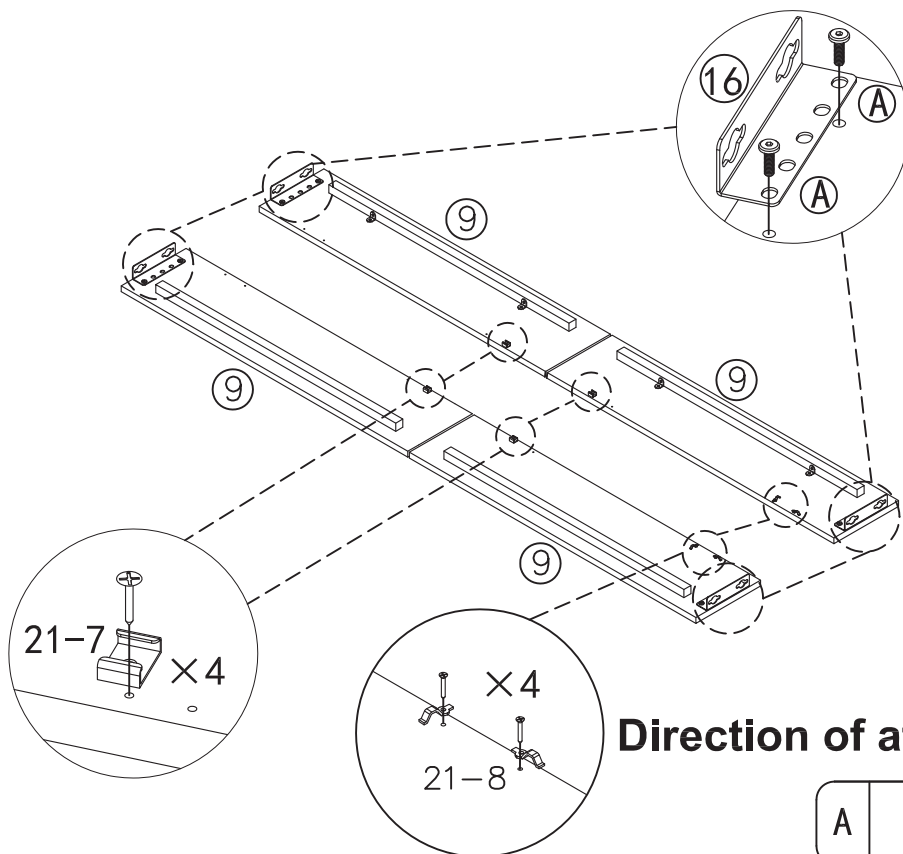
10



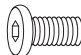
Pre-locking screw "A"

| | | |
|---|---|------|
| A |  | 8PCS |
|---|---|------|

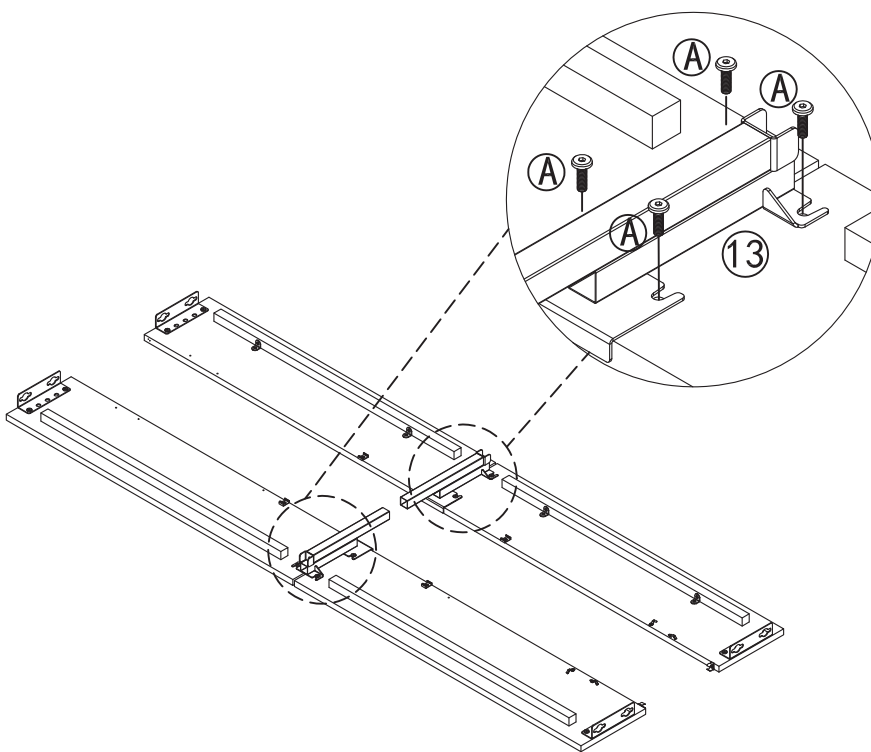
11

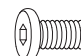


Direction of attention

| | | |
|---|---|------|
| A |  | 8PCS |
|---|---|------|

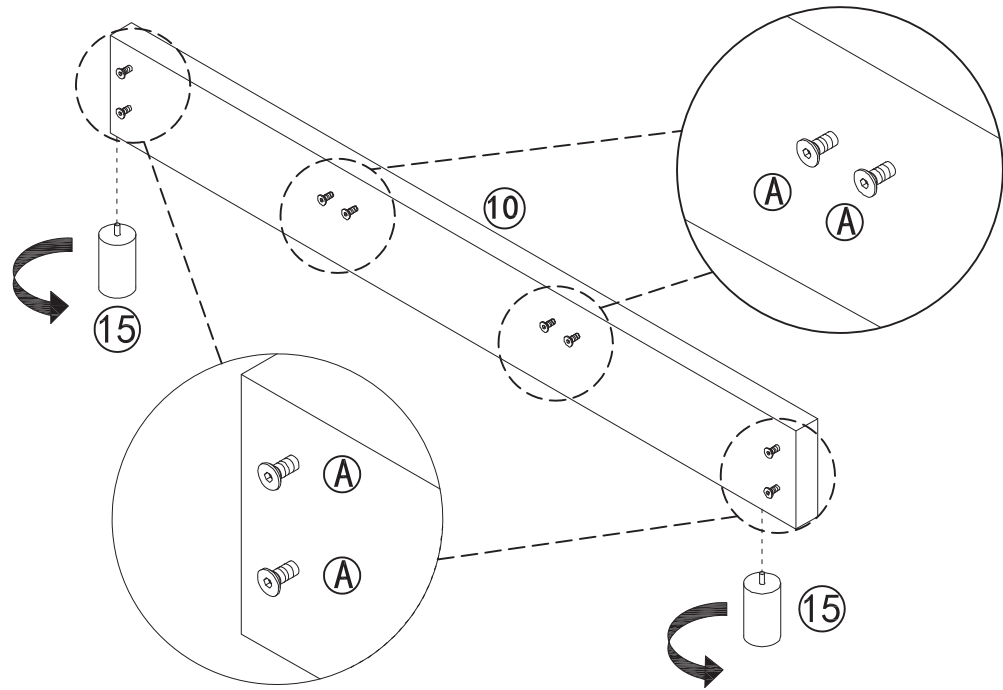
12



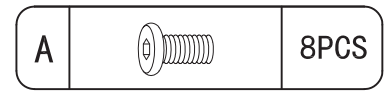
| | | |
|---|---|------|
| A |  | 8PCS |
|---|---|------|

Pre-locking screw "A"

13

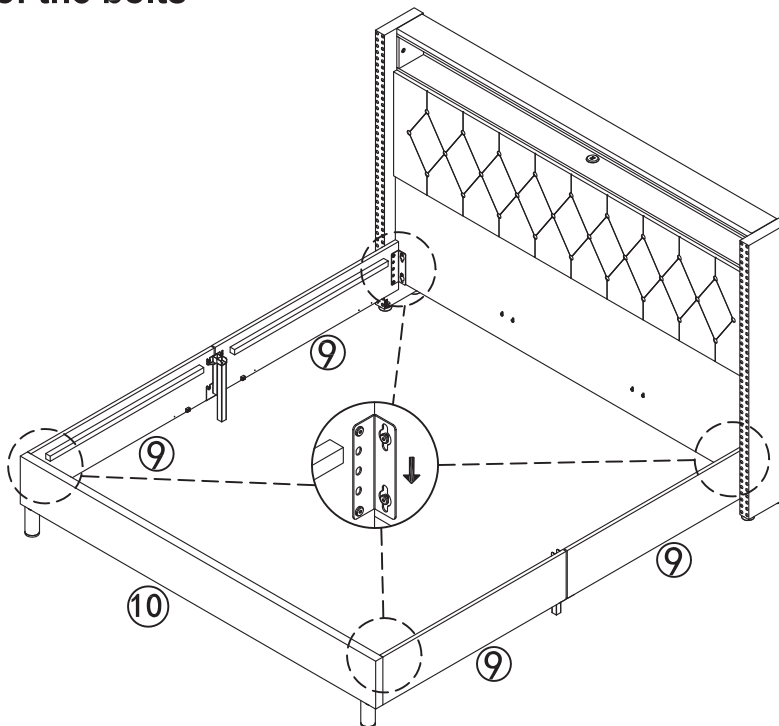


Pre-locking screw "A"

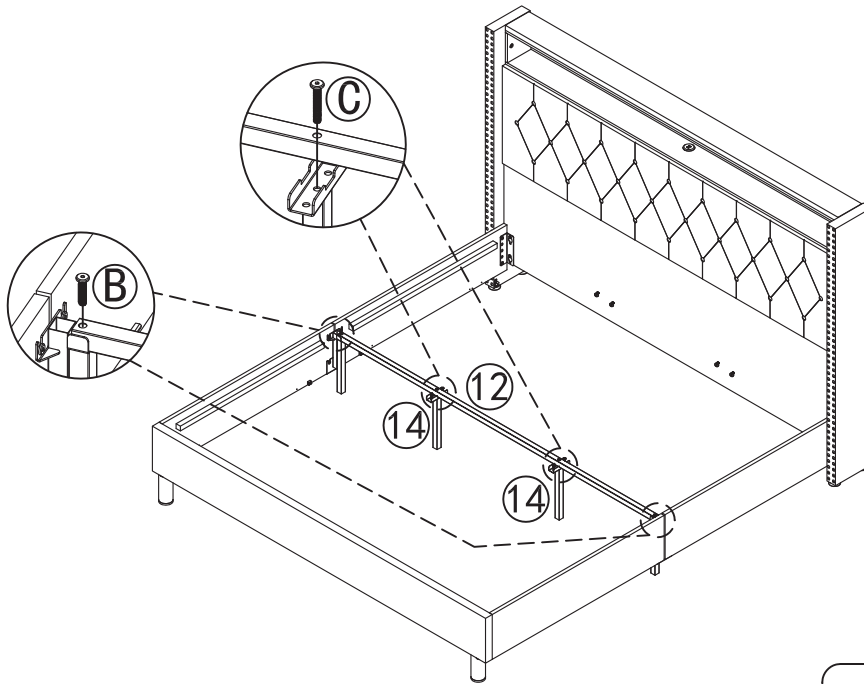


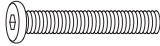

Tighten all of the bolts

14



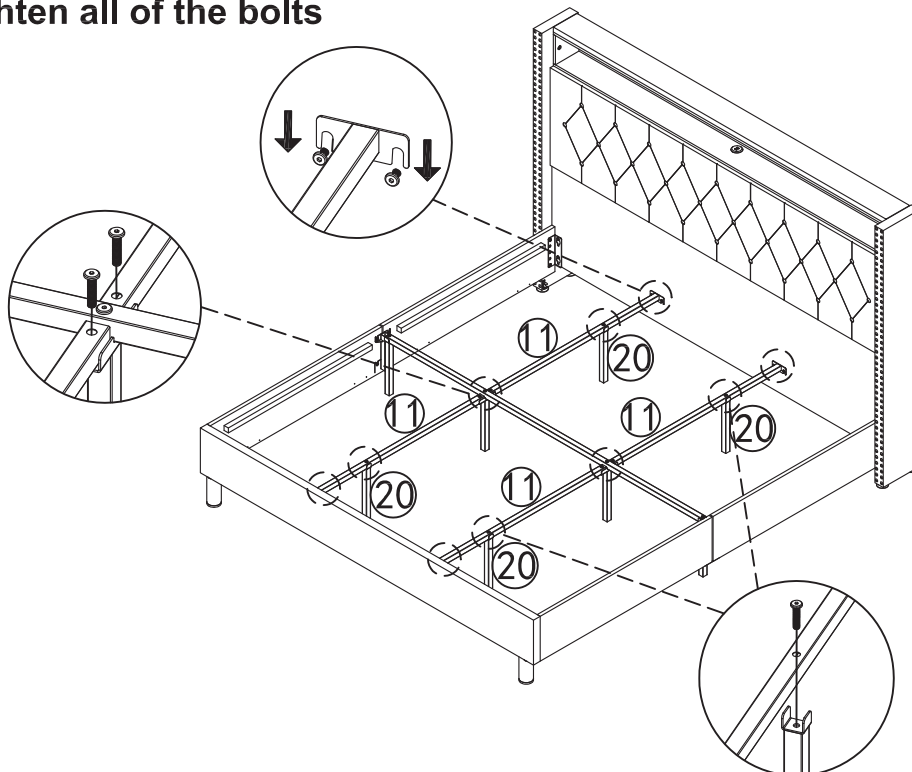
15

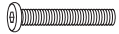


| | | |
|---|---|------|
| C |  | 2PCS |
| B |  | 2PCS |

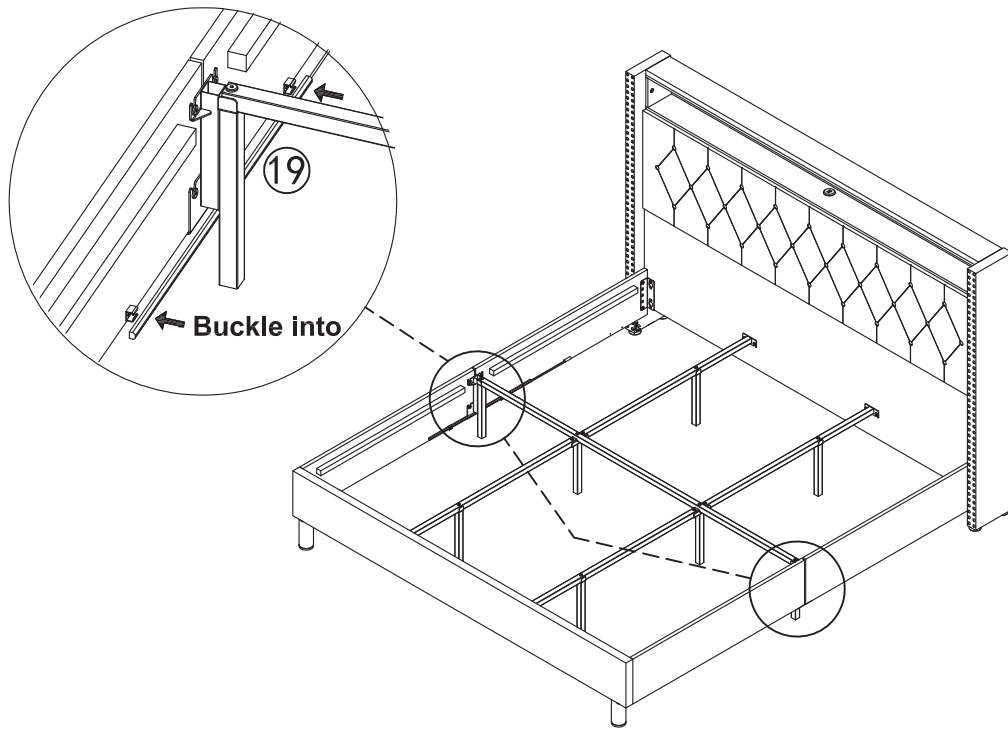
Tighten all of the bolts

16



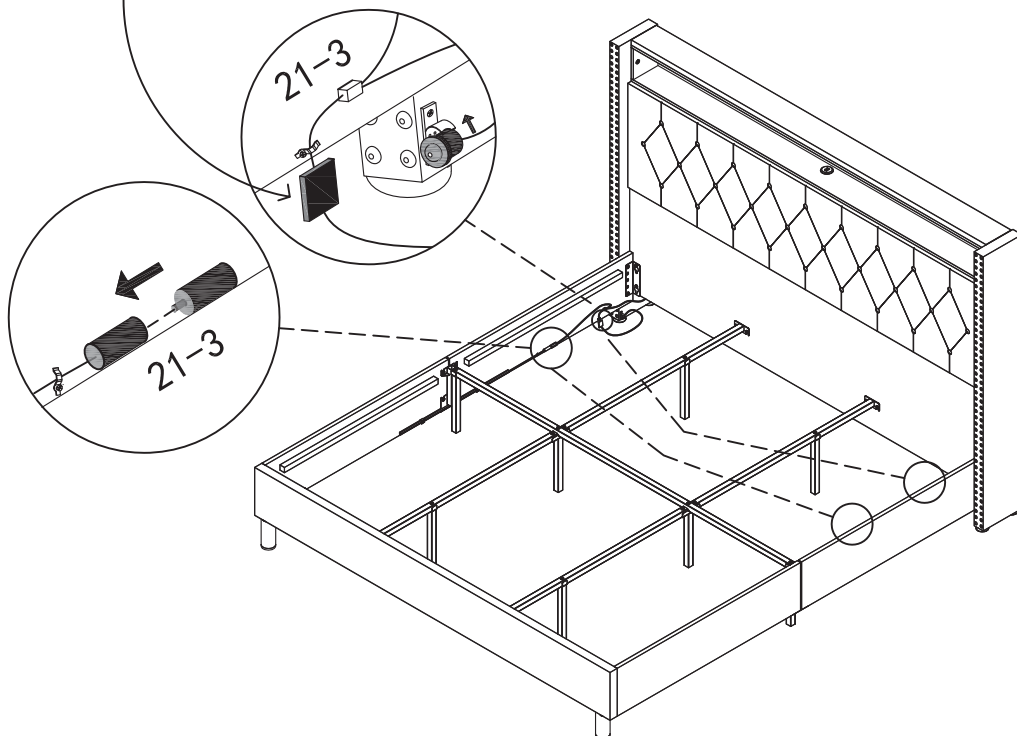
| | | |
|---|---|------|
| B |  | 8PCS |
|---|---|------|

17

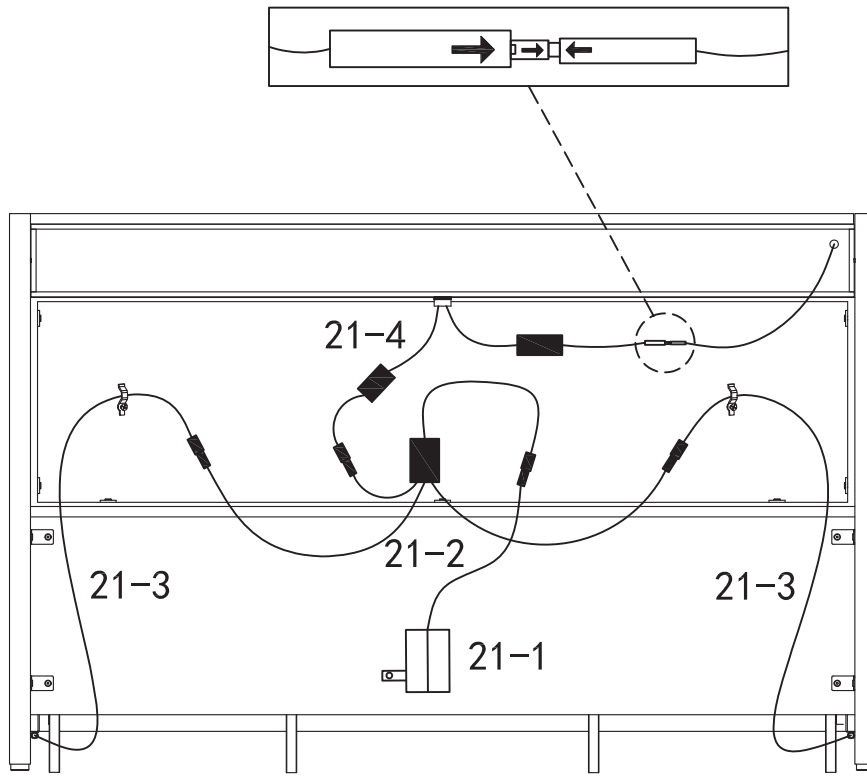


18

The side with the hole facing outward



19



Back Side

20

