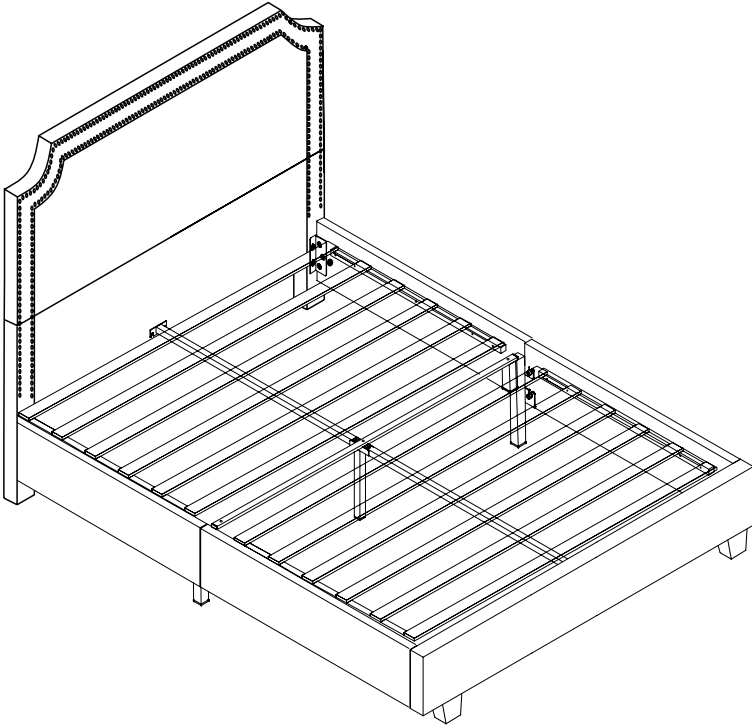


Assembly Instruction

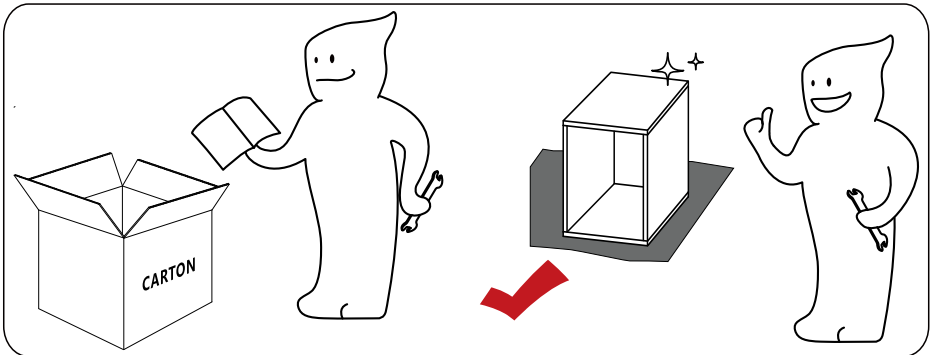
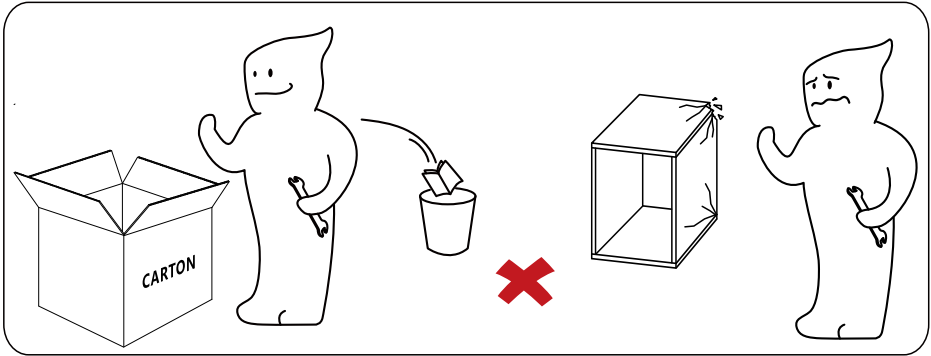


Please check that you have all the parts listed before you start assembling,if you do find that something is missing,do not continue assembly,please contact us immediately.

NOTE:Please do not completely tighten all the hardware until the entire assembly is complete!

! IMPORTANT

Please follow the instruction manuals and use a pad to protect the product during your assembly.

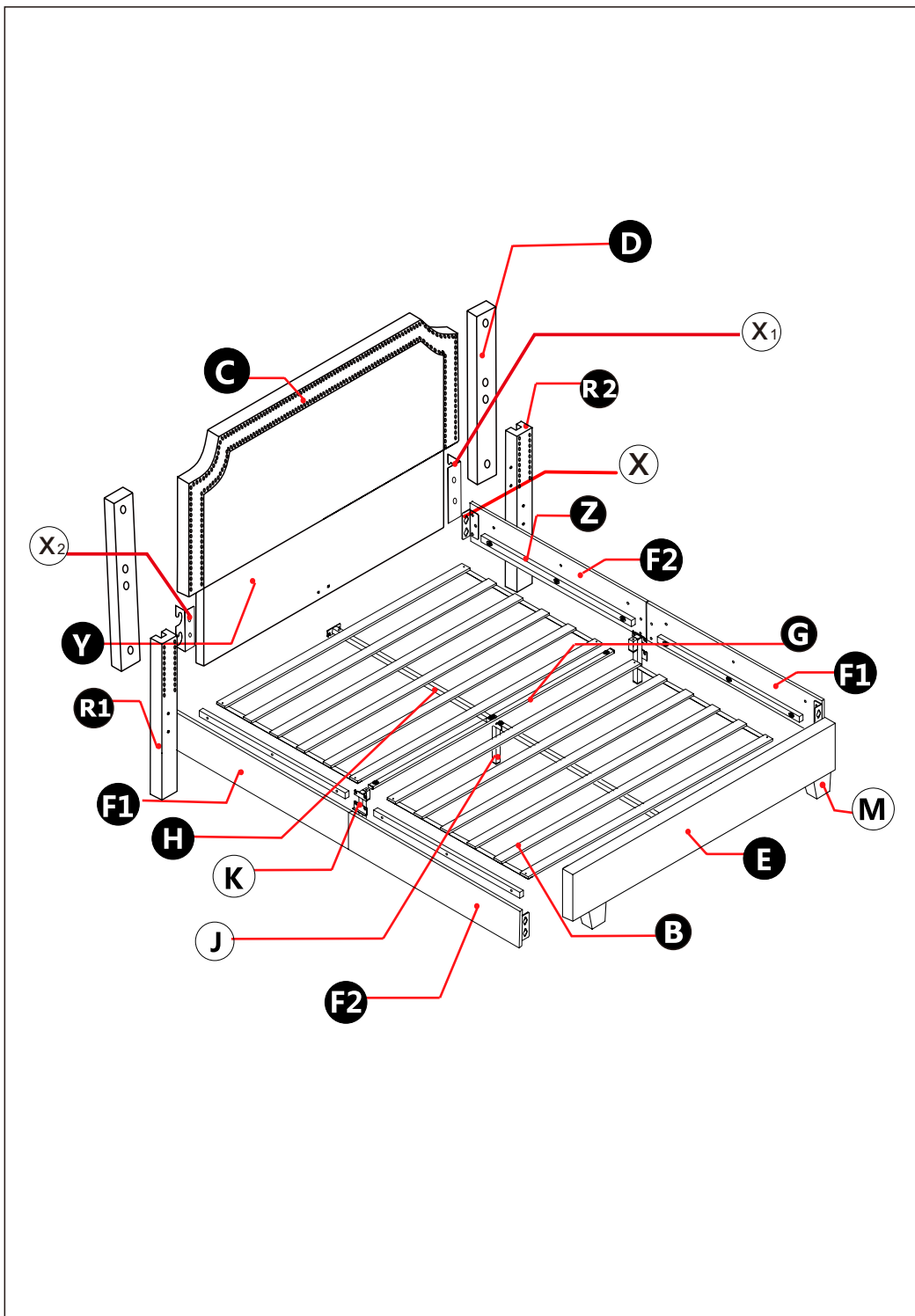


Note:

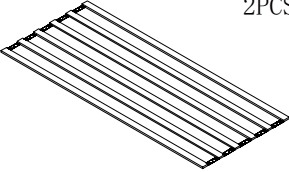
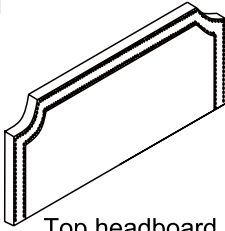
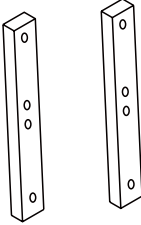
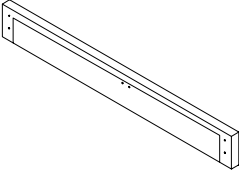
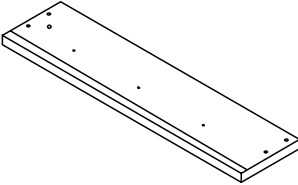
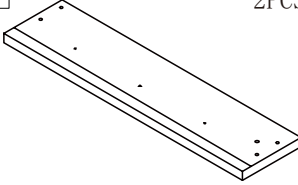
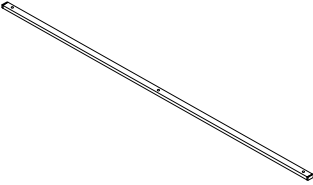
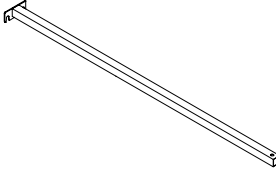
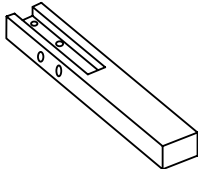
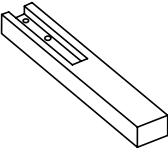
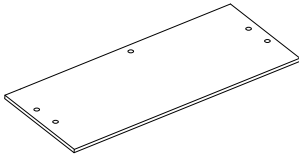
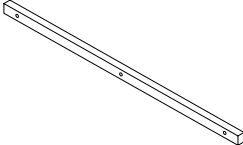
1. Should be assembled on flat ground to keep balance.
2. Before completing the installation, do not tighten the screws.



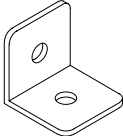
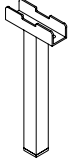
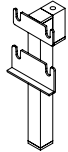
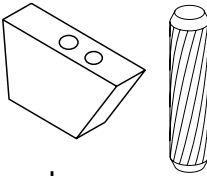
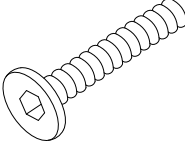
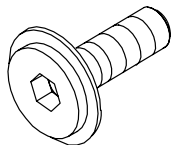
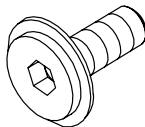
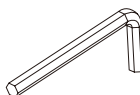
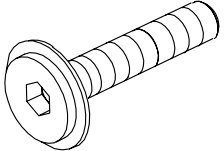
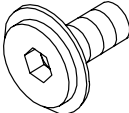
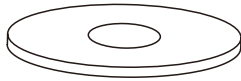
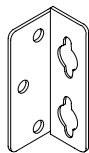
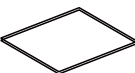
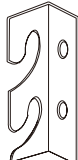
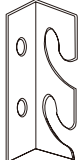
For easier and better assembly, **2** or more adults are required.



BED FRAME PARTS LIST

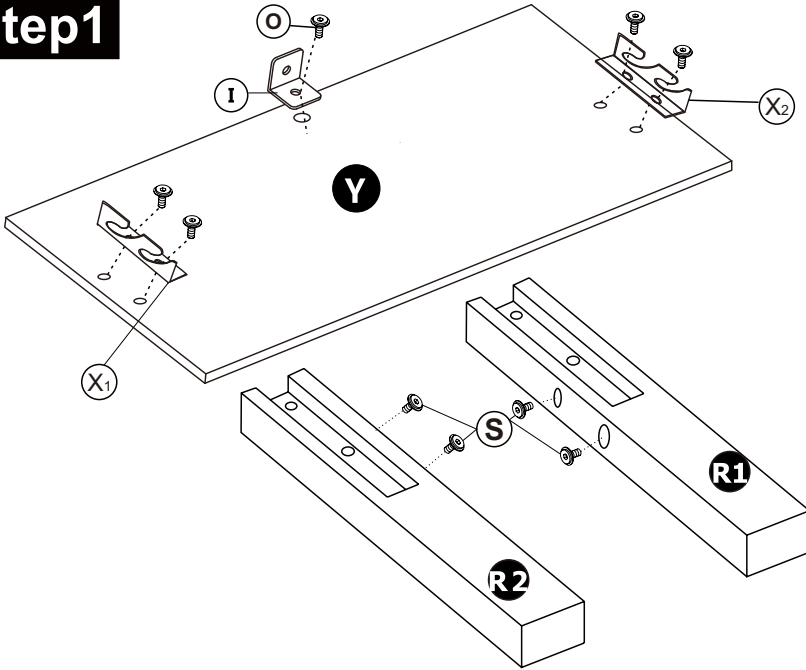
<p>B 2PCS</p>  <p>Slat</p>	<p>C 1PC</p>  <p>Top headboard</p>	<p>D 2PCS</p> 
<p>E 1PC</p>  <p>Footboard</p>	<p>F1 2PCS</p>  <p>side rail</p>	<p>F2 2PCS</p>  <p>side rail</p>
<p>G 1PC</p>  <p>Cross bar</p>	<p>H 4PCS</p>  <p>Middle support bar</p>	<p>R1 1PC</p>  <p>Left wing</p>
<p>R2 1PC</p>  <p>Right wing</p>	<p>Y 1PC</p>  <p>Bottom headboard</p>	<p>Z 4PCS</p>  <p>side bar</p>

FITTING PART LIST

I  1PC Connector	J  1PC Support leg	K  2PCS side leg
M  2PCS Leg	L  2PCS M8*70	N  17PCS M8*35
O  18PCS M8*25	P  1PC M6	Q  8PCS M8*55
S  24PCS M8*18	T  2PCS M8*18	X  4PCS Connector
U  2PCS	X₁  1PC Connector	X₂  1PC Connector

ASSEMBLY INSTRUCTIONS

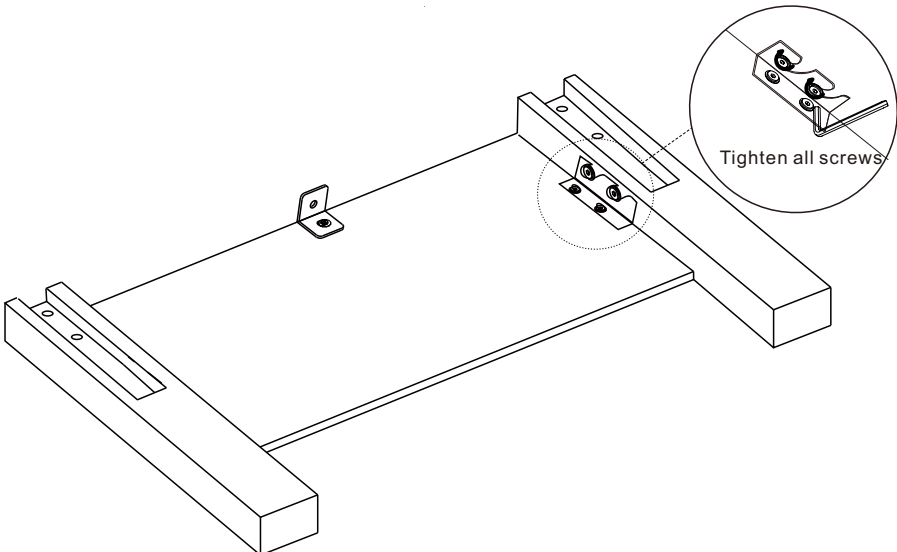
step1



	S x 4pcs
	X ₁ x 1 pc
	X ₂ x 1 pc
	O x 5 pcs
	I x 1 pc
	P x 1pc

70% pre-screwed

step2

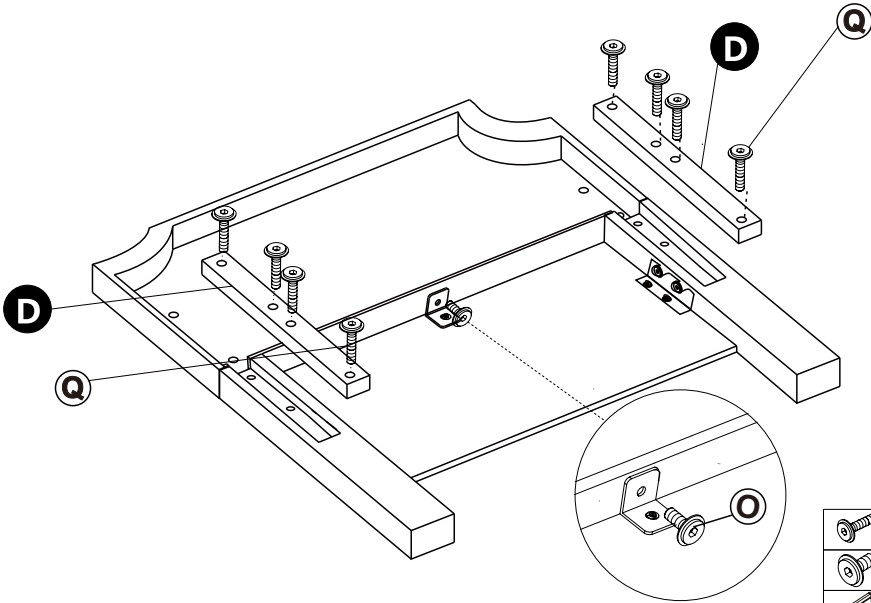


	P x 1pc
--	---------

ASSEMBLY INSTRUCTIONS

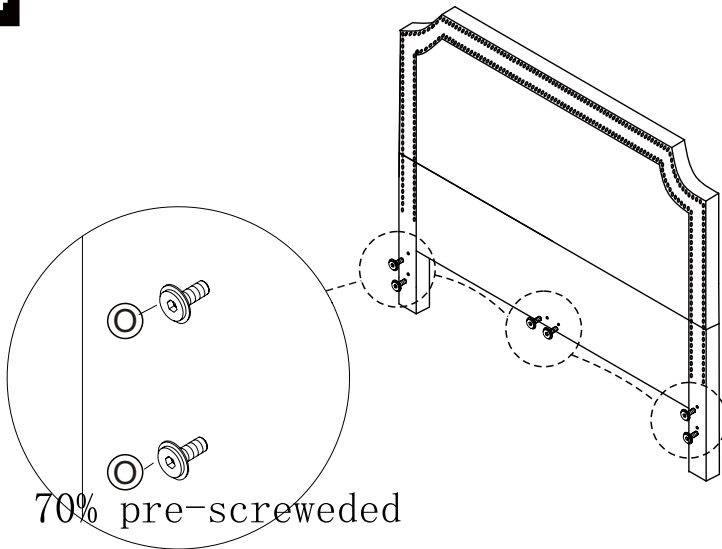
step3

During the assembly, please first half-tighten all the screws into the holes. After all the screws are set, fully tighten them.



	Qx8pcs
	Ox1pc
	Px1pc

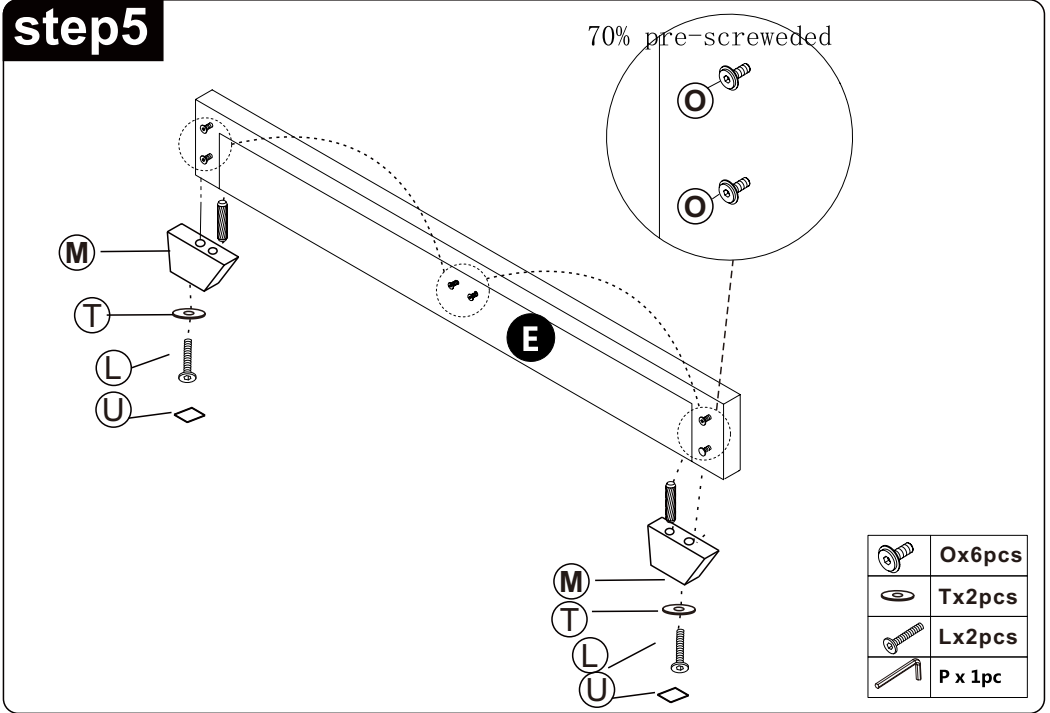
step4



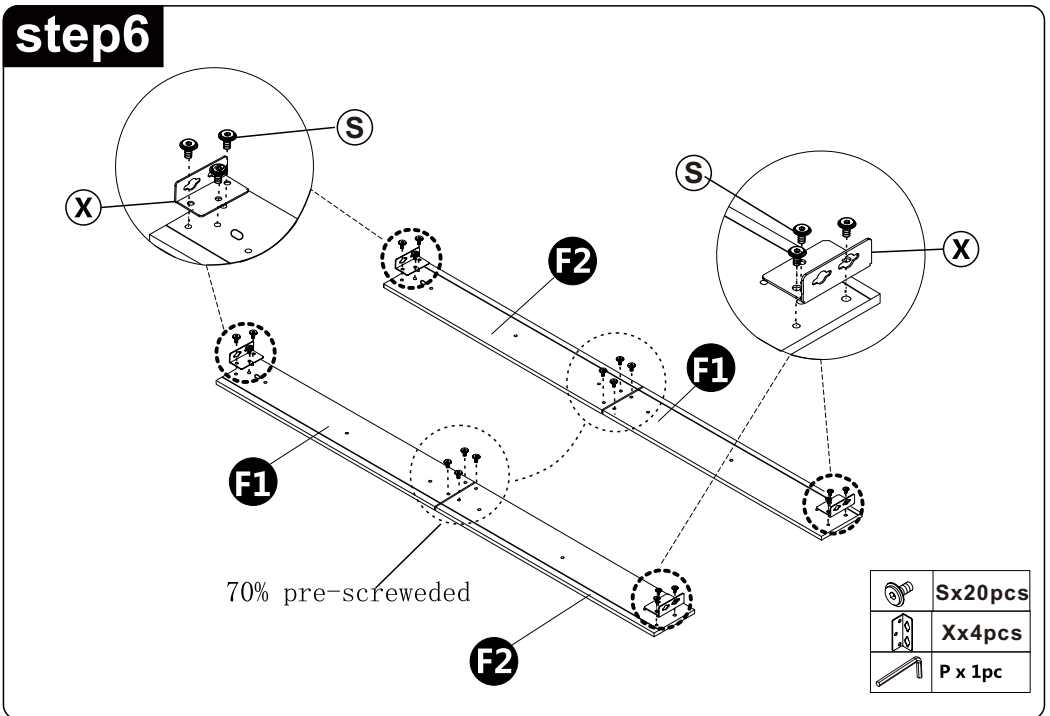
70% pre-screwed

	Ox6pcs
	Px1pc

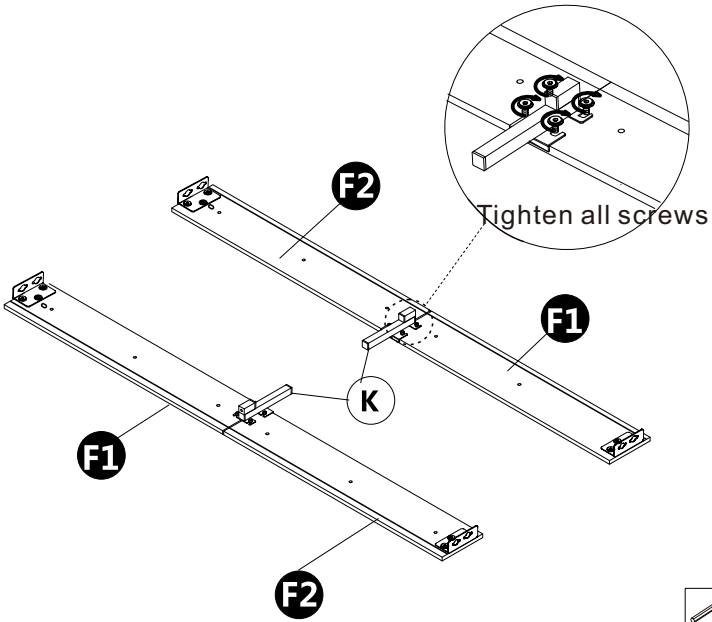
step5



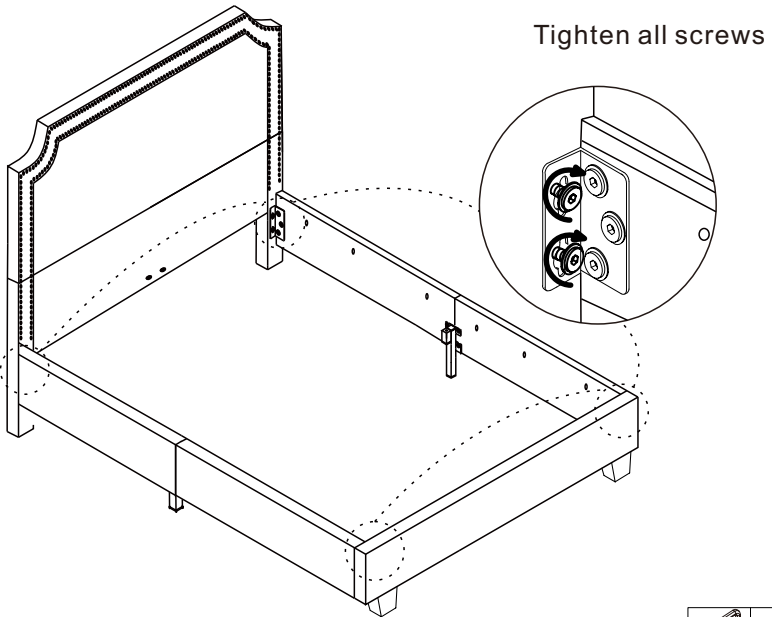
step6



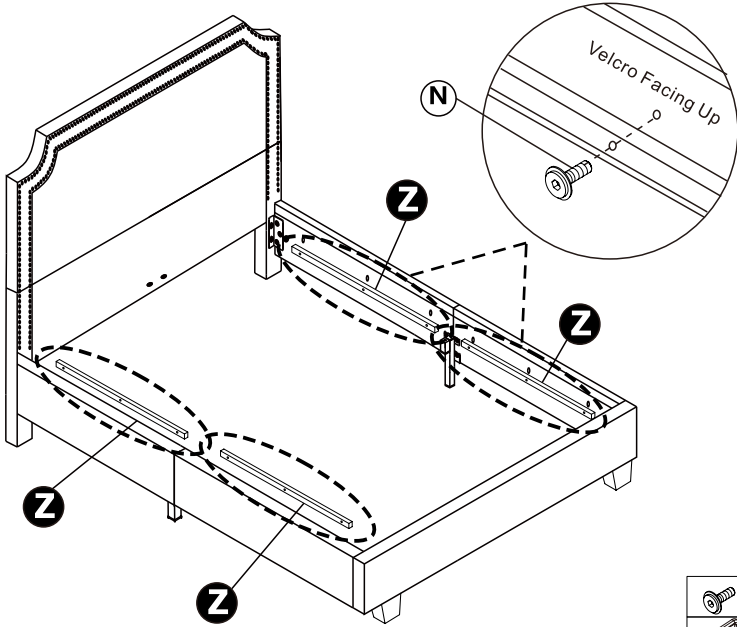
step7





step8

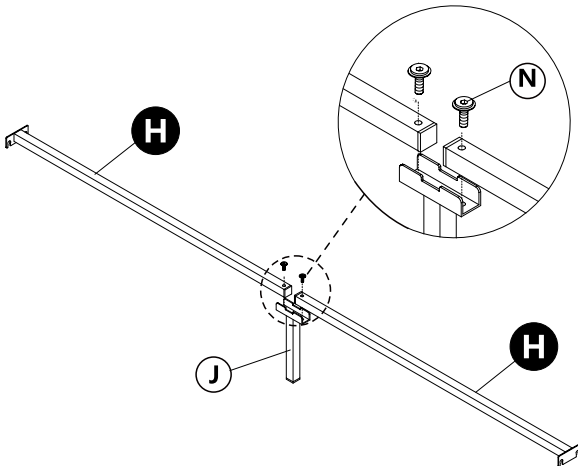




step9



	N x 12 pcs
	P x 1 pc

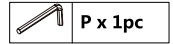
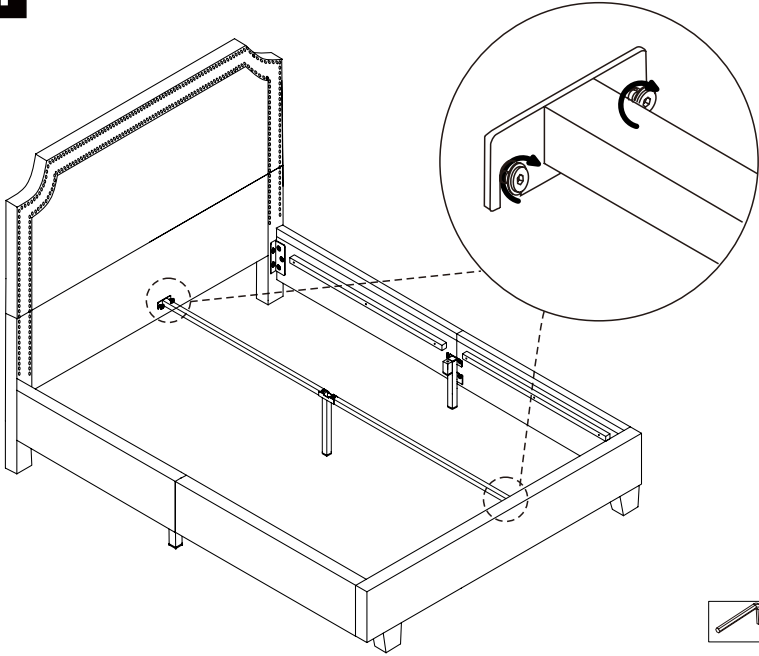
step10



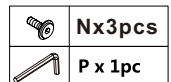
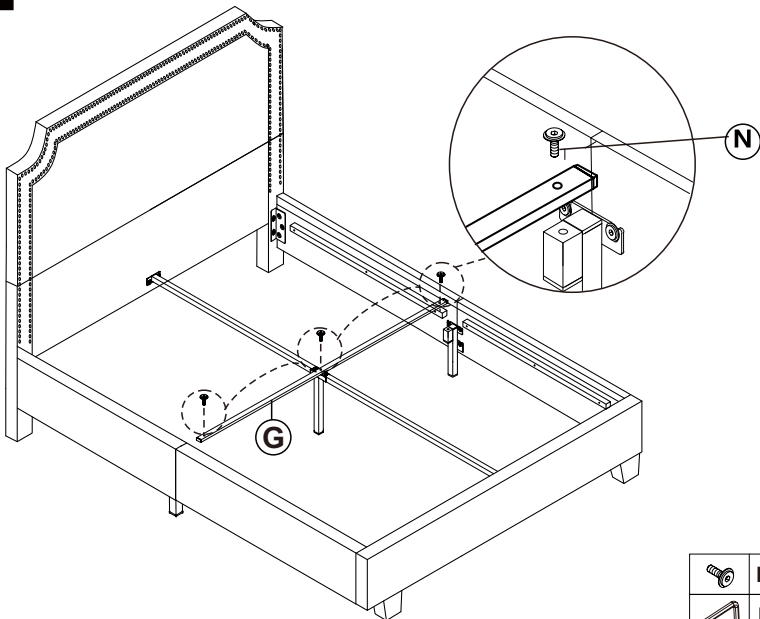
	N x 2 pcs
	P x 1 pc

step11

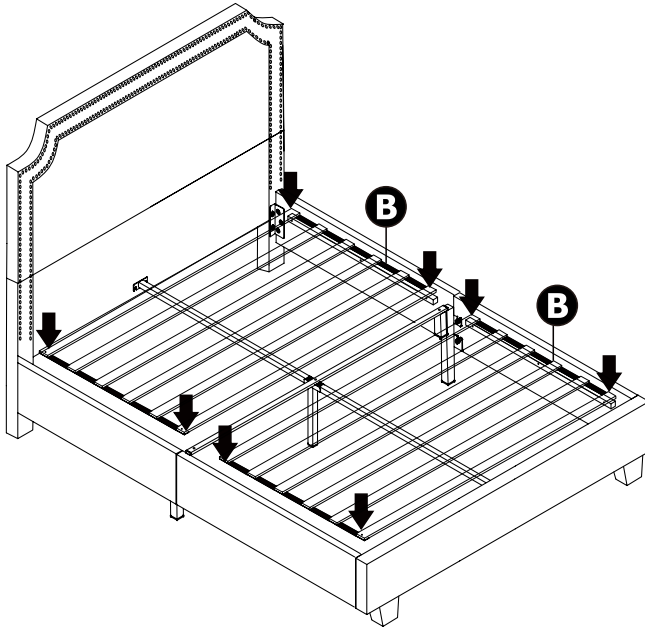
Tighten all screws



step12



step13



step14

