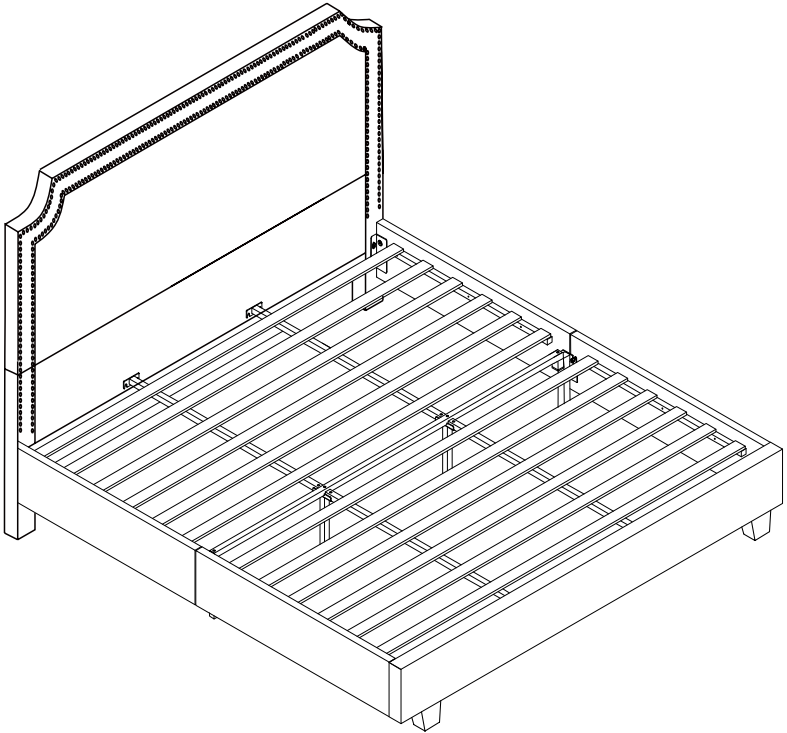


Assembly Instruction

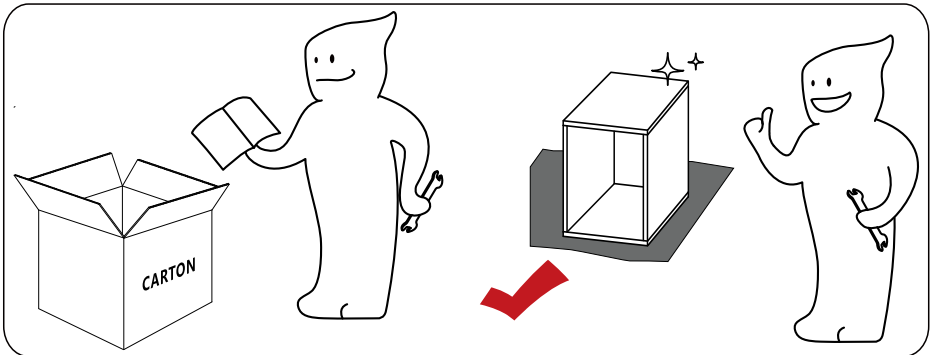
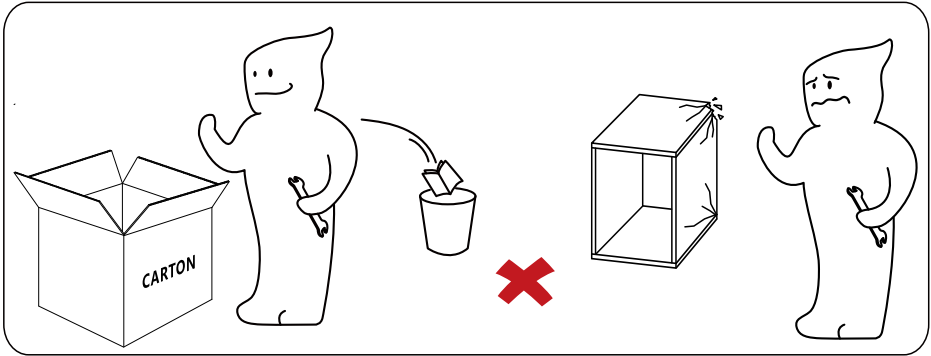


Please check that you have all the parts listed before you start assembling, if you do find that something is missing, do not continue assembly, please contact us immediately.

NOTE: Please do not completely tighten all the hardware until the entire assembly is complete!

! IMPORTANT

Please follow the instruction manuals and use a pad to protect the product during your assembly.

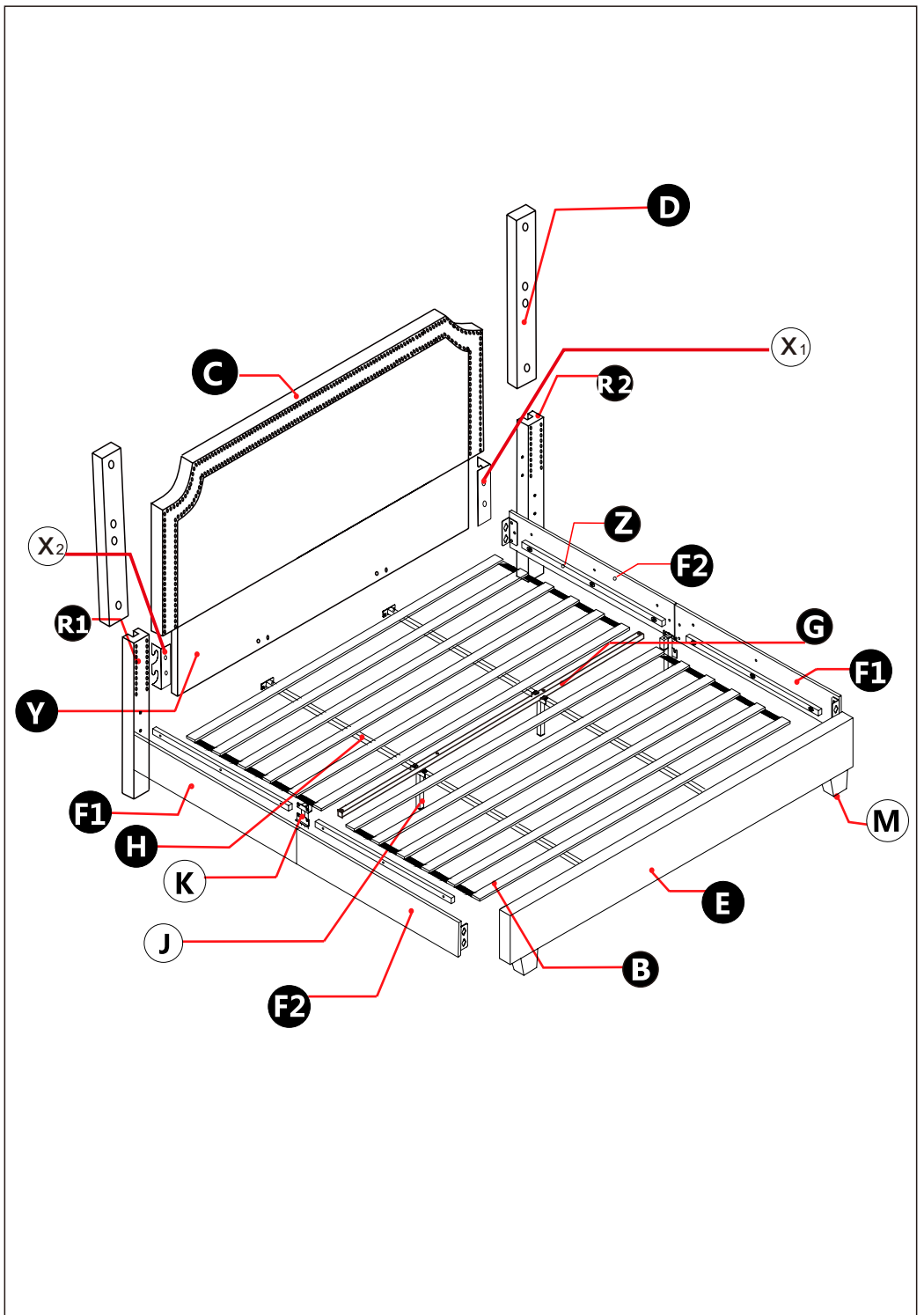


Note:

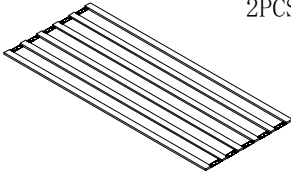
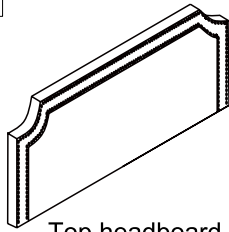
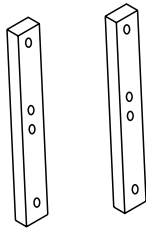
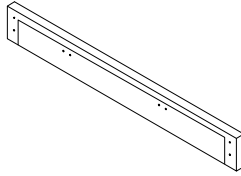
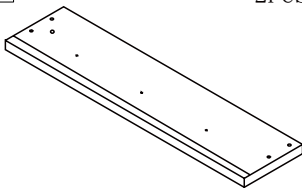
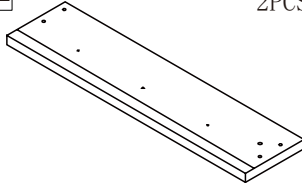
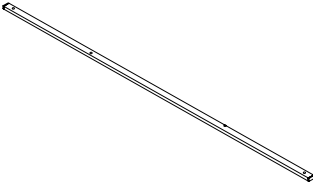
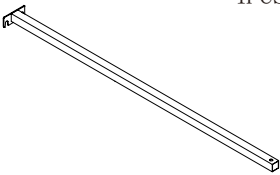
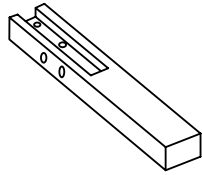
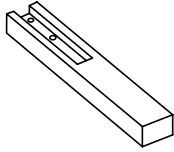
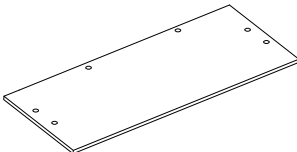
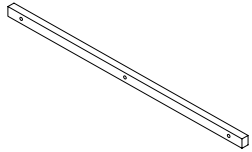
1. Should be assembled on flat ground to keep balance.
2. Before completing the installation, do not tighten the screws.



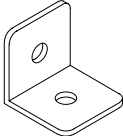
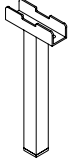
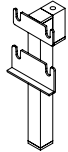
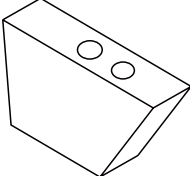
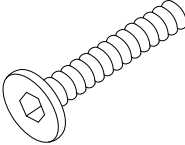
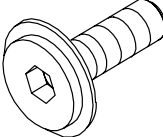
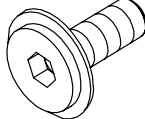
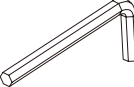
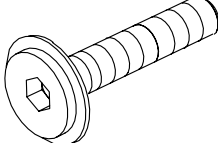
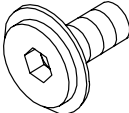
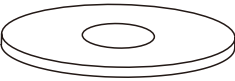
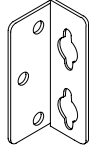
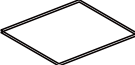
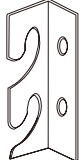
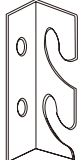
For easier and better assembly, **2** or more adults are required.



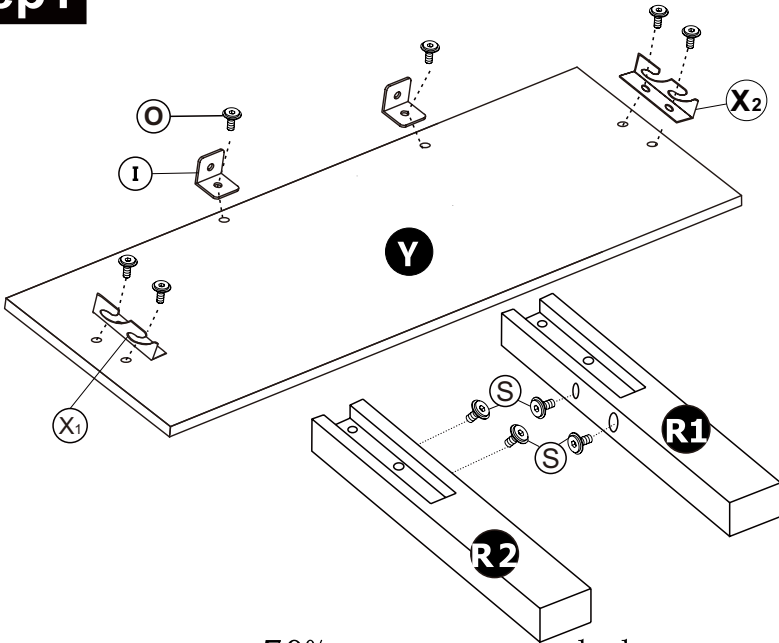
BED FRAME PARTS LIST

<p>B 2PCS</p>  <p>Slat</p>	<p>C 1PC</p>  <p>Top headboard</p>	<p>D 2PCS</p> 
<p>E 1PC</p>  <p>Footboard</p>	<p>F1 2PCS</p>  <p>side rail</p>	<p>F2 2PCS</p>  <p>side rail</p>
<p>G 1PC</p>  <p>Cross bar</p>	<p>H 4PCS</p>  <p>Middle support bar</p>	<p>R1 1PC</p>  <p>Left wing</p>
<p>R2 1PC</p>  <p>Right wing</p>	<p>Y 1PC</p>  <p>Bottom headboard</p>	<p>Z 4PCS</p>  <p>side bar</p>

FITTING PART LIST

I  2PCS Connector	J  2PCS Support leg	K  2PCS side leg
M  2PCS Leg	L  2PCS M8*70	N  20PCS M8*35
O  24PCS M8*25	P  1PC M6	Q  8PCS M8*55
S  24PCS M8*18	T  2PCS M8*18	X  4PCS Connector
U  2PCS	X₁  1PC Connector	X₂  1PC Connector

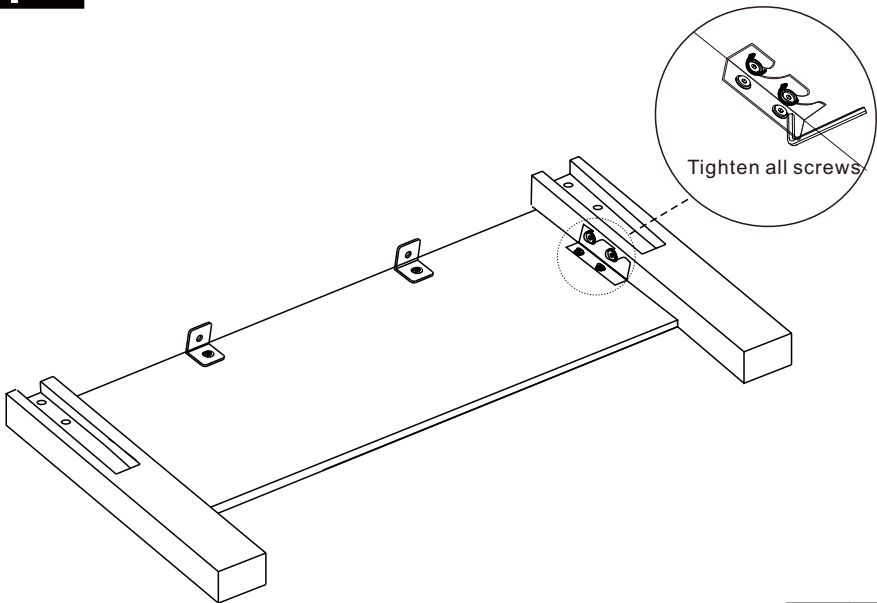
step1



	S x 4pcs
	X ₁ x 1 pc
	X ₂ x 1 pc
	O x 6 pcs
	I x 2 pcs
	P x 1pc

70% pre-screwed

step2

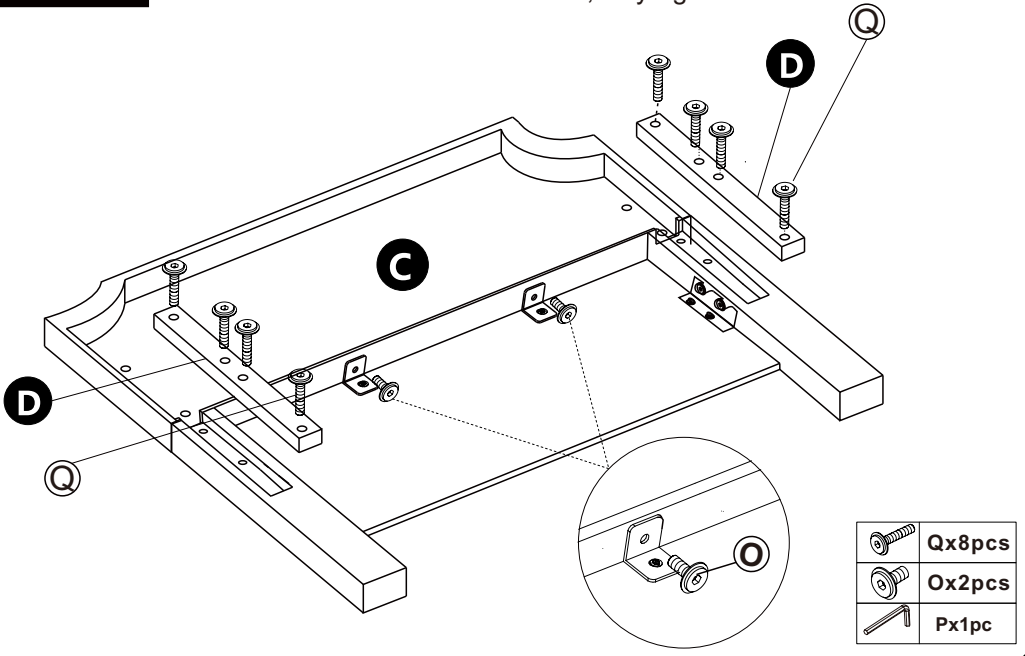


	P x 1pc
--	---------

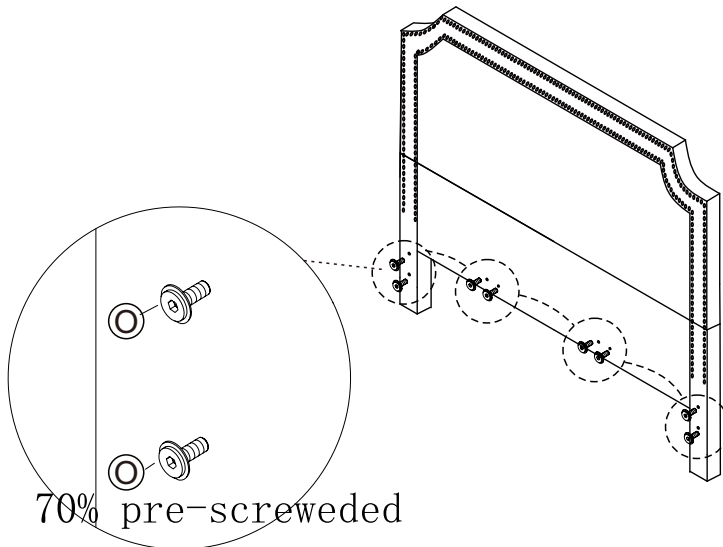
ASSEMBLY INSTRUCTIONS

step3

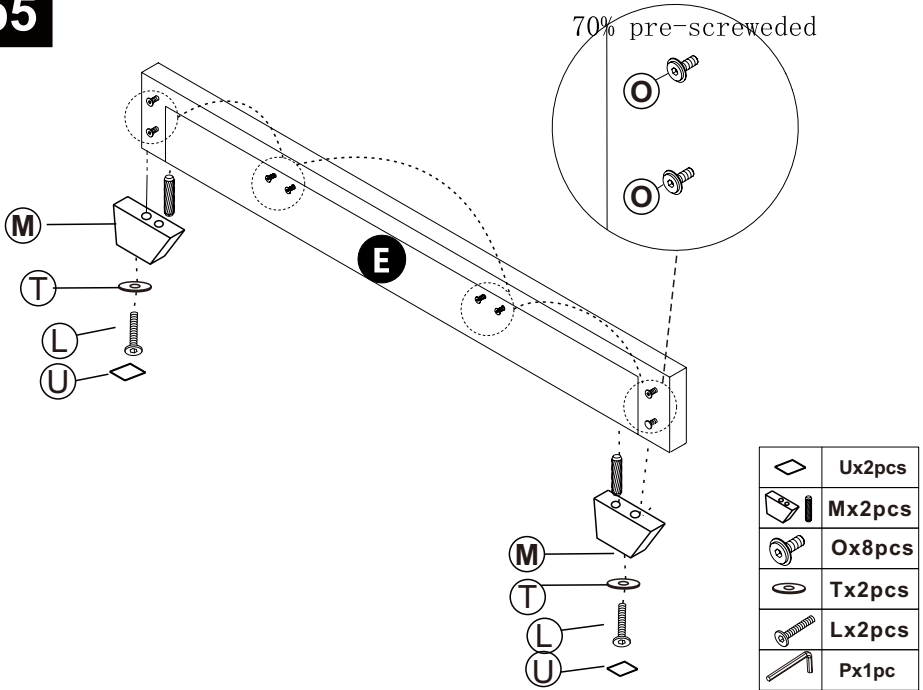
During the assembly, please first half-tighten all the screws into the holes. After all the screws are set, fully tighten them.



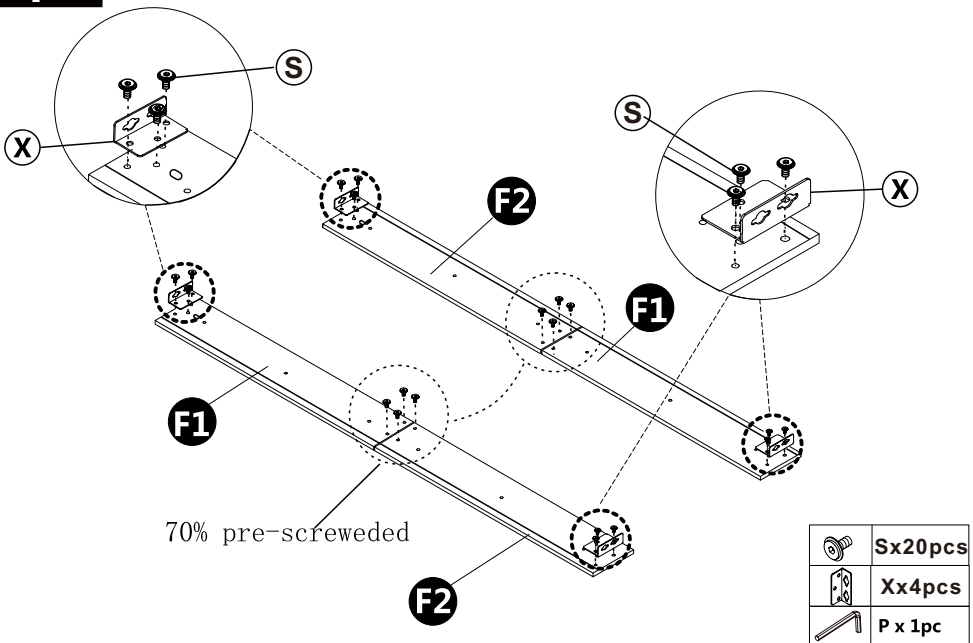
step4



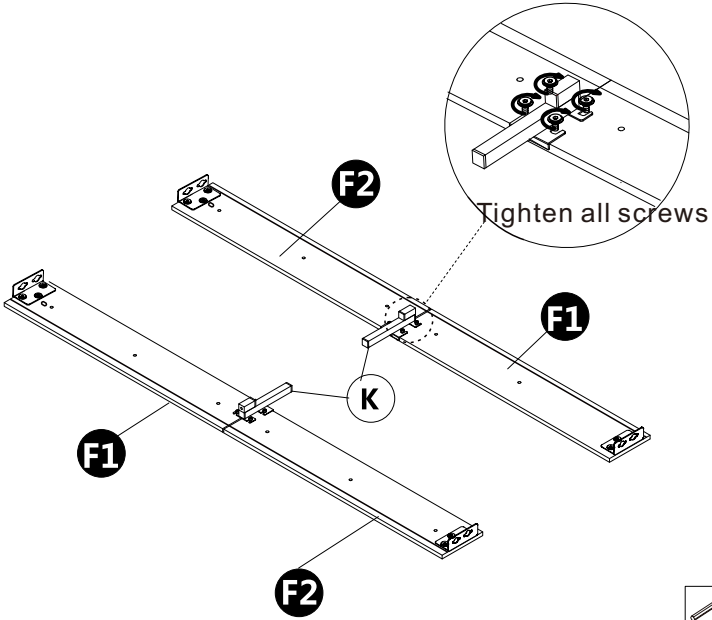
step5




step6

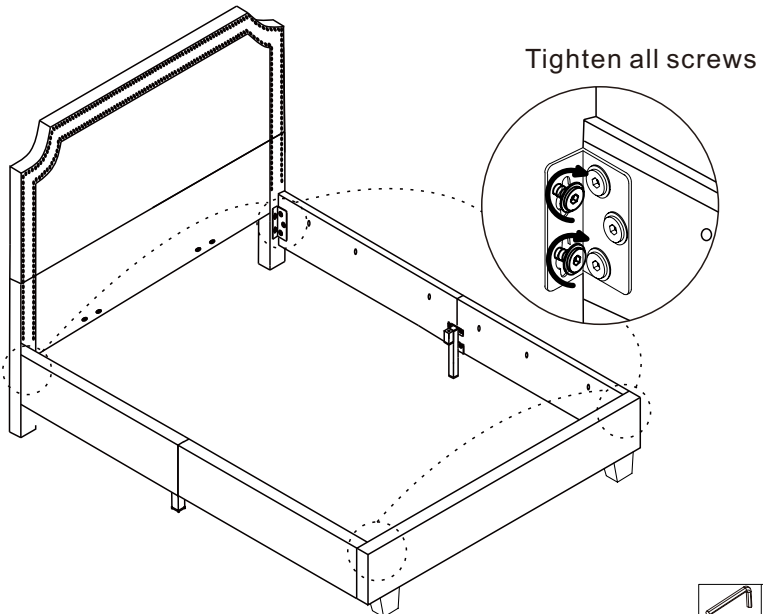



step7



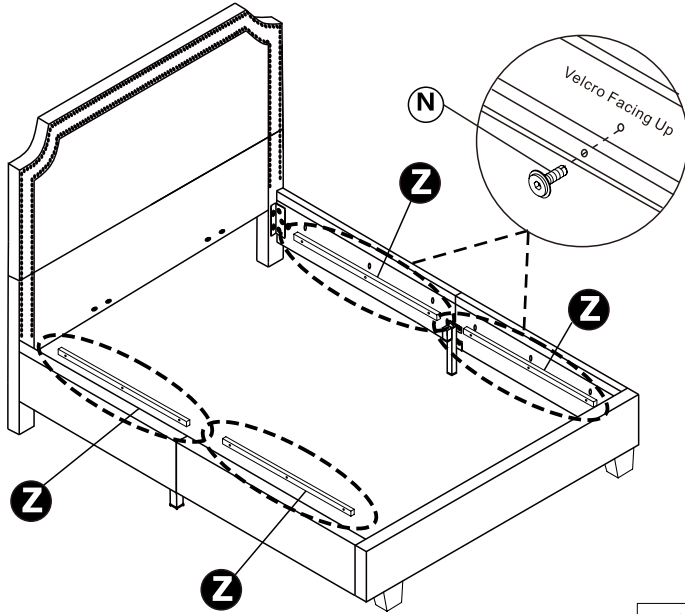
 P x 1pc



step8



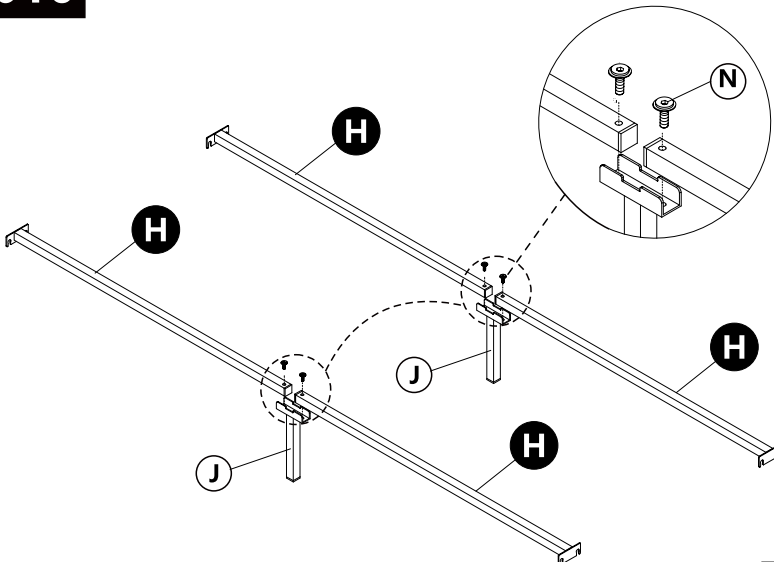
 Px1pc



step9



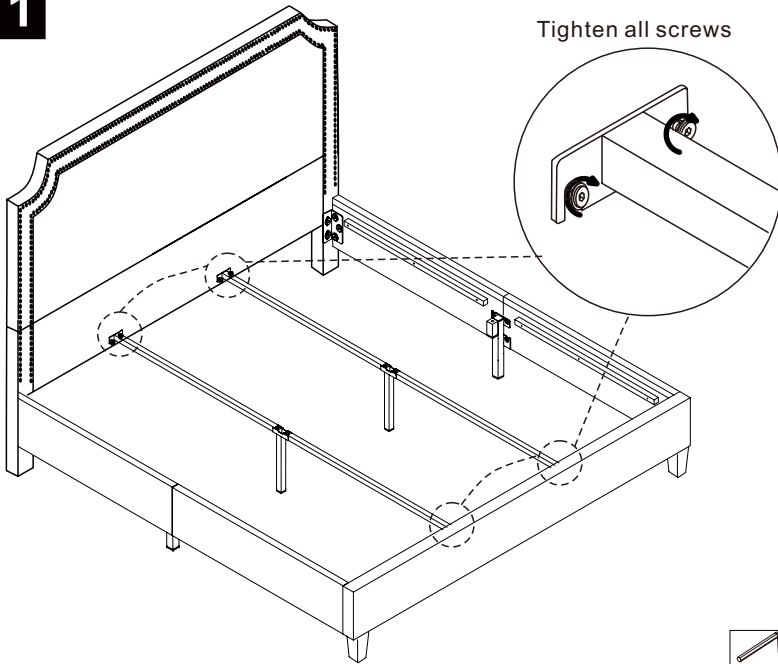
	Nx12pcs
	P x 1pc


step10



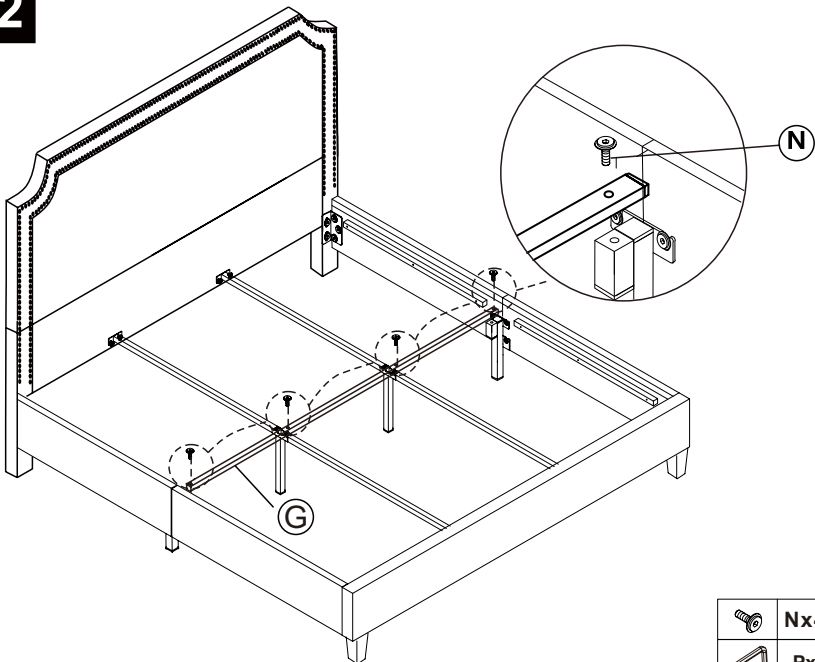
	Nx4pcs
	Px1pc



step11



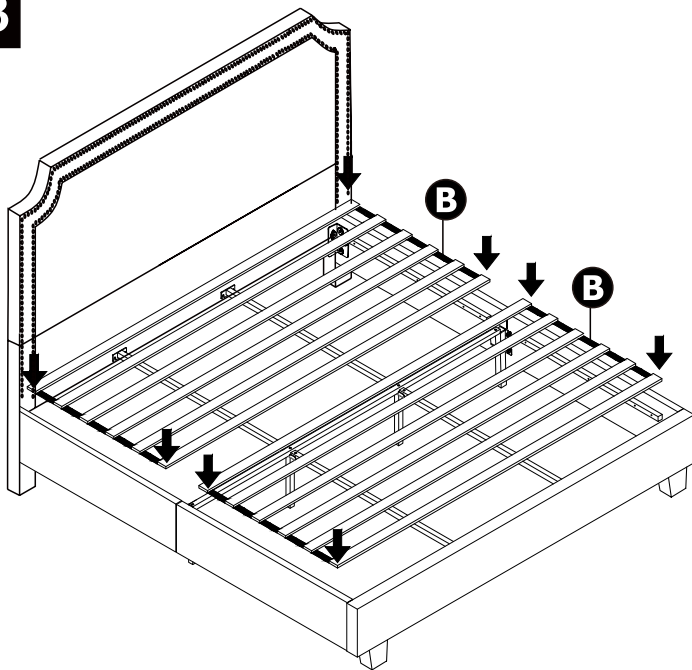
 Px1pc

step12



 Nx4pcs
 Px1pc

step13



step14

