

## Velvet Upholstered Bed with Gold Trim



### Friendly Customer Service

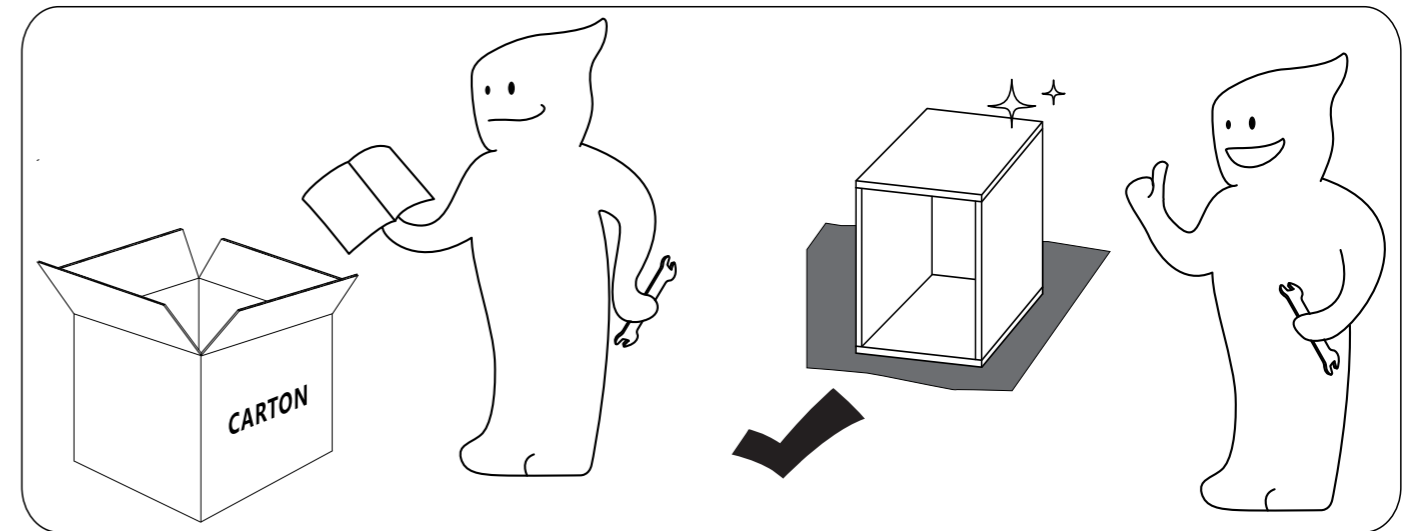
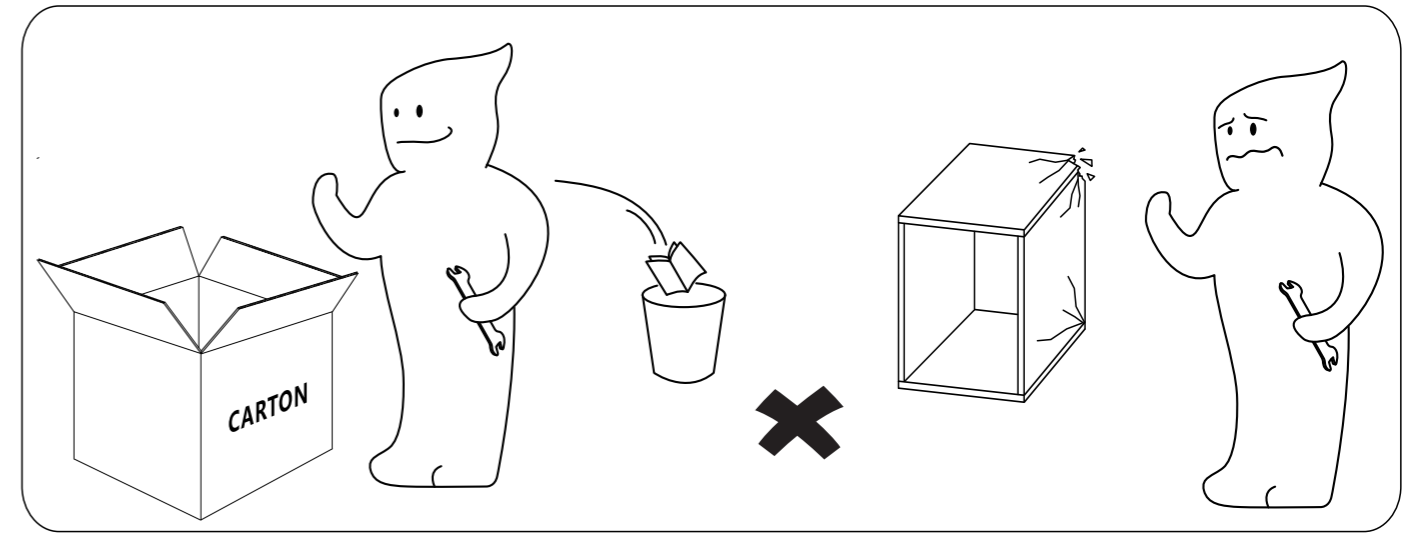
Satisfaction Guarantees: Any problems with assembly, quality, or return, please feel free to contact us directly.

### Contact us

Phone: +1 (901) 347-2181 (US) Mon-Fri 9am - 5pm (PST)  
 E-Mail: [cs@howedirect.com](mailto:cs@howedirect.com) (Get efficient feedback within 12 hours)



Please follow the instruction manuals and use a pad to protect the product during your assembly.



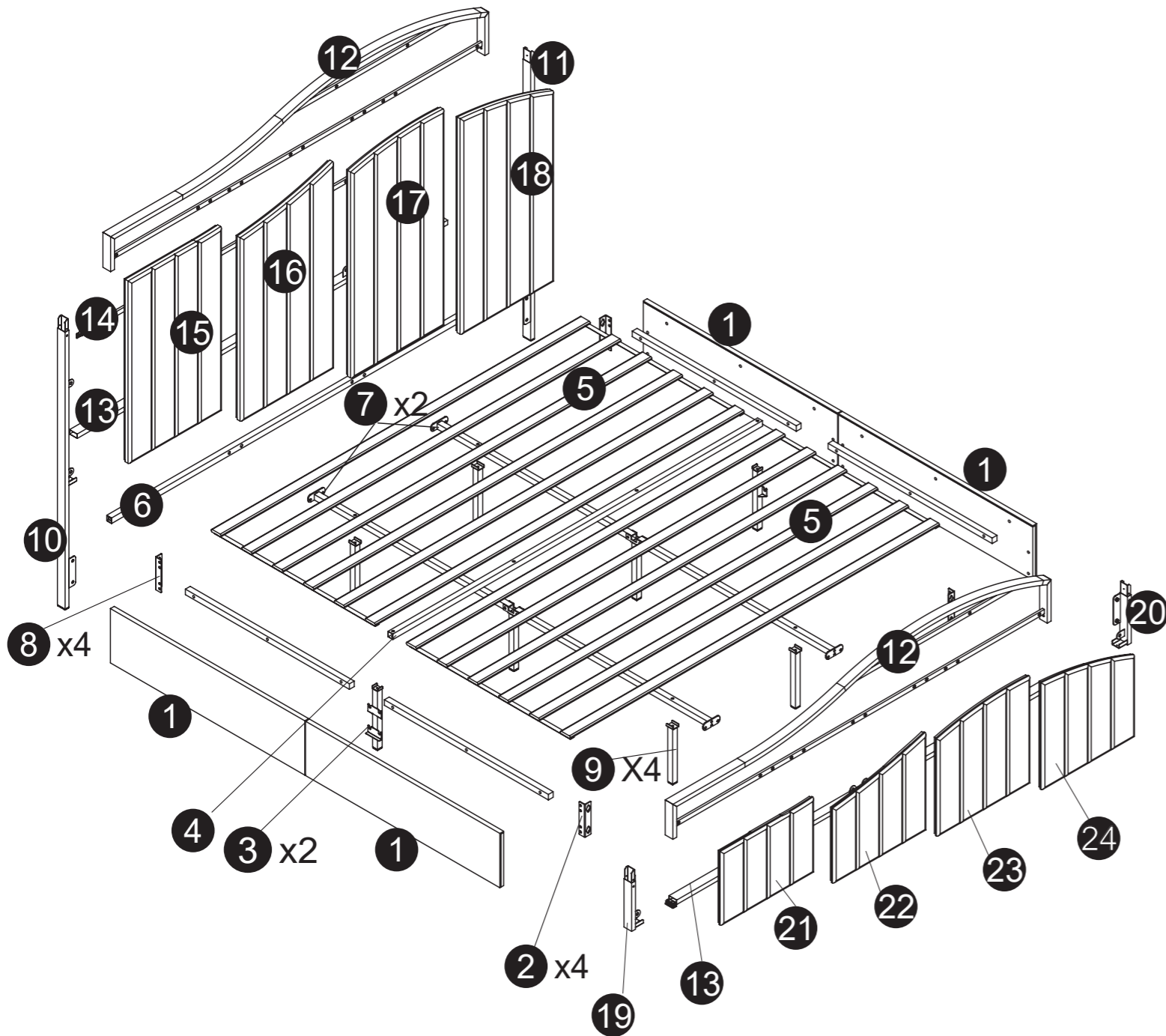
**Note:**

1. Should be assembled on flat ground to keep balance.
2. Before completing the installation, do not tighten the screws.



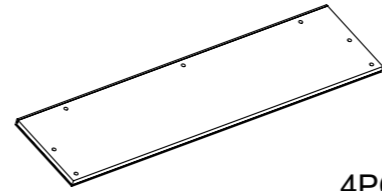
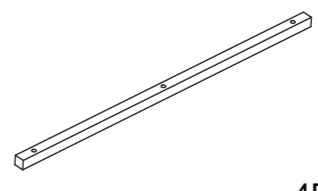
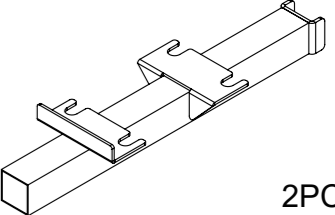
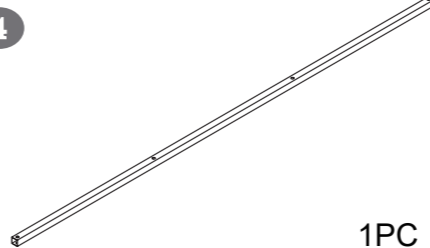
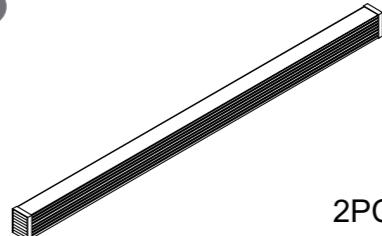
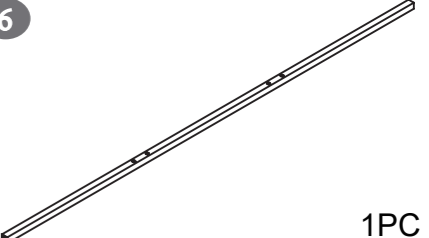
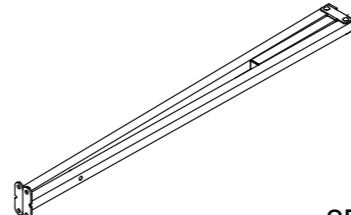
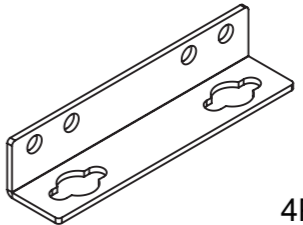
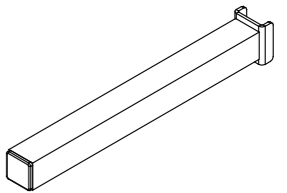
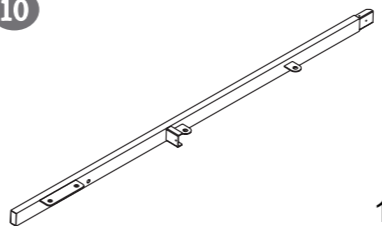
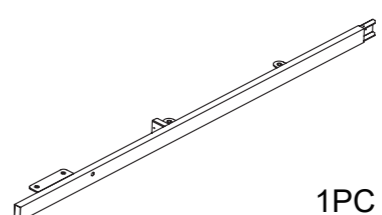
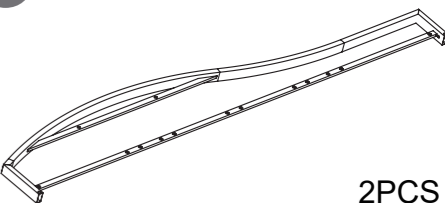
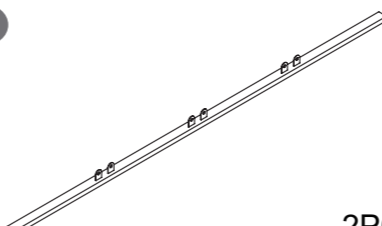
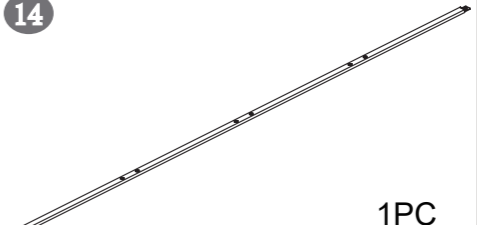
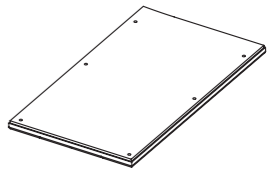
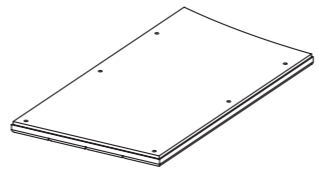
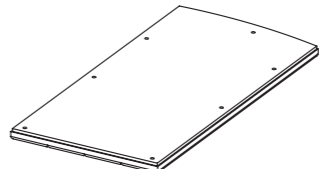
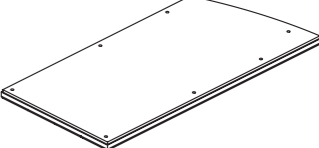
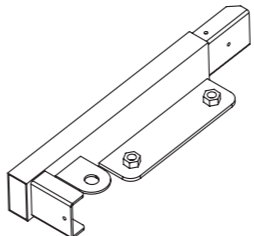
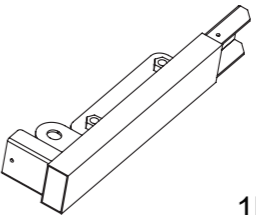
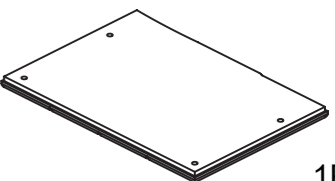
For easier and better assembly, **2** or more adults are required.

# ASSEMBLY INSTRUCTIONS



# ASSEMBLY INSTRUCTIONS

## PARTS LIST

1  4PCS	2  4PCS	3  2PCS
4  1PC	5  2PCS	6  1PC
7  2PC	8  4PCS	9  4PCS
10  1PC	11  1PC	12  2PCS
13  2PCS	14  1PC	15  1PC
16  1PC	17  1PC	18  1PC
19  1PC	20  1PC	21  1PC

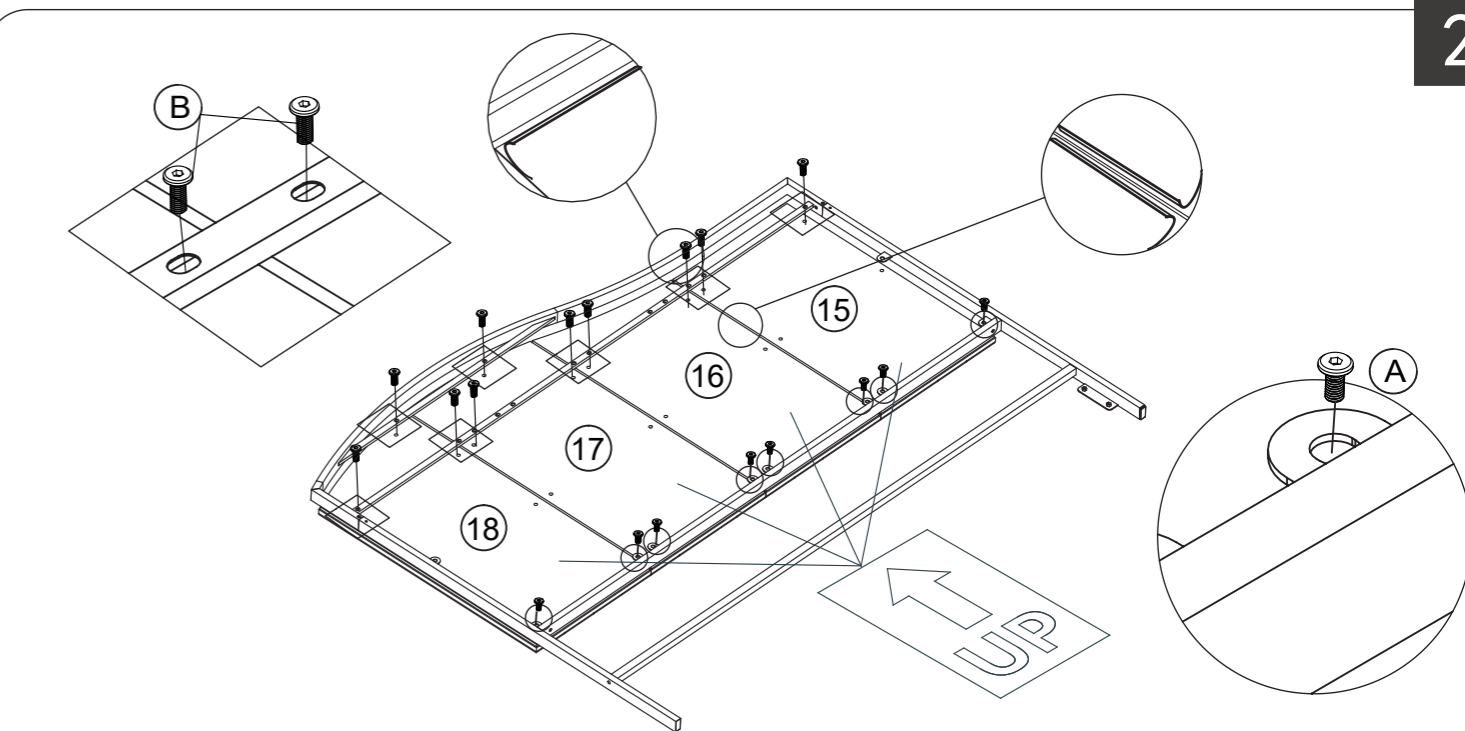
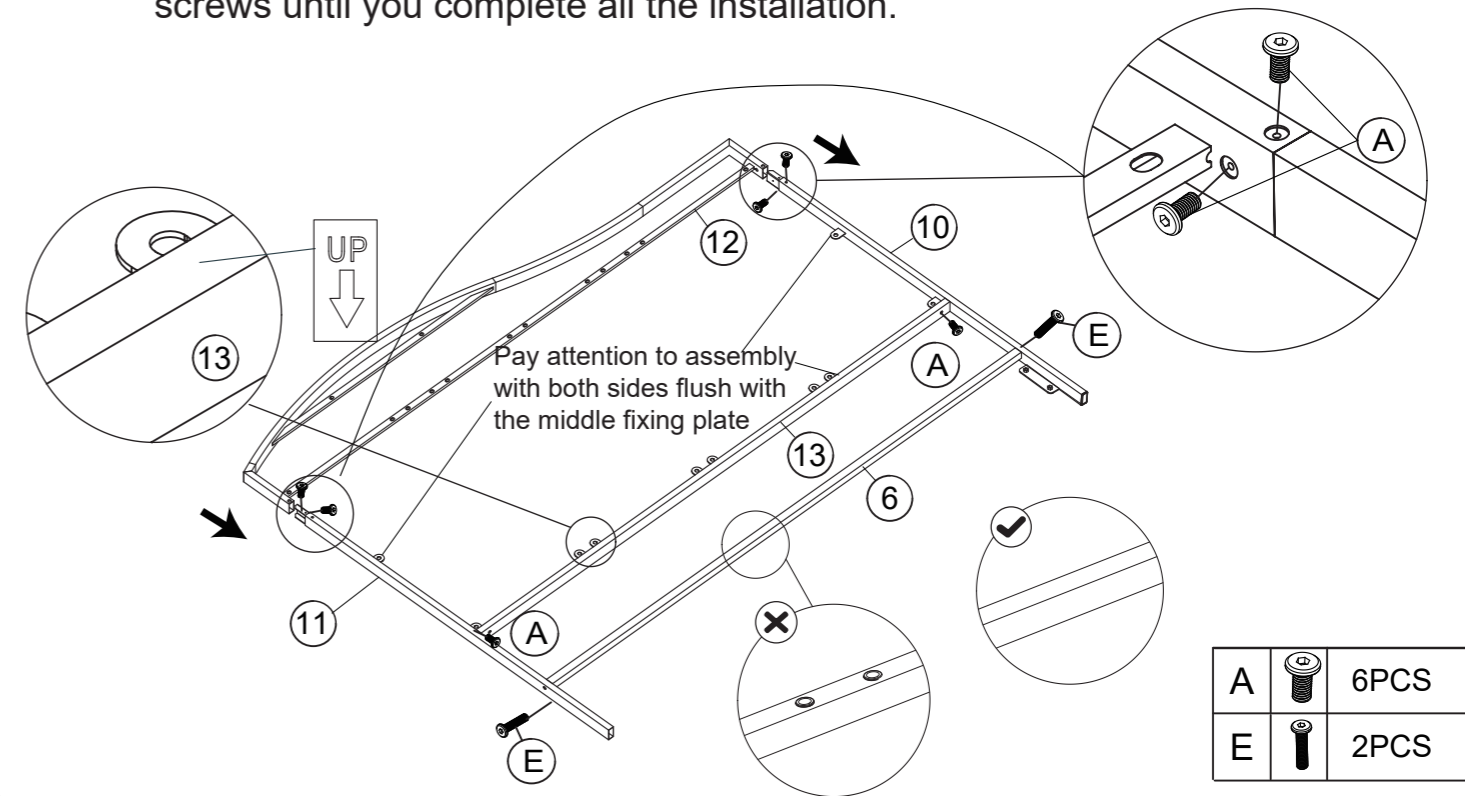
# ASSEMBLY INSTRUCTIONS

<p>22</p> <p>1PC</p>	<p>23</p> <p>1PC</p>	<p>24</p> <p>1PC</p>
<p>25</p> <p>4PCS</p>	<p>A</p> <p>M8*14 28PCS</p>	<p>B</p> <p>Black Zinc M8*20 46PCS</p>
<p>C</p> <p>stainless steel M8*18 10PCS</p>	<p>D</p> <p>M8*25 4PCS</p>	<p>E</p> <p>M8*38 20PCS</p>
<p>F</p> <p>Black Zinc M8*50 2PCS</p>	<p>G</p> <p>1PC</p>	

# ASSEMBLY INSTRUCTIONS

- Note:1、 Assemble component 10.11.12.13 first, then lock the screws but do not lock them, and then assemble component 6.  
 2、 Screw all the parts sequentially, do not fully tighten all the screws until you complete all the installation.

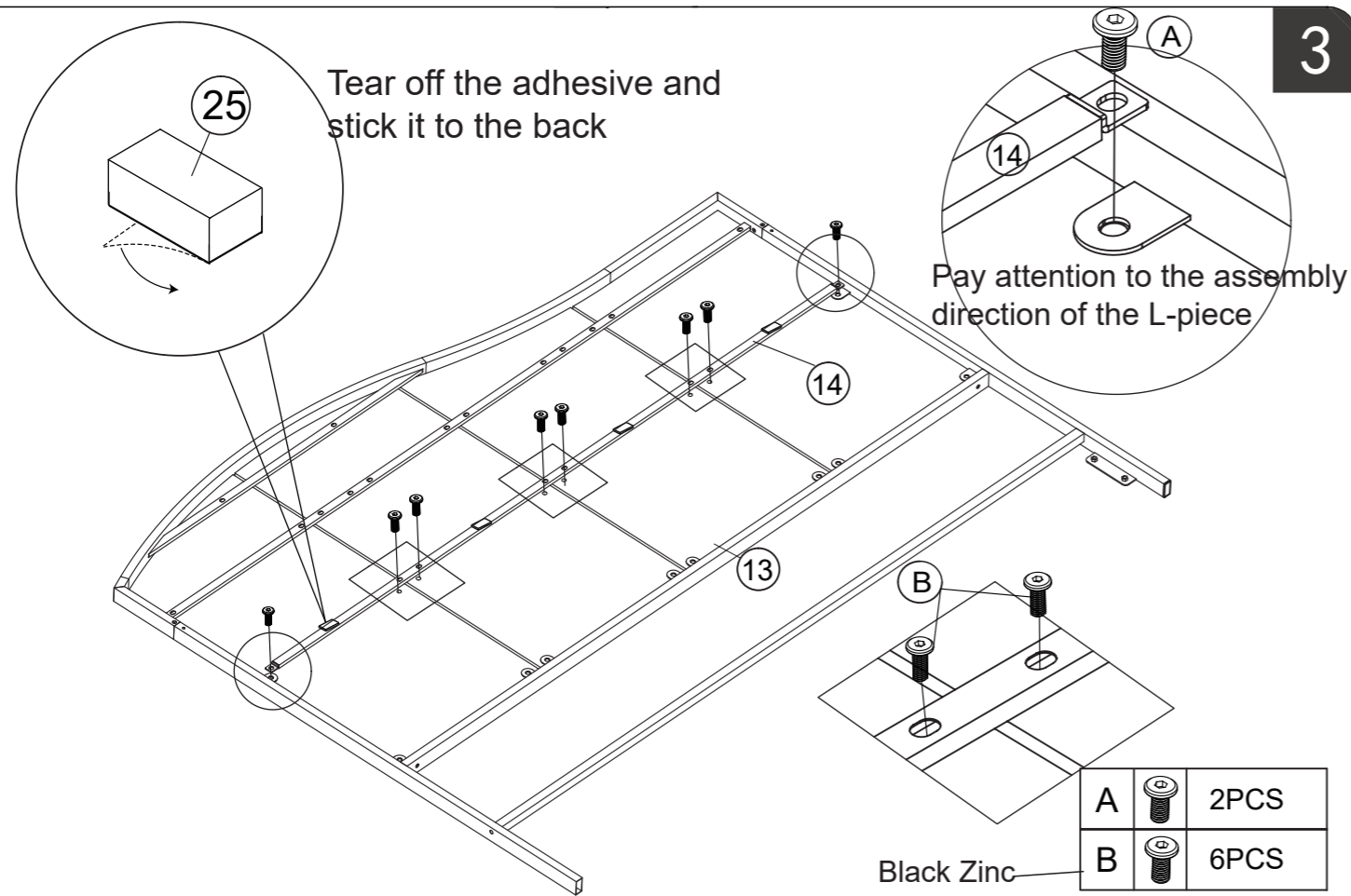
1



- Note:1、 Arrange part 15、 16、 17、 18 in the stainless steel frame without the screws;  
 2、 Keep the non-woven frills on the back of the headboard tidy, don't clipped in the crevices of each part  
 3、 Screw all the parts sequentially, do not fully tighten all the screws until you complete all the installation.

Black Zinc

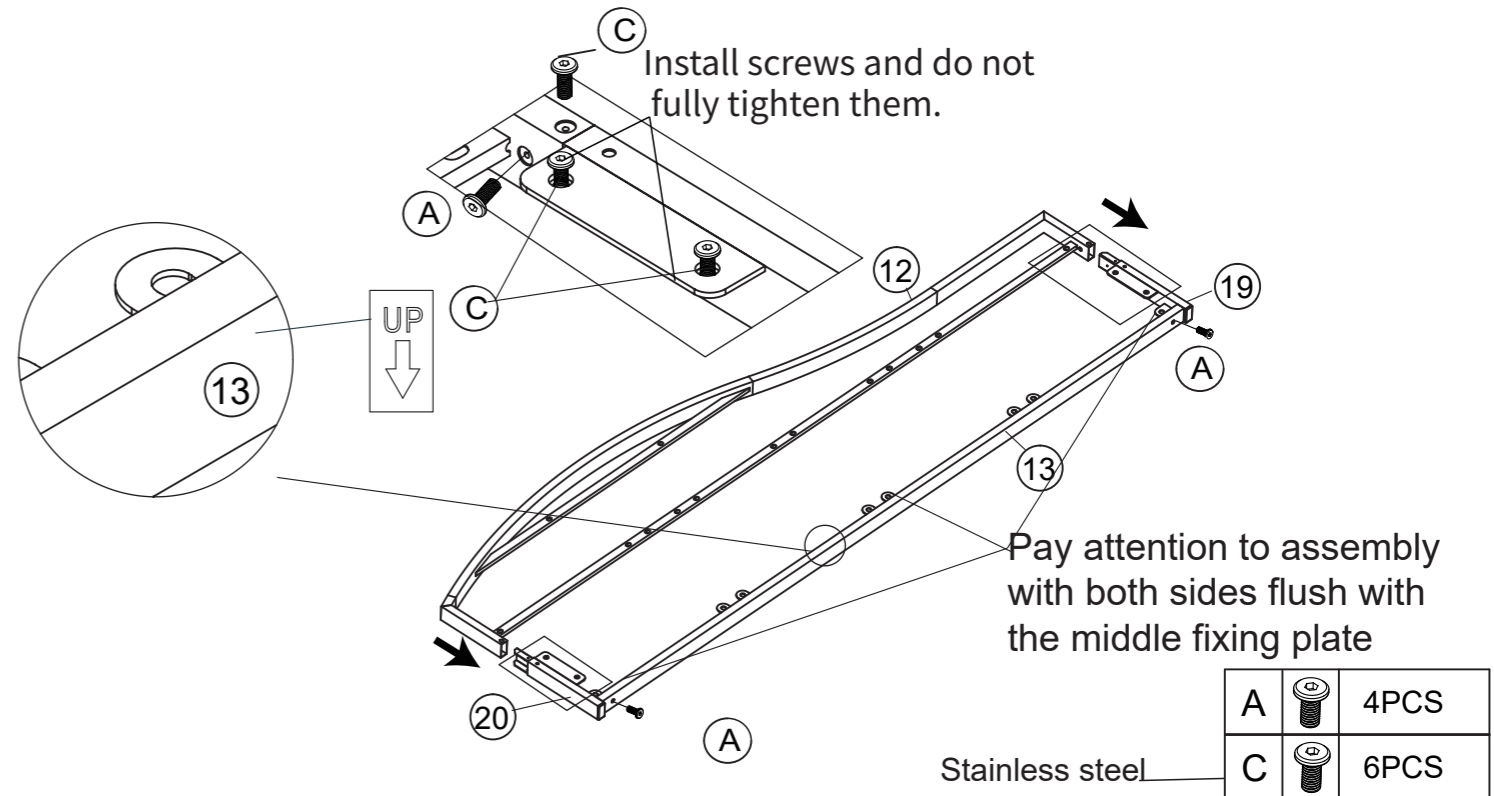
# ASSEMBLY INSTRUCTIONS



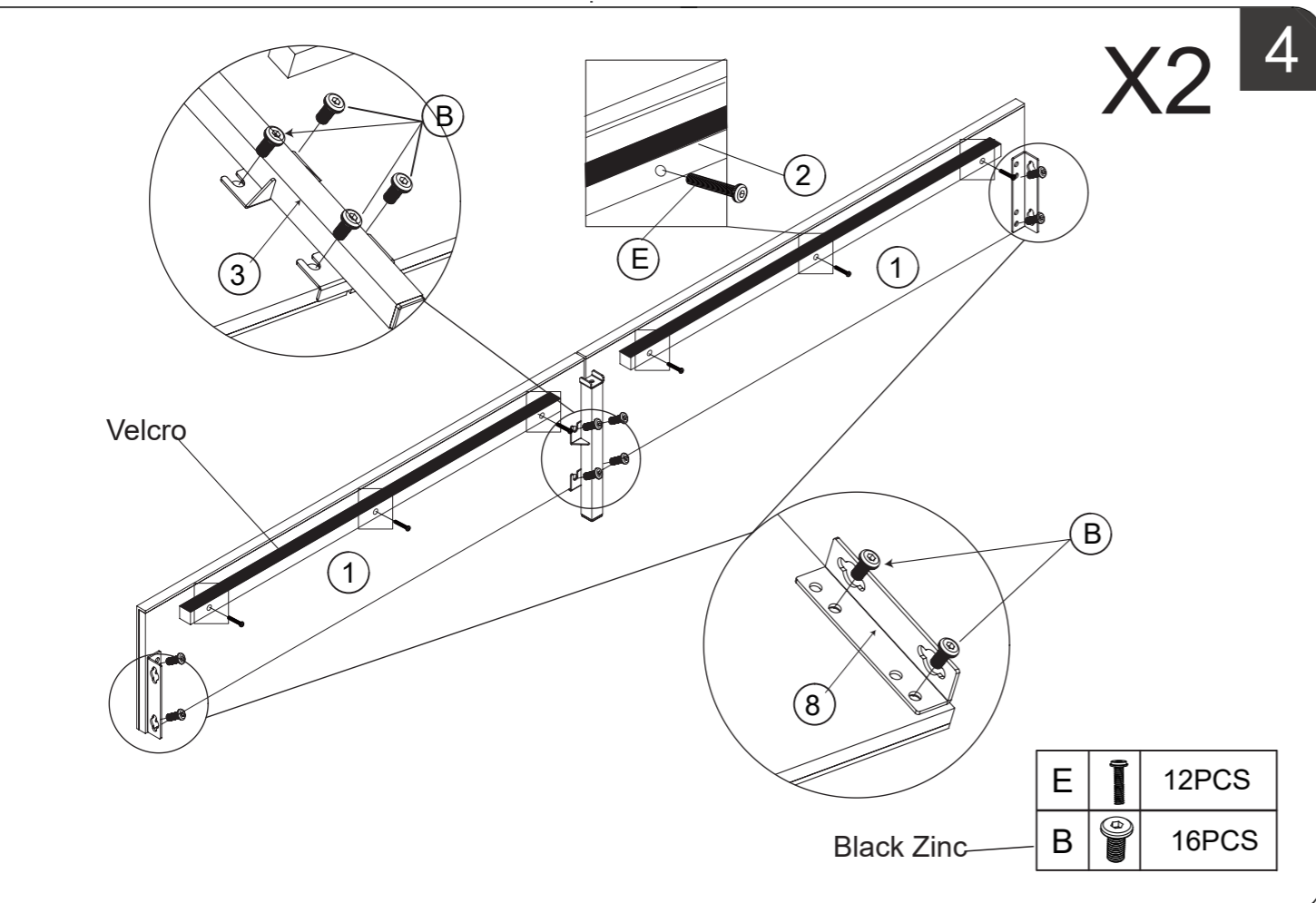
3

# ASSEMBLY INSTRUCTIONS

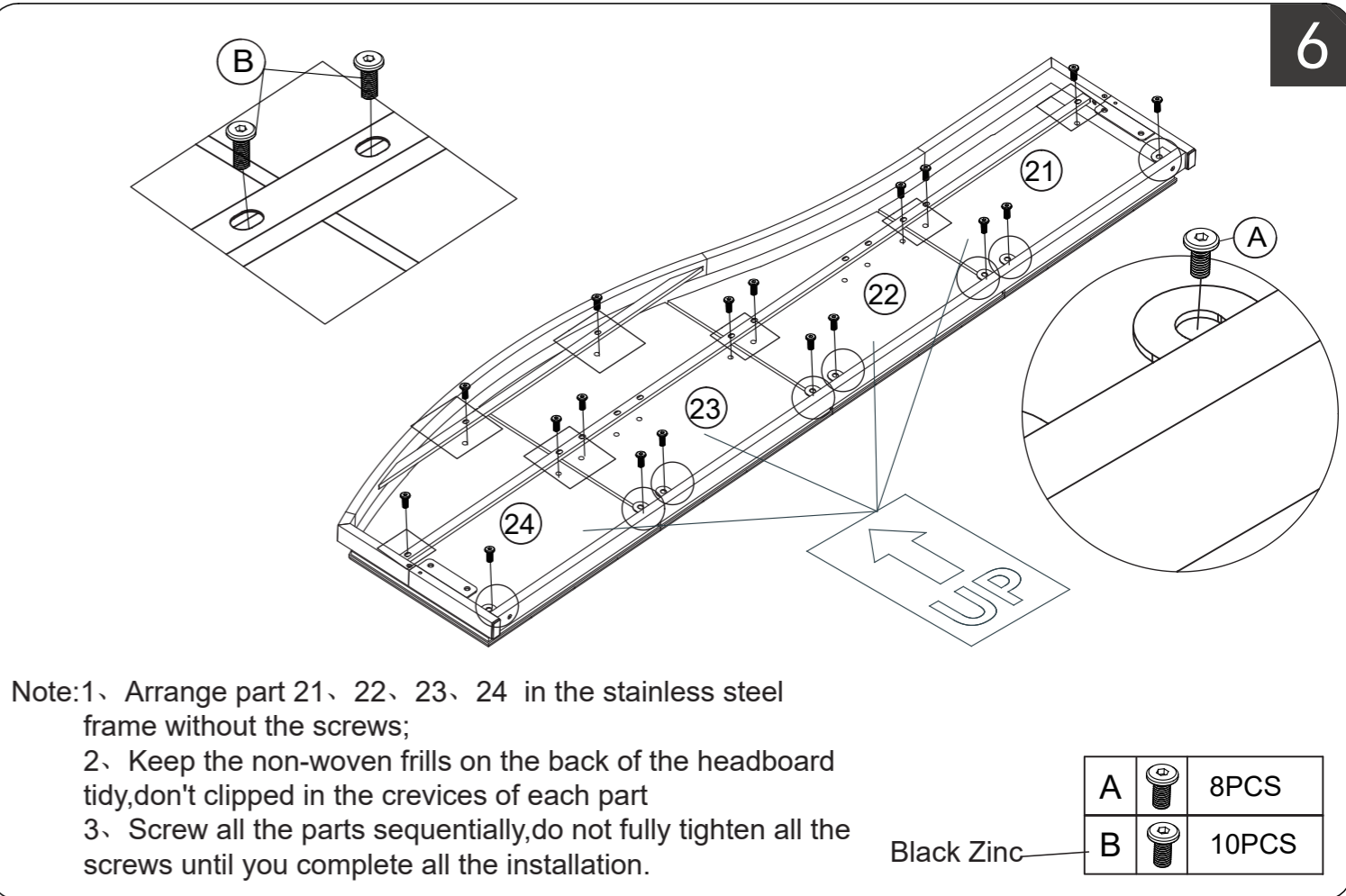
Note:1: First assemble components 19,20,13, and finally assemble component 12  
 2. Screw all the parts sequentially,do not fully tighten all the screws until you complete all the installation.



5



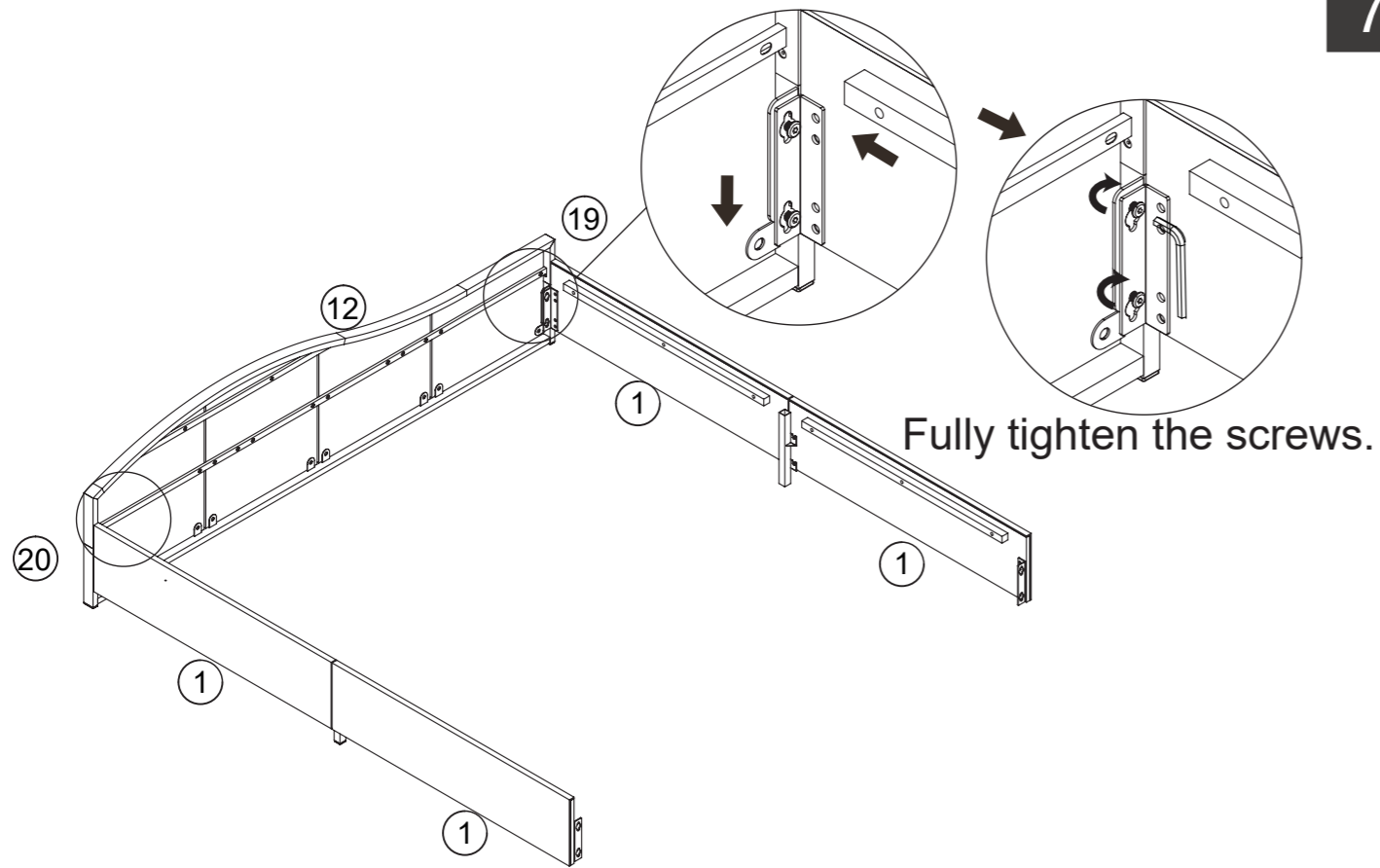
4



6

# ASSEMBLY INSTRUCTIONS

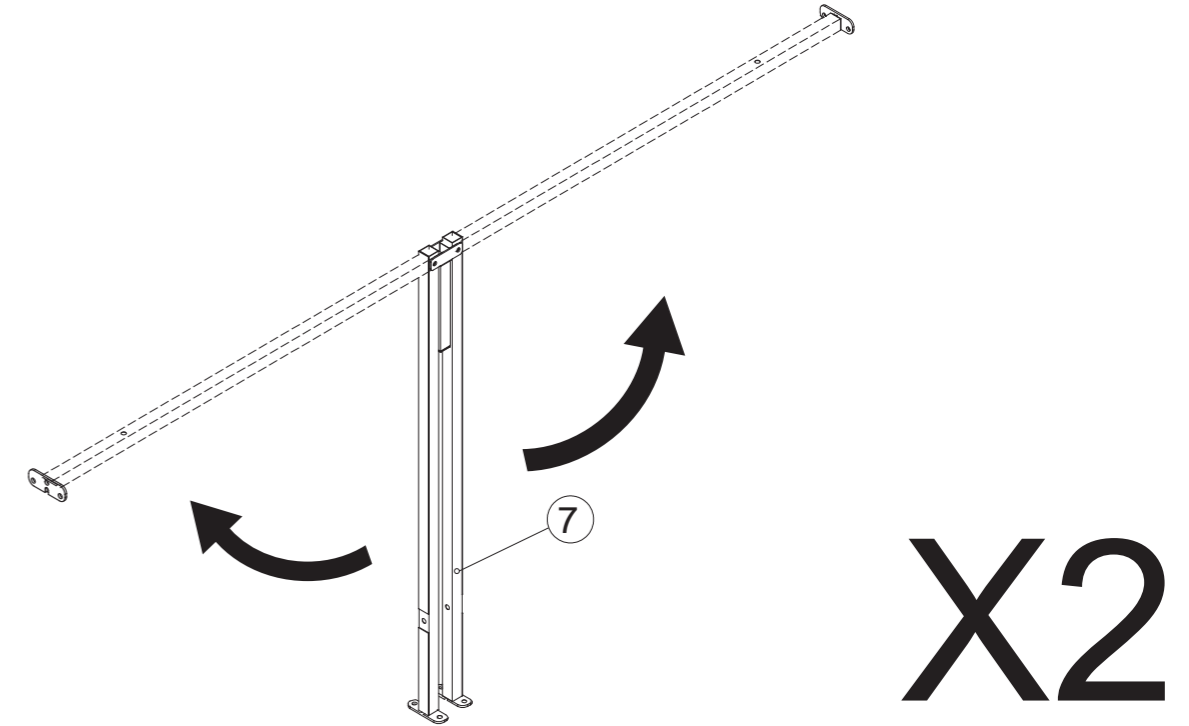
7



# ASSEMBLY INSTRUCTIONS

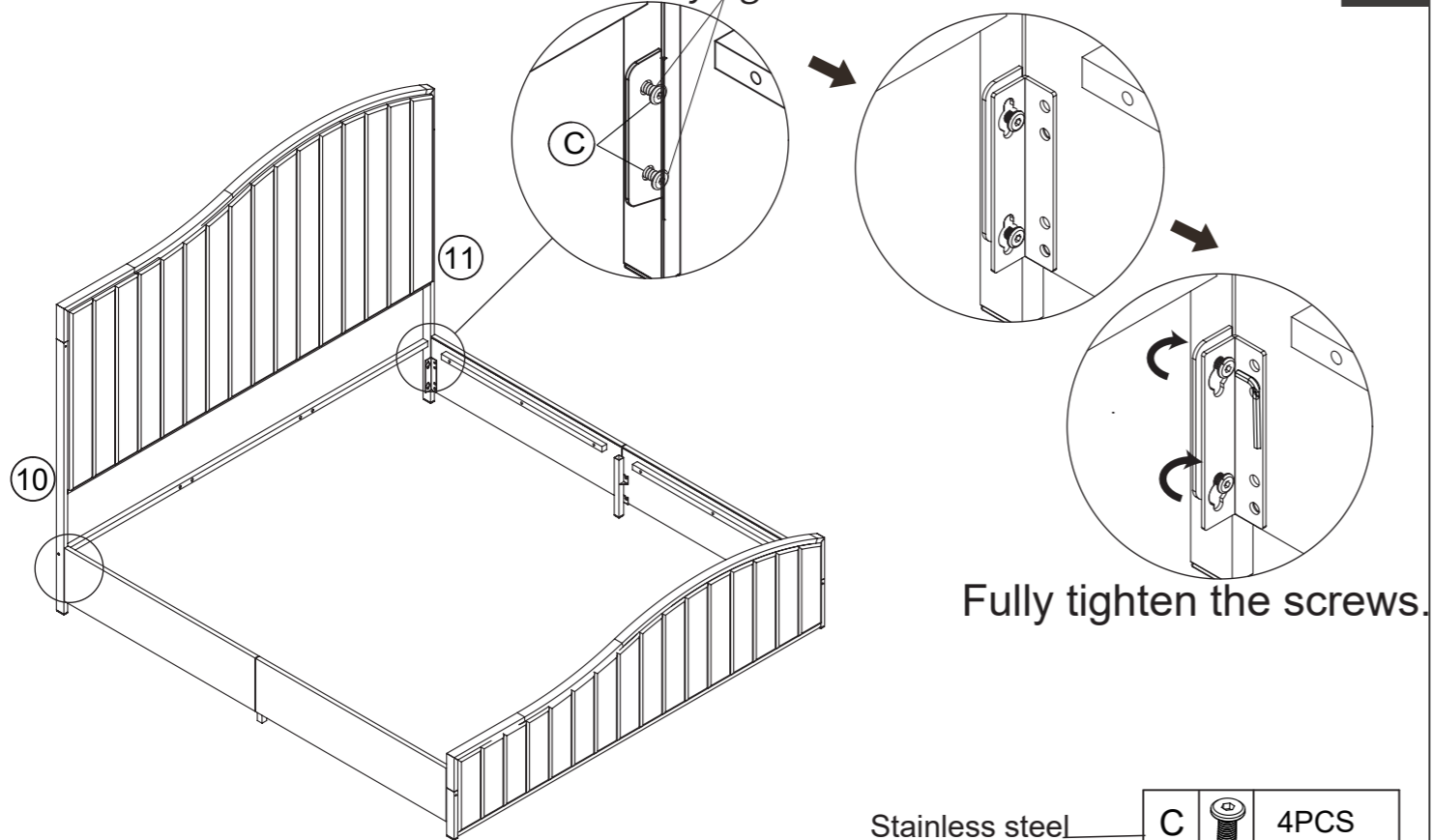
9

**WARNING!**  
Moving parts can crush or cut.  
Keep fingers, hands, and feet away to avoid injury.



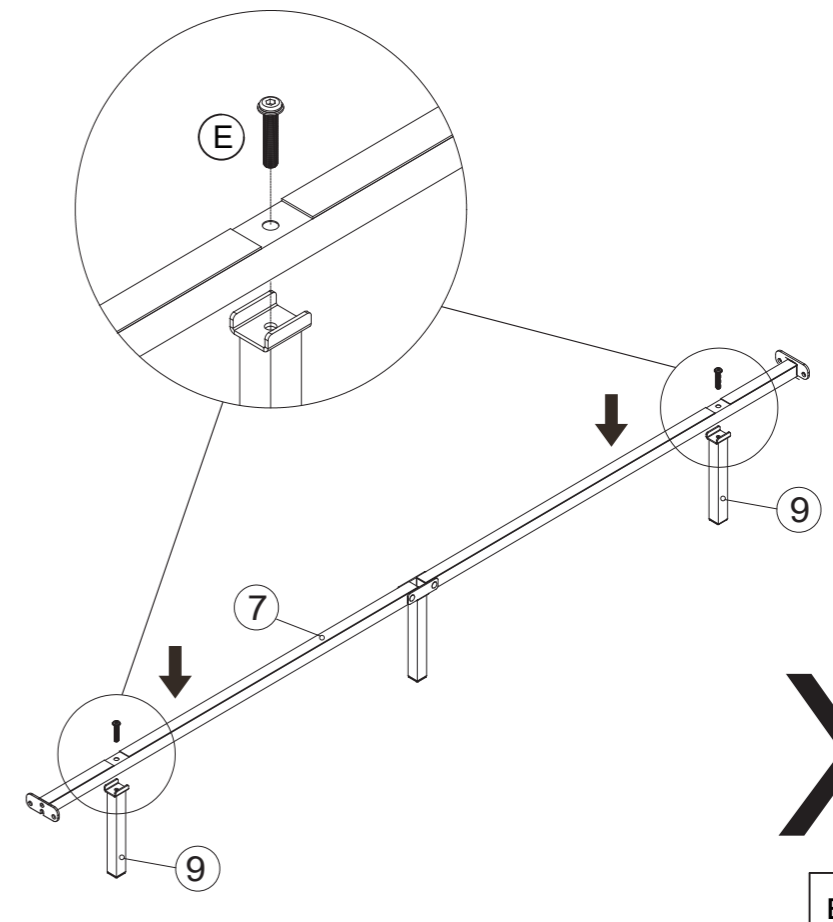
8

Install screws and do not fully tighten them.



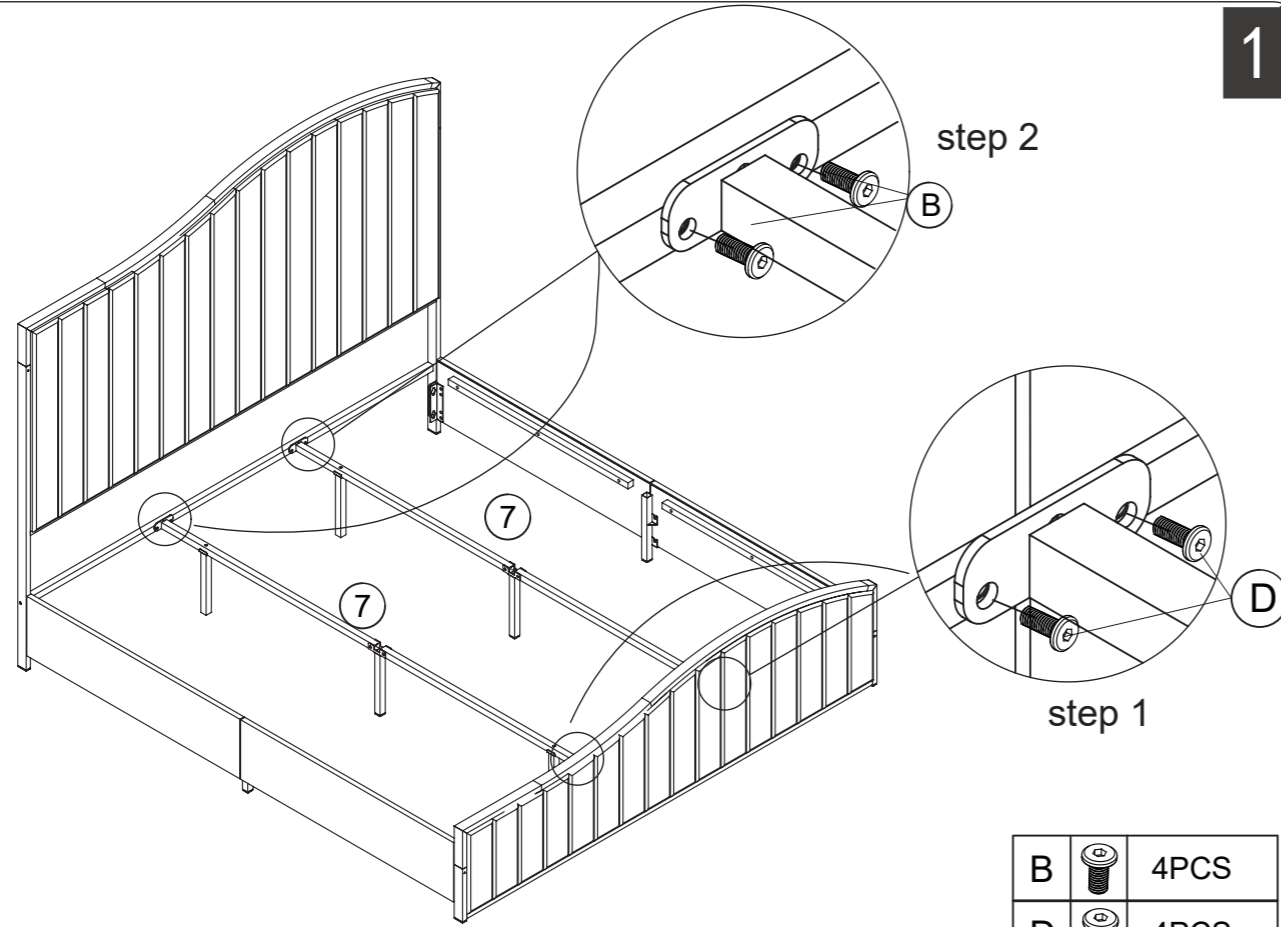
Stainless steel C 4PCS



10



E 4PCS

11

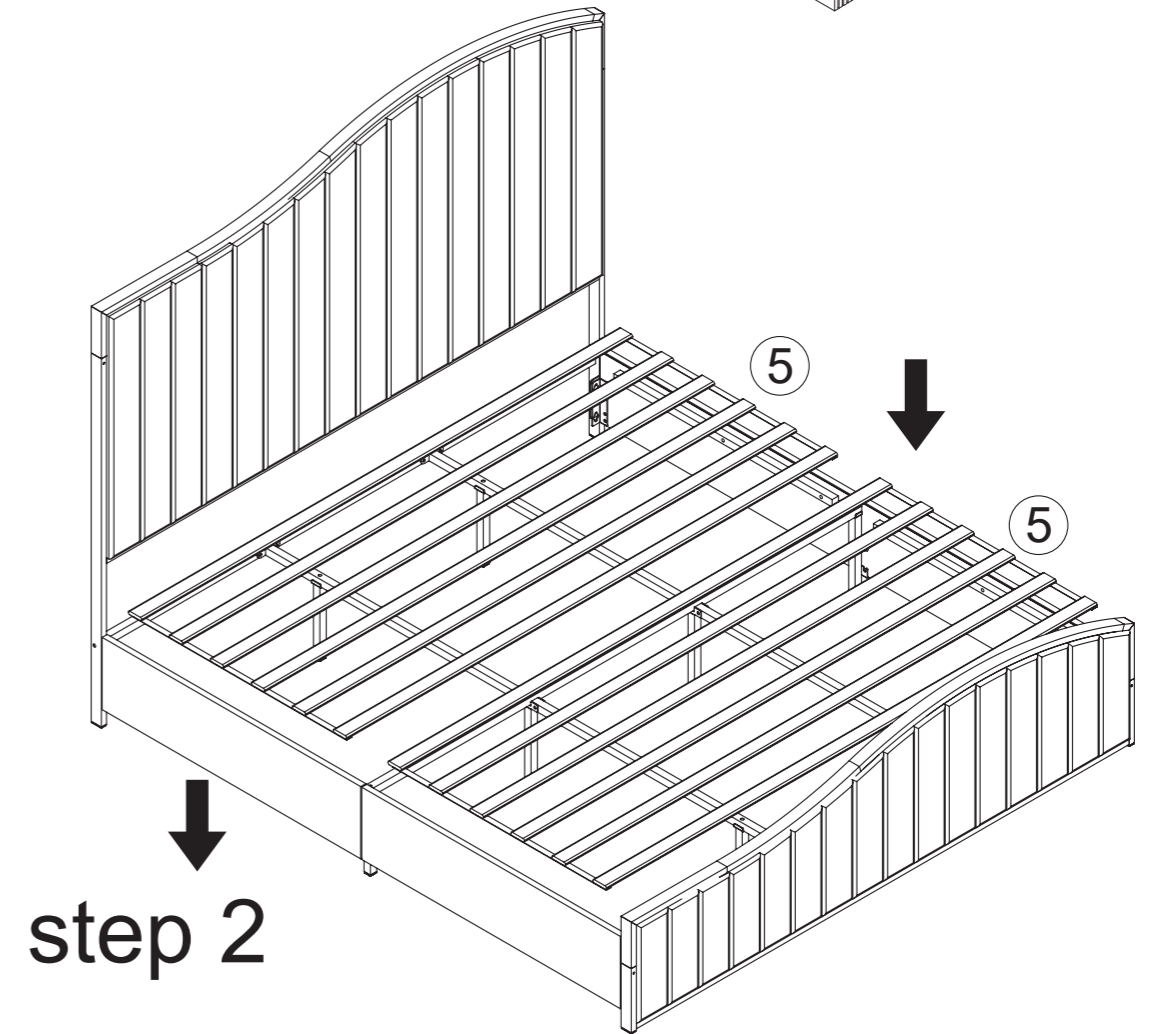
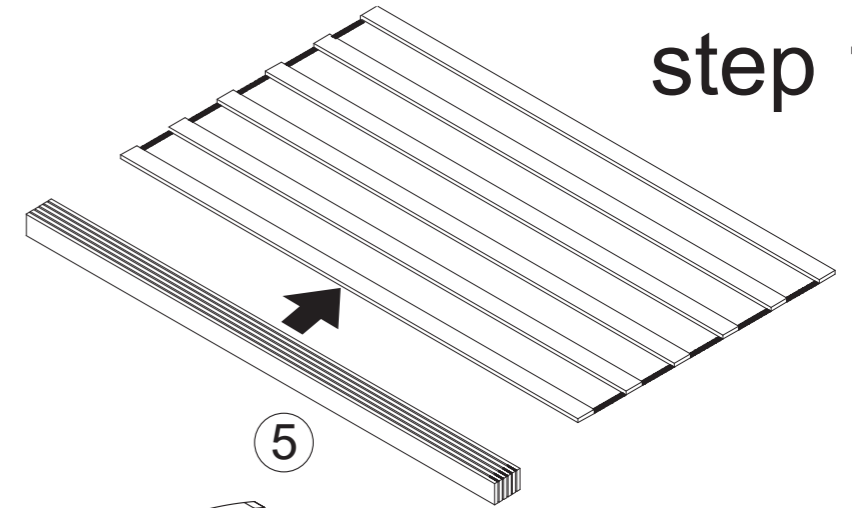


B		4PCS
D		4PCS

13

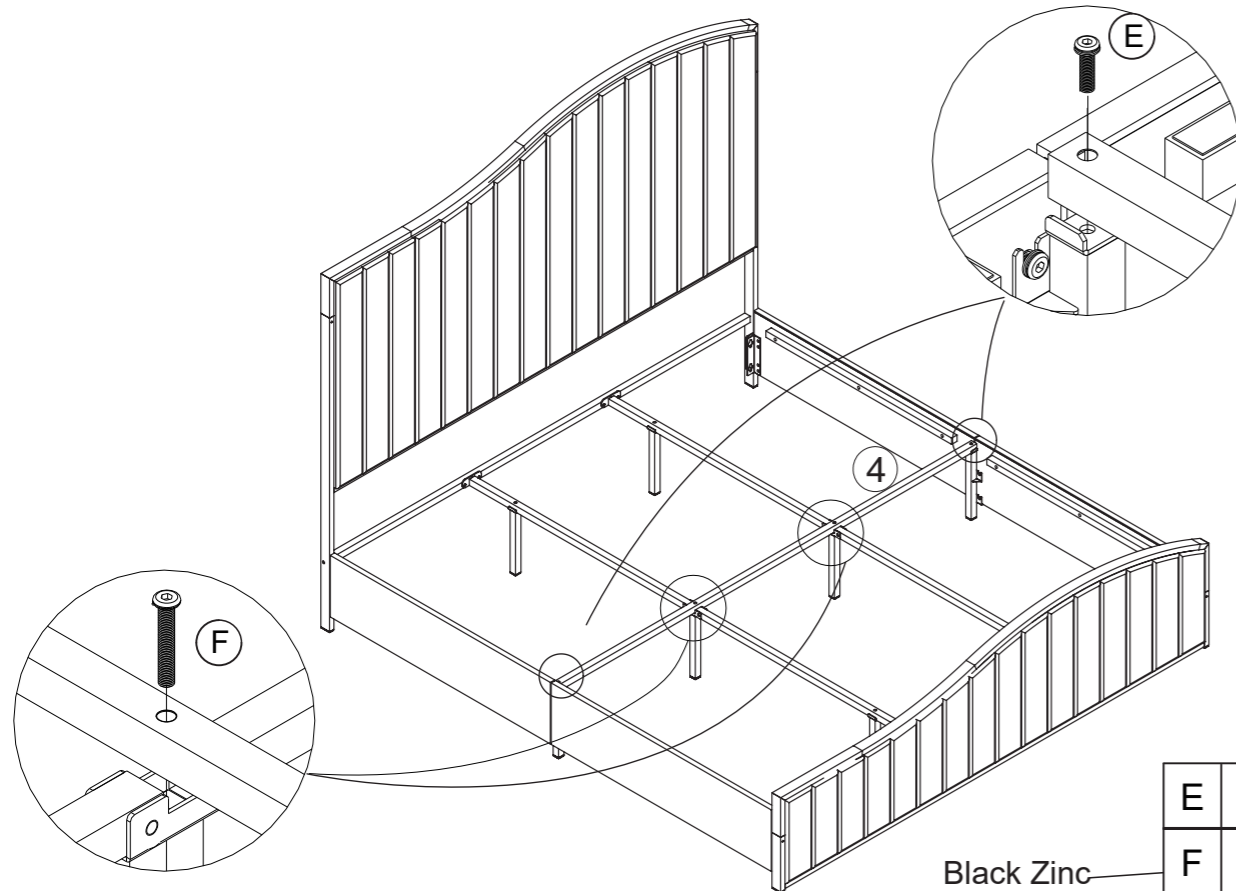


step 1





Installation Complete

12



Black Zinc

E		2PCS
F		2PCS