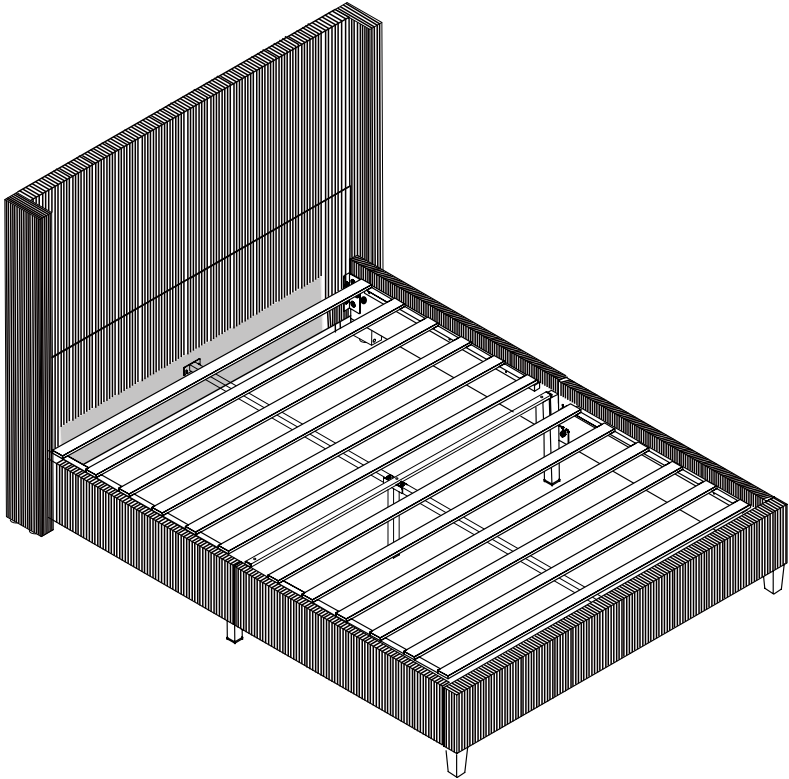


Assembly Instruction



Friendly Customer Service

Satisfaction Guarantees: Any problems with assembly, quality, or return, please feel free to contact us directly.

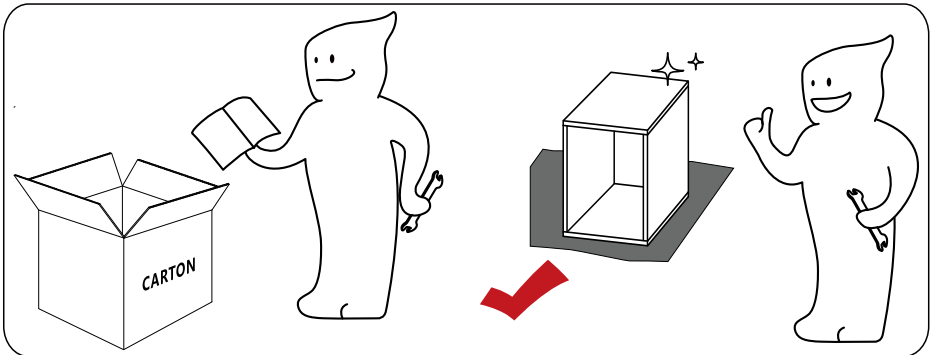
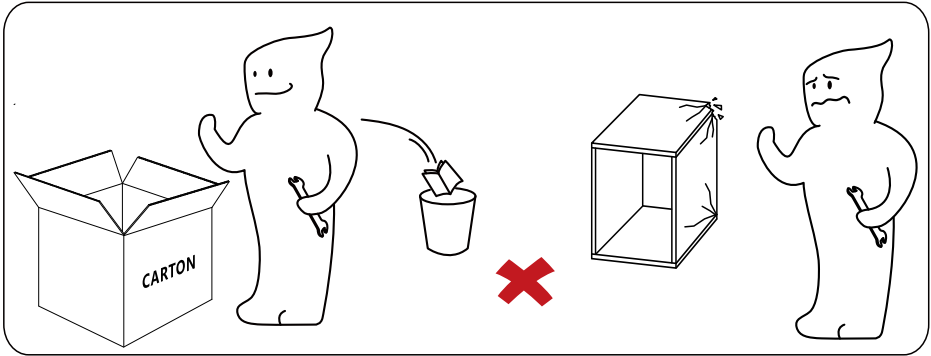
Contact us

Phone: +1(901)347-2181(US) Mon-Fri 9am - 5 pm(PST)

E-Mail: cs@howedirect.com (Get efficient feedback within 12 hours)

! IMPORTANT

Please follow the instruction manuals and use a pad to protect the product during your assembly.

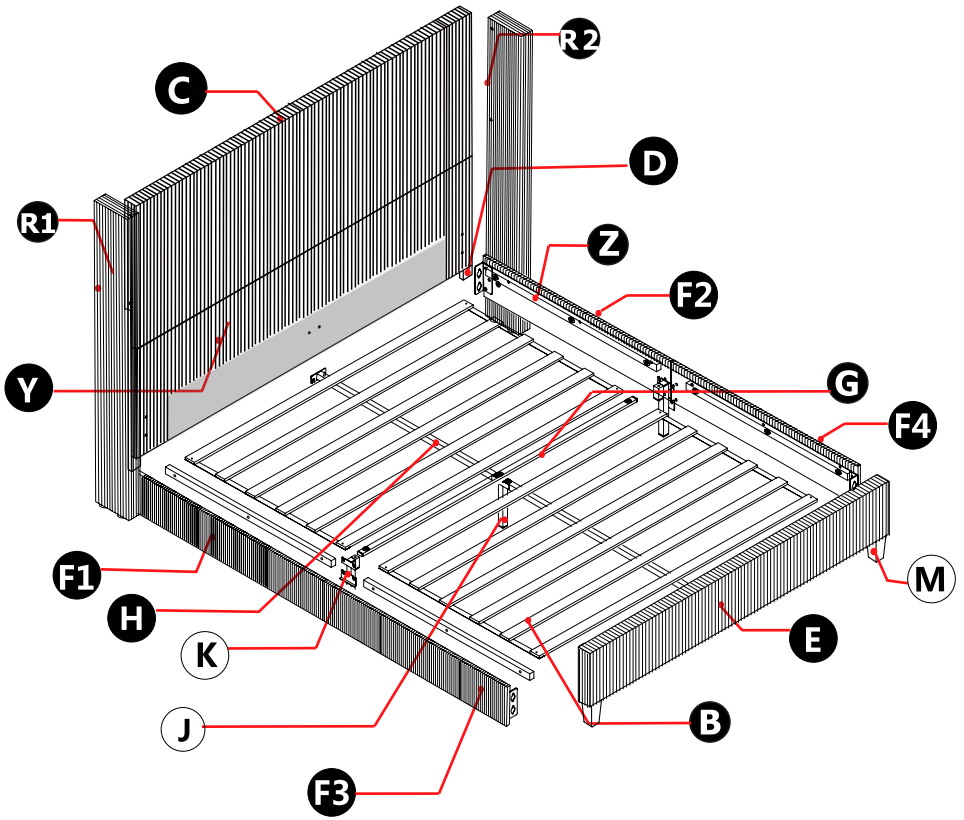


Note:

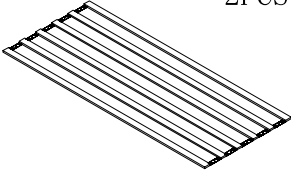
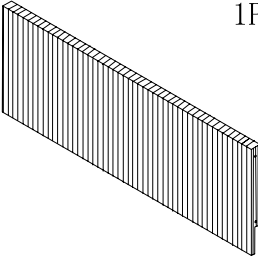

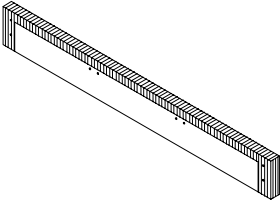
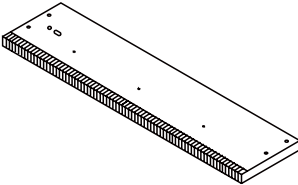
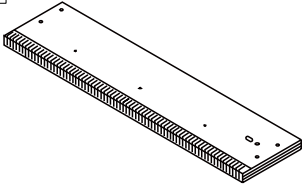
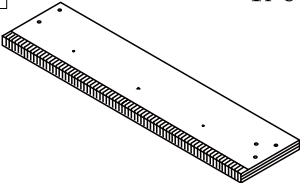
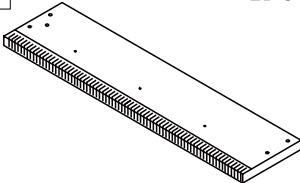
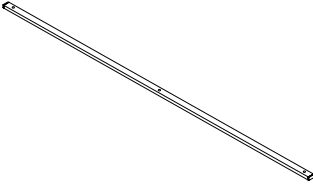
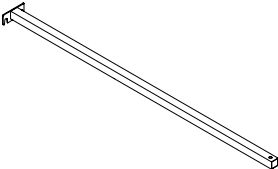
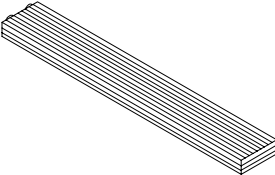
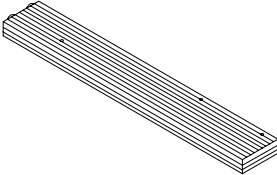
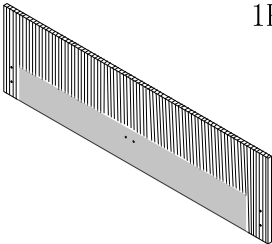
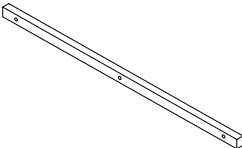
1. Should be assembled on flat ground to keep balance.
2. Before completing the installation, do not tighten the screws.



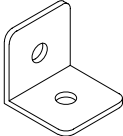
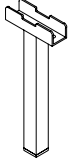
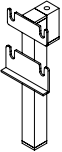
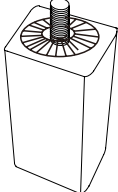
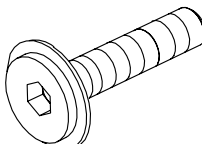
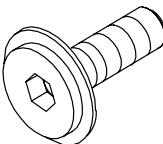
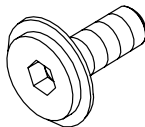
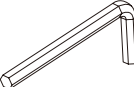
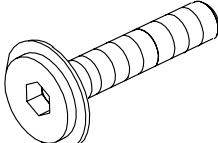
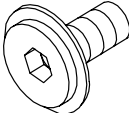
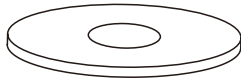
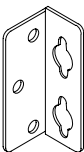
For easier and better assembly, **2** or more adults are required.



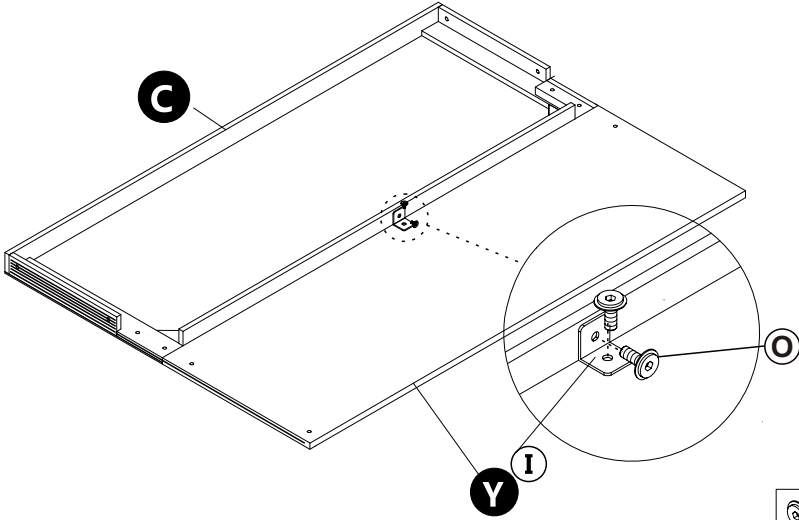
BED FRAME PARTS LIST




B  2PCS	C  1PC	D  2PCS
E  1PC	F1  1PC	F2  1PC
F3  1PC	F4  1PC	G  1PC
H  2PCS	R1  1PC	R2  1PC
Y  1PC	Z  4PCS	

FITTING PART LIST

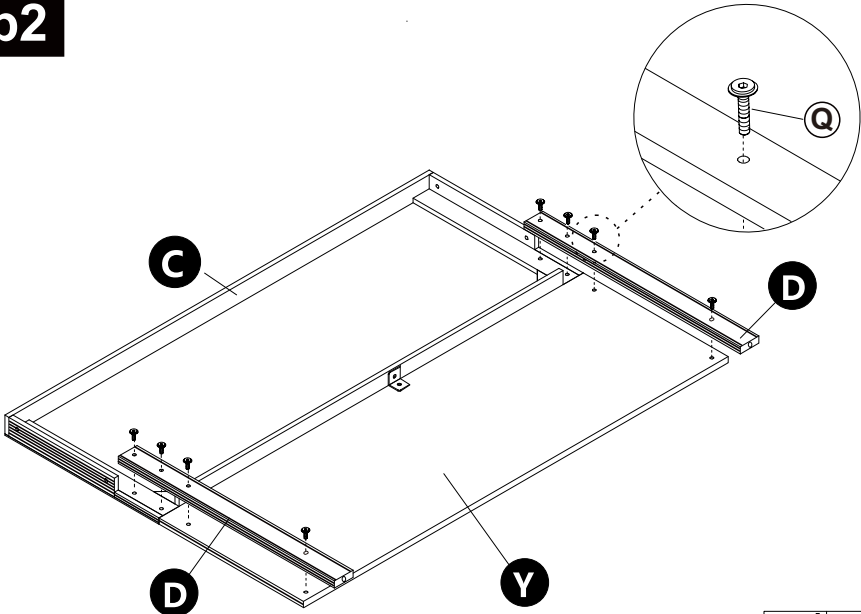
I 1PC 	J 1PC 	K 2PCS 
M 2PCS 	L 6PCS  M8*45	N 17PCS  M8*35
O 8PCS  M8*25	P 1PC  M6	Q 8PCS  M8*55
S 26PCS  M8*18	T 2PCS  M8*22	X 4PCS 



step1



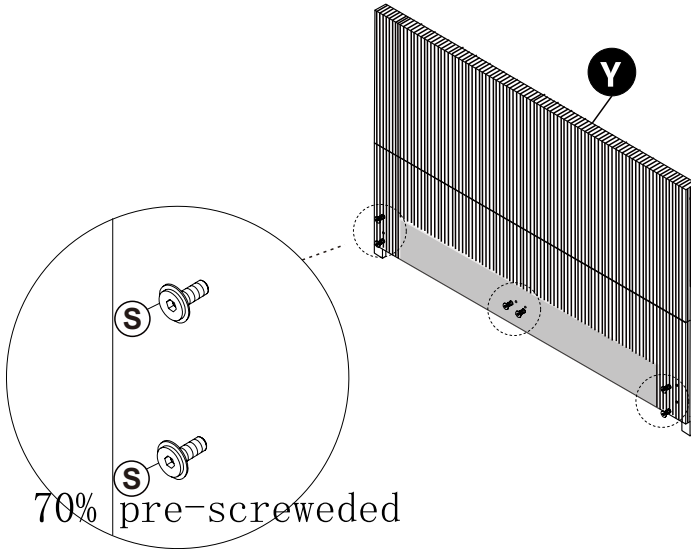
	O x 2pcs
	I x 1pc
	P x 1pc



step2



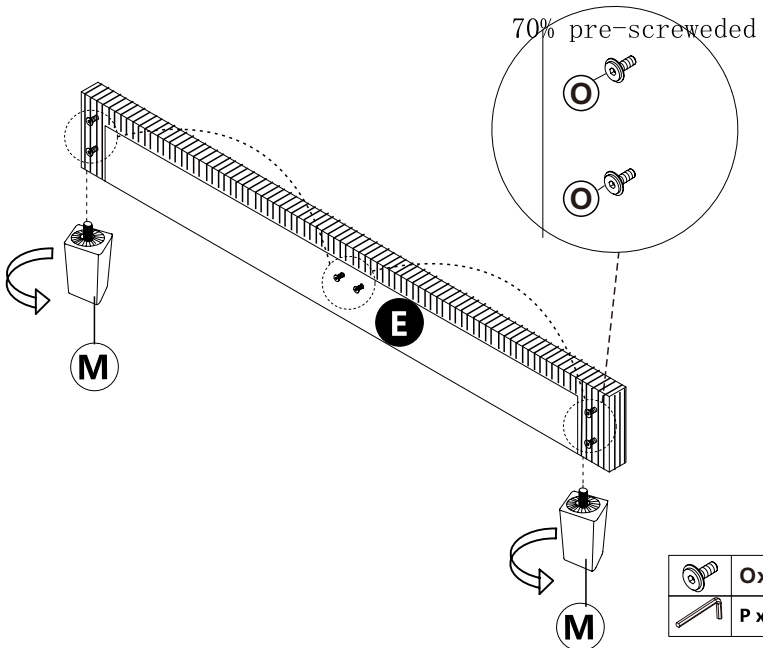
	Qx8pcs
	P x 1pc

step3



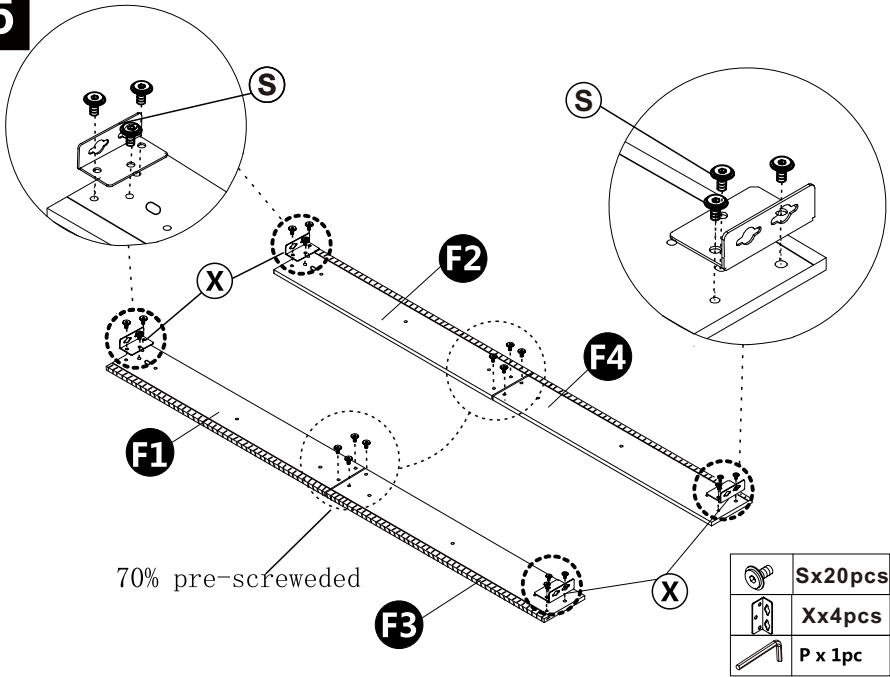
	Sx6pcs
	P x 1pc

step4

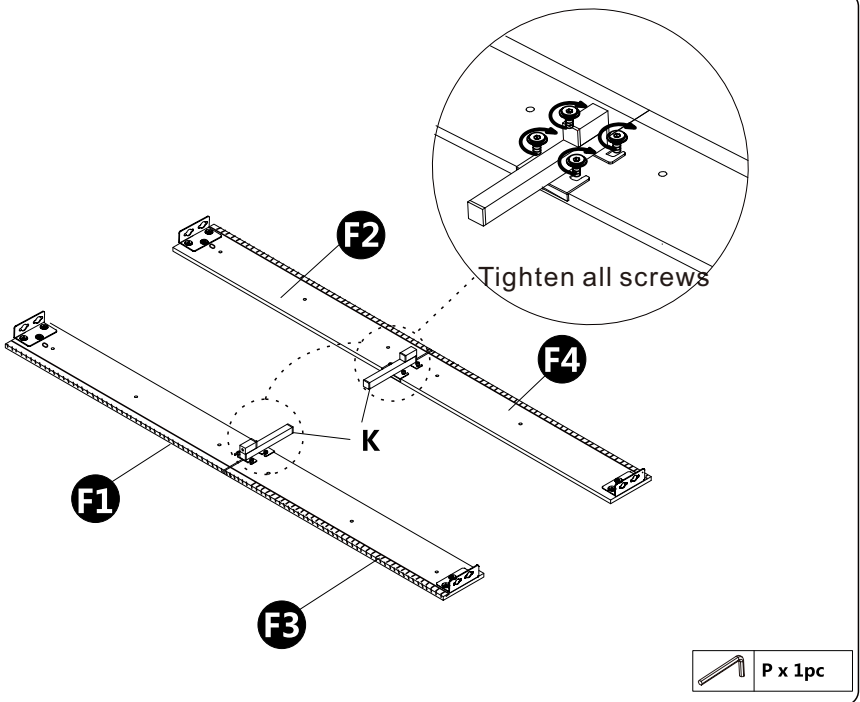


	Ox6pcs
	P x 1pc

step5

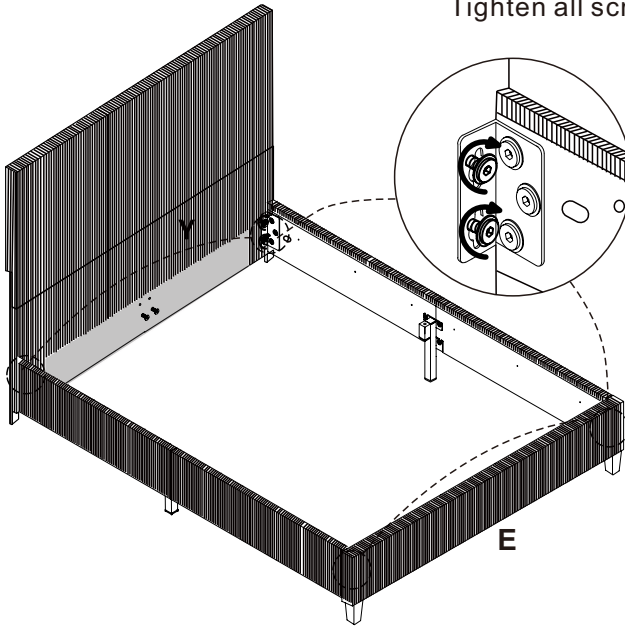


step6



step 7

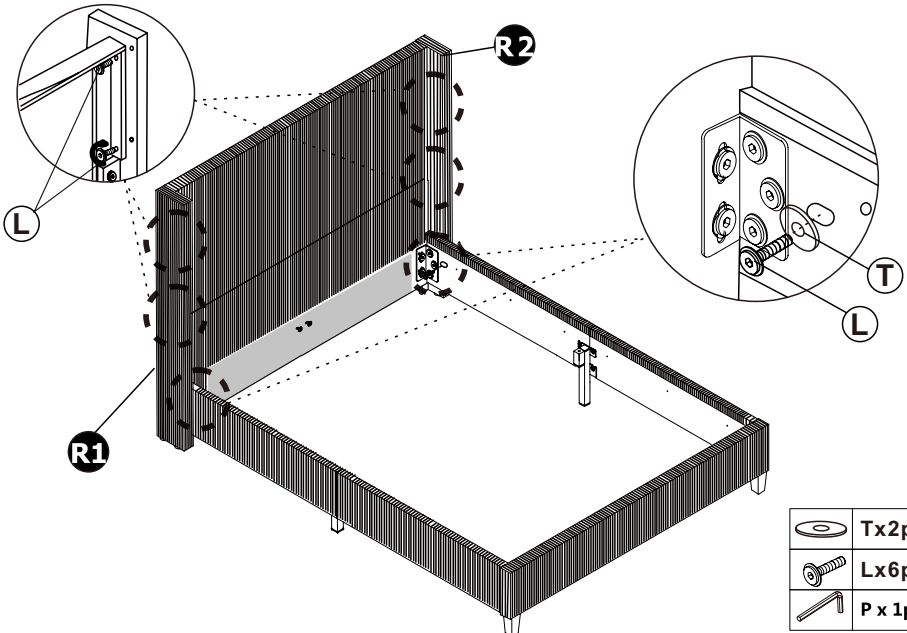
Tighten all screws






 P x 1pc

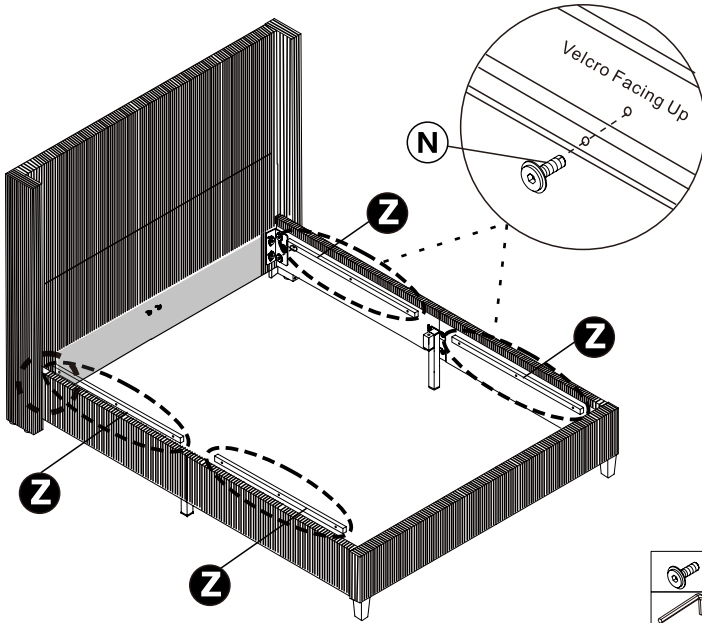
step 8



During the assembly, please first half-tighten all the screws into the holes. After all the screws are set, fully tighten them



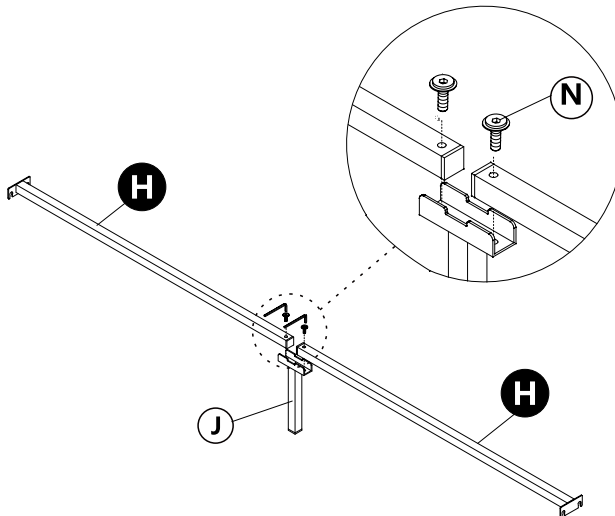
	Tx2pcs
	Lx6pcs
	P x 1pc



step9



	N x 12 pcs
	P x 1 pc

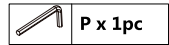
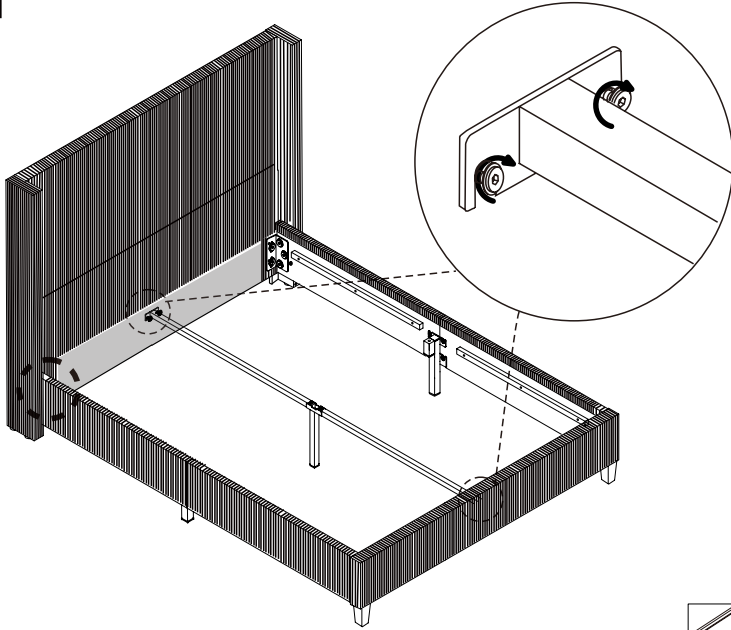
step10



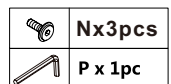
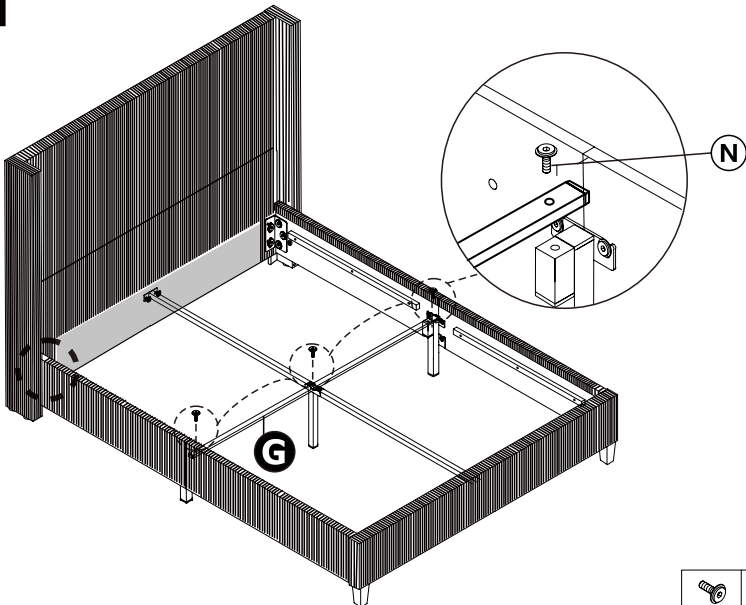
	N x 2 pcs
	P x 1 pc

step11

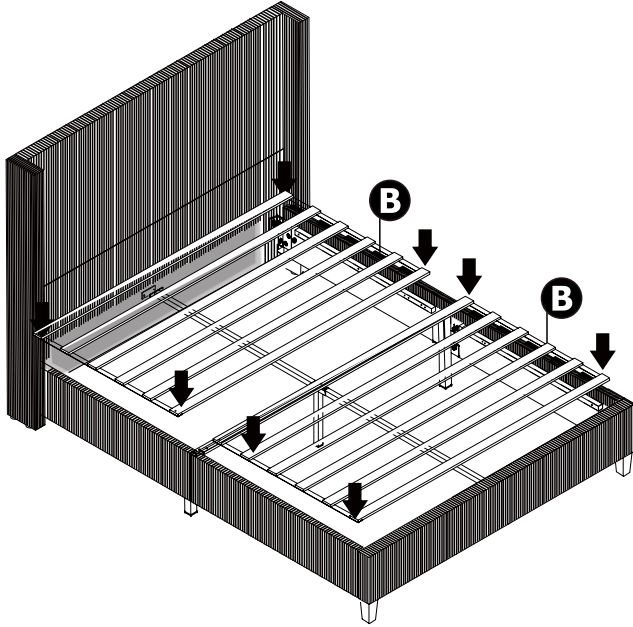
Tighten all screws



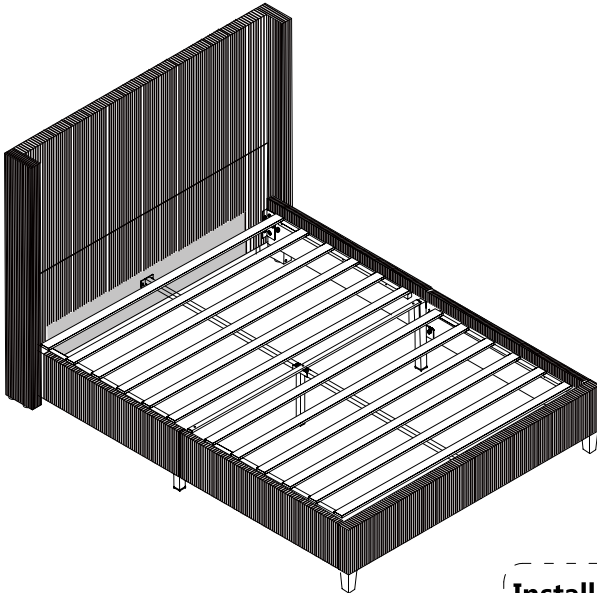
step12



step13



step14



Installation Complete