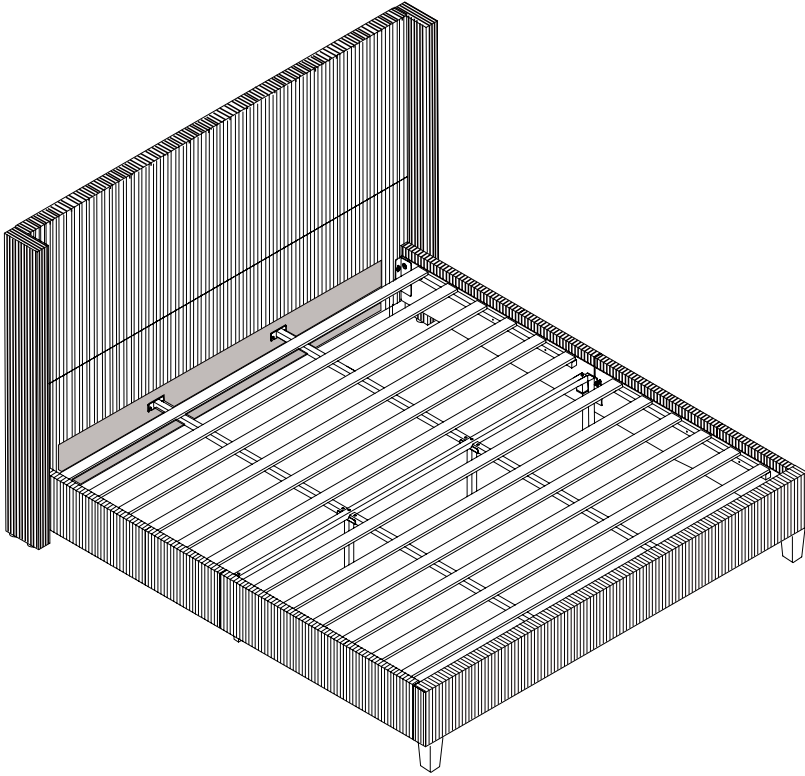


Assembly Instruction



Friendly Customer Service

Satisfaction Guarantees: Any problems with assembly, quality, or return, please feel free to contact us directly.

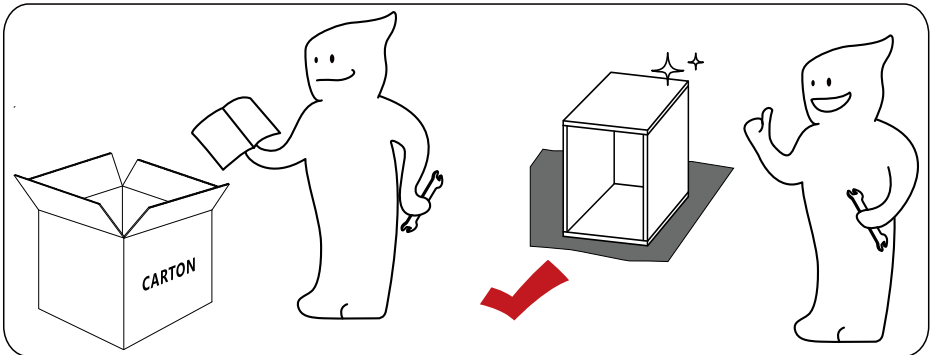
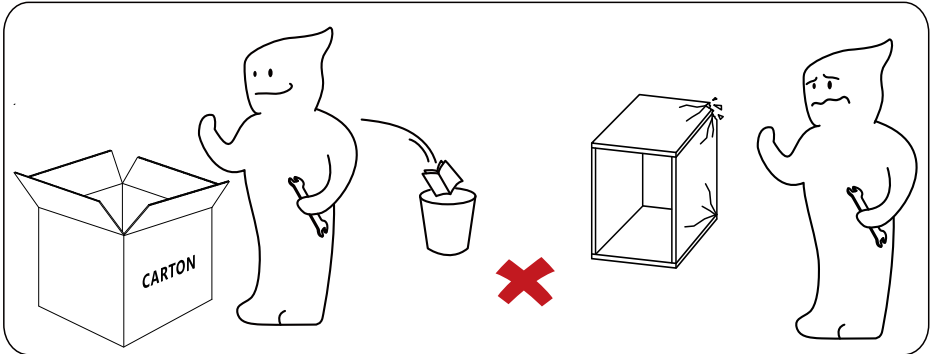
Contact us

Phone: +1(901)347-2181(US) Mon-Fri 9am - 5 pm(PST)

E-Mail: cs@howedirect.com (Get efficient feedback within 12 hours)

! IMPORTANT

Please follow the instruction manuals and use a pad to protect the product during your assembly.

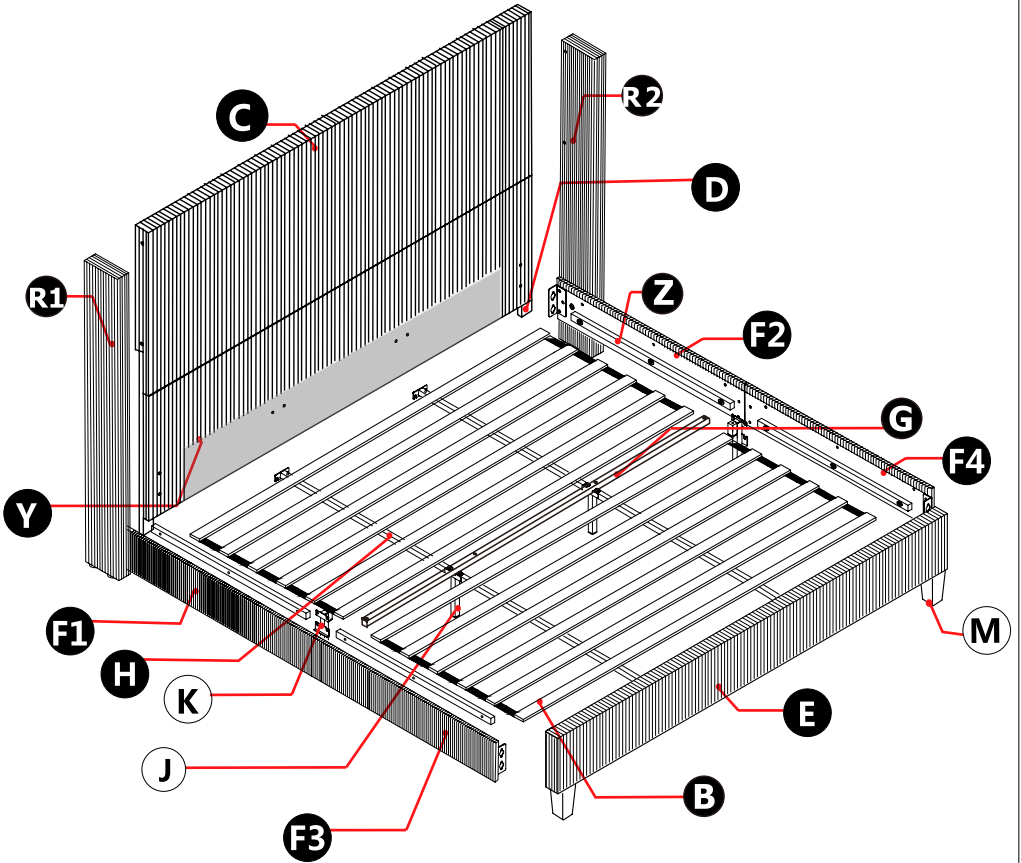


Note:

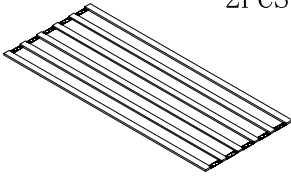
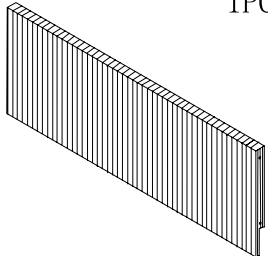
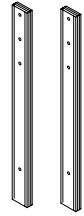
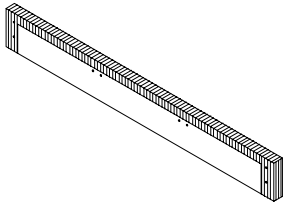
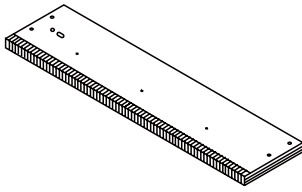
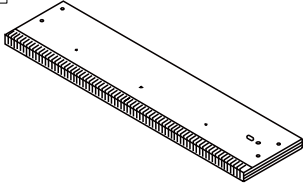
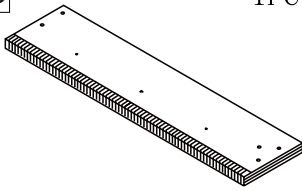
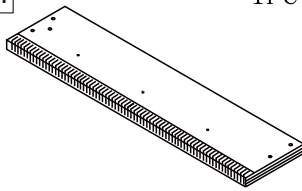
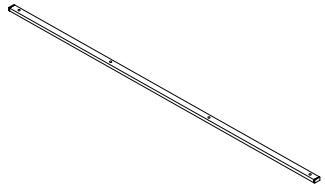
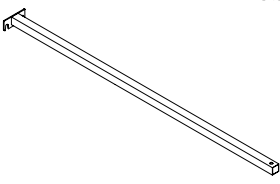
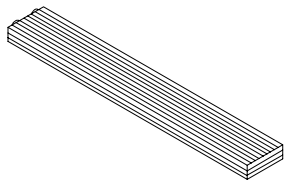
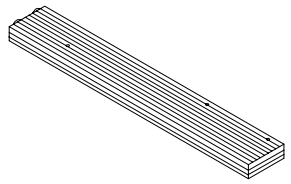
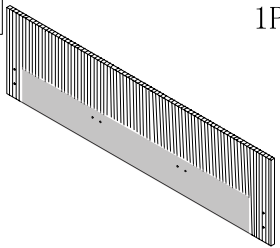
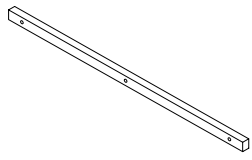
1. Should be assembled on flat ground to keep balance.
2. Before completing the installation, do not tighten the screws.



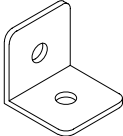
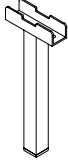
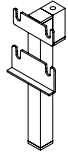
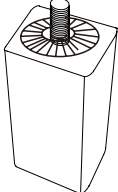
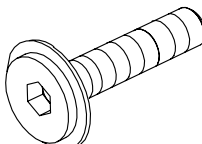
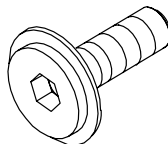
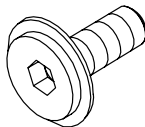
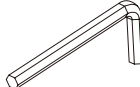
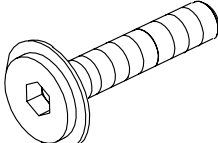
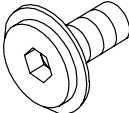
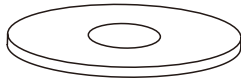
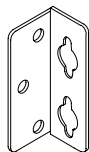
For easier and better assembly, **2** or more adults are required.



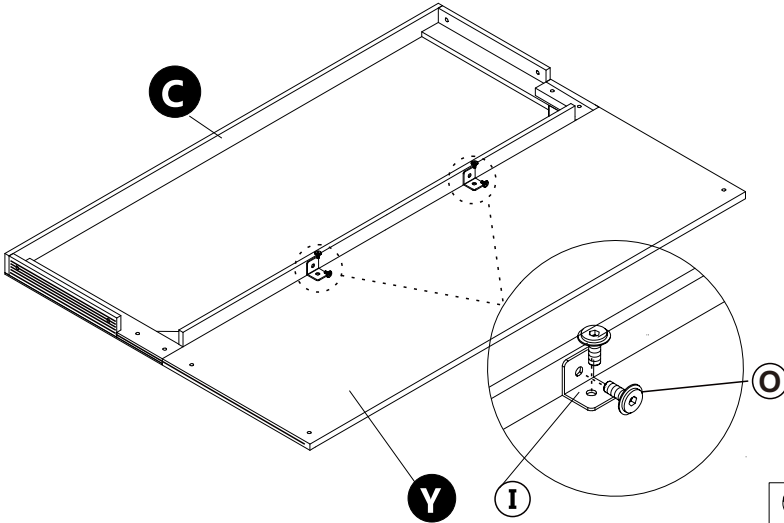
BED FRAME PARTS LIST




B  2PCS	C  1PC	D  2PCS
E  1PC	F1  1PC	F2  1PC
F3  1PC	F4  1PC	G  1PC
H  4PCS	R1  1PC	R2  1PC
Y  1PC	Z  4PCS	

FITTING PART LIST

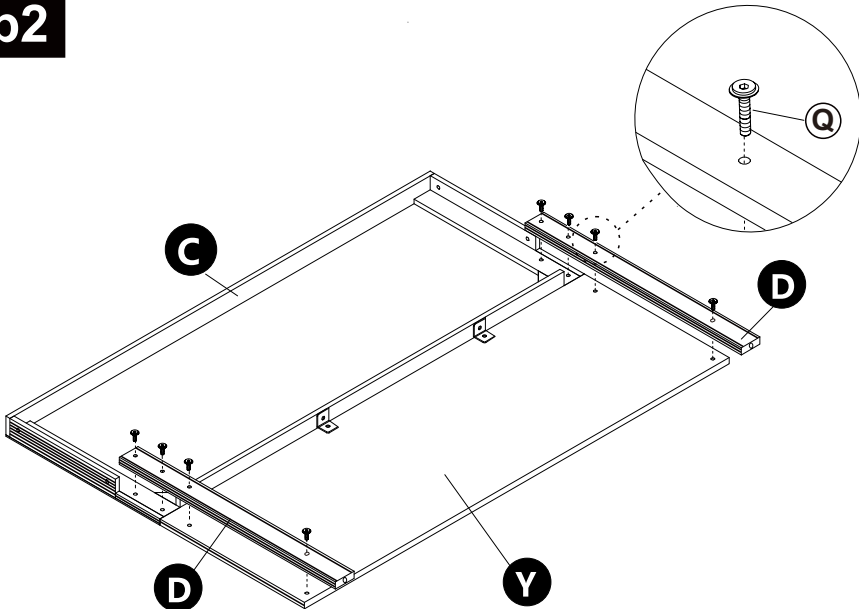
I  2PCS	J  2PCS	K  2PCS
M  2PCS	L  6PCS M8*45	N  20PCS M8*35
O  12PCS M8*25	P  1PC M6	Q  8PCS M8*55
S  28PCS M8*18	T  2PCS M8*22	X  4PCS



step1



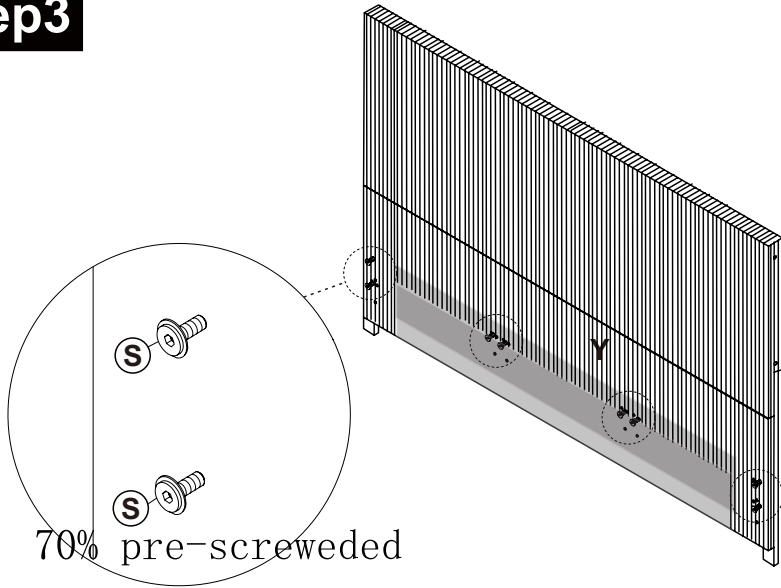
	O x 4pcs
	I x 2pcs
	P x 1pc



step2



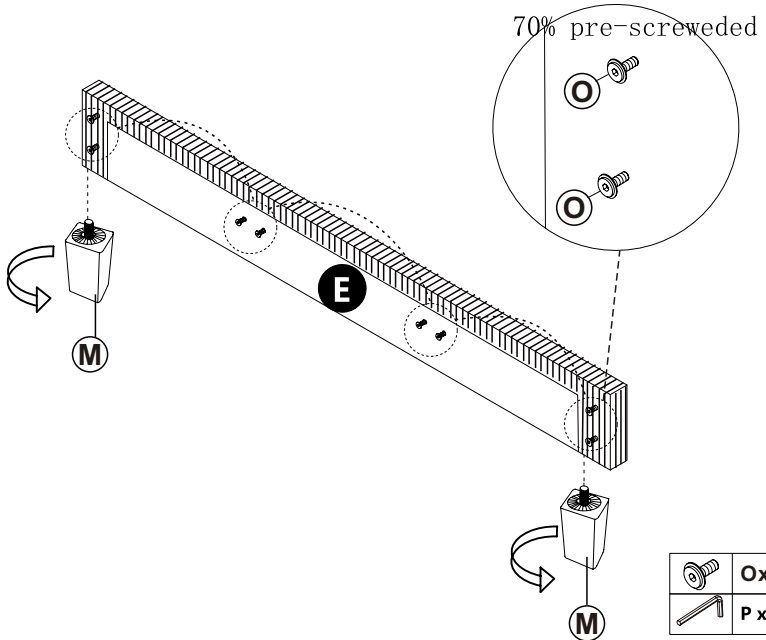
	Qx8pcs
	P x 1pc



step3



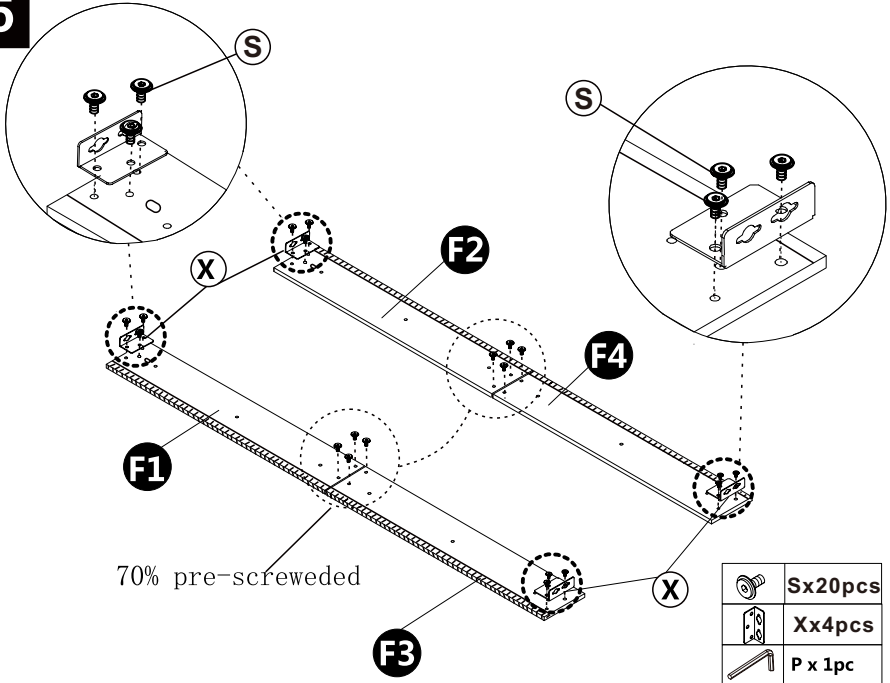
	Sx8pcs
	P x 1pc

step4

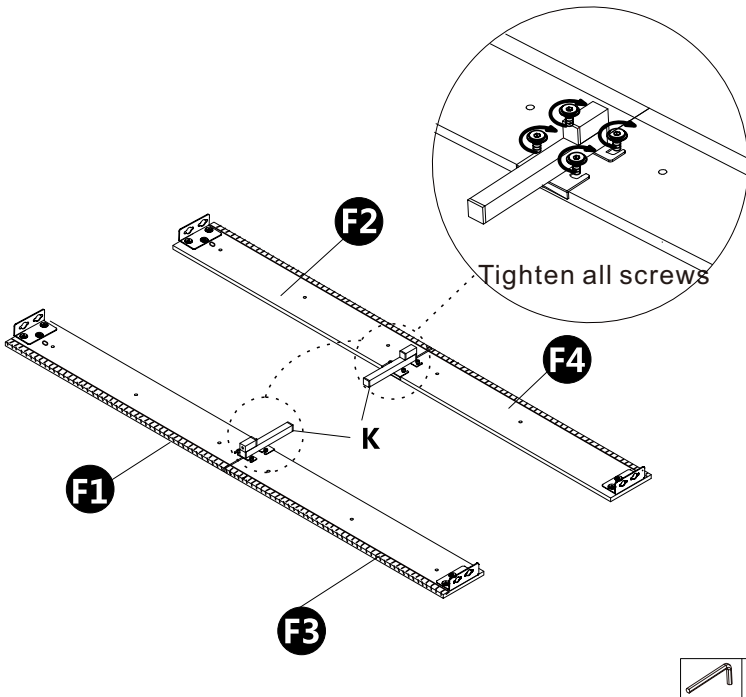


	Ox8pcs
	P x 1pc

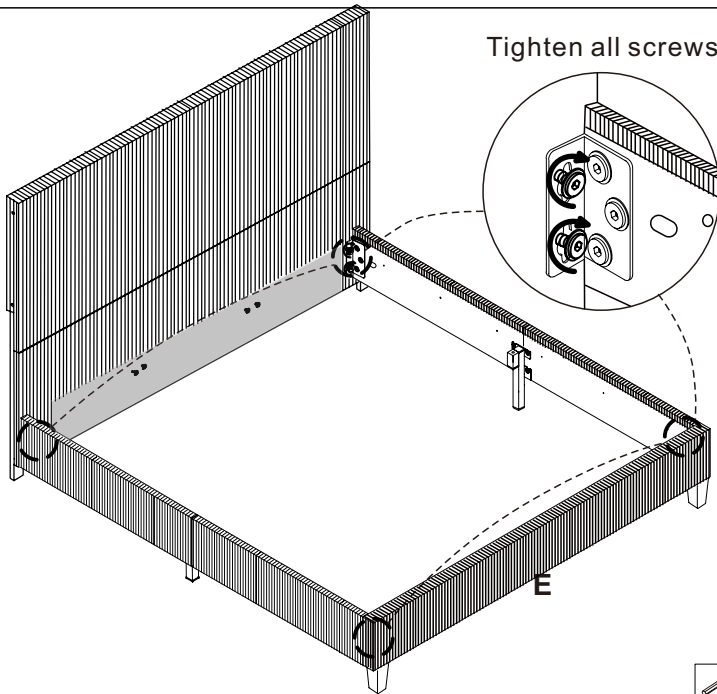
step5



step6

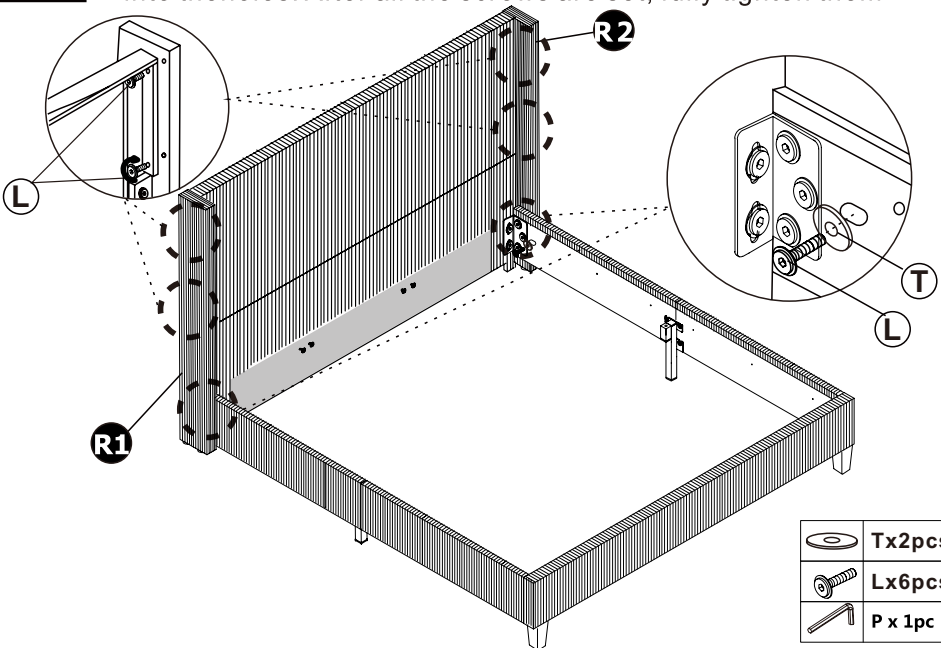


step 7

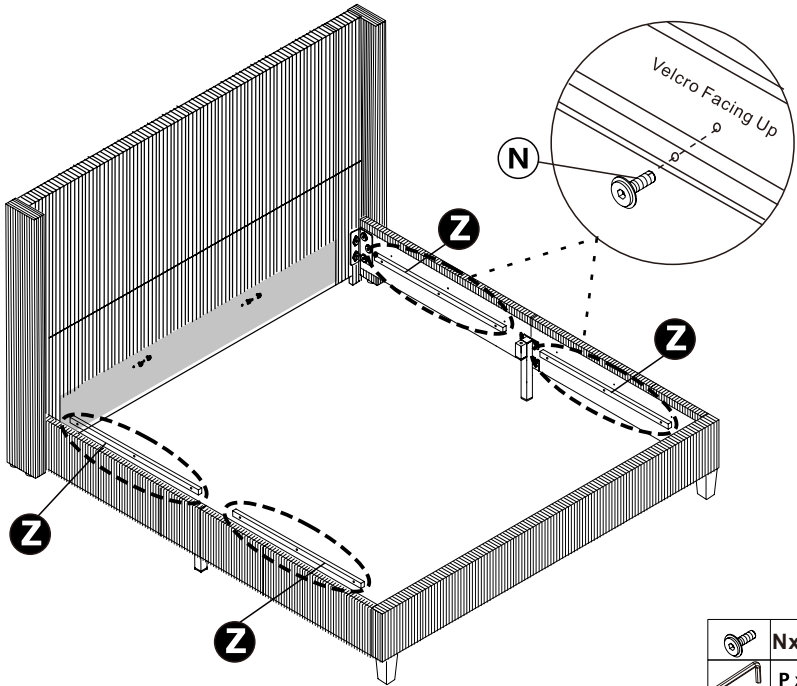




step 8

During the assembly, please first half-tighten all the screws into the holes. After all the screws are set, fully tighten them

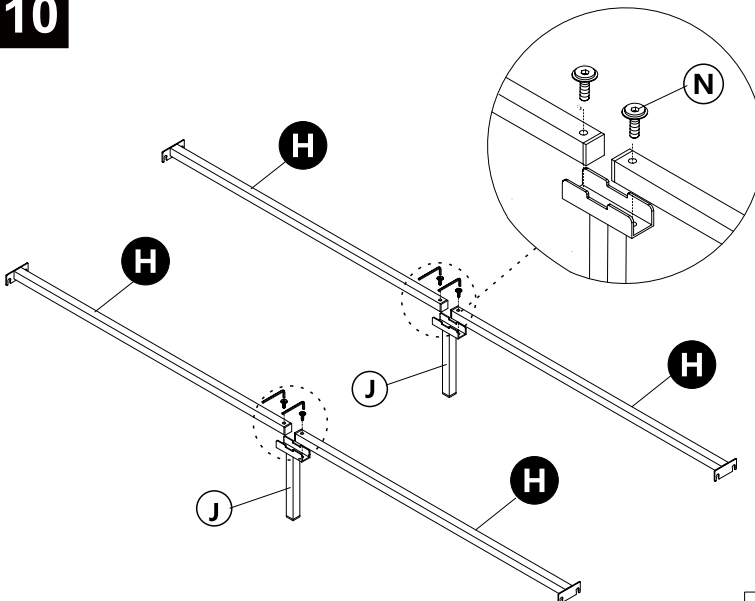




step9



	N x 12 pcs
	P x 1 pc

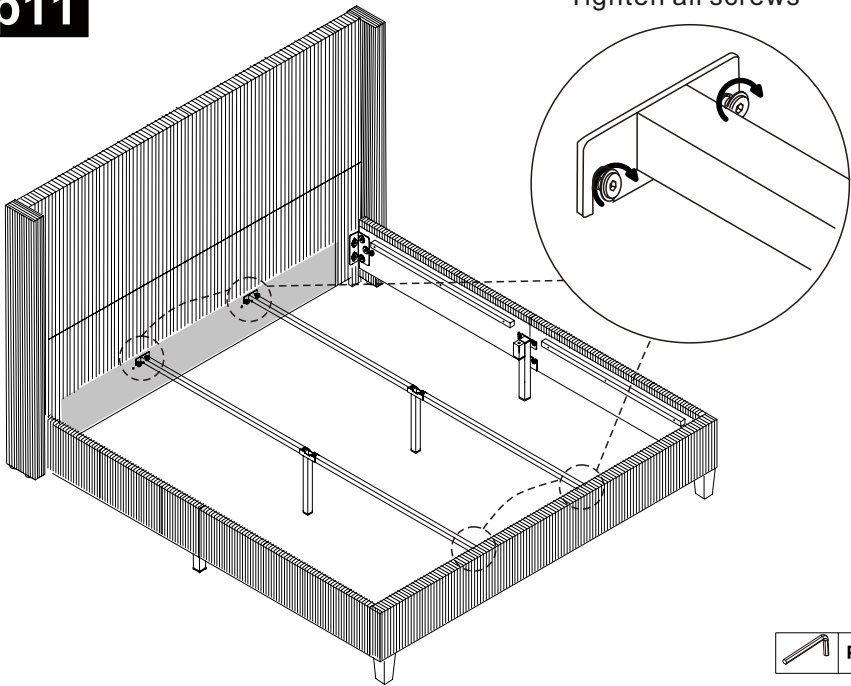
step10




	N x 4 pcs
	P x 1 pc

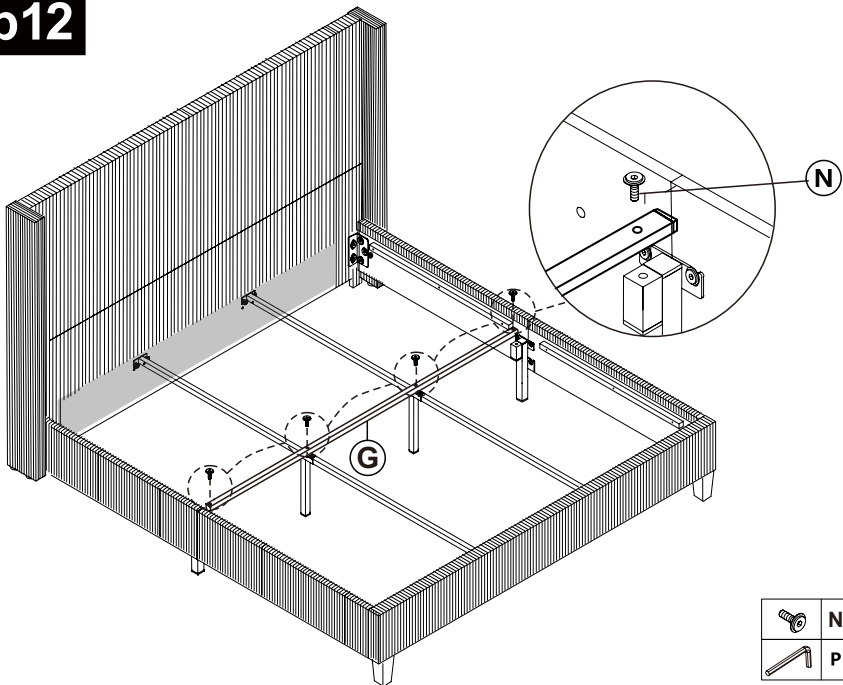
step11



Tighten all screws



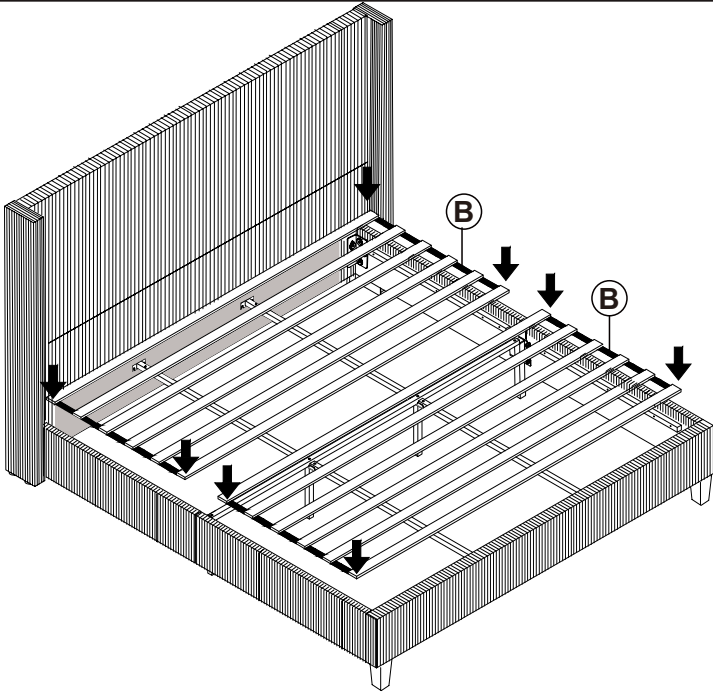
 P x 1pc

step12

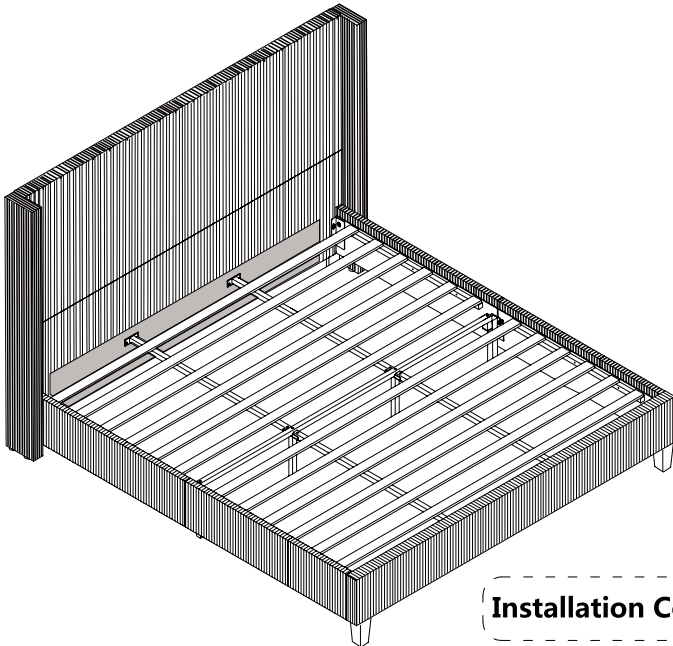


 N x 4pcs
 P x 1pc

step13



step14



Installation Complete