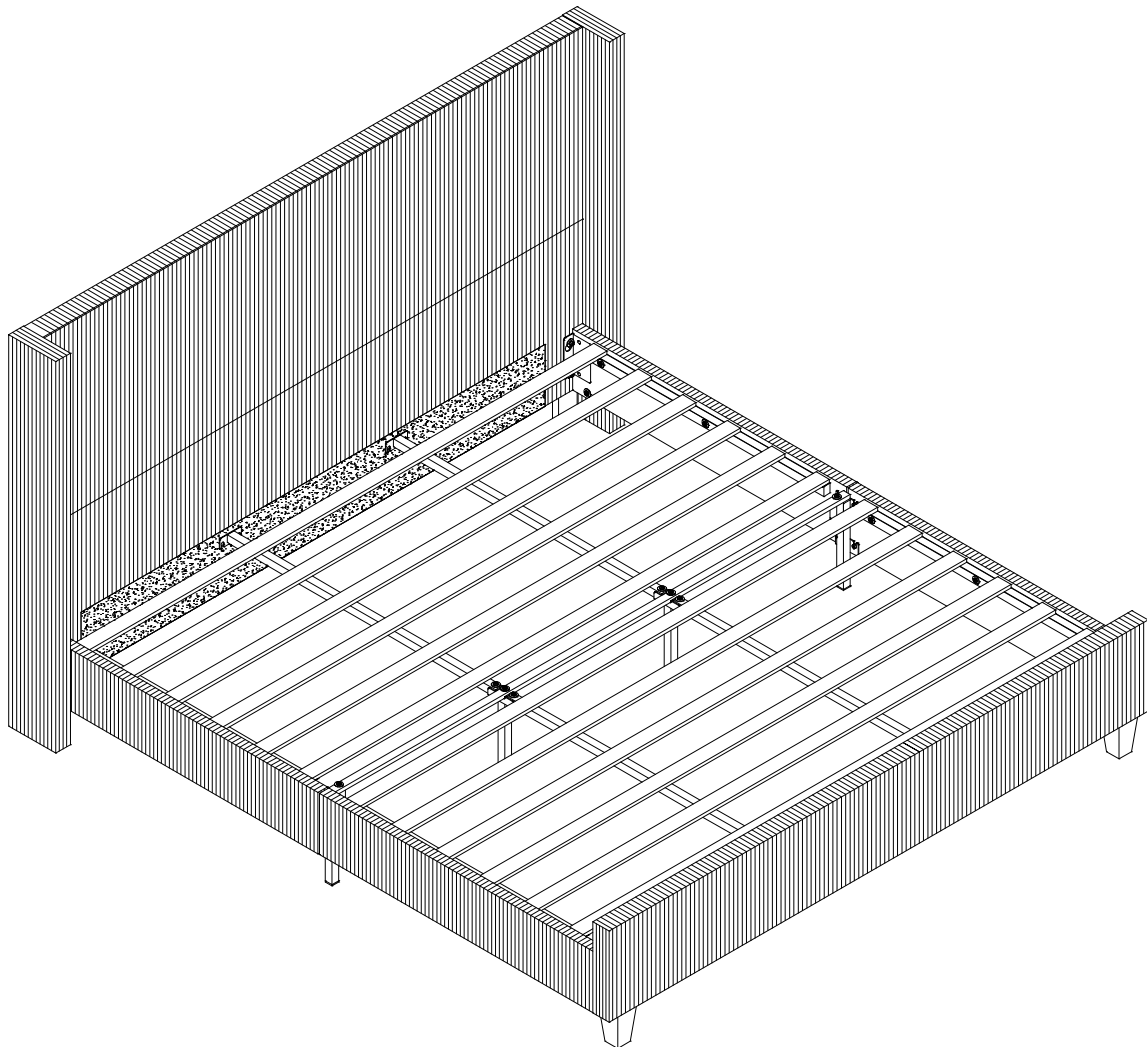


Upholstered Platform Bed with Tufted Wingback Headboard(Y2235-K)

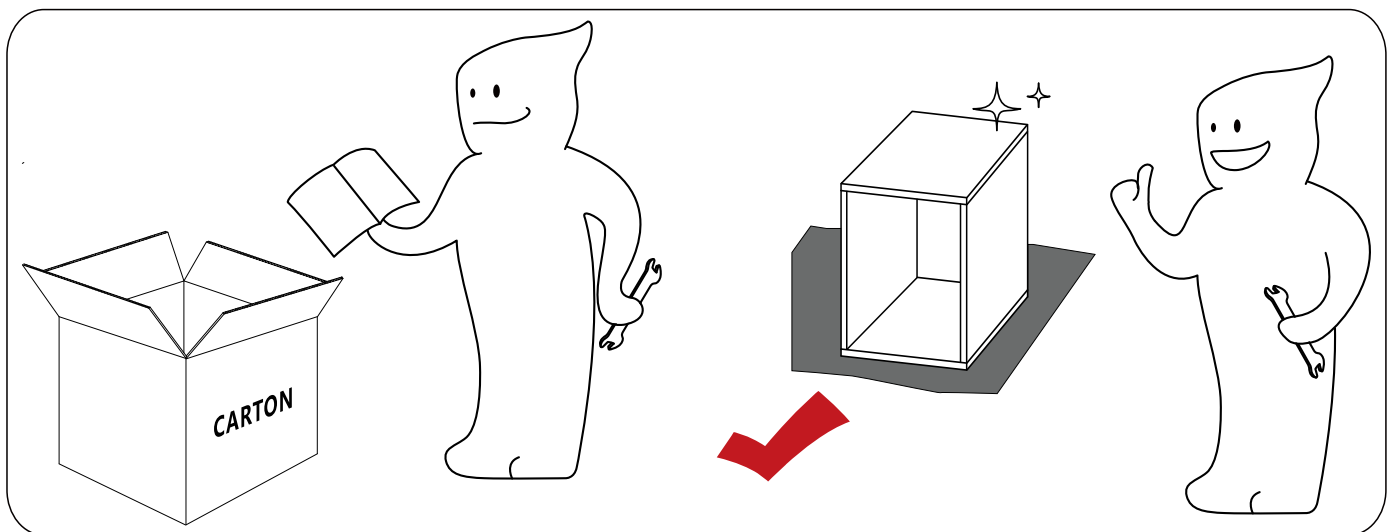
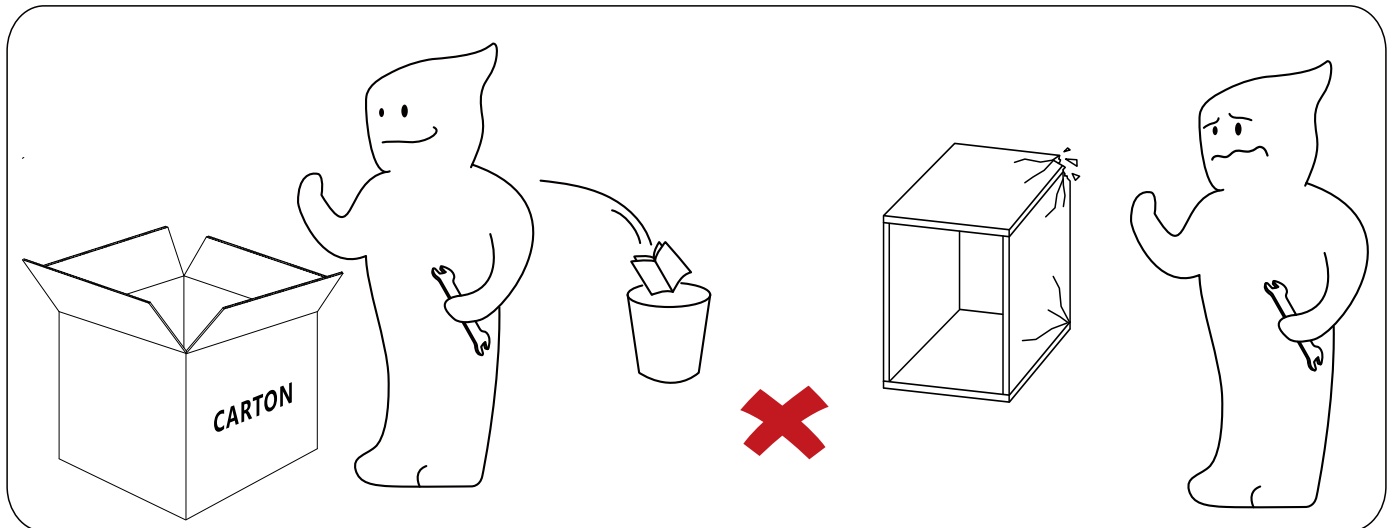


Dear Customers,

Thank you for purchasing our product. Please read this instruction manual carefully after receiving this product. It will help you assemble this product quickly, safely and correctly. You can keep this manual for future reference.

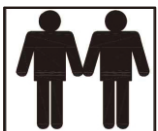
! IMPORTANT

Please follow the instruction manuals and use a pad to protect the product during your assembly.

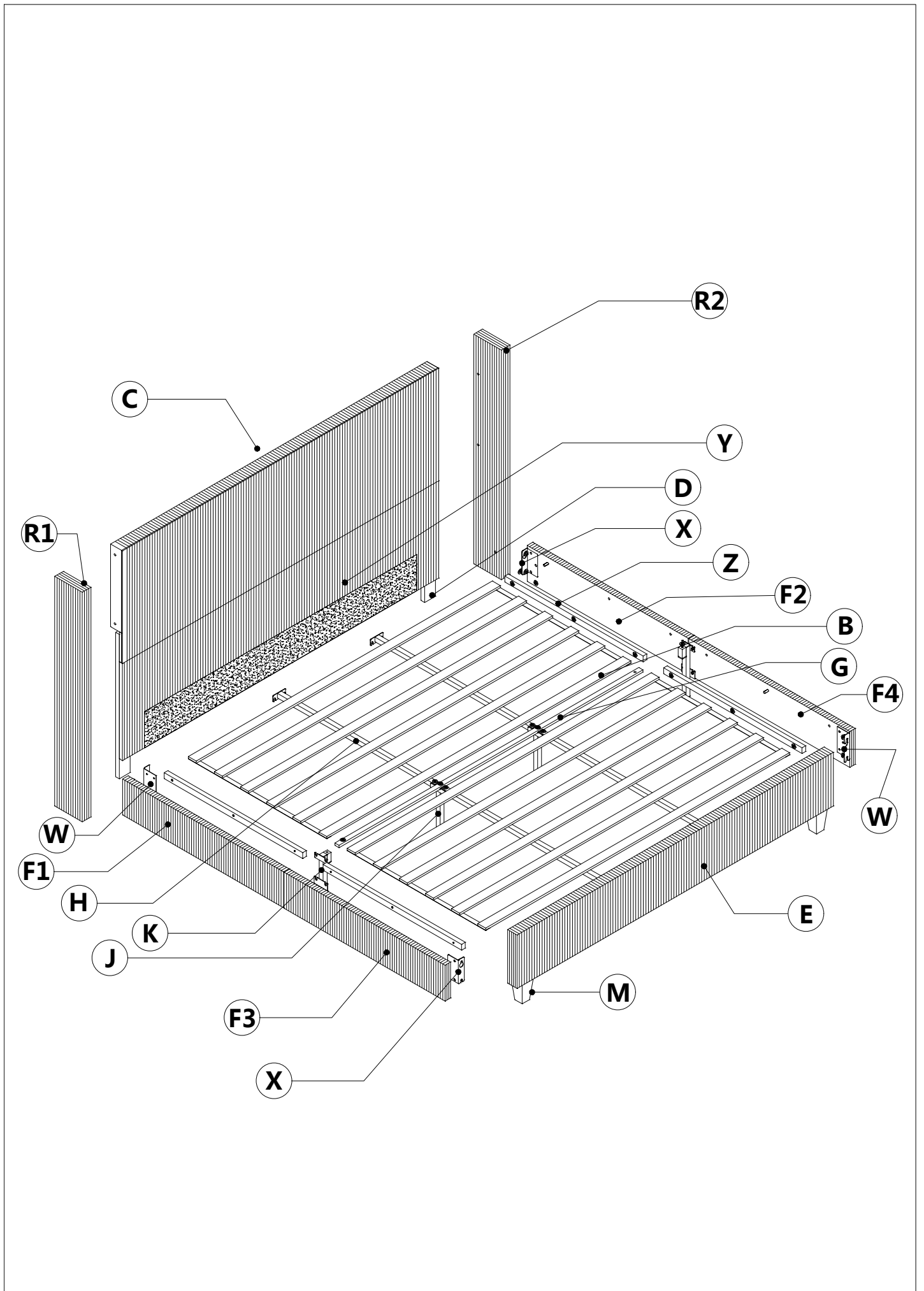


Note:

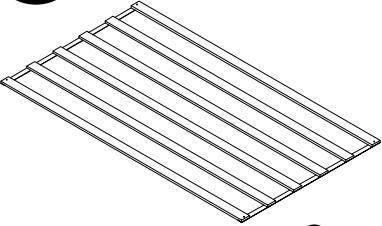
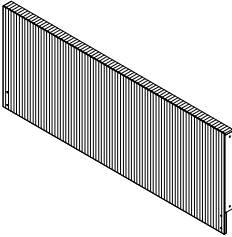
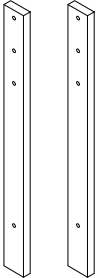
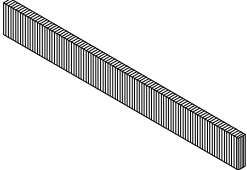
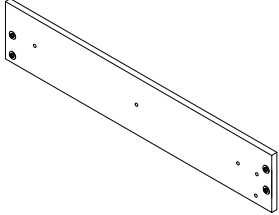
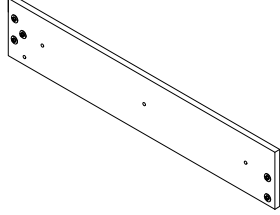
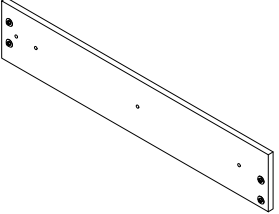
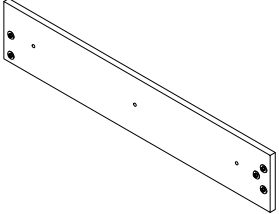
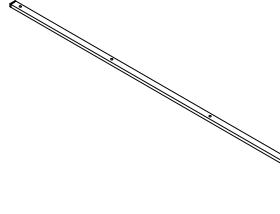
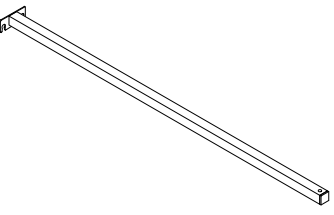

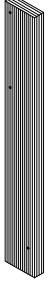
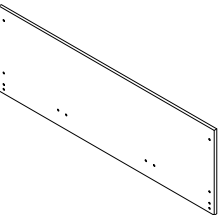
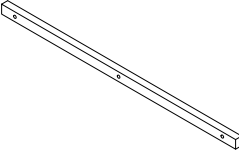
1. Should be assembled on flat ground to keep balance.
2. Before completing the installation, do not tighten the screws.



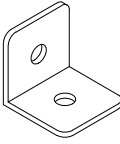
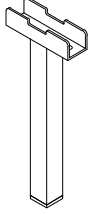
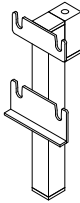
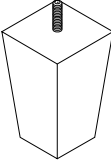
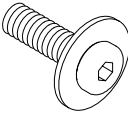
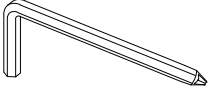
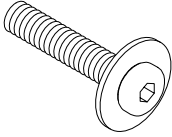
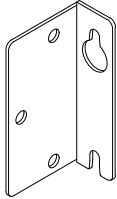
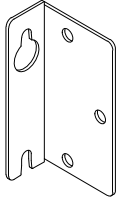
For easier and better assembly, **2** or more adults are required.

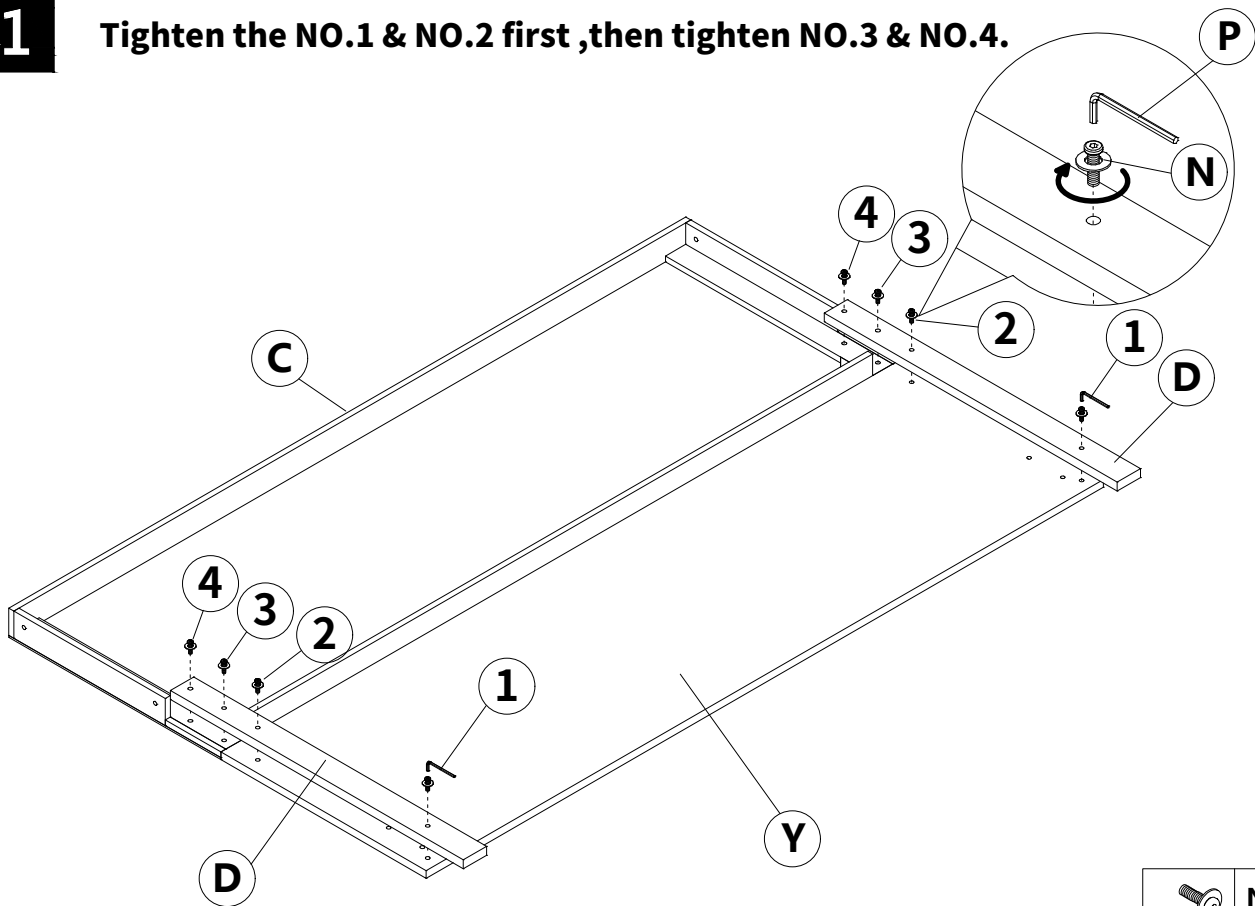




BED FRAME PARTS LIST

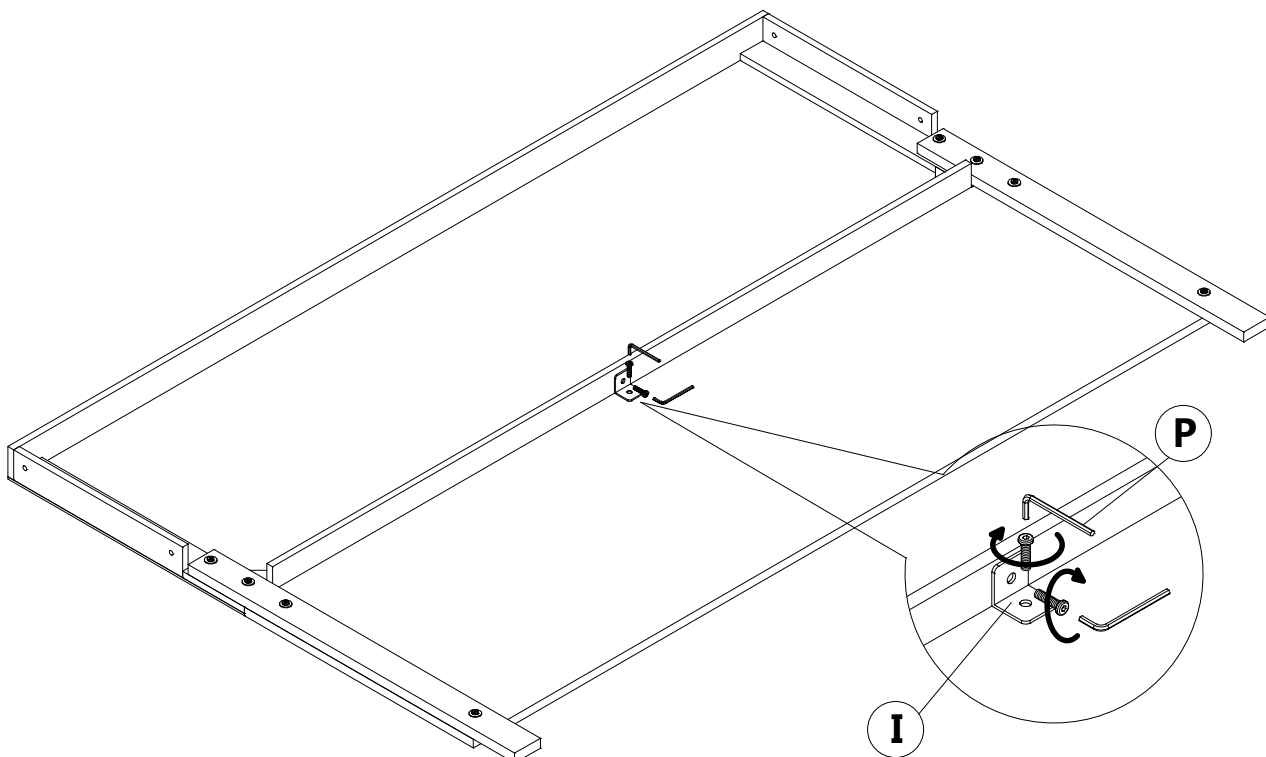
<p>(B)</p>  <p>2pcs</p>	<p>(C)</p>  <p>1pc</p>	<p>(D)</p>  <p>2pcs</p>
<p>(E)</p>  <p>1pc</p>	<p>(F1)</p>  <p>1pc</p>	<p>(F2)</p>  <p>1pc</p>
<p>(F3)</p>  <p>1pc</p>	<p>(F4)</p>  <p>1pc</p>	<p>(G)</p>  <p>1pc</p>
<p>(H)</p>  <p>4pcs</p>	<p>(R1)</p>  <p>1pc</p>	<p>(R2)</p>  <p>1pc</p>
<p>(Y)</p>  <p>1pc</p>	<p>(Z)</p>  <p>4pcs</p>	

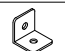

FITTING PART LIST

<p>I</p>  <p>1pc</p>	<p>J</p>  <p>2pcs</p>	<p>K</p>  <p>2pcs</p>
<p>M</p>  <p>2pcs</p>	<p>N</p>  <p>32pcs+1pc</p>	<p>P</p>  <p>1pc</p>
<p>Q</p>  <p>2pcs</p>	<p>W</p>  <p>2pcs</p>	<p>X</p>  <p>2pcs</p>

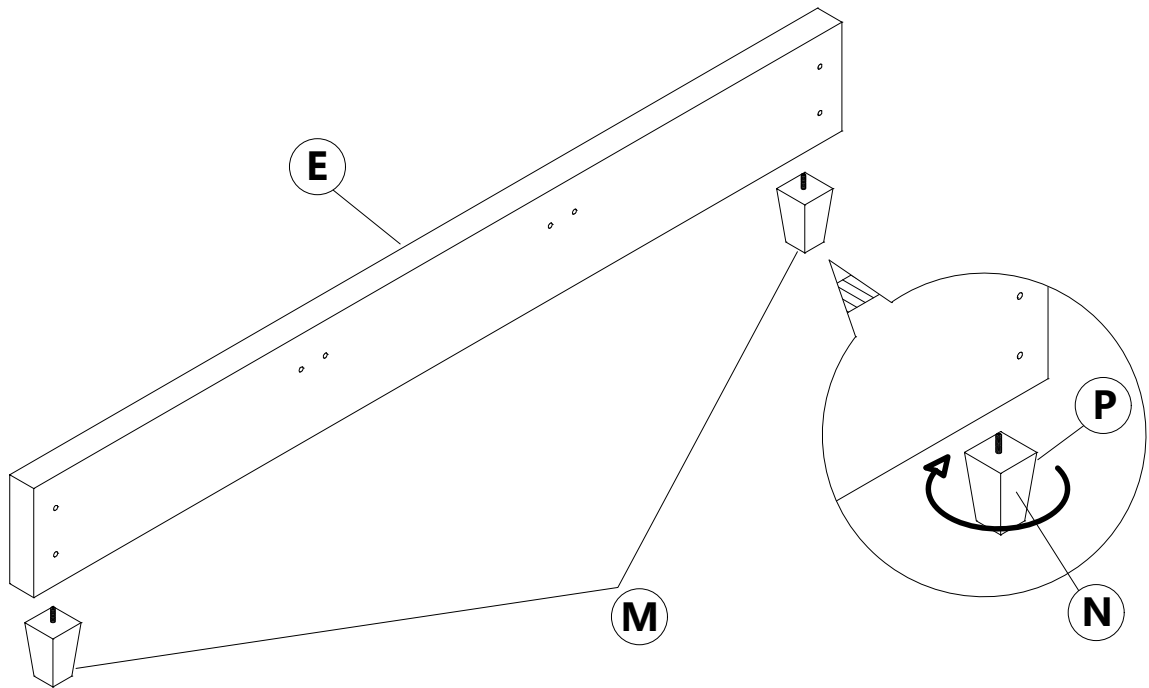
1**Tighten the NO.1 & NO.2 first ,then tighten NO.3 & NO.4.**

	N x 8pcs
	P x 1pc

2**L Shape connector Iron plate**

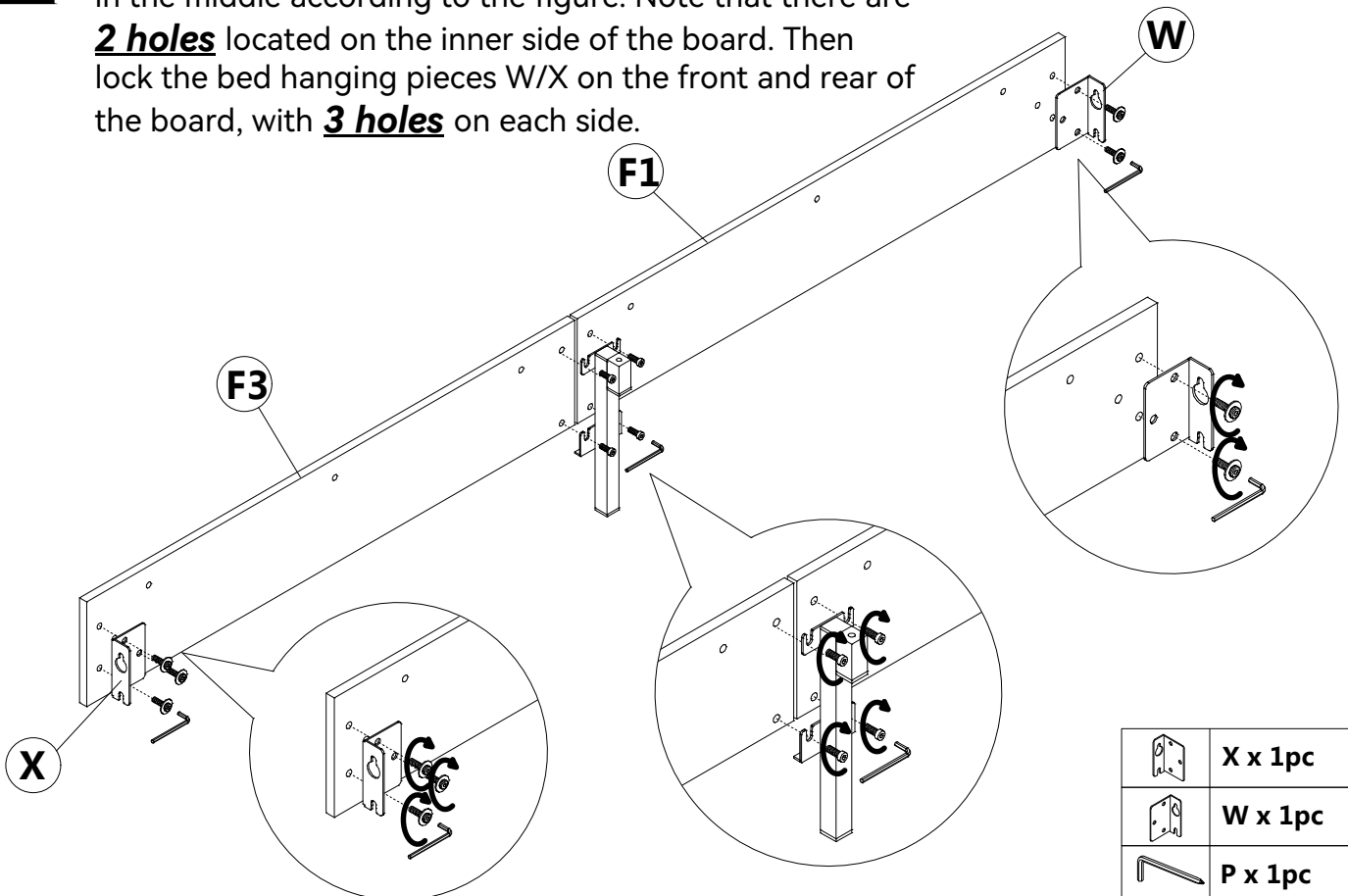
	I x 1pc
	P x 1pc

3

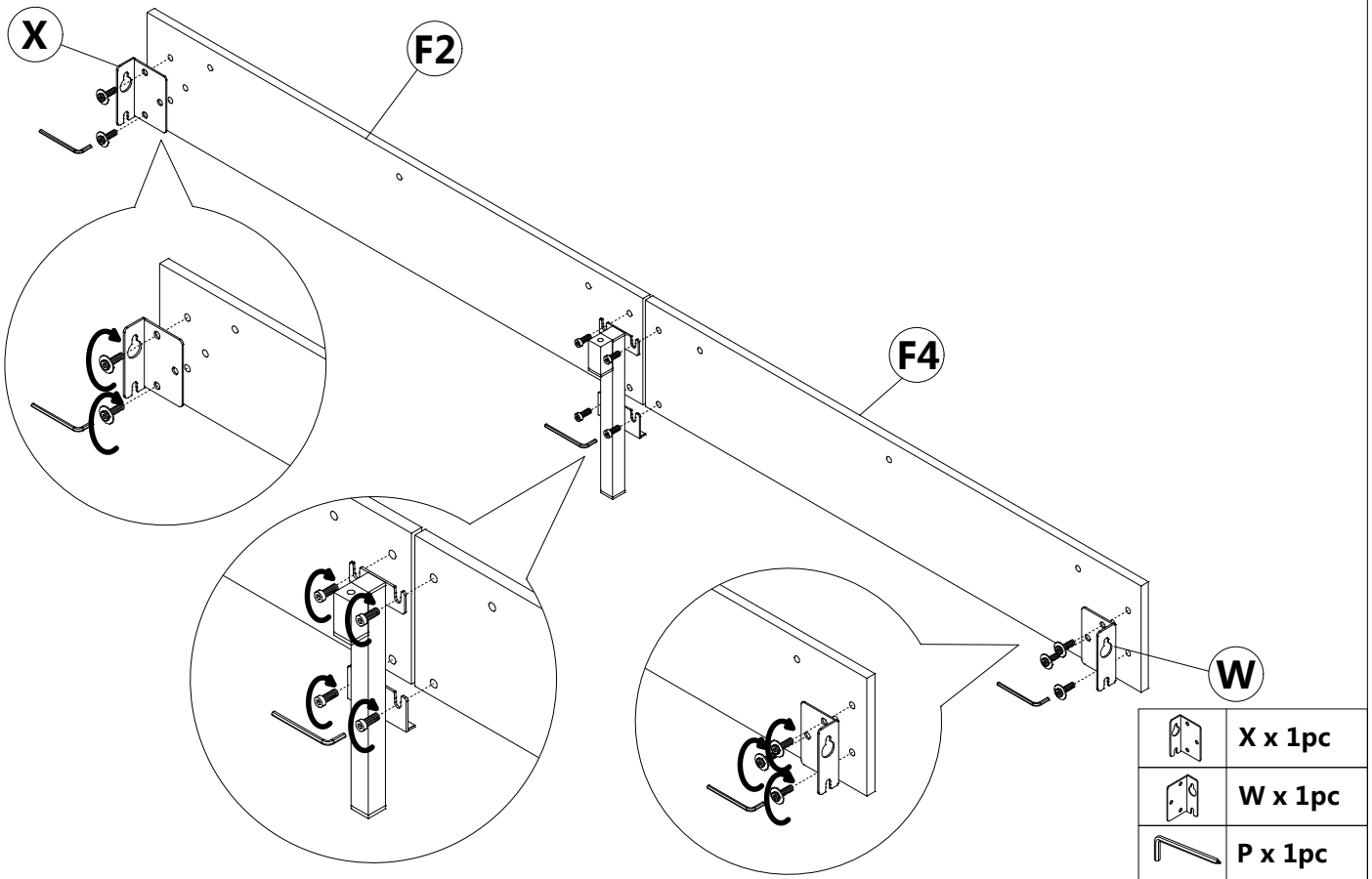


4

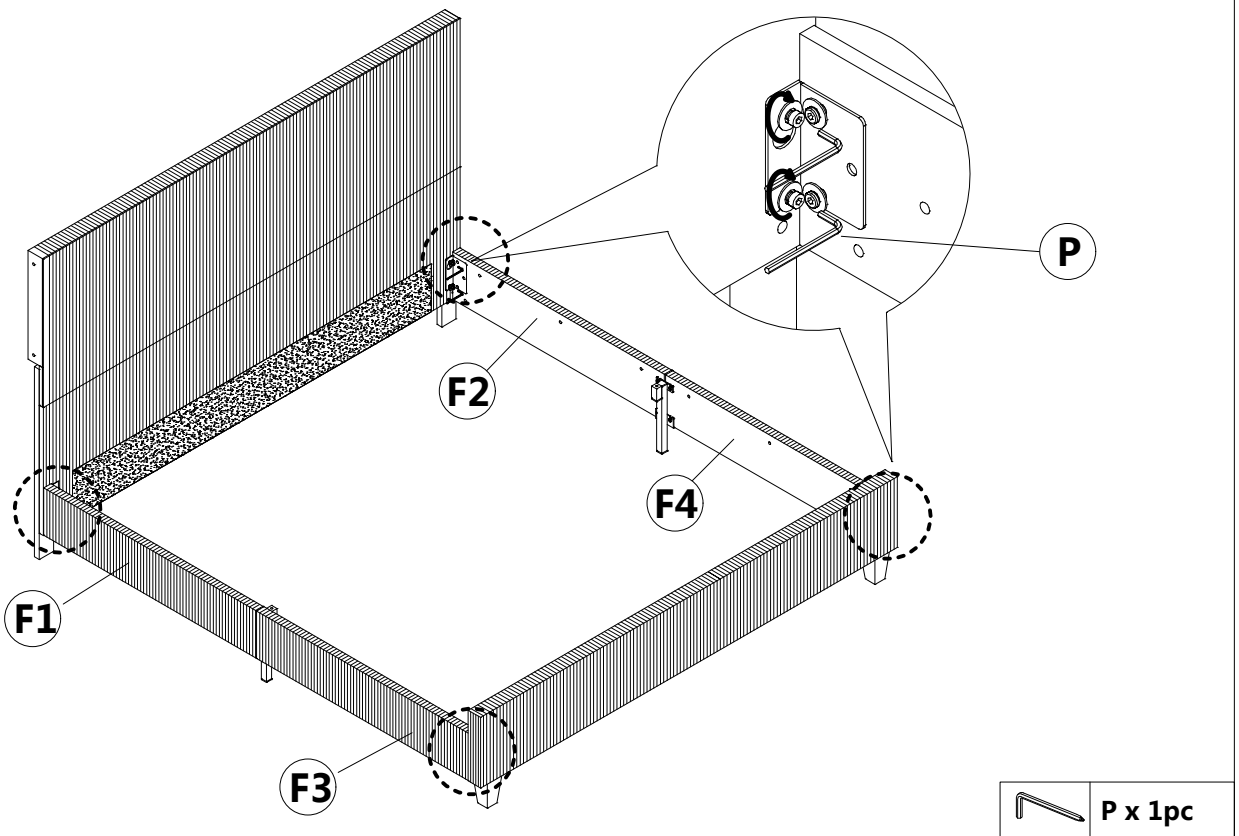
Take out parts F1 and F2, and lock the iron frame foot K in the middle according to the figure. Note that there are **2 holes** located on the inner side of the board. Then lock the bed hanging pieces W/X on the front and rear of the board, with **3 holes** on each side.



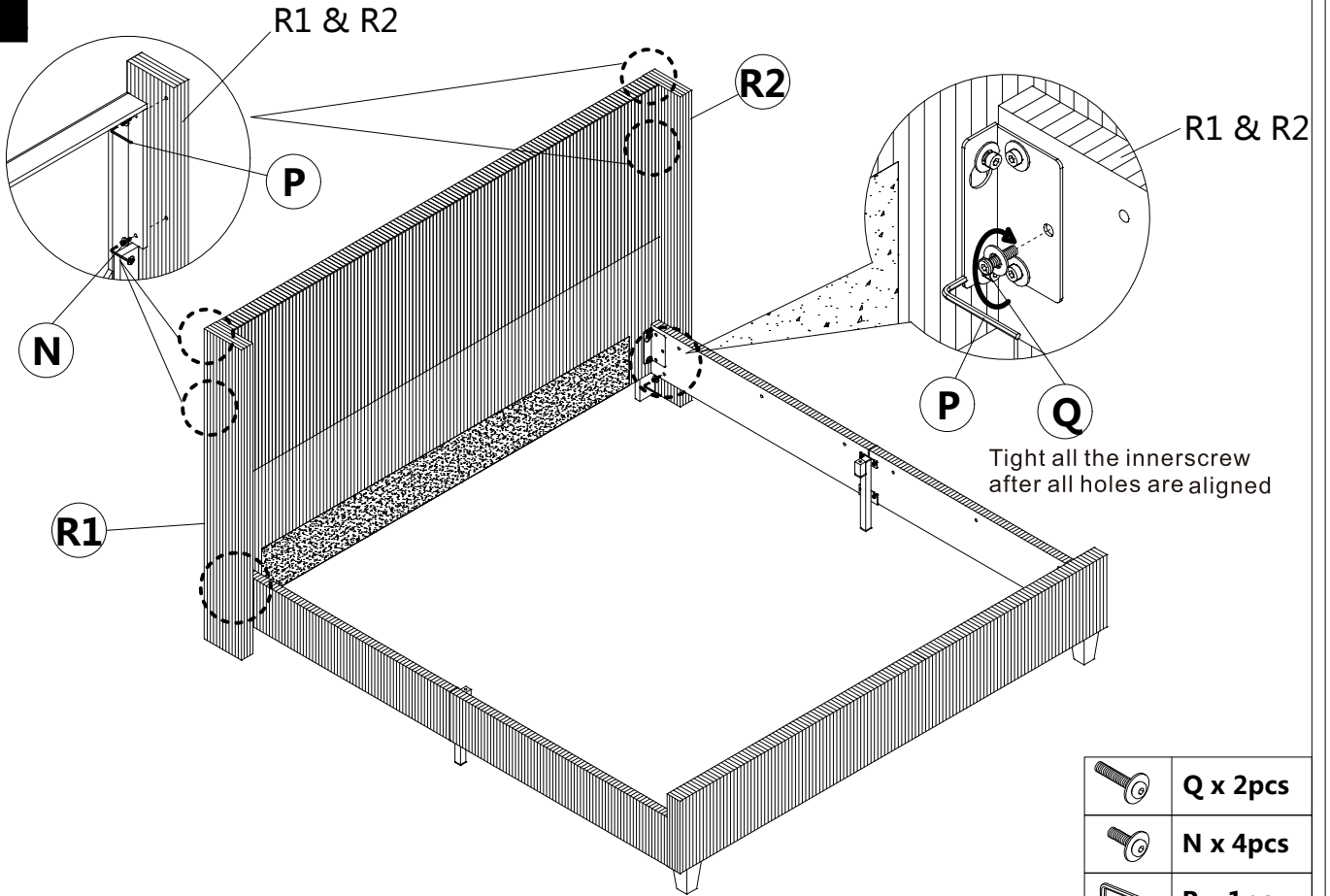
5 Same as Step 4



6 Loosen the screw of headboard side leg and both sides of footboard, hanging the bracket and tight the innerscrew.

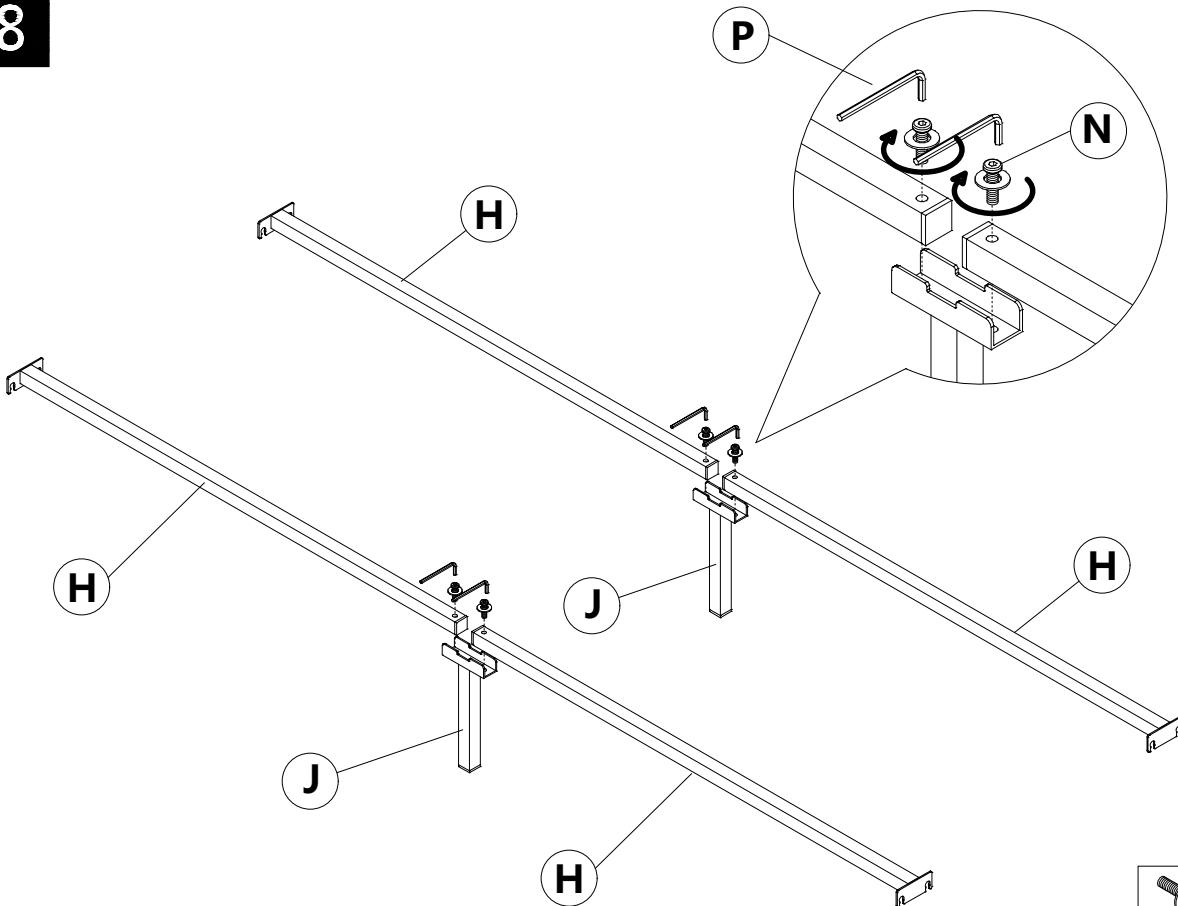


7



	Q x 2pcs
	N x 4pcs
	P x 1pc

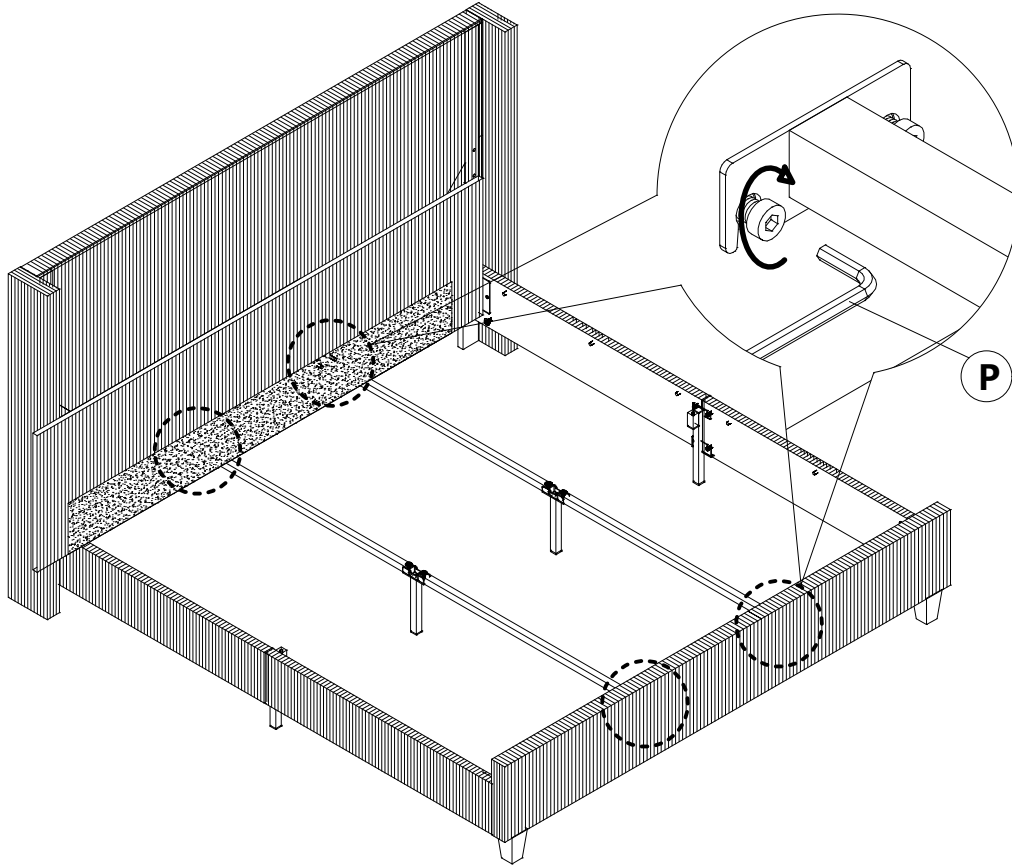
8




	N x 4pcs
	P x 1pc

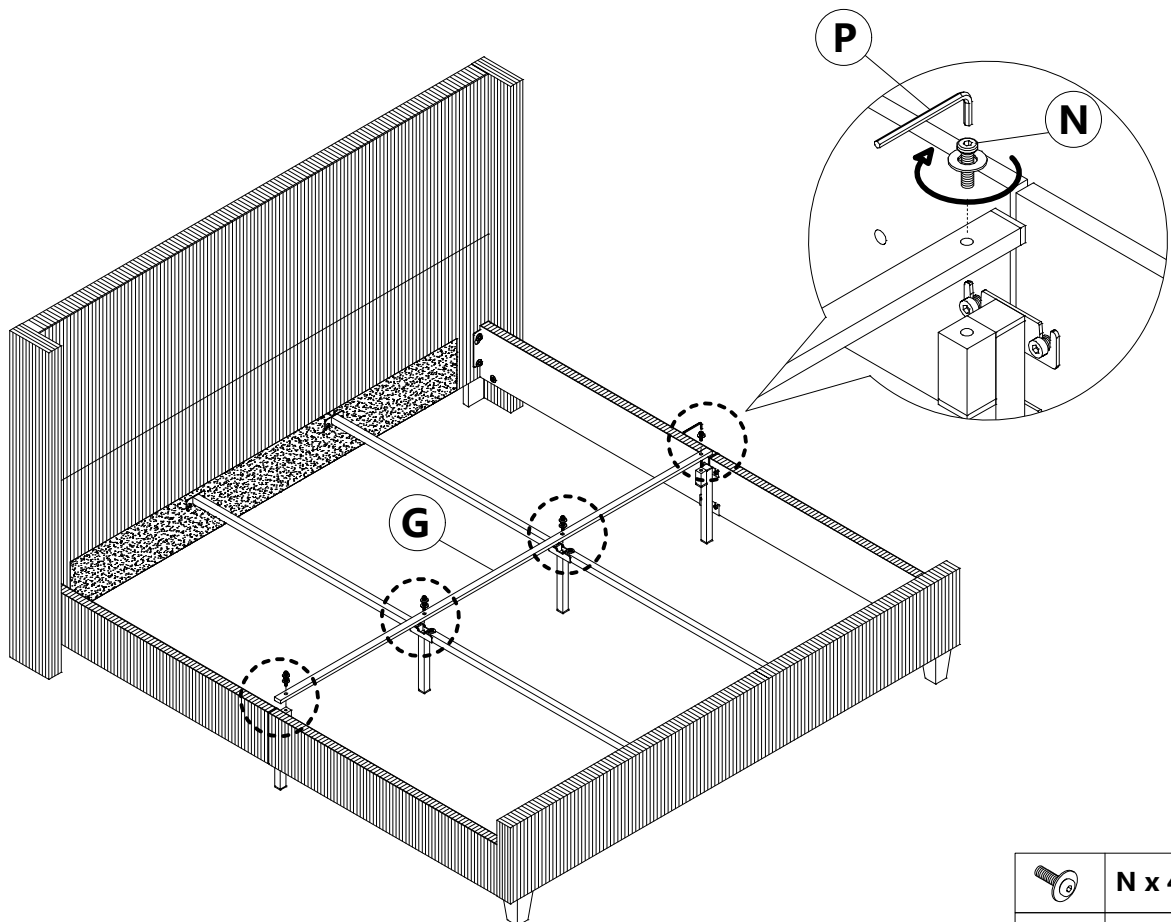
9



Loosen the screw of the middle of footboard, hanging the bracket and tight the innerscrew.



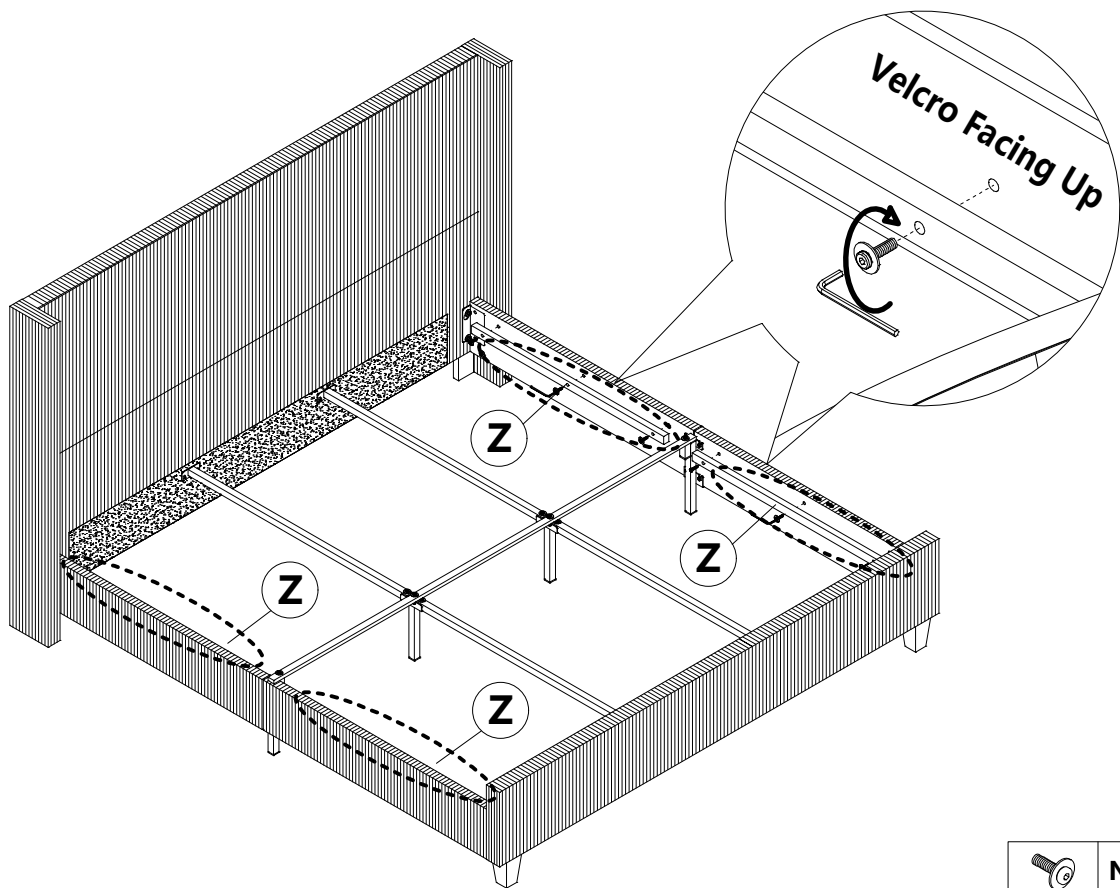
	P x 1pc
---	---------



10



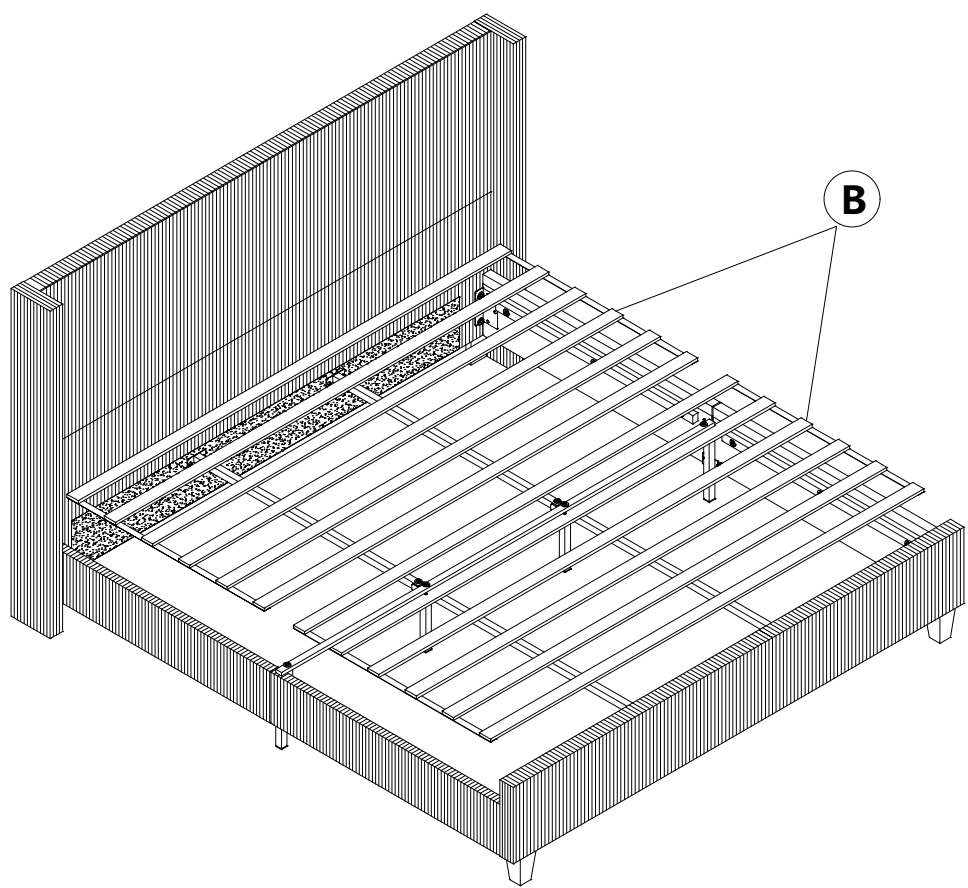
	N x 4pcs
	P x 1pc

11

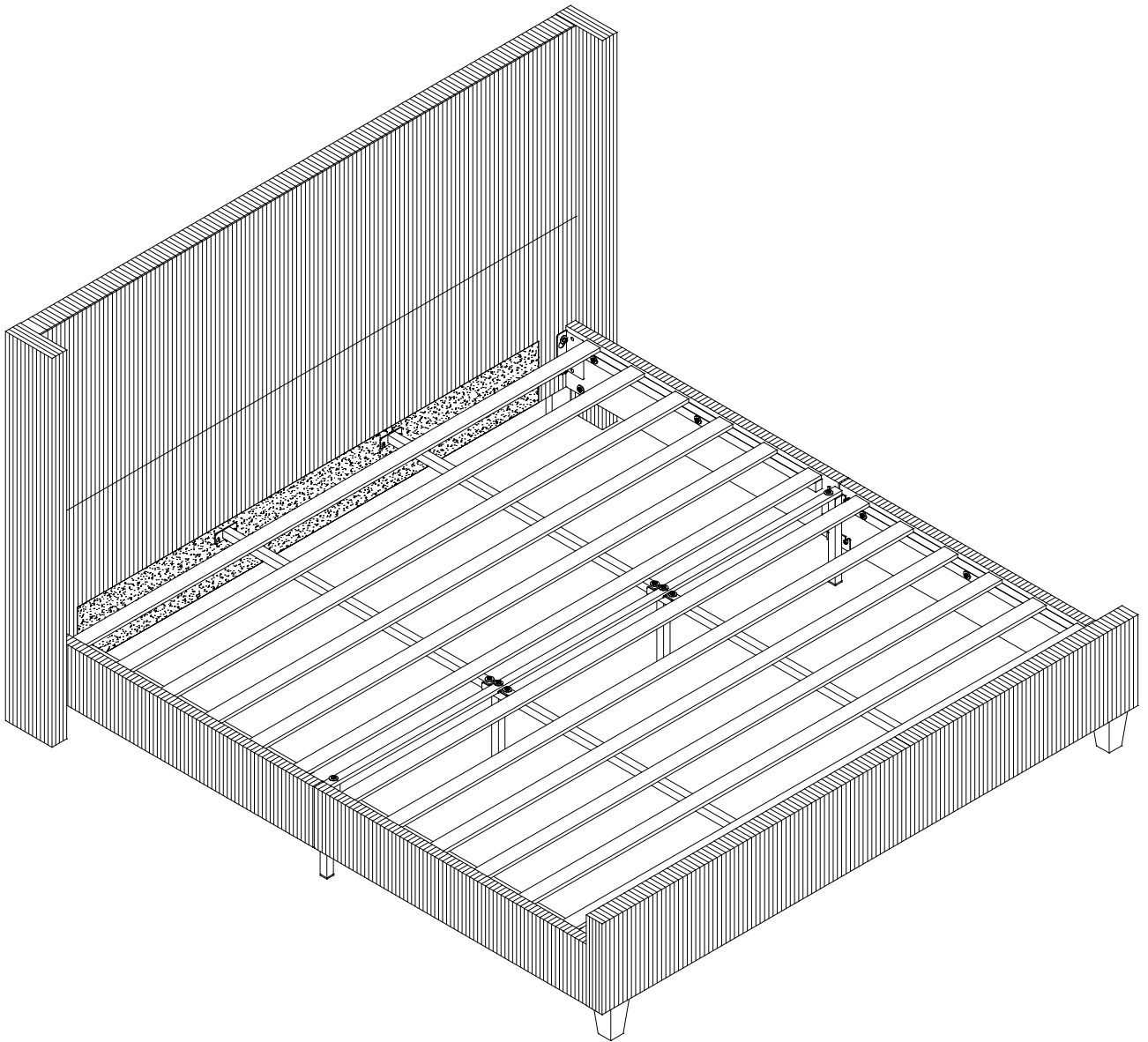


	N x 12pcs
	P x 1pc

12



13



Installation Complete