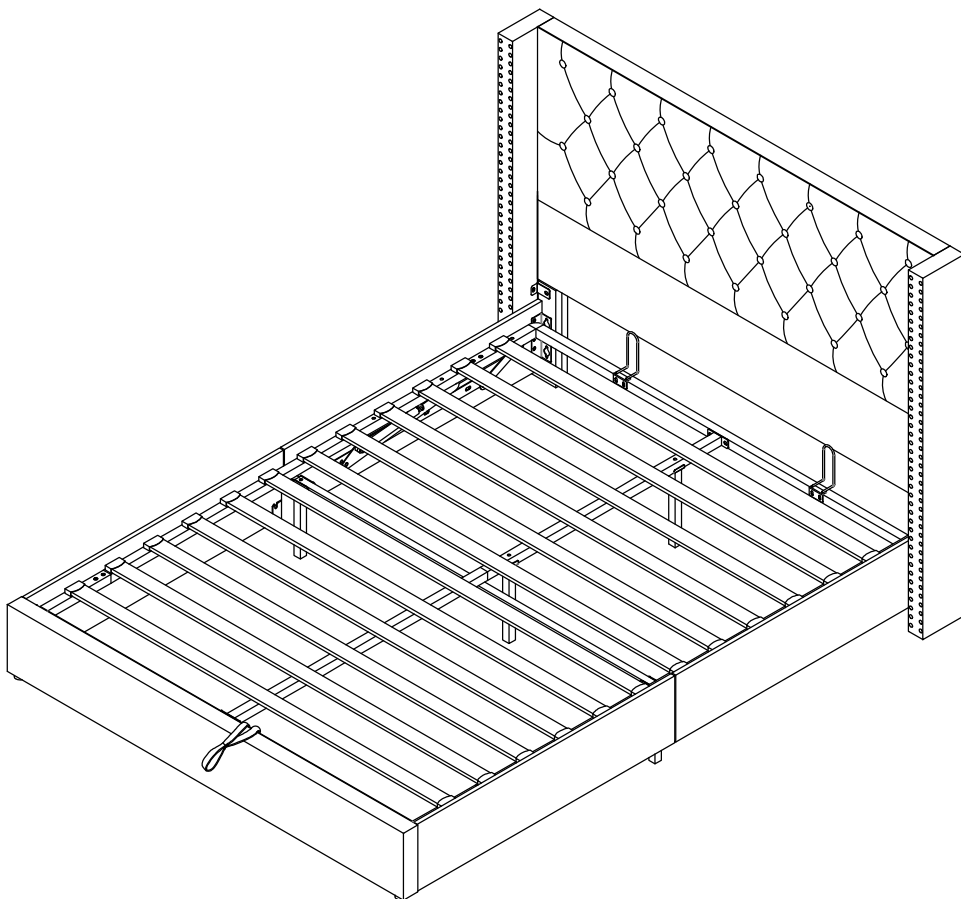


Upholstered Platform Bed with Tufted Wingback Headboard.

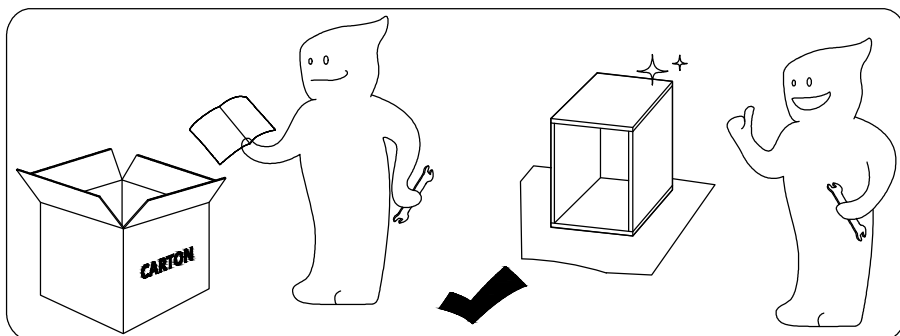
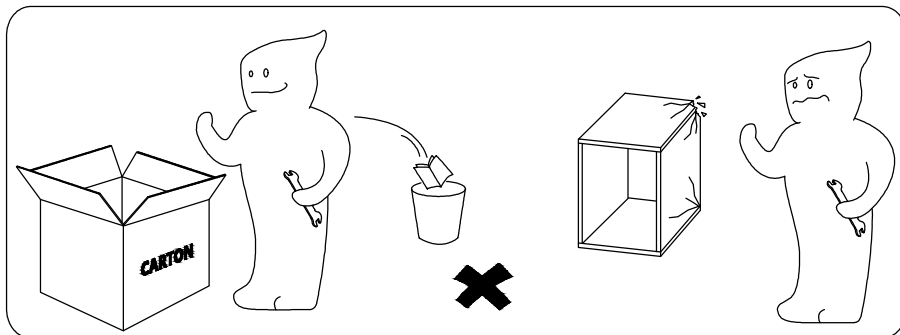


Dear Customers,

Thank you for purchasing our product. Please read this instruction manual carefully after receiving this product. It will help you assemble this product quickly, safely and correctly. You can keep this manual for future reference.

! IMPORTANT

Please follow the instruction manuals and use a pad to protect the product during your assembly.

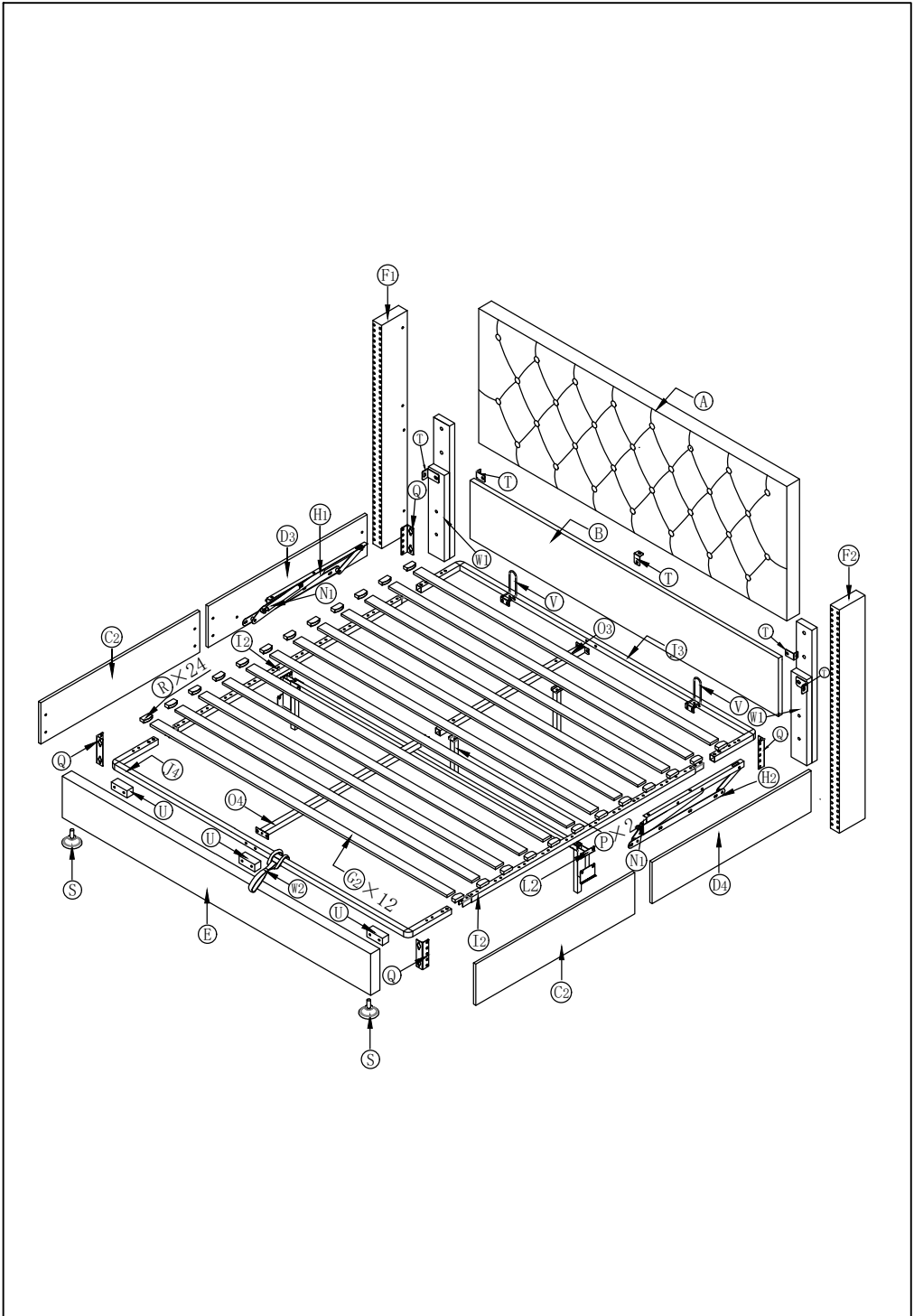


Note:

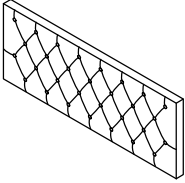
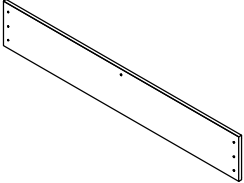
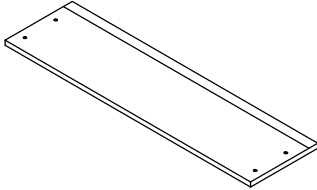
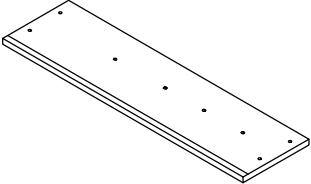
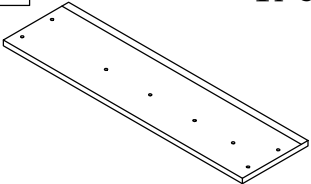
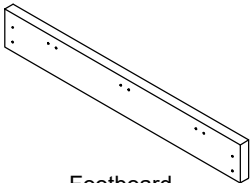
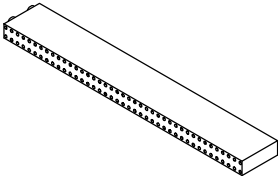
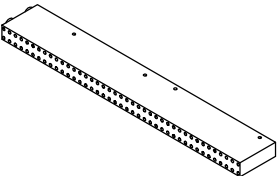
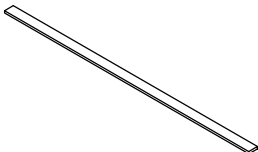
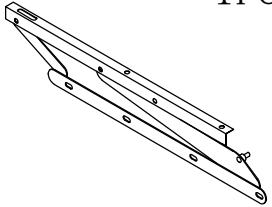
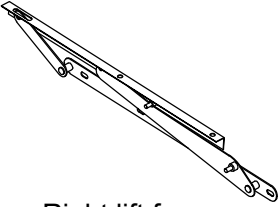
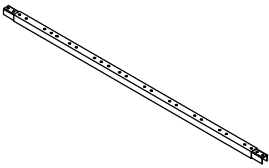
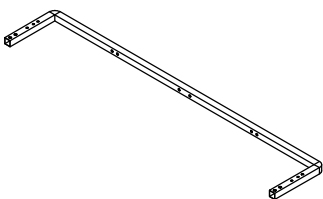
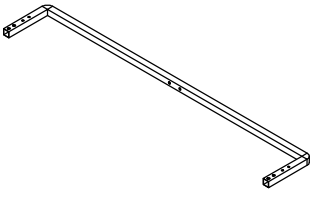
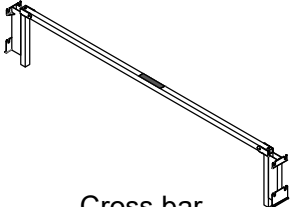
1. Should be assembled on flat ground to keep balance.
2. Before completing the installation, do not tighten the screws.



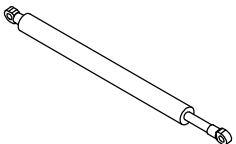
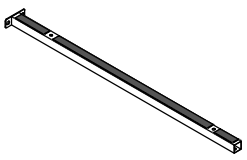
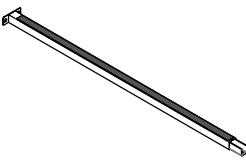
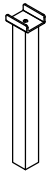
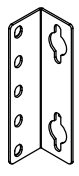
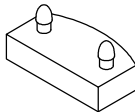
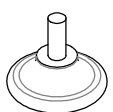
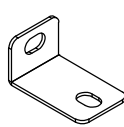
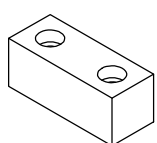
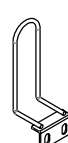


For easier and better assembly, 2 or more adults are required.



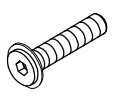
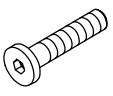
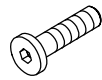
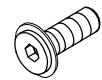
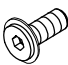



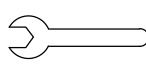
Part list

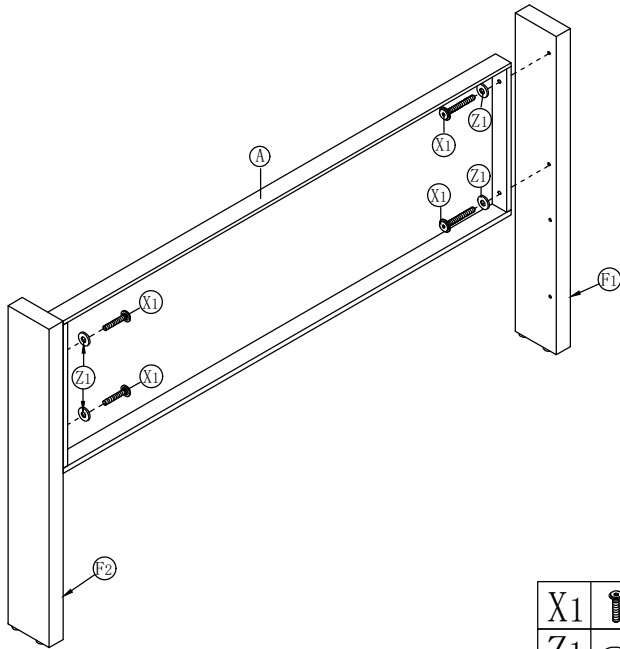
A 1PC  Top headboard	B 1PC  Bottom headboard	C2 2PCS  Rear bed side
D3 1PC  Left front bed side	D4 1PC  Right front bed side	E 1PC  Footboard
F1 1PC  Left wing	F2 1PC  Right wing	G2 12PCS  Slat
H1 1PC  Left lift frame	H2 1PC  Right lift frame	I2 2PCS  Slat
J3 1PC  Cross bar	J4 1PC  Cross bar	L2 1PC  Cross bar

Part list

N1	2PCS	03	1PC	04	1PC				
									
Hydraulic rod		Front Middle support bar		Rear middle support bar					
P	2PCS	Q	4PCS	R	24PCS	S	2PCS		
									
Support leg		Connector				Leg			
T	5PCS	U	3PCS	V	2PCS	W1	2PCS	W2	1PC
									
Connector									

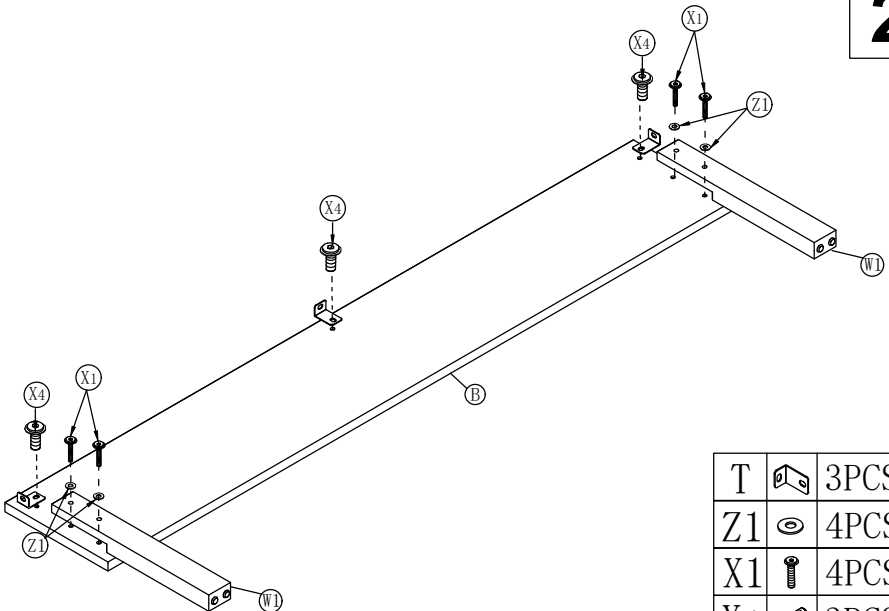
Hardware list

X1	14PCS	X2	10PCS	X3	8PCS	X4	17PCS		
									
M8*50mm		M8*45mm		M8*30mm		M8*25mm			
X5	35PCS	Y	10PCS	Z1	8PCS	Z2	1PC	Z3	1PC
									
M8*18mm		M8		∅22*∅8.5		M8 Spanner		M8 Spanner	





1

Back side

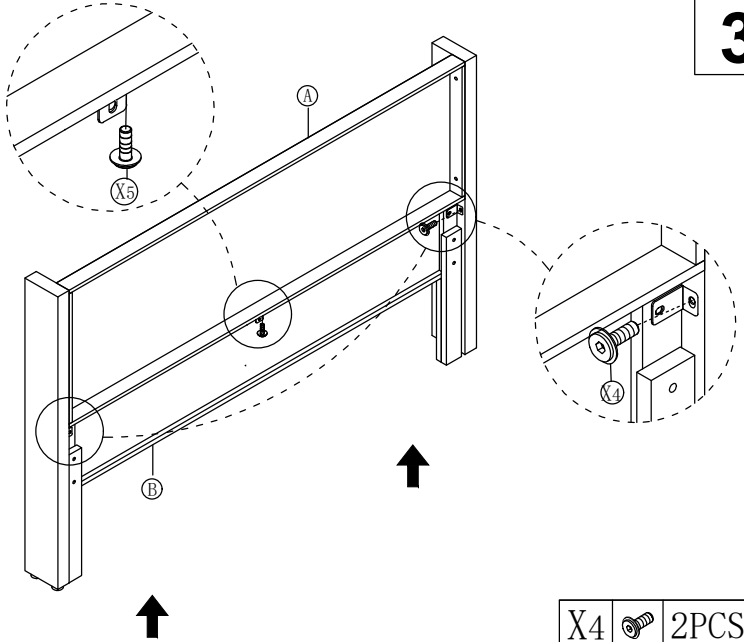
X1		4PCS
Z1		4PCS

2



Back side

T		3PCS
Z1		4PCS
X1		4PCS
X4		3PCS

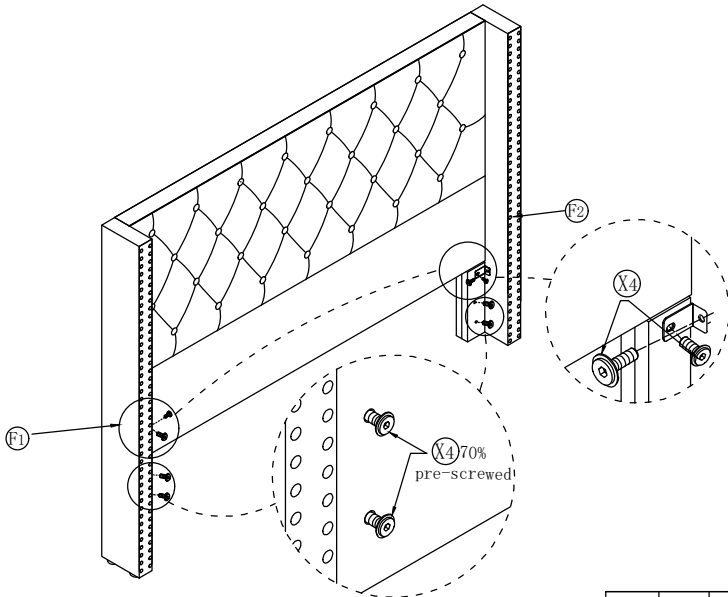
3




Back side

X4		2PCS
X5		1PC

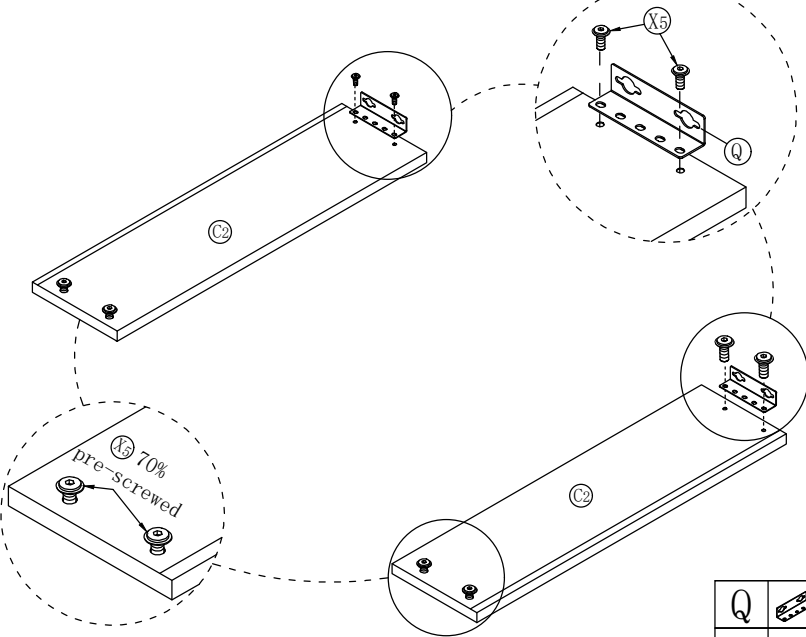
4



Loosen but don't remove the pre-installed screws.

X4		8PCS
----	---	------

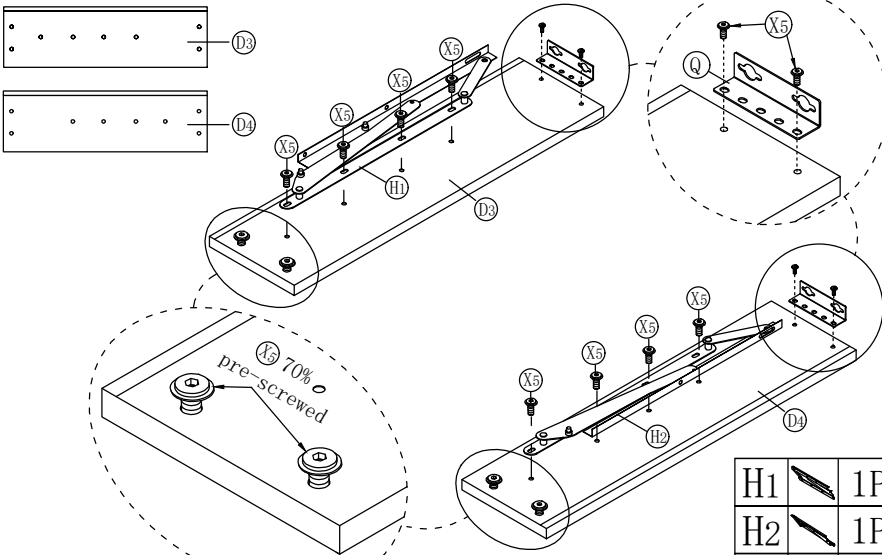
5



Loosen but don't remove the pre-installed screws.

Q		2PCS
X5		8PCS

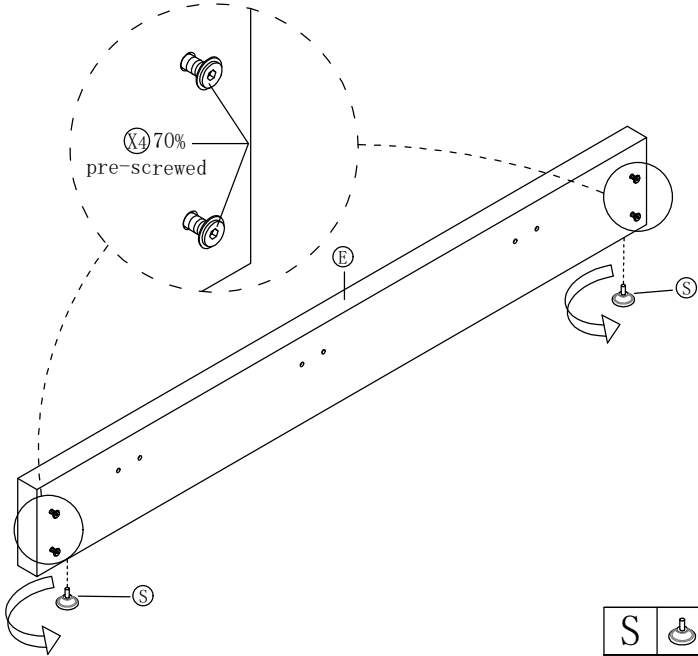
6





Loosen but don't remove the pre-installed screws.

H1		1PC
H2		1PC
Q		2PCS
X5		16PCS

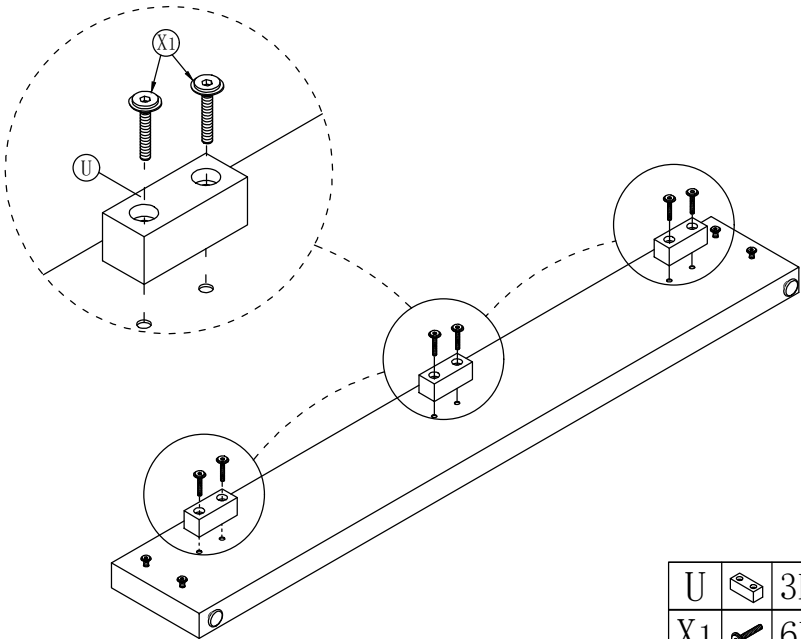
7



Loosen but don't remove the pre-installed screws.

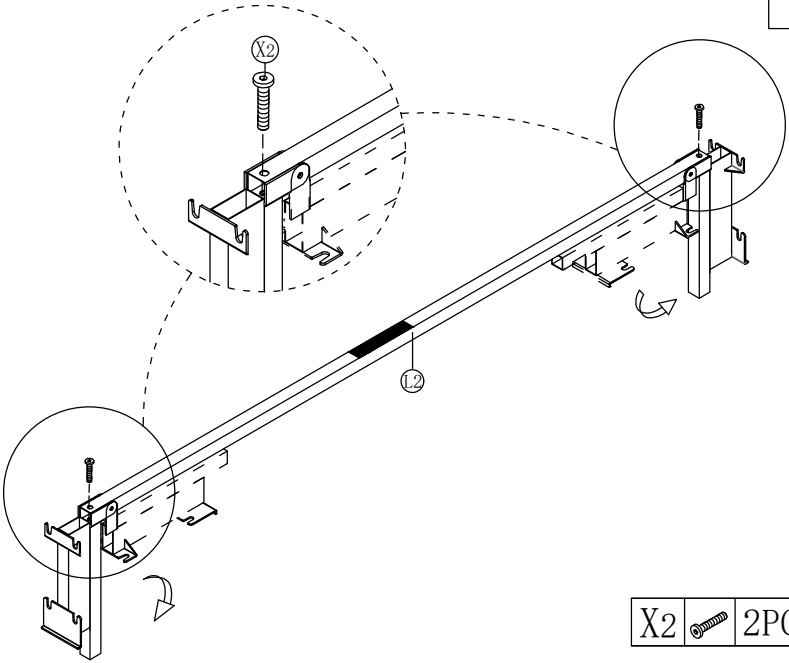
S		2PCS
X4		4PCS

8



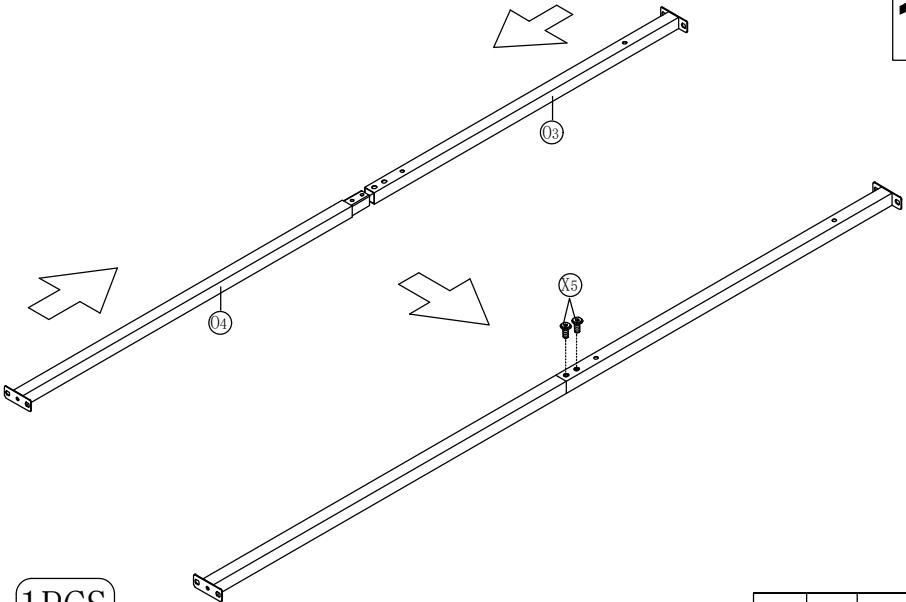
U		3PCS
X1		6PCS

9



X2  2PCS

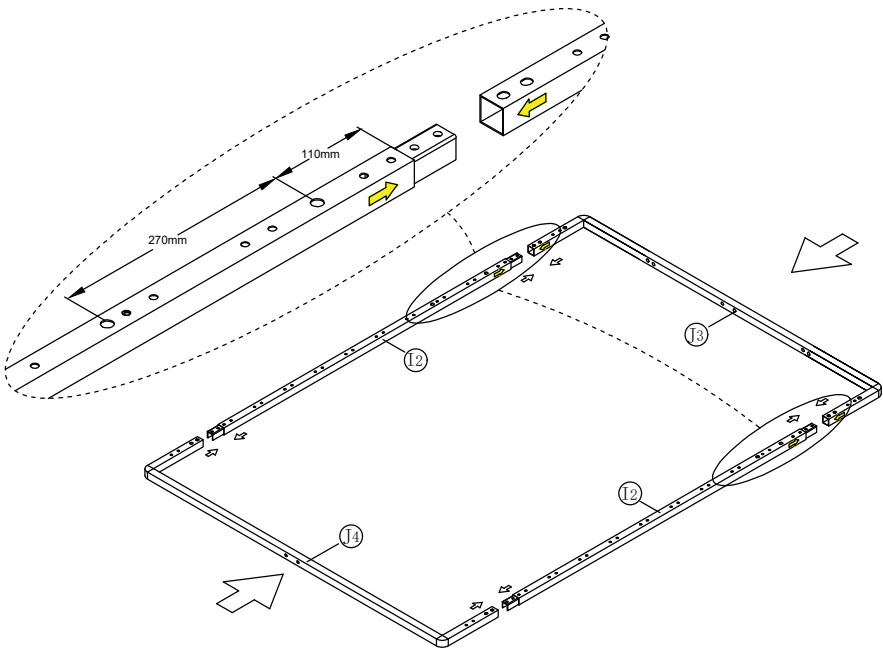
10



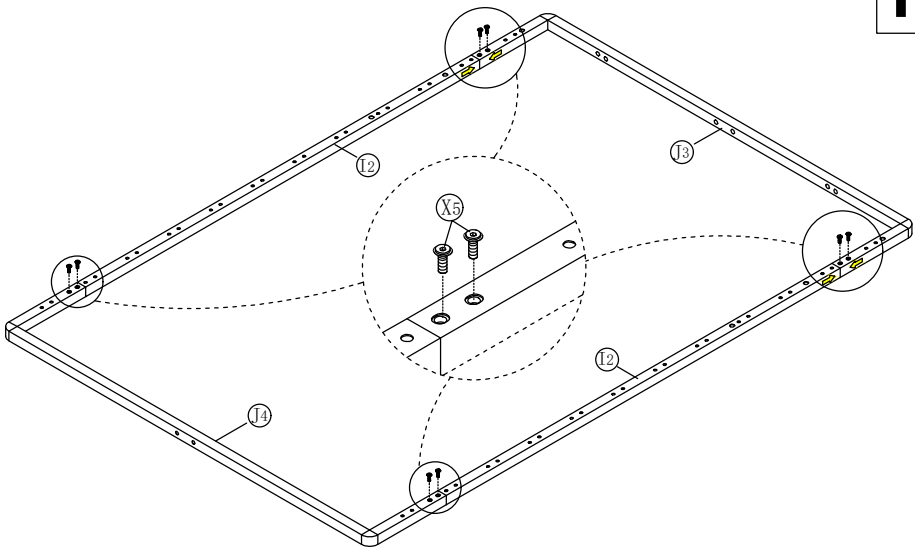
1PCS

X5  2PCS

11

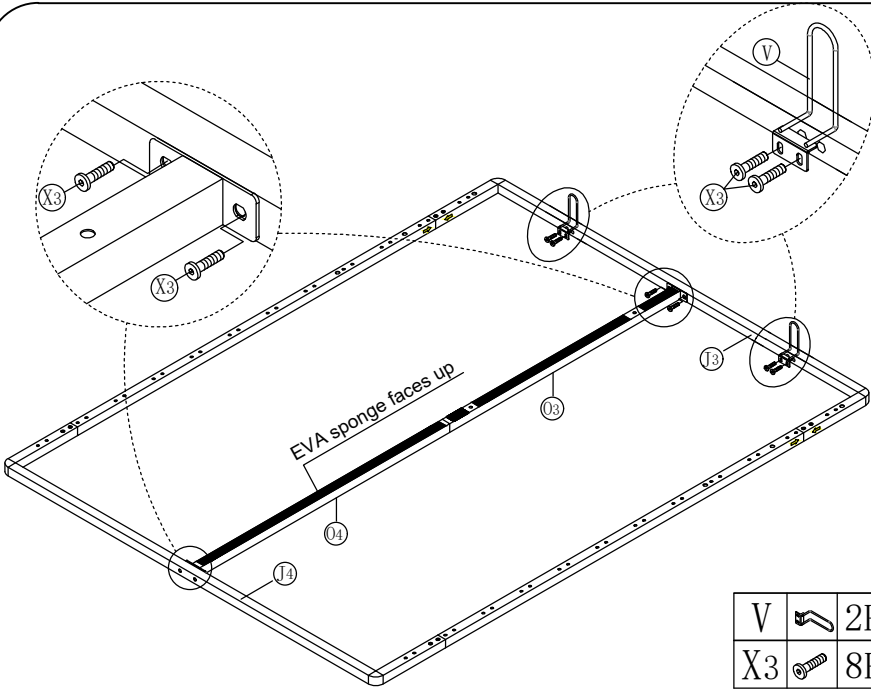


12

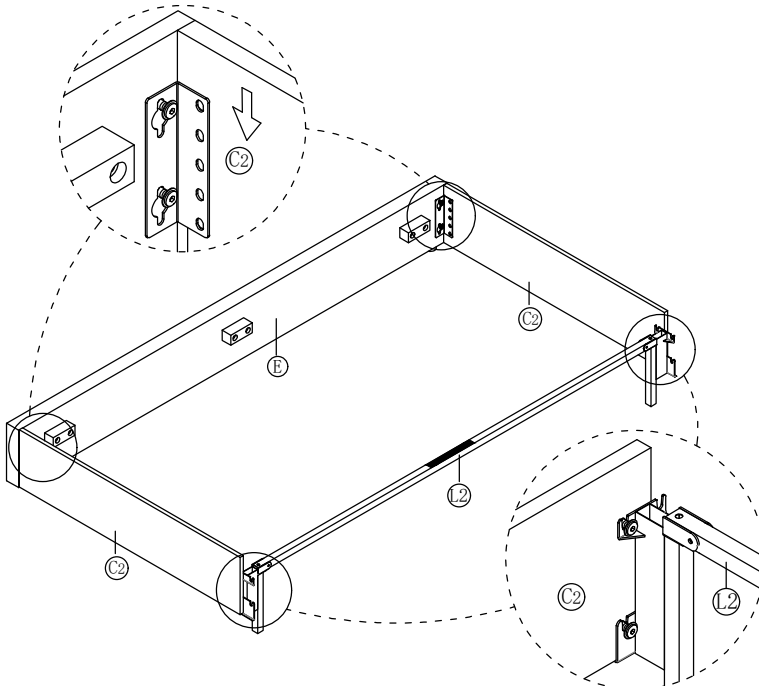


X5		8PCS
----	---	------

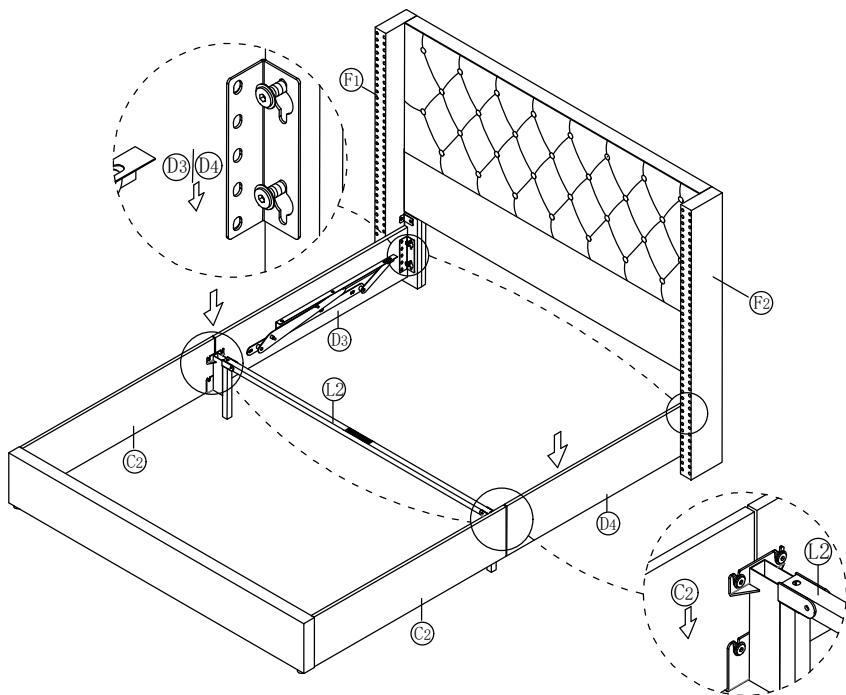
13



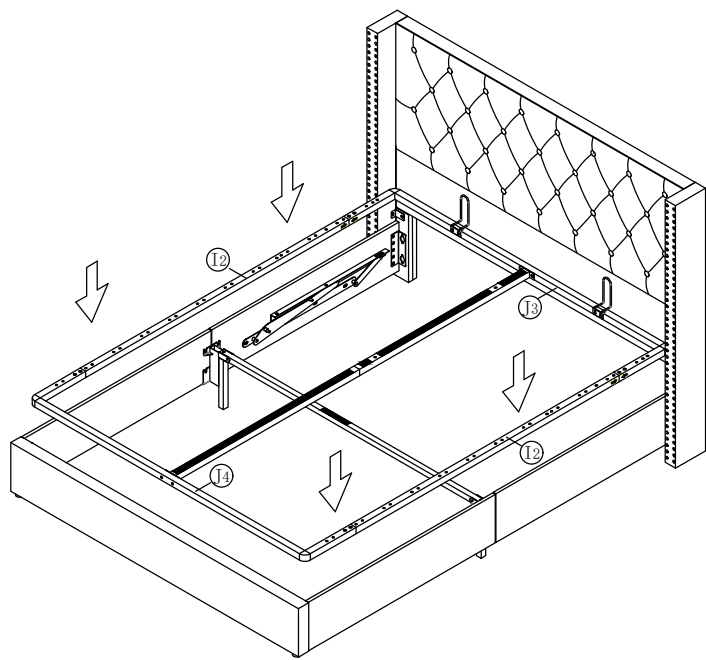
14



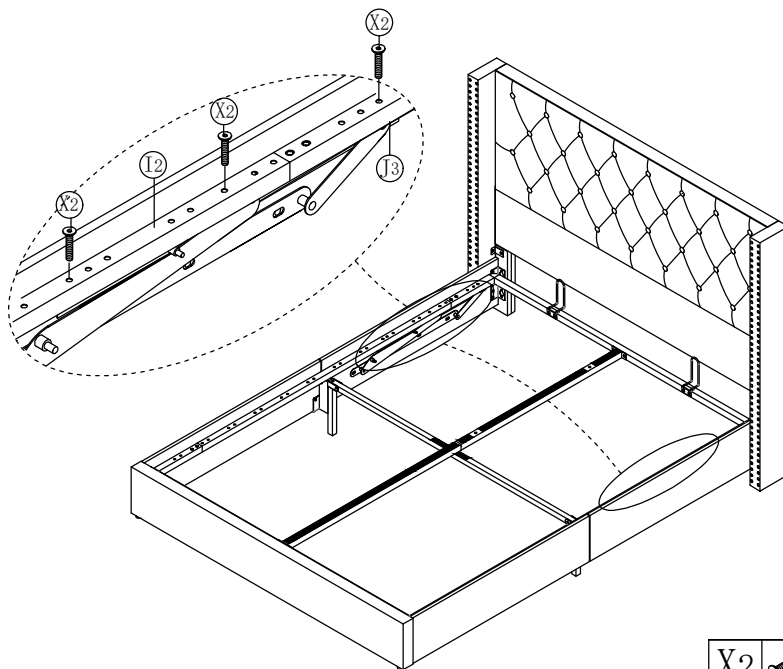
15



16

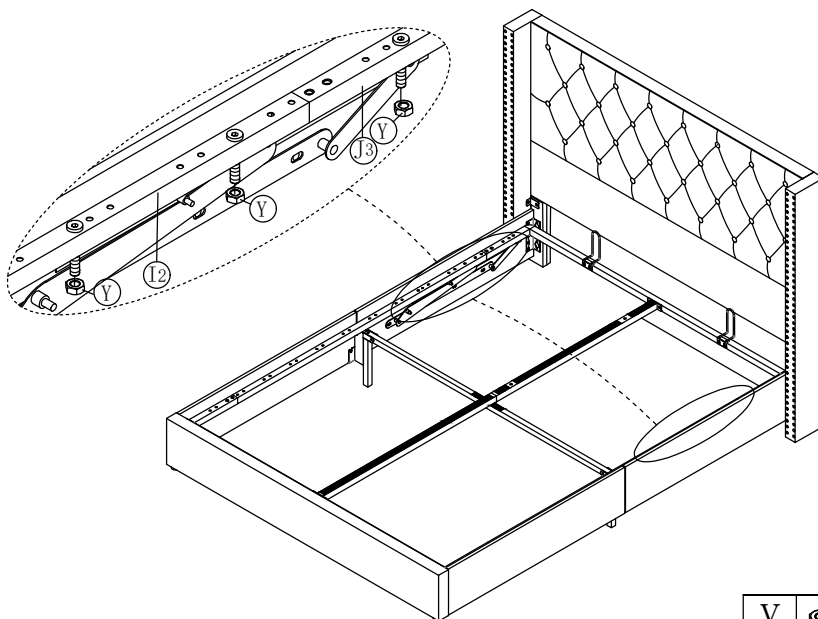



17



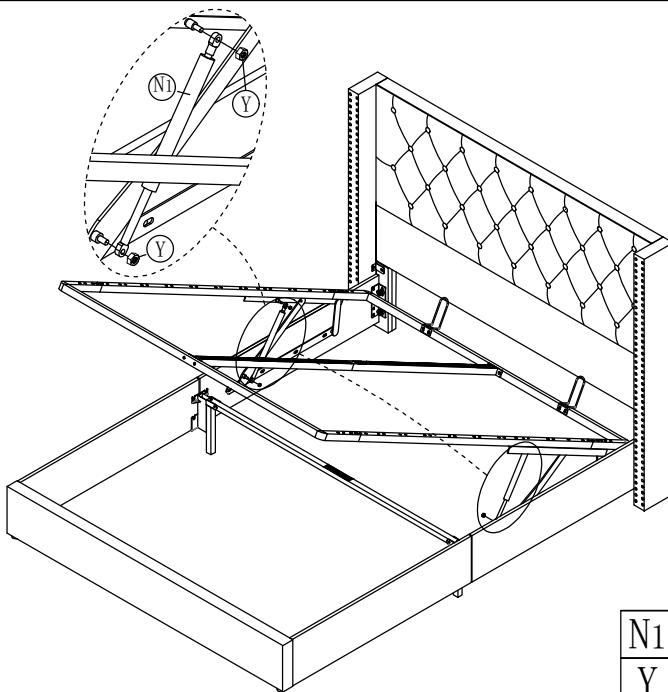
X2  6PCS



18



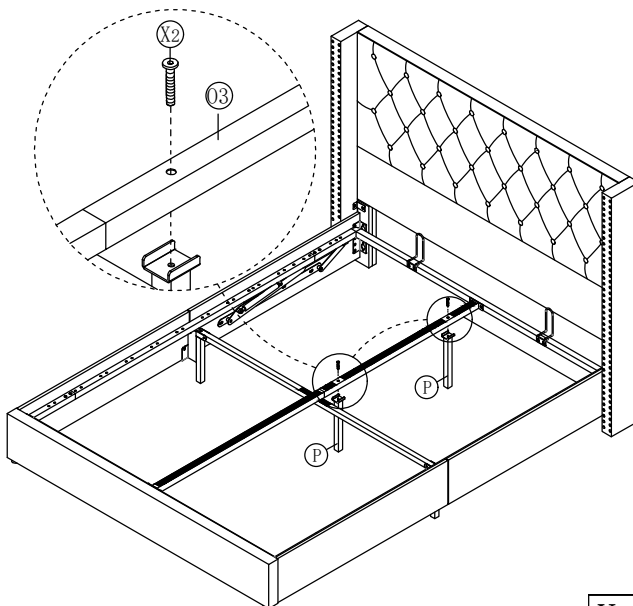
Y  6PCS

19



N1		2PCS
Y		4PCS

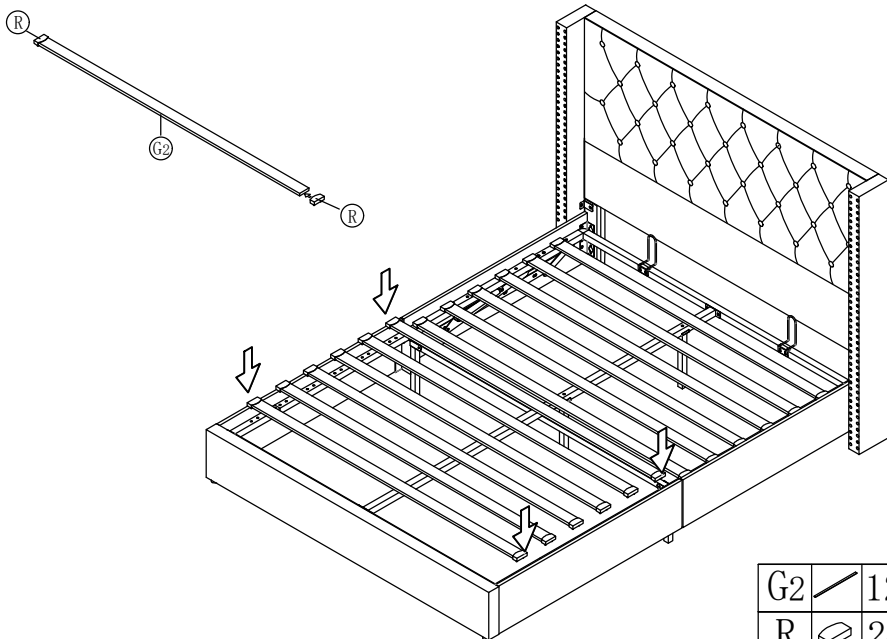
20





X2		2PCS
----	---	------

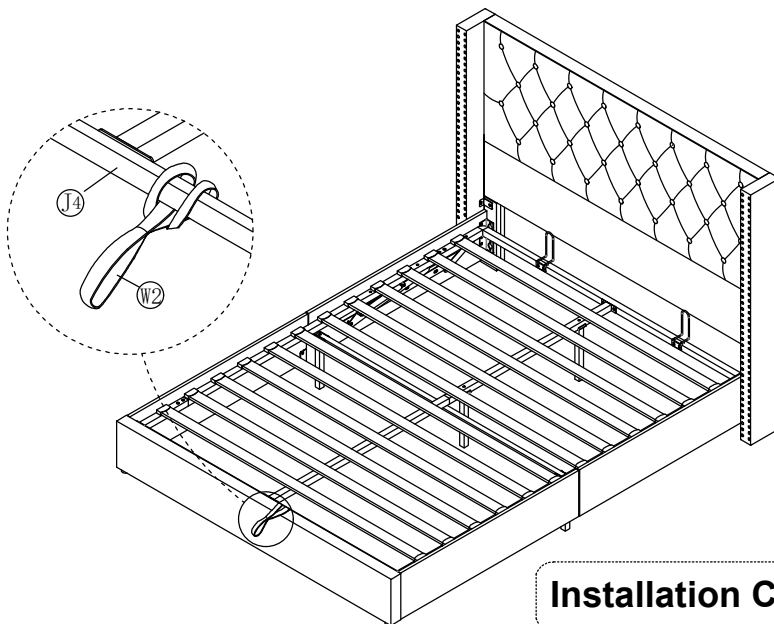
Lock all the screws.

21



G2		12PCS
R		24PCS

22



Installation Complete