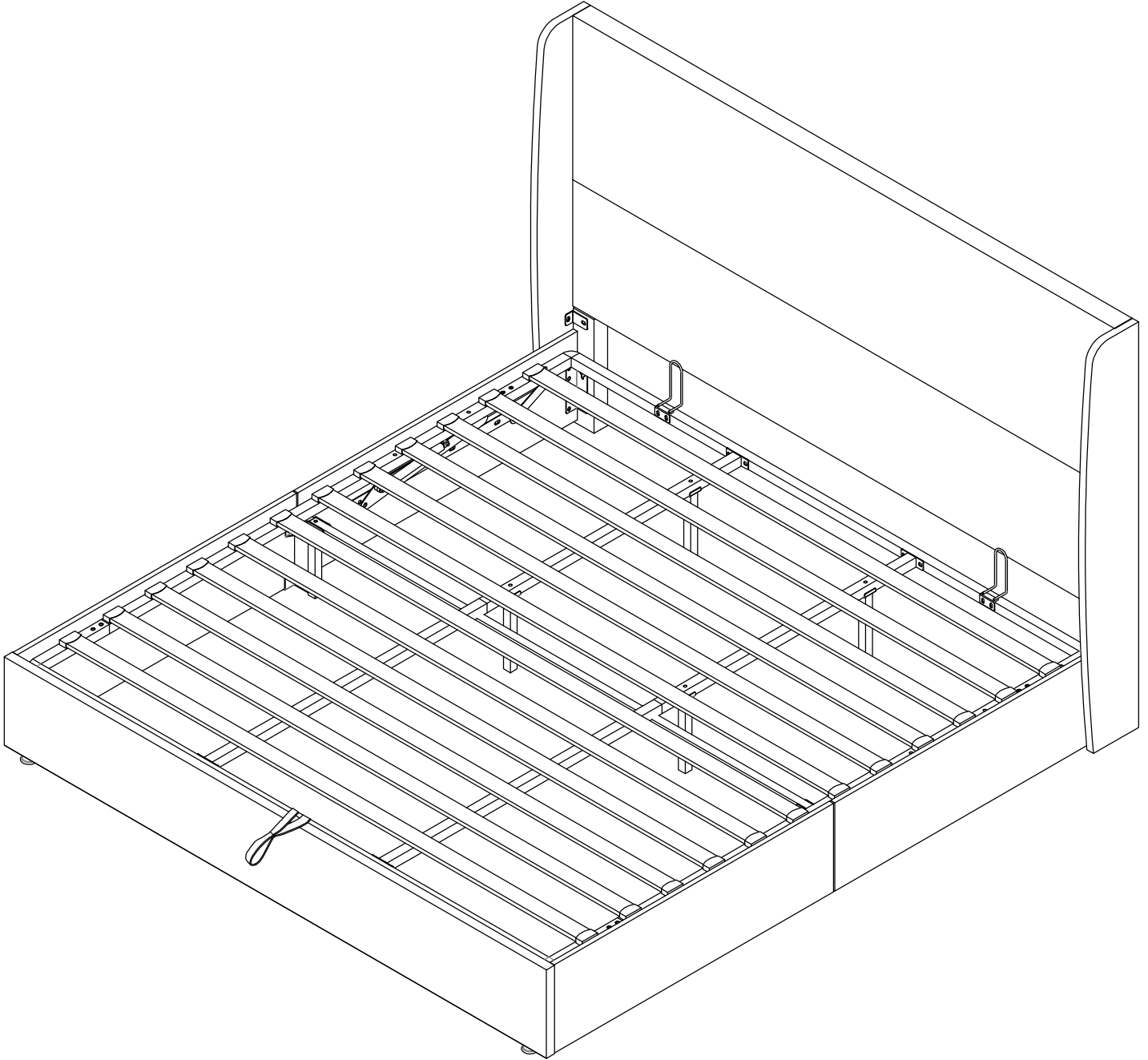


# Upholstered Platform Bed with Tufted Wingback Headboard.

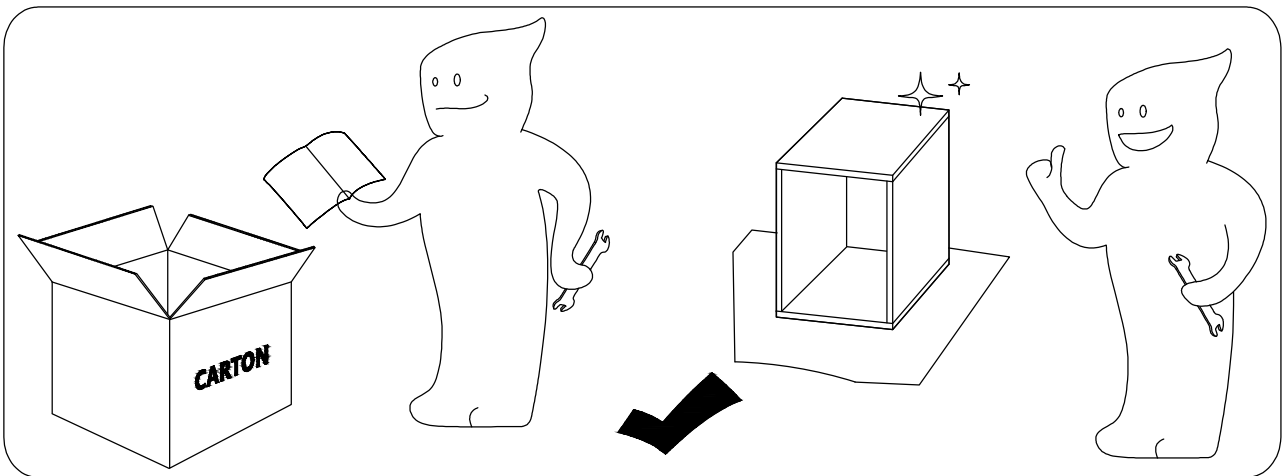
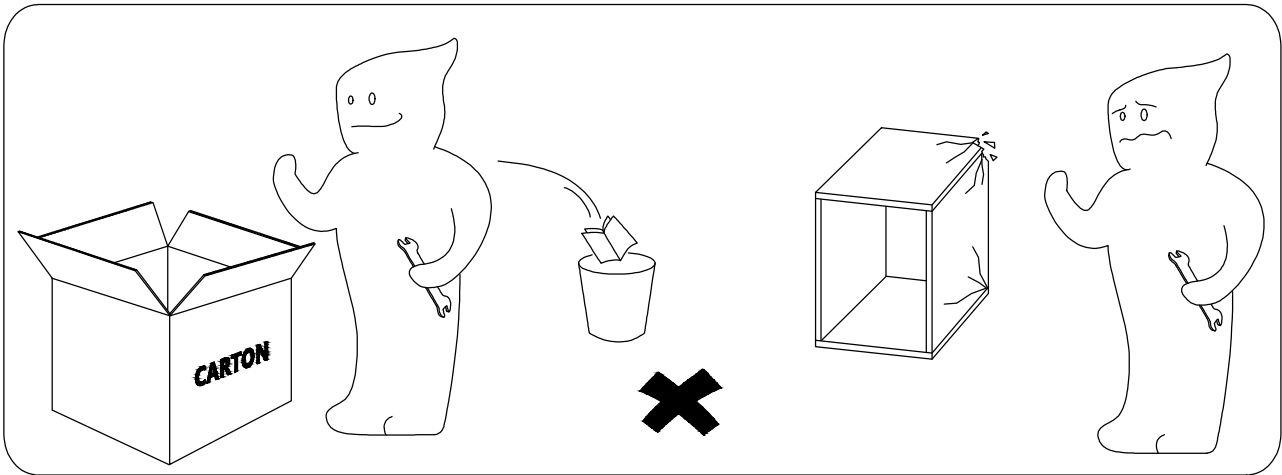


Dear Customers,

Thank you for purchasing our product. Please read this instruction manual carefully after receiving this product. It will help you assemble this product quickly, safely and correctly. You can keep this manual for future reference.

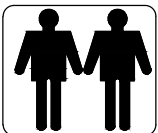
# ! IMPORTANT

Please follow the instruction manuals and use a pad to protect the product during your assembly.

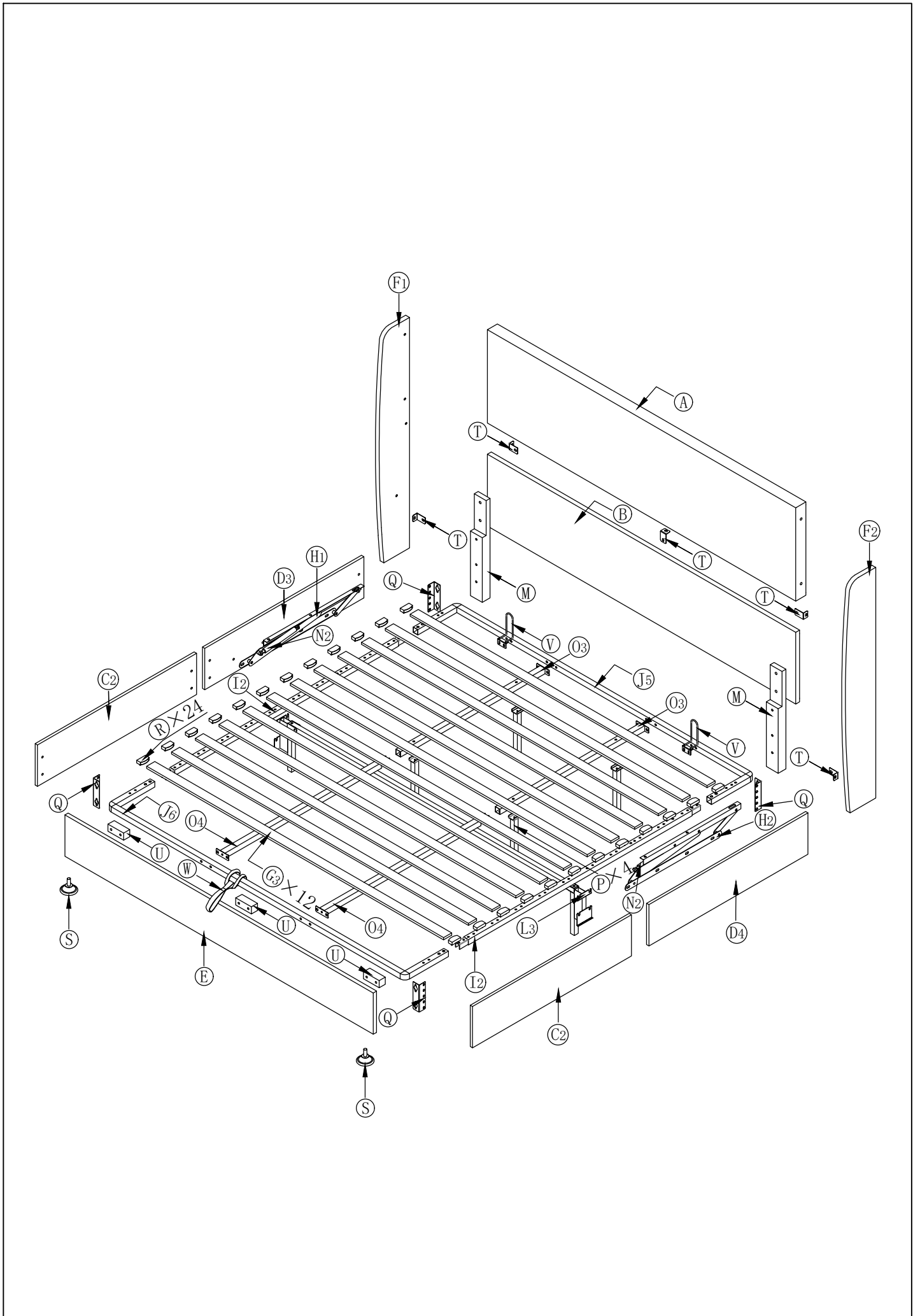


**Note:**

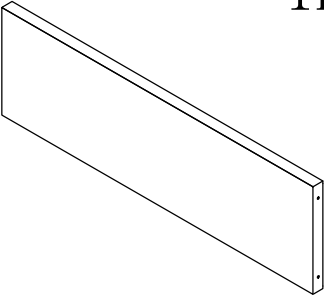
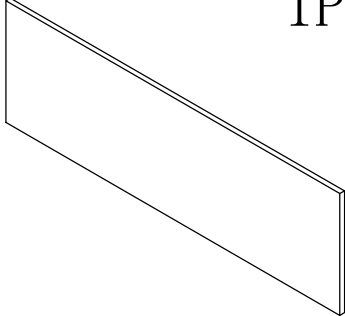
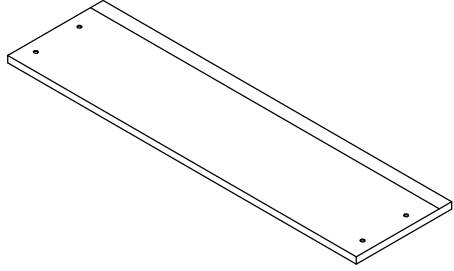
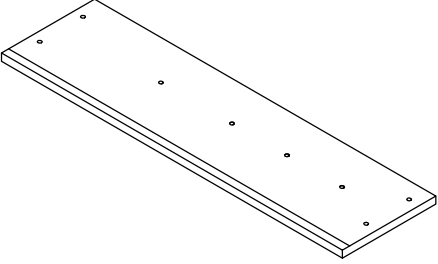
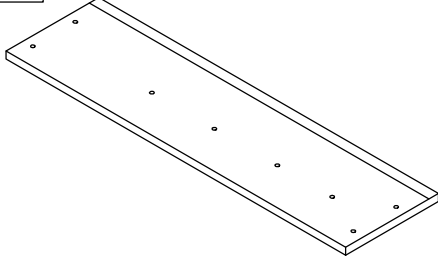
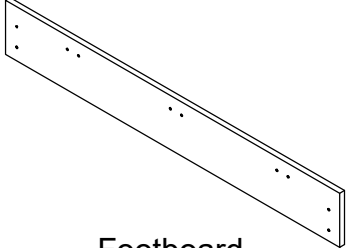
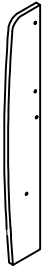

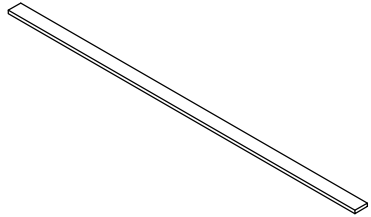
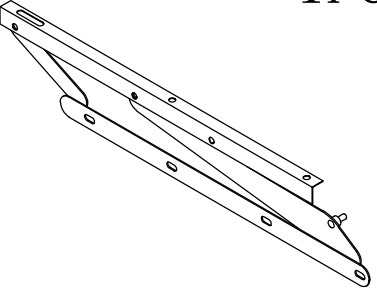
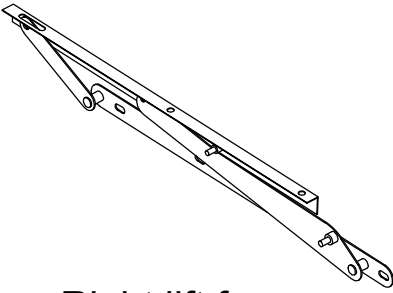
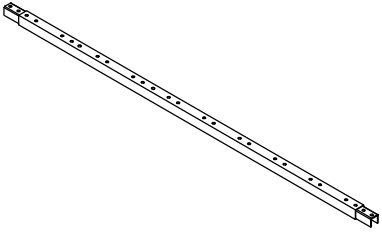
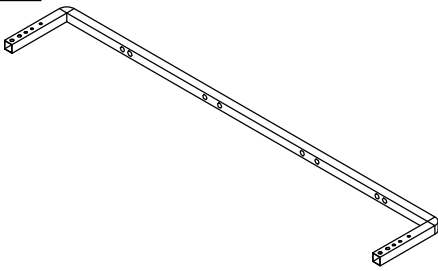
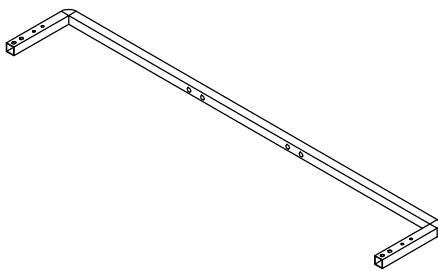
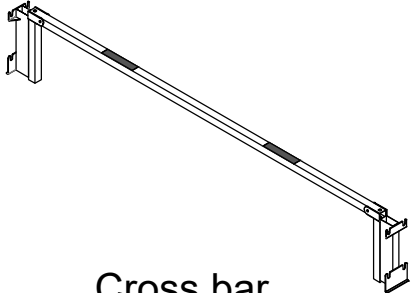
1. Should be assembled on flat ground to keep balance.
2. Before completing the installation, do not tighten the screws.



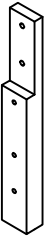
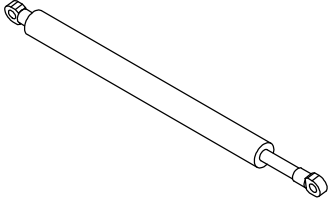
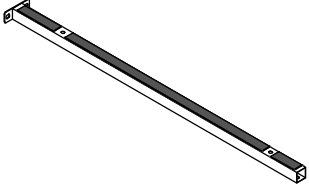
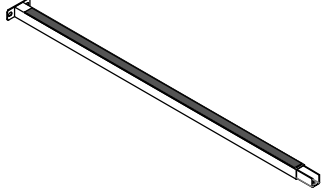
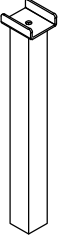
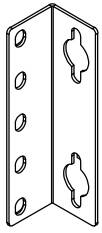
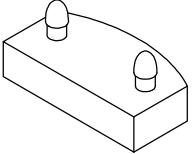
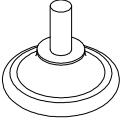
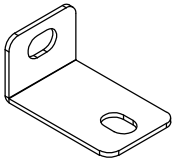
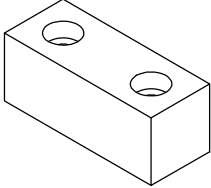
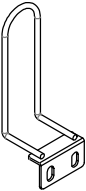

For easier and better assembly, 2 or more adults are required.



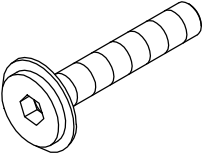
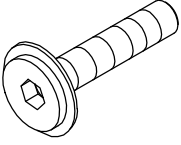
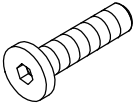
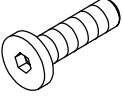
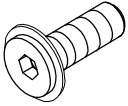
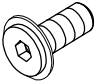
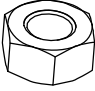
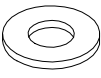

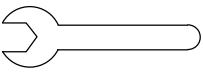
# Part list

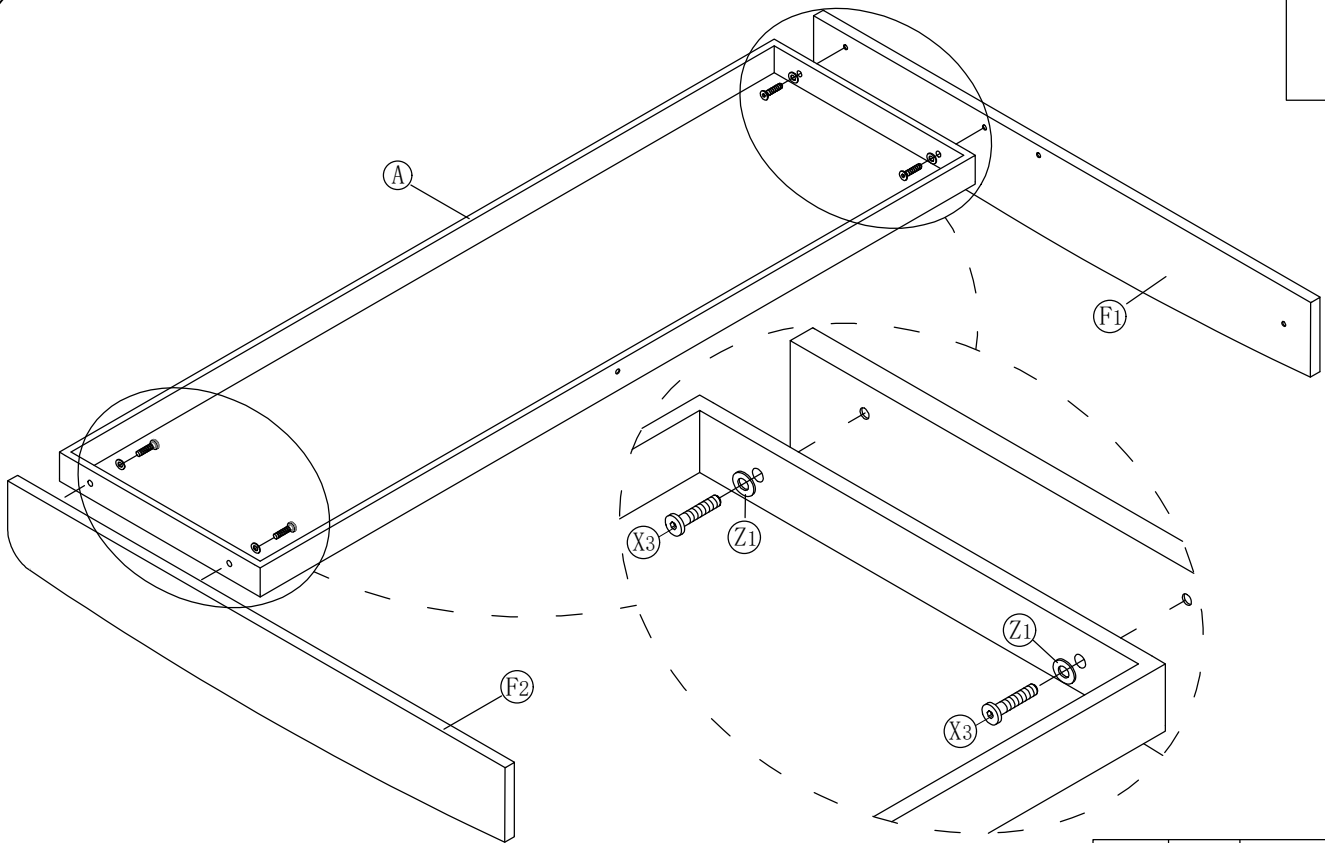
<p><b>A</b> 1PC</p>  <p>Top headboard</p>	<p><b>B</b> 1PC</p>  <p>Bottom headboard</p>	<p><b>C2</b> 2PCS</p>  <p>Rear bed side</p>
<p><b>D3</b> 1PC</p>  <p>Left front bed side</p>	<p><b>D4</b> 1PC</p>  <p>Right front bed side</p>	<p><b>E</b> 1PC</p>  <p>Footboard</p>
<p><b>F1</b> 1PC</p>  <p>Left wing</p>	<p><b>F2</b> 1PC</p>  <p>Right wing</p>	<p><b>G3</b> 12PCS</p>  <p>Slat</p>
<p><b>H1</b> 1PC</p>  <p>Left lift frame</p>	<p><b>H2</b> 1PC</p>  <p>Right lift frame</p>	<p><b>I2</b> 2PCS</p>  <p>Cross bar</p>
<p><b>J5</b> 1PC</p>  <p>Cross bar</p>	<p><b>J6</b> 1PC</p>  <p>Cross bar</p>	<p><b>L3</b> 1PC</p>  <p>Cross bar</p>



# Part list

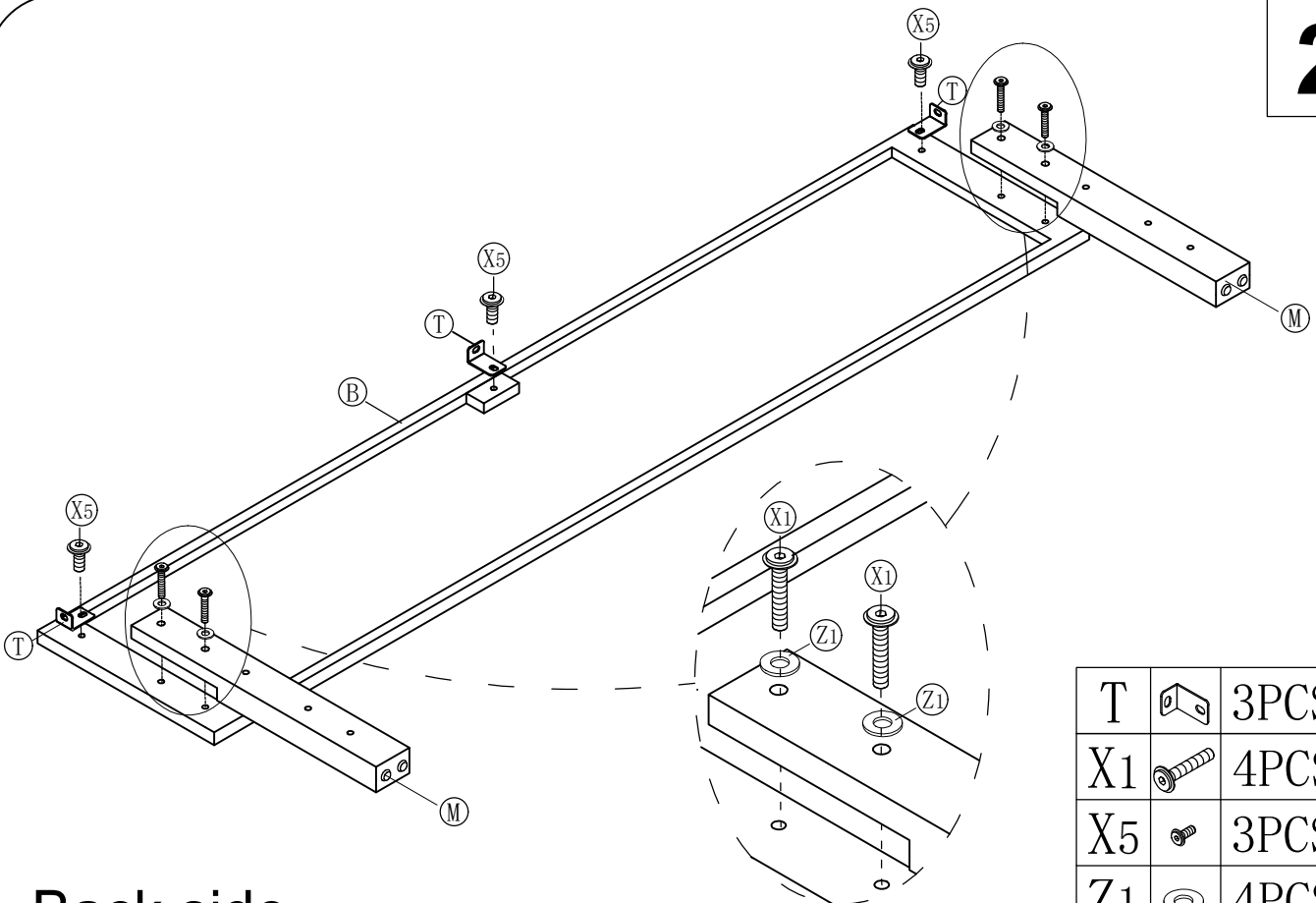
M	2PCS	N2	2PCS	O3	2PCS	O4	2PCS
			Hydraulic rod		Front Middle support bar		Rear middle support bar
P	4PCS	Q	4PCS	R	24PCS	S	2PCS
	Support leg		Connector				Leg
T	5PCS	U	3PCS	V	2PCS	W	1PC
	Connector						


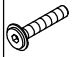


# Hardware list

X1	10PCS	X2	6PCS	X3	10PCS	X4	12PCS	X5	17PCS
	M8*50mm		M8*45mm		M8*40mm		M8*30mm		M8*25mm
X6	37PCS	Y	10PCS	Z1	8PCS	Z2	1PC	Z3	1PC
	M8*18mm		M8		∅22*∅8.5		M8 Spanner		M8 Spanner

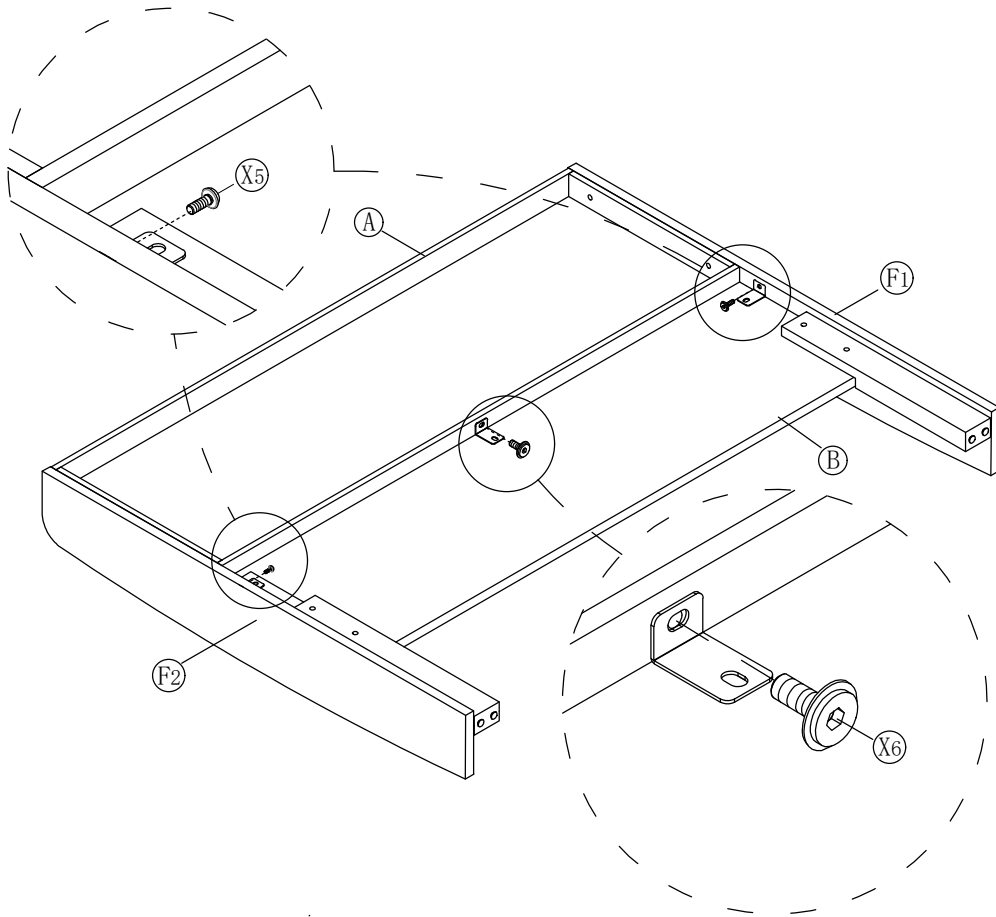
**1****Back side**

X3		4PCS
Z1		4PCS



**2****Back side**

T		3PCS
X1		4PCS
X5		3PCS
Z1		4PCS

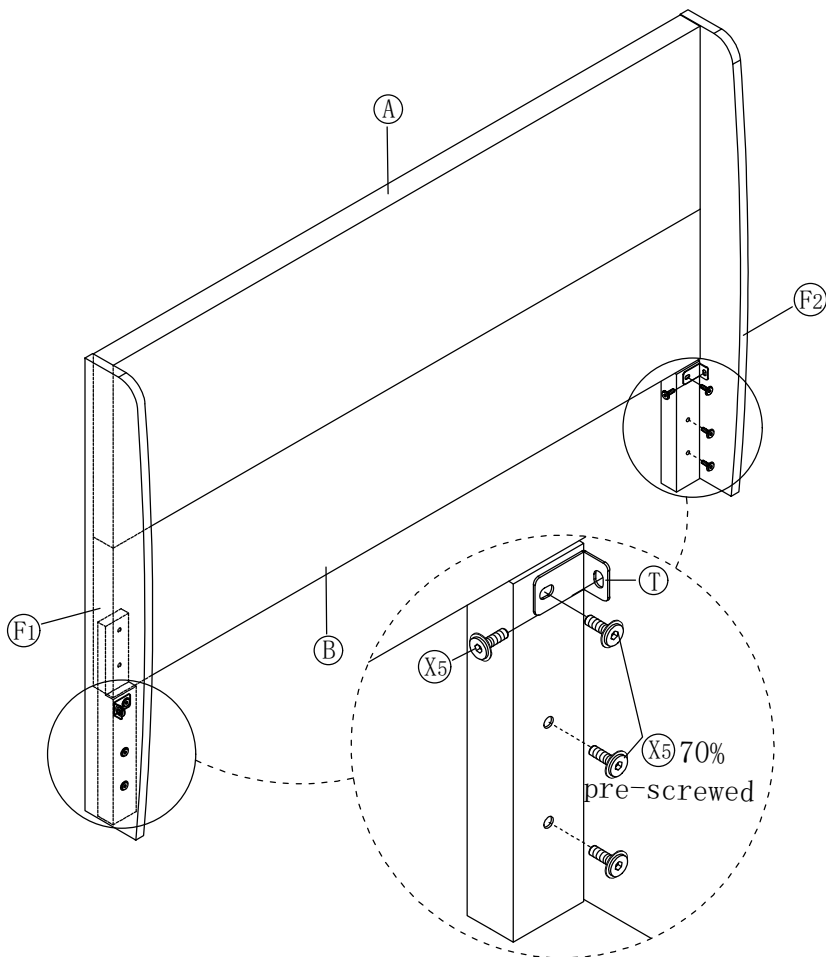
3



Back side

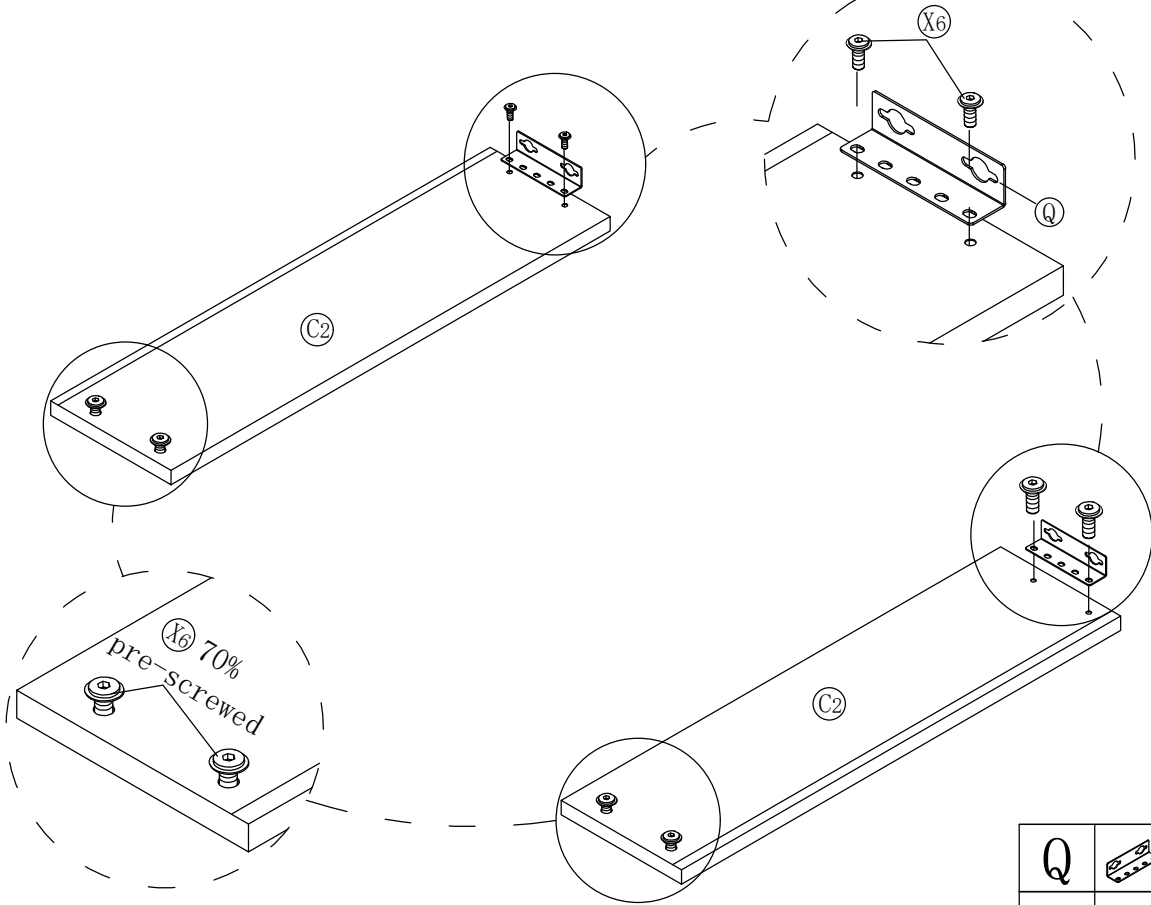
X5		2PCS
X6		1PC

4



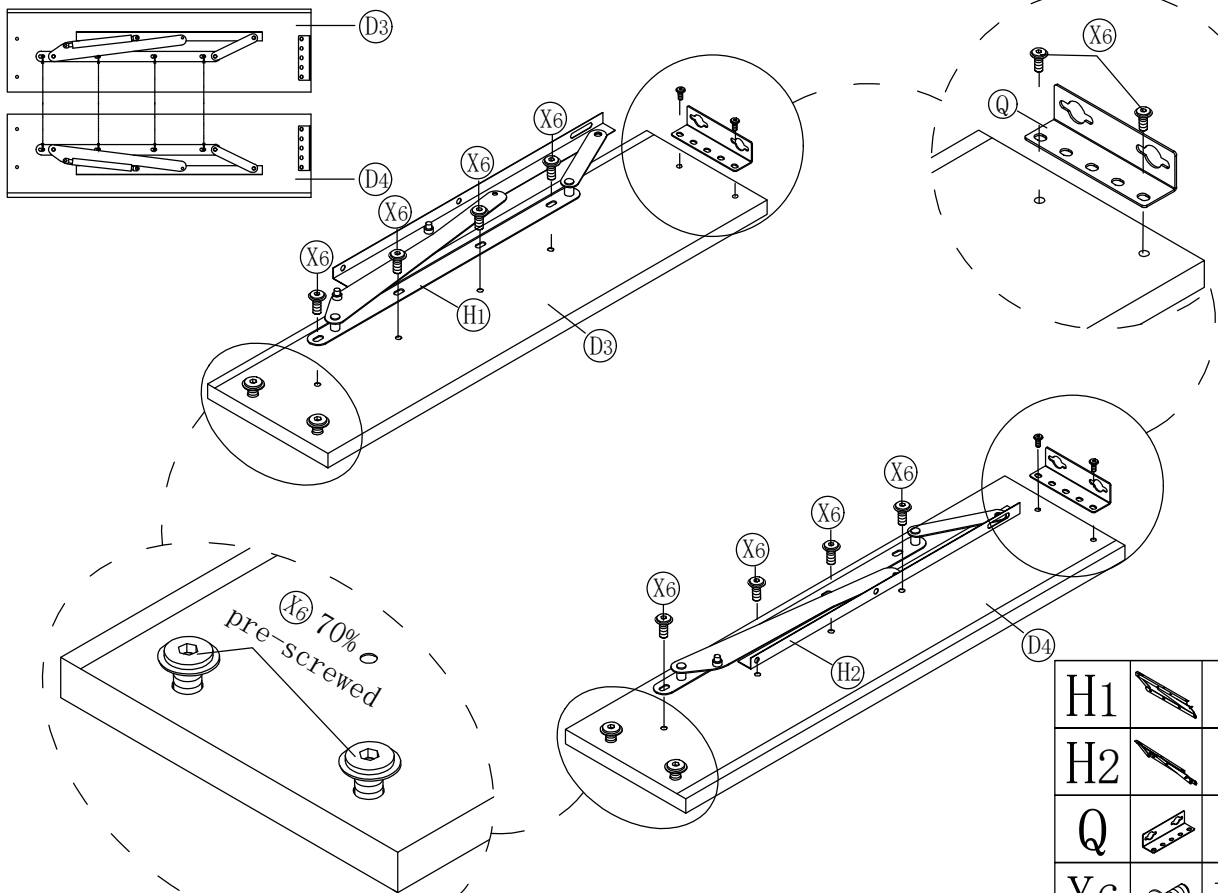
T		2PCS
X5		8PCS

5



Q		2PCS
X6		8PCS

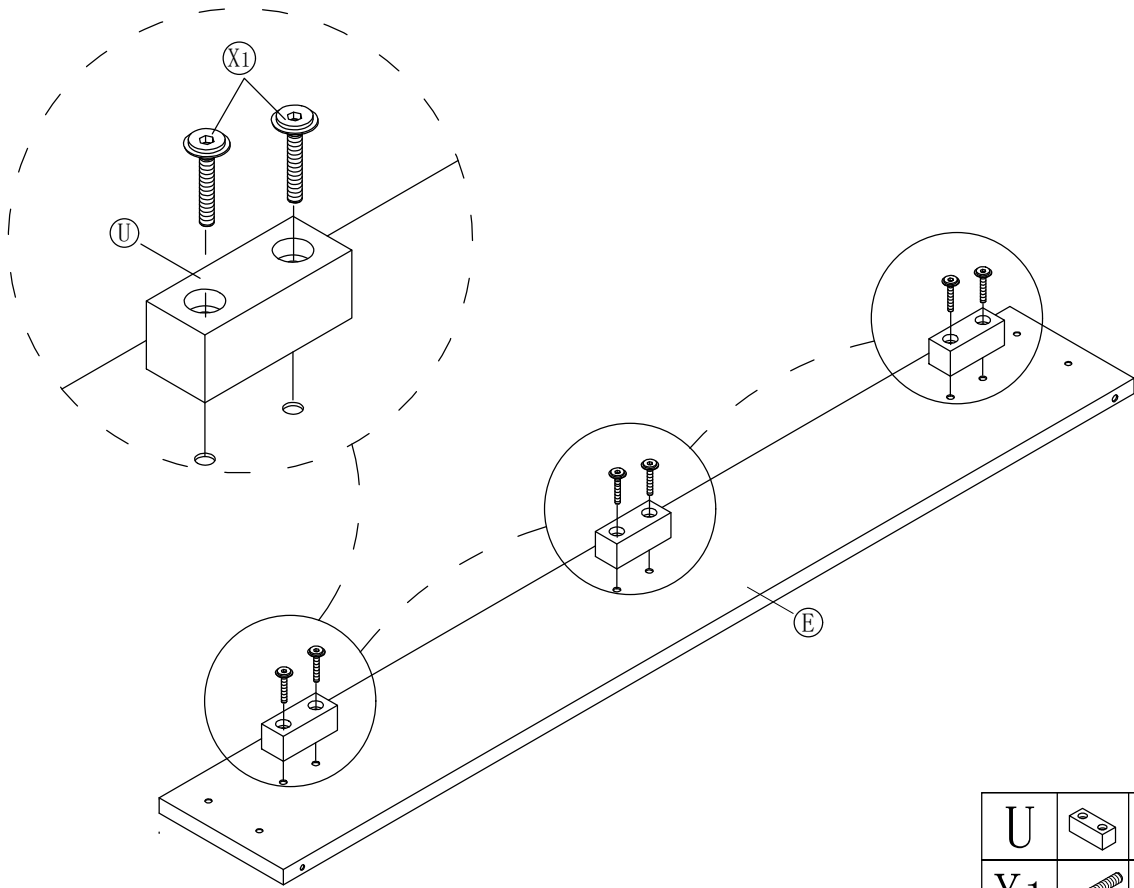
6

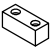



H1		1PC
H2		1PC
Q		2PCS
X6		16PCS

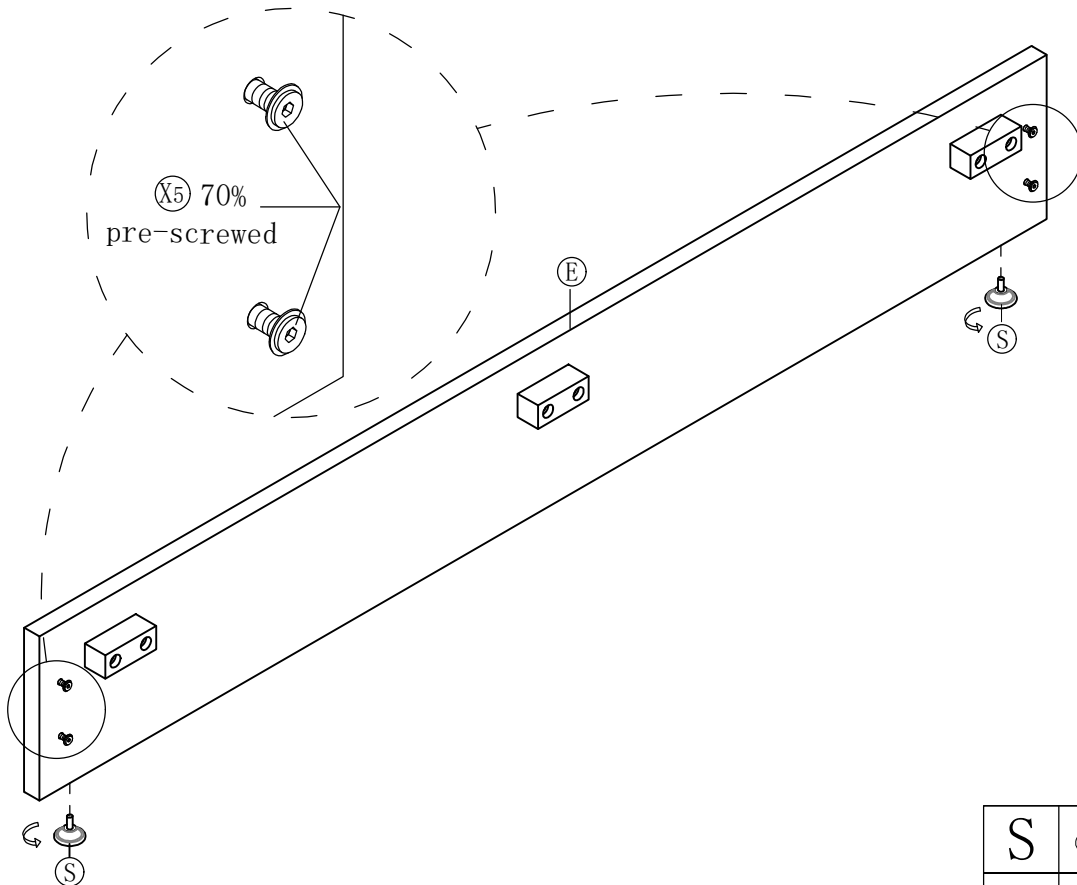




7



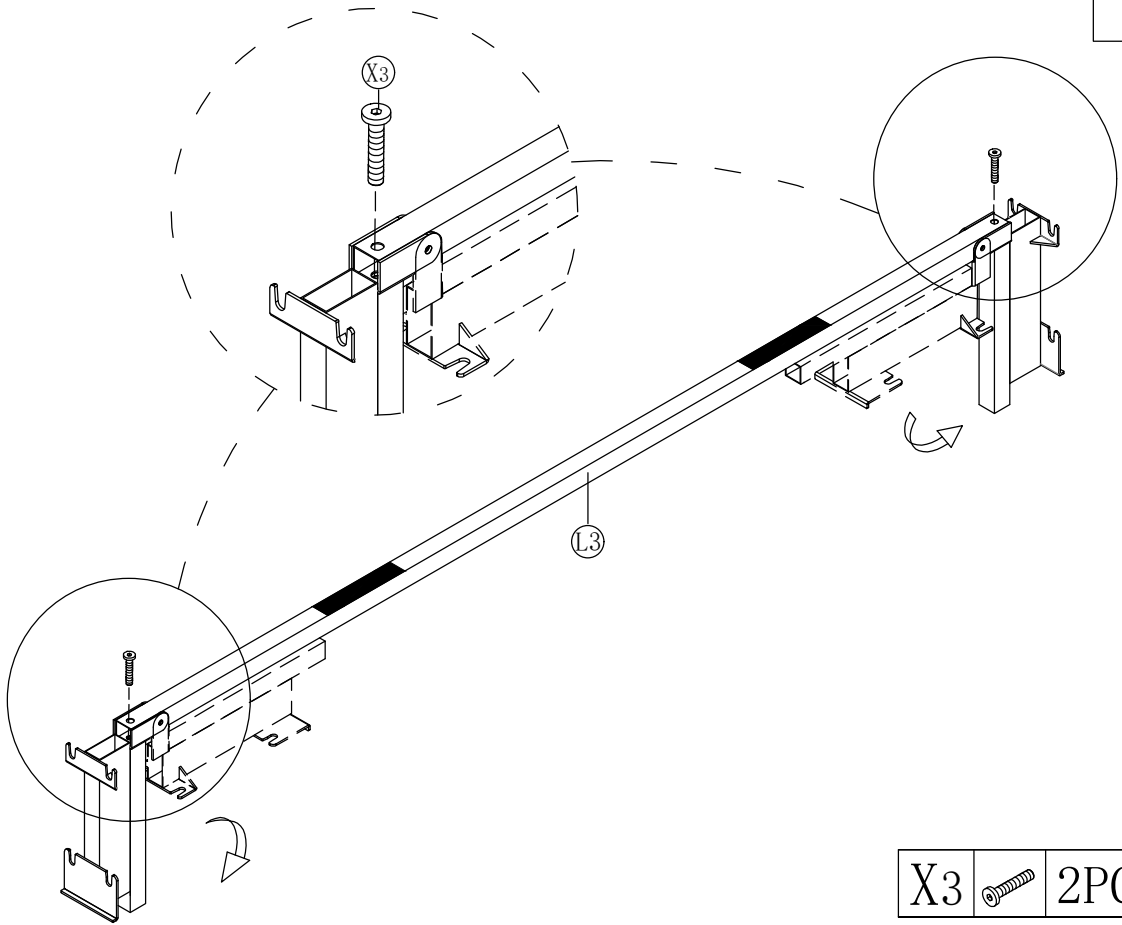
U		3PCS
X1		6PCS

8

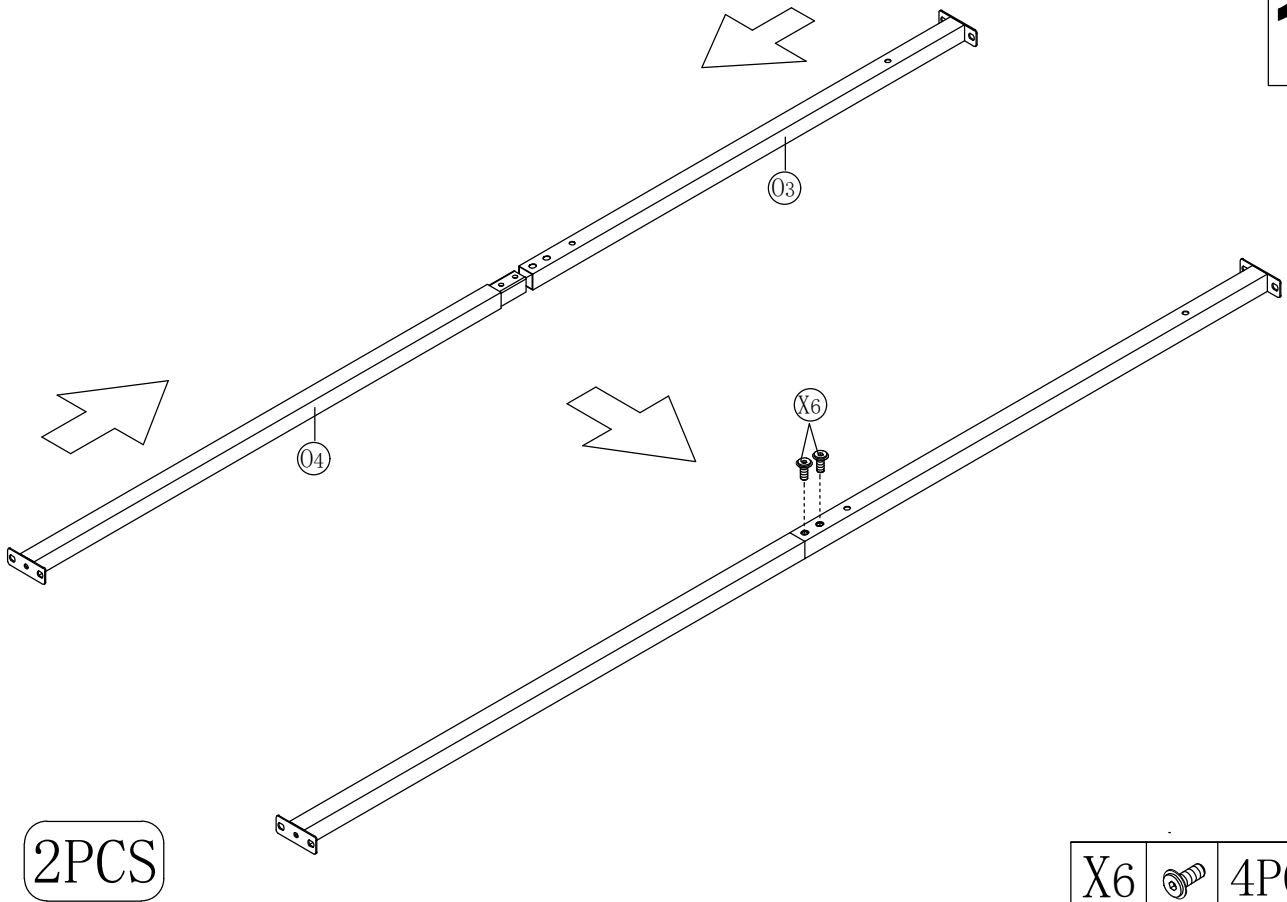


S		2PCS
X5		4PCS

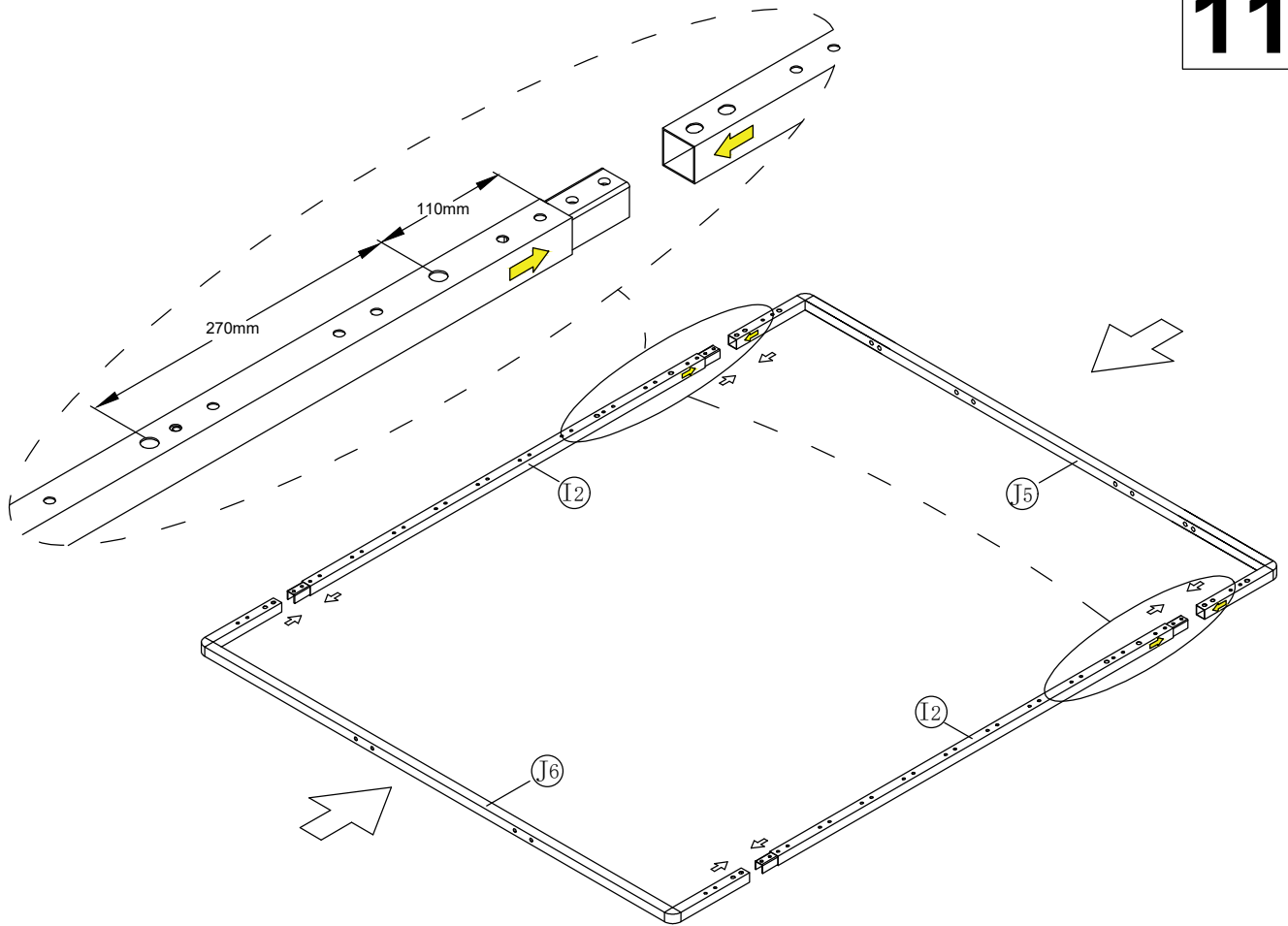
9



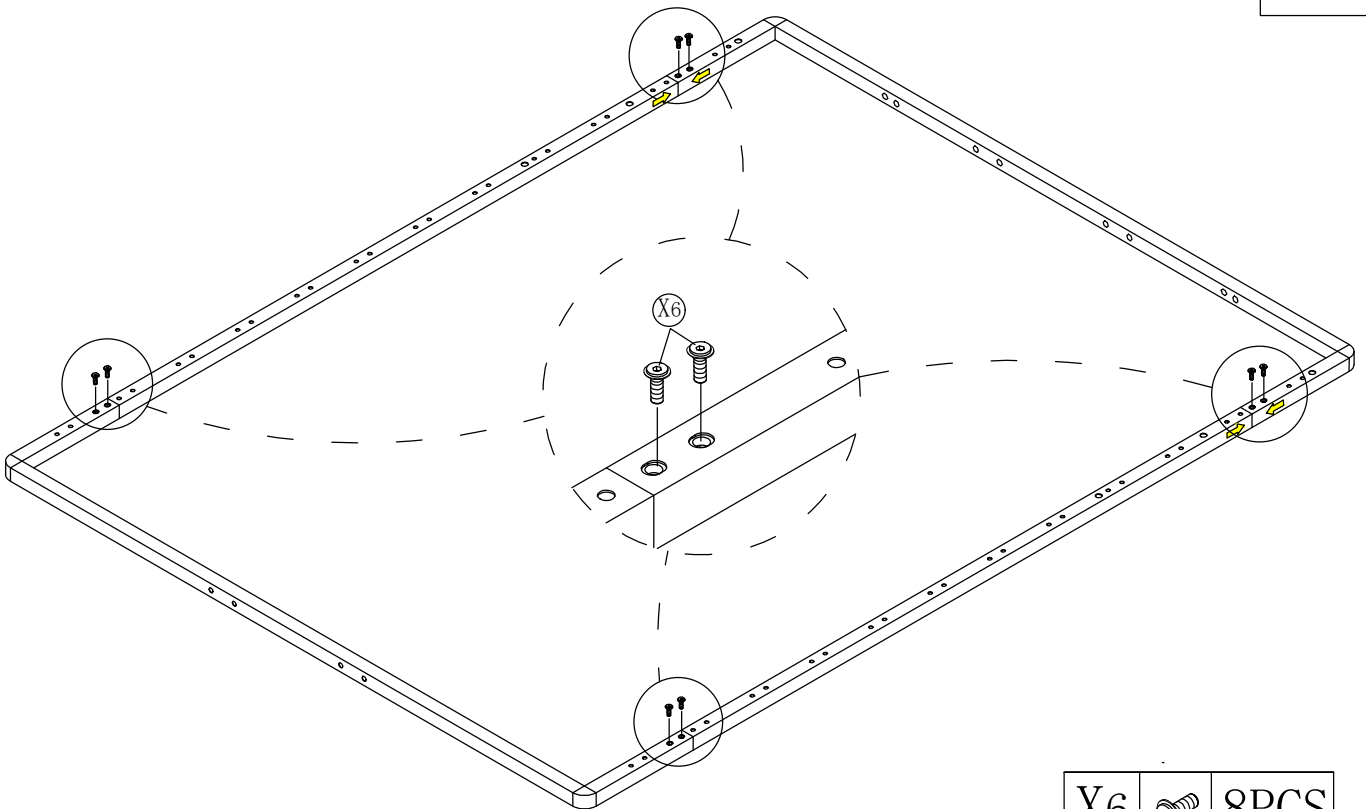
10



11

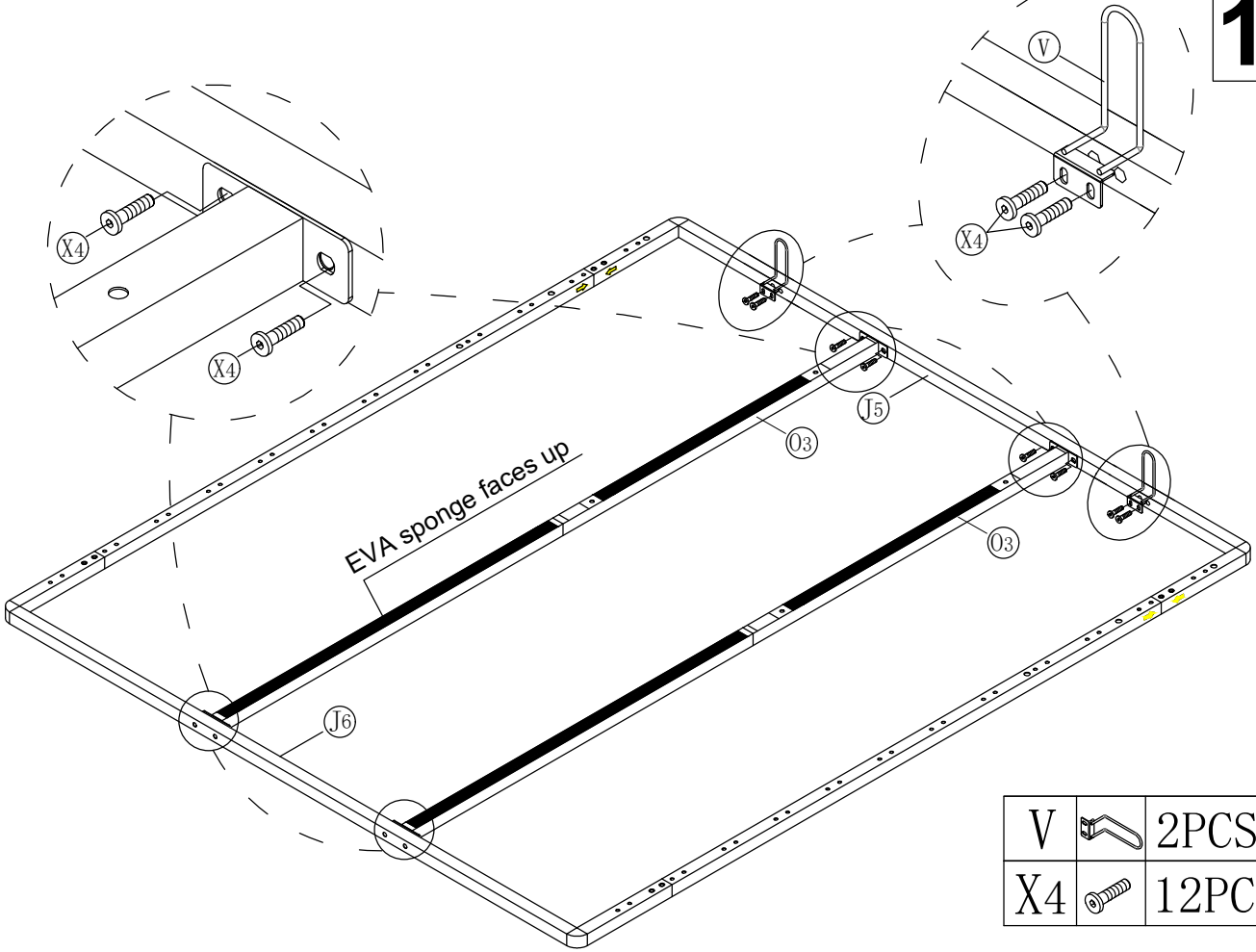


12

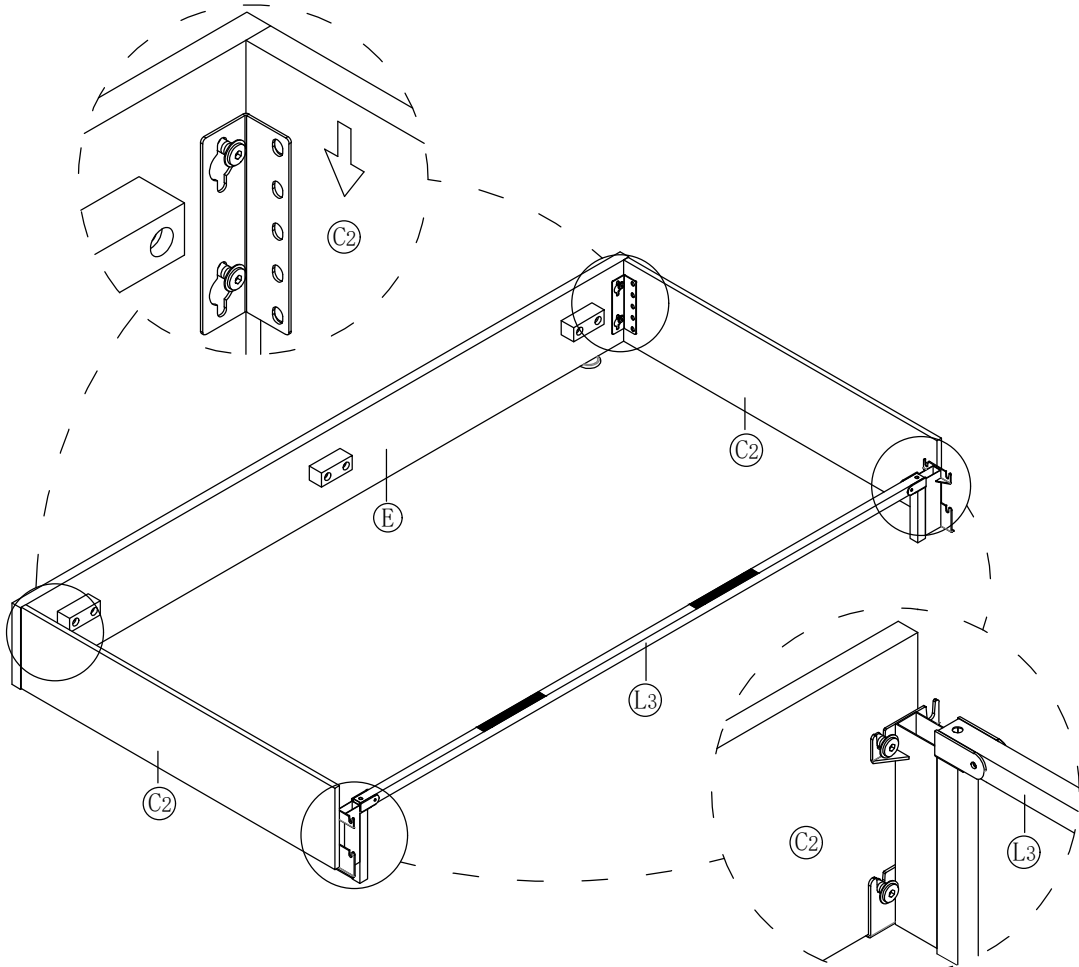


X6		8PCS
----	---	------

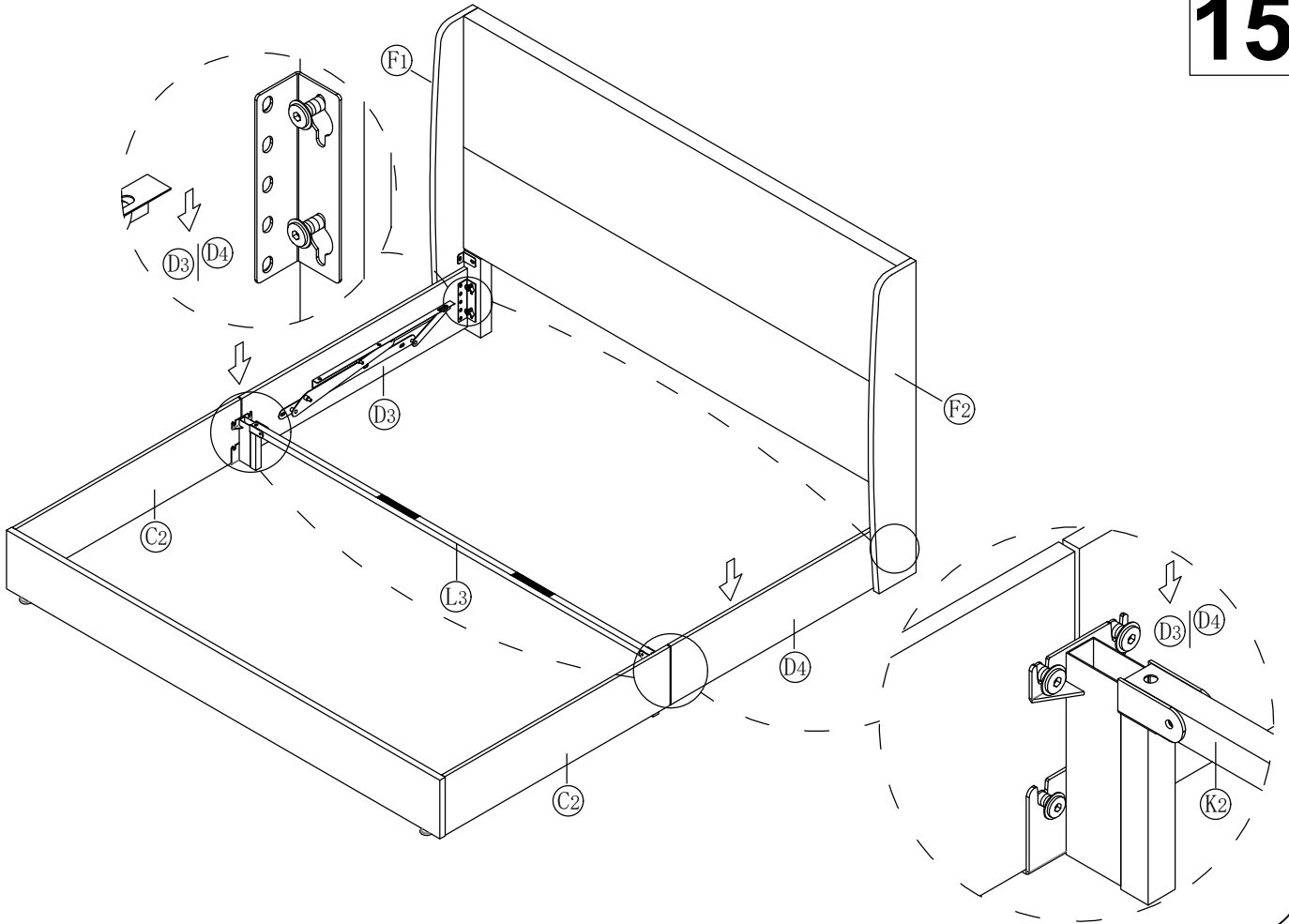
13



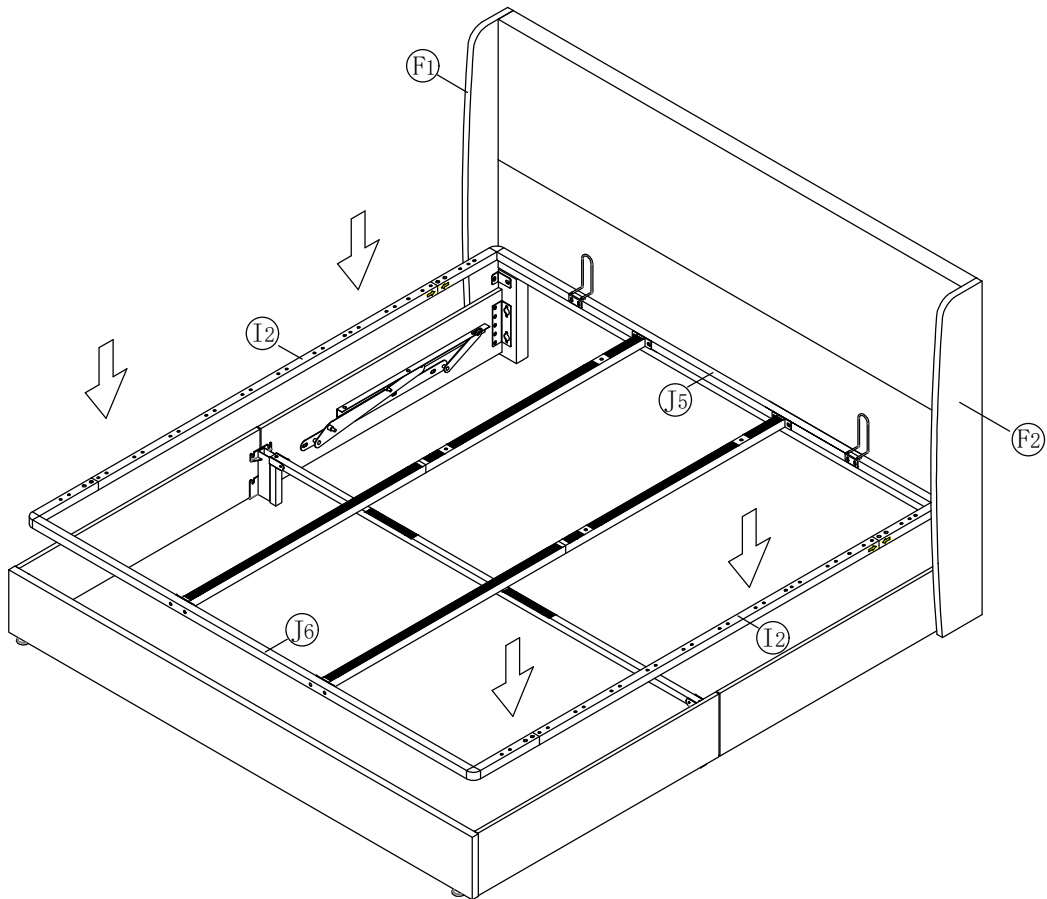
14



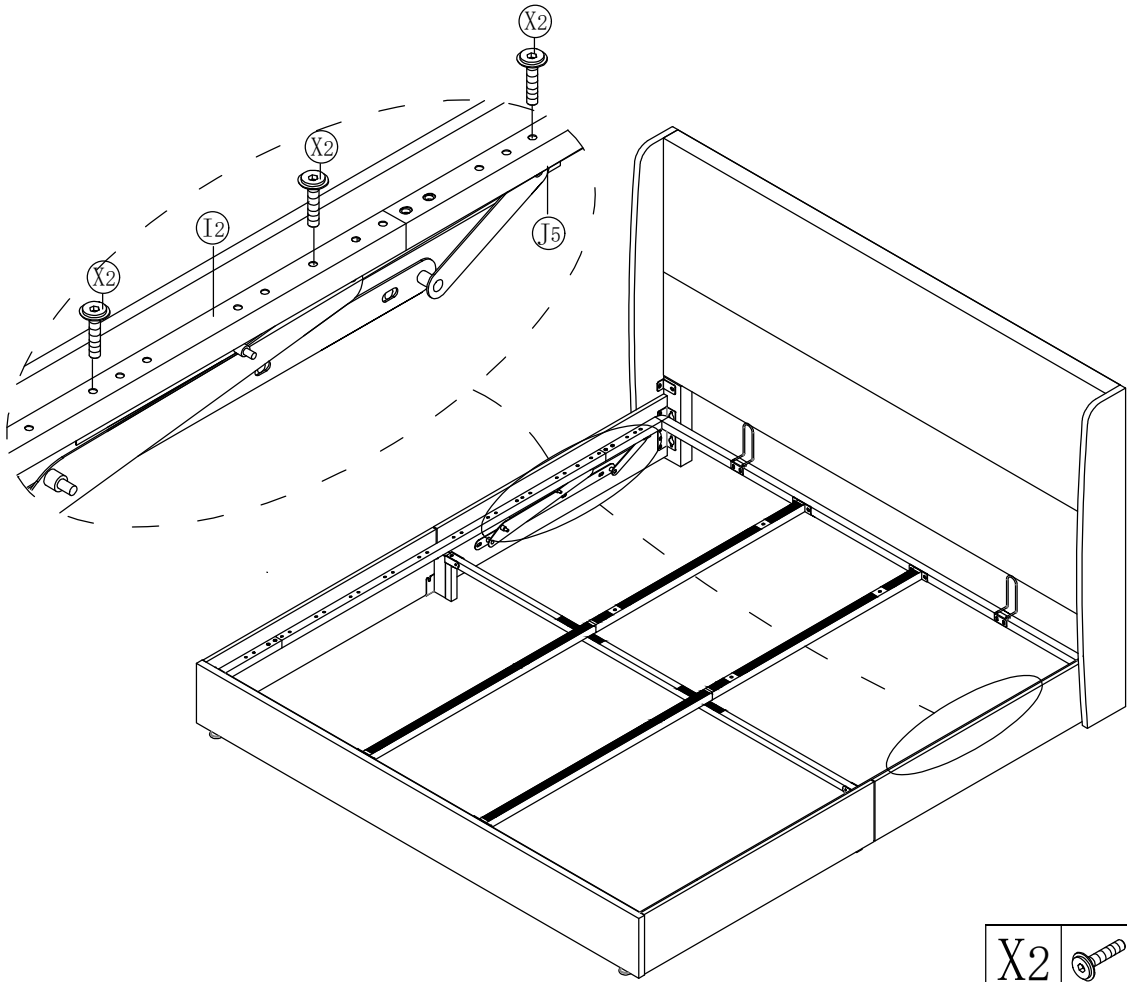
15



16

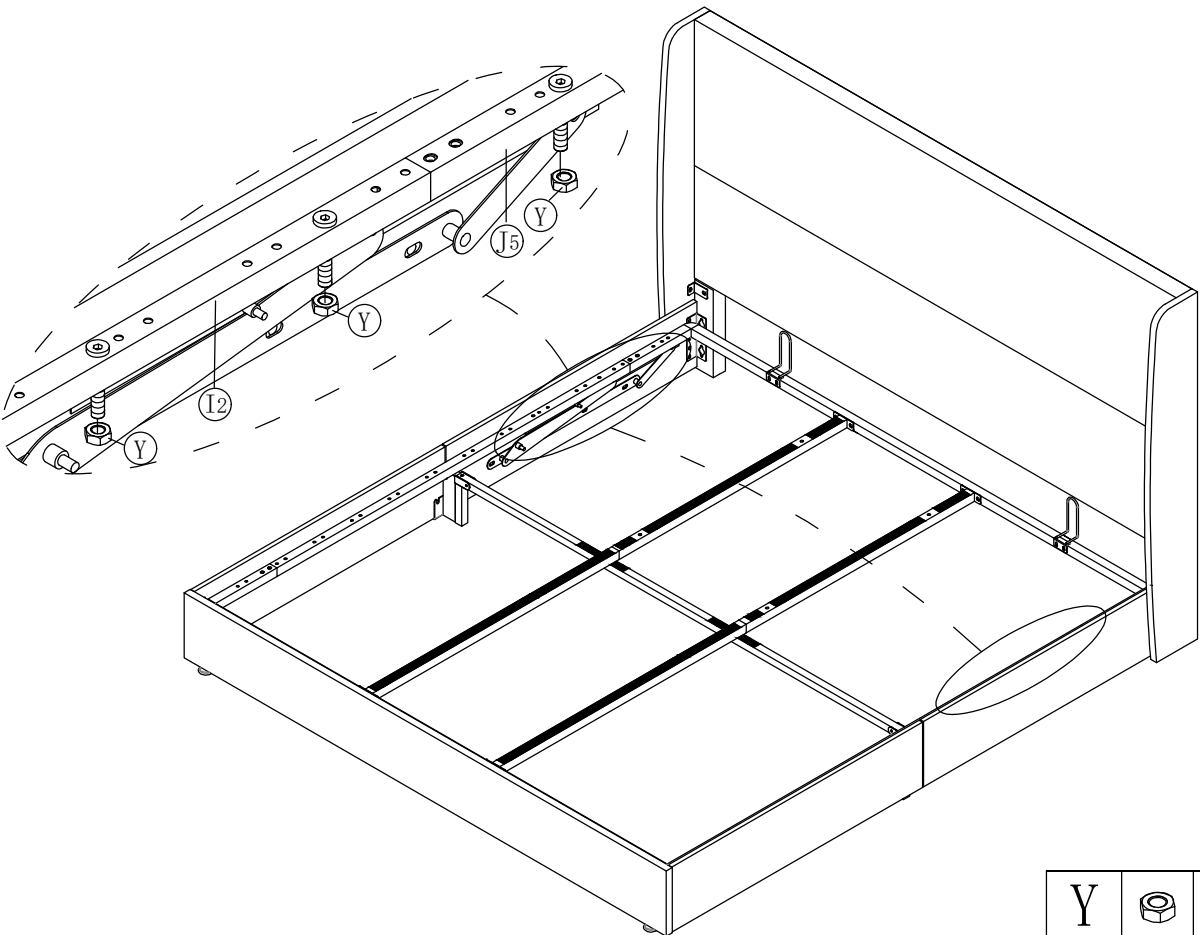


17



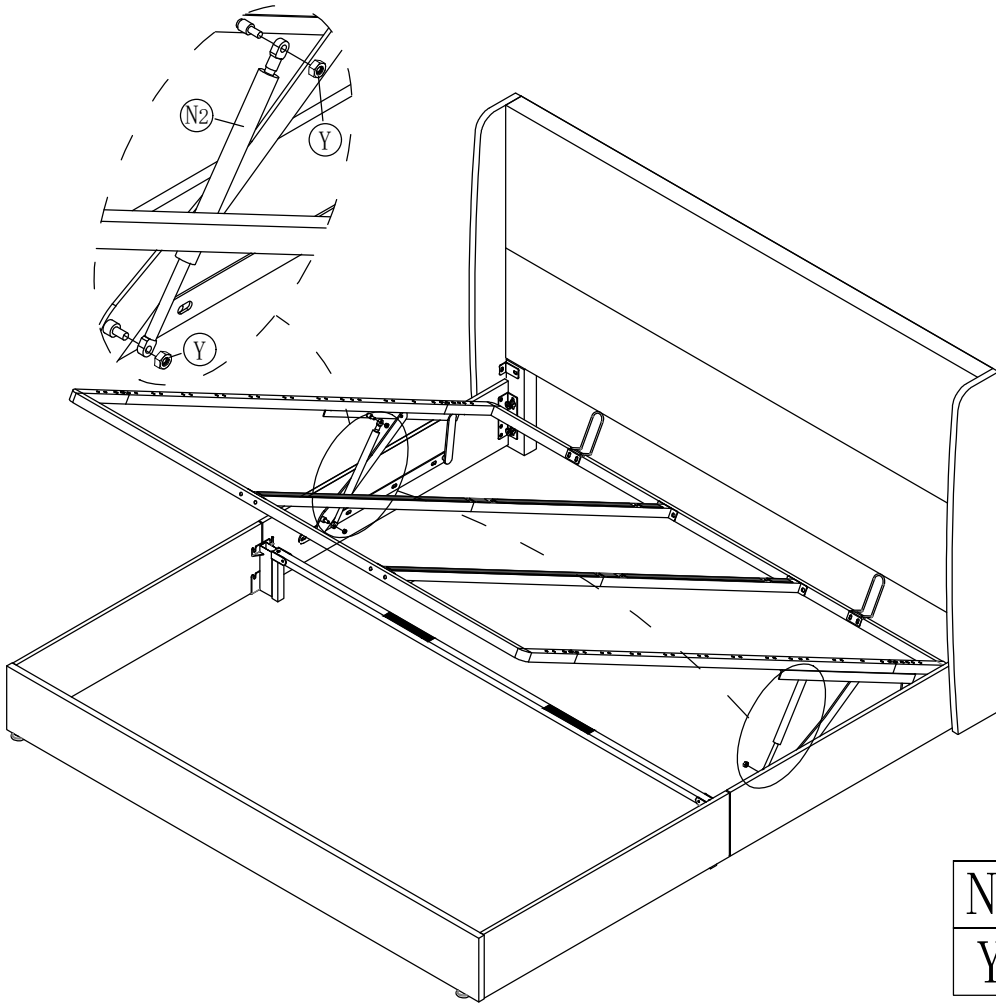
X2 6PCS



18



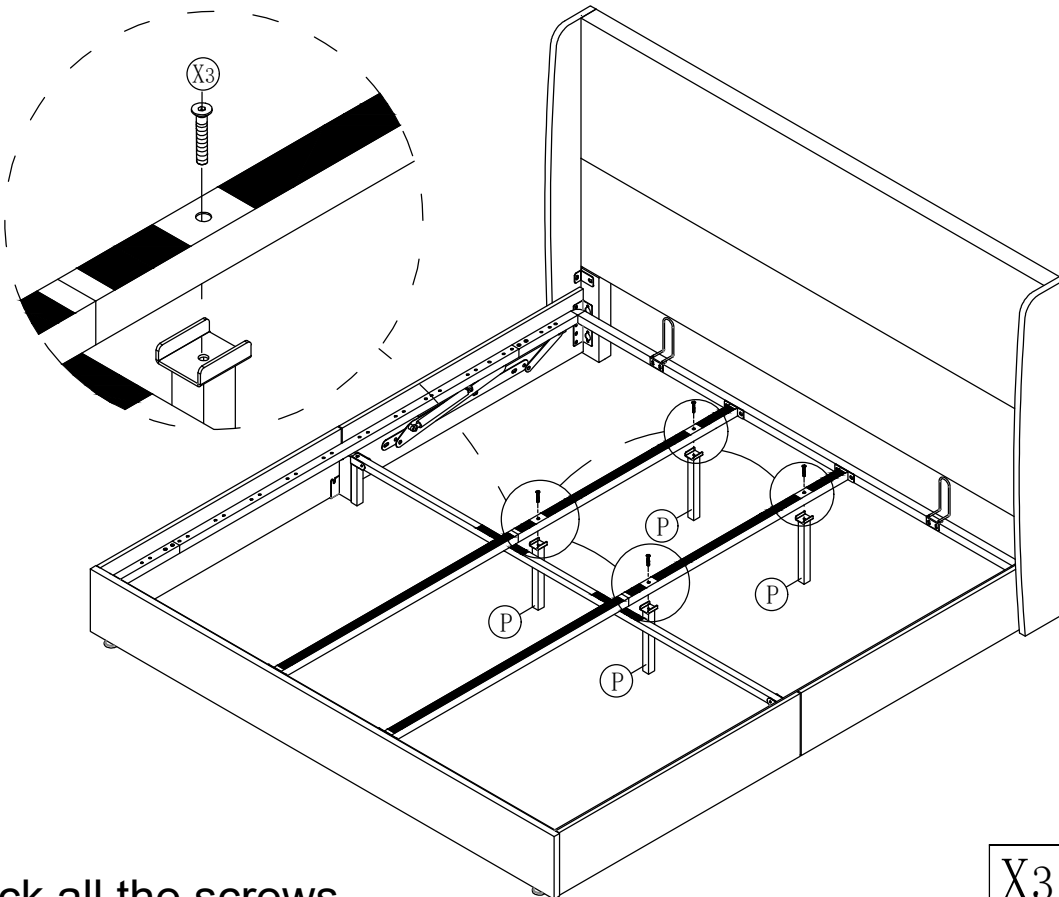
Y 6PCS

19




N2		2PCS
Y		4PCS

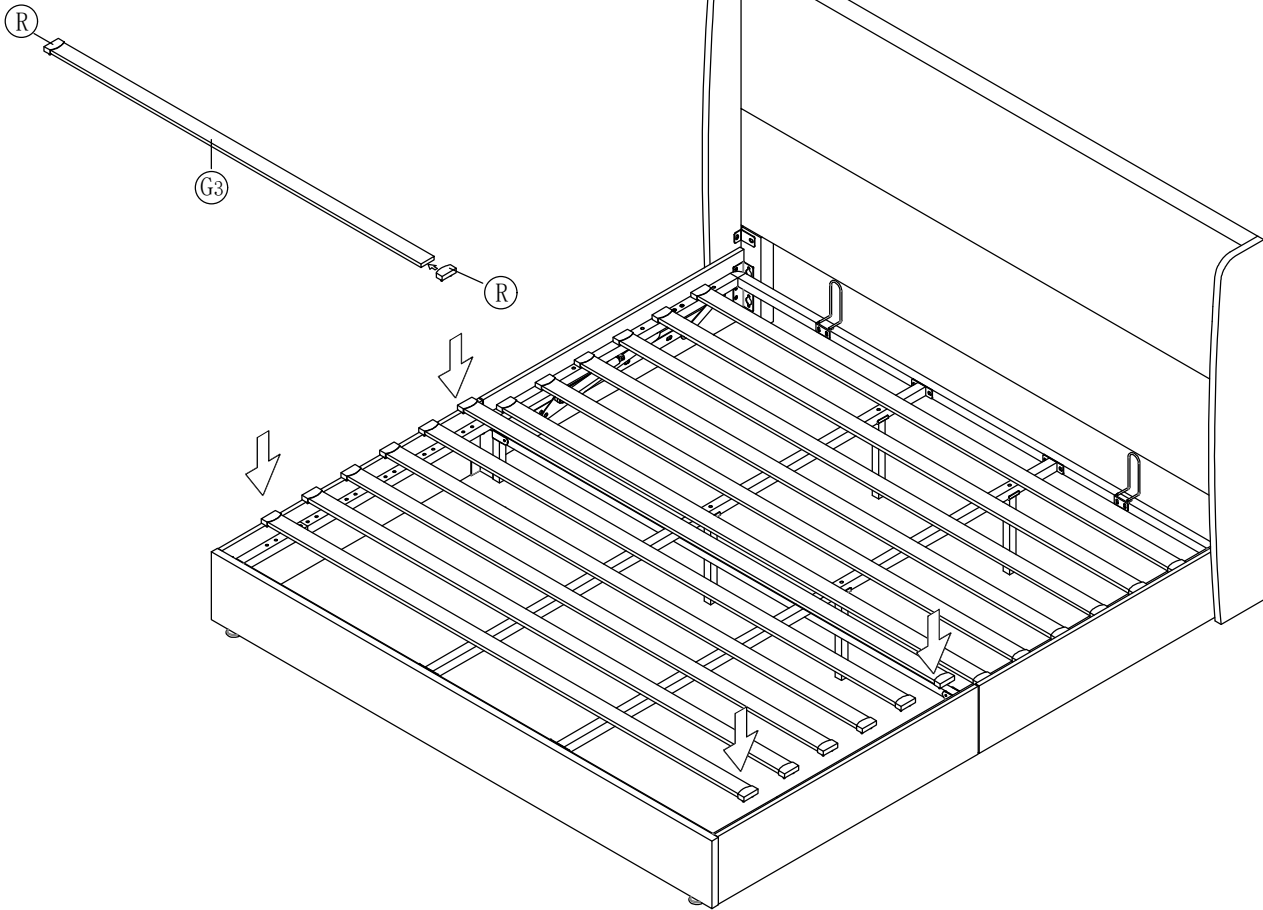
20



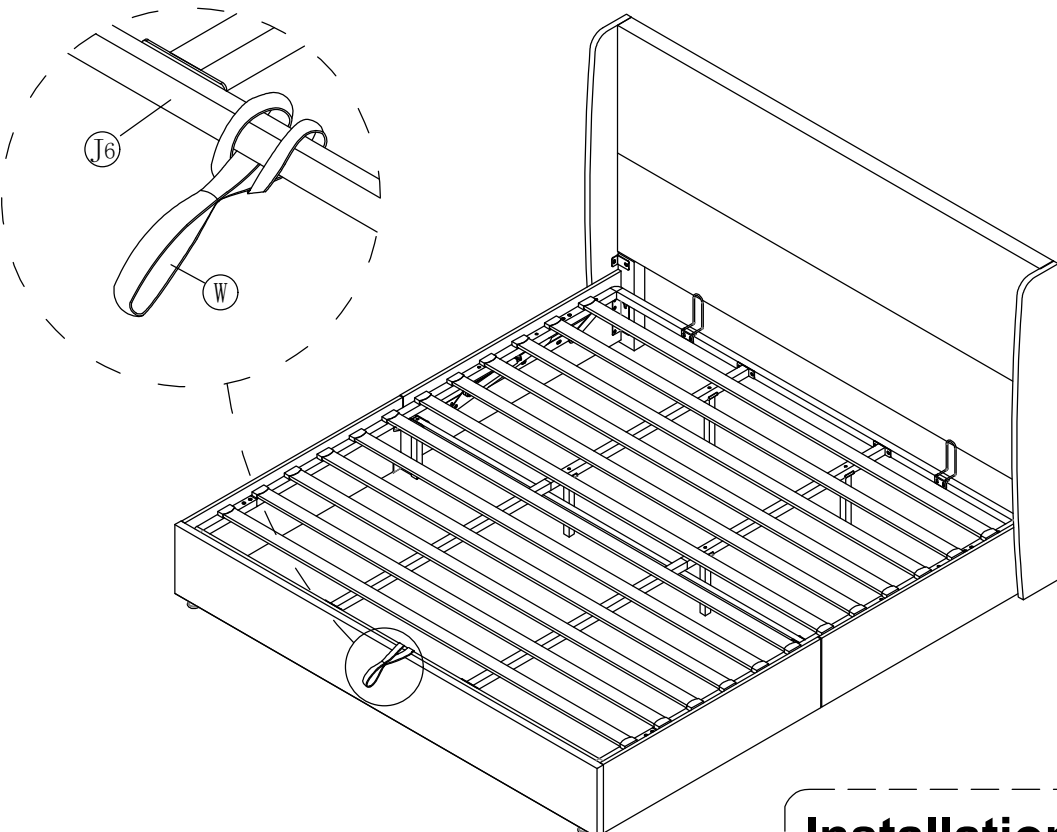
Lock all the screws.

X3		4PCS
----	---	------

21



22



**Installation Complete**