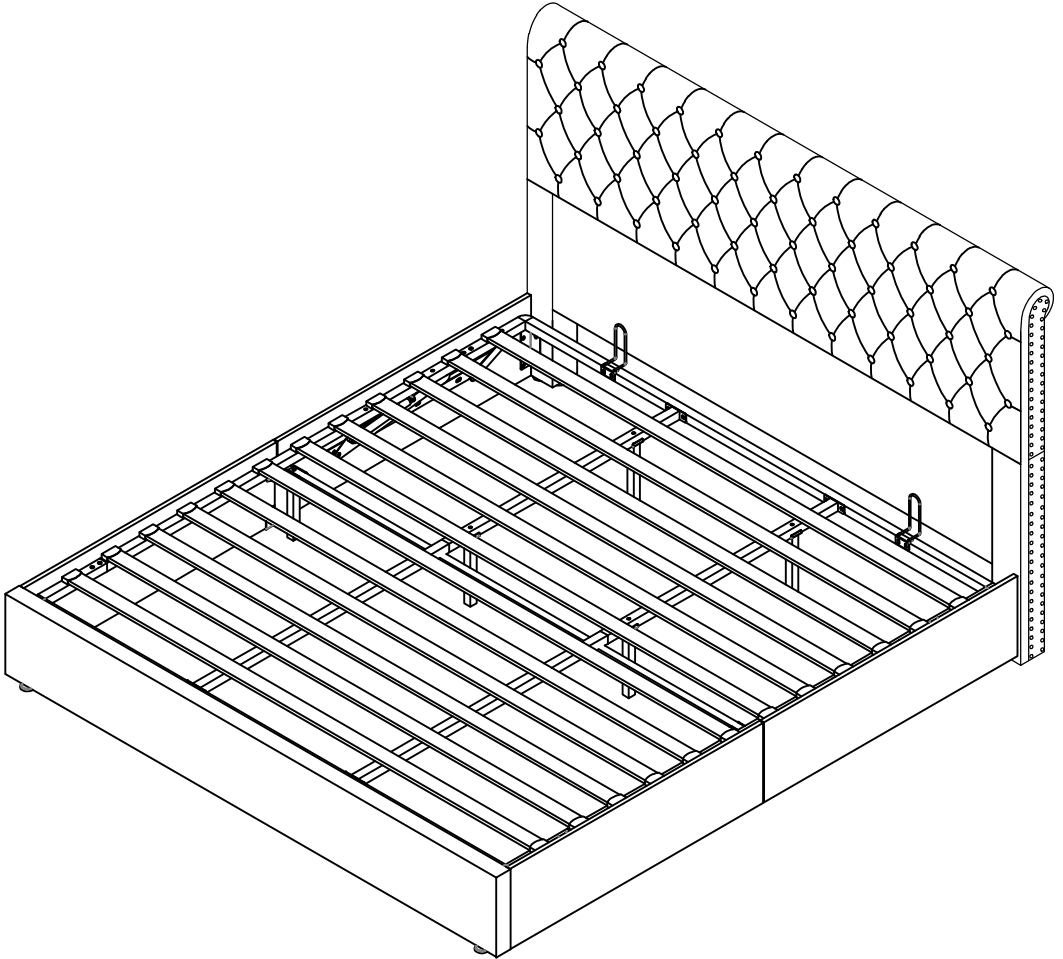


Upholstered Platform Bed with Tufted Wingback Headboard.

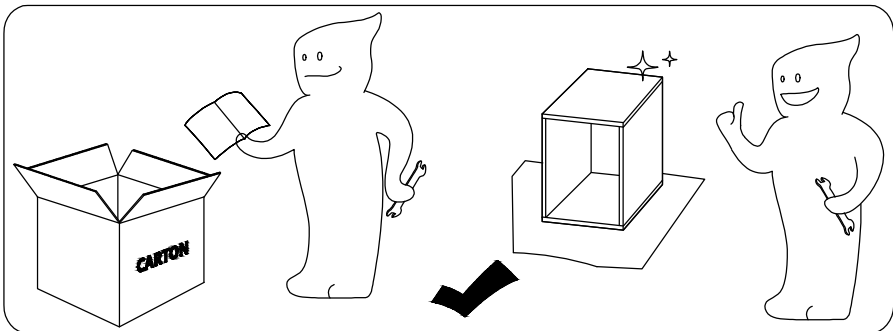
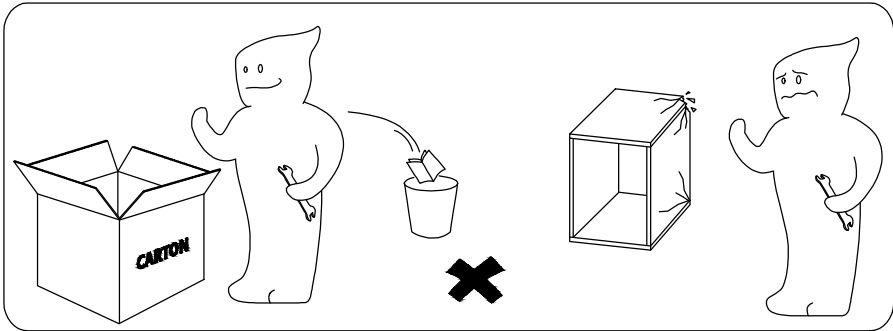


Dear Customers,

Thank you for purchasing our product. Please read this instruction manual carefully after receiving this product. It will help you assemble this product quickly, safely and correctly. You can keep this manual for future reference.

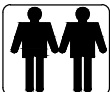
! IMPORTANT

Please follow the instruction manuals and use a pad to protect the product during your assembly.

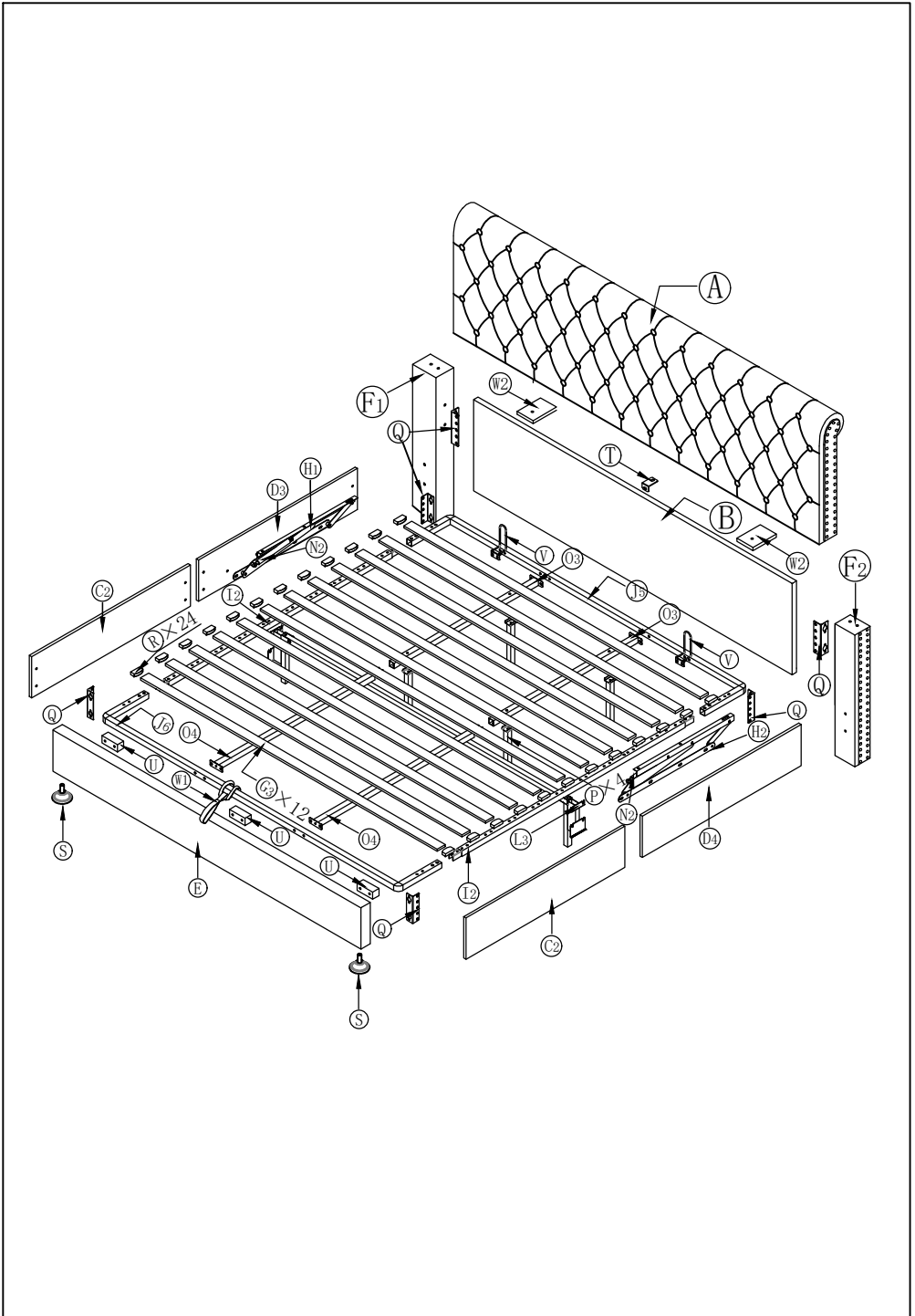


Note:

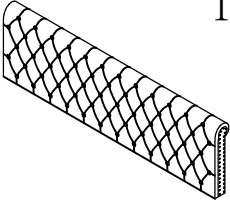
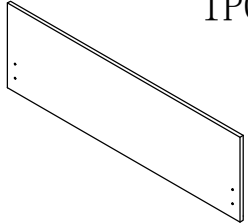
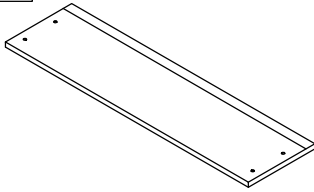
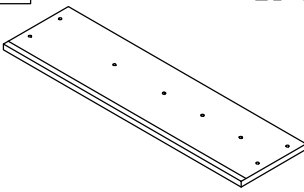
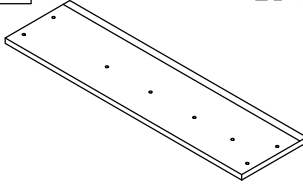
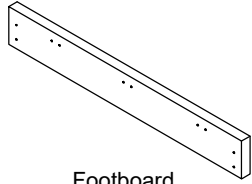
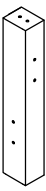
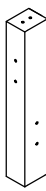
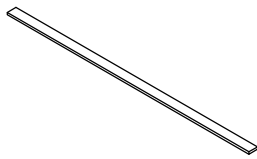
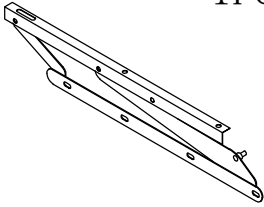
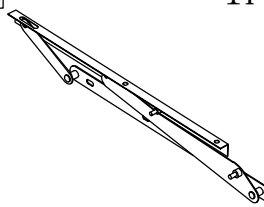
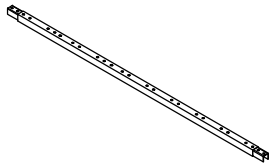
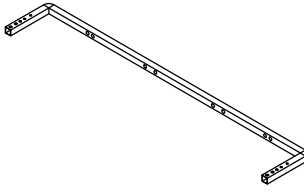
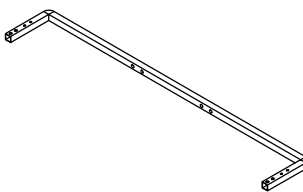
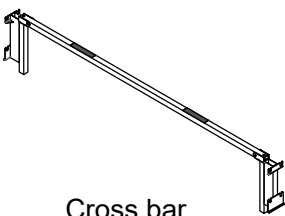
- 1.Should be assembled on flat ground to keep balance.
- 2.Before completing the installation,do not tighten the screws.



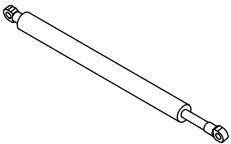
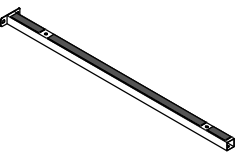
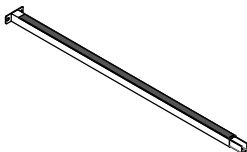
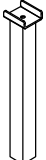
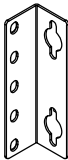
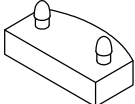
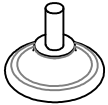
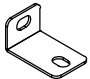
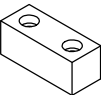
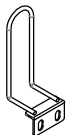

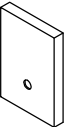
For easier and better assembly, 2 or more adults are required.



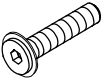
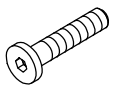
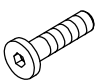
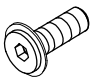

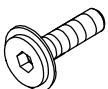
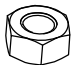


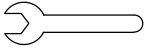
Part list

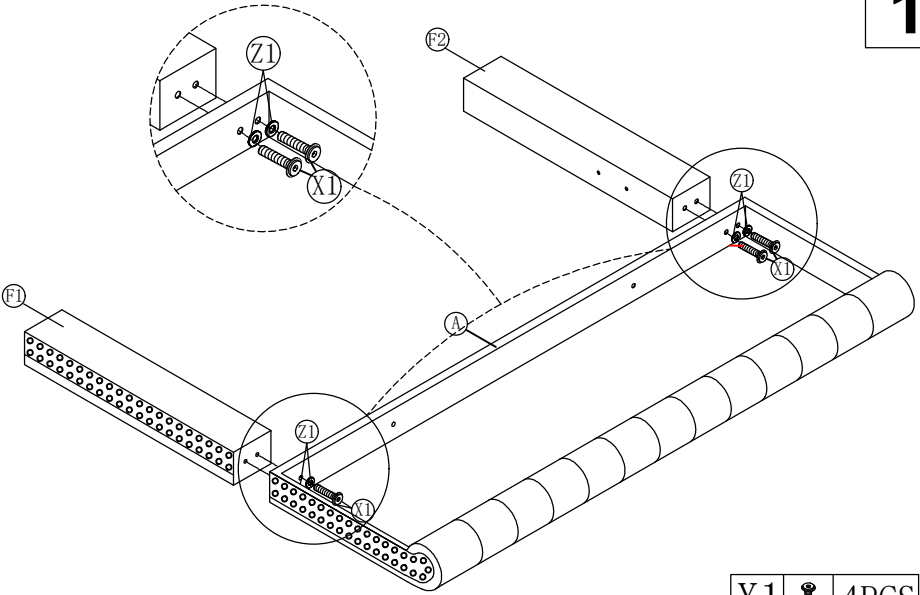
<p>A 1PC</p>  <p>Top headboard</p>	<p>B 1PC</p>  <p>Bottom headboard</p>	<p>C2 2PCS</p>  <p>Rear bed side</p>
<p>D3 1PC</p>  <p>Left front bed side</p>	<p>D4 1PC</p>  <p>Right front bed side</p>	<p>E 1PC</p>  <p>Footboard</p>
<p>F1 1PC</p>  <p>Left Leg</p>	<p>F2 1PC</p>  <p>Right Leg</p>	<p>G3 12PCS</p>  <p>Slat</p>
<p>H1 1PC</p>  <p>Left lift frame</p>	<p>H2 1PC</p>  <p>Right lift frame</p>	<p>I2 2PCS</p> 
<p>J5 1PC</p> 	<p>J6 1PC</p> 	<p>L3 1PC</p>  <p>Cross bar</p>

Part list



N2	2PCS	O3	2PCS	O4	2PCS
					
Hydraulic rod		Front Middle support bar		Rear middle support bar	
P	4PCS	Q	6PCS	R	24PCS
					
Support leg		Connector			
S	2PCS	T	1PC	U	3PCS
					
Leg		Connector			
V	2PCS	W1	1PC	W2	2PCS
					

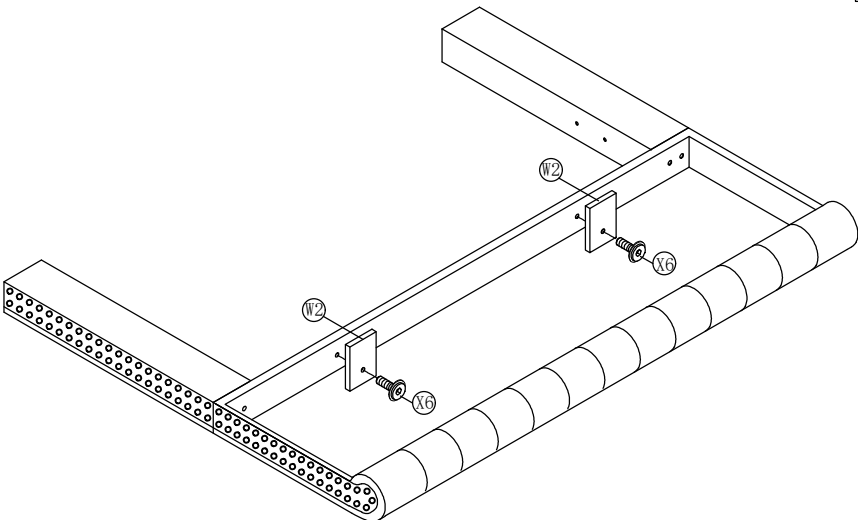
Hardware list

X1	10PCS	X2	12PCS	X3	12PCS	X4	17PCS	X5	37PCS
									
M8*50mm		M8*45mm		M8*30mm		M8*25mm		M8*18mm	
X6	2PCS	Y	10PCS	Z1	4PCS	Z2	1PC	Z3	1PC
									
M8*35		M8		∅22*∅8.5		M8 Spanner		M8 Spanner	


1

Back side

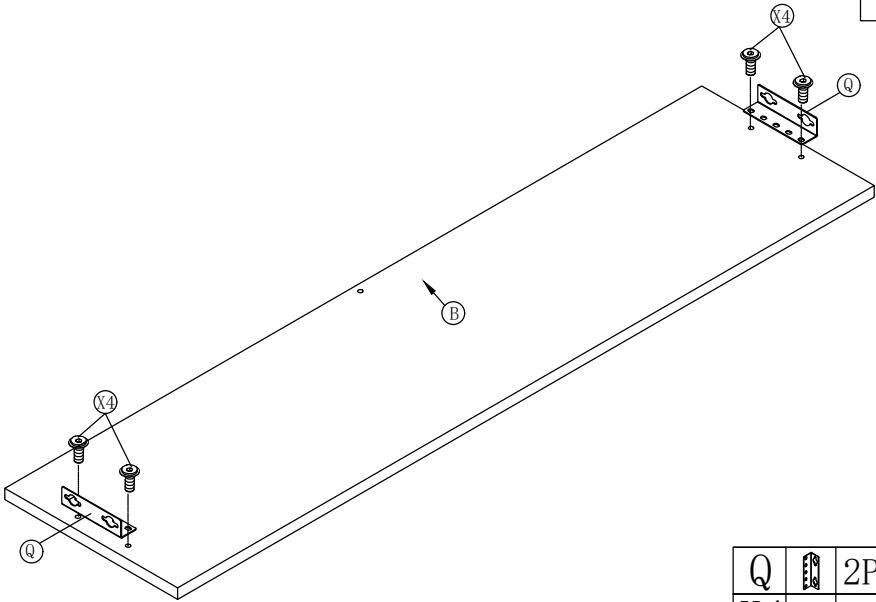
X1		4PCS
Z1		4PCS



2

Back side

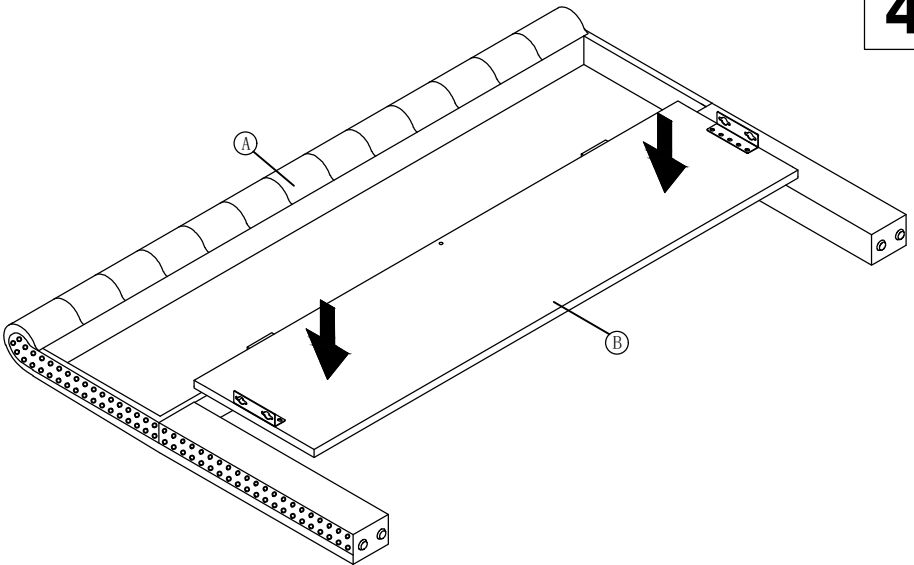
X6		2PCS
----	---	------

3

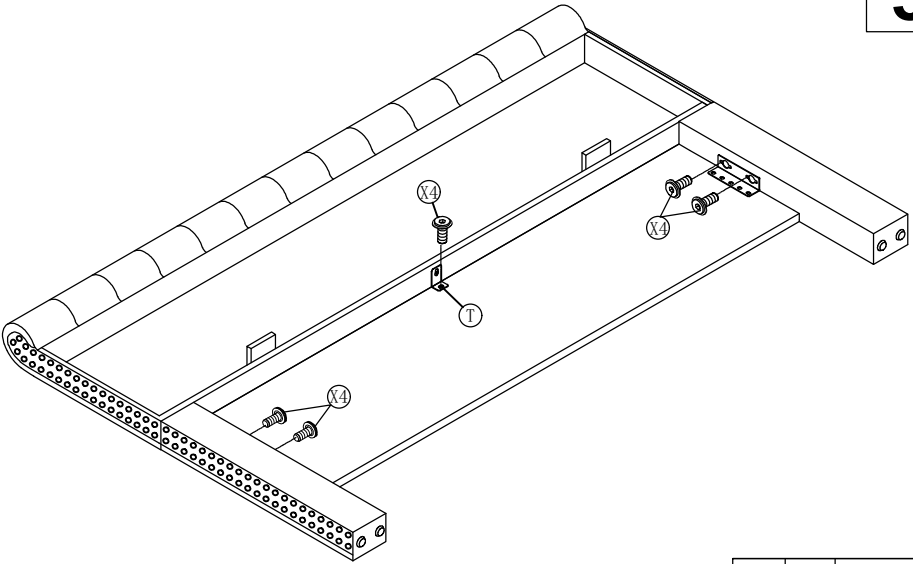


Q		2PCS
X4		4PCS

4

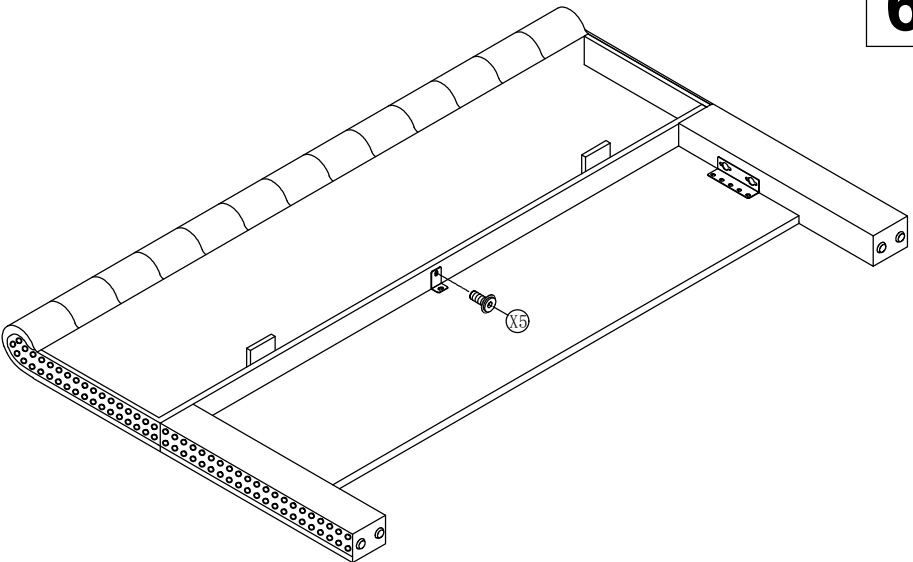


5



T		1PC
X4		5PCS

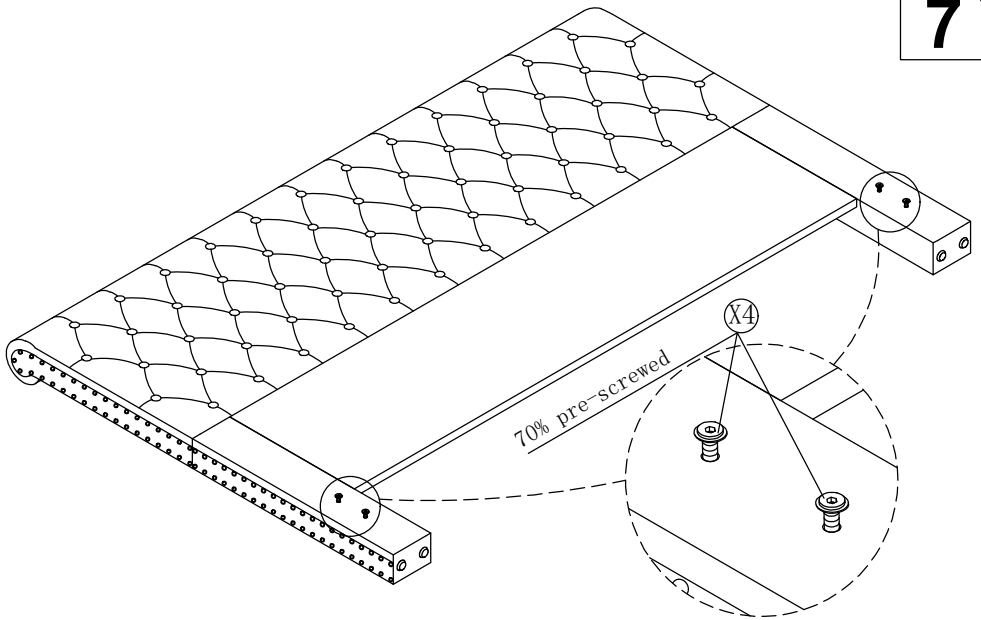
6



Flip over after tightening the screws

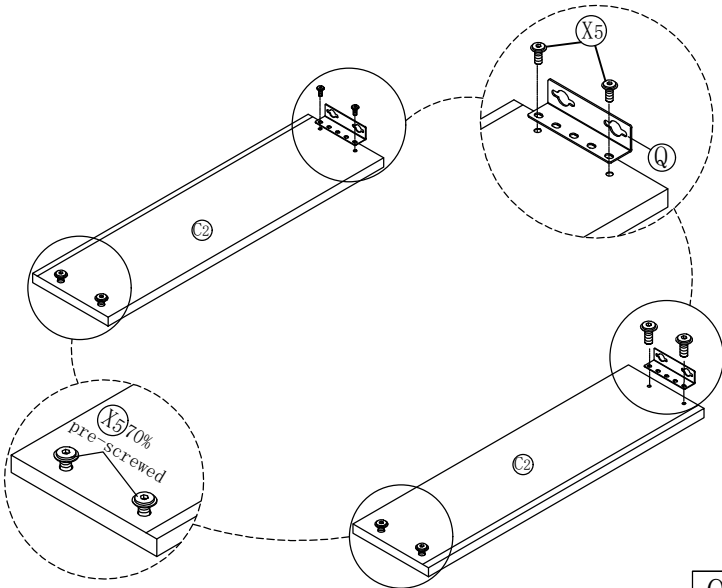
X5		1PCS
----	--	------

7



X4  4PCS

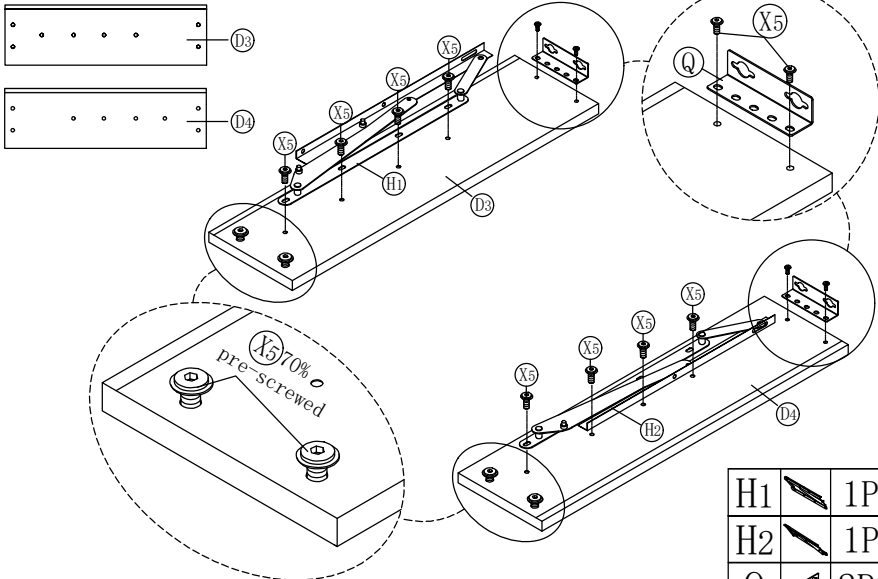
8



Loosen but don't remove the pre-installed screws.

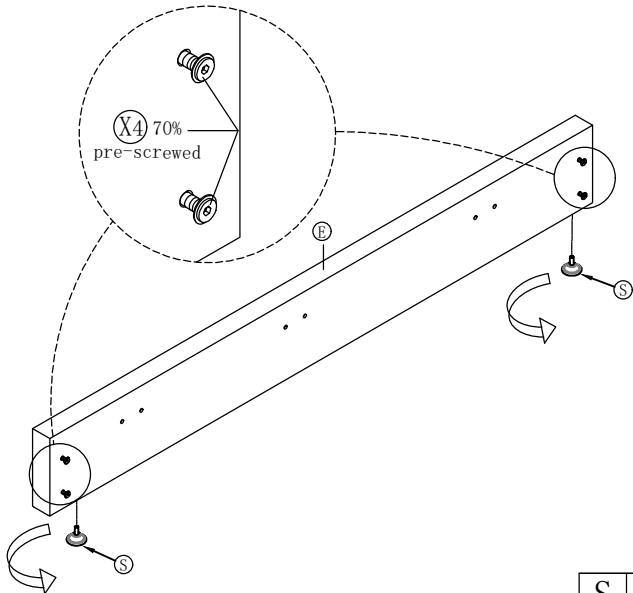
Q  2PCS
X5  8PCS

9



Loosen but don't remove the pre-installed screws.

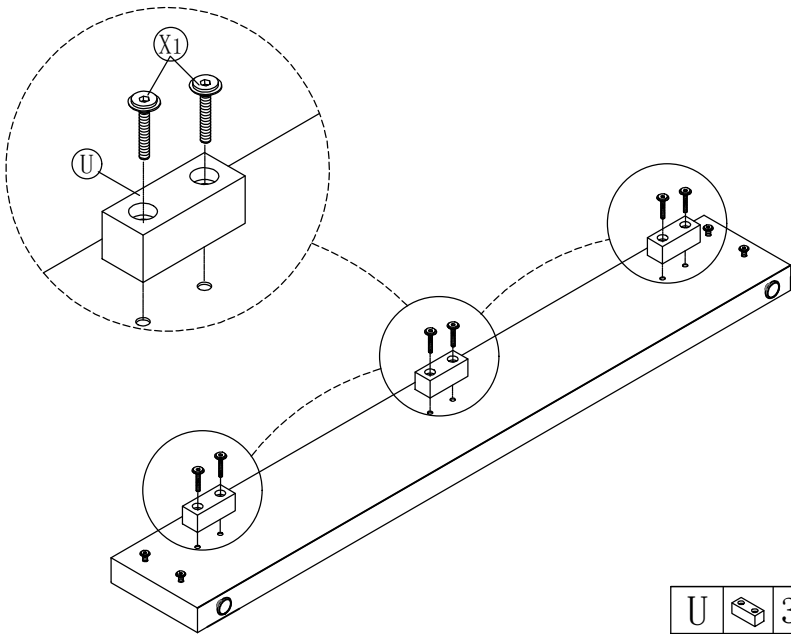
10



Loosen but don't remove the pre-installed screws.

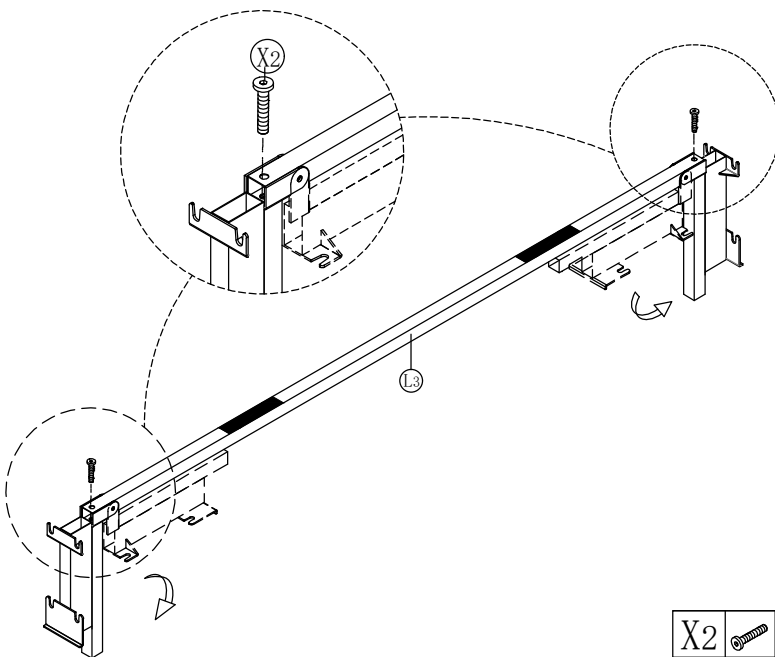
S		2PCS
X4		4PCS


11



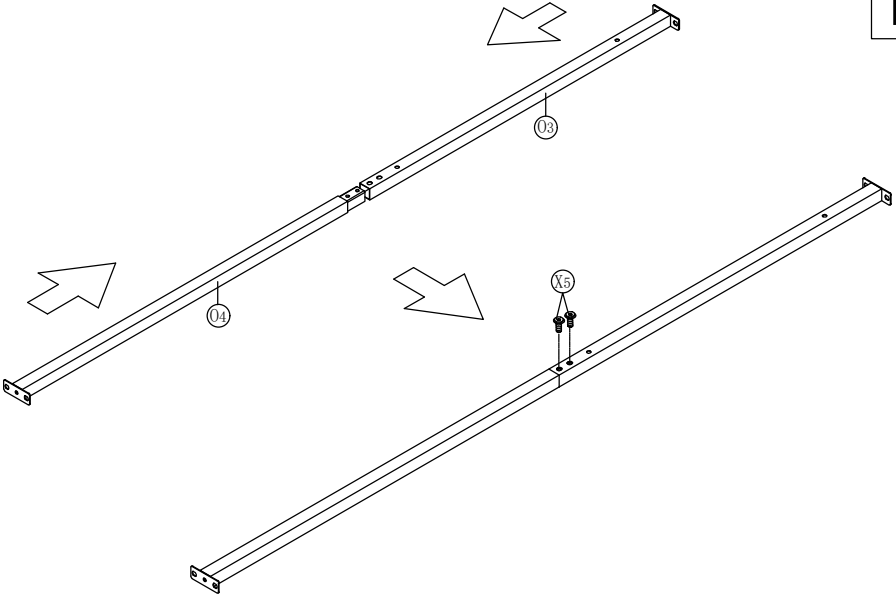
U		3PCS
X1		6PCS

12




X2		2PCS
----	---	------

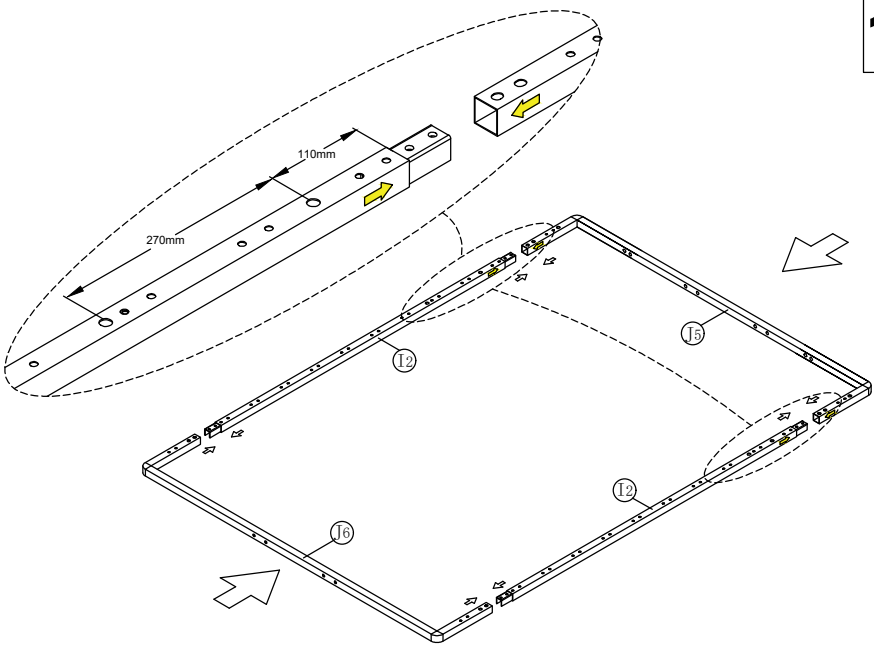
13



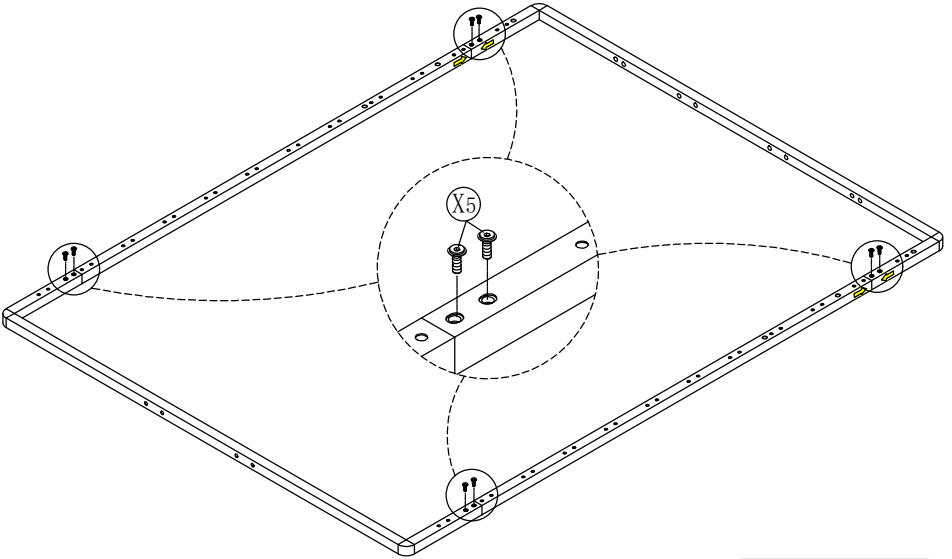
2PCS

X5  4PCS

14

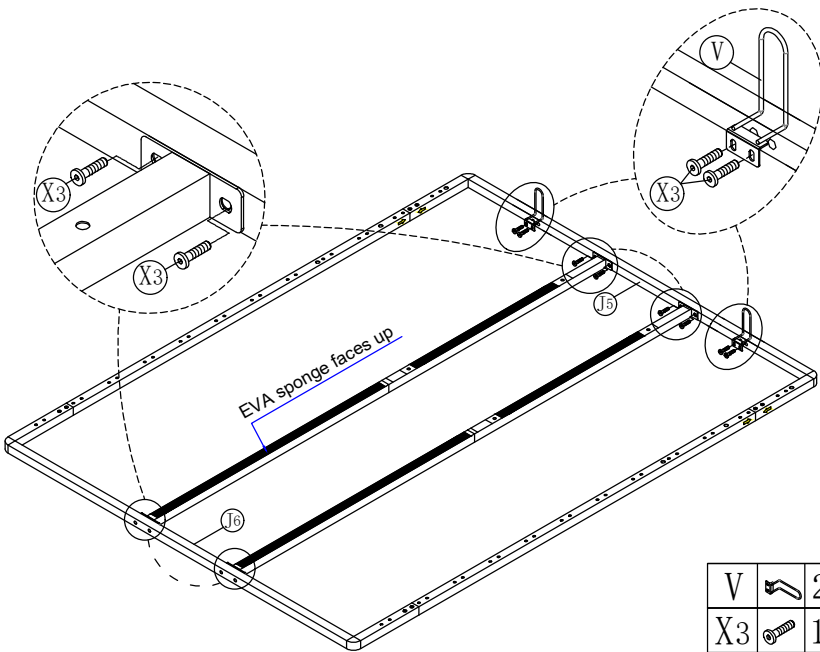


15



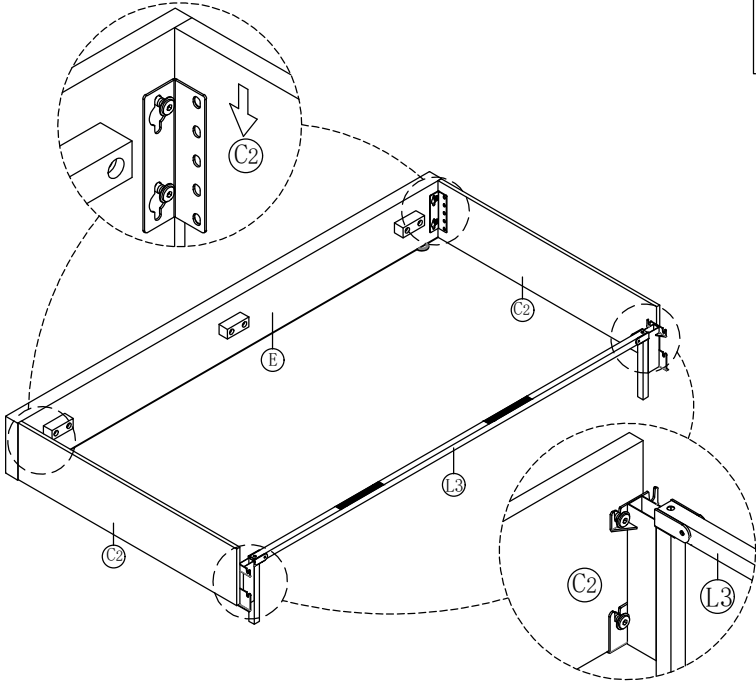
X5		8PCS
----	---	------

16

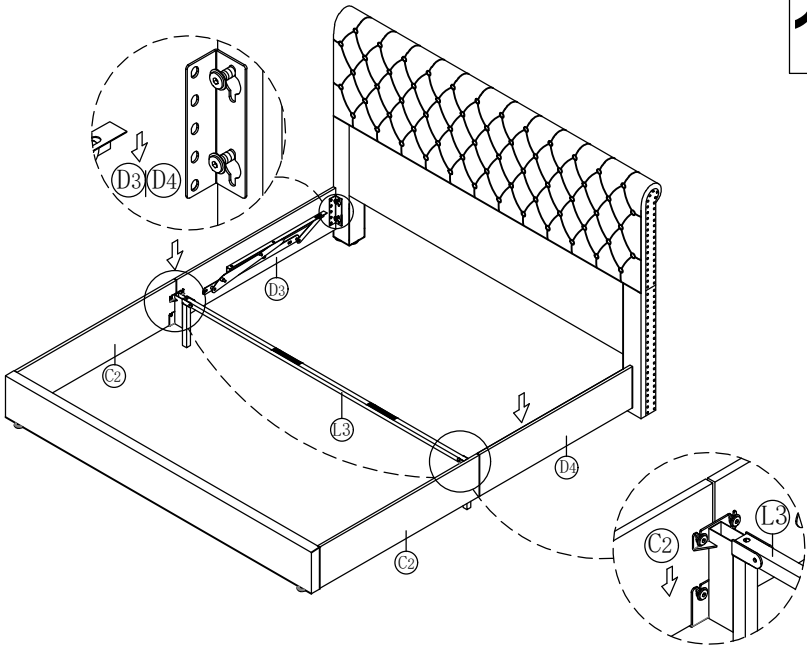


V		2PCS
X3		12PCS

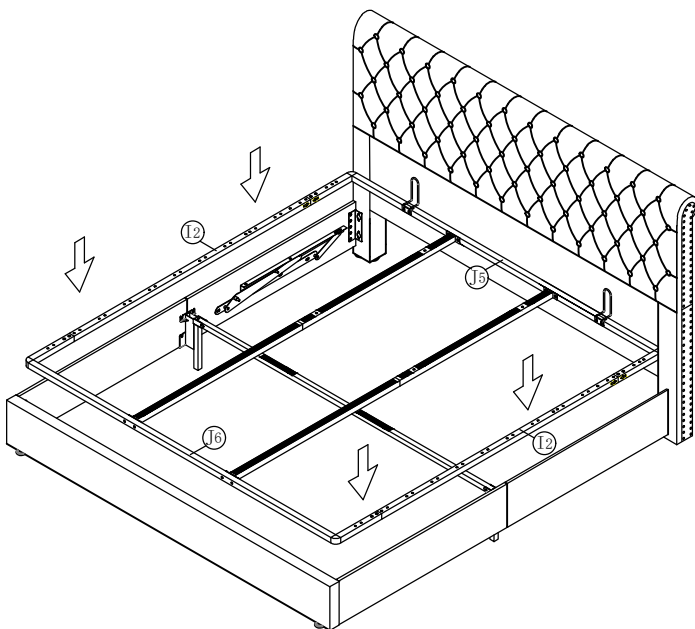
17



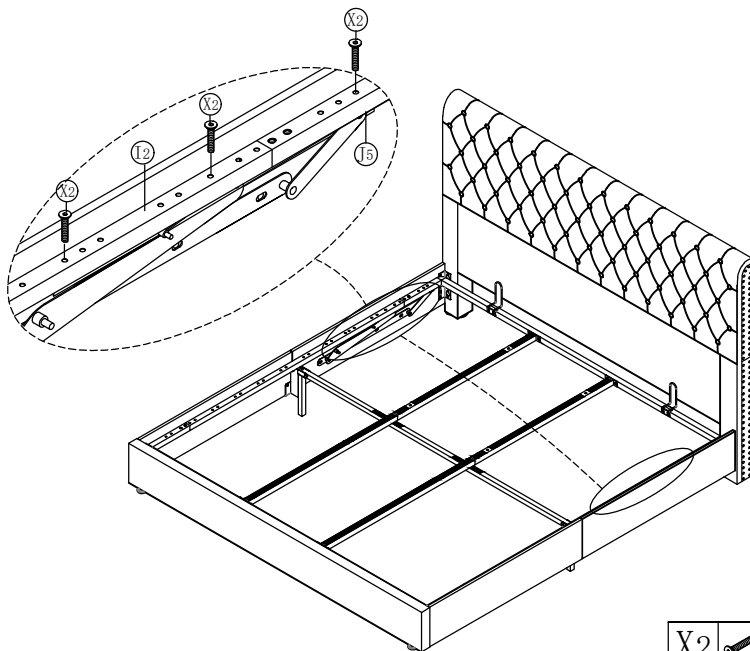
18



19

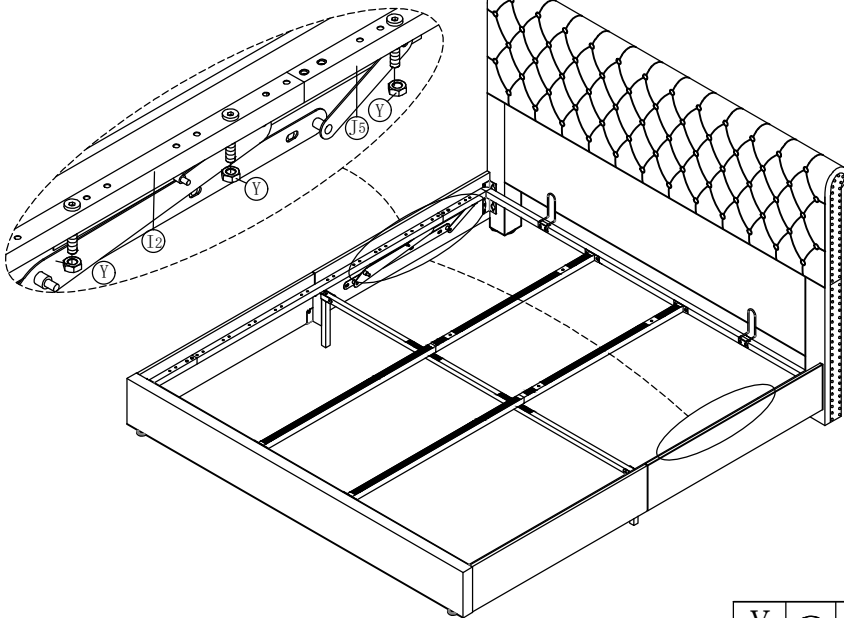



20



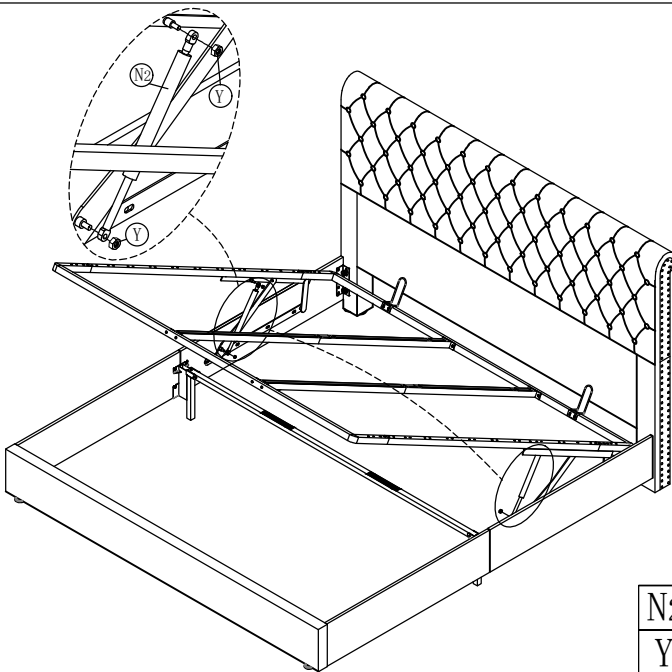
X2  6PCS

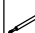

21



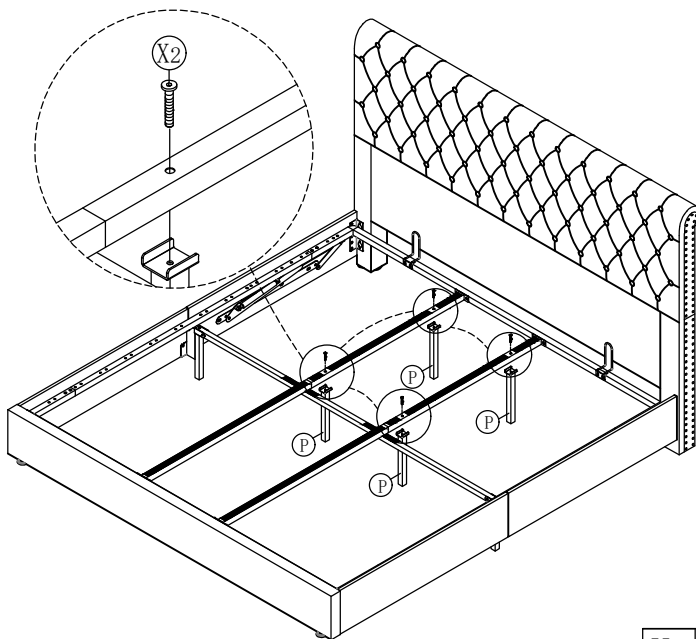
Y		6PCS
---	---	------

22




N2		2PCS
Y		4PCS

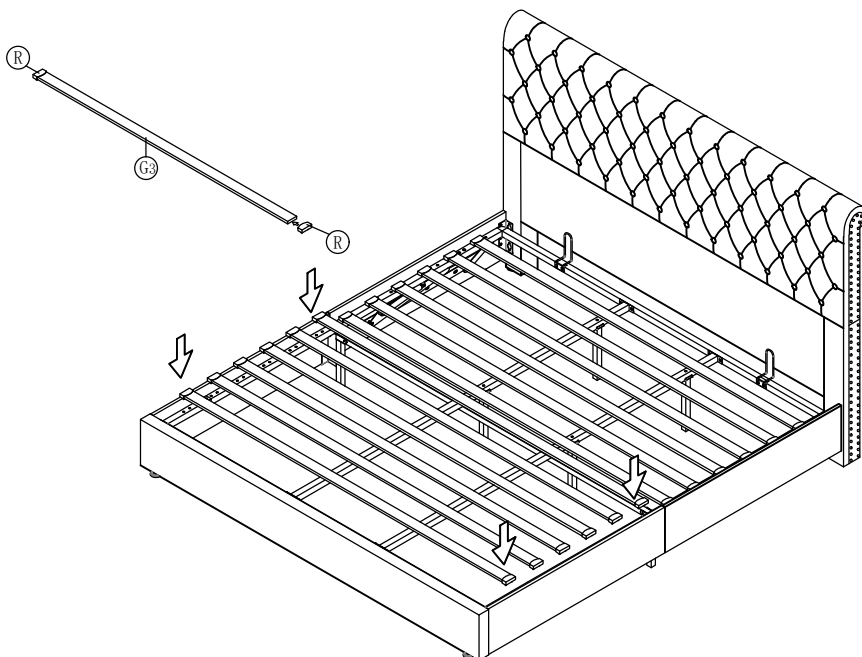
23



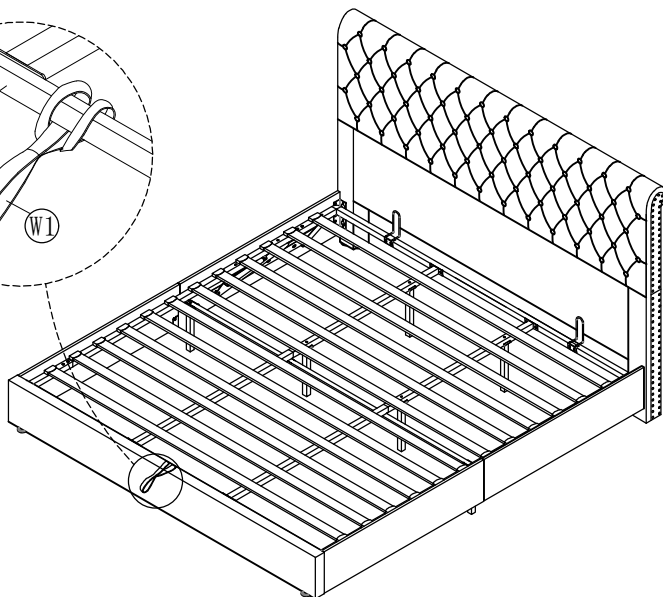
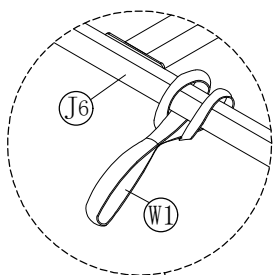
Lock all the screws.

X2  4PCS

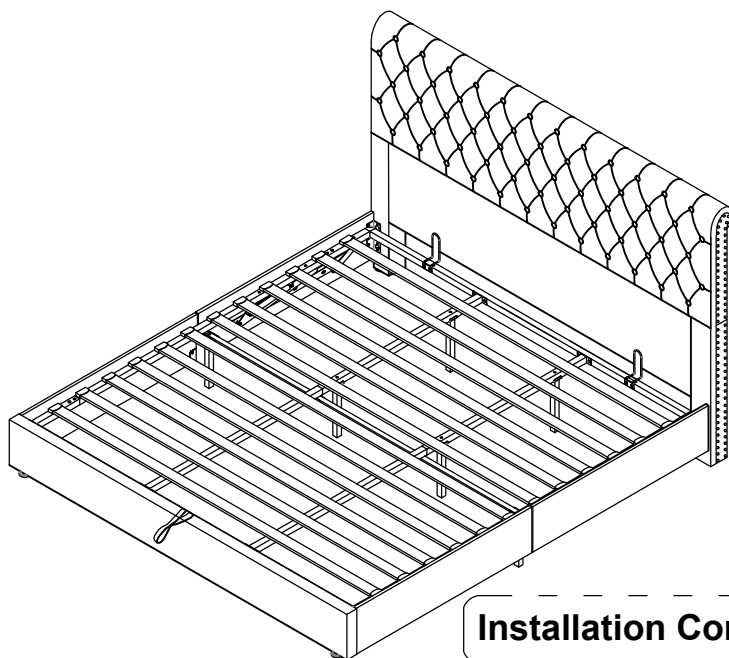
24



25



26



Installation Complete