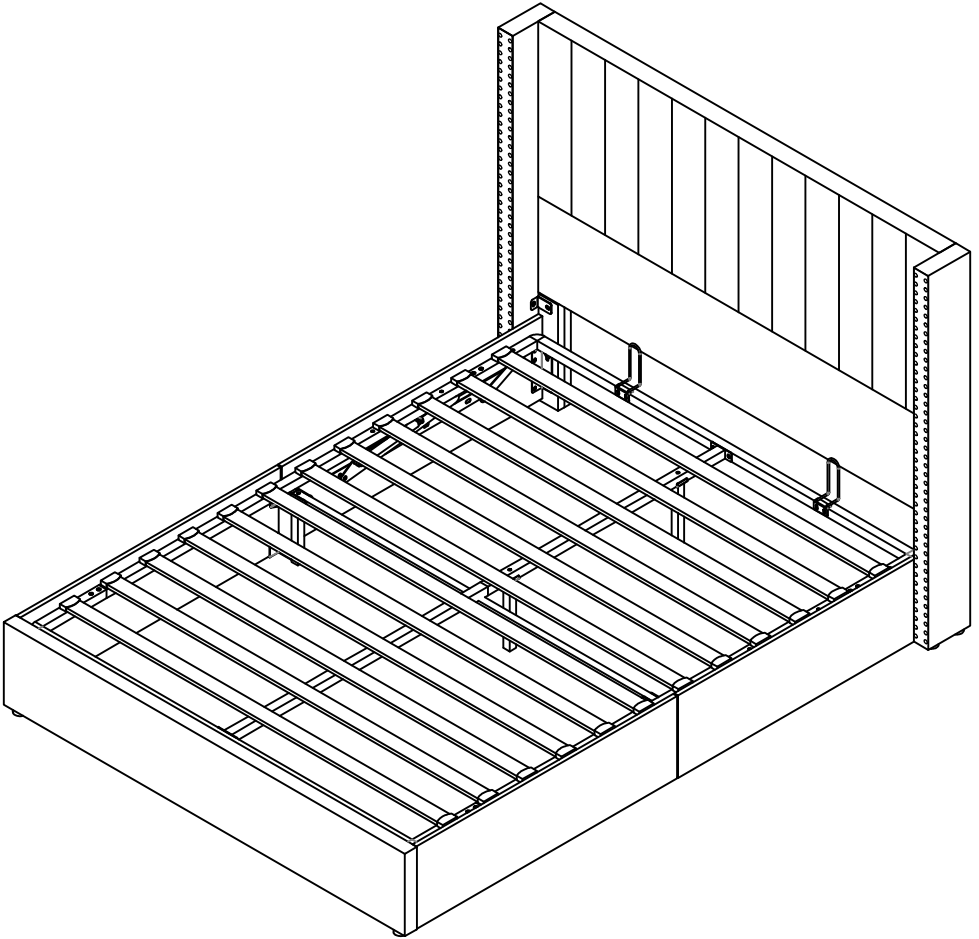


Upholstered Platform Bed with Tufted Wingback Headboard.

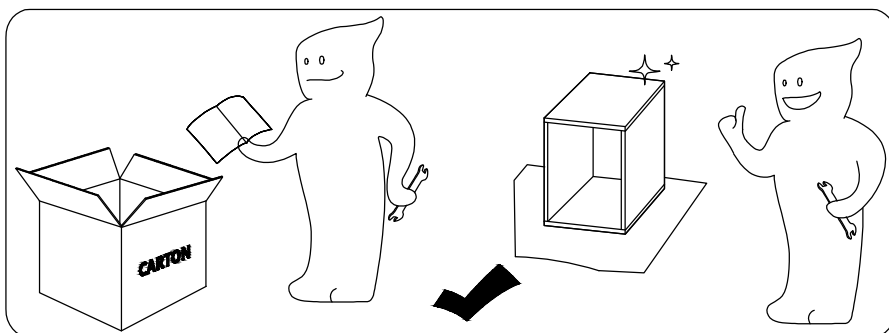
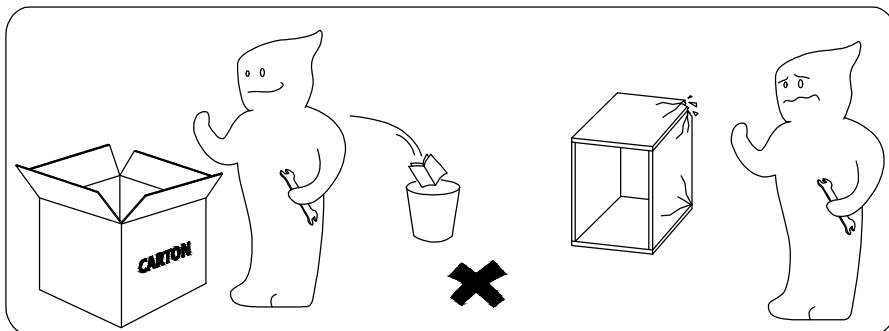


Dear Customers,

Thank you for purchasing our product. Please read this instruction manual carefully after receiving this product. It will help you assemble this product quickly, safely and correctly. You can keep this manual for future reference.

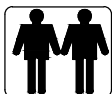
! IMPORTANT

Please follow the instruction manuals and use a pad to protect the product during your assembly.

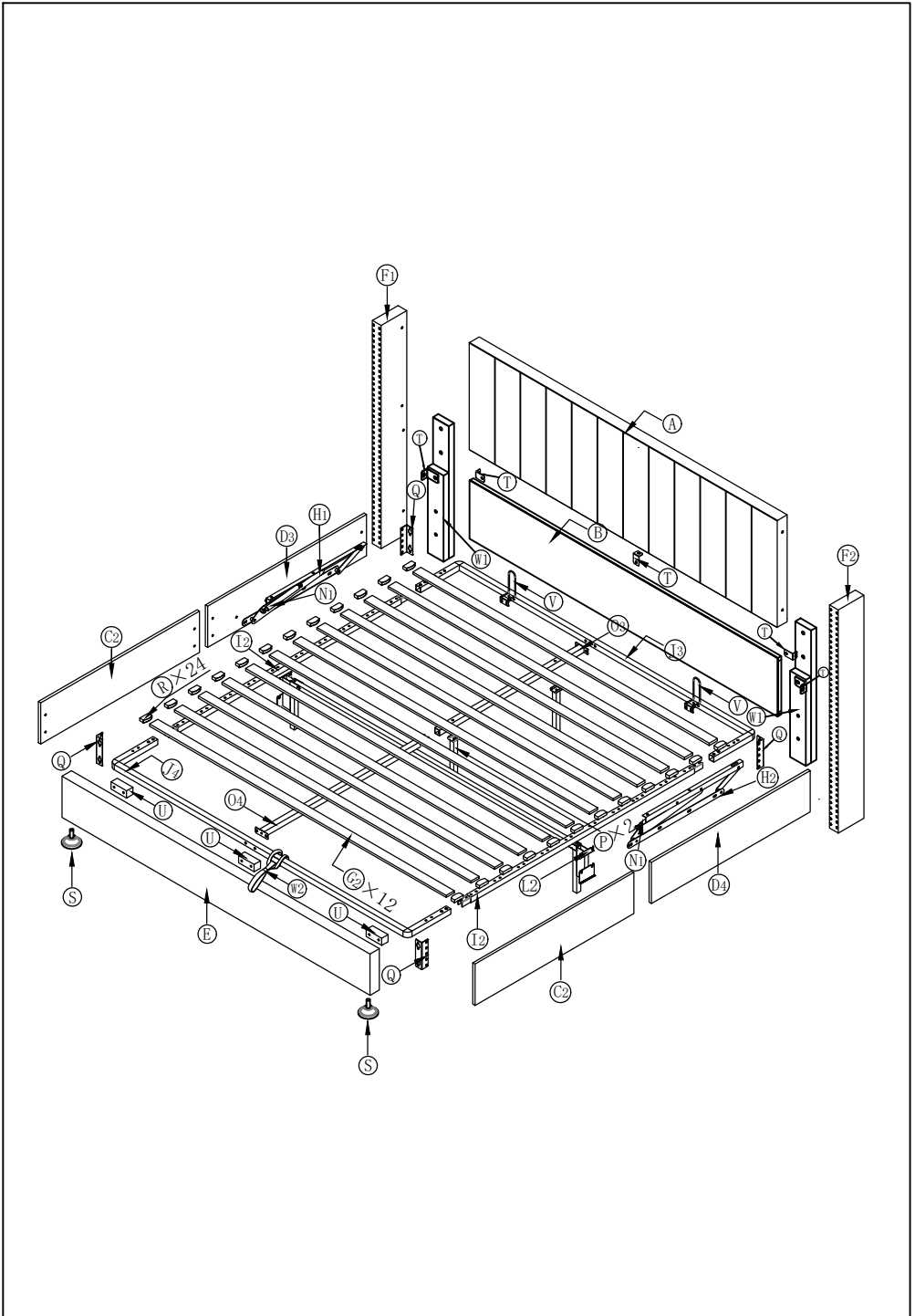


Note:

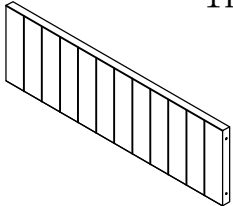
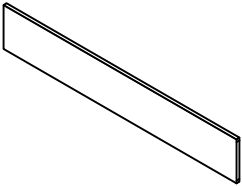
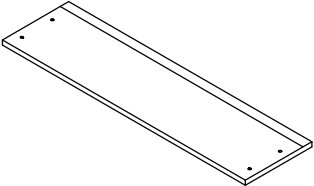
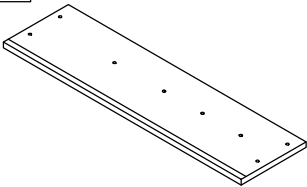
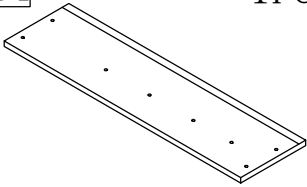
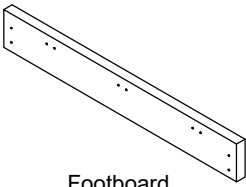
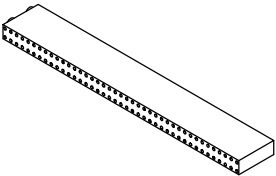
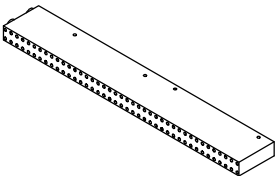
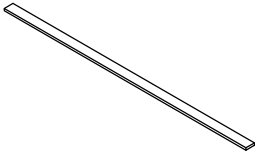
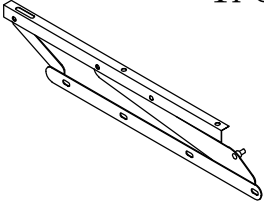
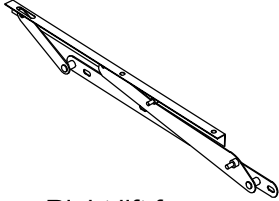
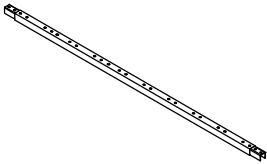
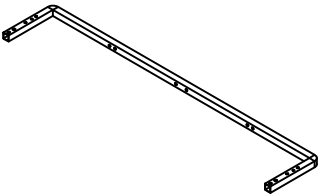
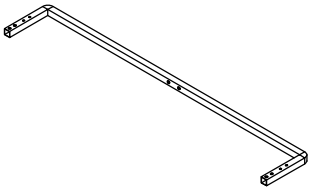
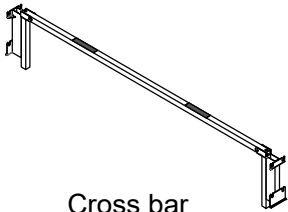
1. Should be assembled on flat ground to keep balance.
2. Before completing the installation, do not tighten the screws.



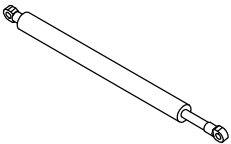
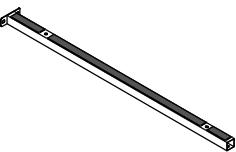
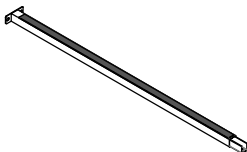
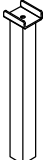
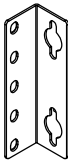
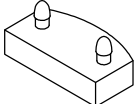
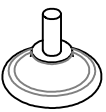
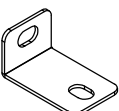
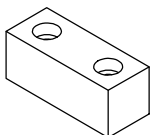
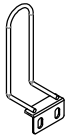


For easier and better assembly, 2 or more adults are required.



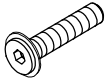
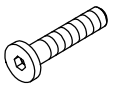
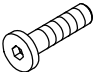
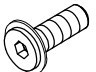

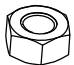


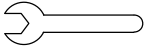
Part list

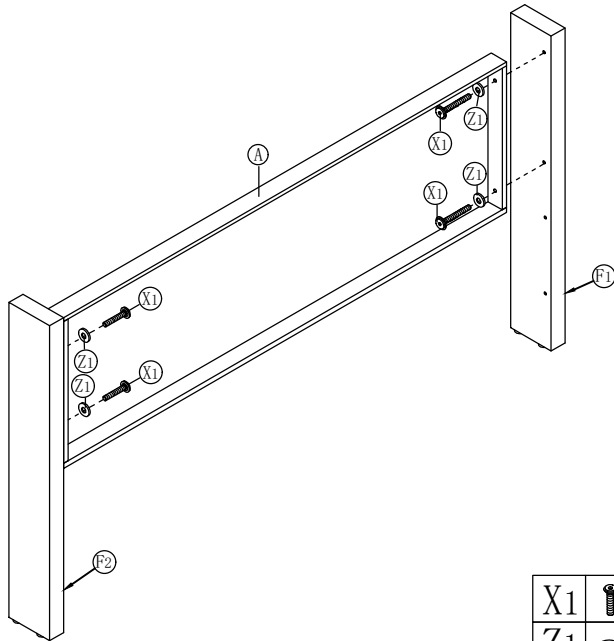
A  Top headboard	B  Bottom headboard	C2  Rear bed side
D3  Left front bed side	D4  Right front bed side	E  Footboard
F1  Left wing	F2  Right wing	G2  Slat
H1  Left lift frame	H2  Right lift frame	I2  Cross bar
J3  Cross bar	J4  Cross bar	L2  Cross bar

Part list



N1	2PCS	O3	1PC	O4	1PC
					
Hydraulic rod		Front Middle support bar		Rear middle support bar	
P	4PCS	Q	4PCS	R	24PCS
					
Support leg		Connector			
S	2PCS	T	5PCS	U	3PCS
					
Leg		Connector			
V	2PCS	W1	2PCS	W2	1PC
					

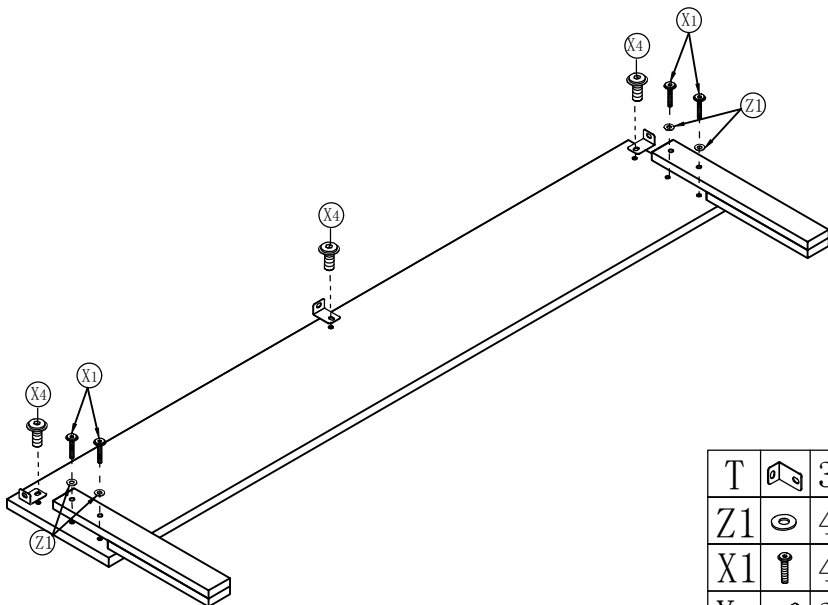
Hardware list

X1	14PCS	X2	10PCS	X3	8PCS	X4	17PCS
							
M8*50mm		M8*45mm		M8*30mm		M8*25mm	
X5	35PCS	Y	10PCS	Z1	8PCS	Z2	1PC
							
M8*18mm		M8		∅22*∅8.5		M8 Spanner	
Z3	1PC						
							





1

Back side

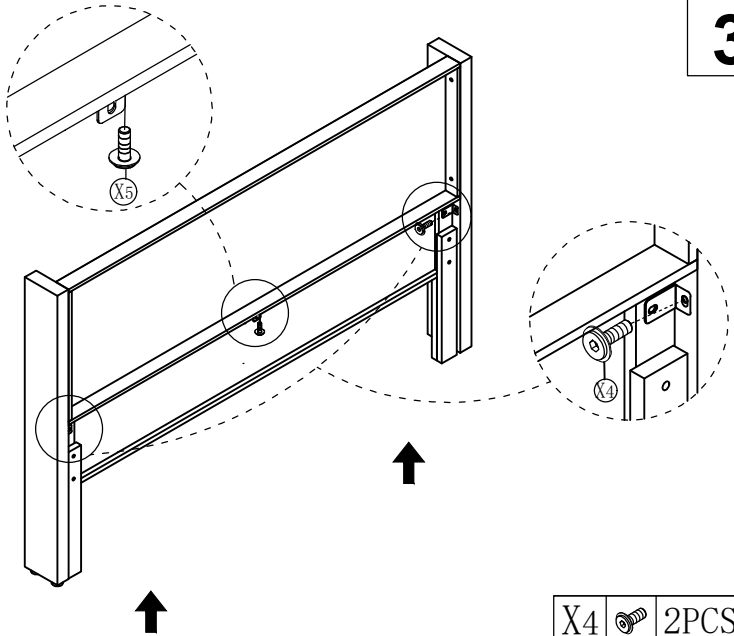
X1		4PCS
Z1		4PCS

2

Back side

T		3PCS
Z1		4PCS
X1		4PCS
X4		3PCS

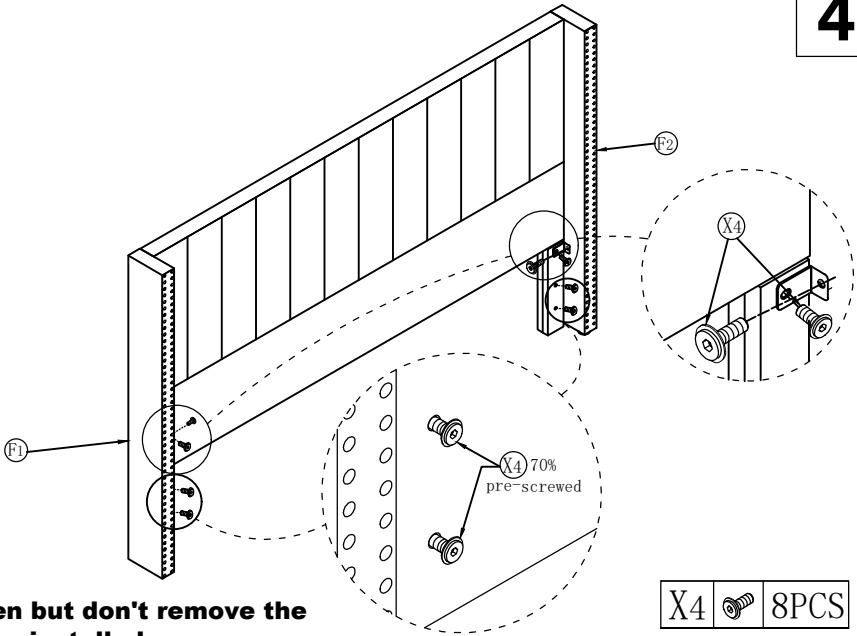
3



Back side

X4		2PCS
X5		1PC

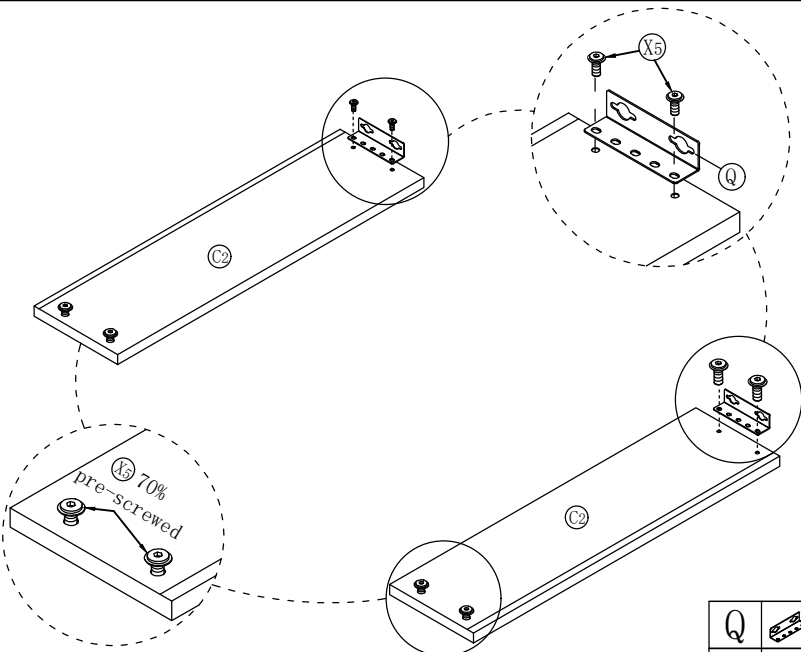
4



Loosen but don't remove the pre-installed screws.

X4		8PCS
----	--	------

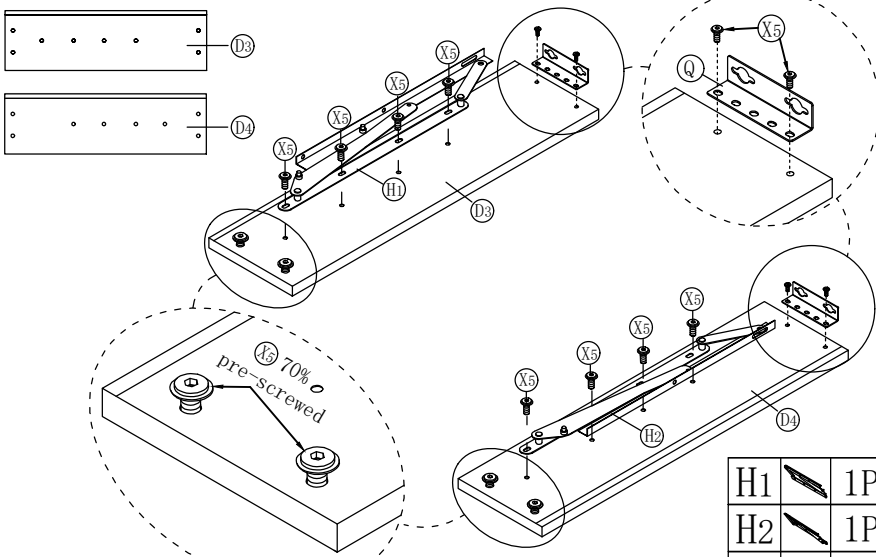
5



Loosen but don't remove the pre-installed screws.

Q		2PCS
X5		8PCS

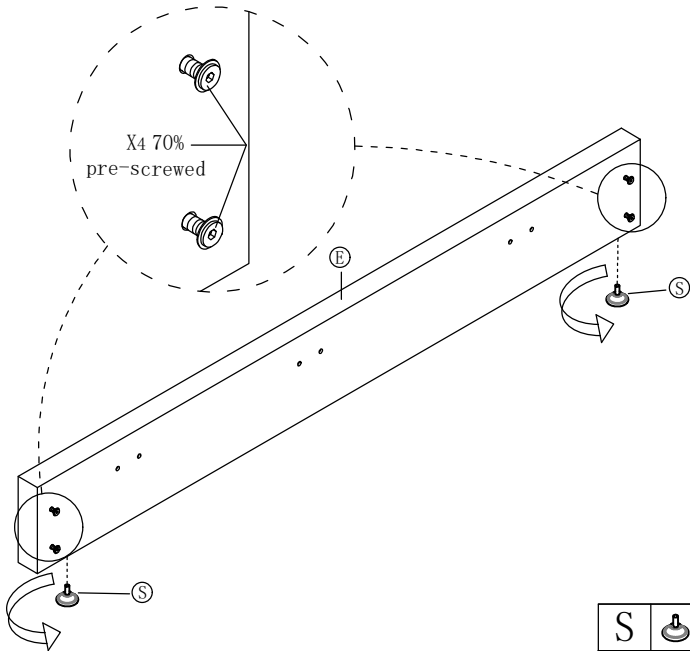
6





Loosen but don't remove the pre-installed screws.

H1		1PC
H2		1PC
Q		2PCS
X5		16PCS

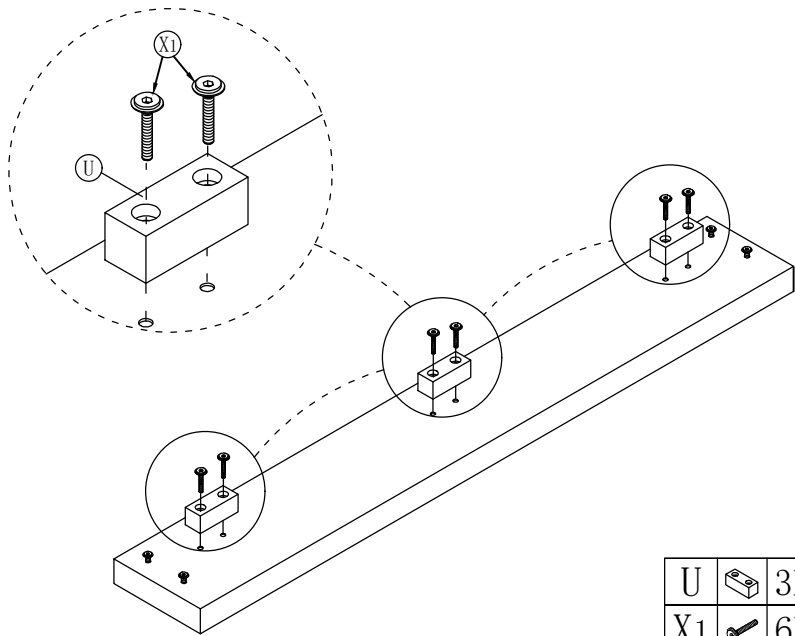
7





Loosen but don't remove the pre-installed screws.

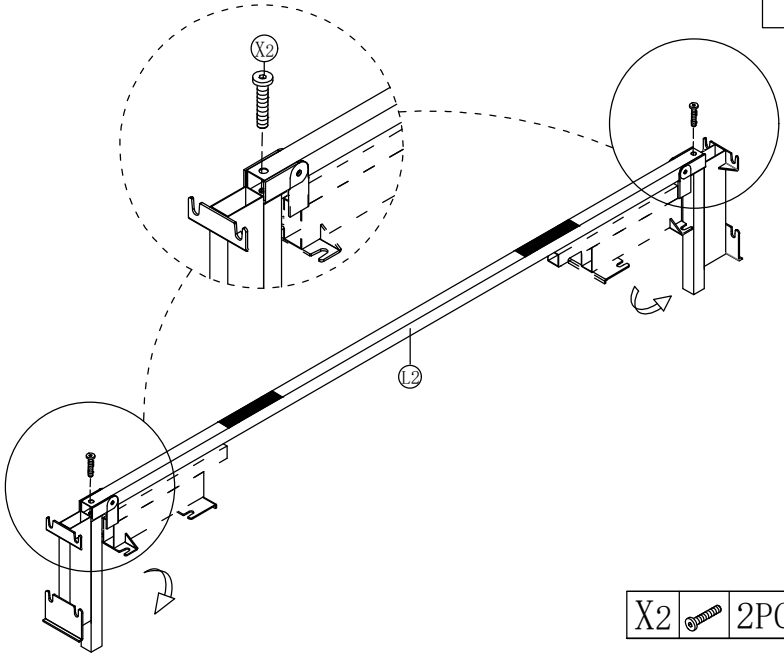
S		2PCS
X4		4PCS


8



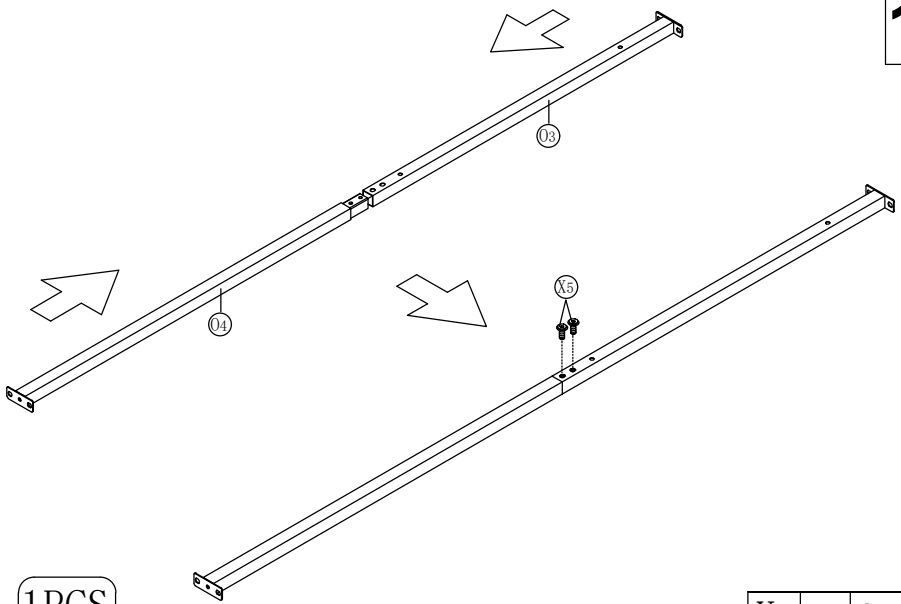
U		3PCS
X1		6PCS

9



X2  2PCS

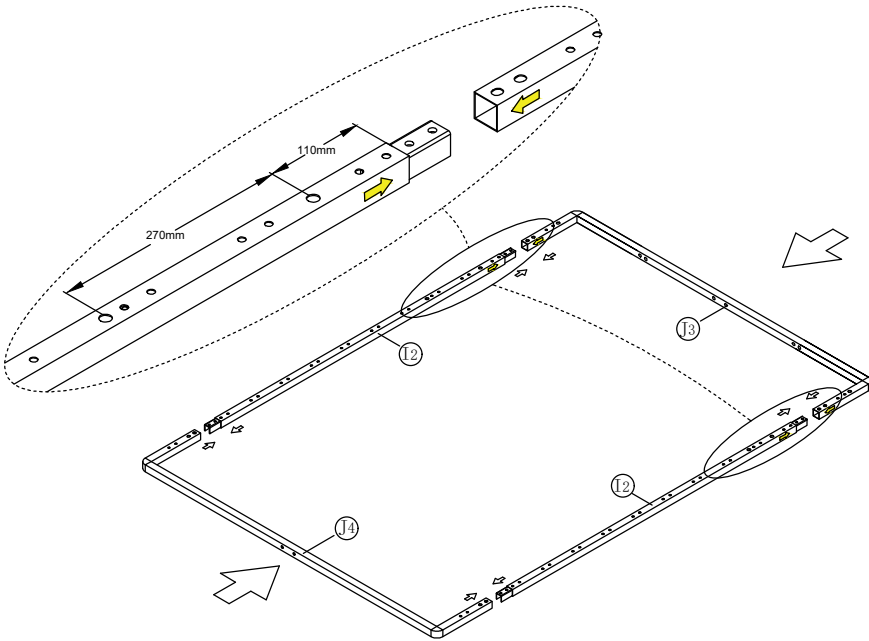
10



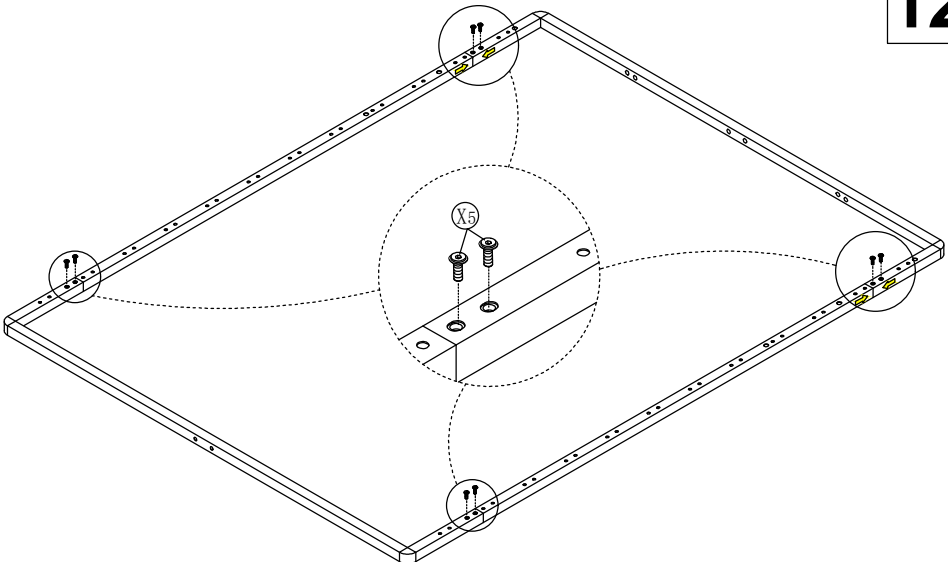
1PCS


X5  2PCS

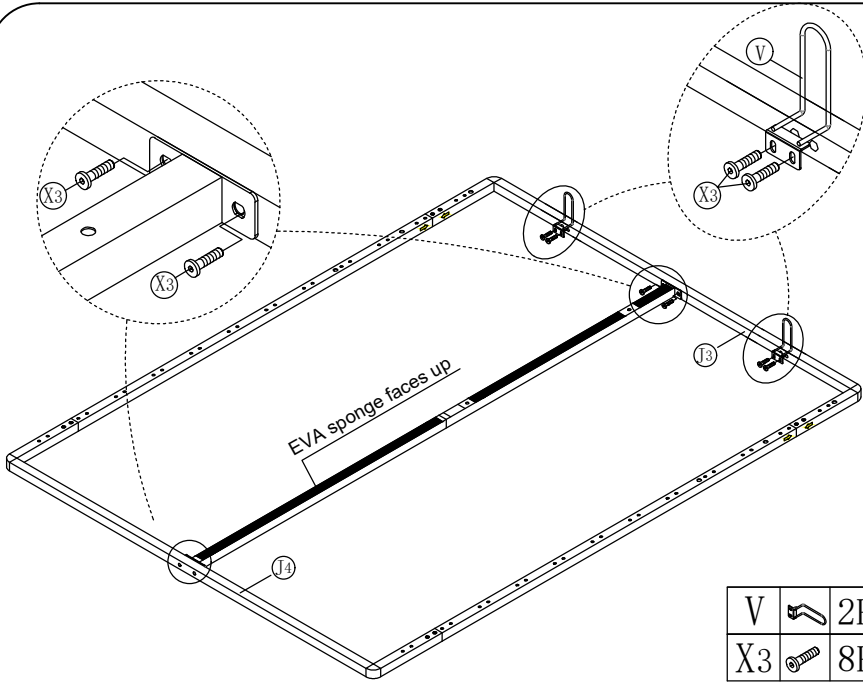
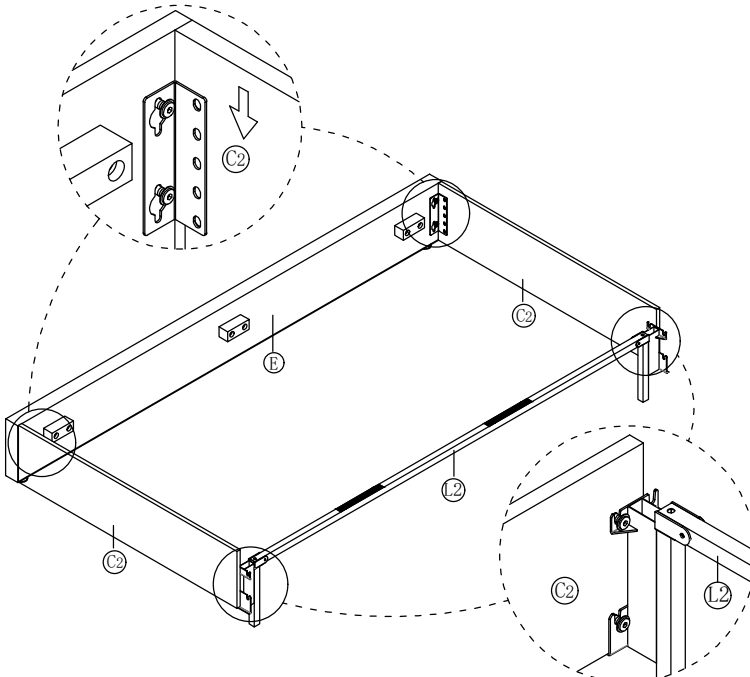
11



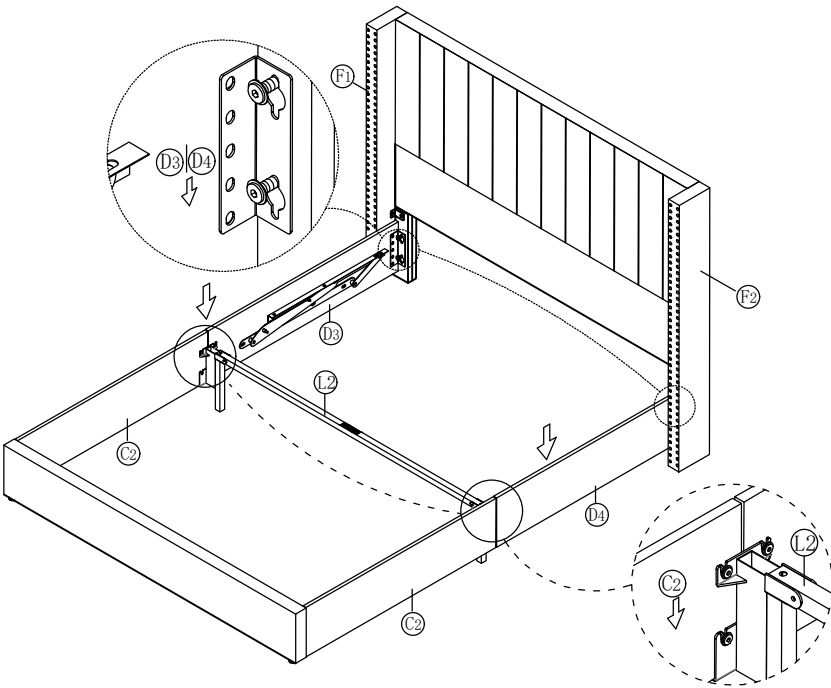
12



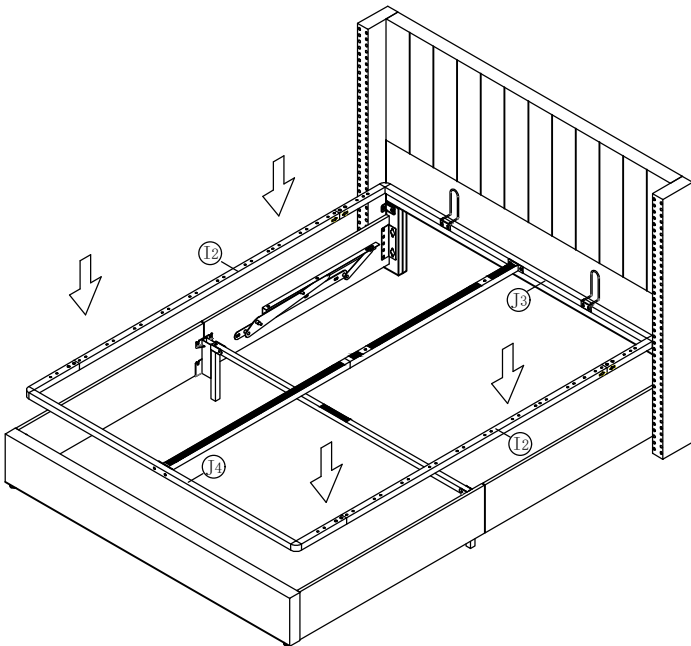
X5		8PCS
----	---	------

13**14**

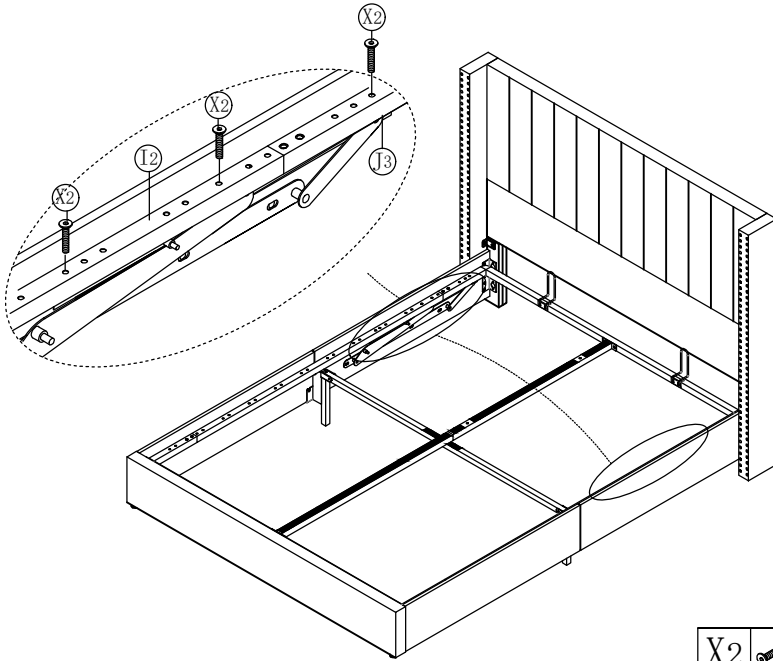
15



16

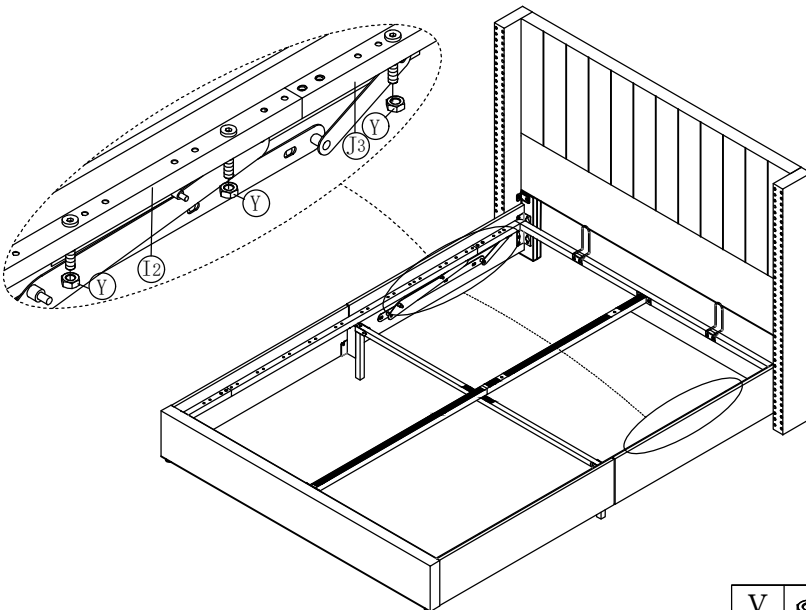



17



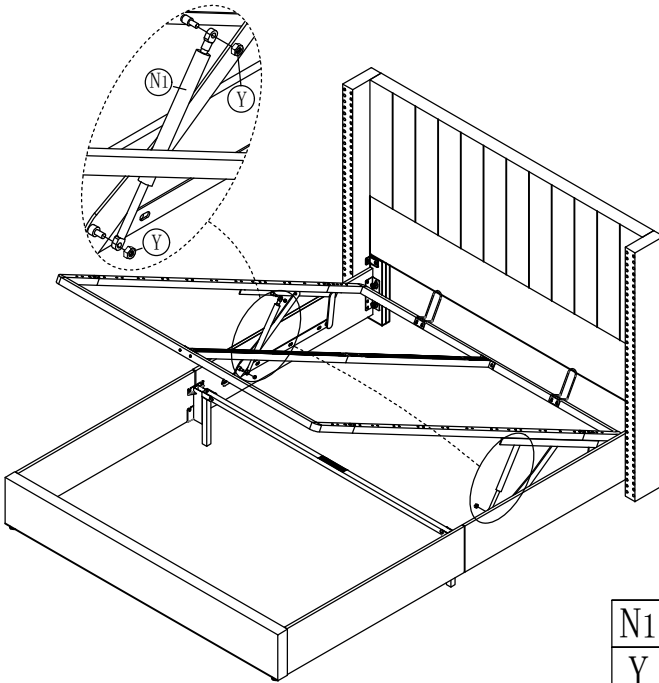
X2  6PCS

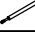

18



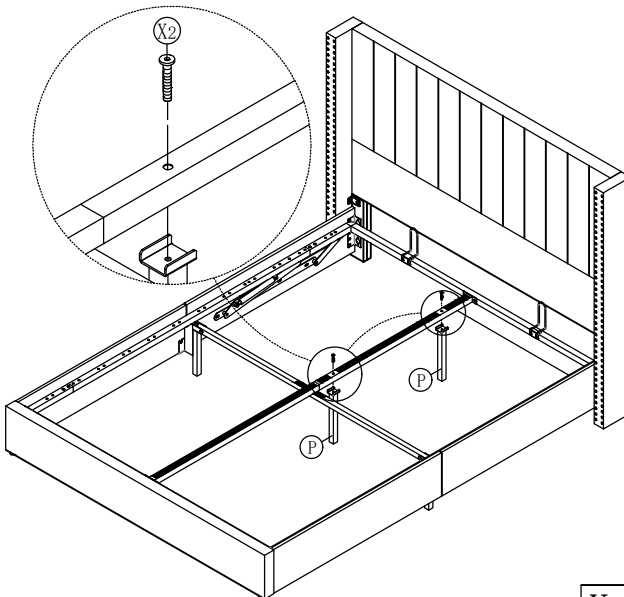
Y  6PCS


19



N1		2PCS
Y		4PCS

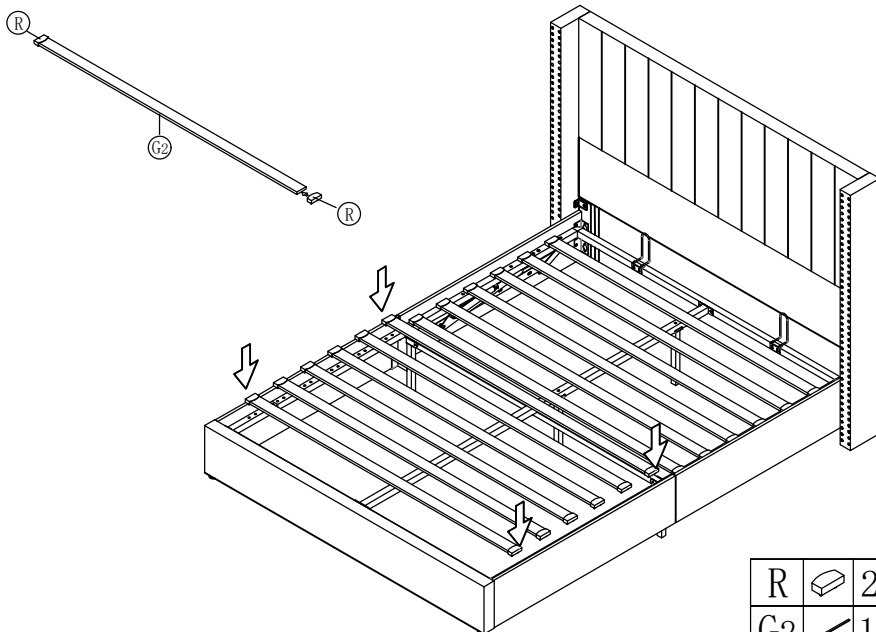
20





X2		2PCS
----	---	------

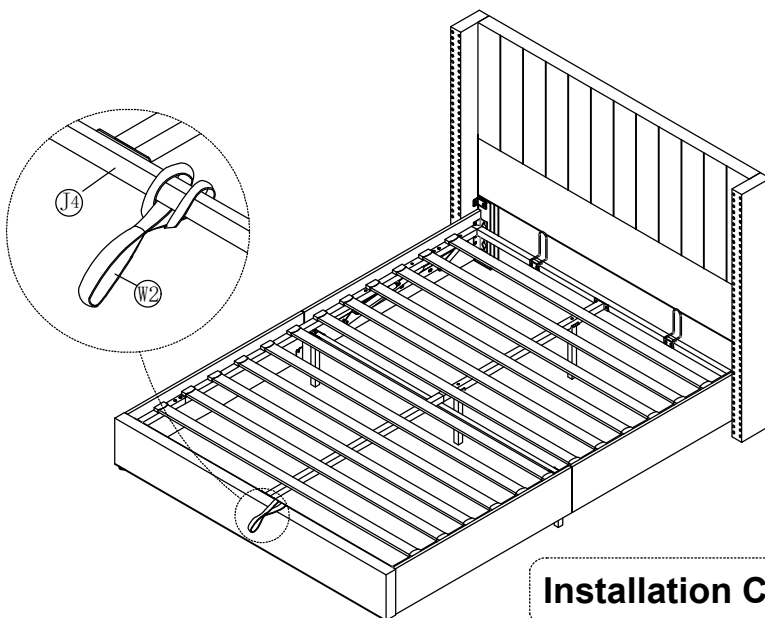
Lock all the screws.

21



R		24PCS
G2		12PCS

22



Installation Complete