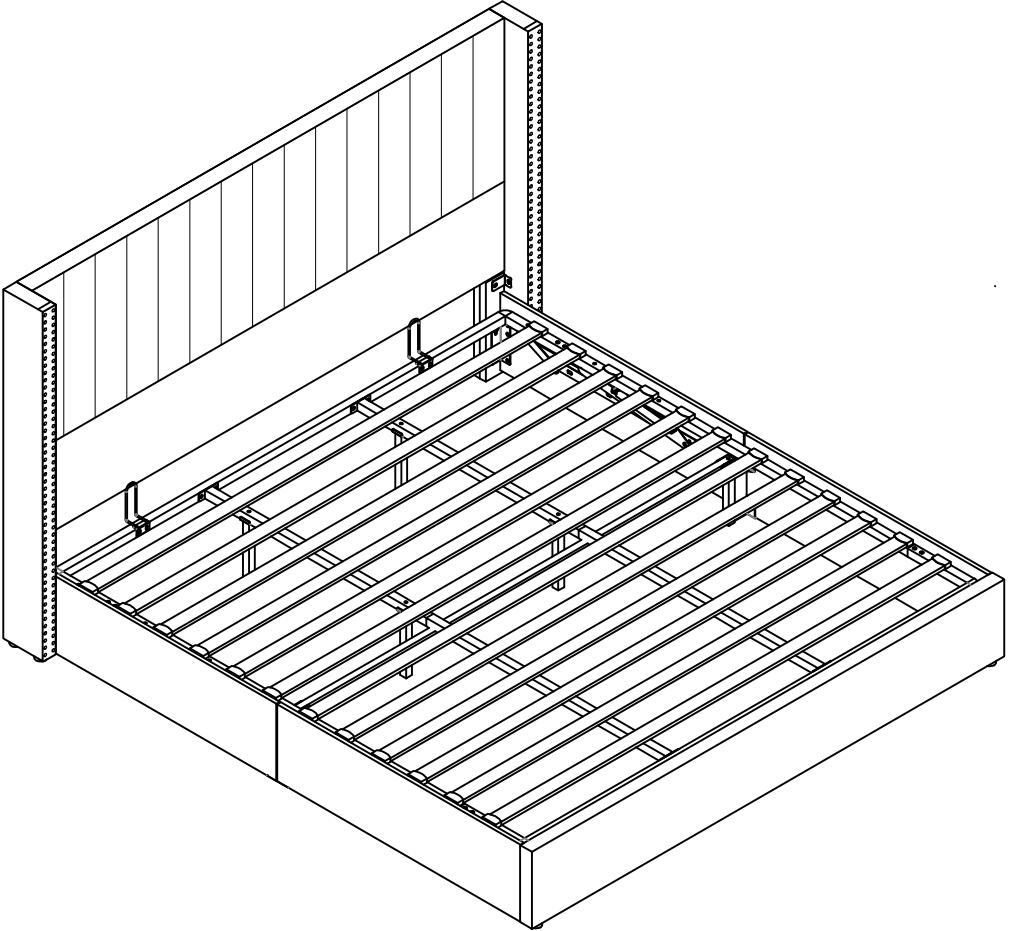


Upholstered Platform Bed with Tufted Wingback Headboard.

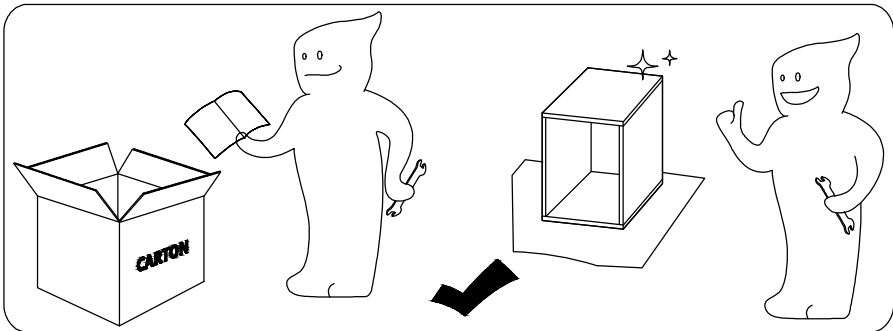
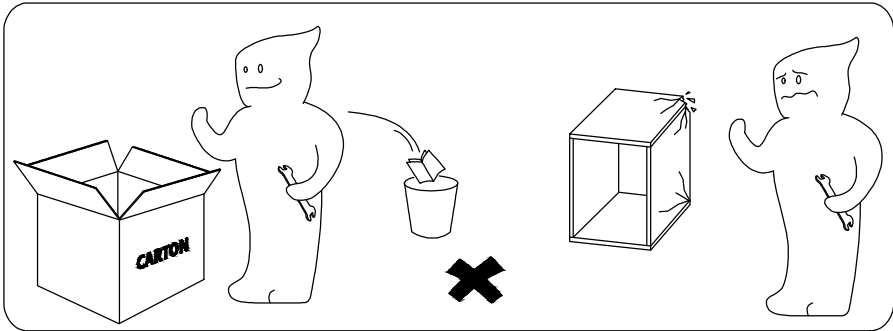


Dear Customers,

Thank you for purchasing our product. Please read this instruction manual carefully after receiving this product. It will help you assemble this product quickly, safely and correctly. You can keep this manual for future reference.

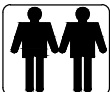
! IMPORTANT

Please follow the instruction manuals and use a pad to protect the product during your assembly.

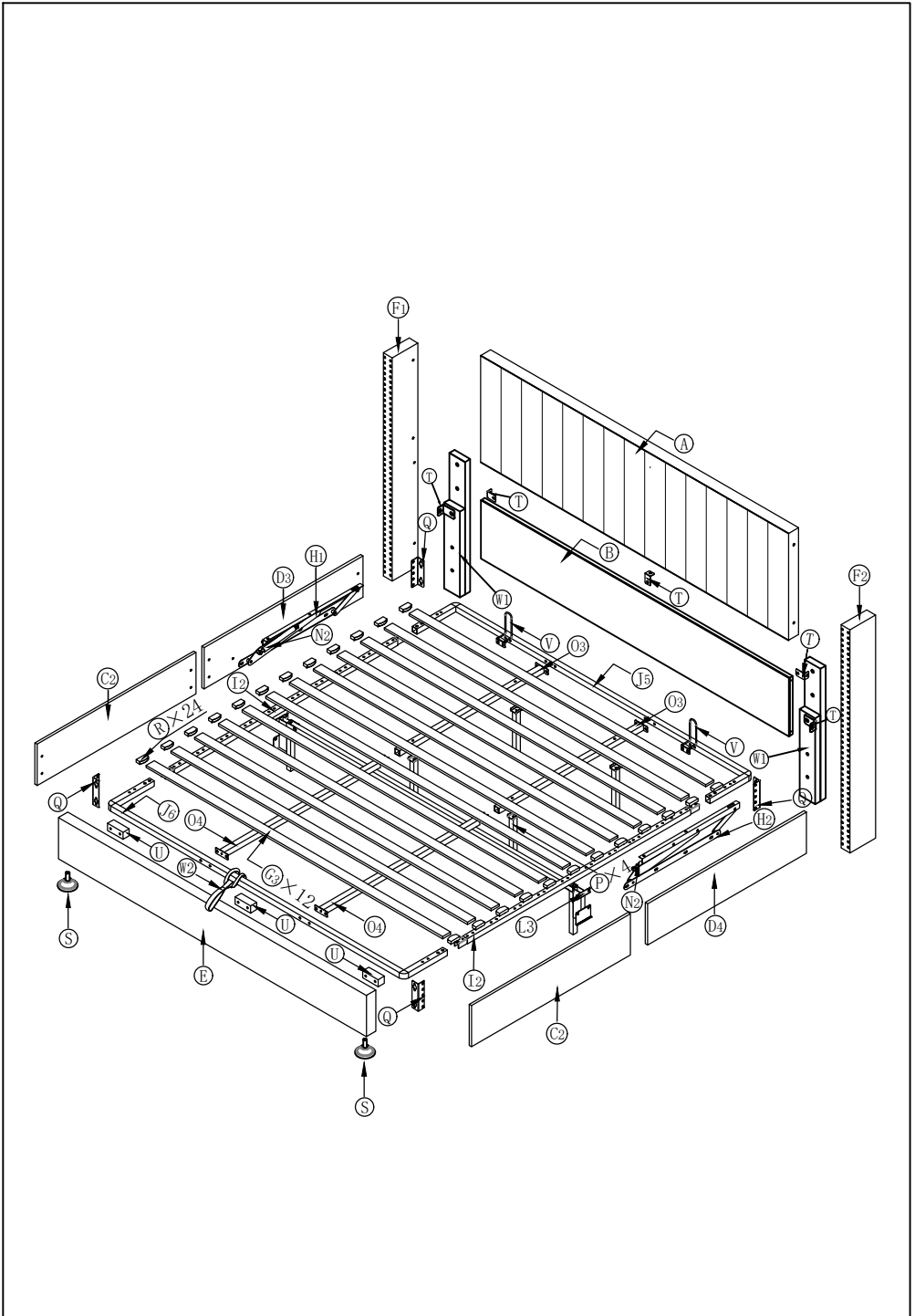


Note:

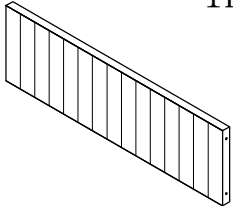
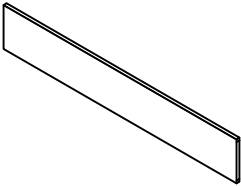
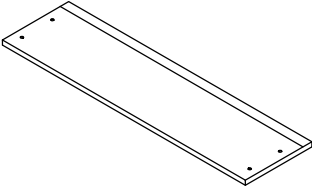
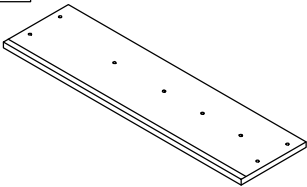
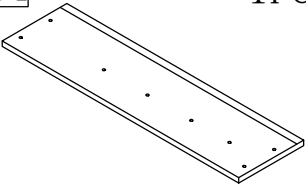
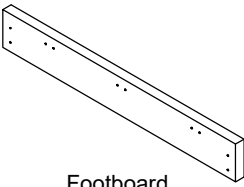
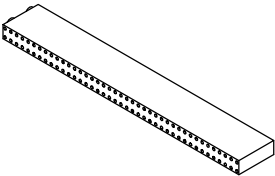
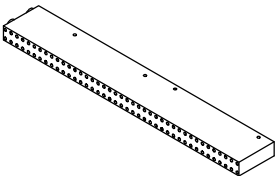
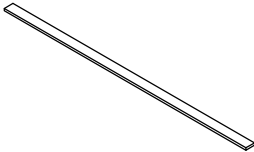
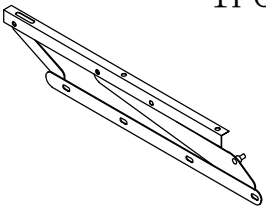
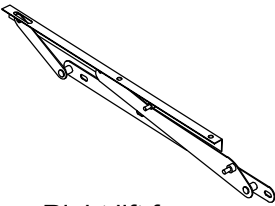
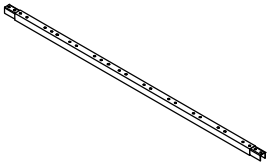
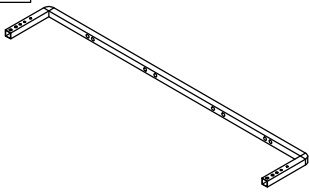
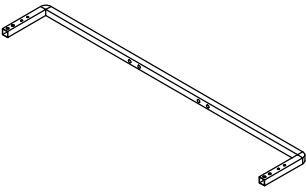
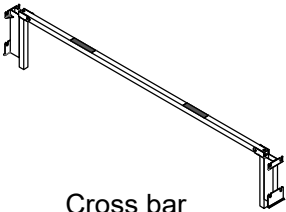
1. Should be assembled on flat ground to keep balance.
2. Before completing the installation, do not tighten the screws.



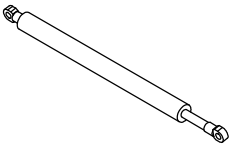
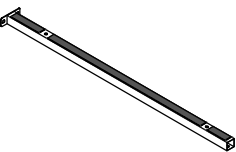
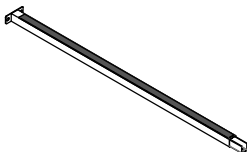
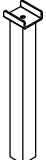
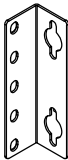
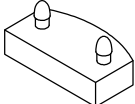
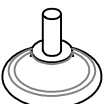
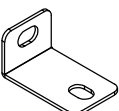
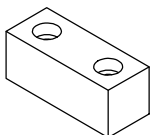
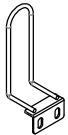


For easier and better assembly, 2 or more adults are required.



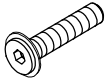
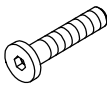
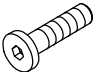
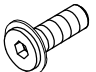

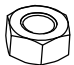


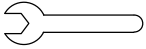
Part list

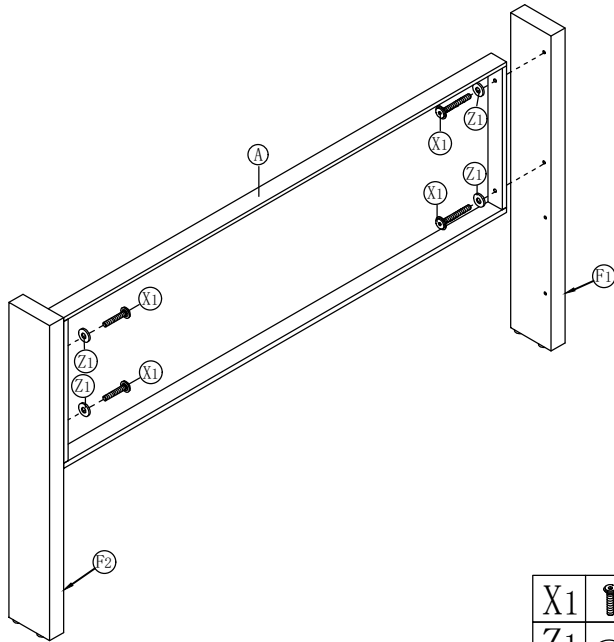
| | | |
|--|--|---|
| <p>A 1PC</p>  <p>Top headboard</p> | <p>B 1PC</p>  <p>Bottom headboard</p> | <p>C2 2PCS</p>  <p>Rear bed side</p> |
| <p>D3 1PC</p>  <p>Left front bed side</p> | <p>D4 1PC</p>  <p>Right front bed side</p> | <p>E 1PC</p>  <p>Footboard</p> |
| <p>F1 1PC</p>  <p>Left wing</p> | <p>F2 1PC</p>  <p>Right wing</p> | <p>G3 12PCS</p>  <p>Slat</p> |
| <p>H1 1PC</p>  <p>Left lift frame</p> | <p>H2 1PC</p>  <p>Right lift frame</p> | <p>I2 2PCS</p>  |
| <p>J5 1PC</p>  | <p>J6 1PC</p>  | <p>L3 1PC</p>  <p>Cross bar</p> |

Part list

| | | | | | |
|--|------|---|------|--|-------|
| N2 | 2PCS | O3 | 2PCS | O4 | 2PCS |
|  | |  | |  | |
| Hydraulic rod | | Front Middle support bar | | Rear middle support bar | |
| P | 4PCS | Q | 4PCS | R | 24PCS |
|  | |  | |  | |
| Support leg | | Connector | | | |
| S | 2PCS | T | 5PCS | U | 3PCS |
|  | |  | |  | |
| Leg | | Connector | | | |
| V | 2PCS | W1 | 2PCS | W2 | 1PC |
|  | |  | |  | |
| | | | | | |

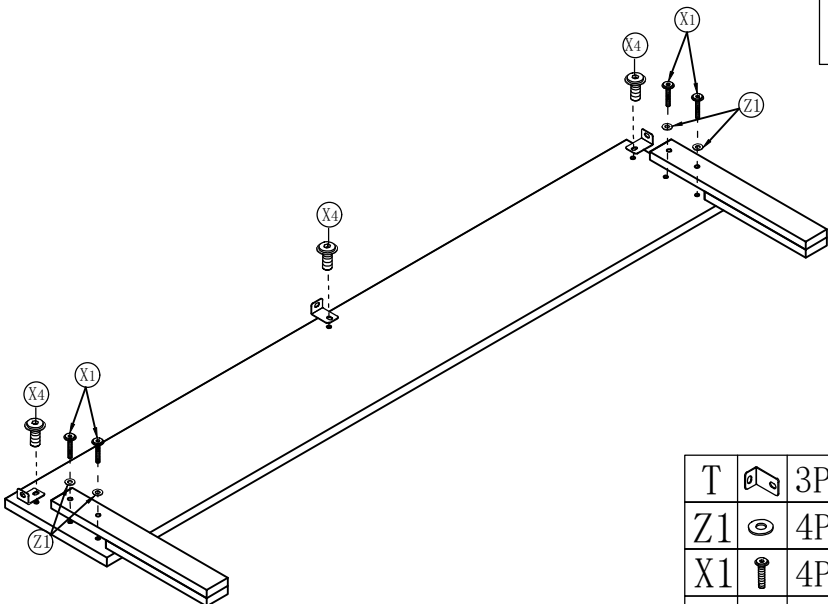
Hardware list

| | | | | | | | |
|--|-------|---|-------|---|-------|---|-------|
| X1 | 14PCS | X2 | 12PCS | X3 | 12PCS | X4 | 17PCS |
|  | |  | |  | |  | |
| M8*50mm | | M8*45mm | | M8*30mm | | M8*25mm | |
| X5 | 37PCS | Y | 10PCS | Z1 | 8PCS | Z2 | 1PC |
|  | |  | |  | |  | |
| M8*18mm | | M8 | | ∅22*∅8.5 | | M8 Spanner | |
| Z3 | 1PC | | | | | | |
|  | | | | | | | |
| | | | | | | | |





1

Back side

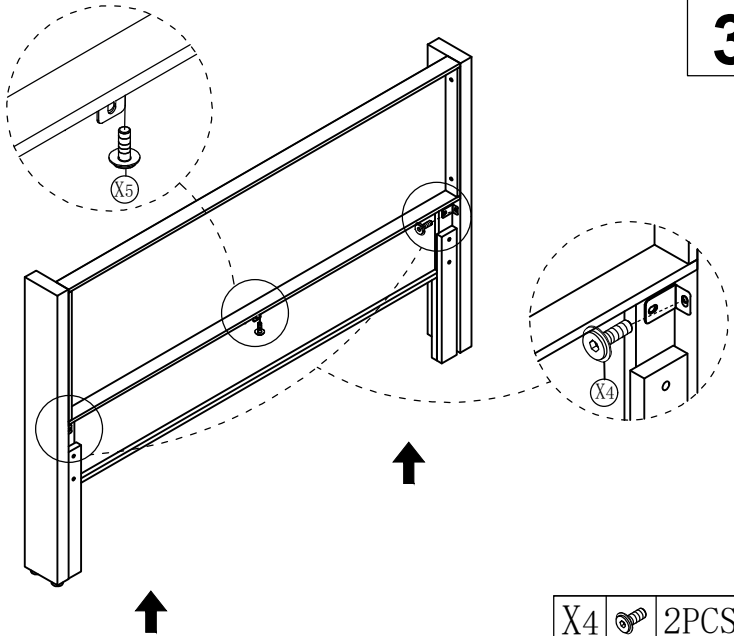
| | | |
|----|---|------|
| X1 |  | 4PCS |
| Z1 |  | 4PCS |

2



Back side

| | | |
|----|---|------|
| T |  | 3PCS |
| Z1 |  | 4PCS |
| X1 |  | 4PCS |
| X4 |  | 3PCS |

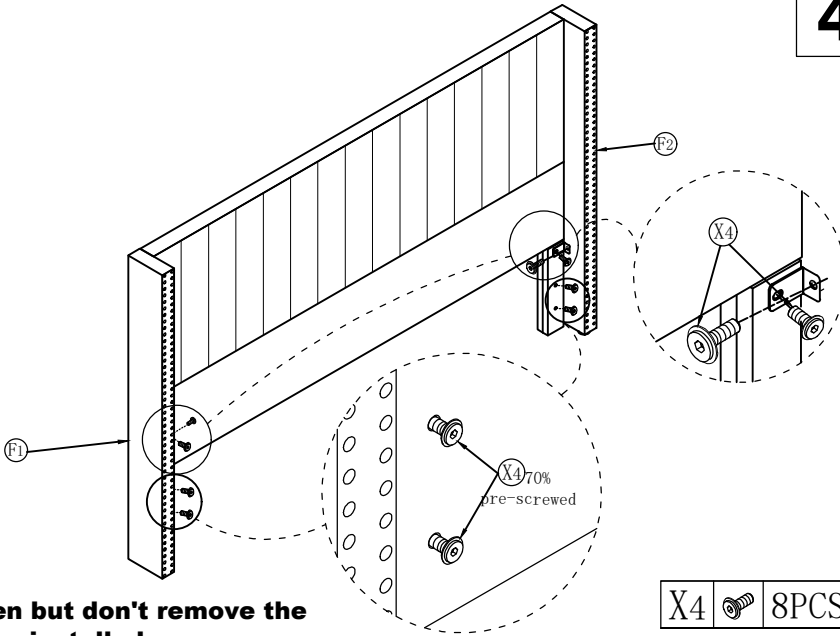
3



Back side

| | | |
|----|---|------|
| X4 |  | 2PCS |
| X5 |  | 1PC |

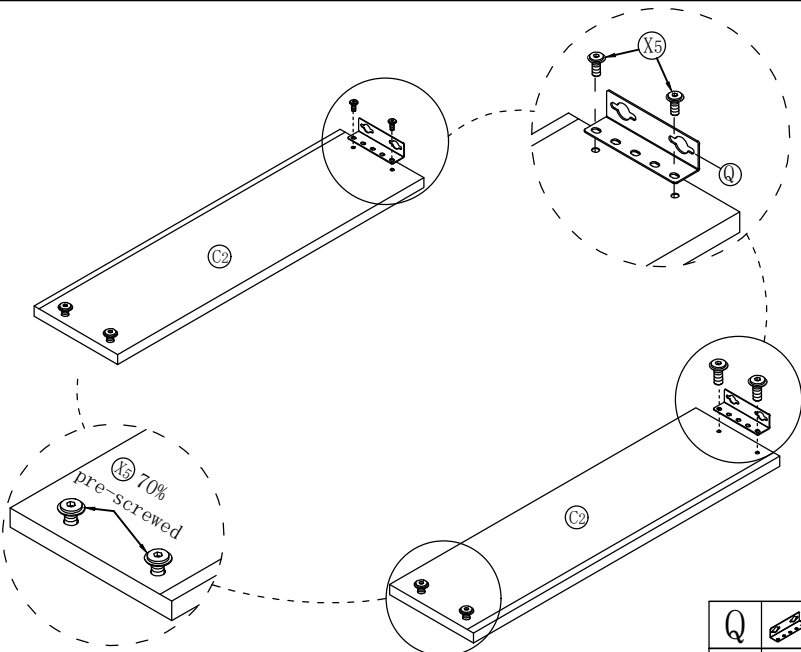
4



Loosen but don't remove the pre-installed screws.

| | | |
|----|---|------|
| X4 |  | 8PCS |
|----|---|------|

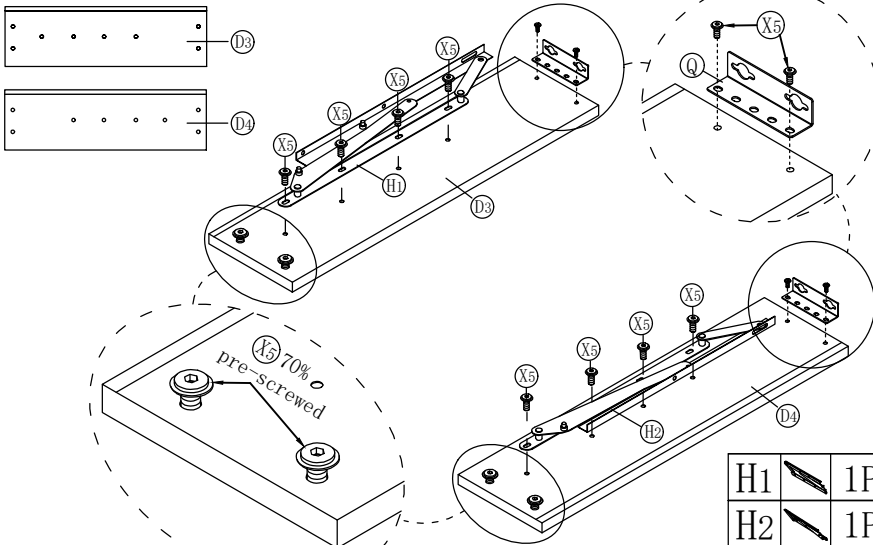
5



Loosen but don't remove the pre-installed screws.

| | | |
|----|--|------|
| Q | | 2PCS |
| X5 | | 8PCS |

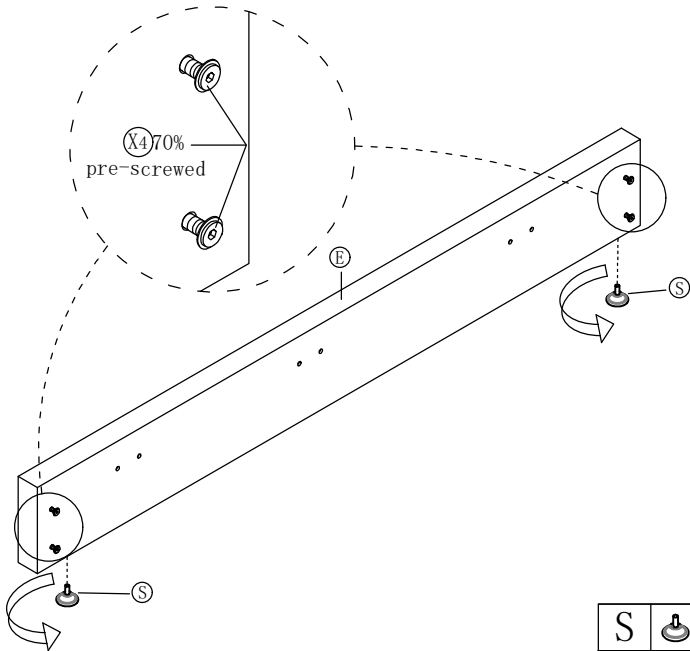
6



Loosen but don't remove the pre-installed screws.

| | | |
|----|--|-------|
| H1 | | 1PC |
| H2 | | 1PC |
| Q | | 2PCS |
| X5 | | 16PCS |

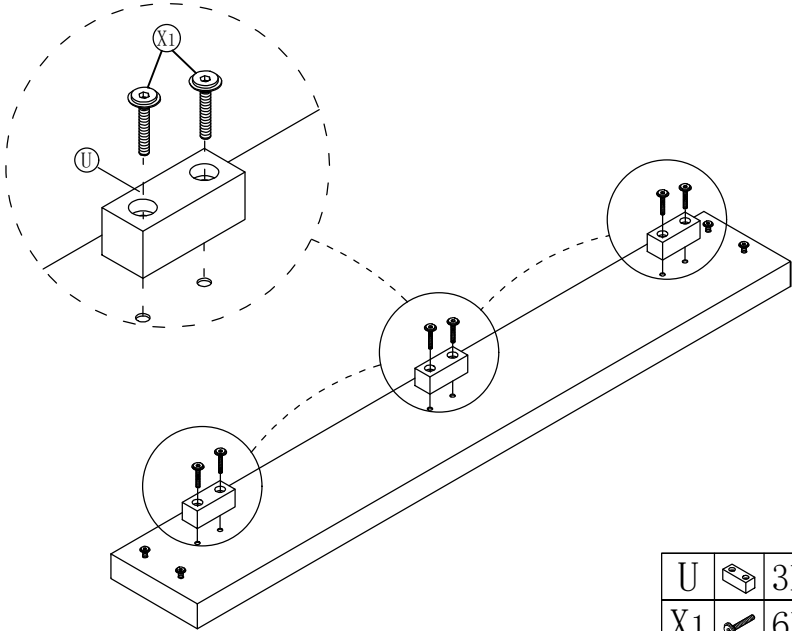
7



| | | |
|----|--|------|
| S | | 2PCS |
| X4 | | 4PCS |

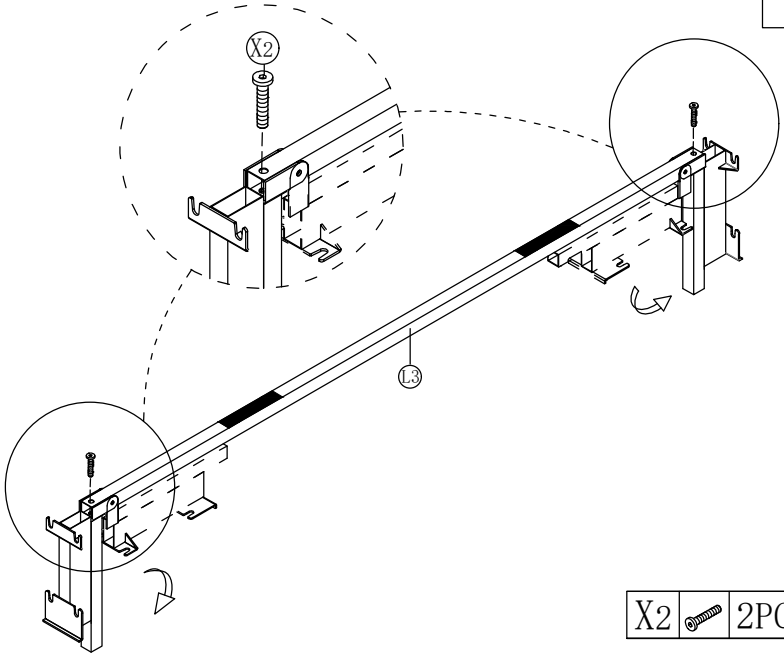
Loosen but don't remove the pre-installed screws.


8



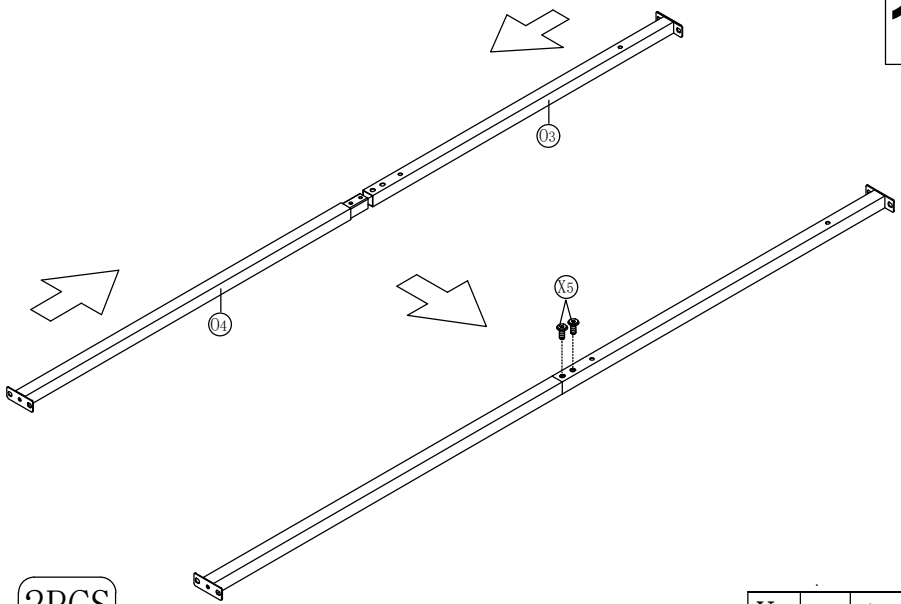
| | | |
|----|--|------|
| U | | 3PCS |
| X1 | | 6PCS |

9




X2  2PCS

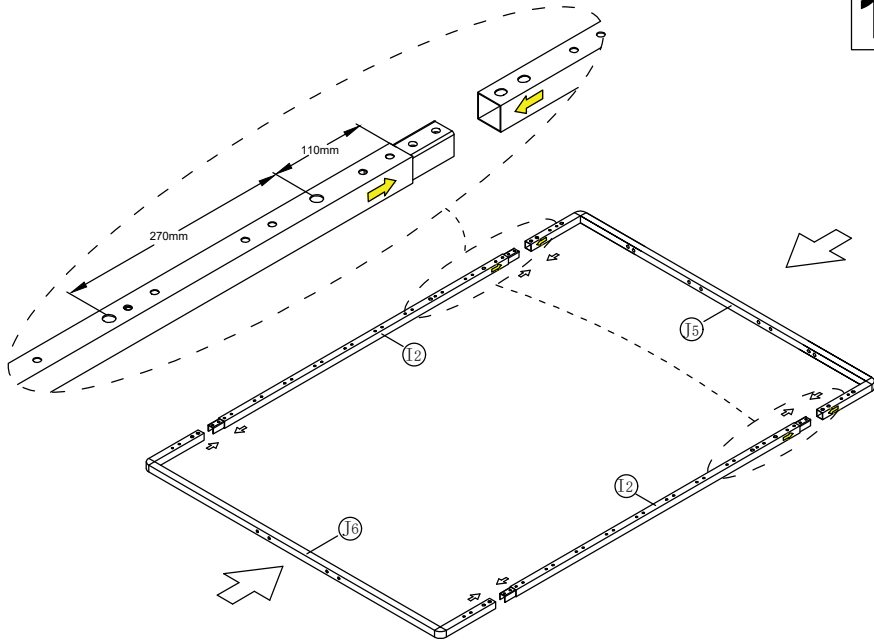
10



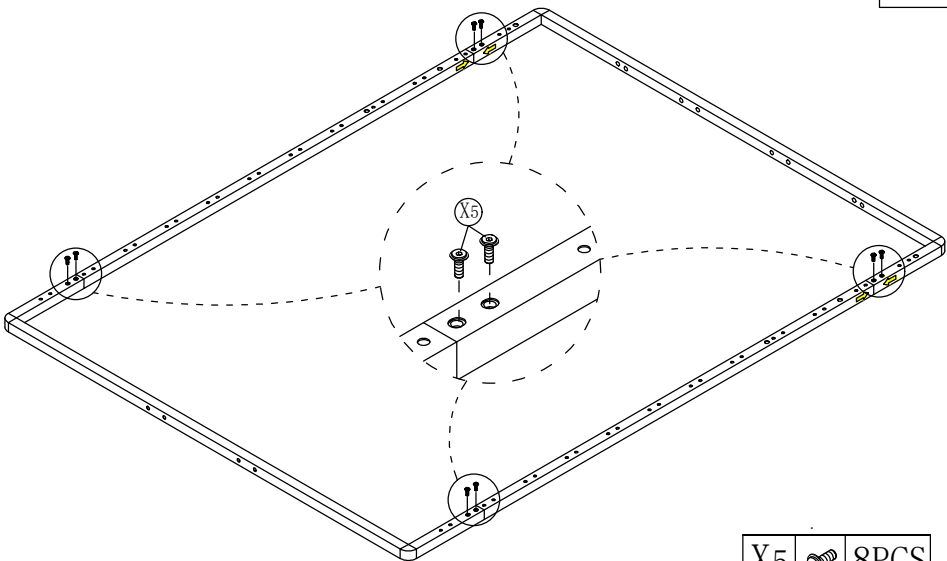
2PCS

X5  4PCS

11

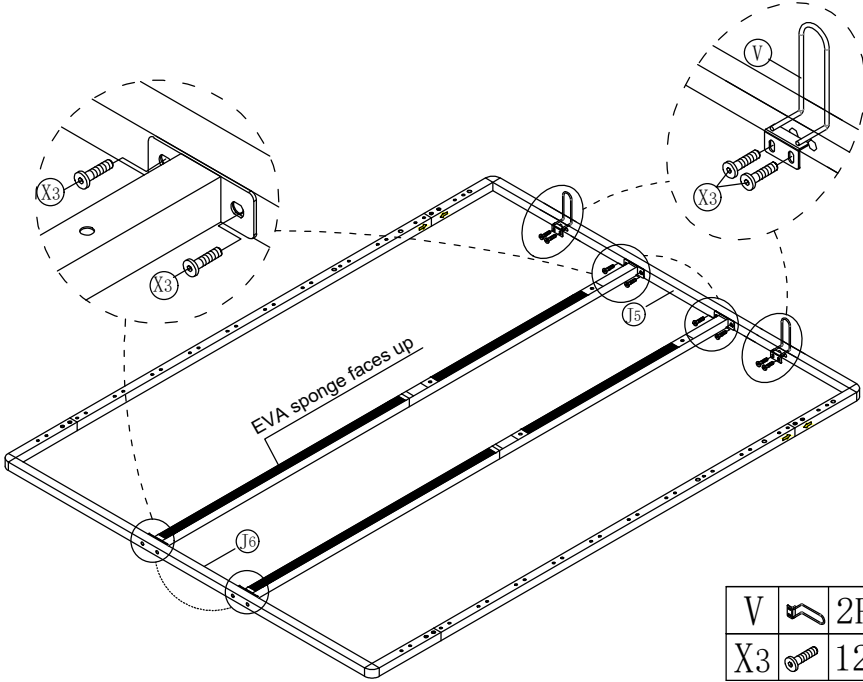


12

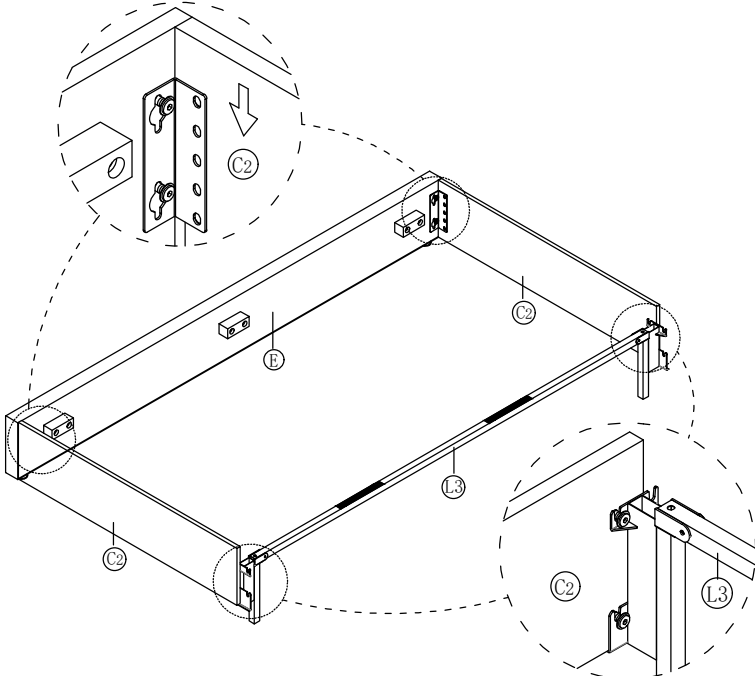


X5 8PCS

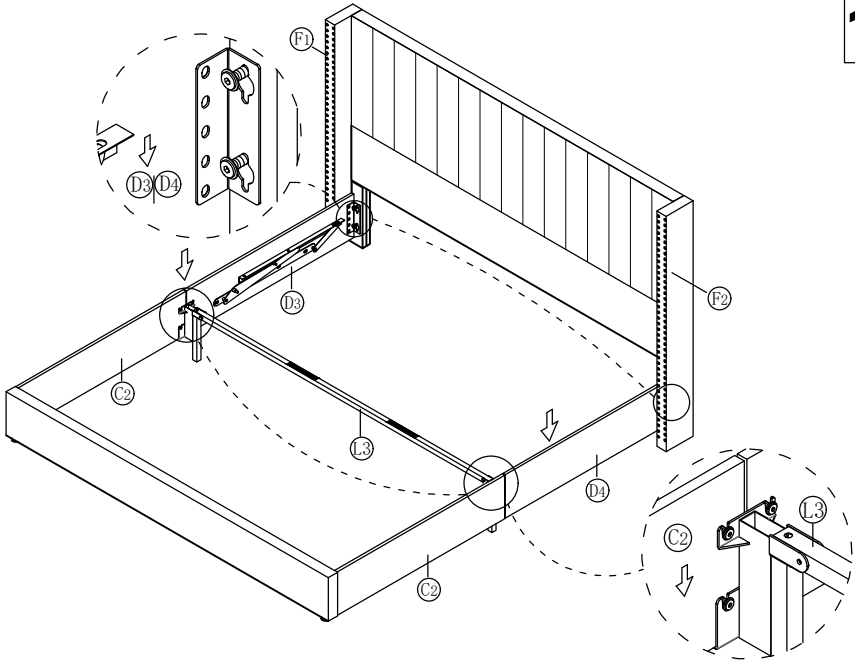
13



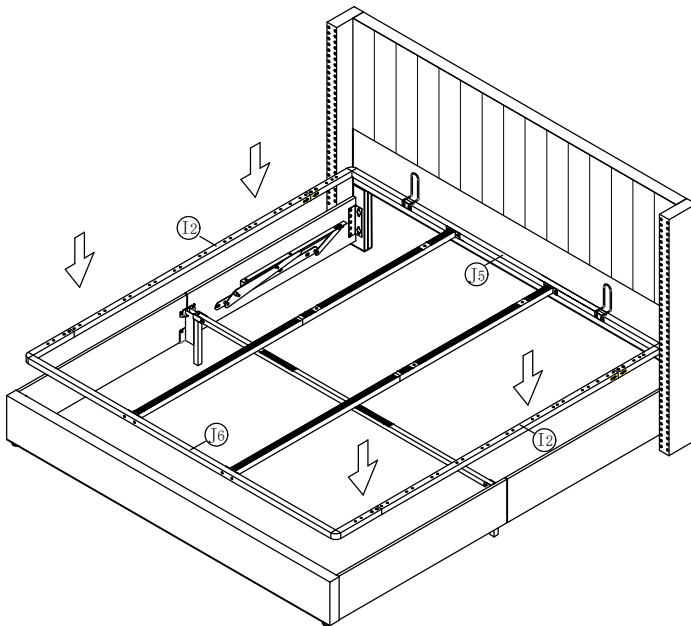
14



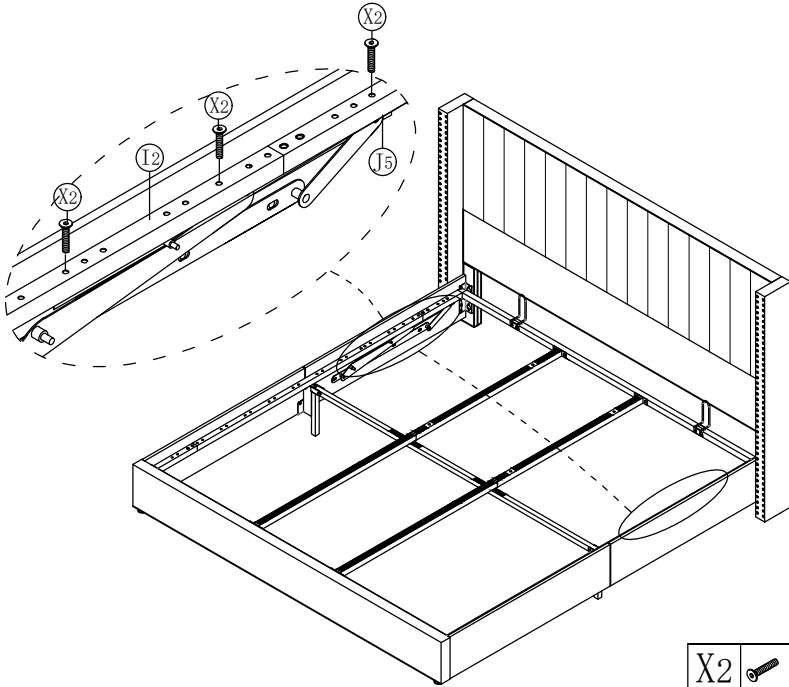
15



16

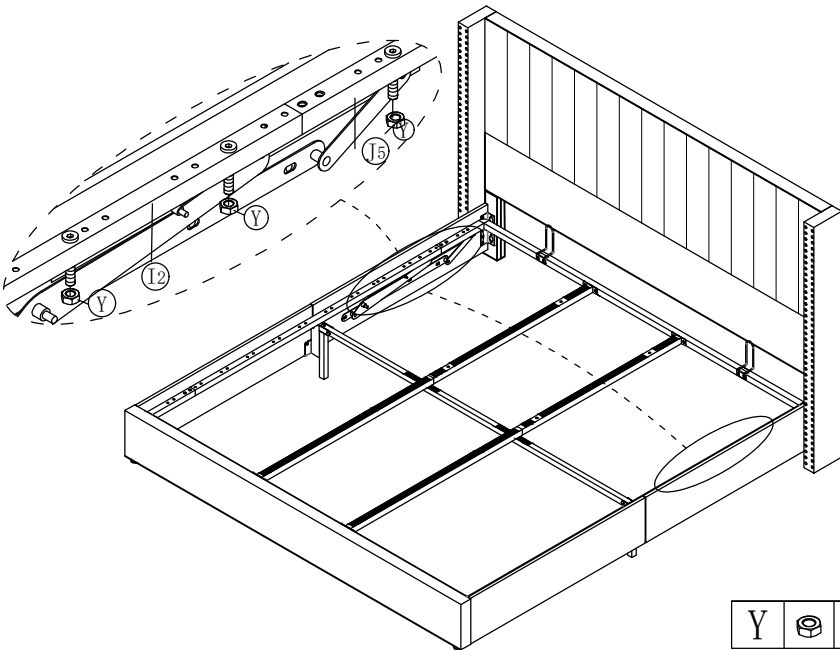



17



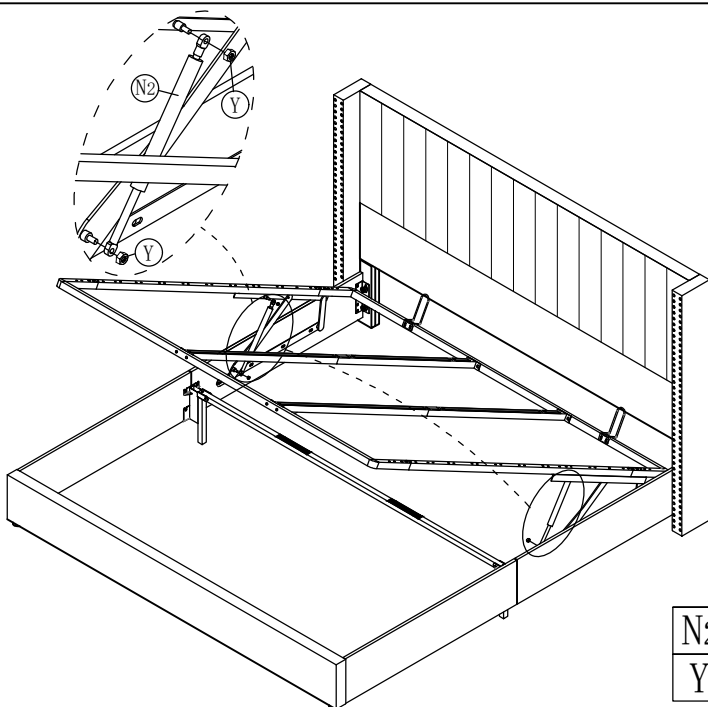
X2  6PCS



18



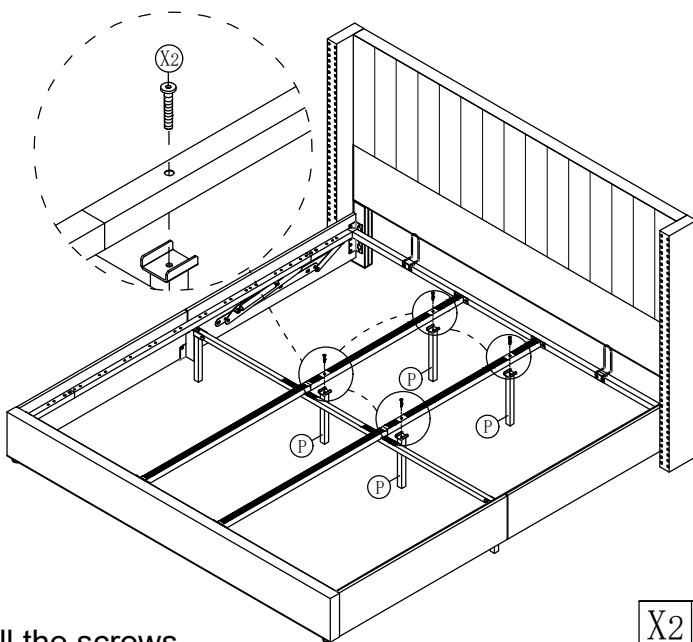
Y  6PCS


19



| | | |
|----|---|------|
| N2 |  | 2PCS |
| Y |  | 4PCS |

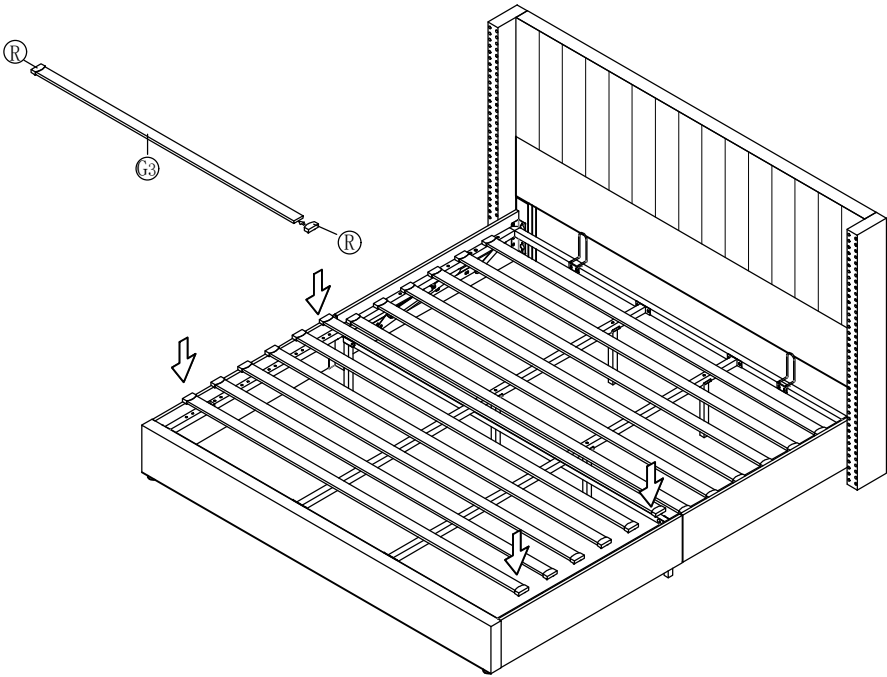
20



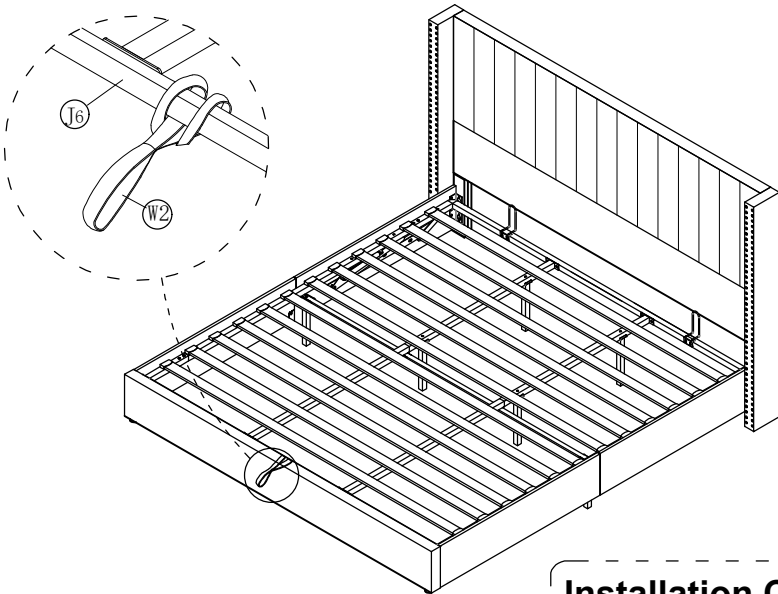
| | | |
|----|---|------|
| X2 |  | 4PCS |
|----|---|------|

Lock all the screws.

21



22



Installation Complete