

## Velvet Upholstered Bed with Gold Trim



### Friendly Customer Service

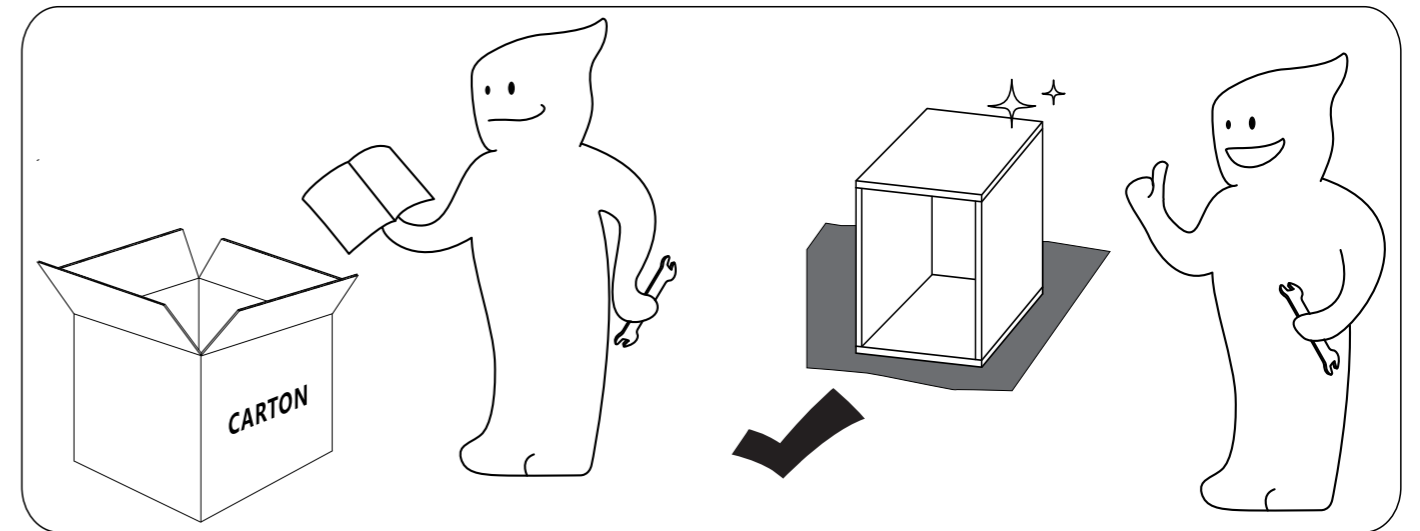
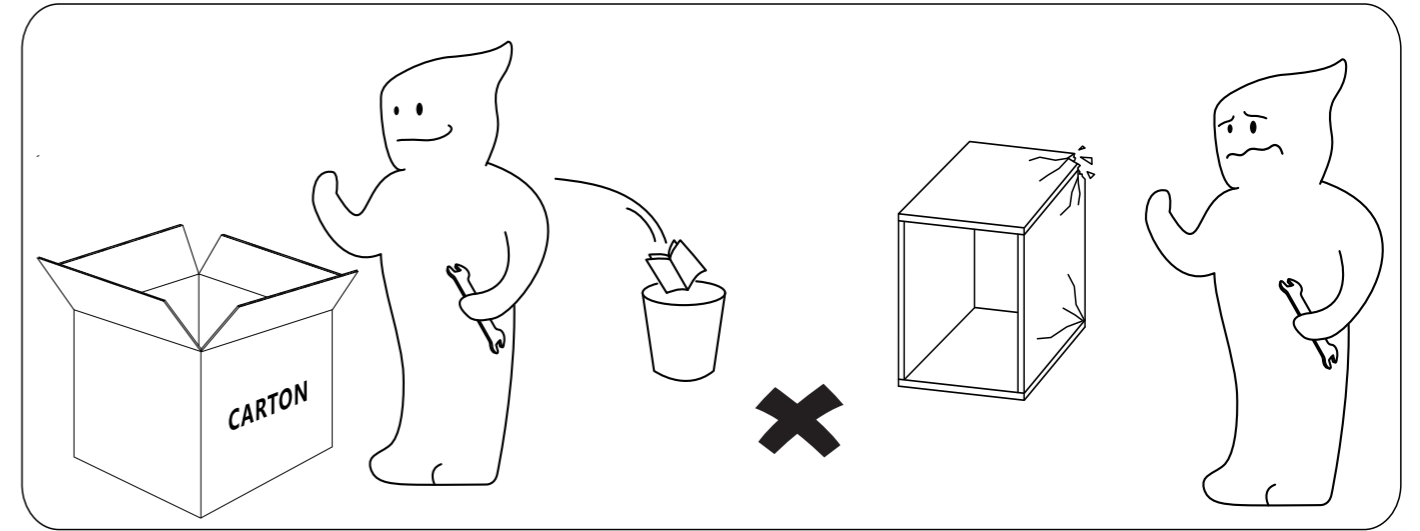
Satisfaction Guarantees: Any problems with assembly, quality, or return, please feel free to contact us directly.

### Contact us

Phone: +1 (901) 347-2181 (US) Mon-Fri 9am - 5pm (PST)  
 E-Mail: [cs@howedirect.com](mailto:cs@howedirect.com) (Get efficient feedback within 12 hours)



Please follow the instruction manuals and use a pad to protect the product during your assembly.



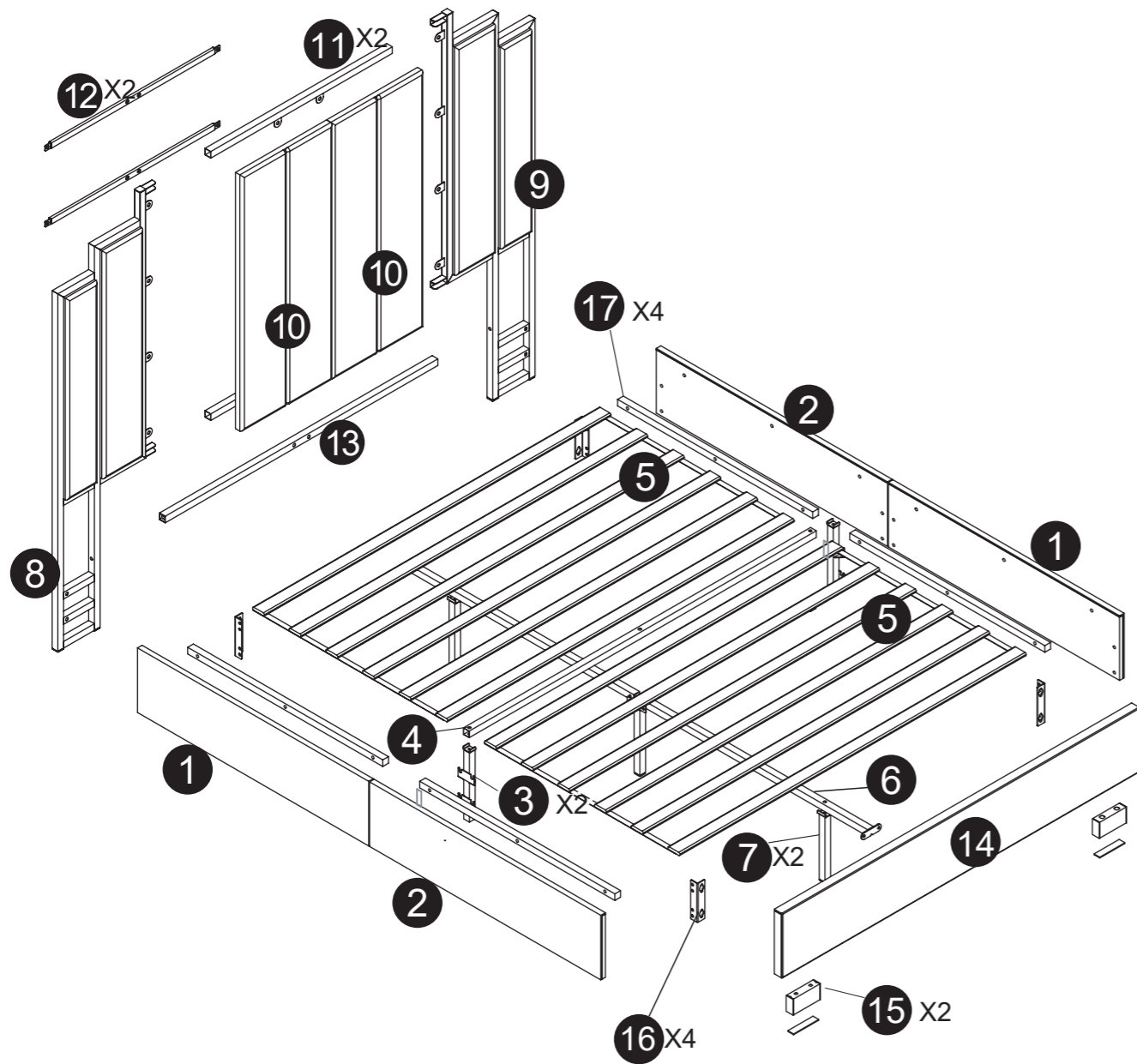
**Note:**

1. Should be assembled on flat ground to keep balance.
2. Before completing the installation, do not tighten the screws.



For easier and better assembly, **2** or more adults are required.

# ASSEMBLY INSTRUCTIONS

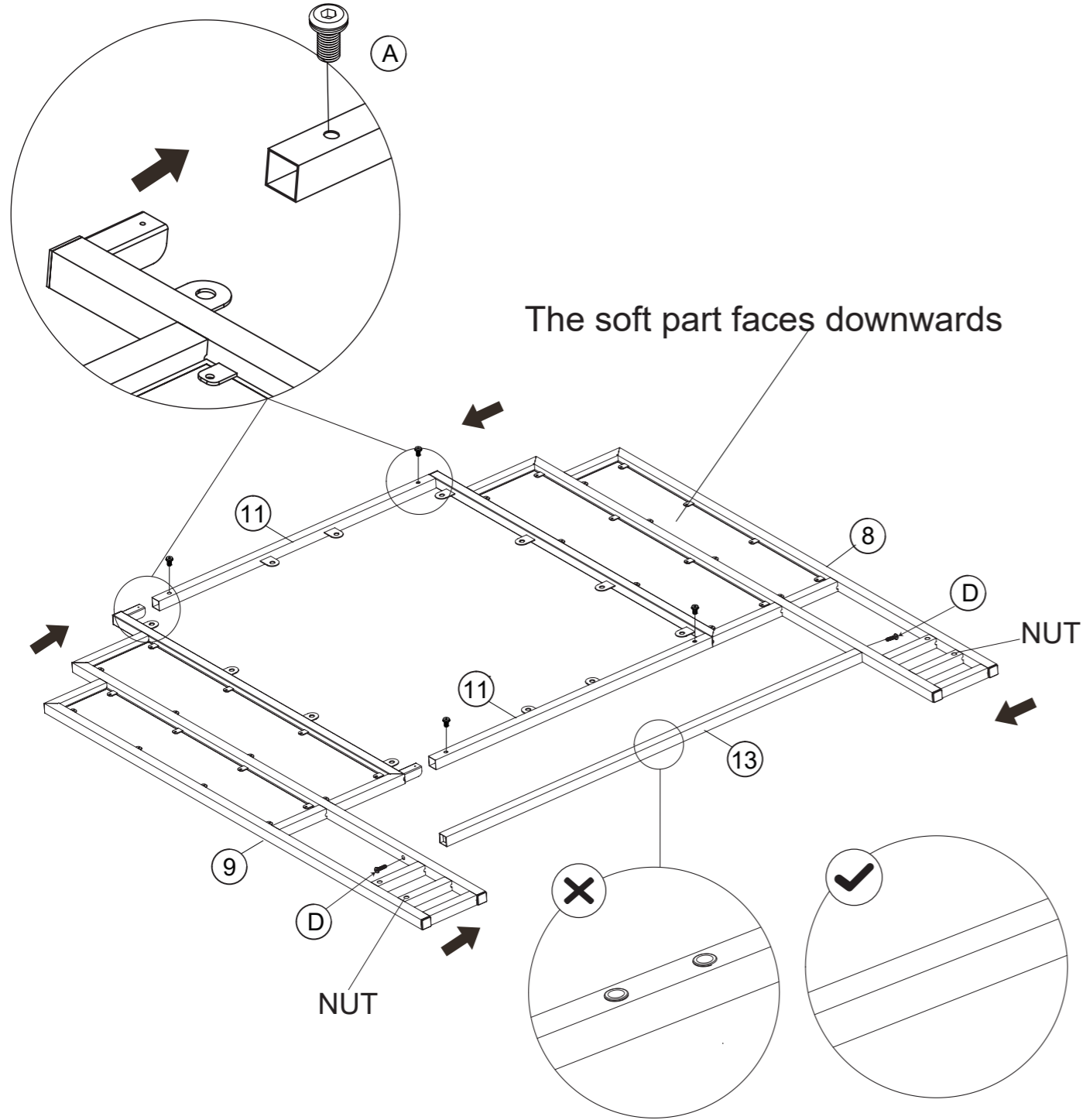


# ASSEMBLY INSTRUCTIONS

## PARTS LIST

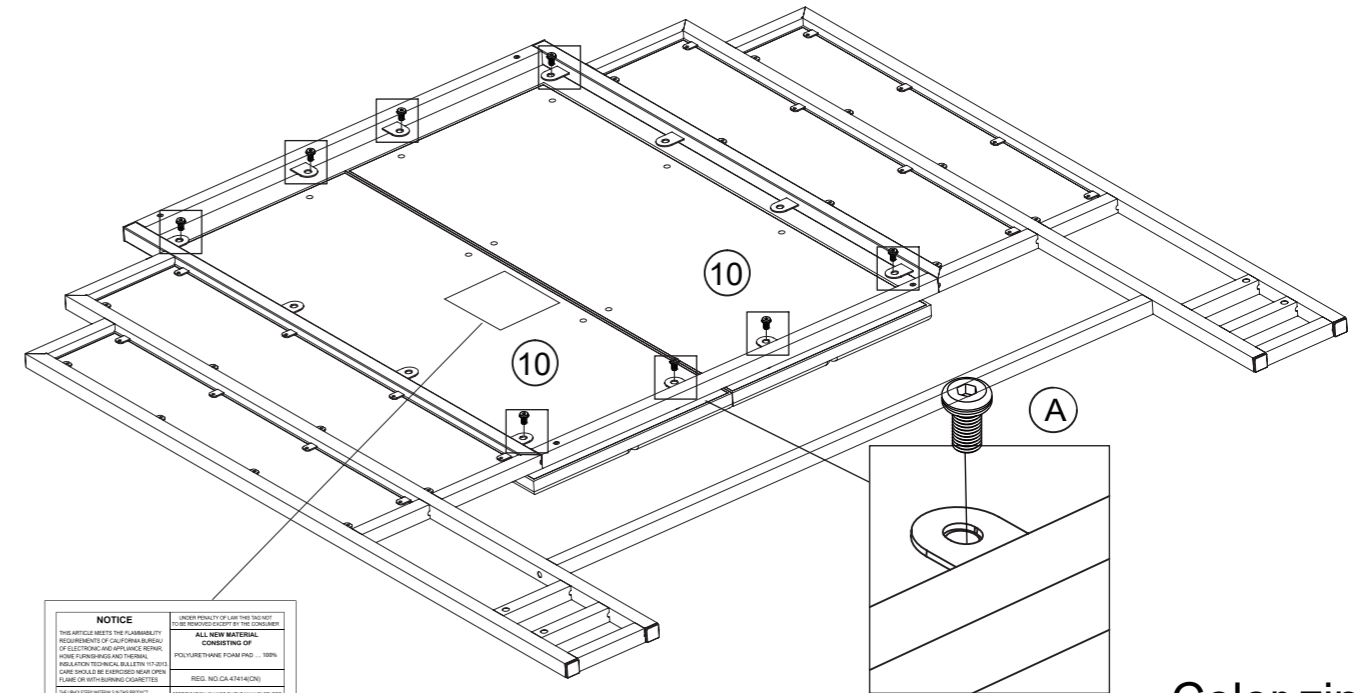
 2PCS	 2PCS	 2PCS
 1PC	 2PCS	 1PC
 2PCS	 1PC	 1PC
 2PCS	 2PCS	 2PCS
 1PC	 1PC	 2PCS
 4PCS	 4PCS	 16PCS
 4PCS	 32PCS	 4PCS
 18PCS	 1PC	 1PC
		 2PCS

1



- Color zinc
- |   |  |      |   |  |      |
|---|--|------|---|--|------|
| D |  | 2PCS | A |  | 4PCS |
|---|--|------|---|--|------|

2



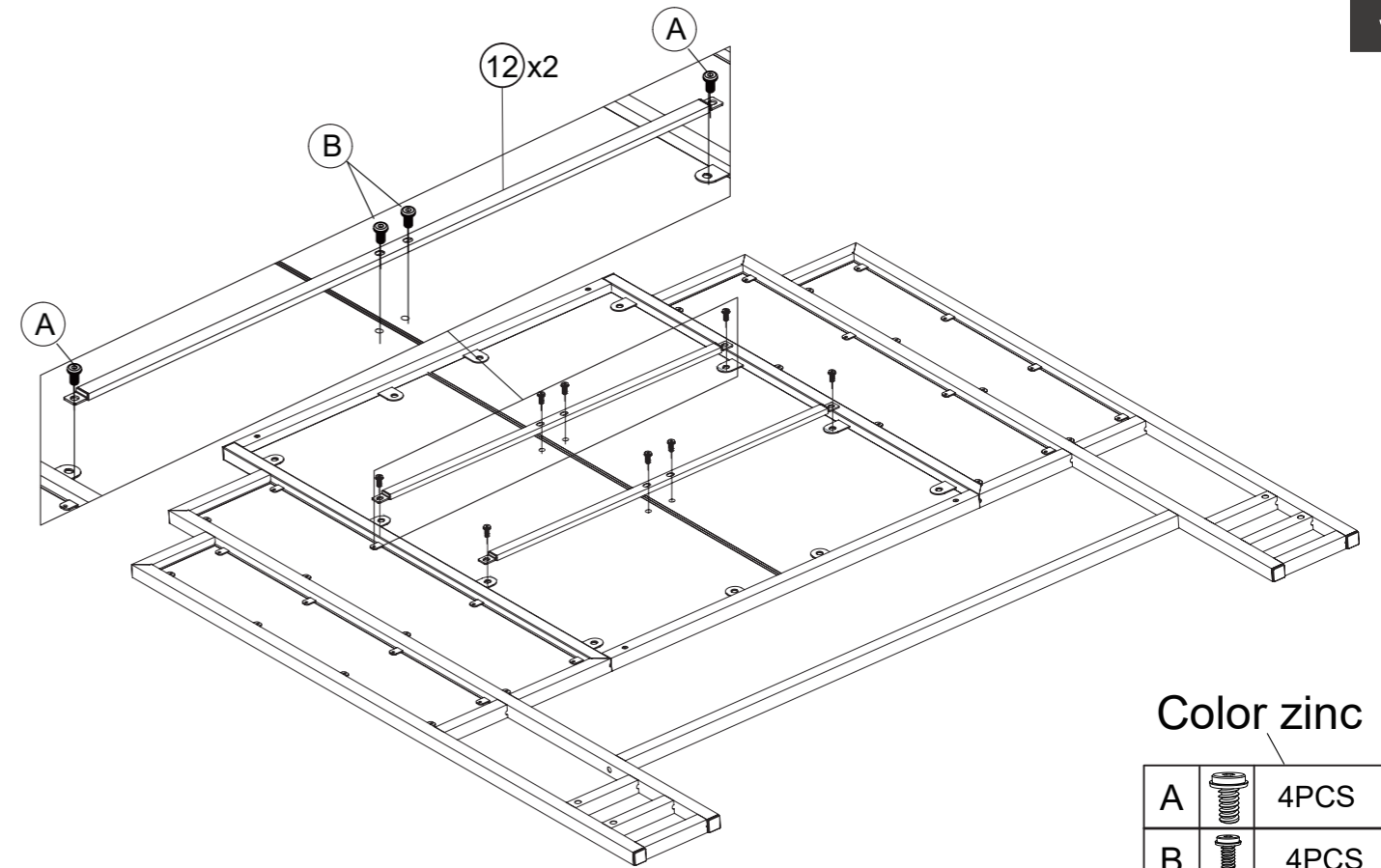
**NOTICE**  
 THIS SPECIFICATION IS THE PROPERTY OF THE MANUFACTURER AND IS NOT TO BE REPRODUCED OR TRANSMITTED IN ANY FORM OR BY ANY MEANS, ELECTRONIC OR MECHANICAL, INCLUDING PHOTOCOPYING, RECORDING, OR BY ANY INFORMATION STORAGE AND RETRIEVAL SYSTEM. THE USER SHALL BE RESPONSIBLE FOR OBTAINING ALL NECESSARY PERMITS AND APPROVALS FROM THE APPROPRIATE AUTHORITIES. THE USER SHALL BE RESPONSIBLE FOR OBTAINING ALL NECESSARY PERMITS AND APPROVALS FROM THE APPROPRIATE AUTHORITIES. THE USER SHALL BE RESPONSIBLE FOR OBTAINING ALL NECESSARY PERMITS AND APPROVALS FROM THE APPROPRIATE AUTHORITIES.

**ALL NEW MATERIAL**  
 CONSISTING OF  
 POLYURETHANE FOAM PAD - 100%  
 (REG. NO. CA 4748400)

CERTIFICATION MADE BY THE MANUFACTURER  
 THAT THE MATERIAL IS MANUFACTURED  
 AND DELIVERED IN ACCORDANCE WITH THE  
 DATE OF DELIVERY OR ISSUANCE  
 MADE IN CHINA

- Color zinc
- |   |  |      |
|---|--|------|
| A |  | 8PCS |
|---|--|------|

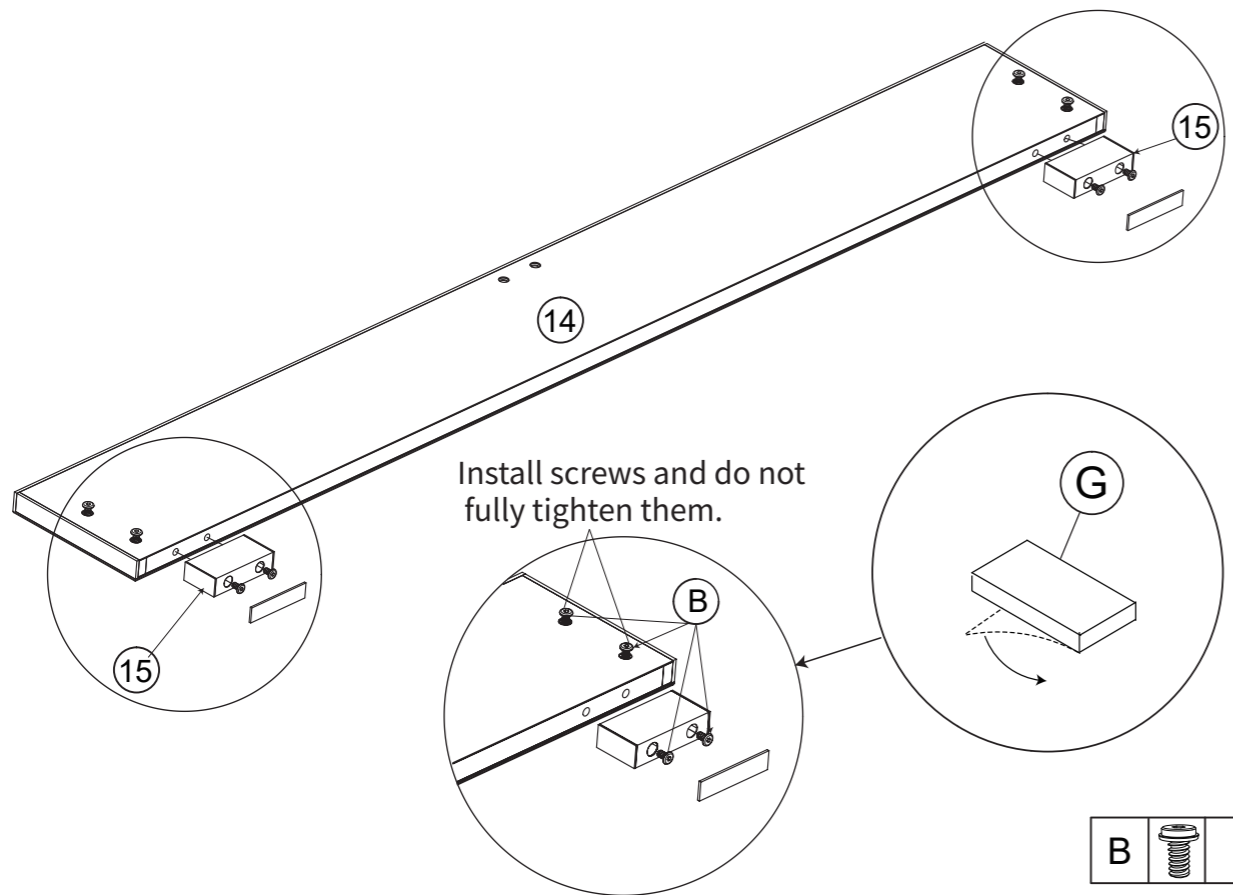
3



- Color zinc
- |   |  |      |
|---|--|------|
| A |  | 4PCS |
| B |  | 4PCS |

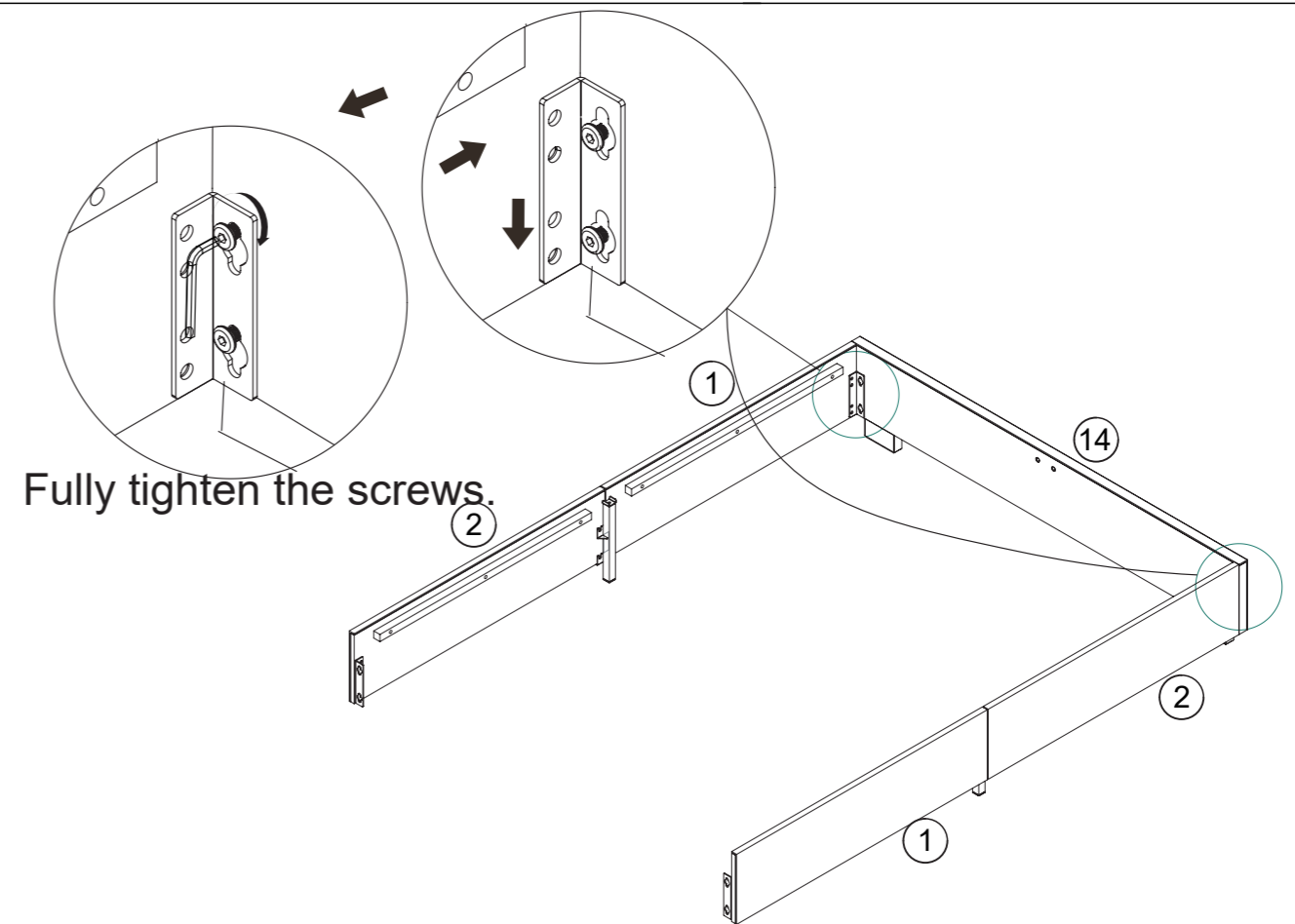
# ASSEMBLY INSTRUCTIONS

4

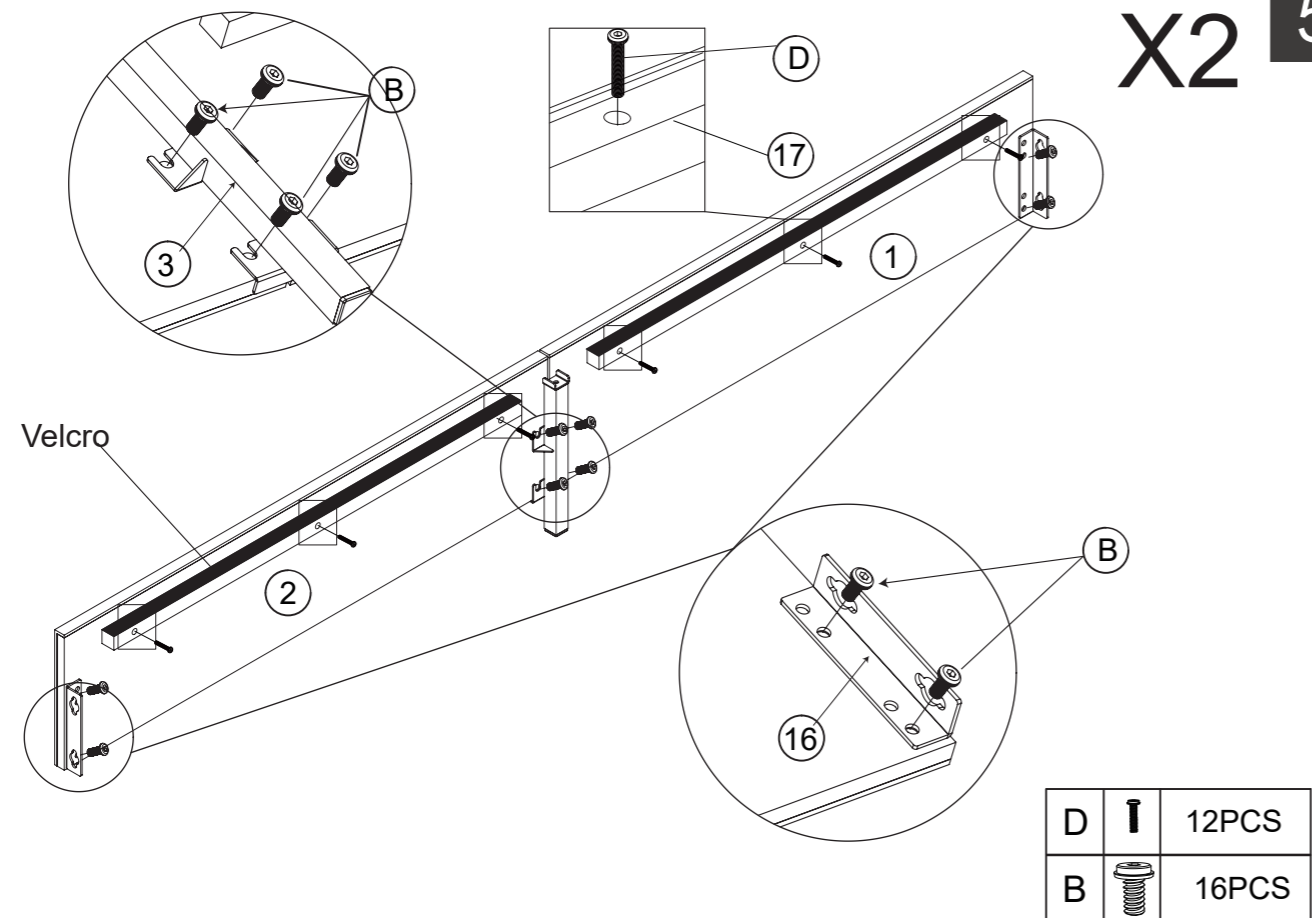


# ASSEMBLY INSTRUCTIONS

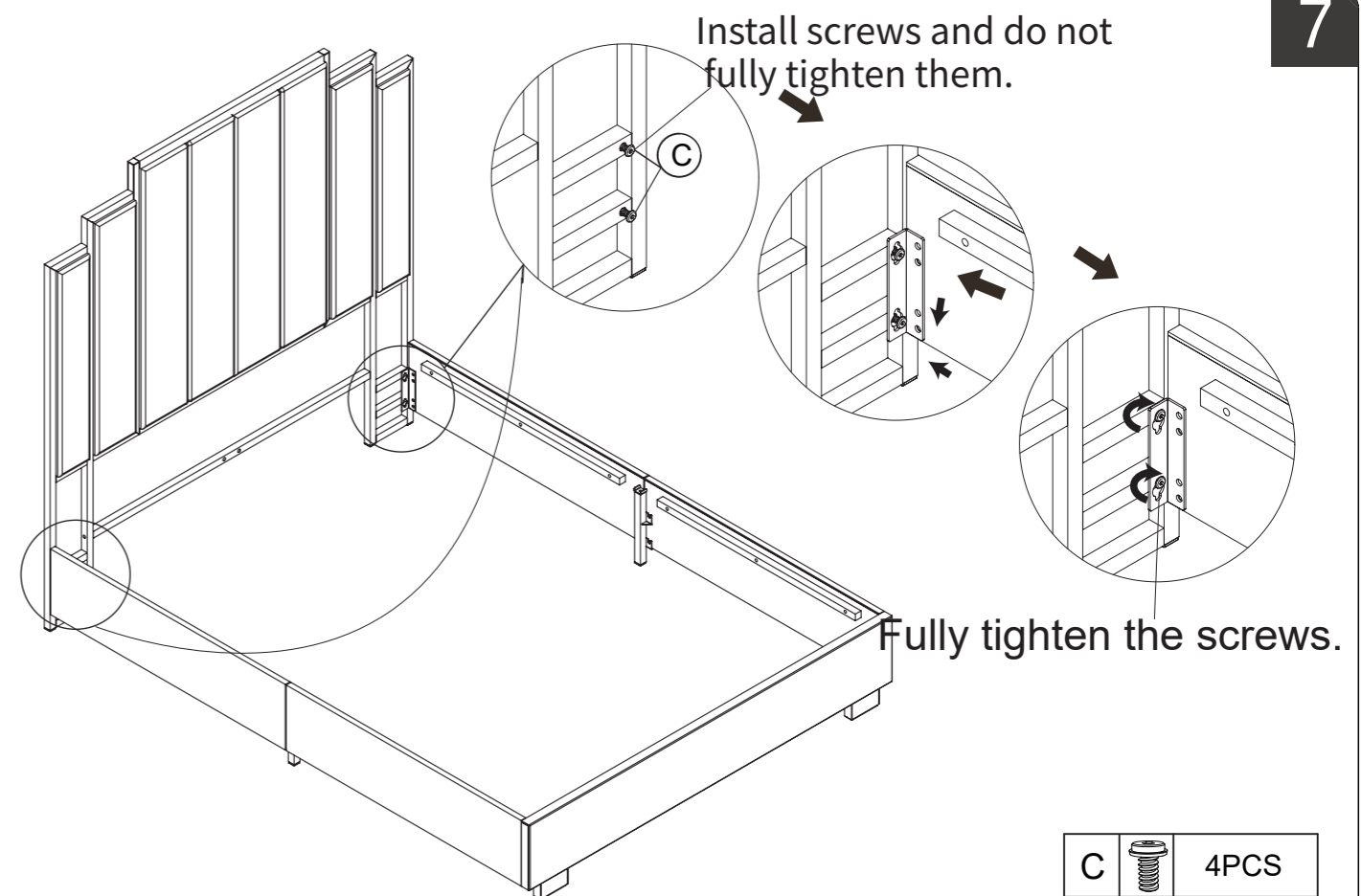
6



X2 5

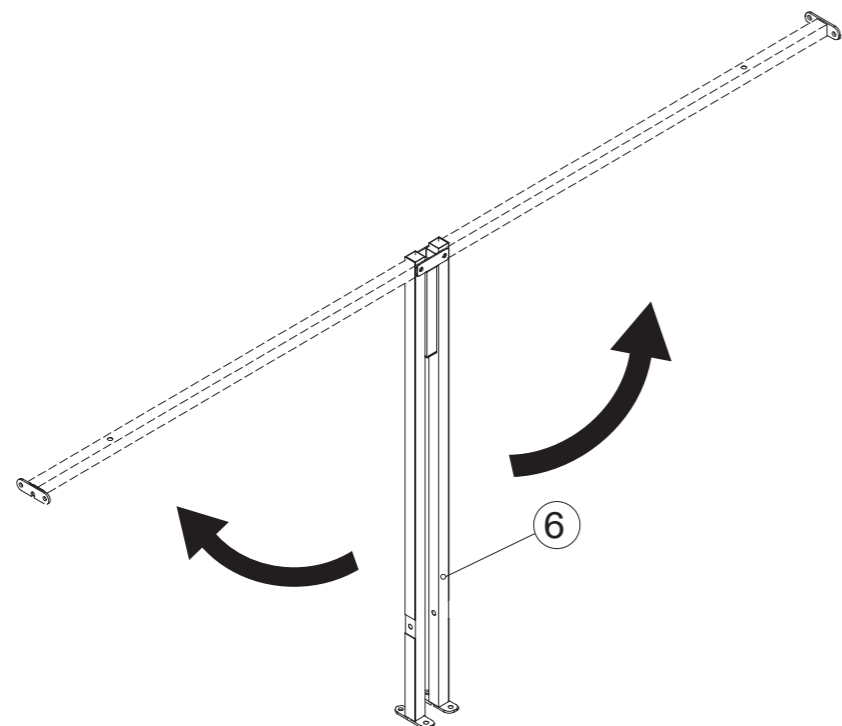


7

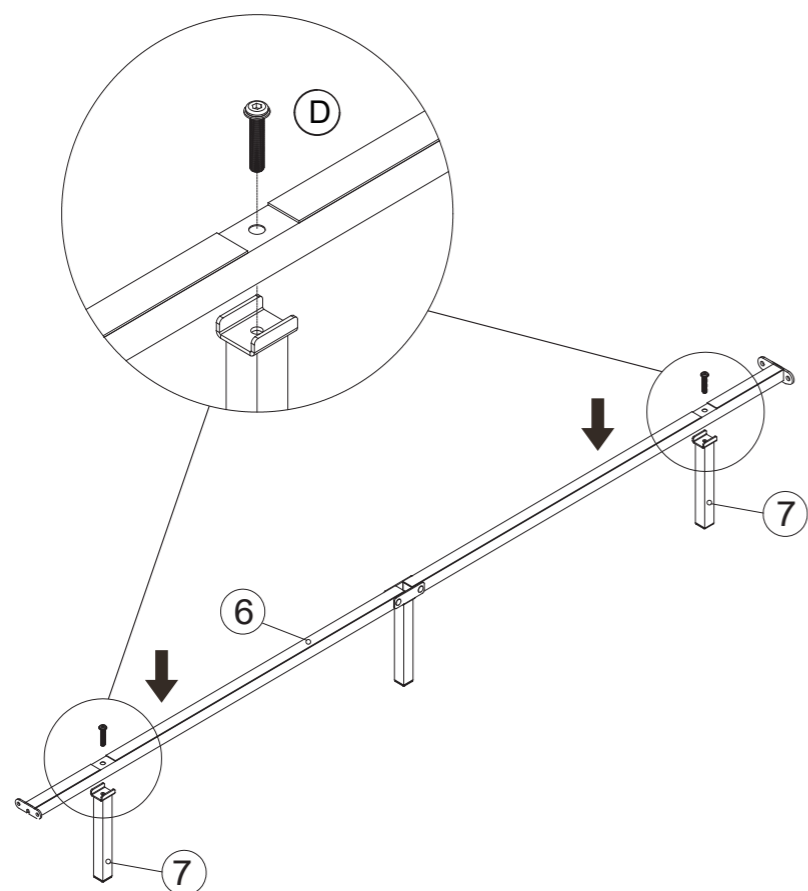



8

**WARNING!**  
Moving parts can crush or cut.  
Keep fingers, hands, and feet away to avoid injury.

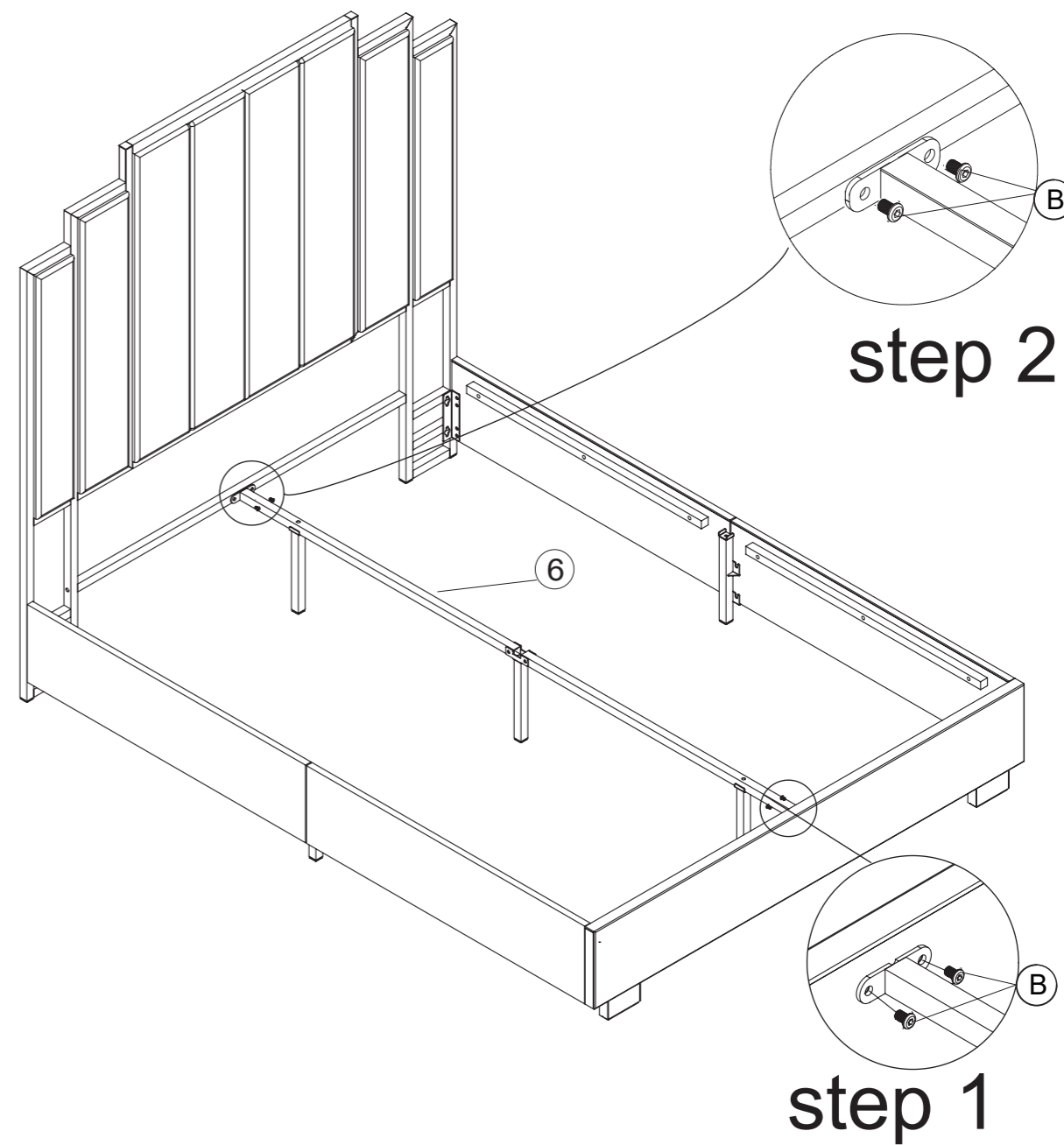



9

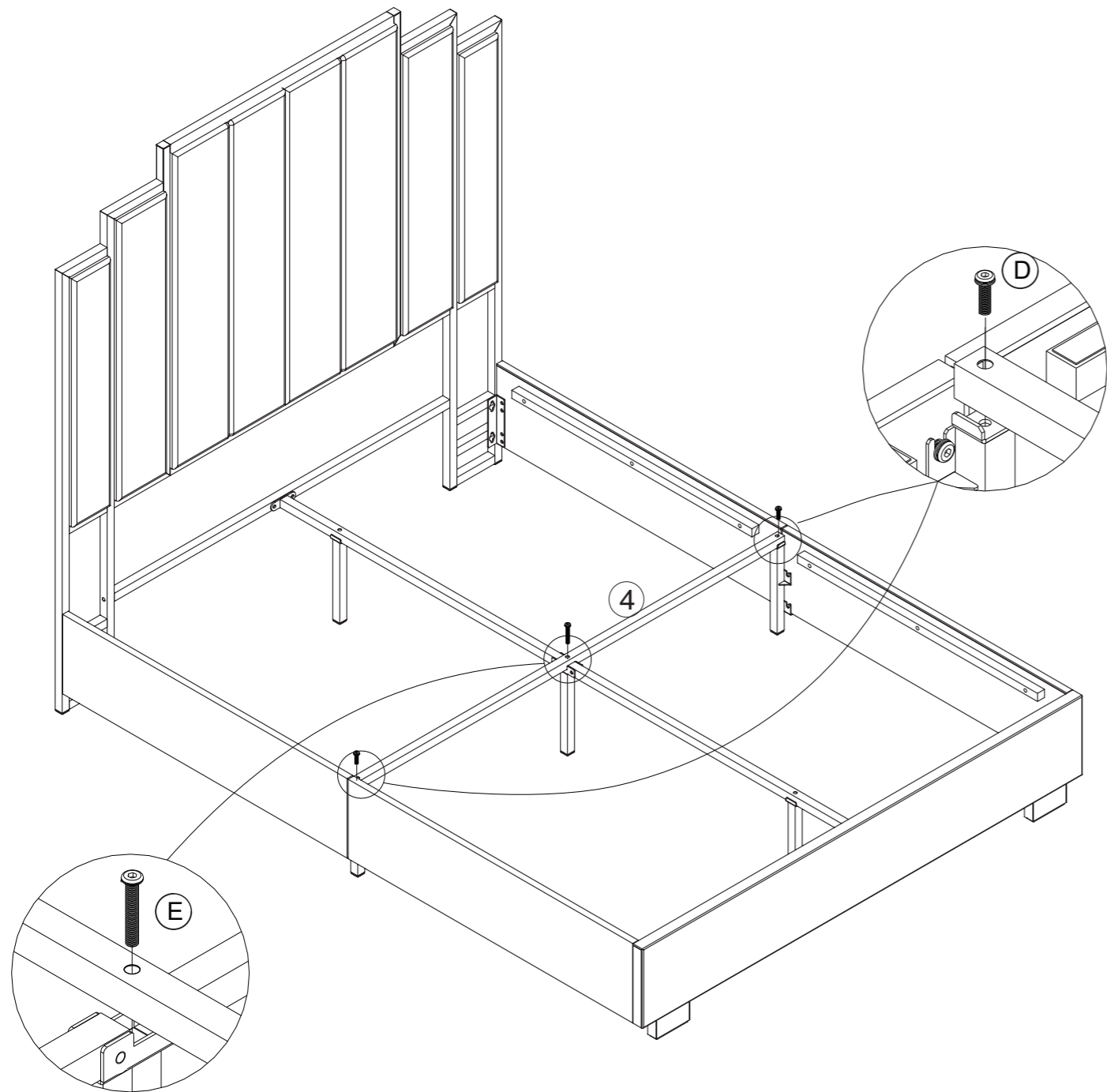


D  2PCS

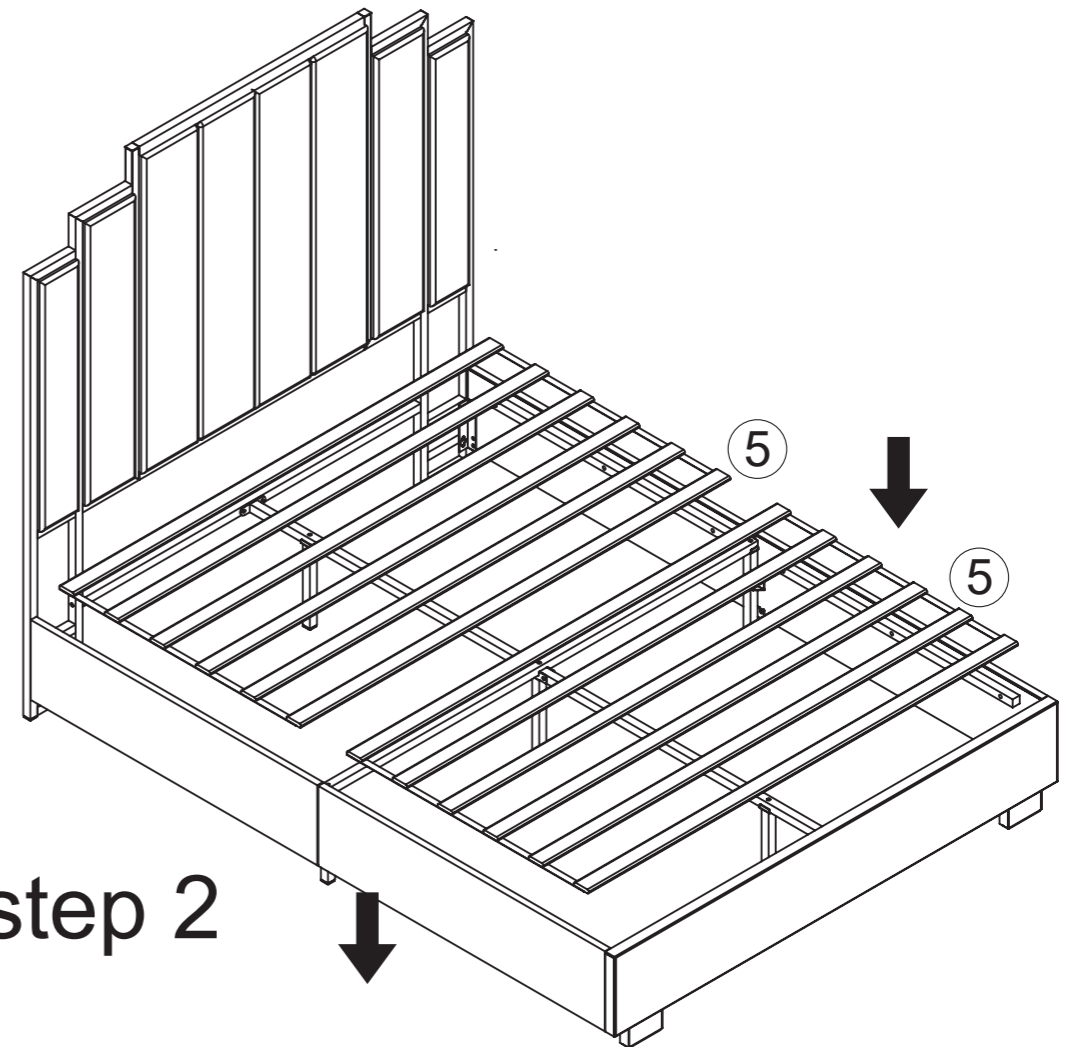
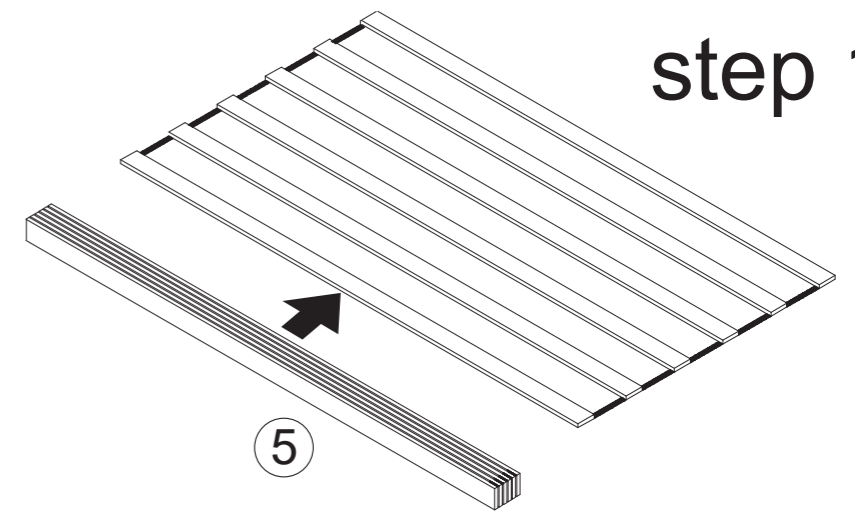
10



B  4PCS



D		2PCS
E		1PC



Installation Complete