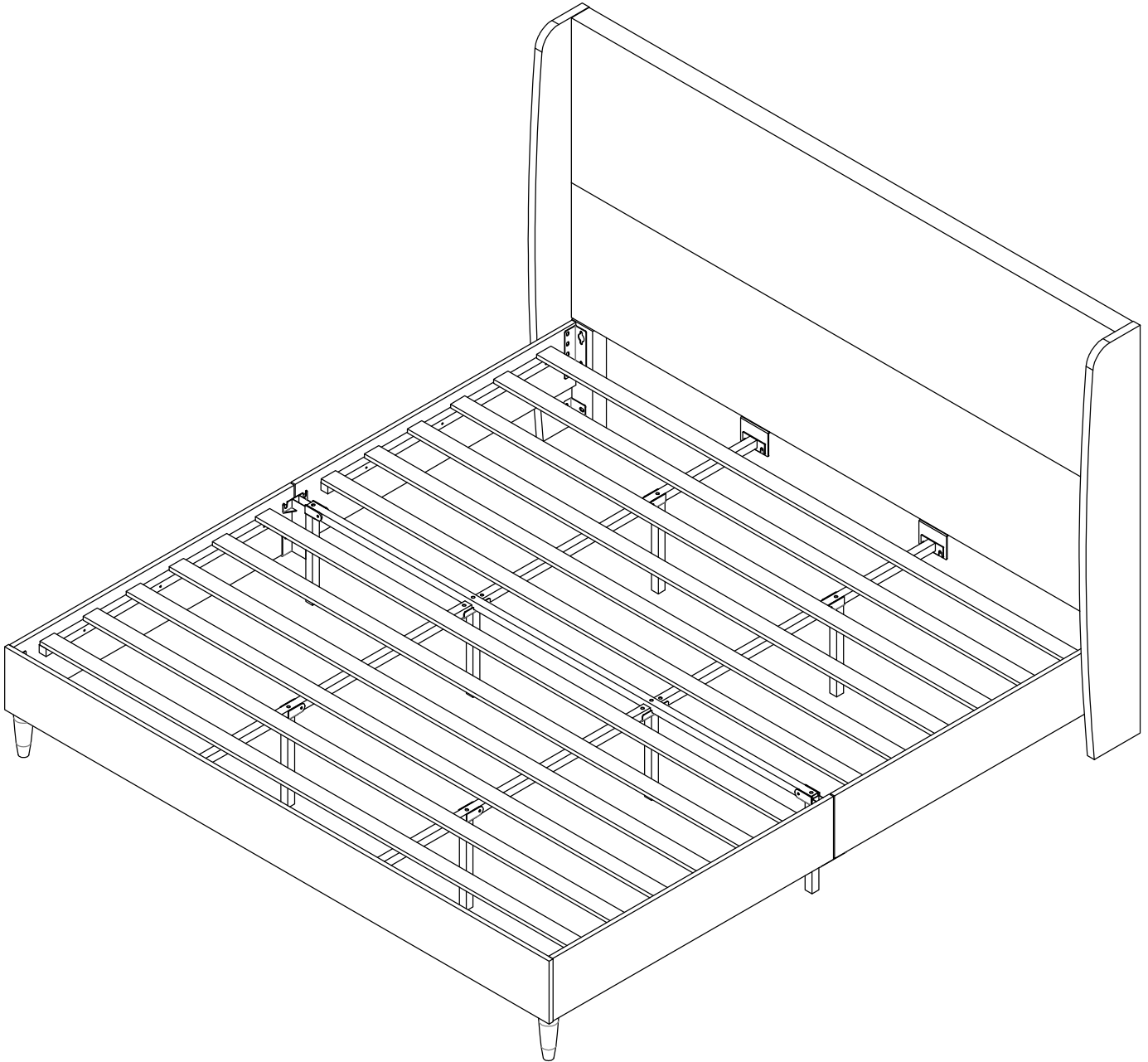


Upholstered Platform Bed with Tufted Wingback Headboard.

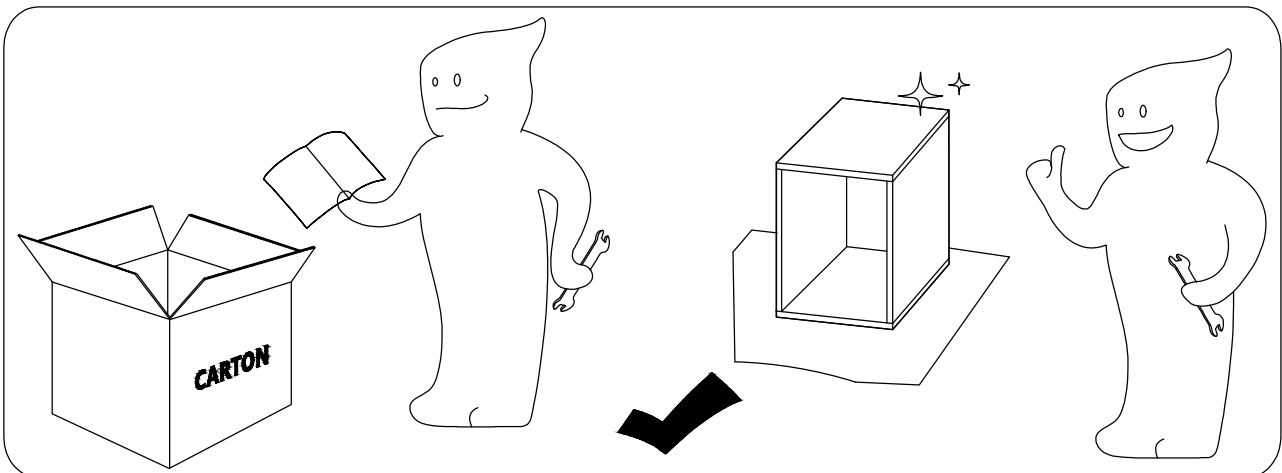
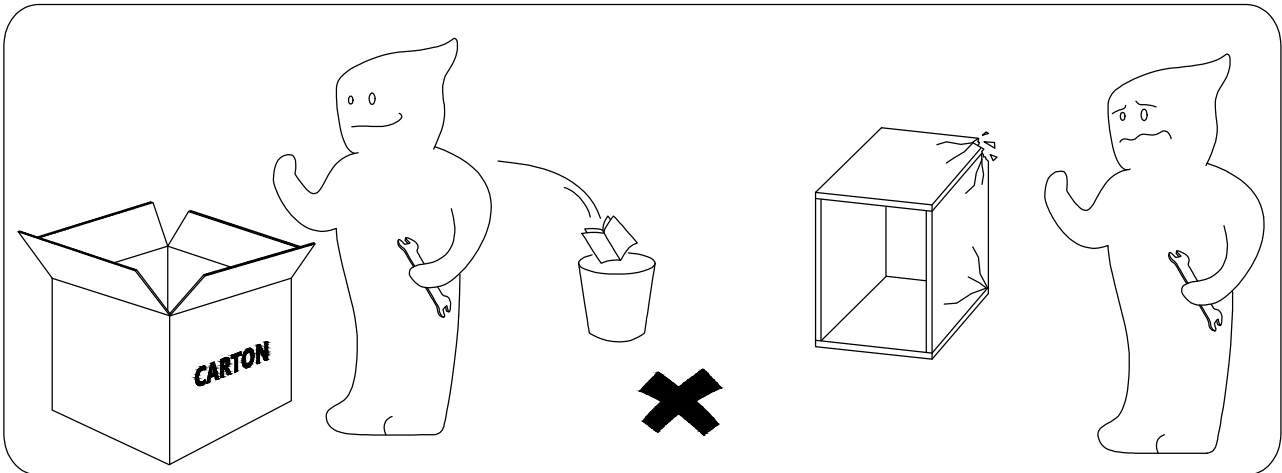


Dear Customers,

Thank you for purchasing our product. Please read this instruction manual carefully after receiving this product. It will help you assemble this product quickly, safely and correctly. You can keep this manual for future reference.

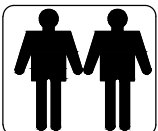
! IMPORTANT

Please follow the instruction manuals and use a pad to protect the product during your assembly.

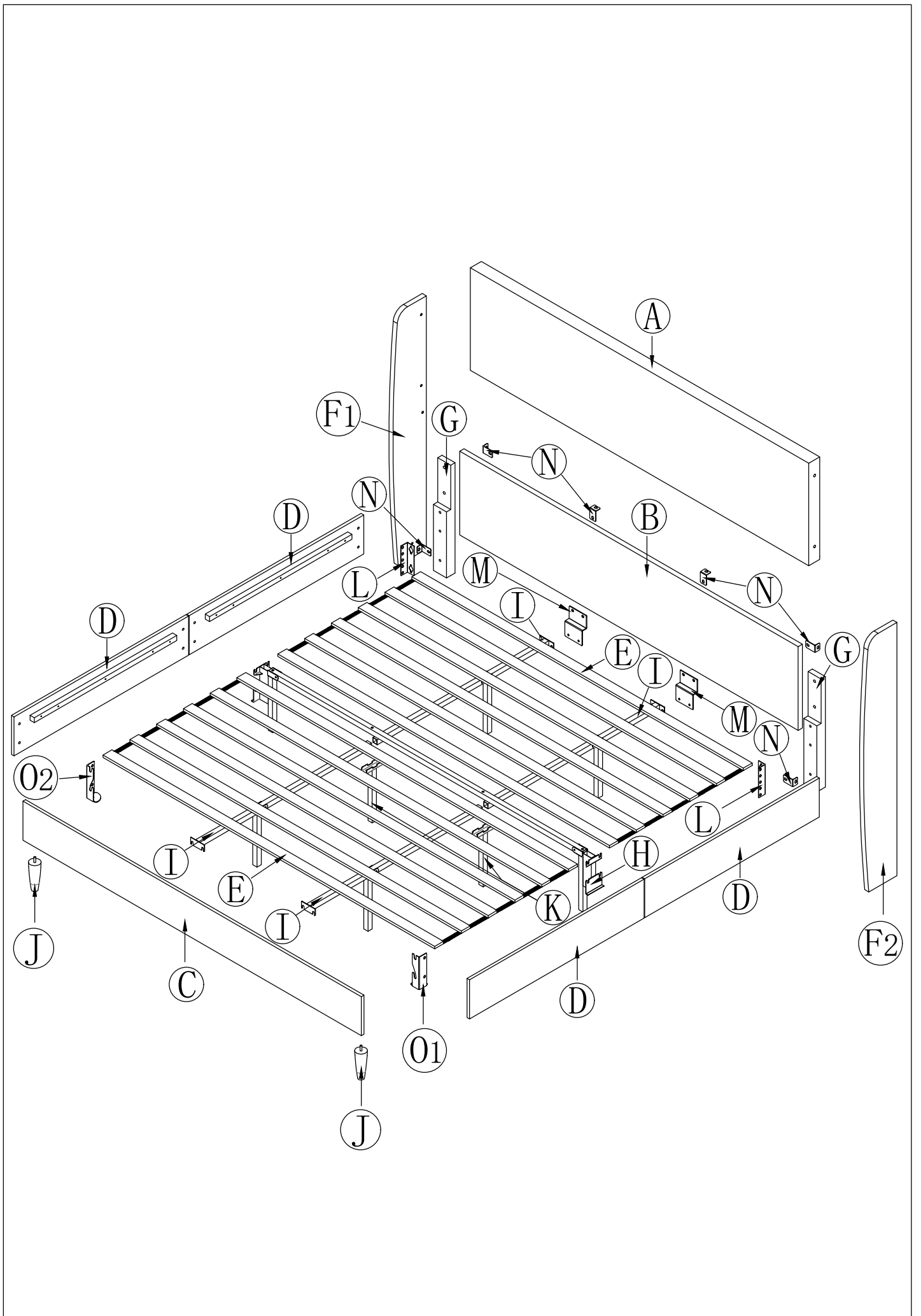


Note:

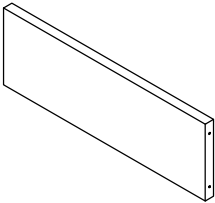
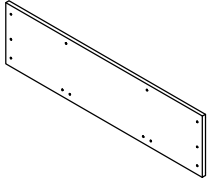
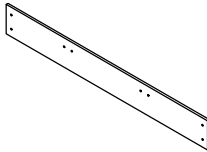
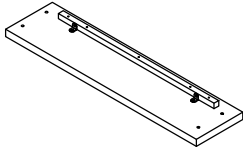
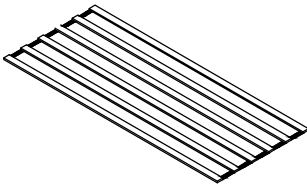



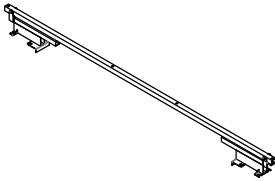
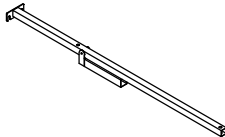

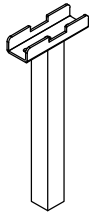
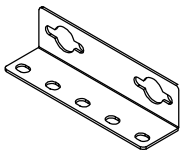
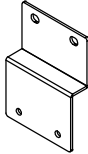
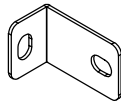
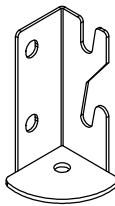
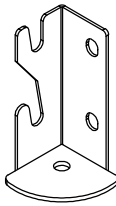
1. Should be assembled on flat ground to keep balance.
2. Before completing the installation, do not tighten the screws.



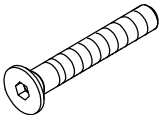
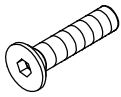
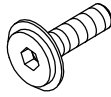
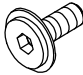
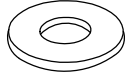

For easier and better assembly, 2 or more adults are required.



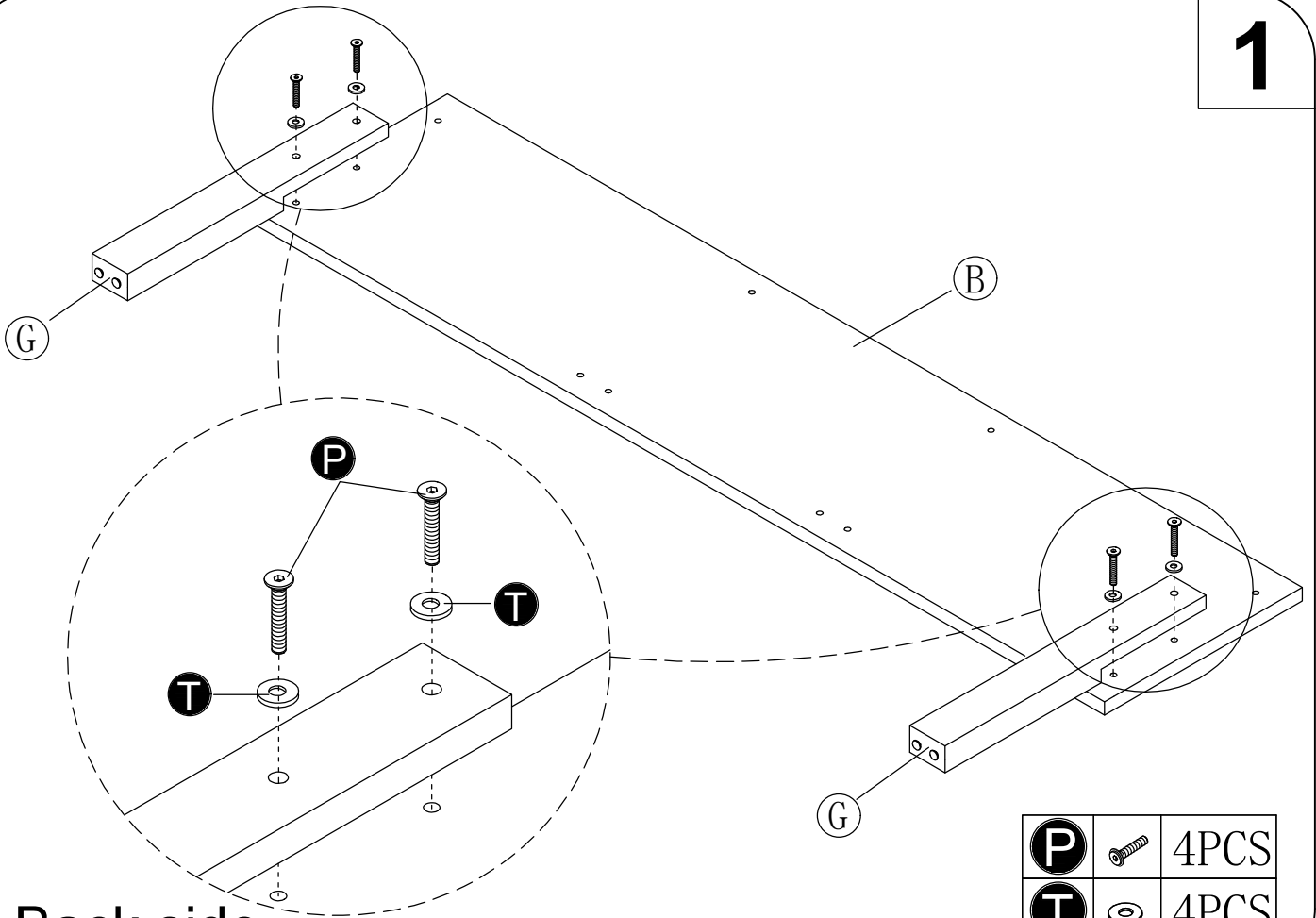
Part list

A	1PC	B	1PC	C	1PC	D	4PCS		
									
Top headboard		Bottom headboard		Footboard		side rail			
E	2PCS	F1	1PC	F2	1PC	G	2PCS		
									
Slat		Left wing		Right wing		Bedside foot			
H	1PC	I	4PCS	J	2PCS	K	2PCS		
									
Cross bar		Middle support bar		Wooden leg		Support leg			
L	2PCS	M	2PCS	N	6PCS	O1	1PC	O2	1PC
									
Connector		Bedside iron sheet		Connector		Right Corner Code		Left Corner Code	

Hardware list

P	Q	R	S	T	U
					
M8*50 6PCS	M8*40 14PCS	M8*25 8PCS	M8*18 32PCS	ø22*ø8.5 8PCS	M8 Spanner 1PC

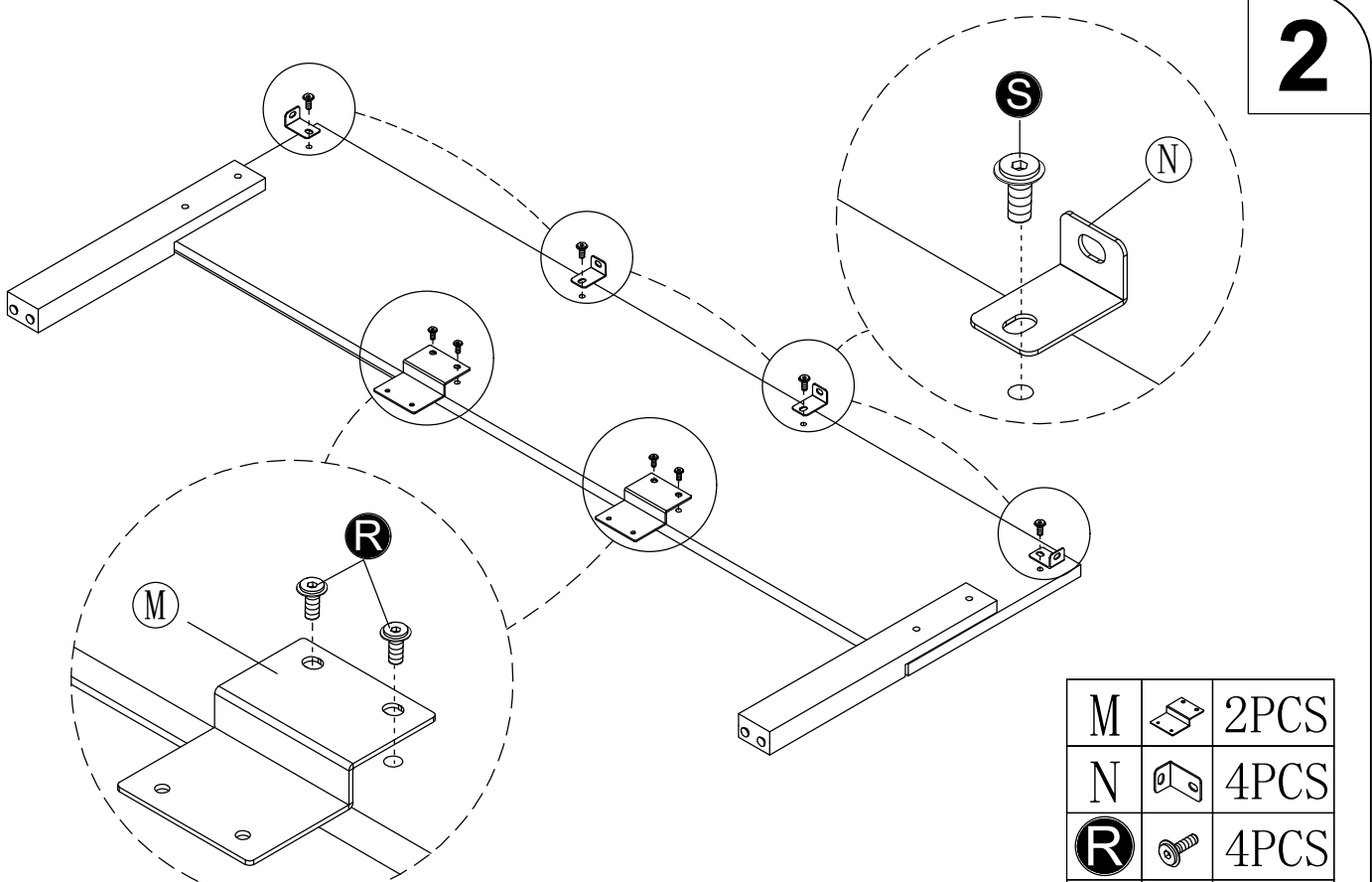
1



Back side

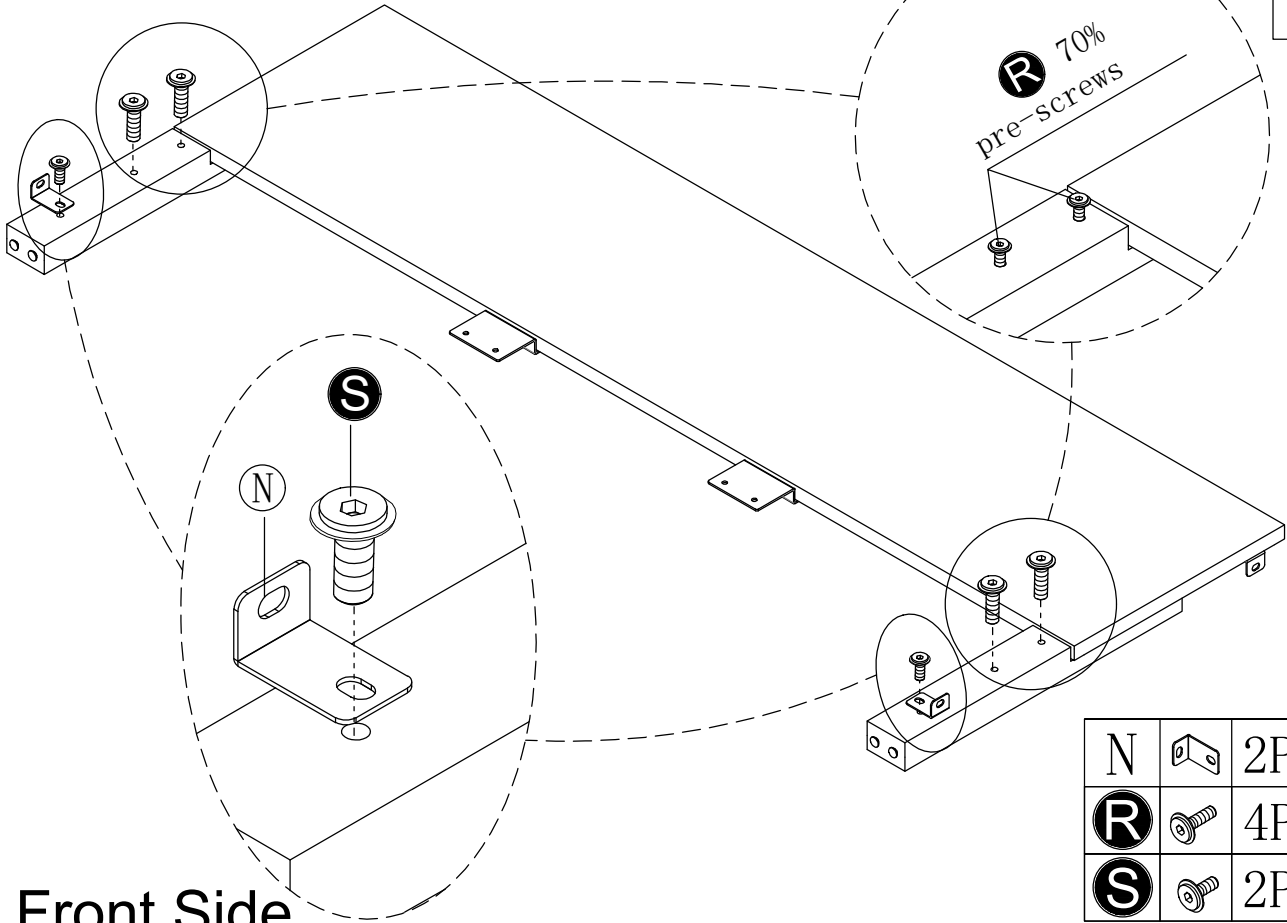
P		4PCS
T		4PCS

2

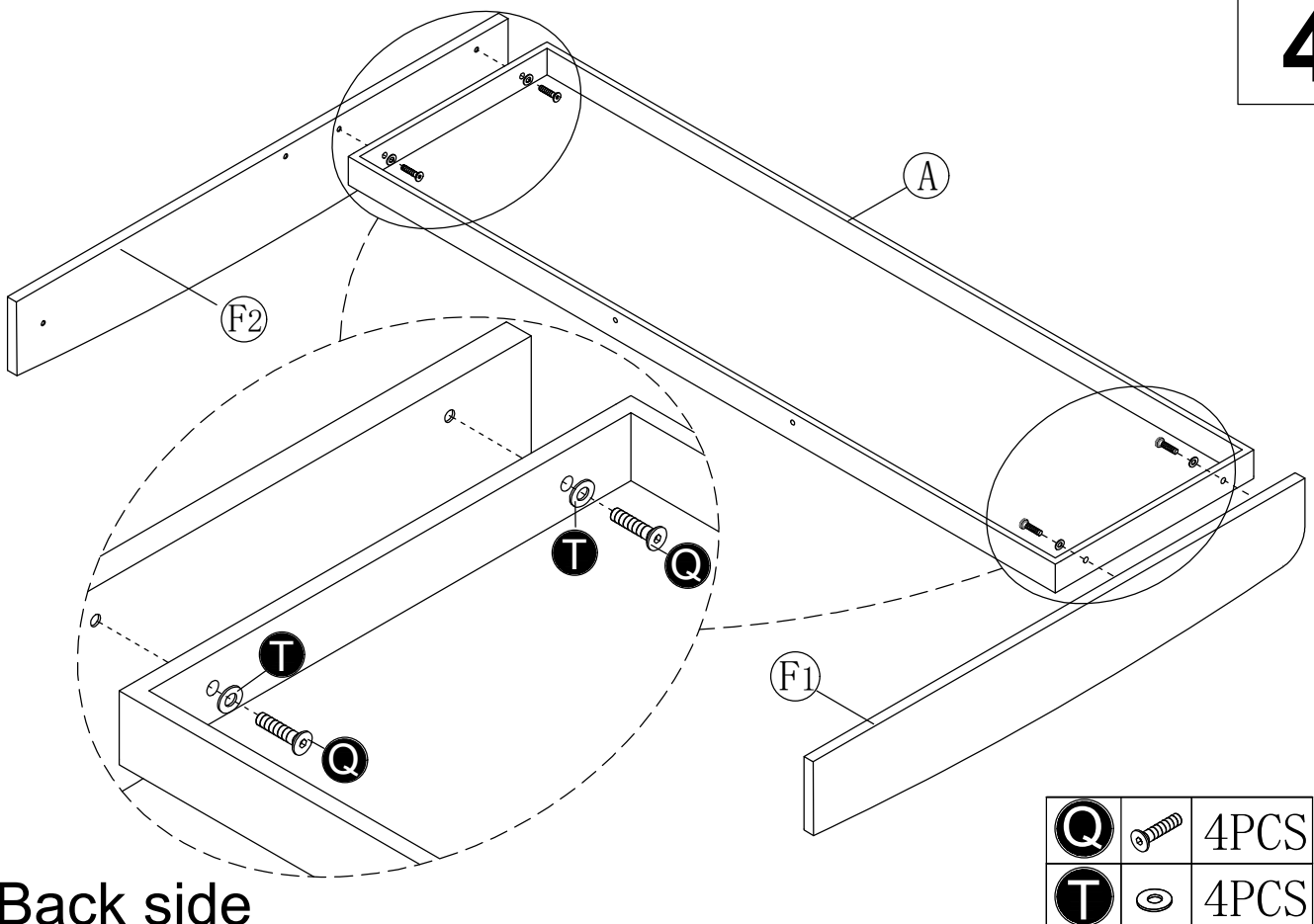


Back side

M		2PCS
N		4PCS
R		4PCS
S		4PCS

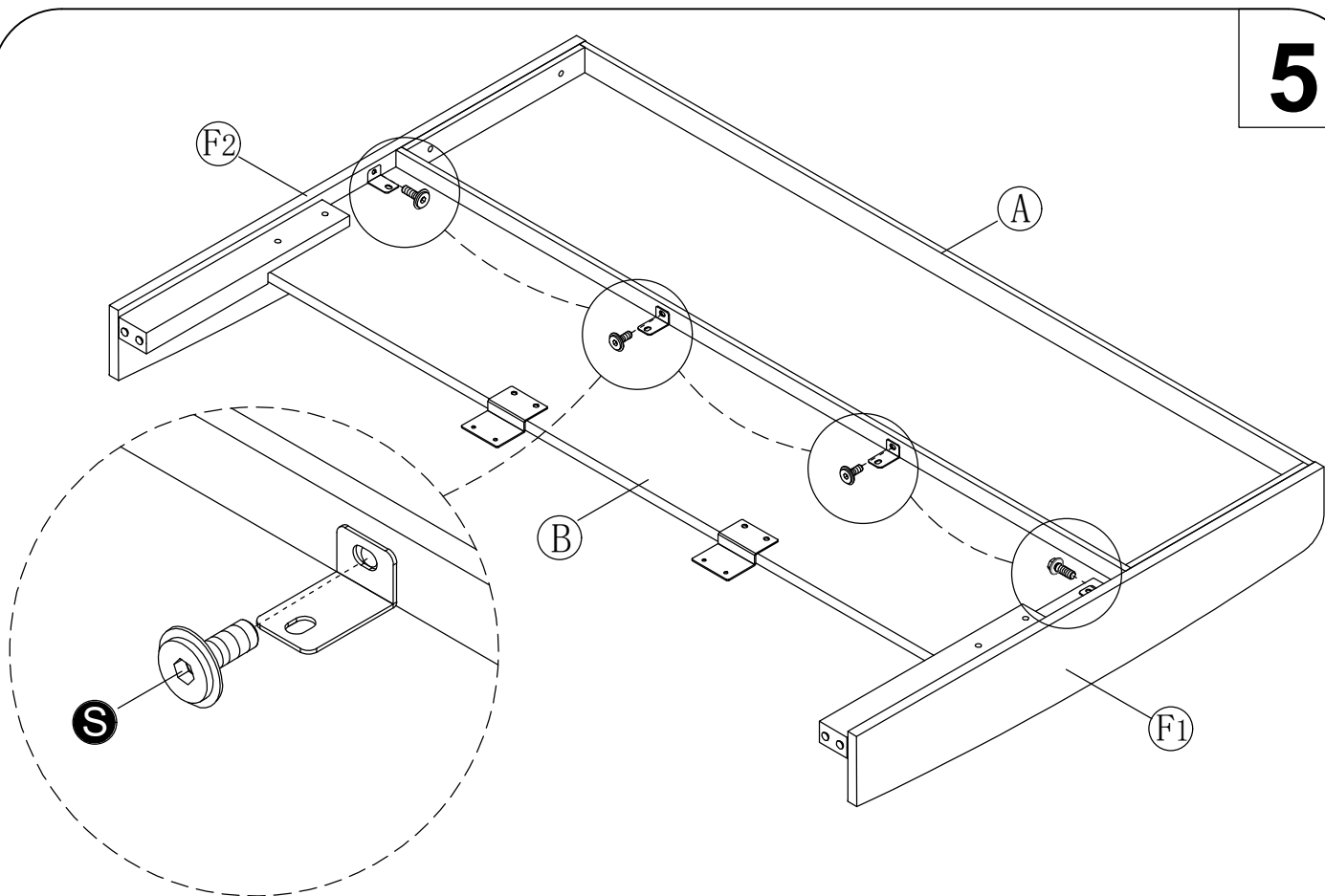
3

Front Side


4

Back side

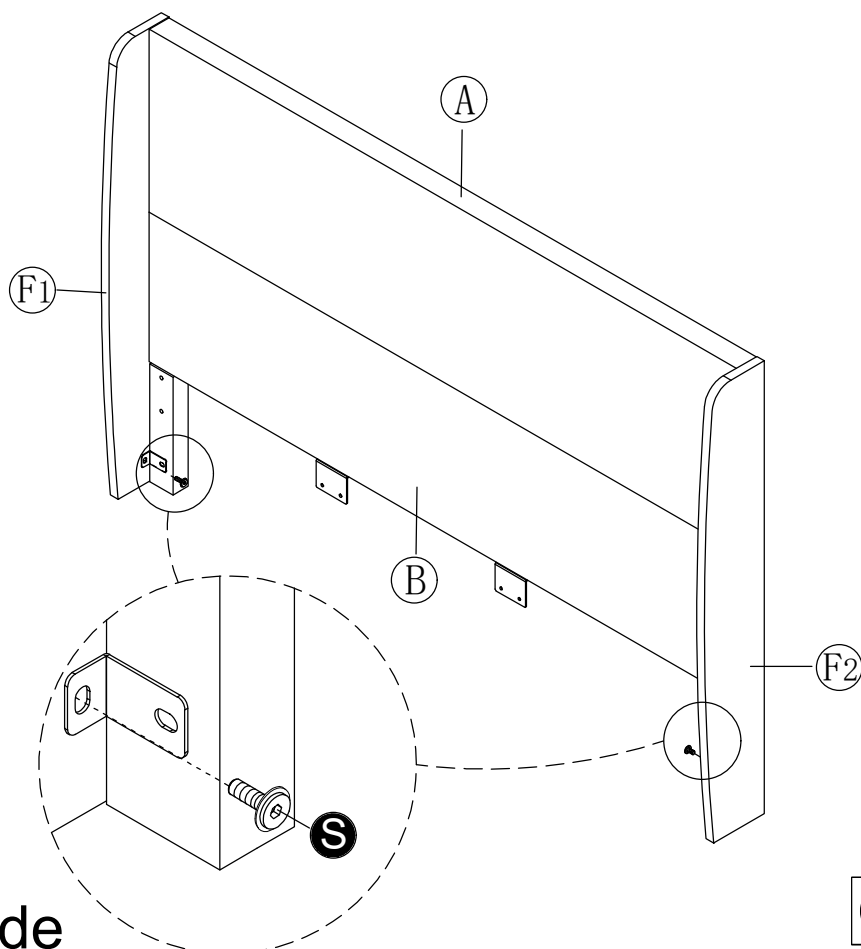
5




Back side

S  4PCS

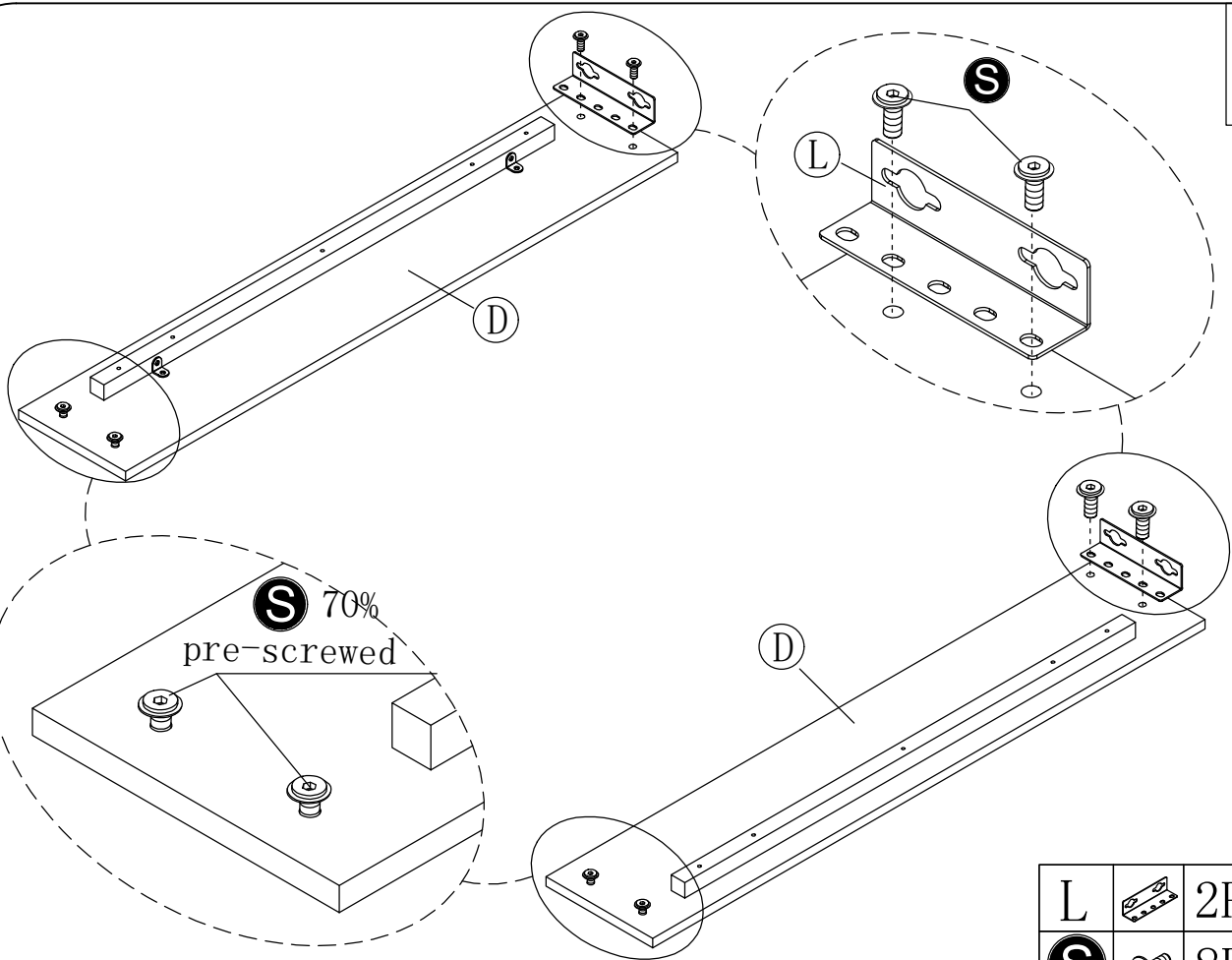
6



Front Side

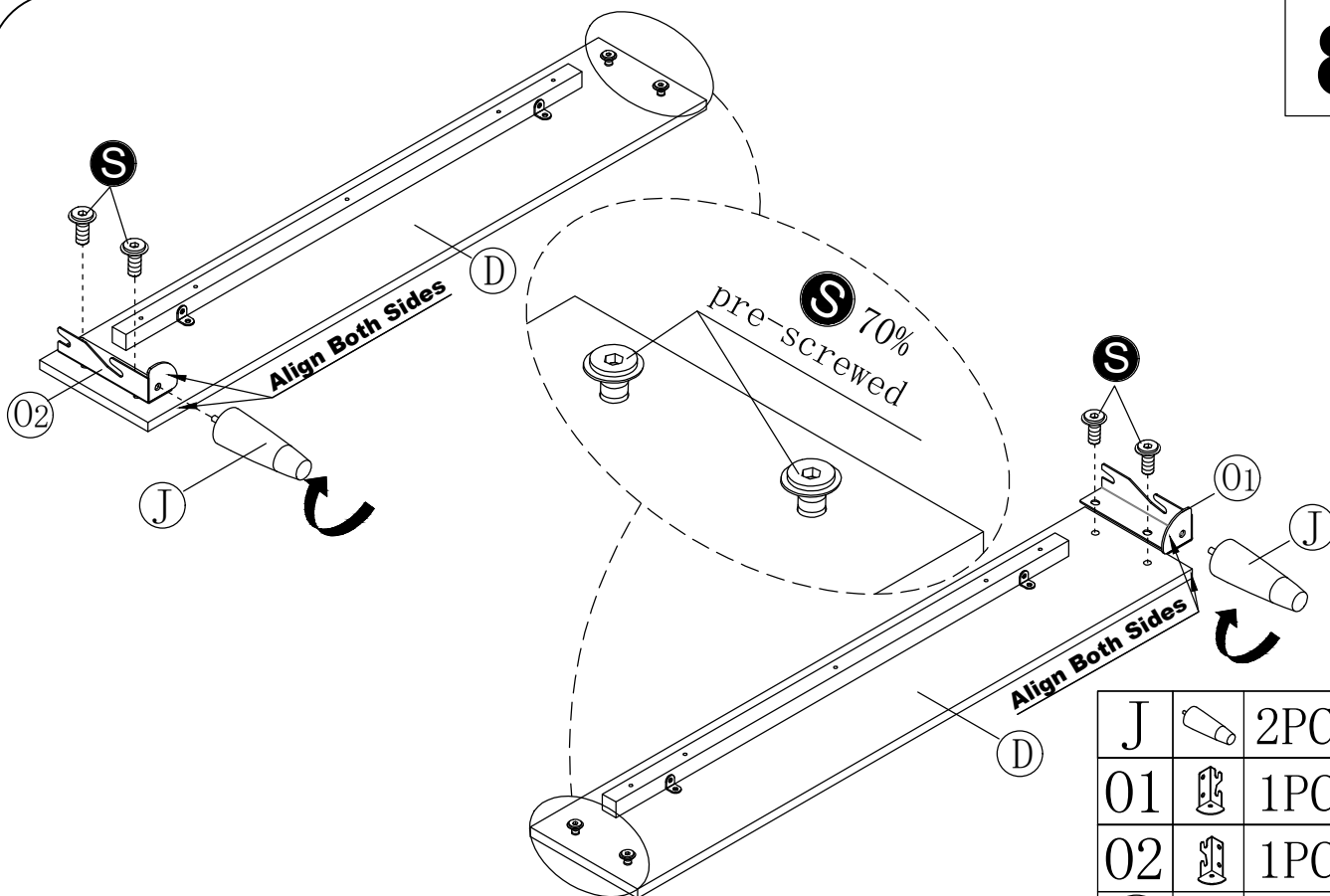
S  2PCS

7



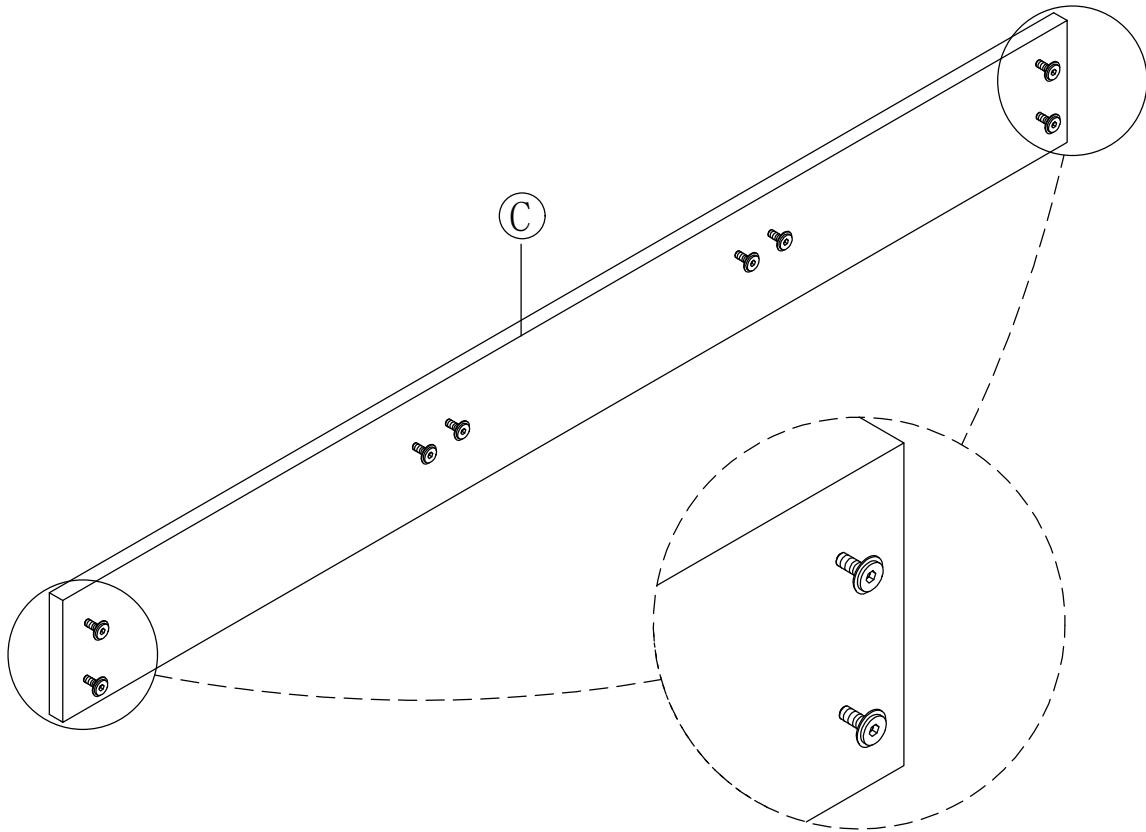
L		2PCS
S		8PCS

8



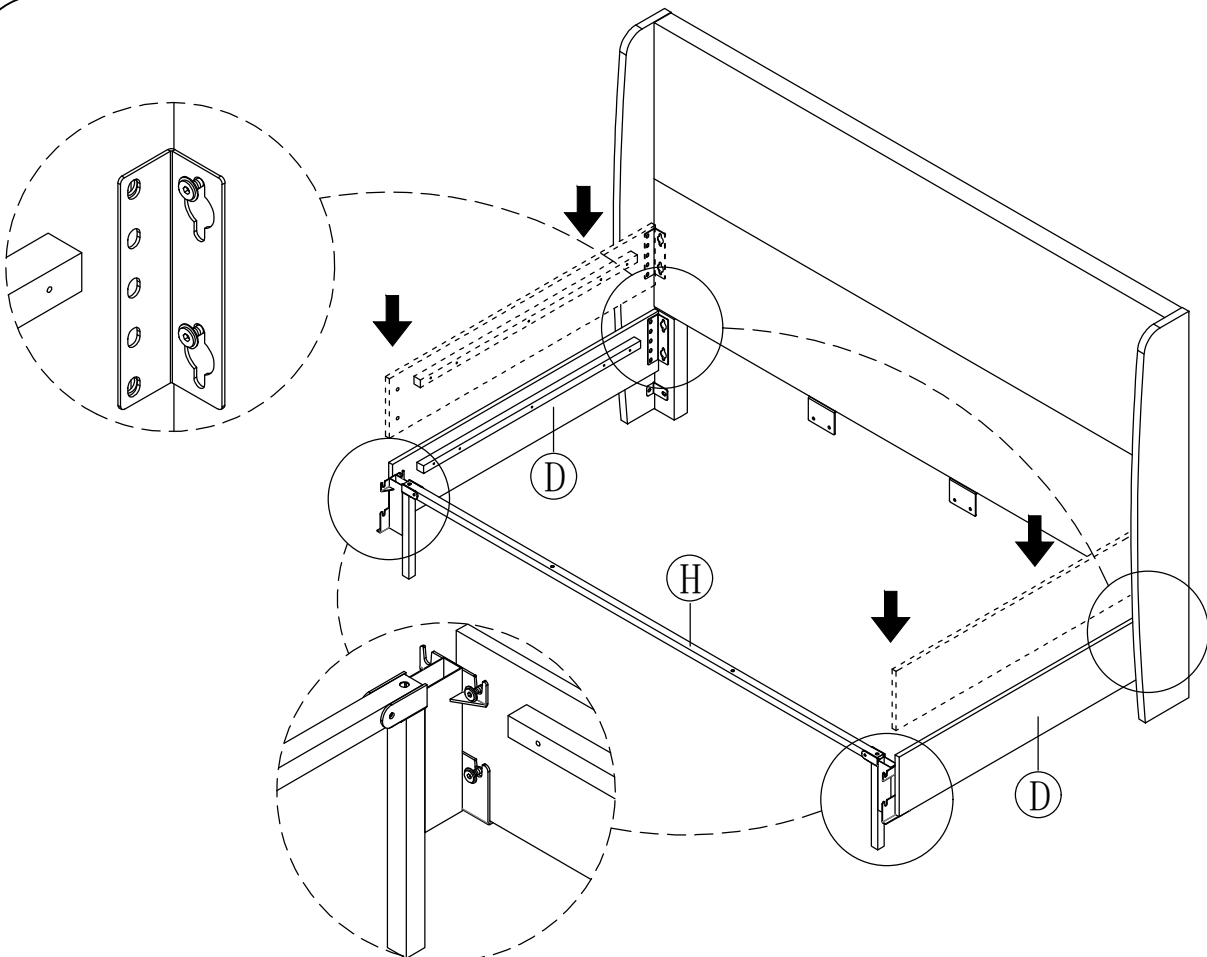
J		2PCS
O1		1PC
O2		1PC
S		8PCS

9

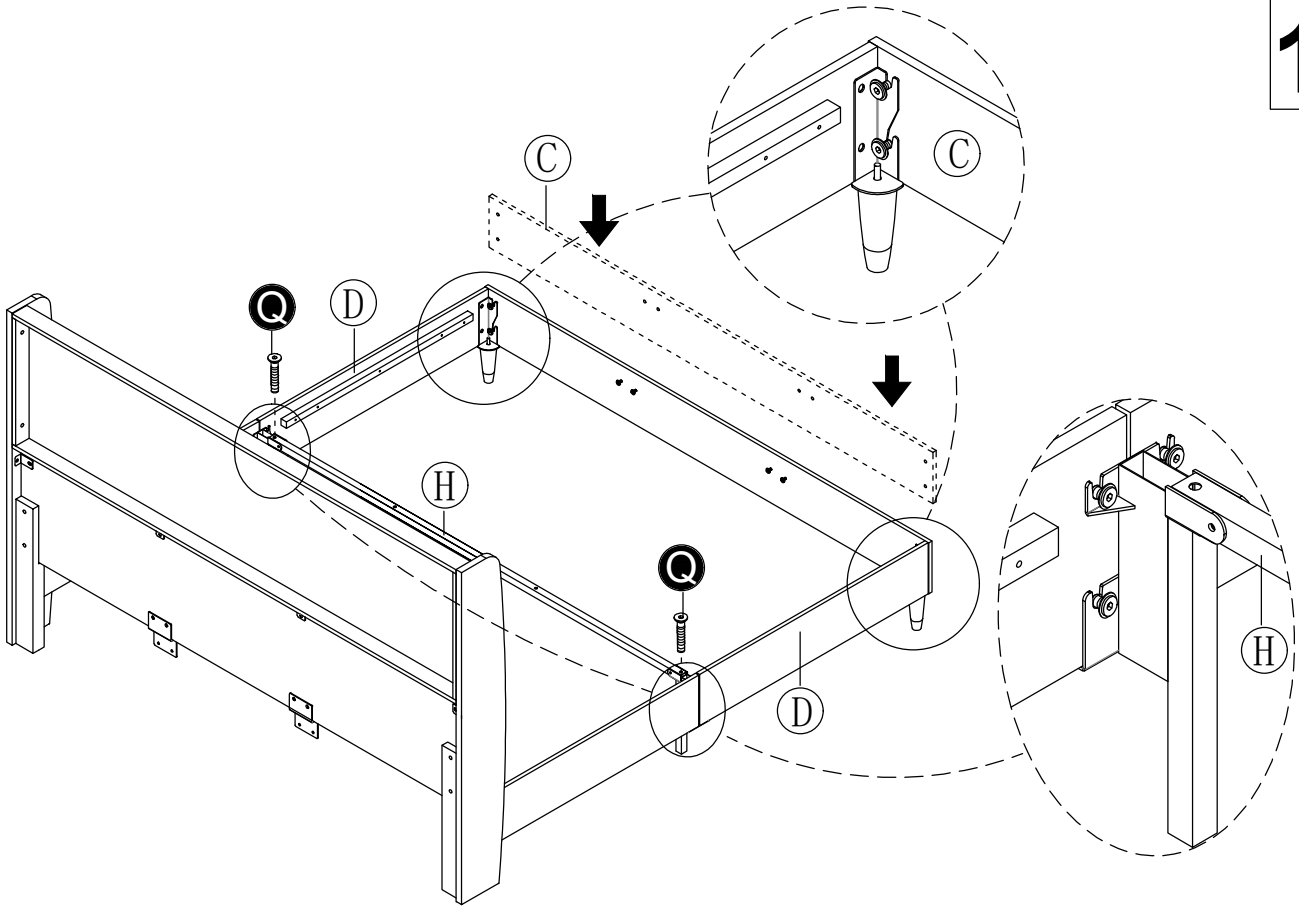



Loosen but don't remove the pre-installed screws.

10

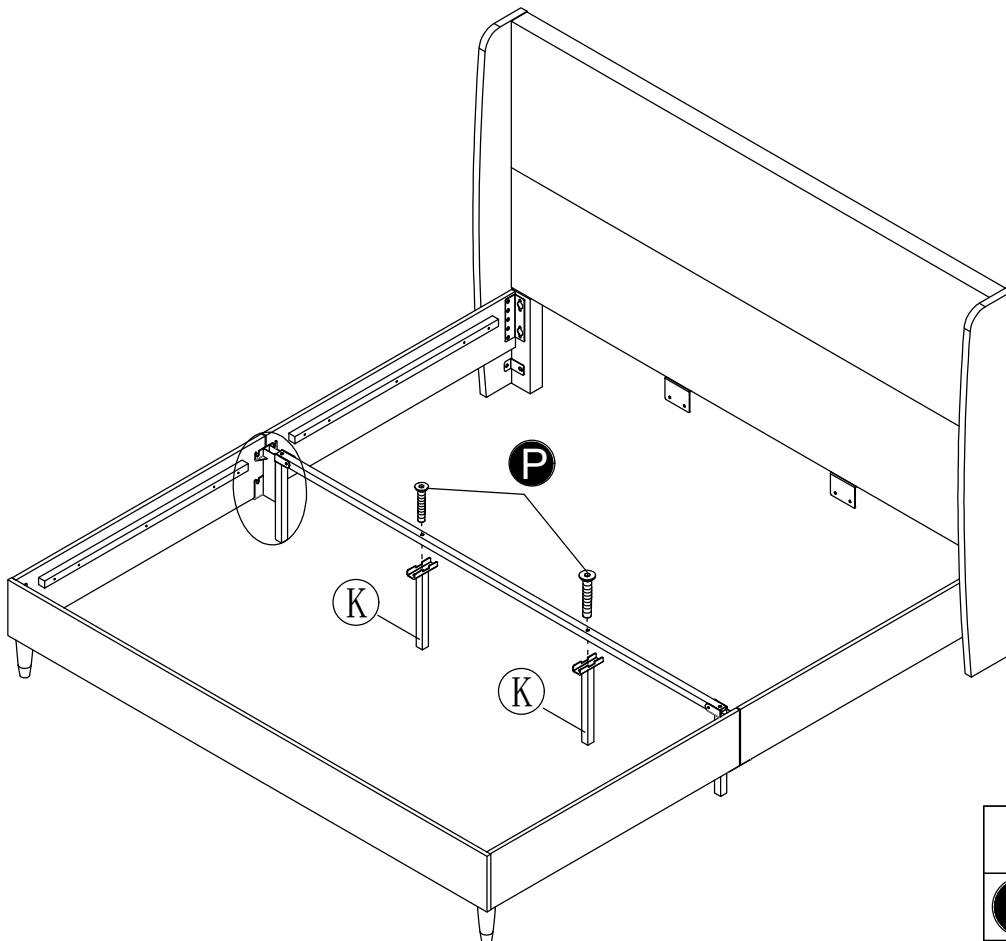




11



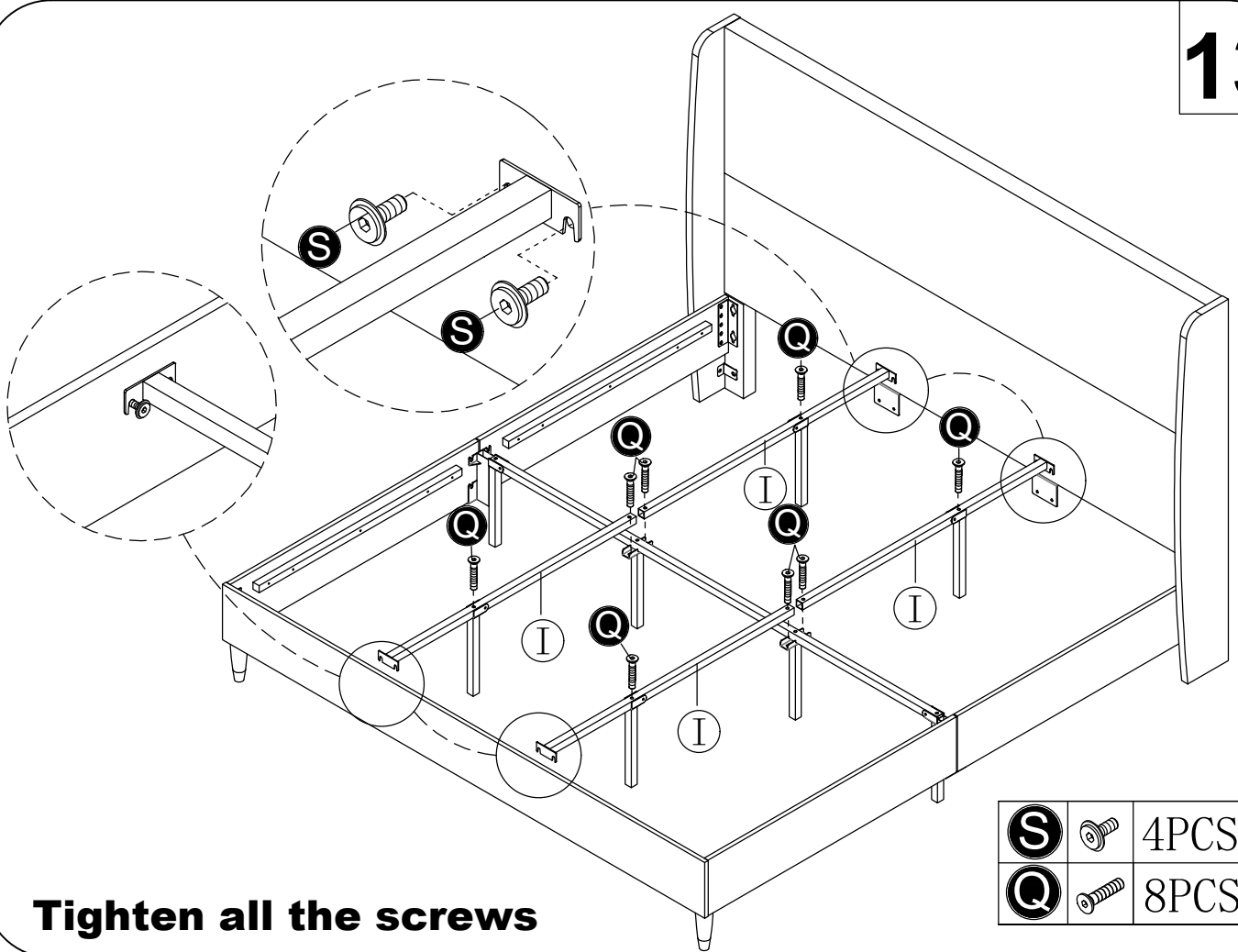
Q		2PCS
----------	---	------

12

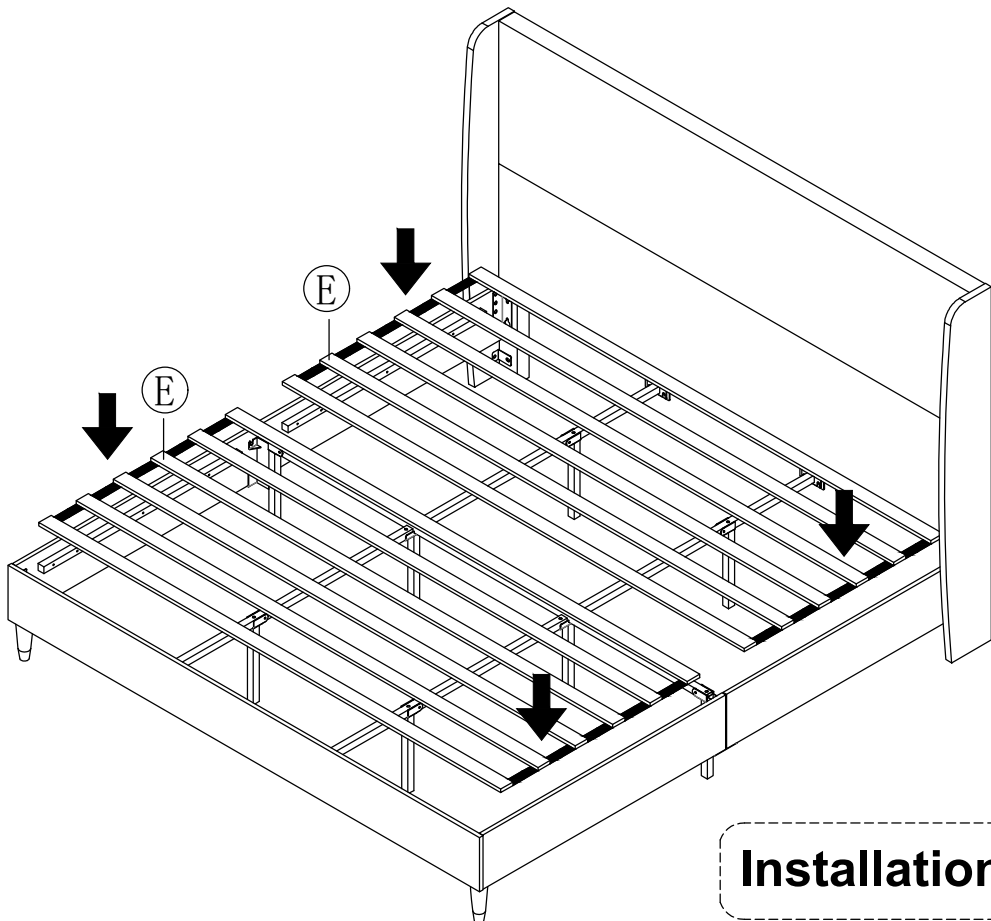


K		2PCS
P		2PCS

13



14



Installation Complete