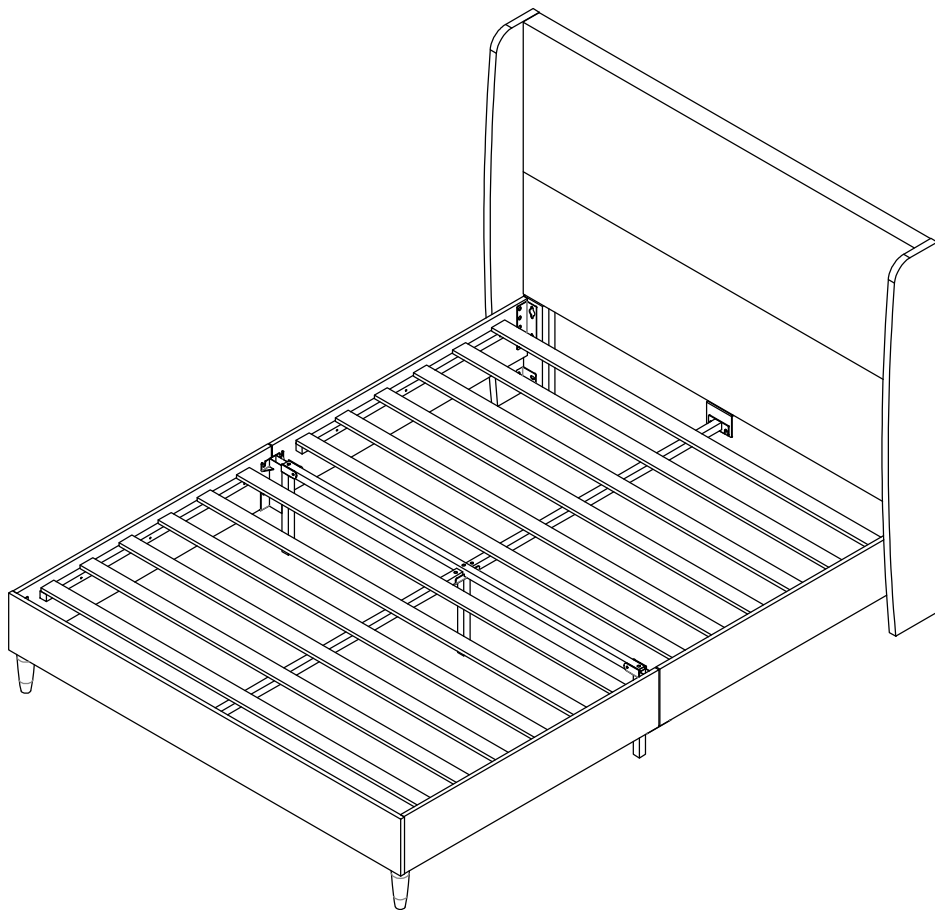


Upholstered Platform Bed with Tufted Wingback Headboard.

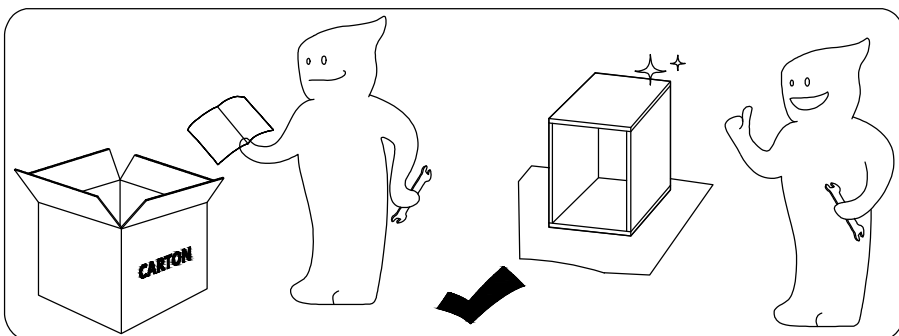
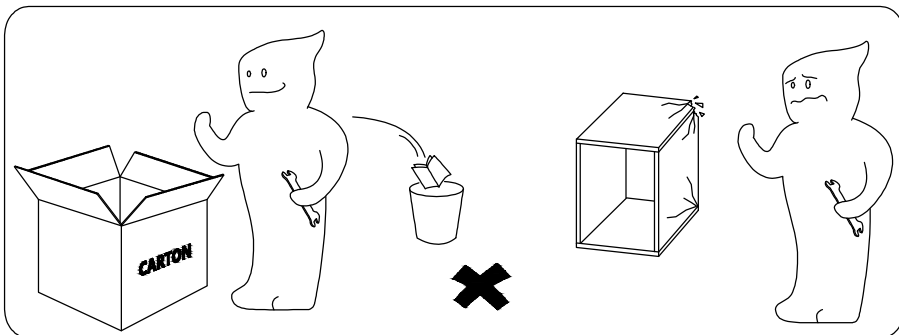


Dear Customers,

Thank you for purchasing our product. Please read this instruction manual carefully after receiving this product. It will help you assemble this product quickly, safely and correctly. You can keep this manual for future reference.

! IMPORTANT

Please follow the instruction manuals and use a pad to protect the product during your assembly.

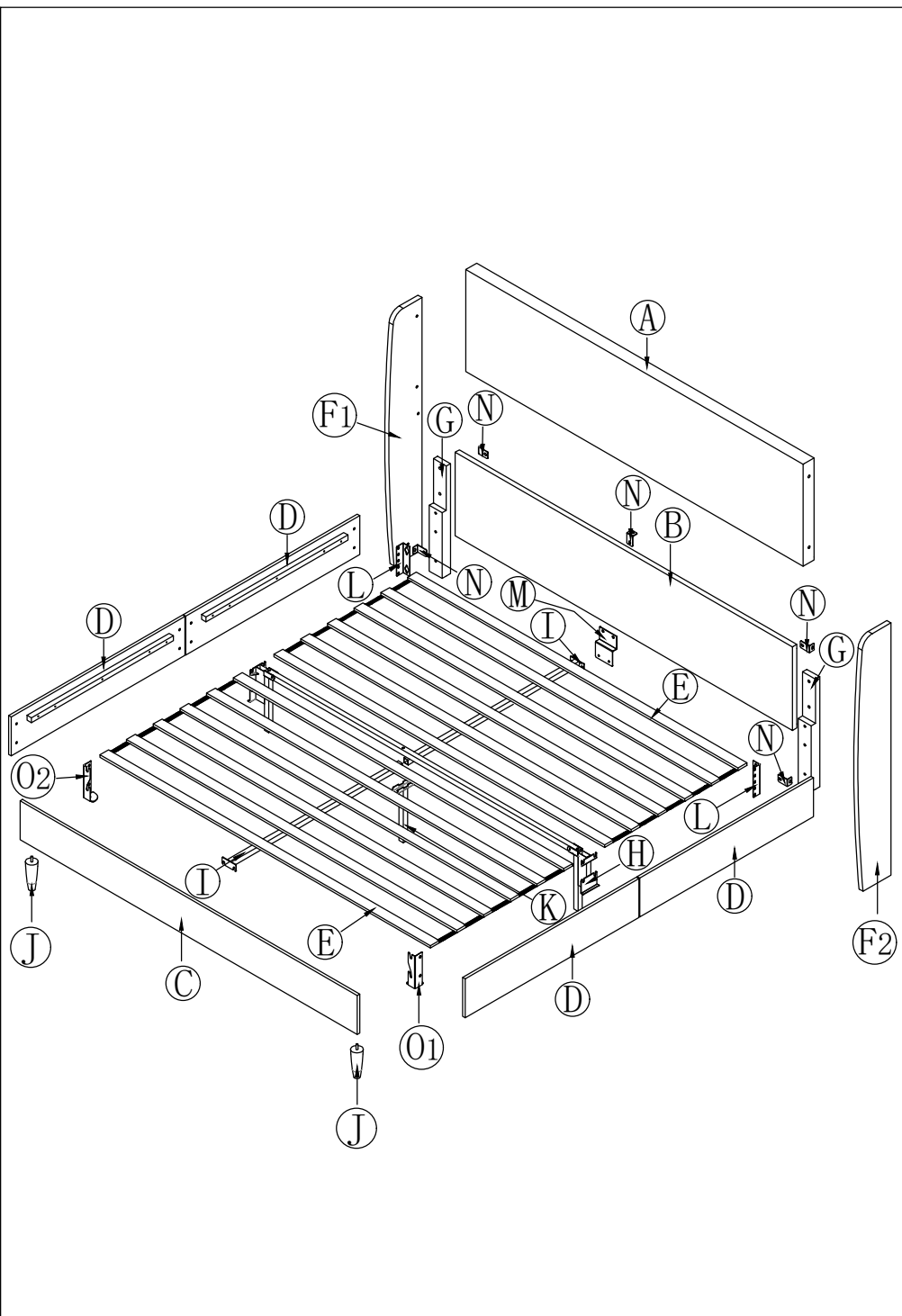


Note:

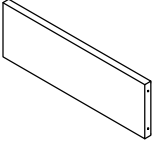
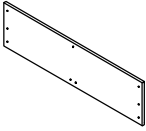
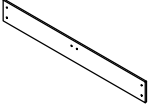
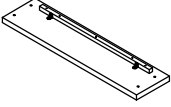
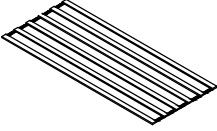



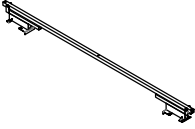
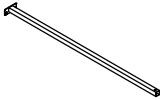

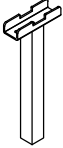
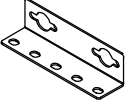

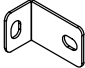


1. Should be assembled on flat ground to keep balance.
2. Before completing the installation, do not tighten the screws.



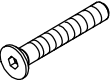
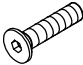




For easier and better assembly, 2 or more adults are required.

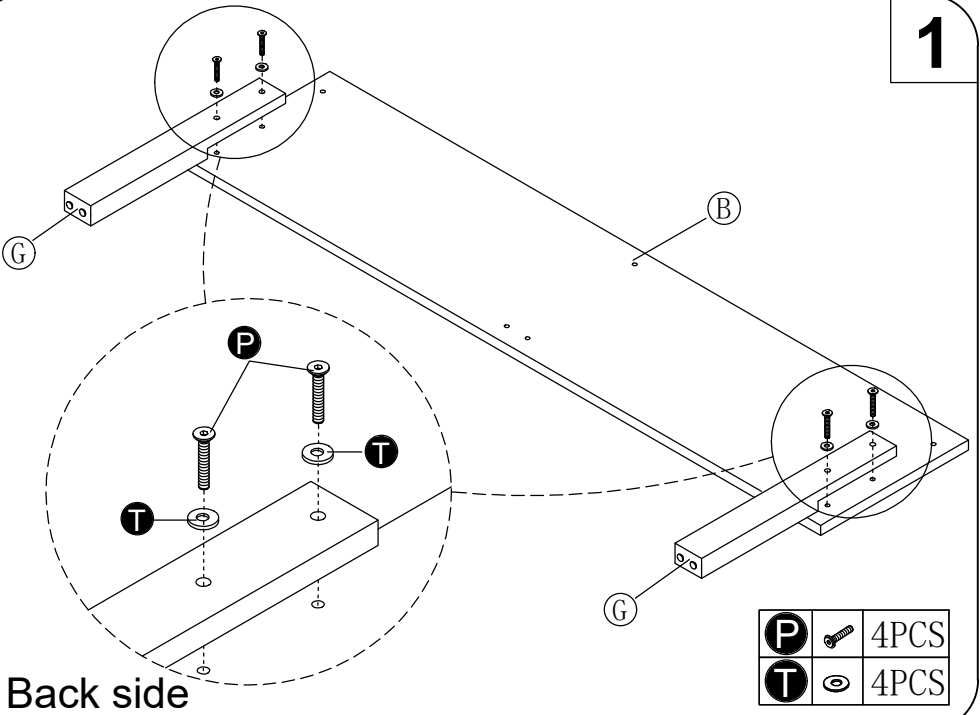
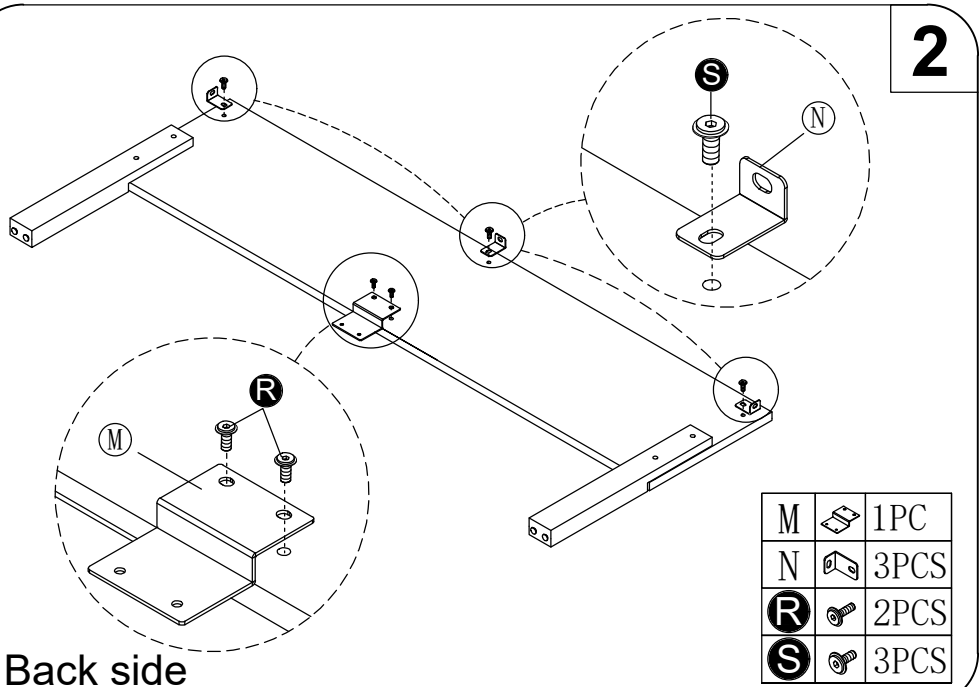


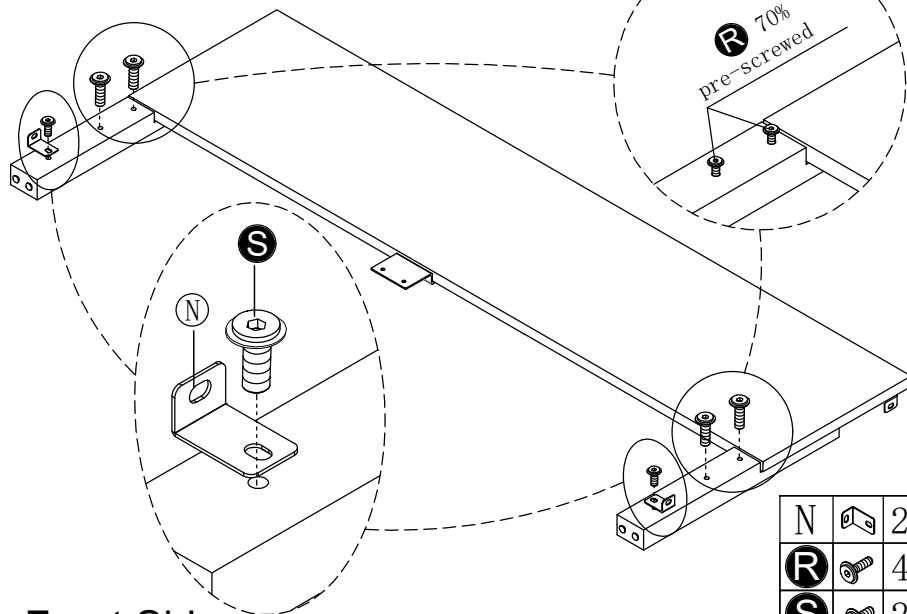
Part list

A 1PC  Top headboard	B 1PC  Bottom headboard	C 1PC  Footboard	D 4PCS  side rail	
E 2PCS  Slat	F1 1PC  Left wing	F2 1PC  Right wing	G 2PCS  Bedside foot	
H 1PC  Cross bar	I 2PCS  Middle support bar	J 2PCS  Wooden leg	K 1PC  Support leg	
L 2PCS  Connector	M 1PC  Bedside iron sheet	N 5PCS  Connector	O1 1PC  Right Corner Code	O2 1PC  Left Corner Code

Hardware list

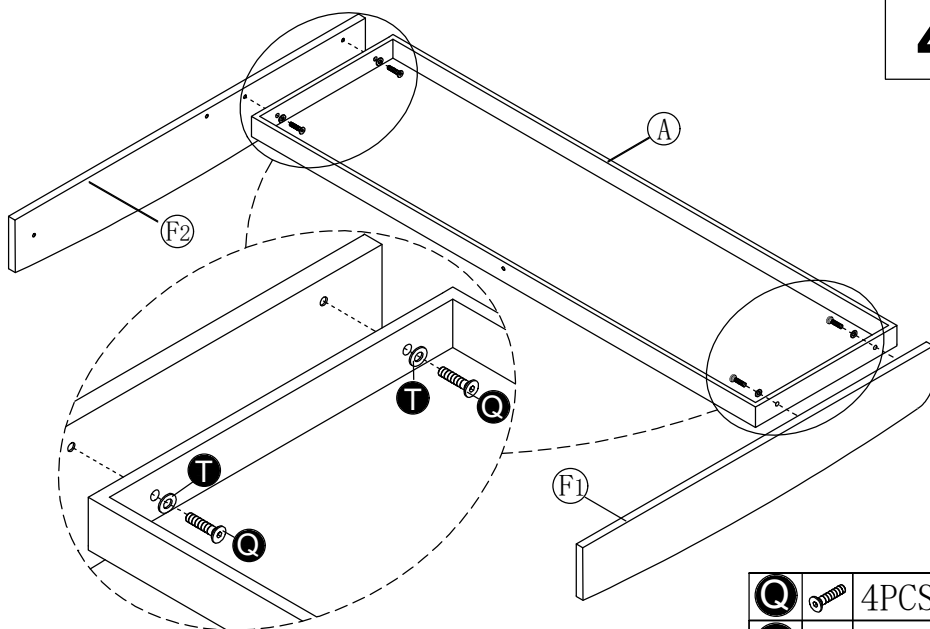
P  M8*50 5PCS	Q  M8*40 8PCS	R  M8*25 6PCS	S  M8*18 28PCS	T  ø22*ø8.5 8PCS	U  M8 Spanner 1PC
---	--	--	---	---	---

1**2**

3

Front Side

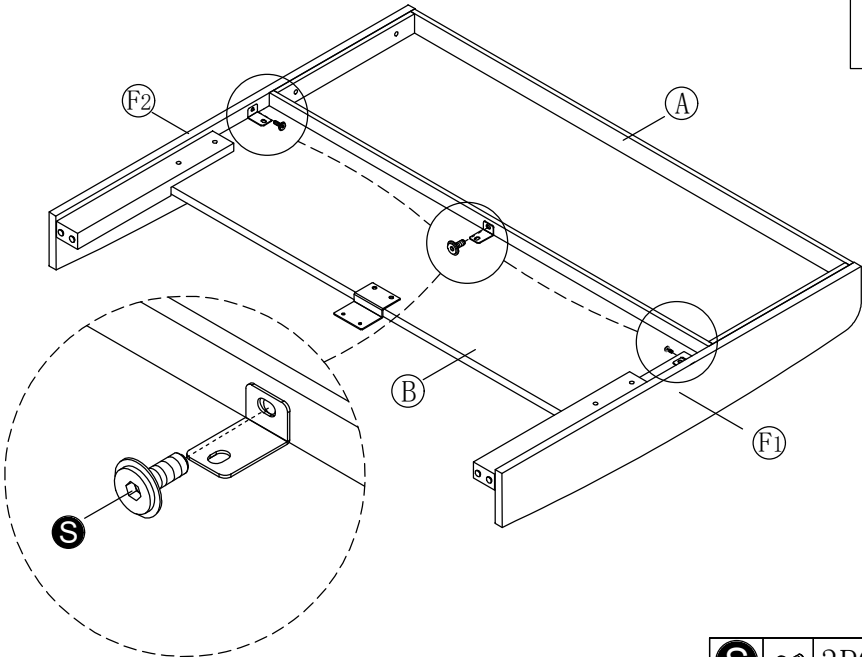
N		2PCS
R		4PCS
S		2PCS

4


Back side

Q		4PCS
T		4PCS

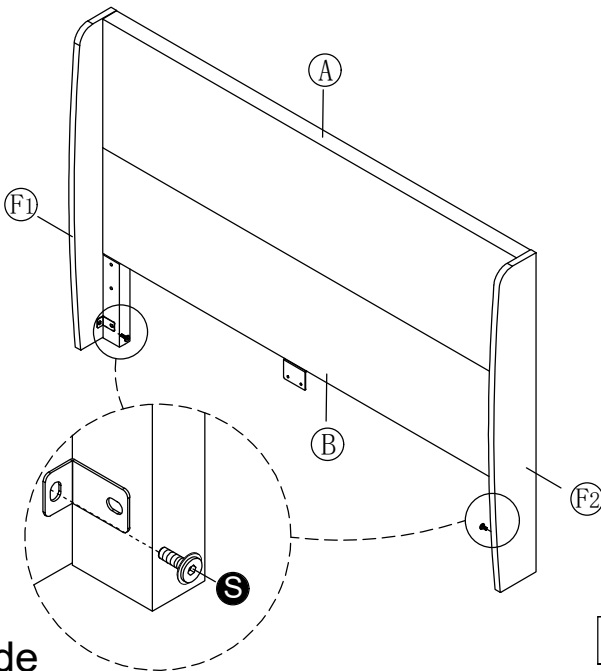
5




Back side

S  3PCS

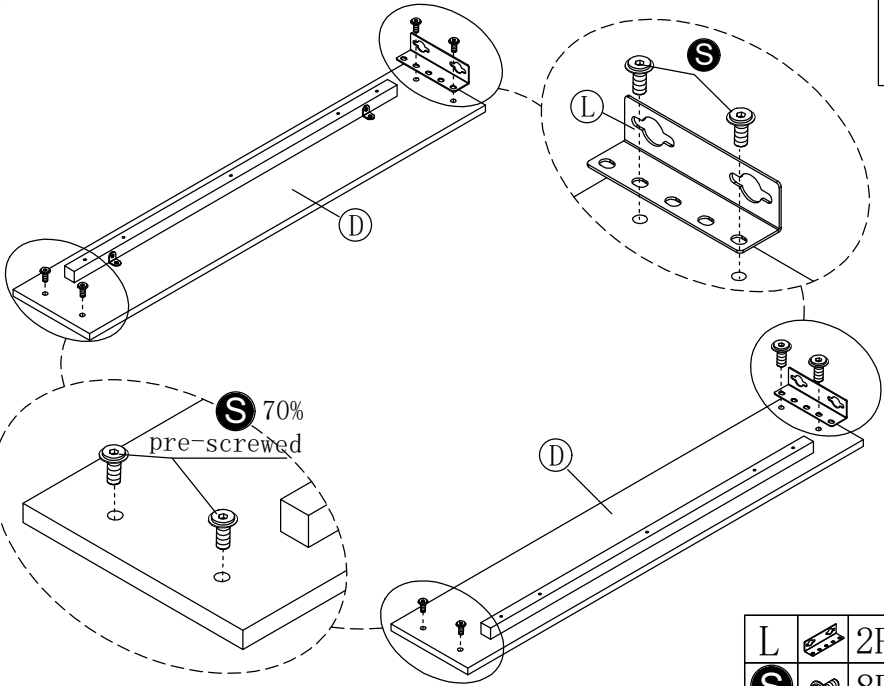
6



Front Side

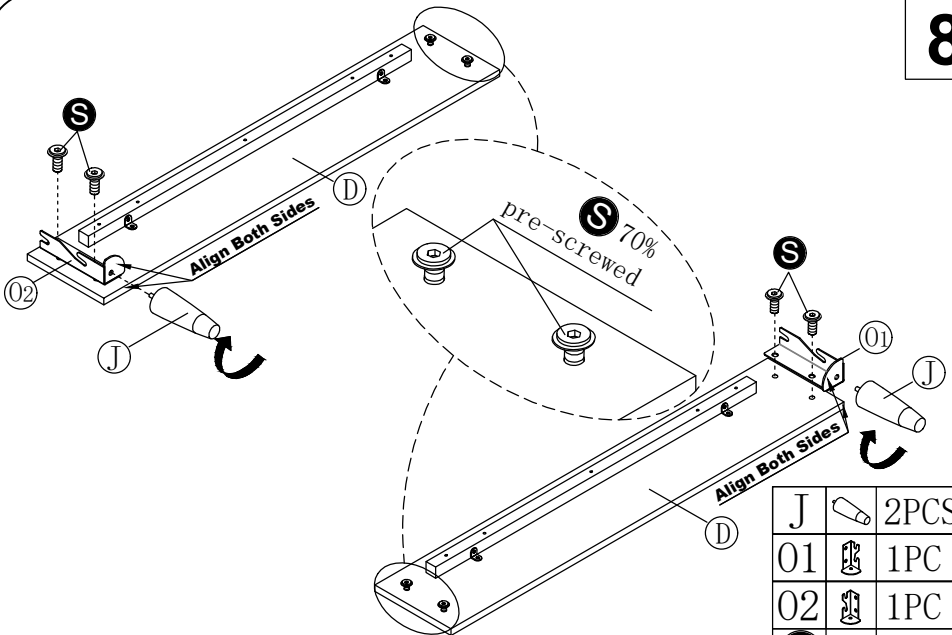
S  2PCS

7



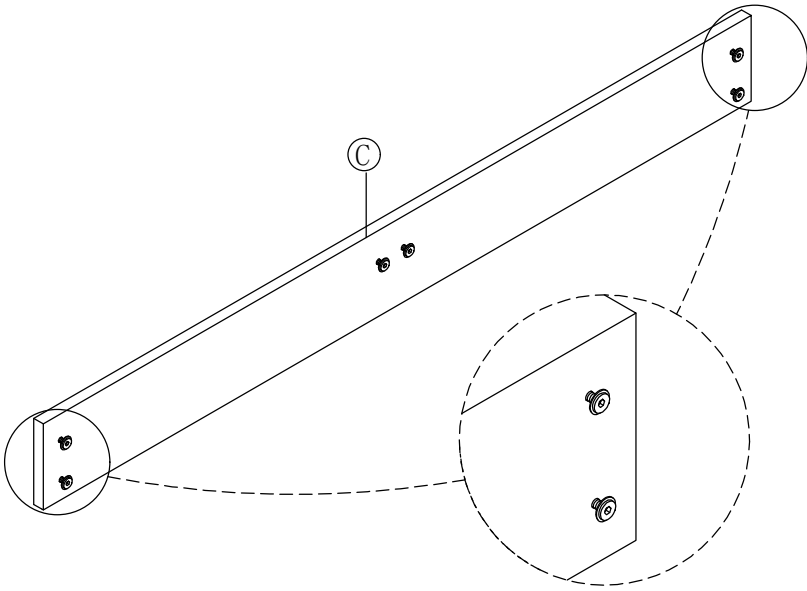
L		2PCS
S		8PCS

8



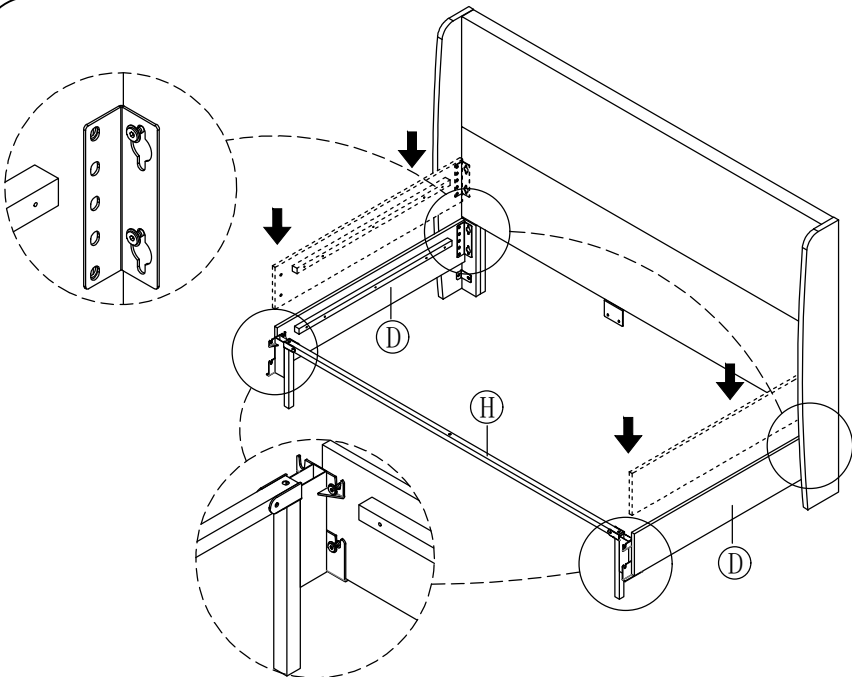
J		2PCS
O1		1PC
O2		1PC
S		8PCS

9

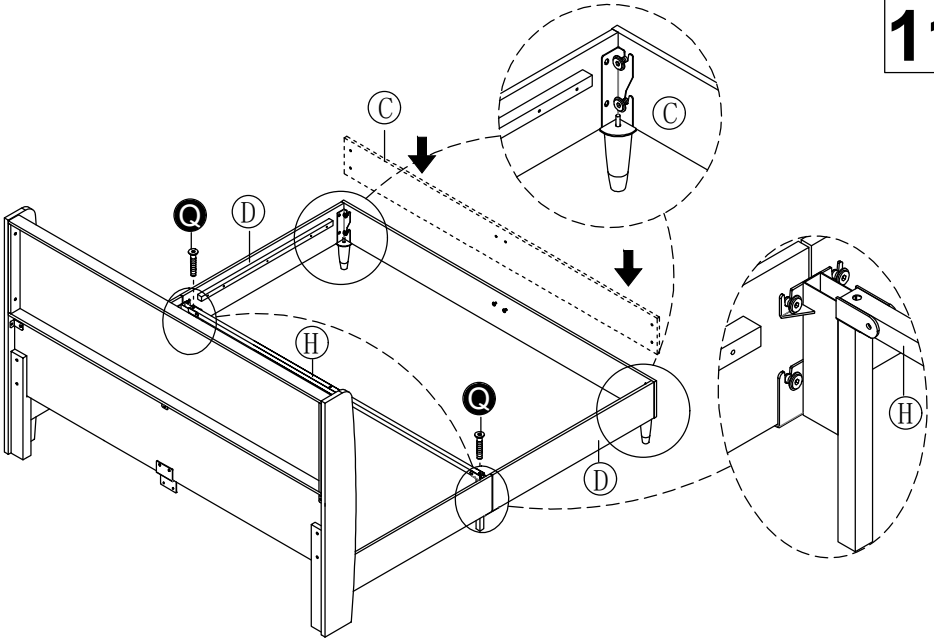


Loosen but don't remove the pre-installed screws.

10

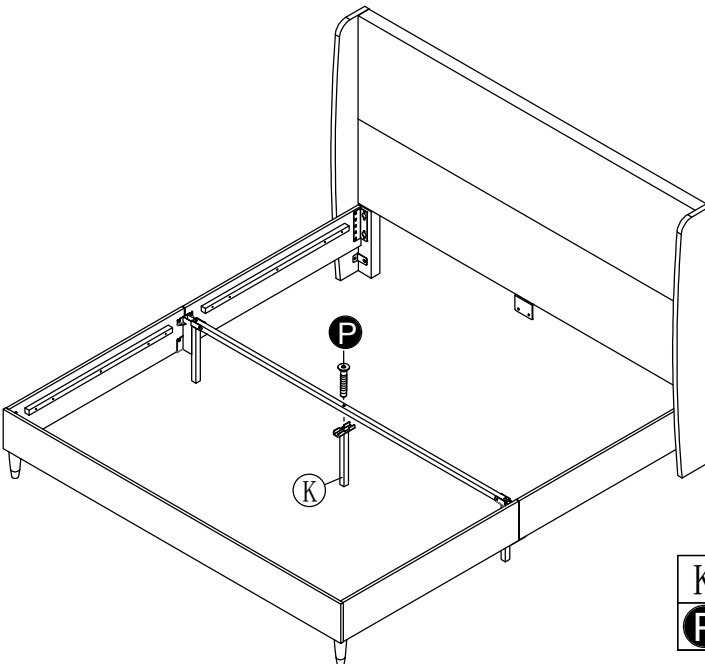




11



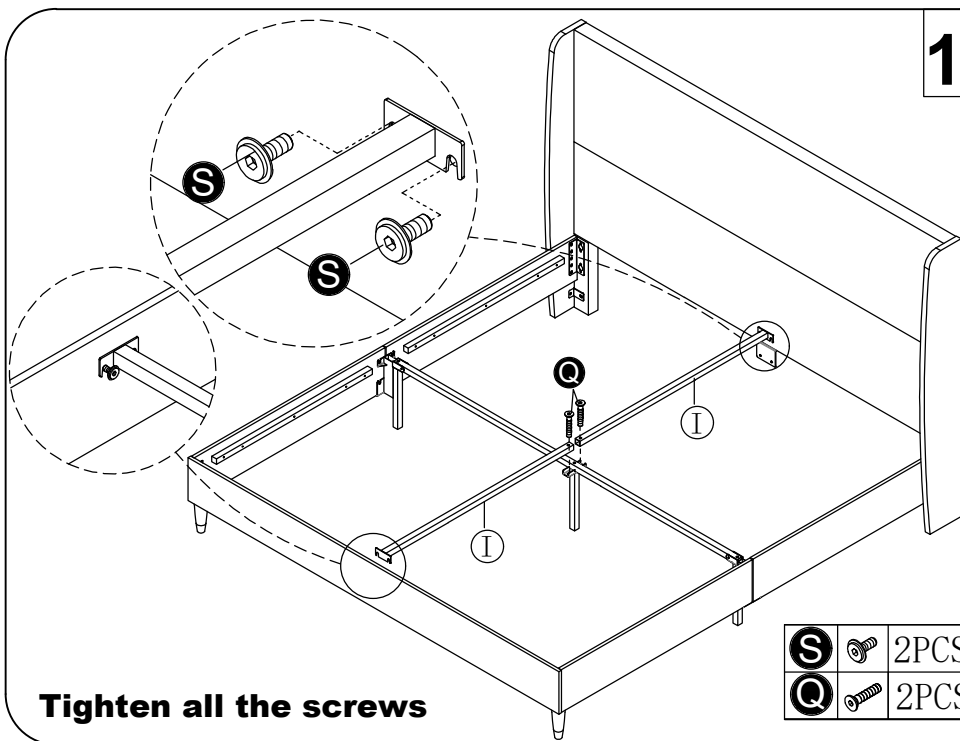
Q  2PCS

12



K  1PC
P  1PC

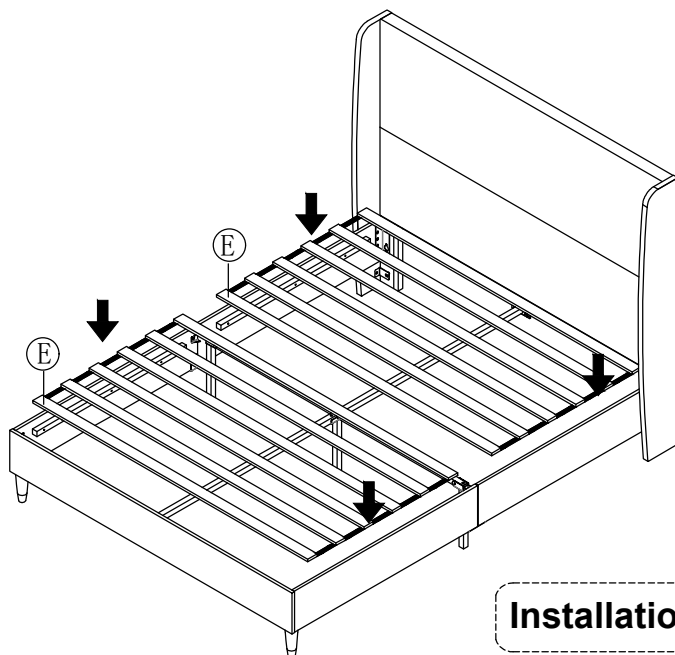
13



Tighten all the screws

S		2PCS
Q		2PCS

14



Installation Complete