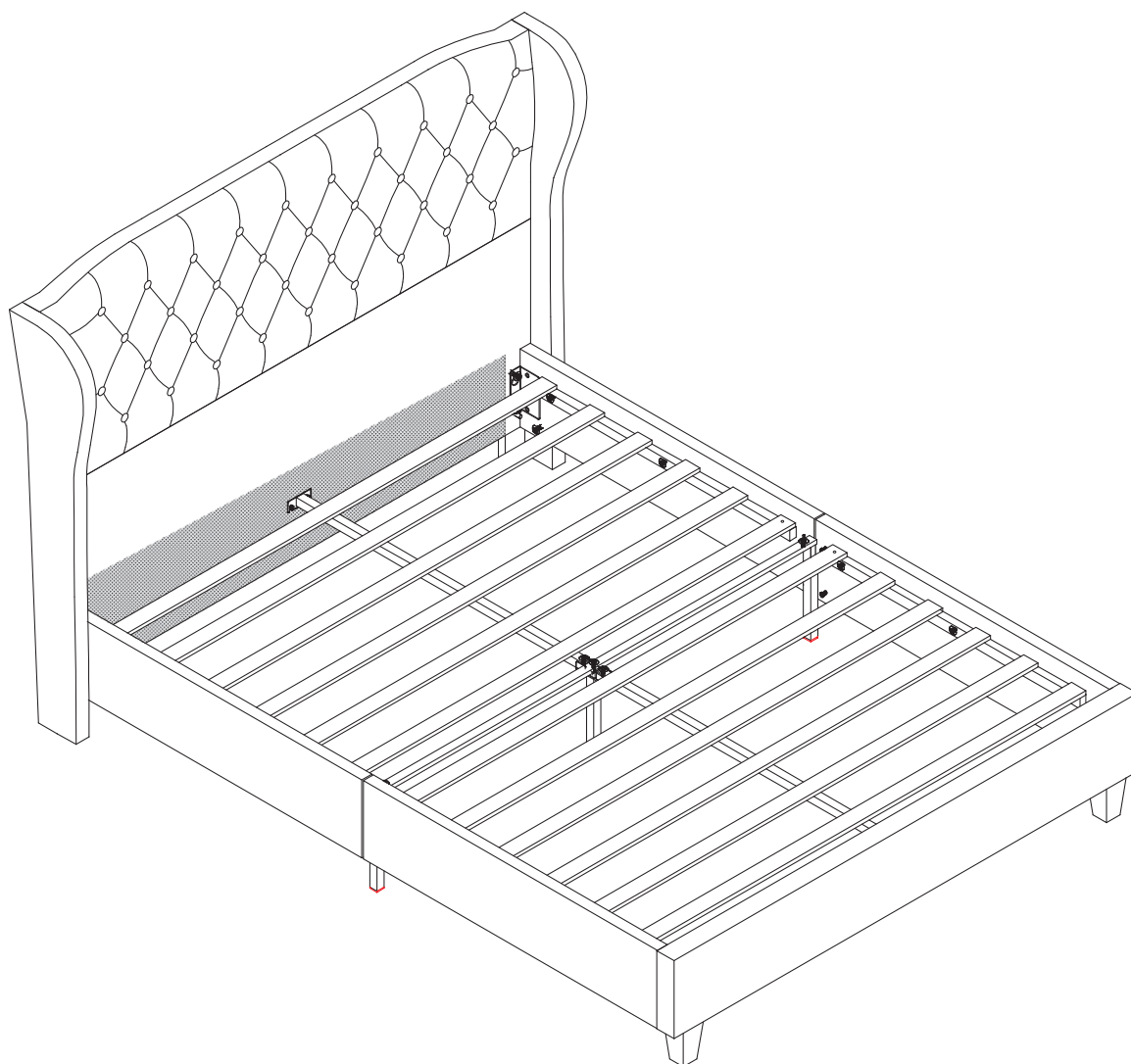


Upholstered Platform Bed with Deep Button Tufted Wingback Headboard Y101-Q

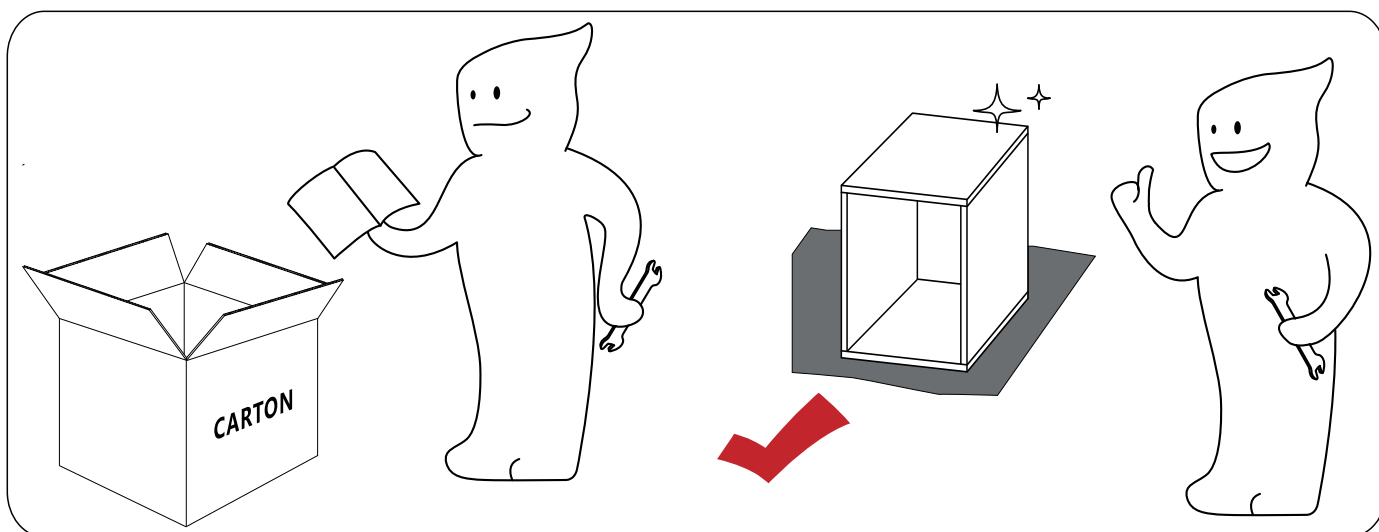
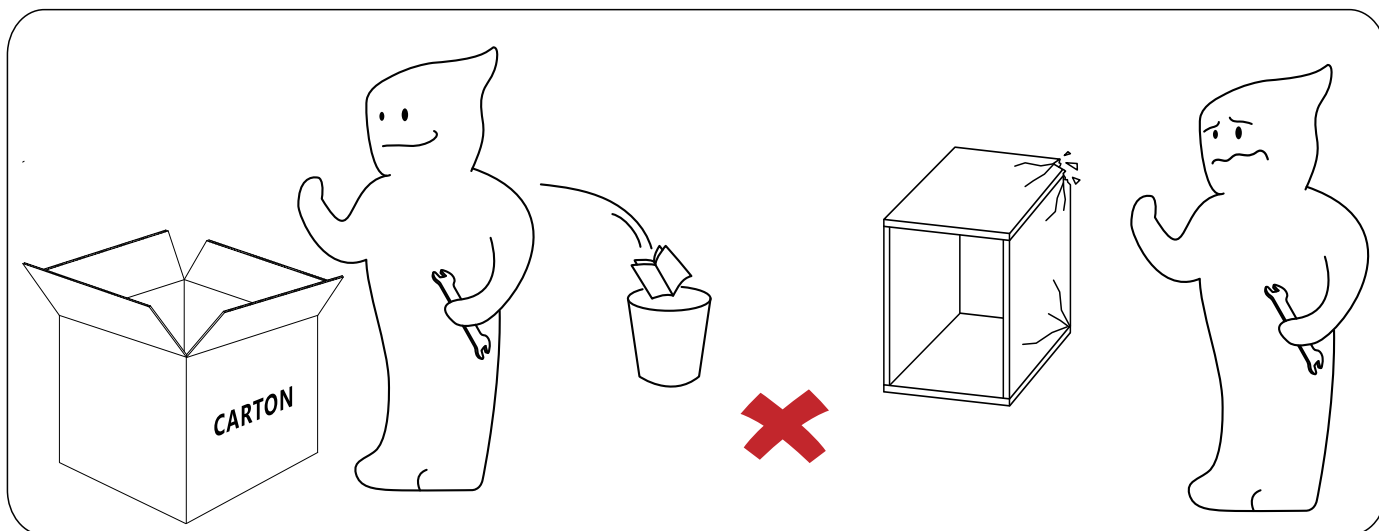


Dear Customers,

Thank you for purchasing our product. Please read this instruction manual carefully after receiving this product. It will help you assemble this product quickly, safely and correctly. You can keep this manual for future reference.

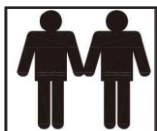
! IMPORTANT

Please follow the instruction manuals and use a pad to protect the product during your assembly.

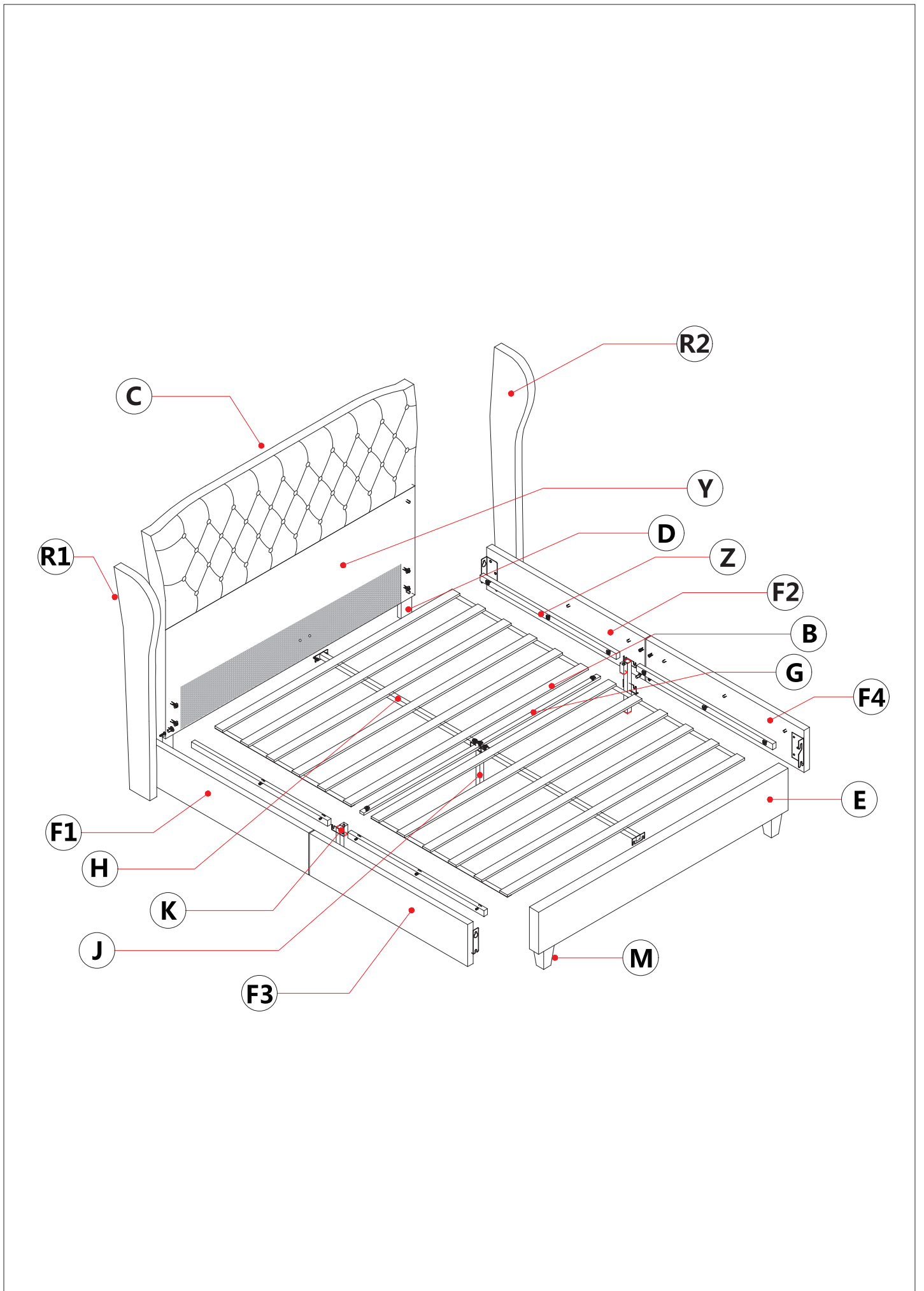


Note:

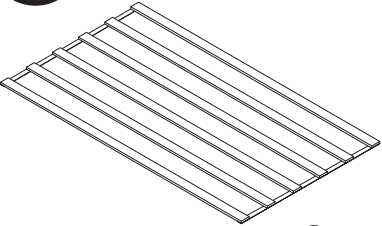
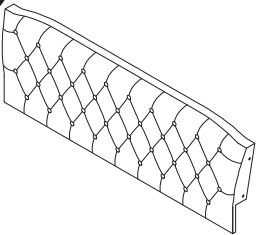
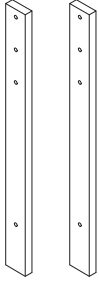
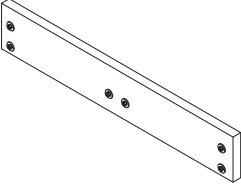
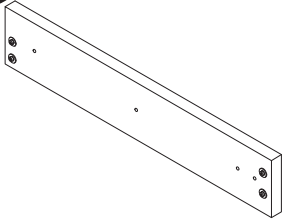
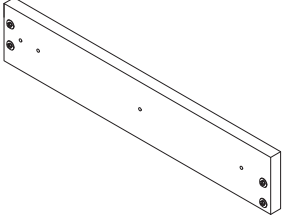
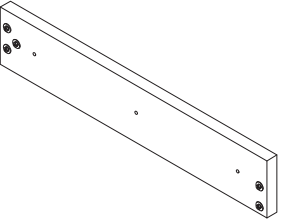
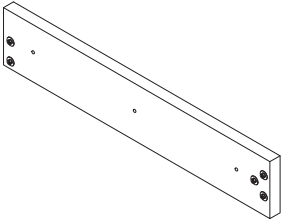
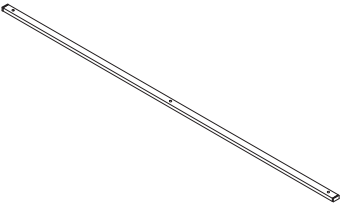
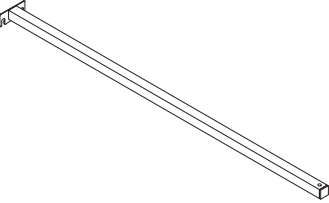


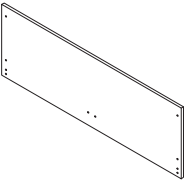
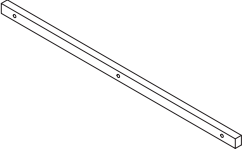
- 1. Should be assembled on flat ground to keep balance.**
- 2. Before completing the installation, do not tighten the screws.**



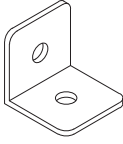
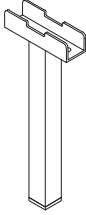
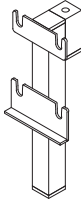
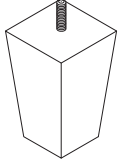
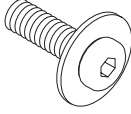
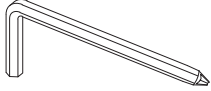
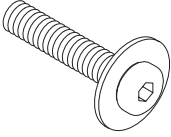
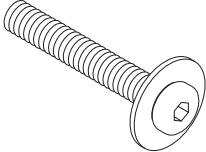
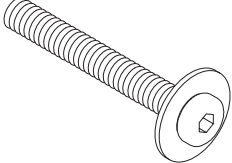
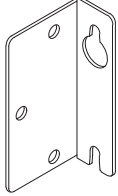
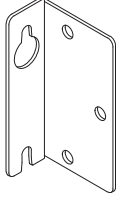
For easier and better assembly, **2** or more adults are required.

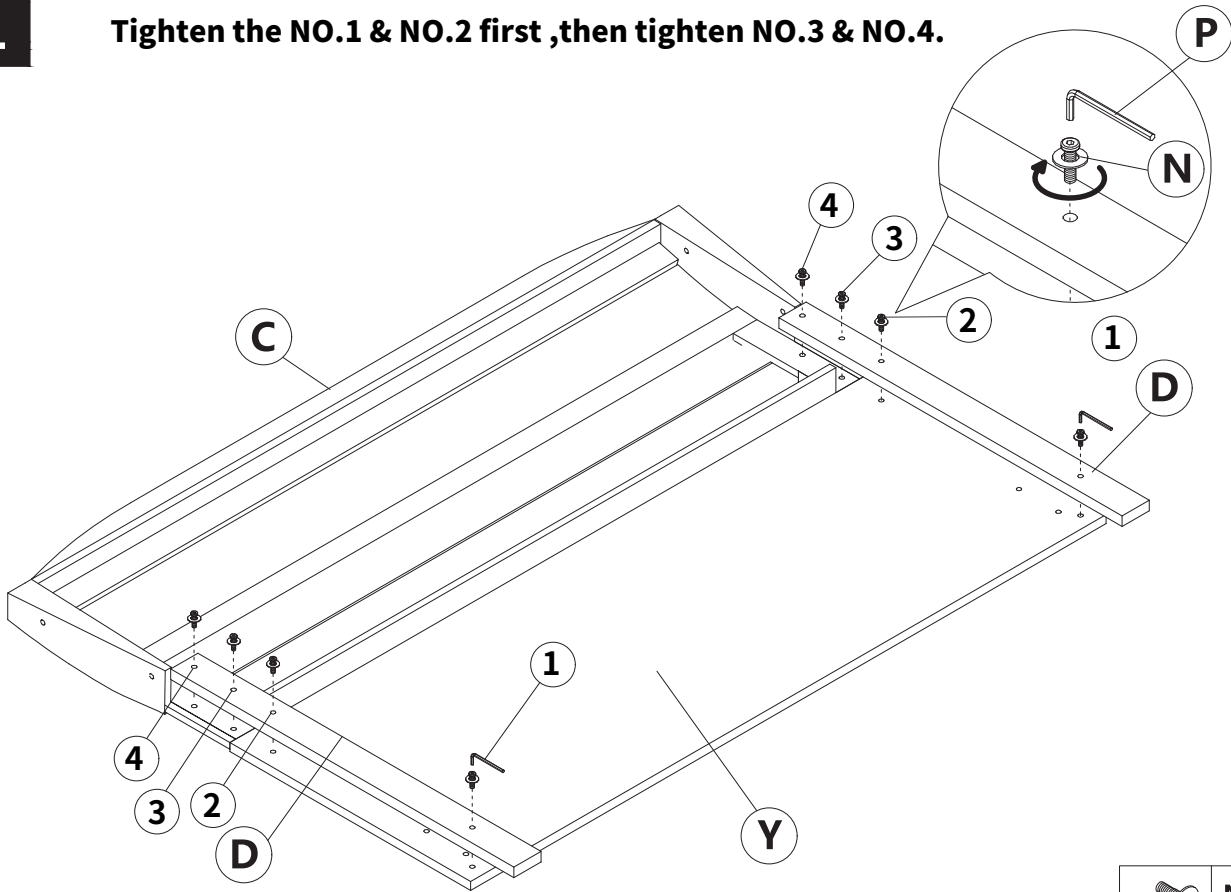




BED FRAME PARTS LIST

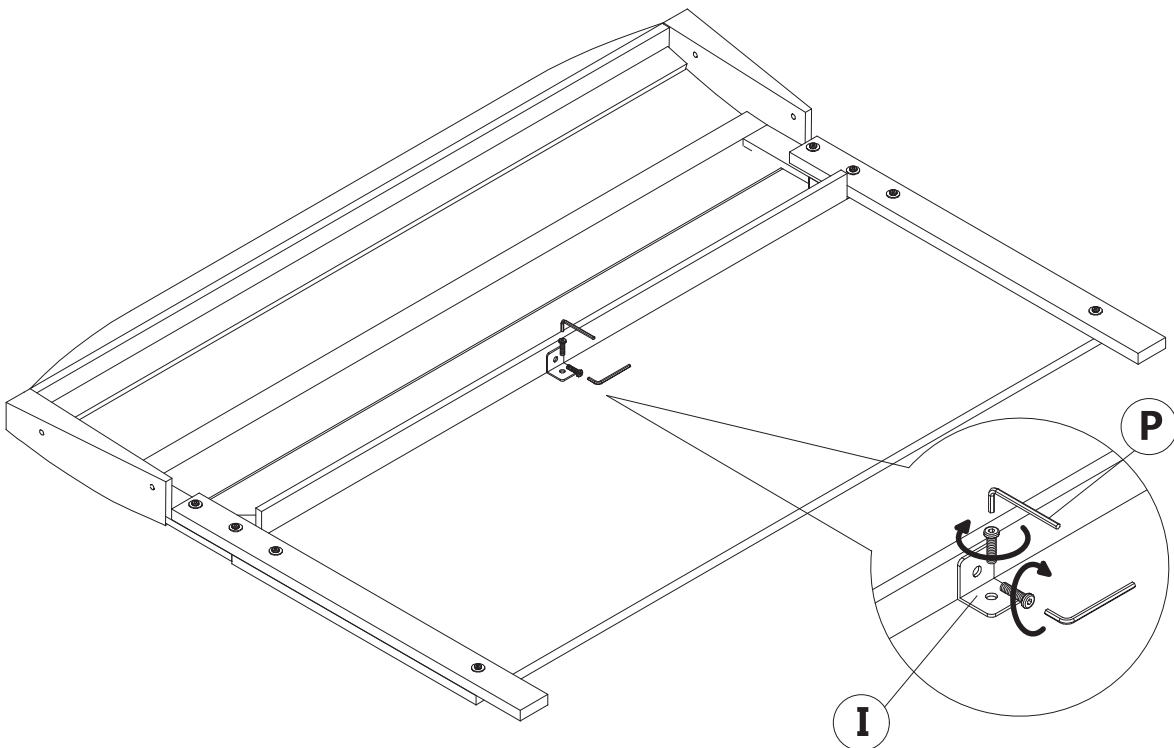
<p>(B)</p>  <p>2pcs</p>	<p>(C)</p>  <p>1pc</p>	<p>(D)</p>  <p>2pcs</p>
<p>(E)</p>  <p>1pc</p>	<p>(F1)</p>  <p>1pc</p>	<p>(F2)</p>  <p>1pc</p>
<p>(F3)</p>  <p>1pc</p>	<p>(F4)</p>  <p>1pc</p>	<p>(G)</p>  <p>1pc</p>
<p>(H)</p>  <p>2pcs</p>	<p>(R1)</p>  <p>1pc</p>	<p>(R2)</p>  <p>1pc</p>
<p>(Y)</p>  <p>1pc</p>	<p>(Z)</p>  <p>4pcs</p>	



FITTING PART LIST

<p>I</p>  <p>1pc</p>	<p>J</p>  <p>1pc</p>	<p>K</p>  <p>2pcs</p>
<p>M</p>  <p>2pcs</p>	<p>N</p>  <p>25pcs+1pc</p>	<p>P</p>  <p>1pc</p>
<p>Q</p>  <p>2pcs</p>	<p>Q1</p>  <p>2pcs</p>	<p>Q2</p>  <p>2pcs</p>
<p>W</p>  <p>2pcs</p>	<p>X</p>  <p>2pcs</p>	

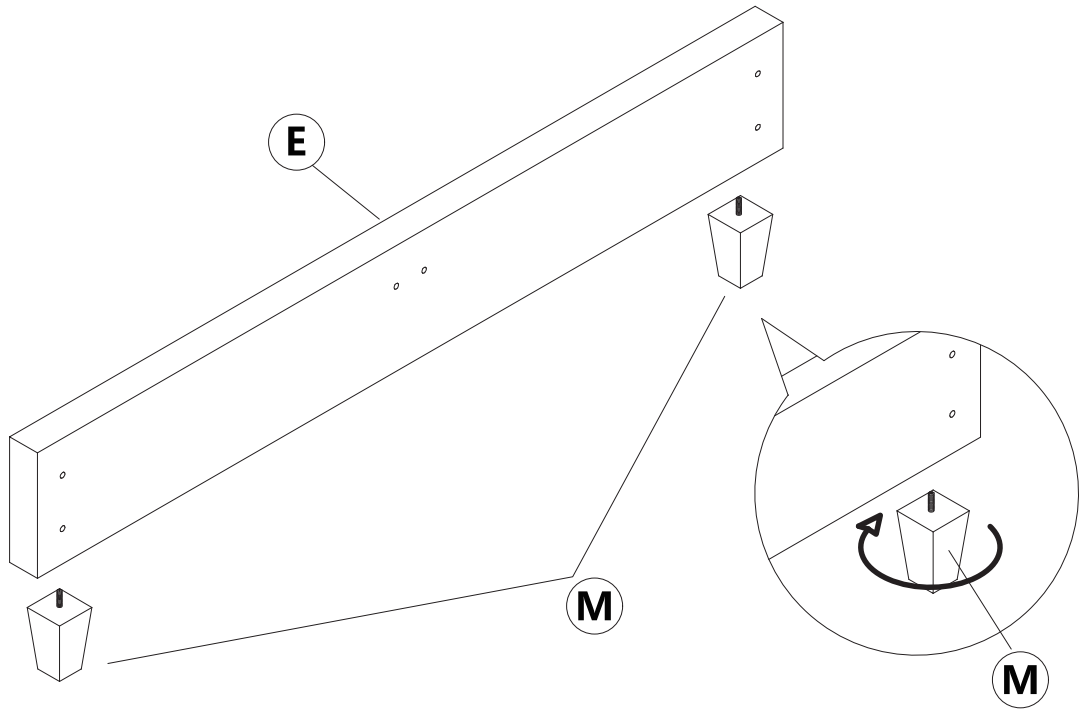
1**Tighten the NO.1 & NO.2 first ,then tighten NO.3 & NO.4.**

	N x 8pcs
	P x 1pc

2**L Shape connector Iron plate**

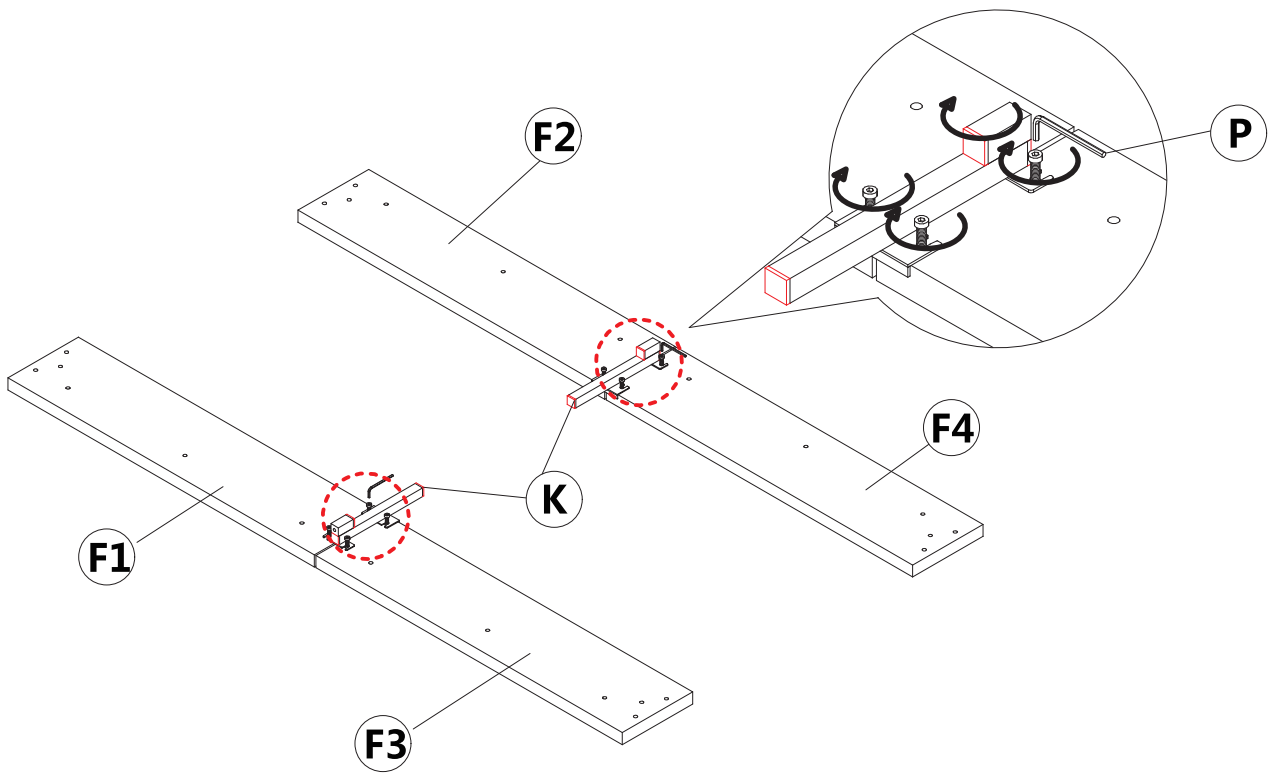
	I x 1pc
	P x 1pc

3



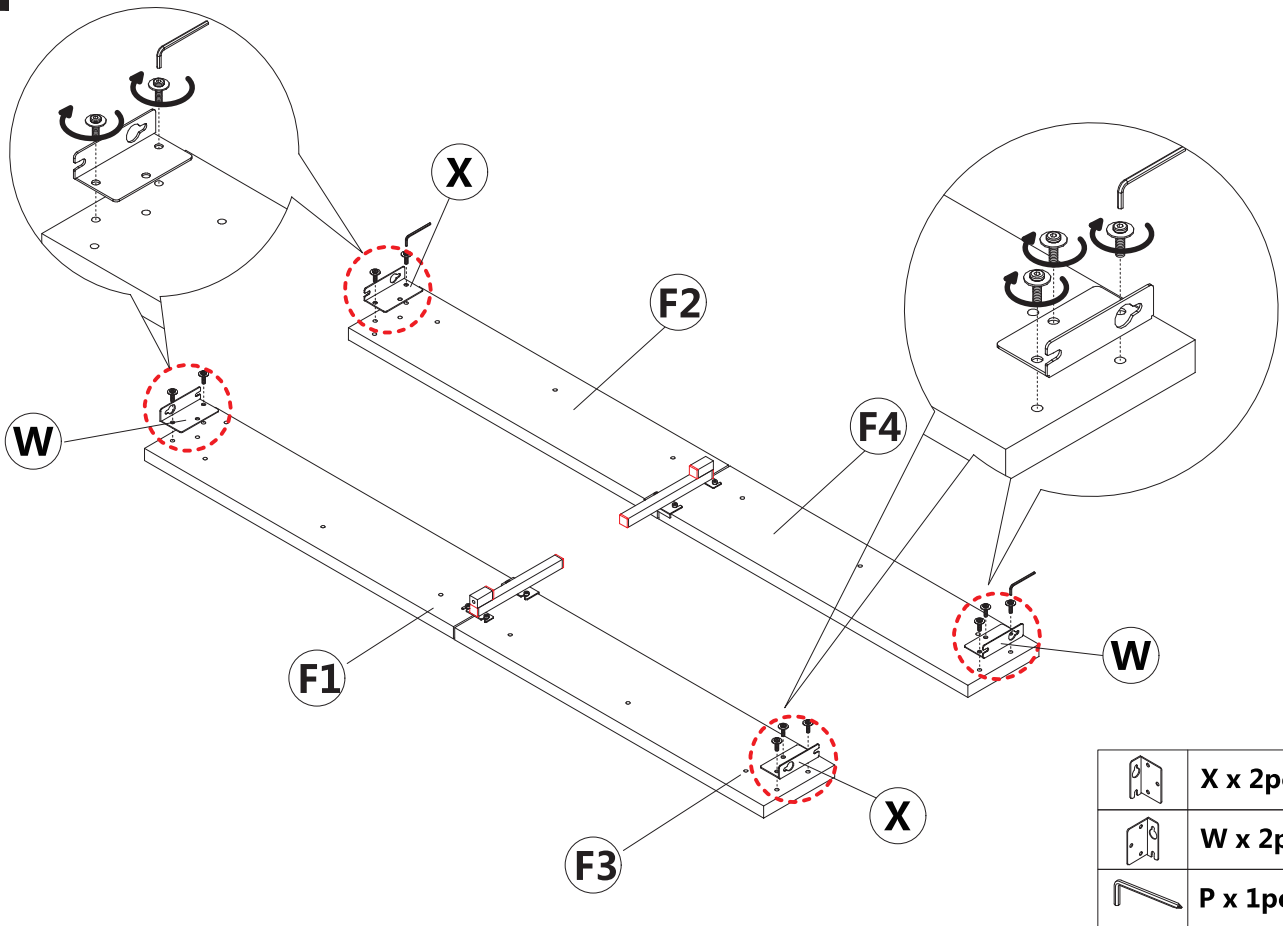
4

Loosen the screw of siderails, install the edge of the foot, and tighten the innerscrew.

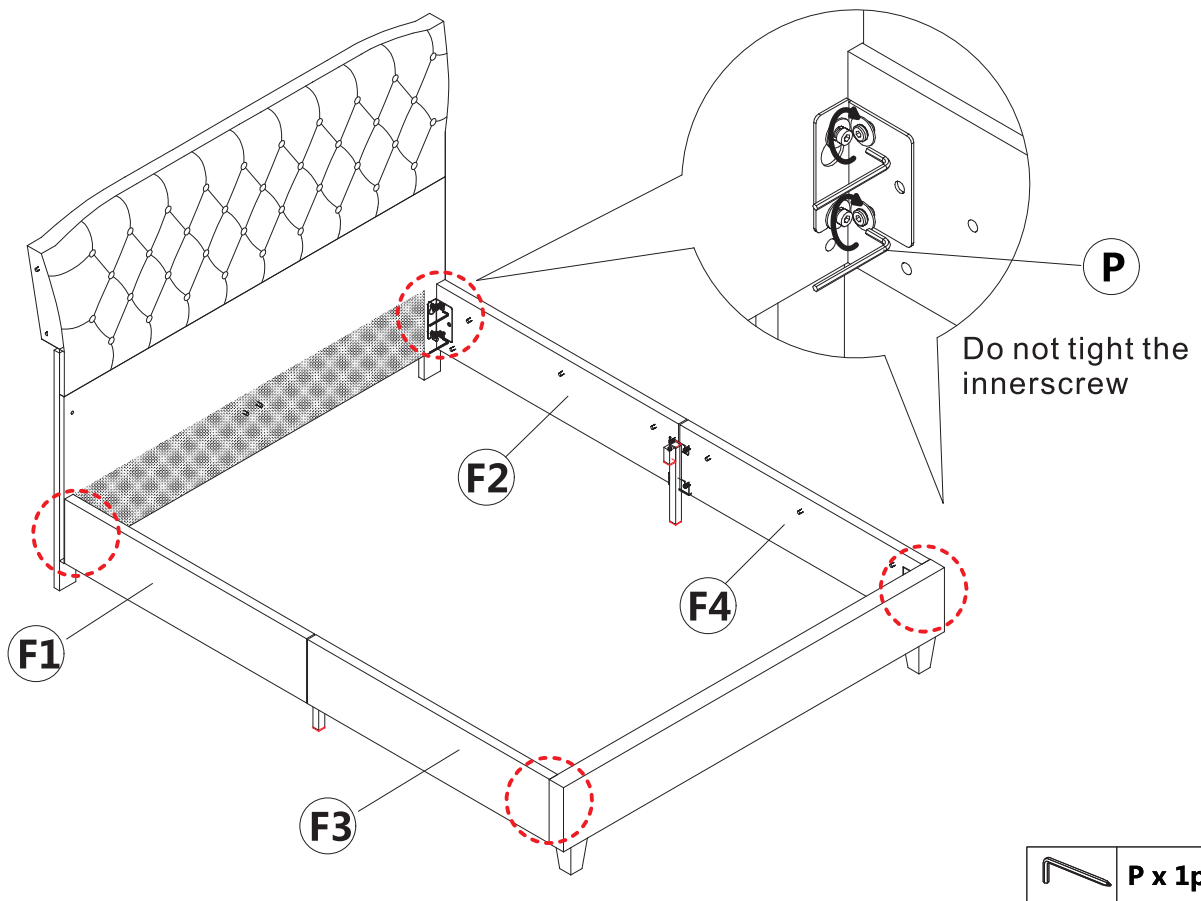


5

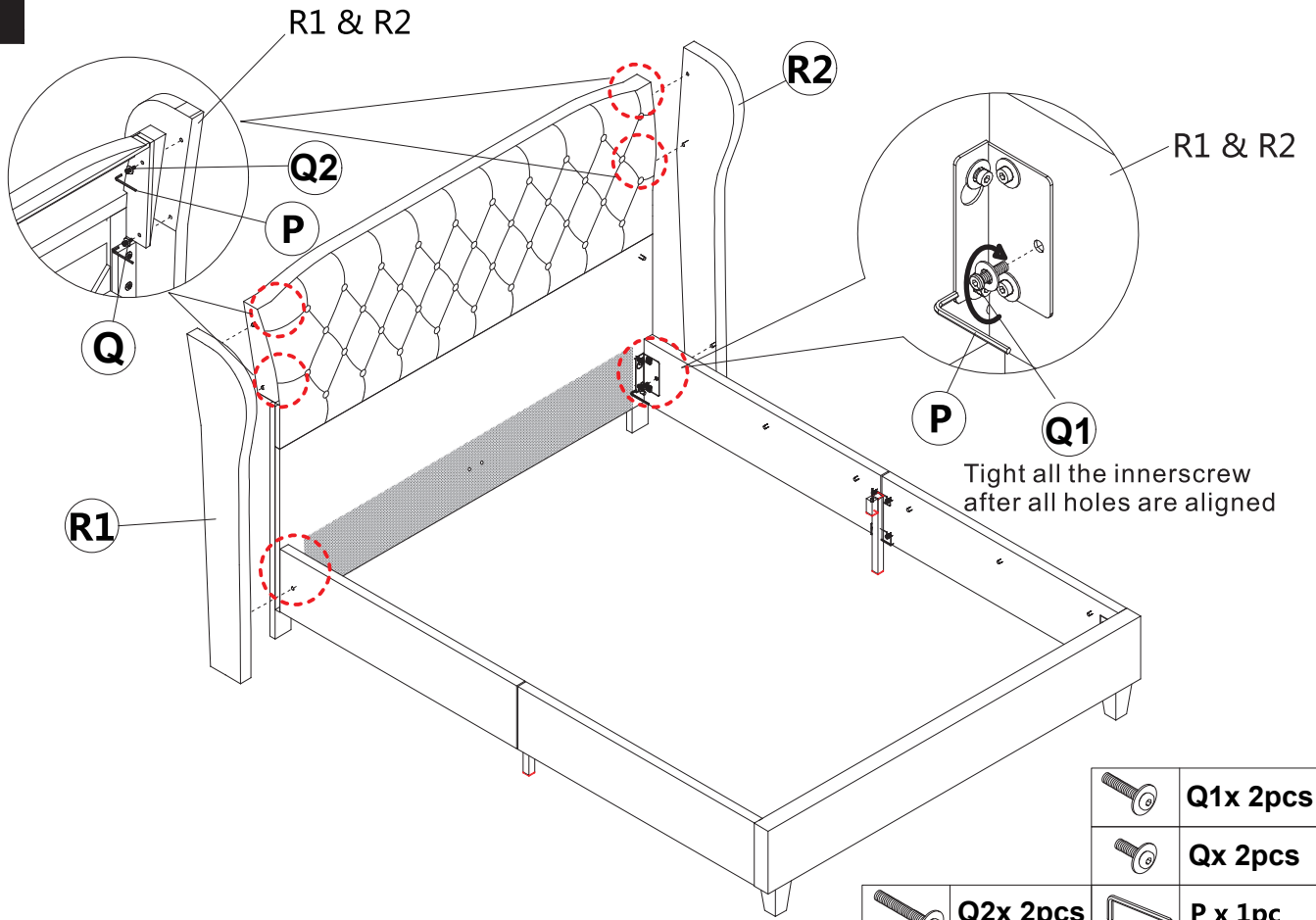
Loosen the screw of siderails, install the edge of the foot, and tighten the innerscrew.





**6**

Loosen the screw of headboard side leg and both sides of footboard, hanging the bracket and do not lock the innerscrew so tight.

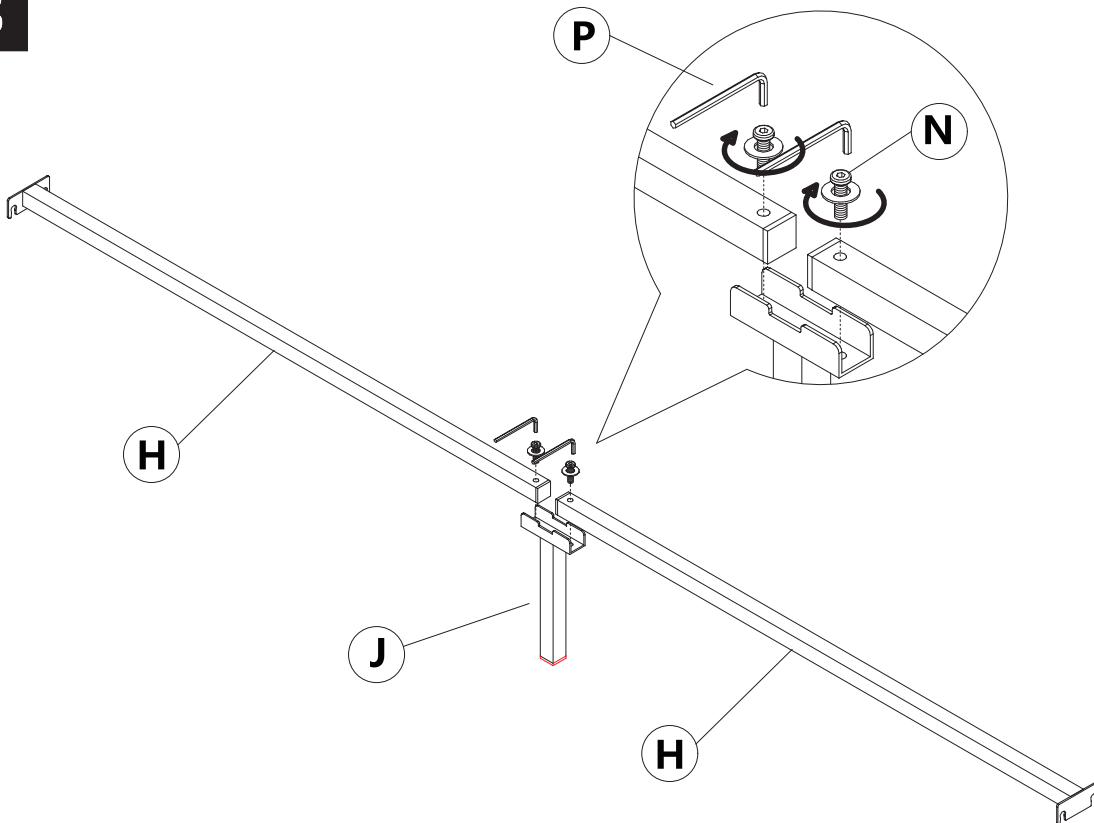




7



	Q1x 2pcs
	Qx 2pcs
	Q2x 2pcs
	P x 1pc

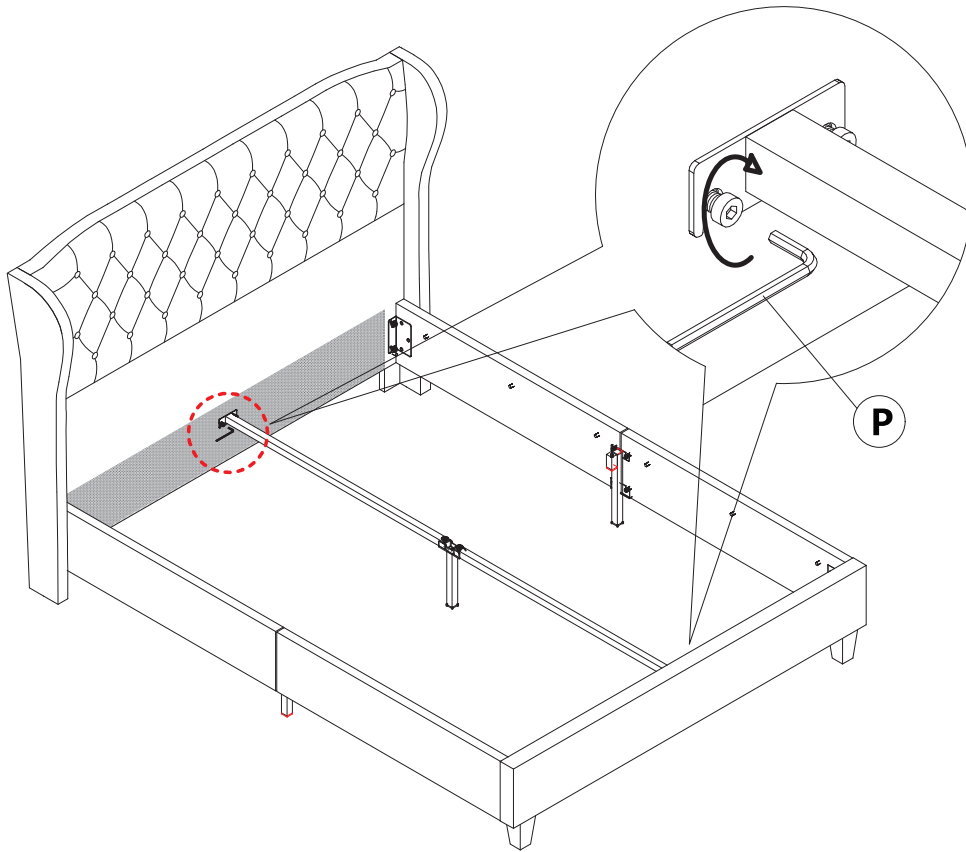
8



	N x 2pcs
	P x 1pc

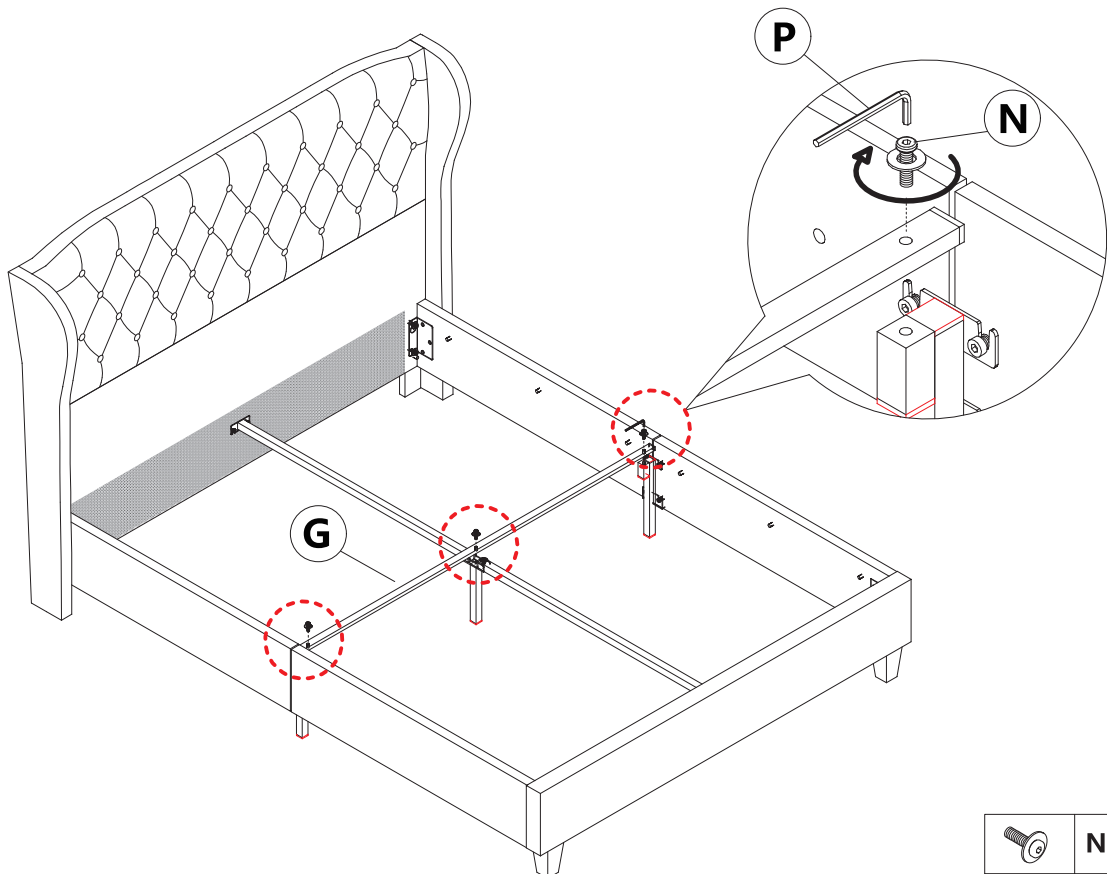
9


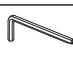
Loosen the screw of the middle of footboard, hanging the bracket and tight the innerscrew.



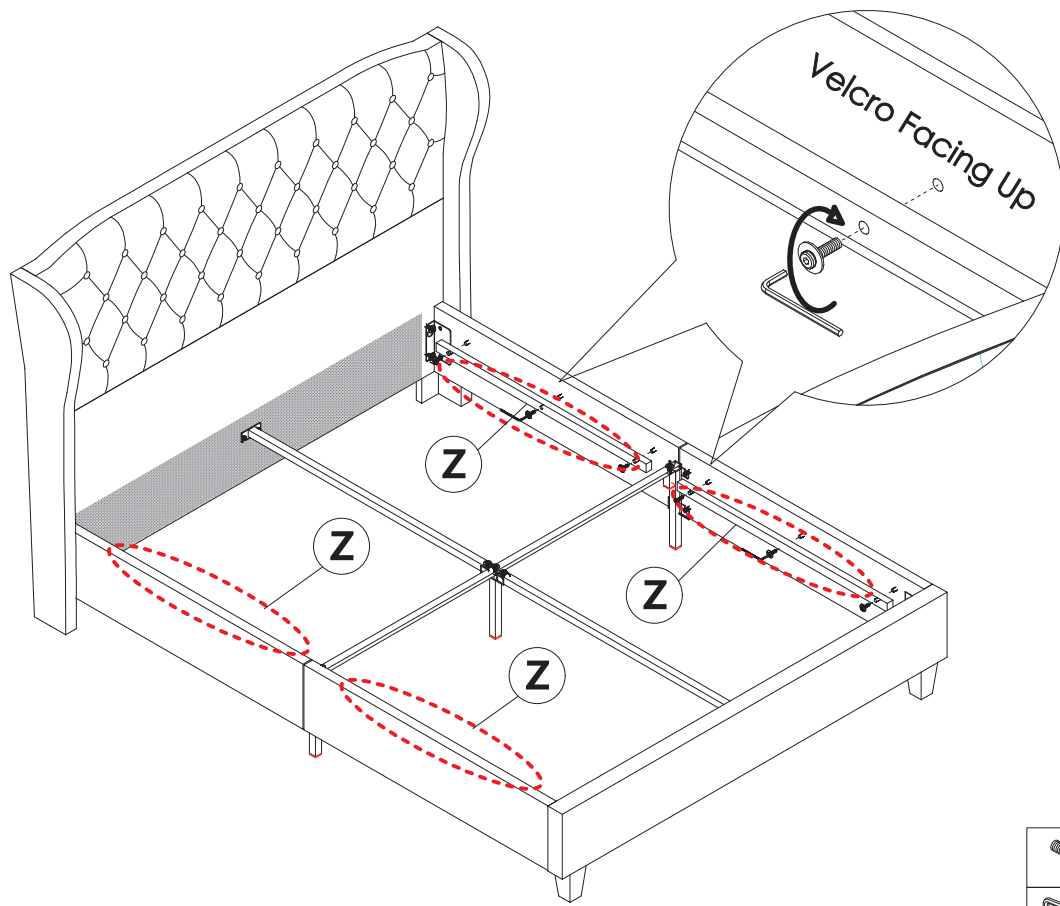
	P x 1pc
---	---------



10



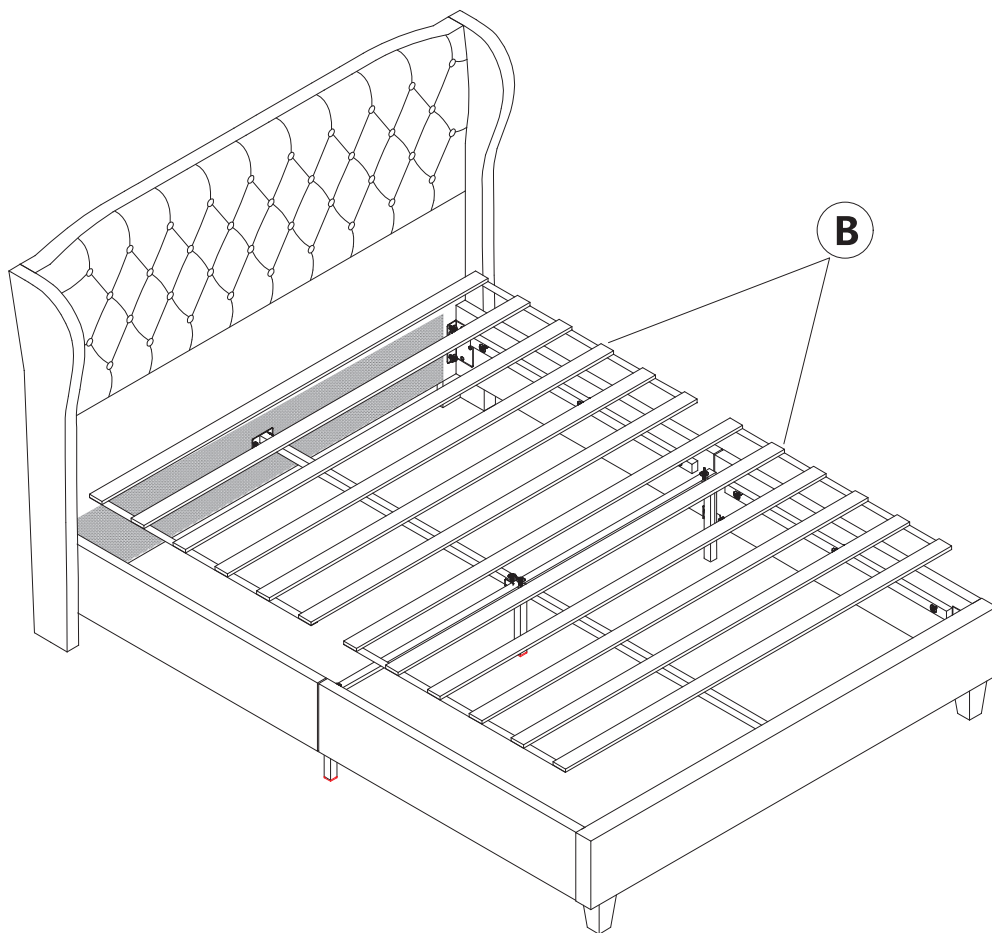
	N x 3pcs
	P x 1pc

11

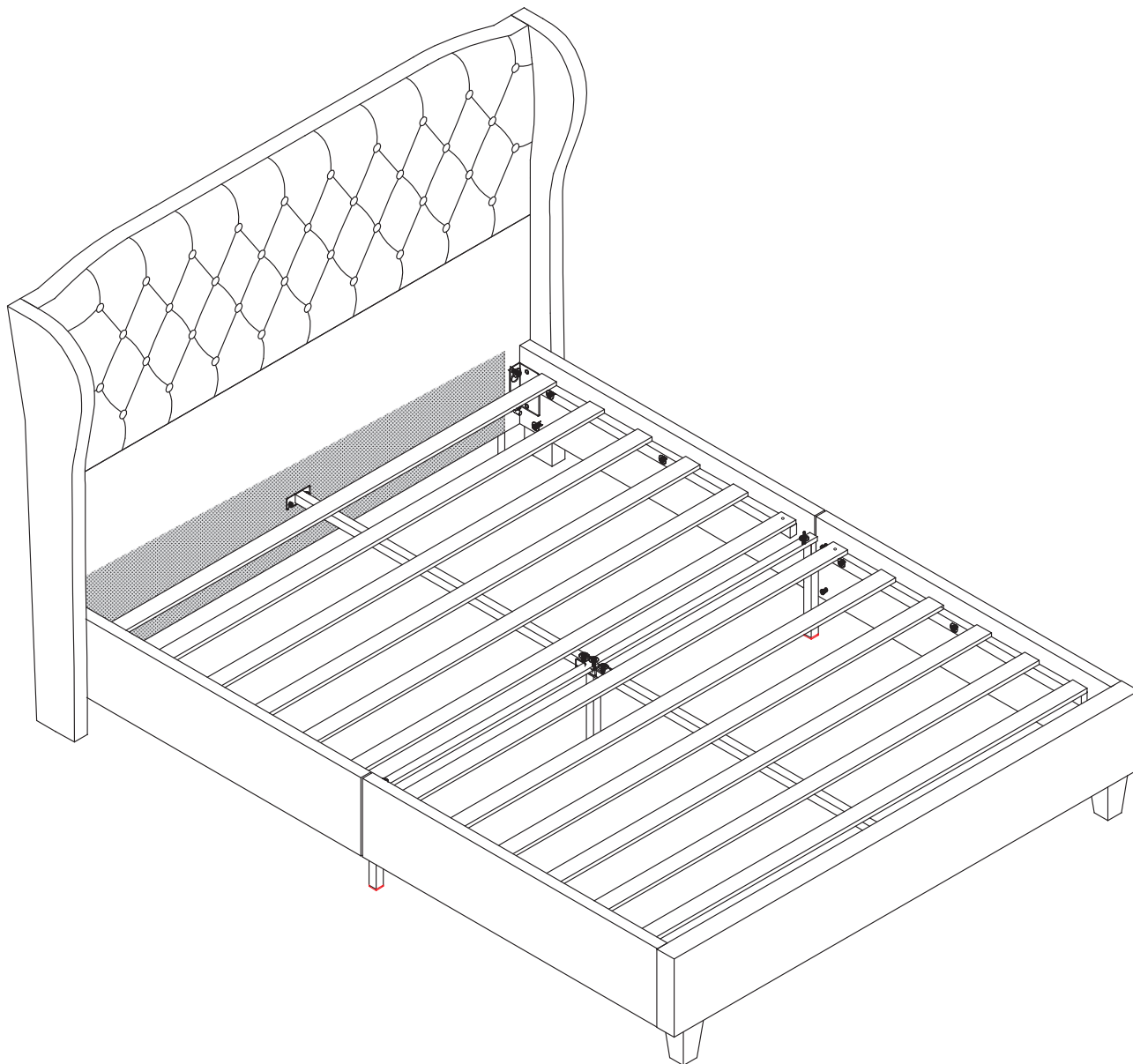


	N x 12pcs
	P x 1pc

12



13



Installation Complete