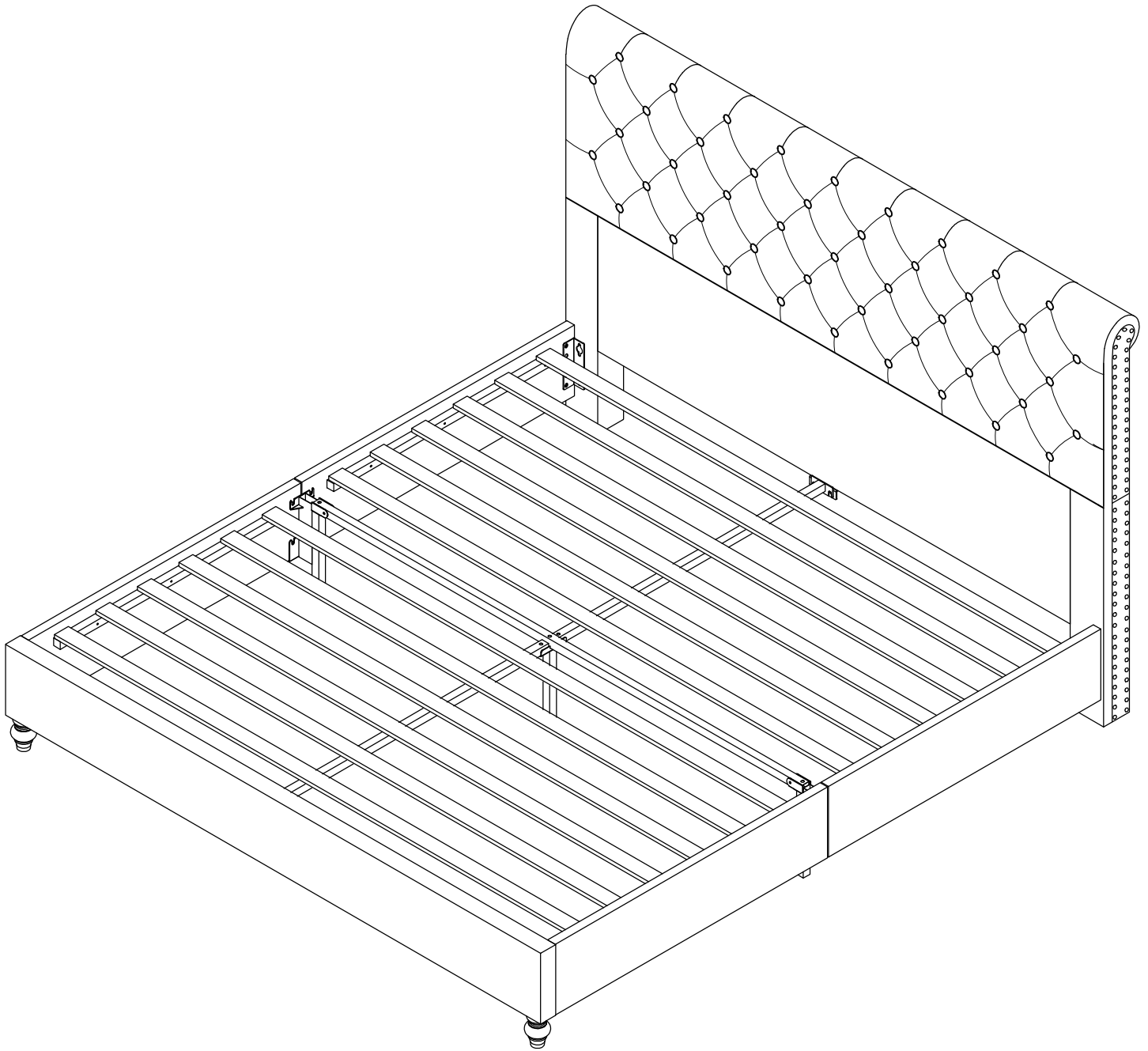


# Upholstered Platform Bed with Tufted Wingback Headboard.

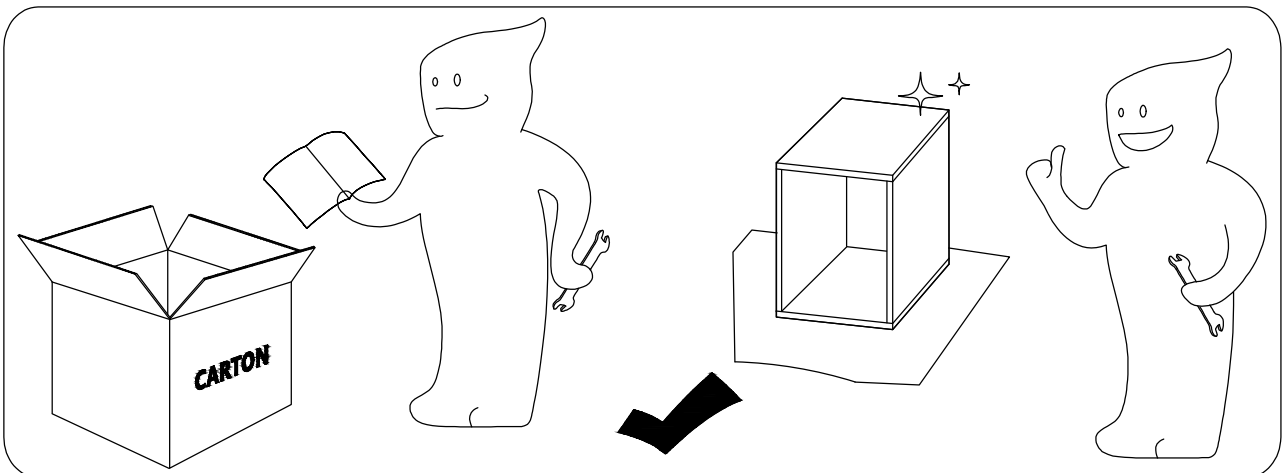
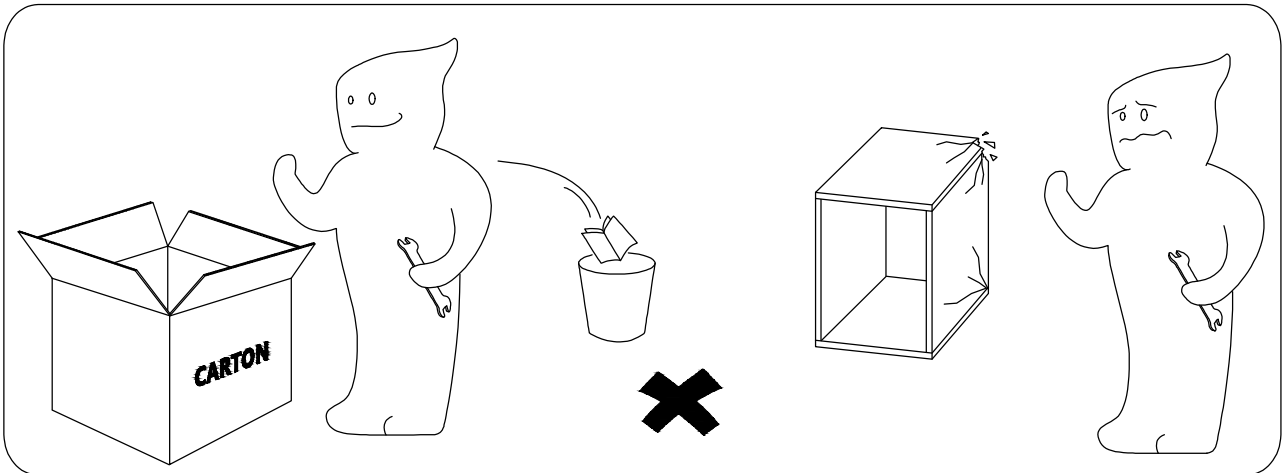


Dear Customers,

Thank you for purchasing our product. Please read this instruction manual carefully after receiving this product. It will help you assemble this product quickly, safely and correctly. You can keep this manual for future reference.

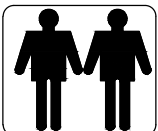
# ! IMPORTANT

Please follow the instruction manuals and use a pad to protect the product during your assembly.

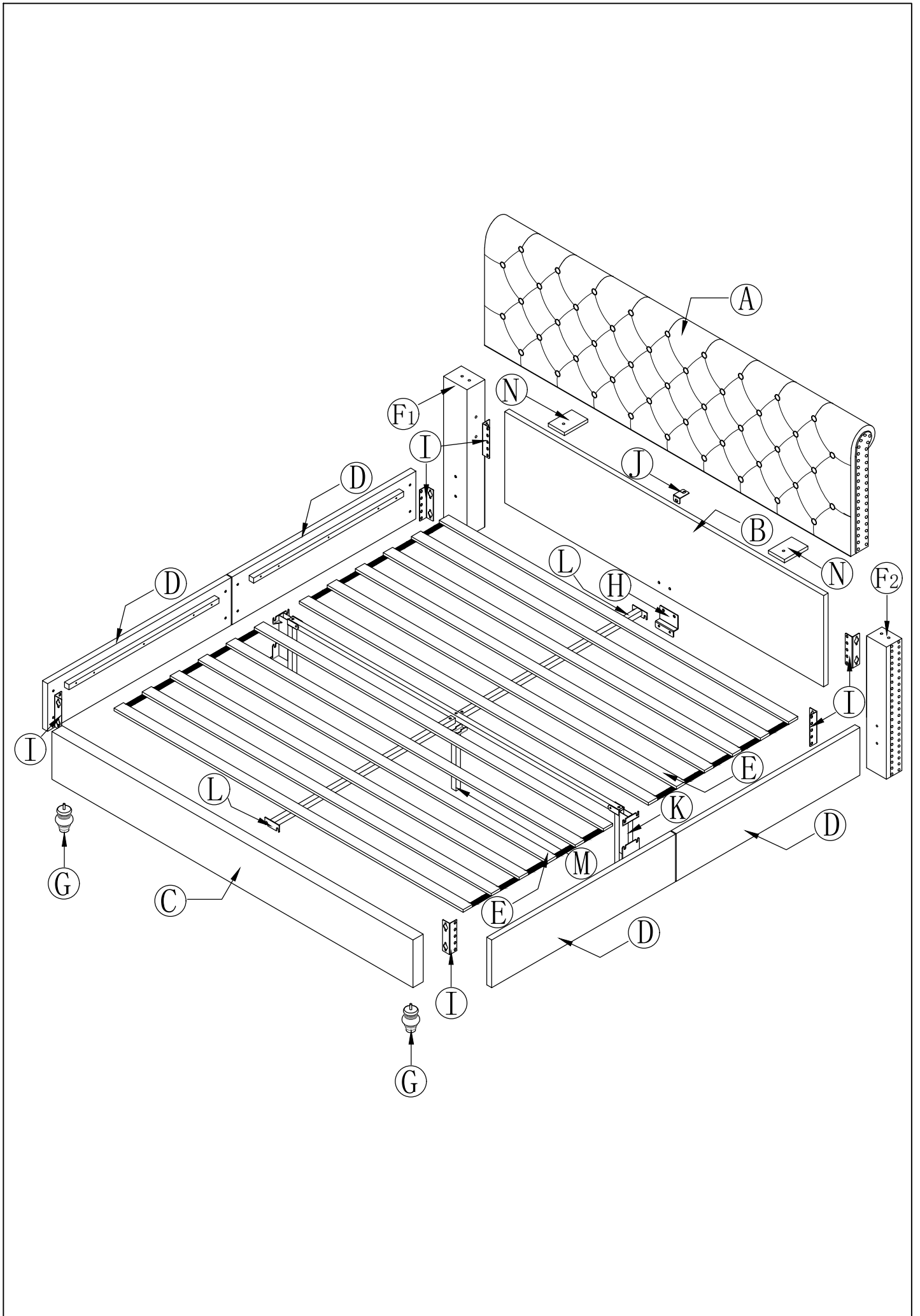


Note:

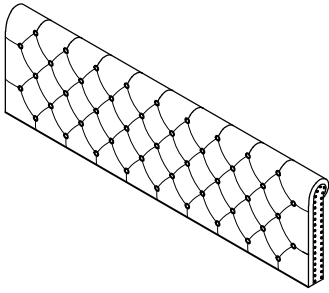
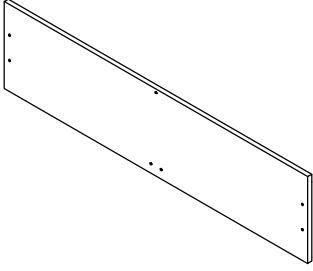
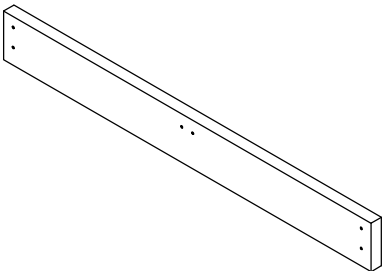
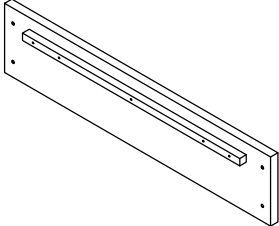
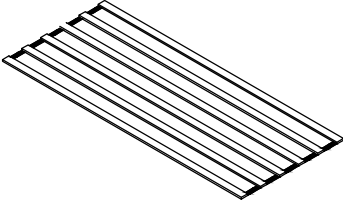
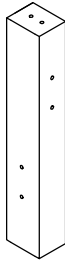
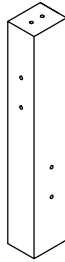
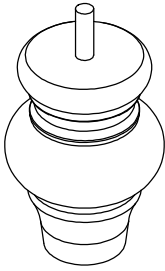
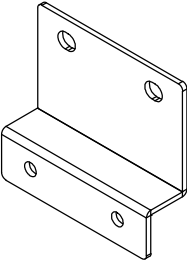
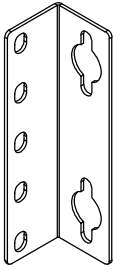
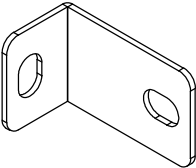
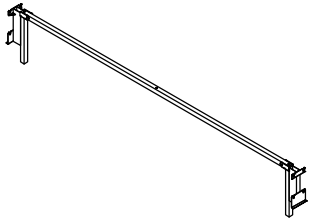
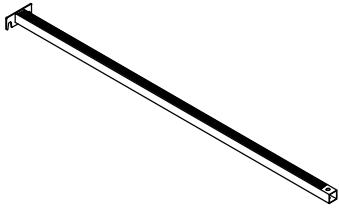
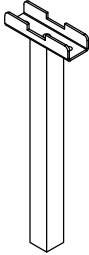
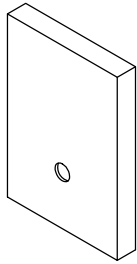
1. Should be assembled on flat ground to keep balance.
2. Before completing the installation, do not tighten the screws.



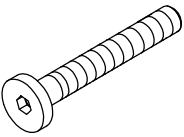
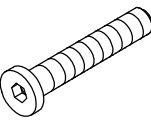
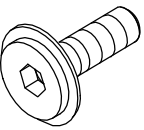
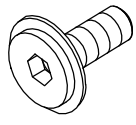
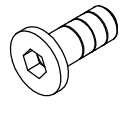
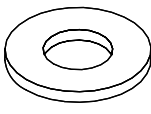
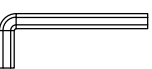
For easier and better assembly, 2 or more adults are required.

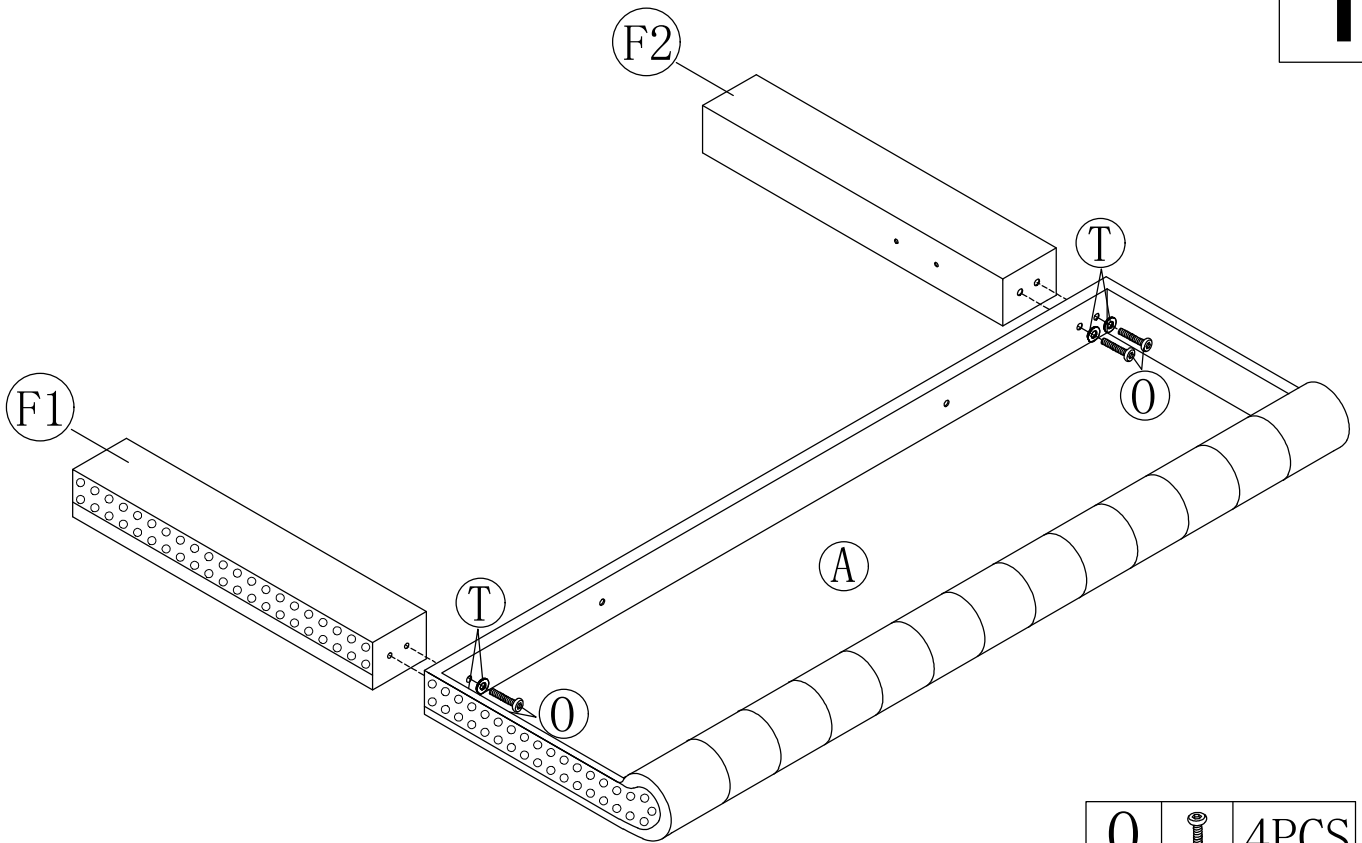


# Part list



<b>A</b> 1PC  Top headboard	<b>B</b> 1PC  Bottom headboard	<b>C</b> 1PC  Footboard	
<b>D</b> 4PCS  side rail	<b>E</b> 2PCS  Slat	<b>F<sub>1</sub></b> 1PC  Left Leg	<b>F<sub>2</sub></b> 1PC  Right Leg
<b>G</b> 2PCS  Leg	<b>H</b> 1PC  Connector	<b>I</b> 6PCS  Connector	<b>J</b> 1PC  Connector
<b>K</b> 1PC  Cross bar	<b>L</b> 2PCS  Middle support bar	<b>M</b> 1PC  Support leg	<b>N</b> 2PCS  Support block

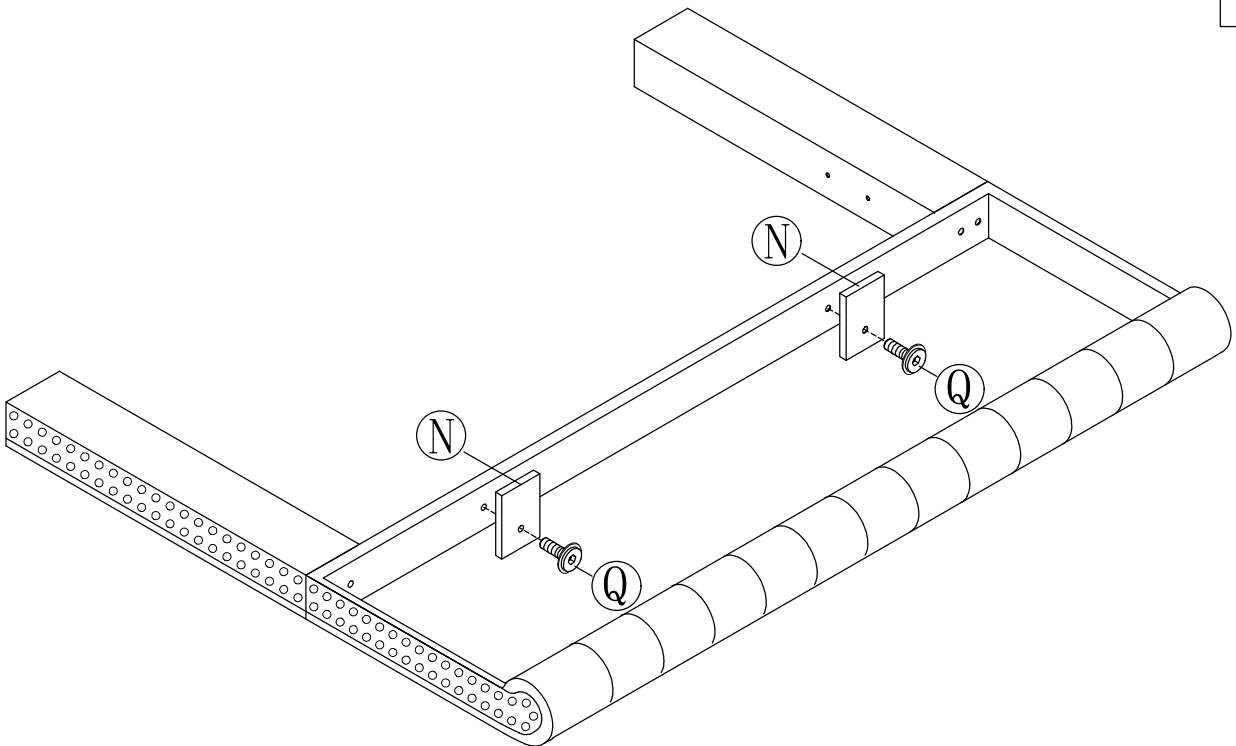
# Hardware list

<b>O</b>  M8*50 5PCS	<b>P</b>  M8*40 4PCS	<b>Q</b>  M8*35 2PCS	<b>R</b>  M8*25 38PCS	<b>S</b>  M8*16 2PCS	<b>T</b>  $\phi 22 * \phi 8.5$ 4PCS	<b>U</b>  M8 Spanner 1PC
---	--	--	---	---	---	--


**1**

Back side

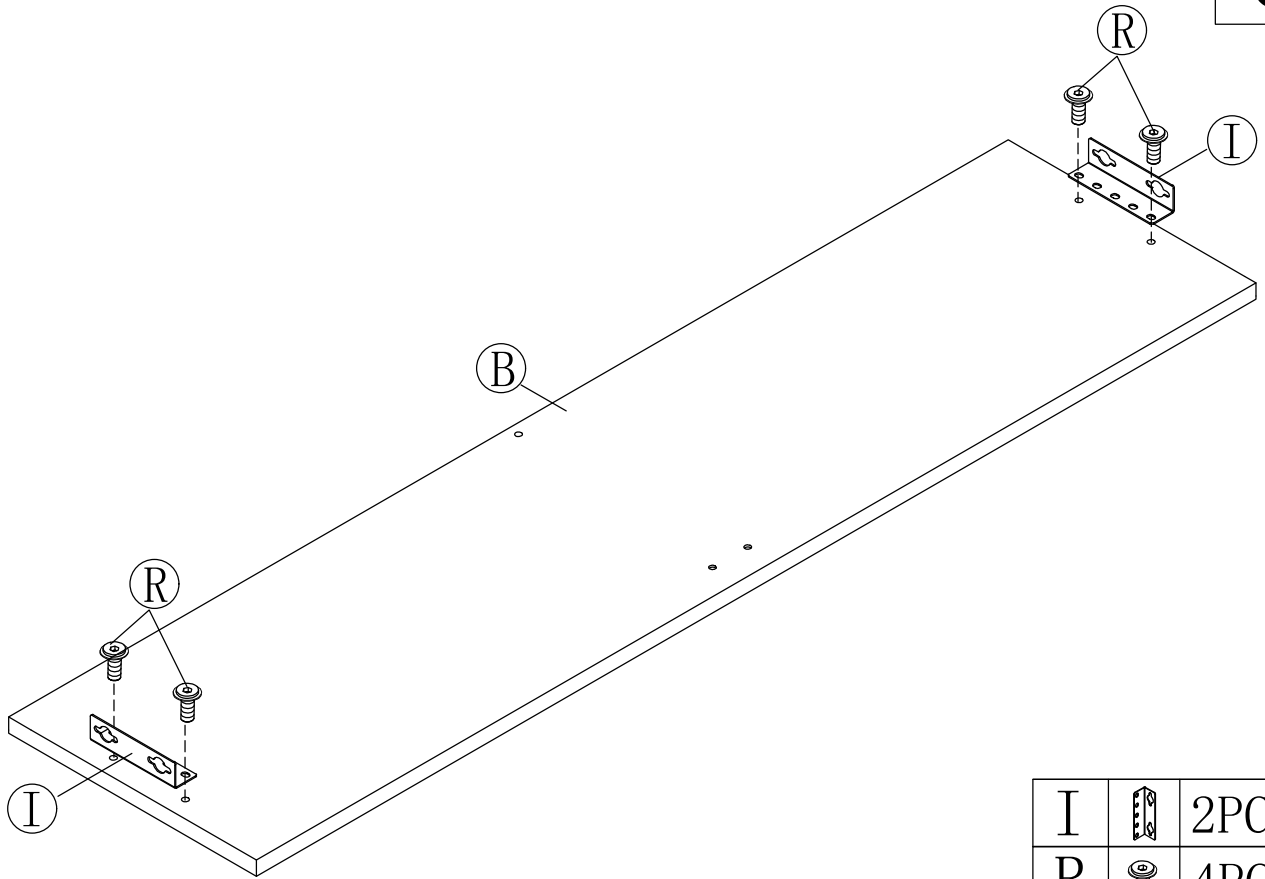
O		4PCS
T		4PCS

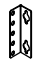

**2**

Back side

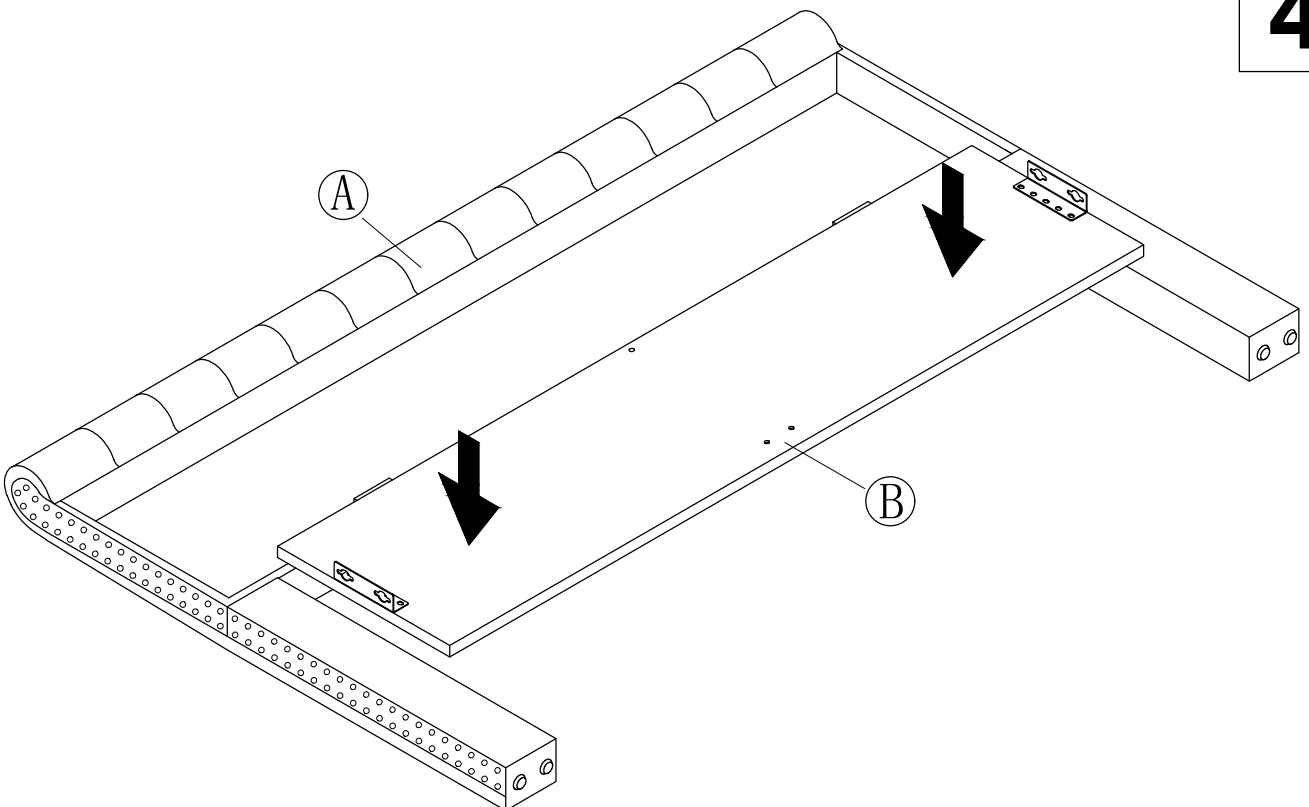
Q		2PCS
---	---	------

3

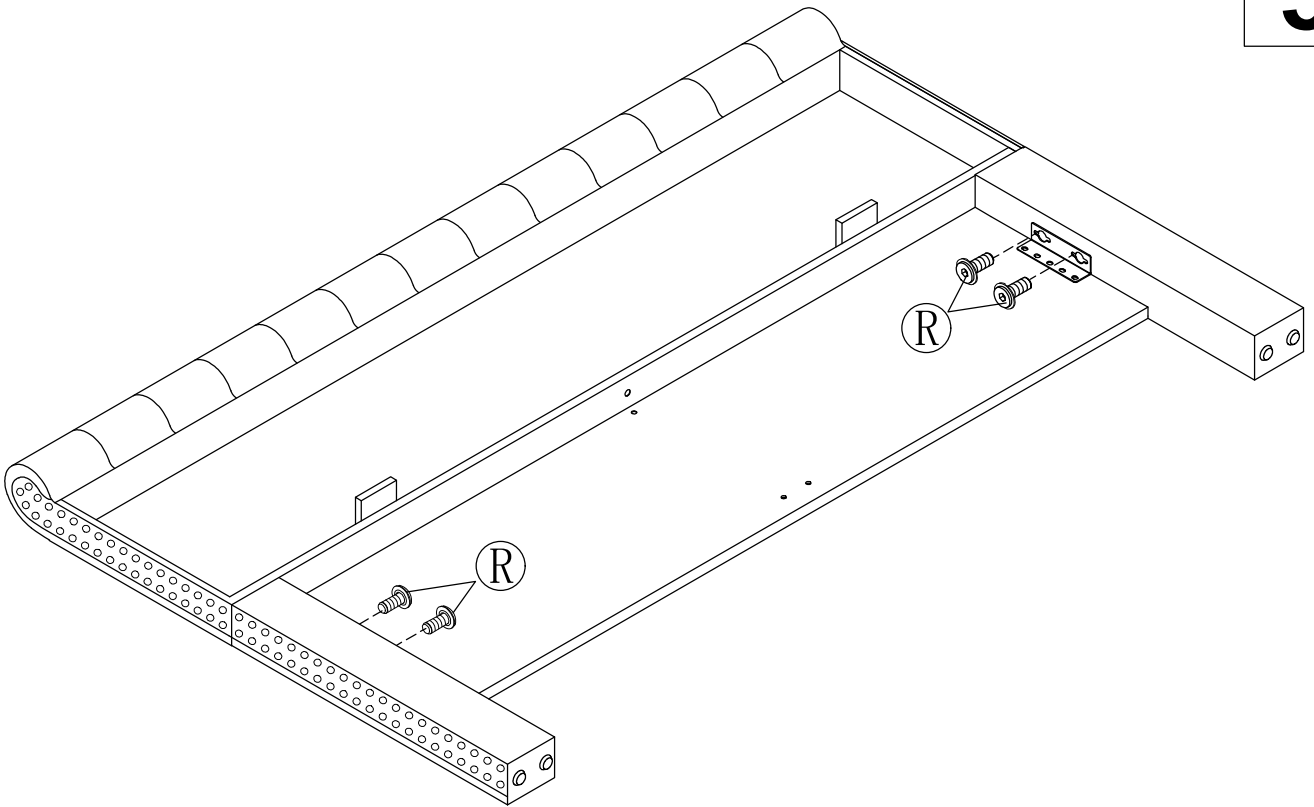



I		2PCS
R		4PCS

4

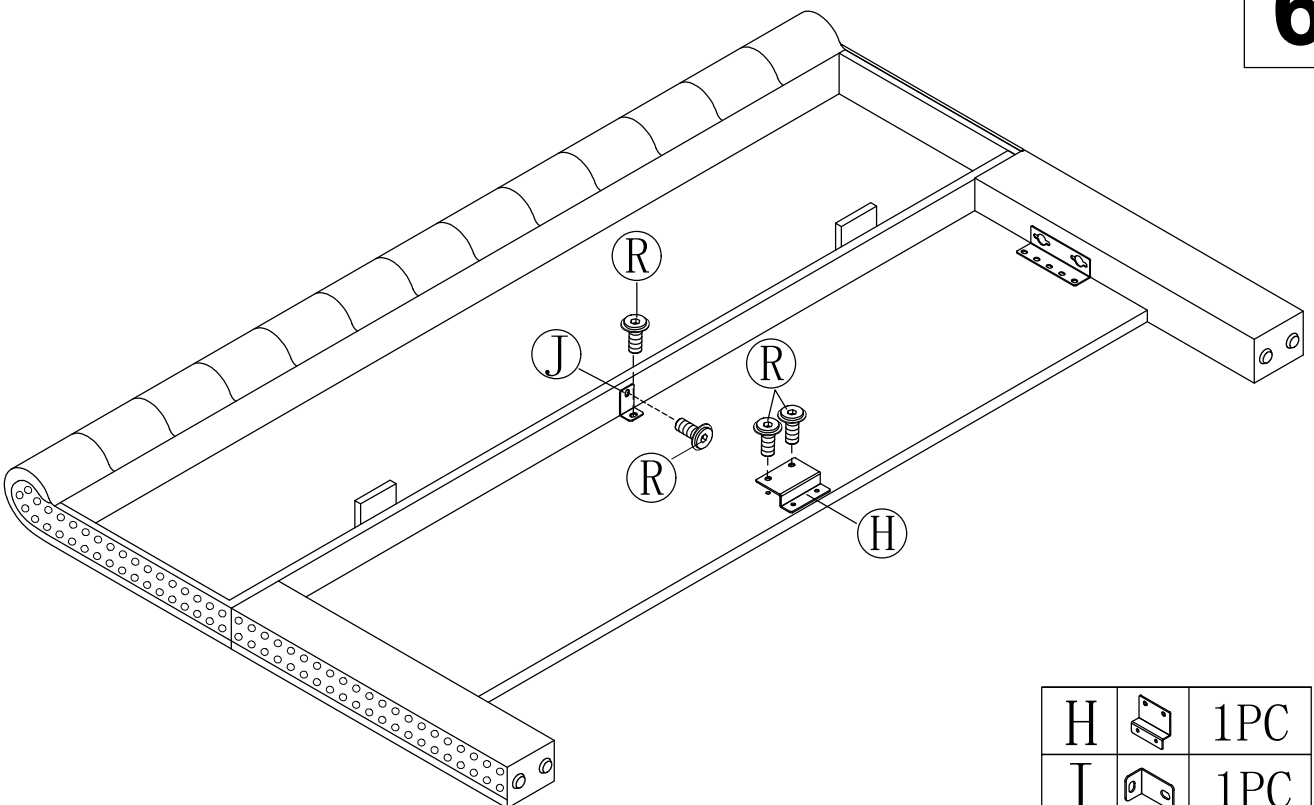





5



R		4PCS
---	---	------

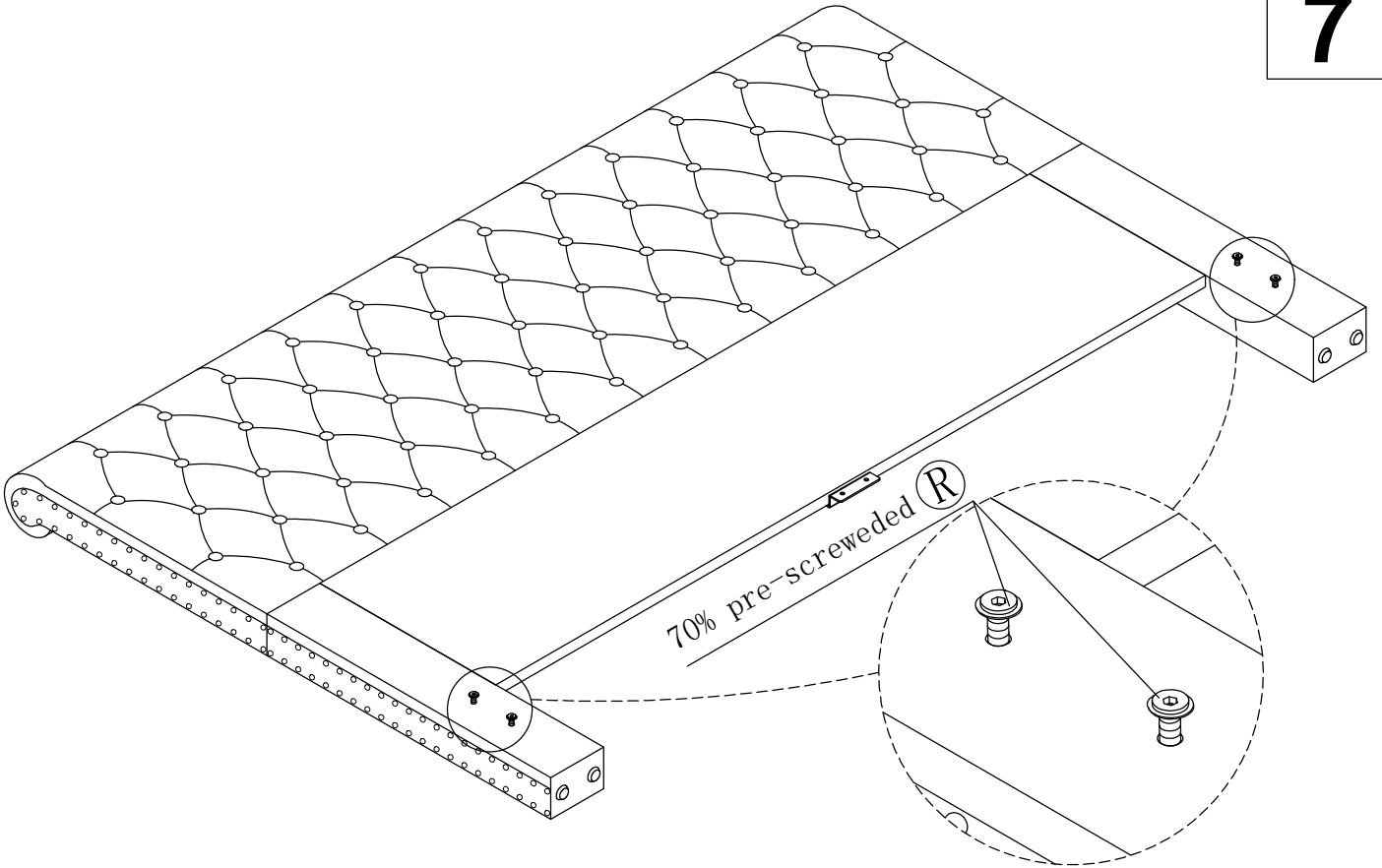
6




H		1PC
J		1PC
R		4PCS

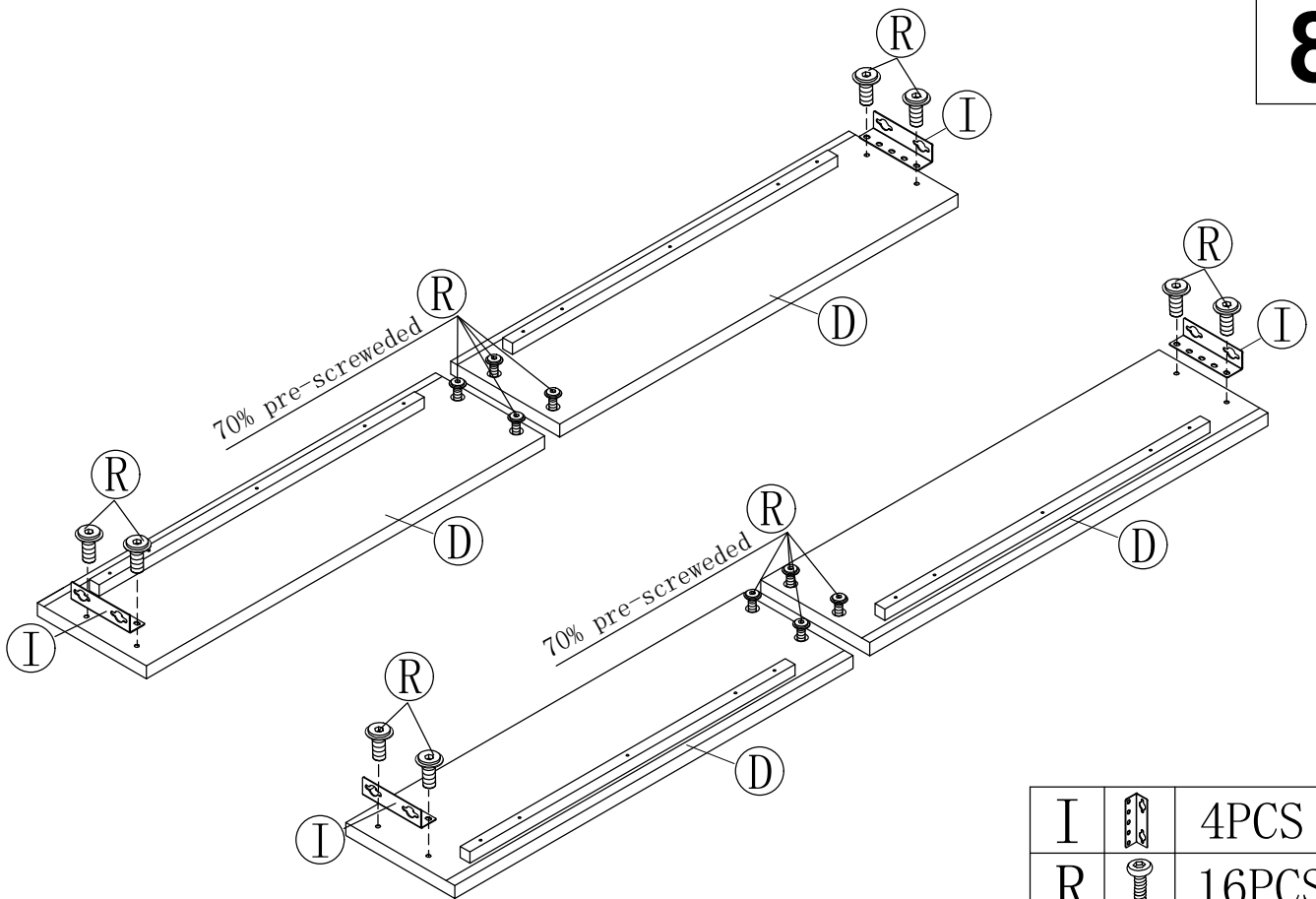
Flip over after tightening the screws



7



R		4PCS
---	---	------

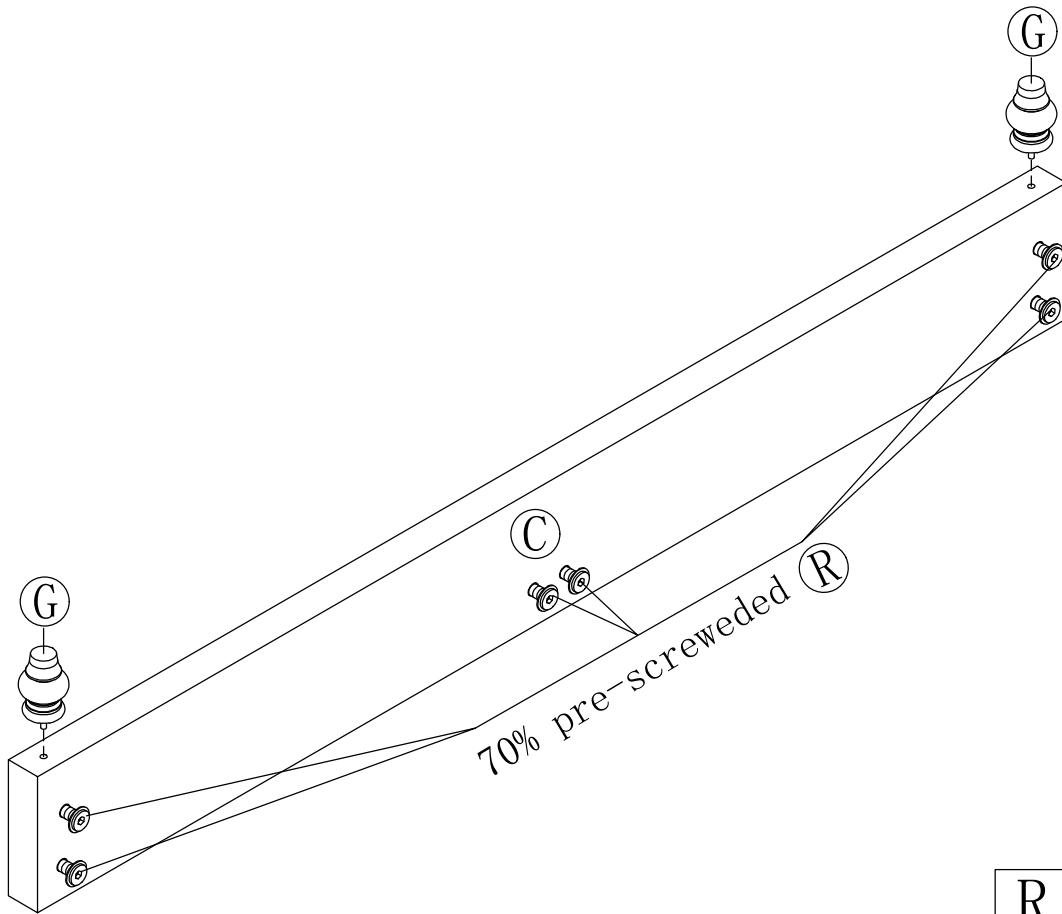
8



I		4PCS
R		16PCS

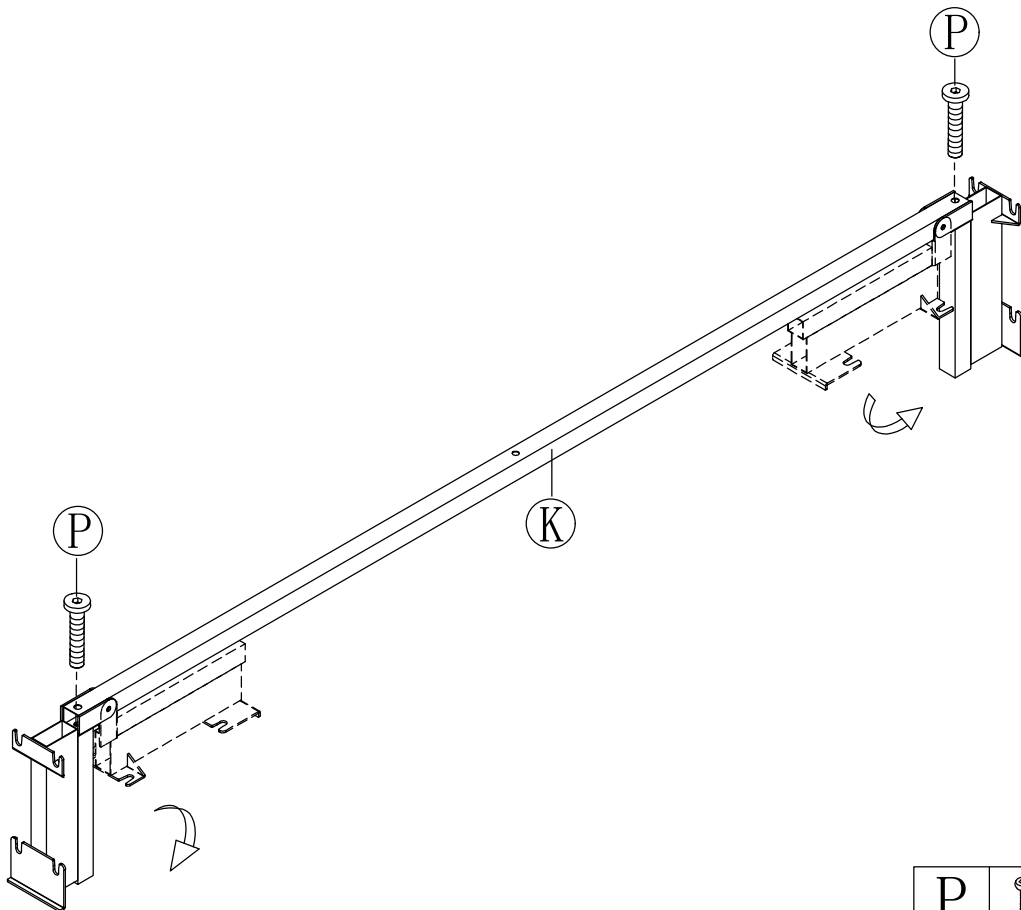


9



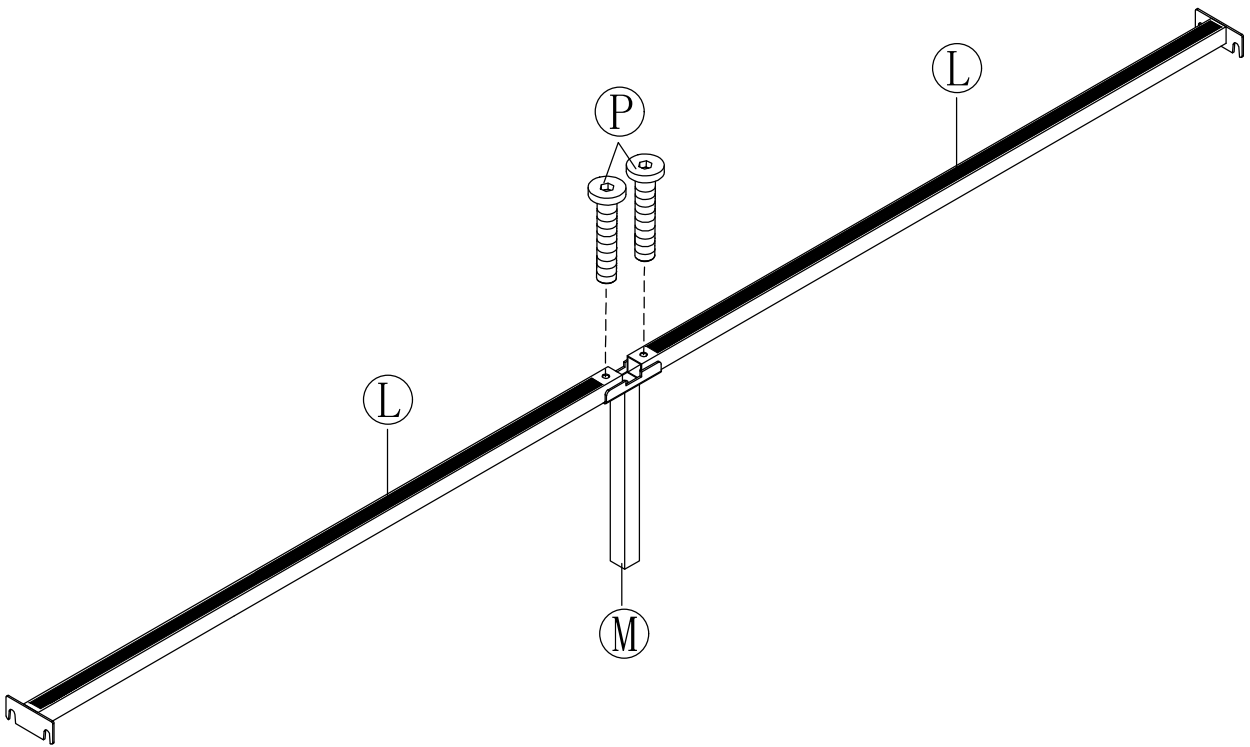
R 6PCS


10



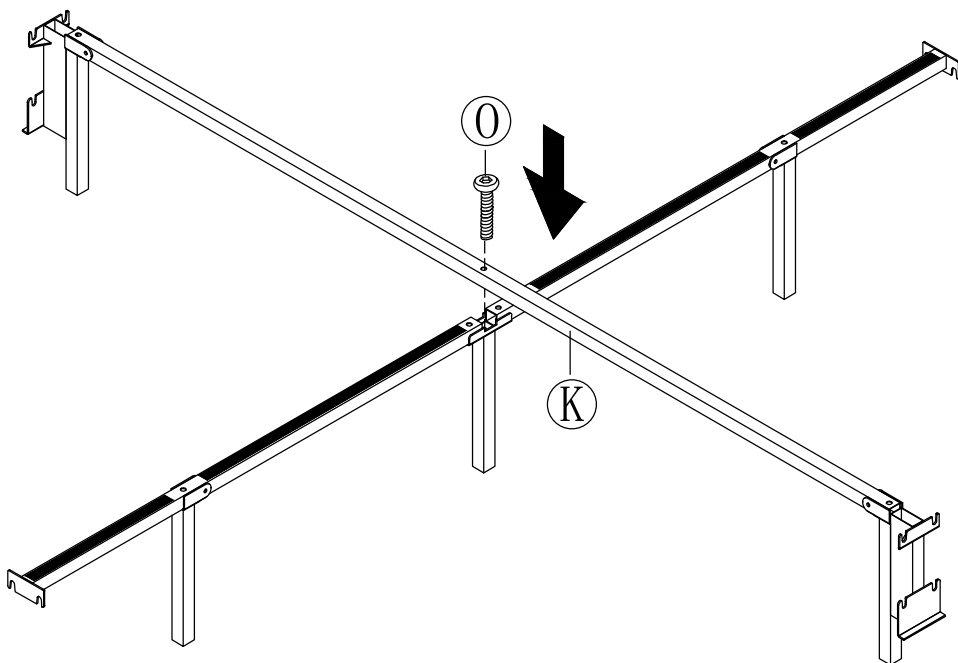
P 2PCS


11



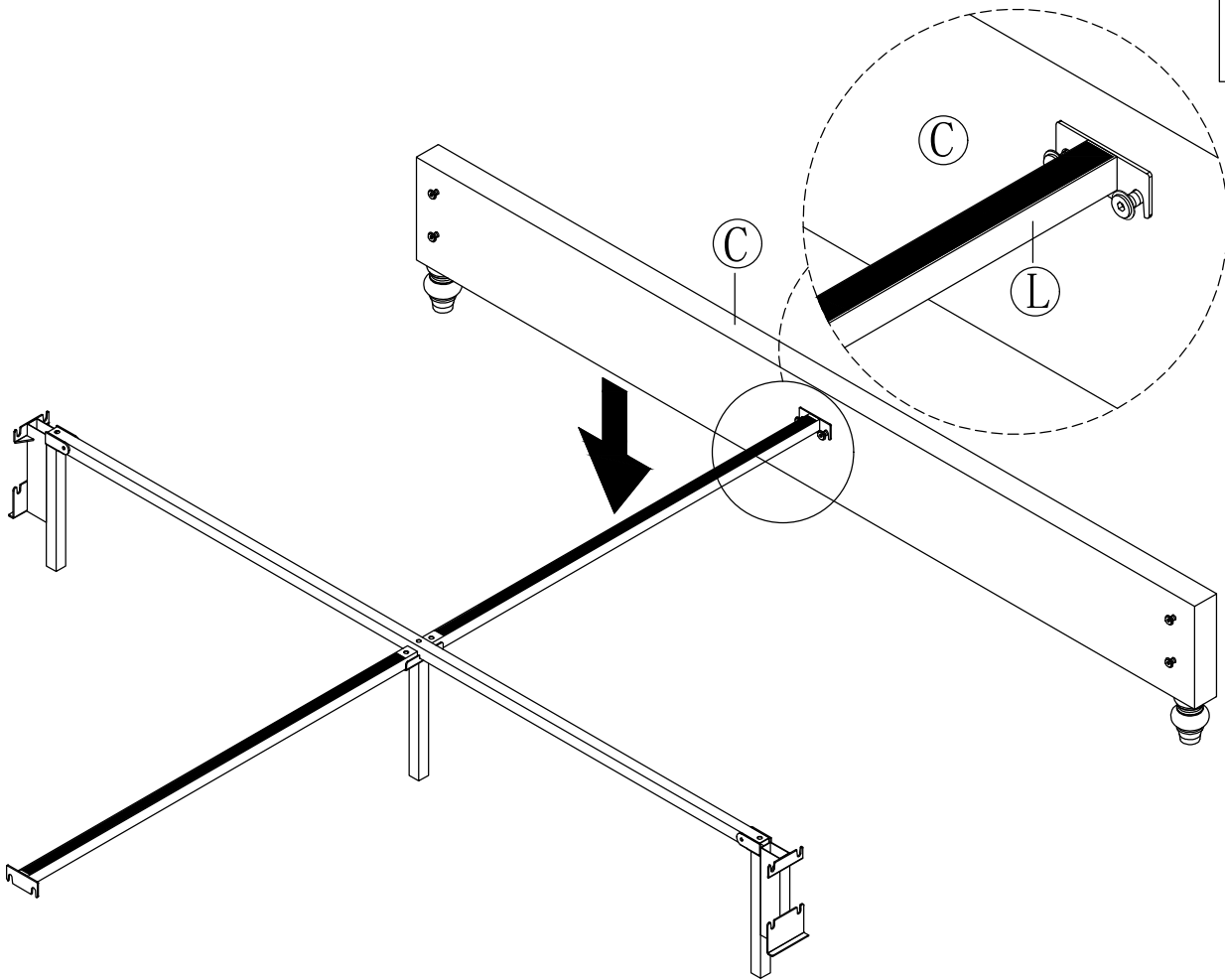
P		2PCS
---	---	------

12

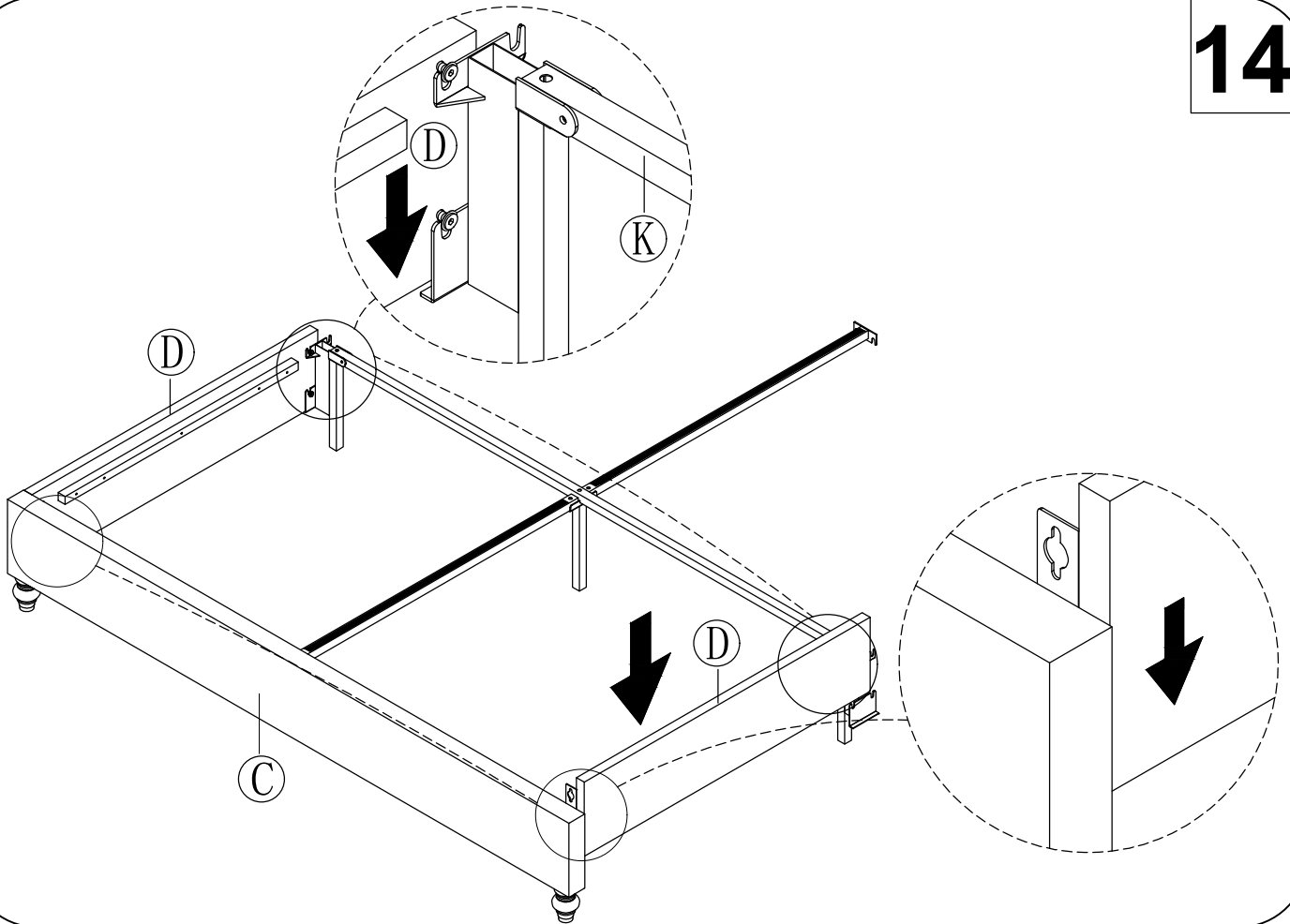


O		1PC
---	---	-----

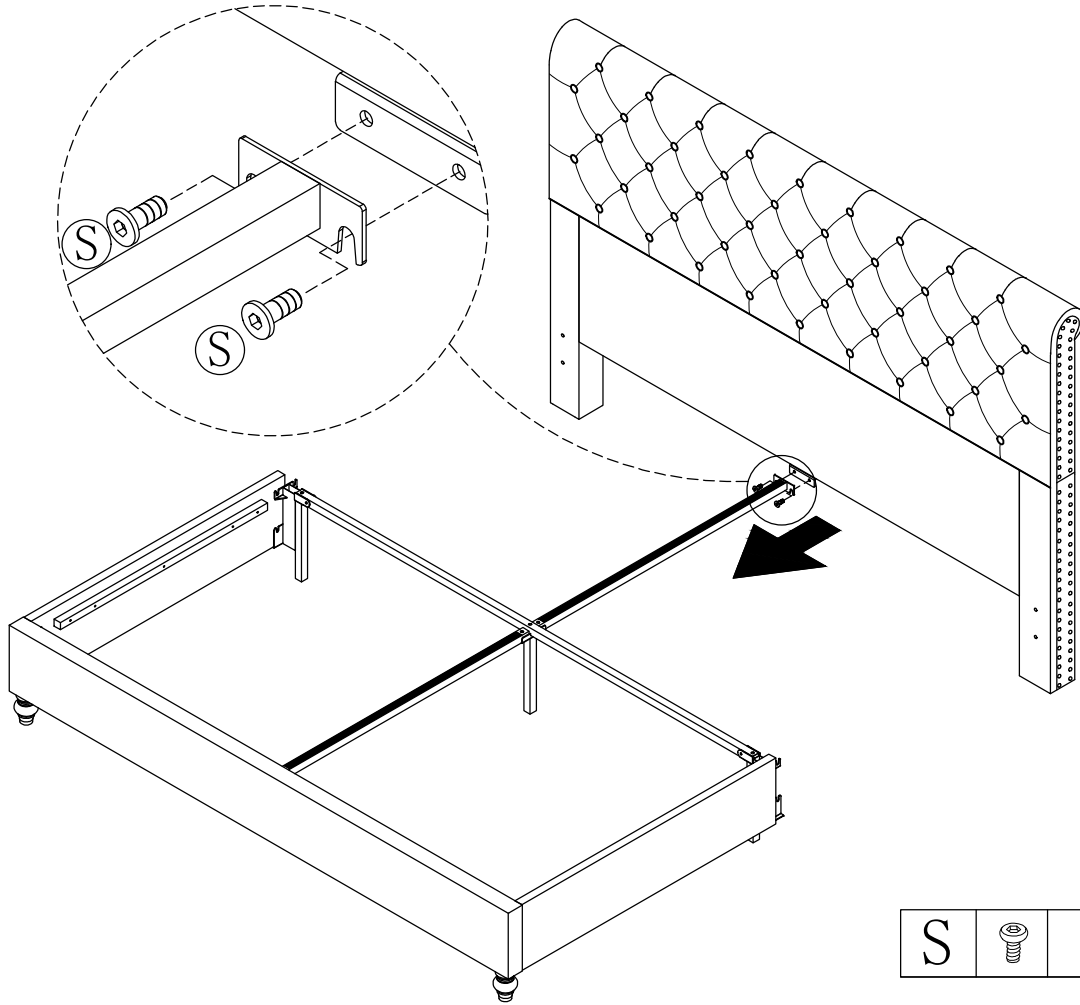
13




14

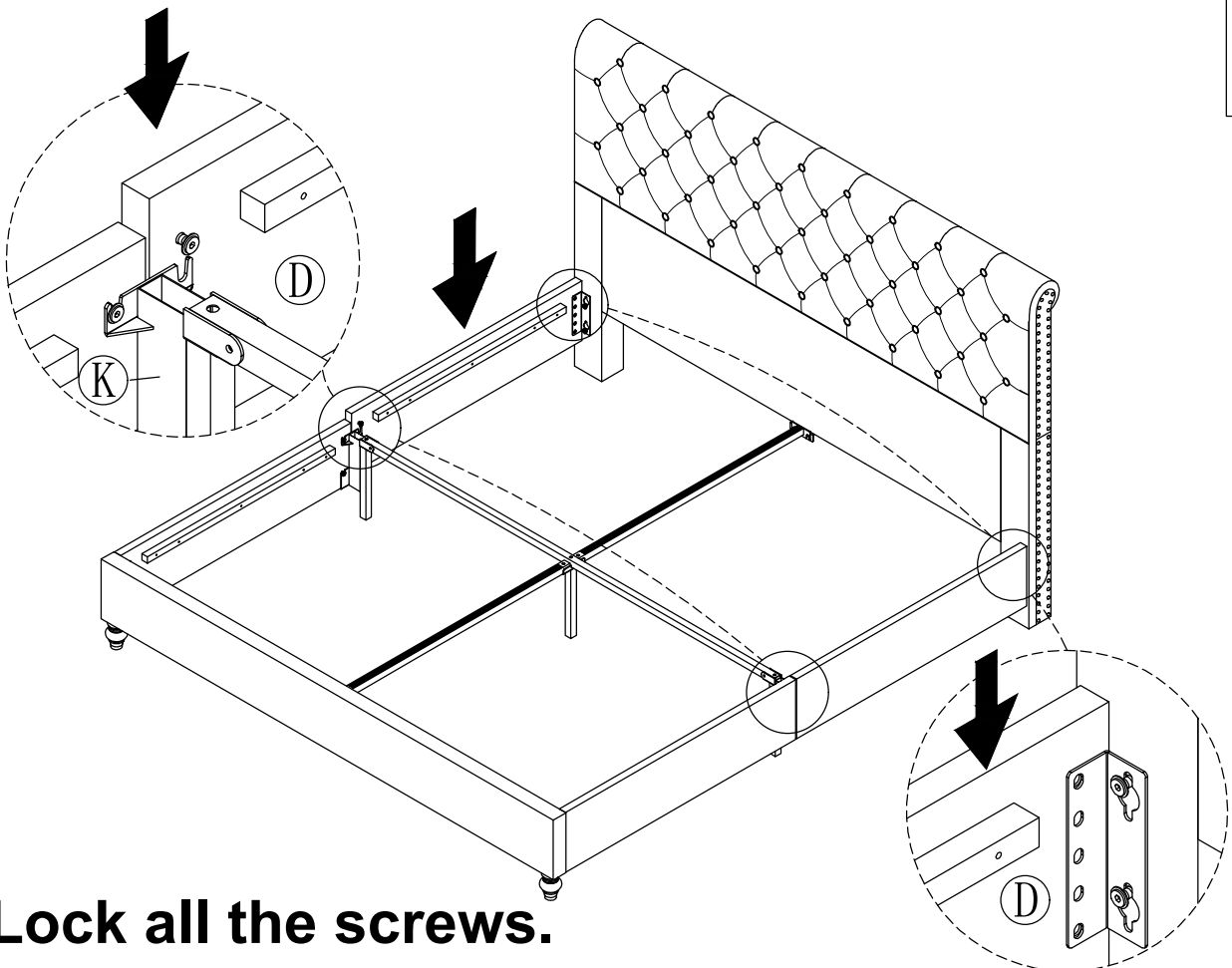


15



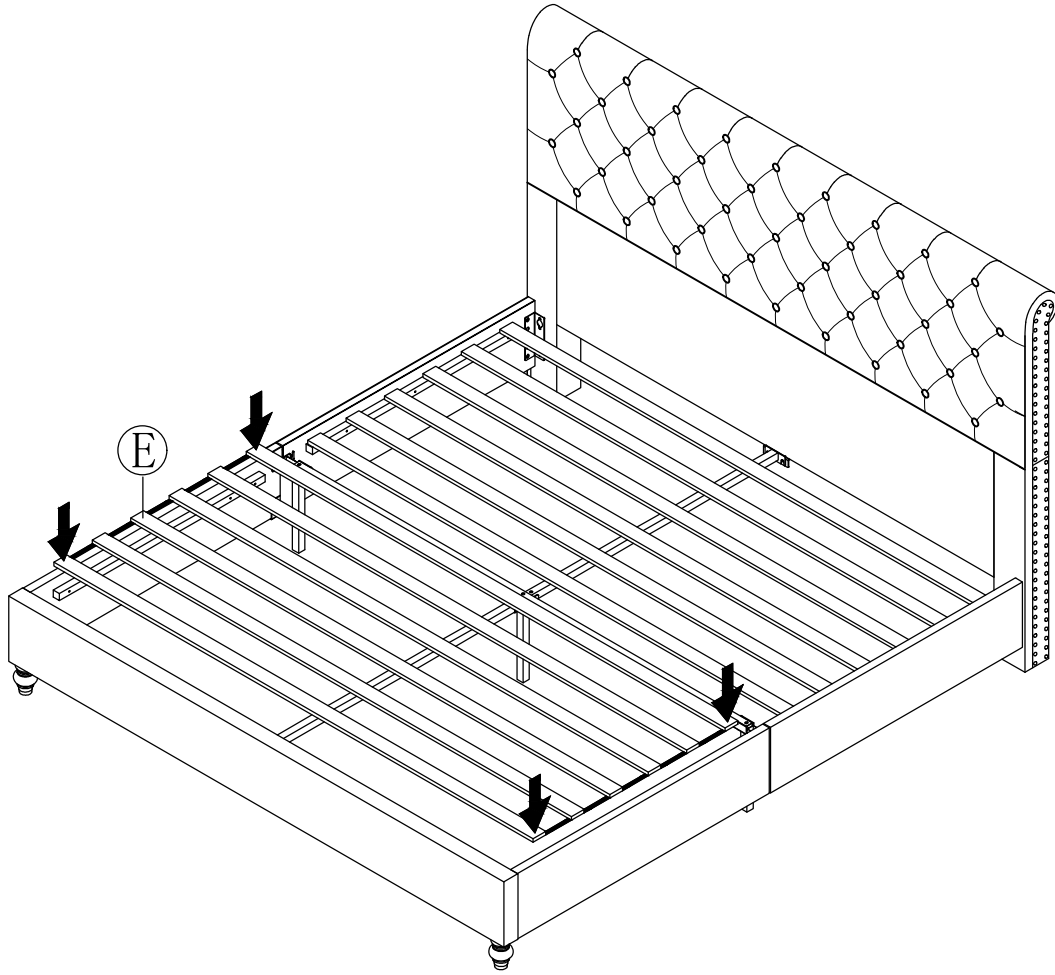
S		2PCS
---	---	------

16

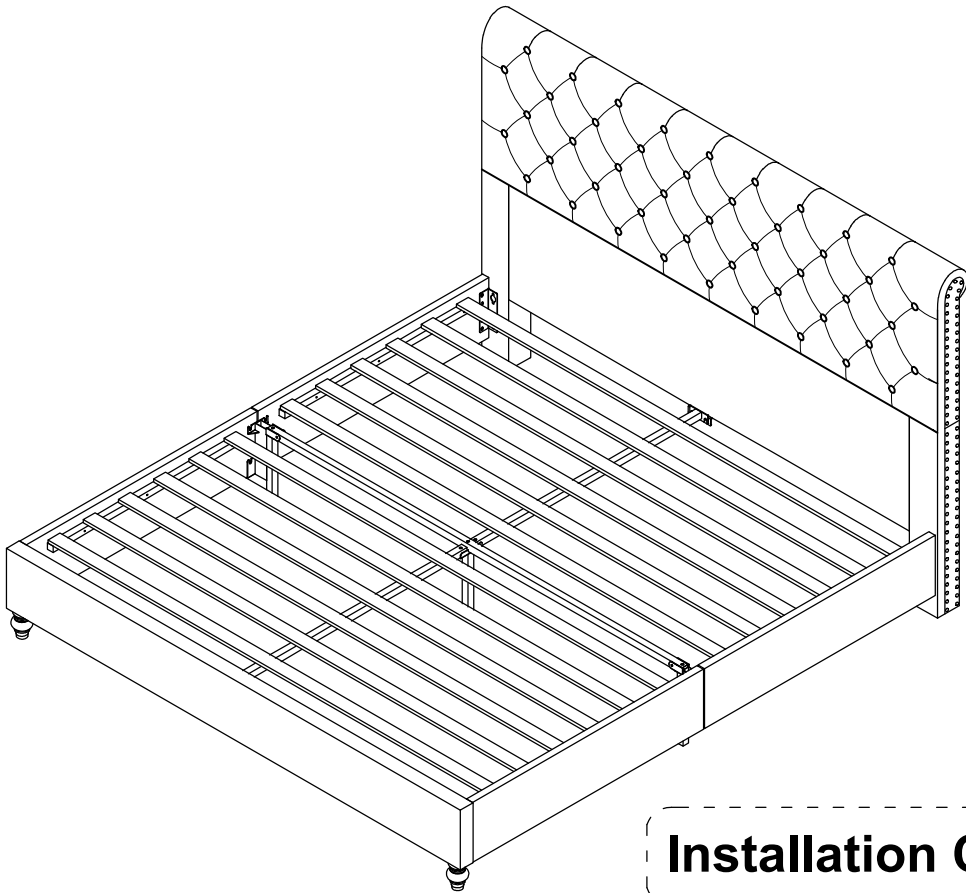


**Lock all the screws.**

17



18



**Installation Complete**