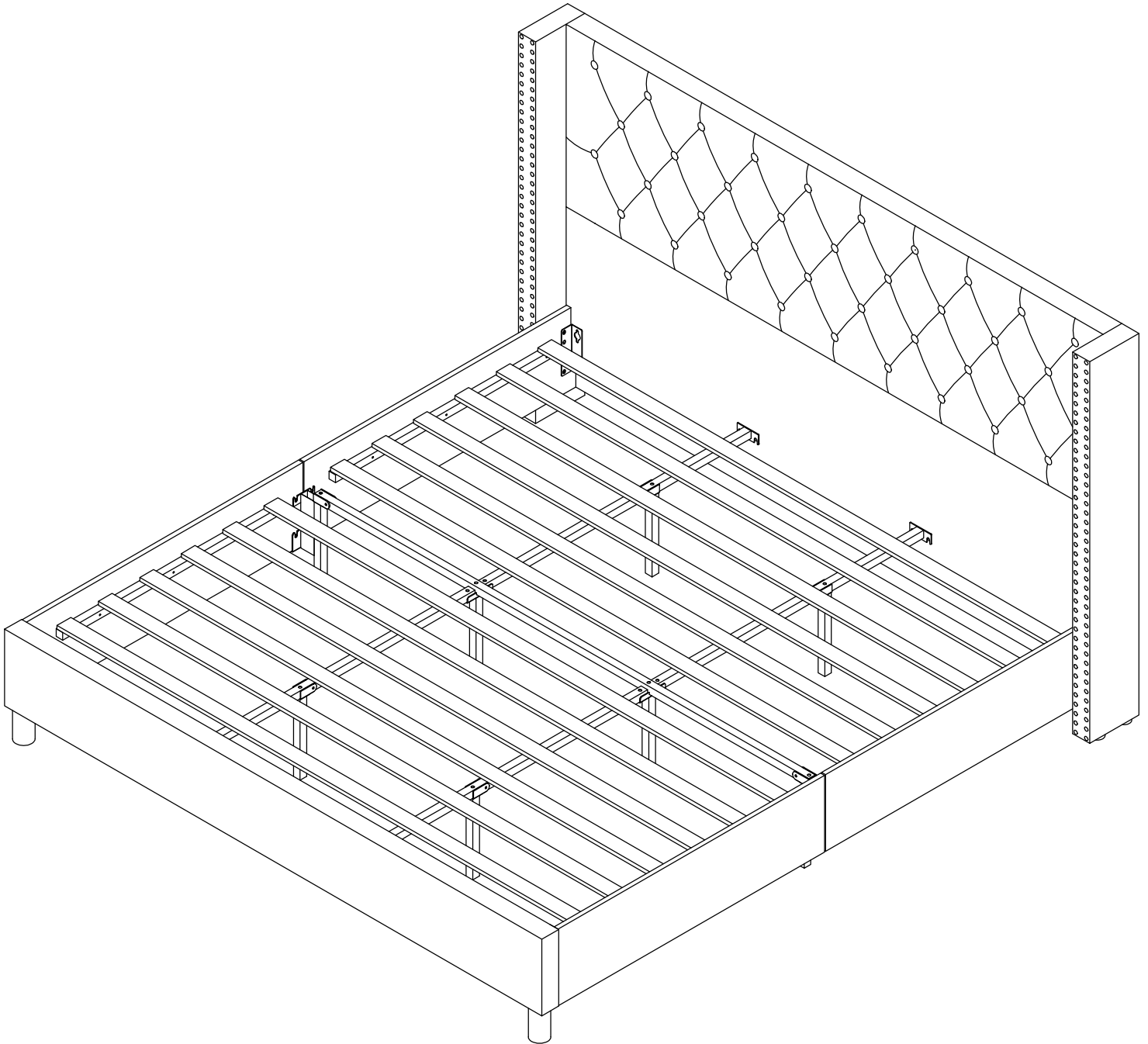


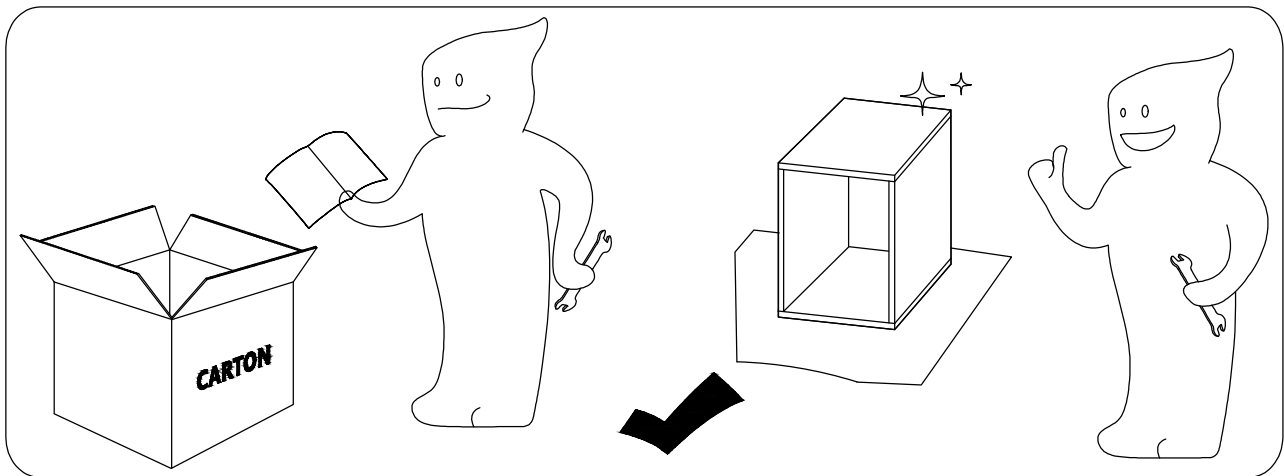
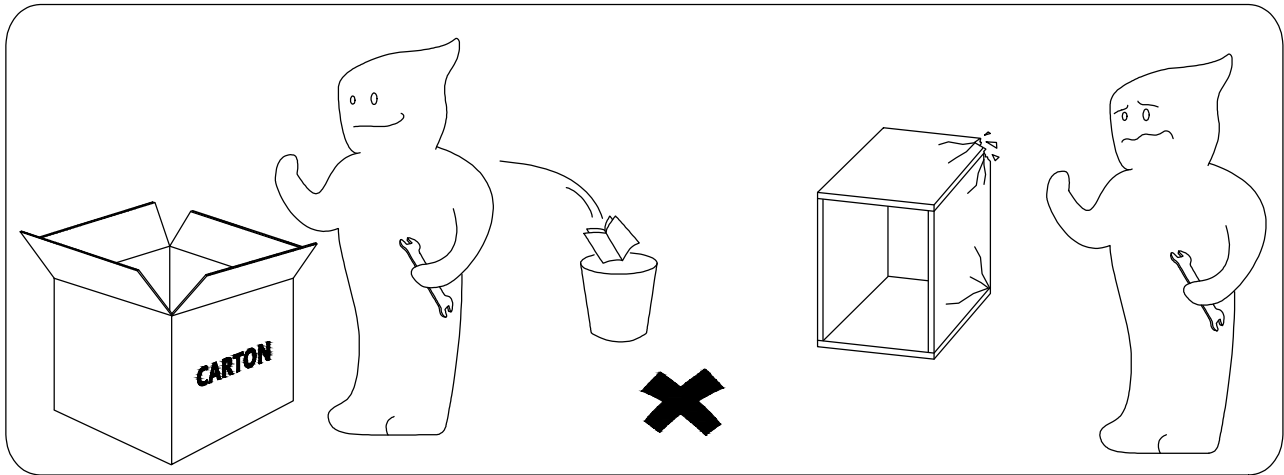
Upholstered Platform Bed with Tufted Wingback Headboard.



Dear Customers,
Thank you for purchasing our product. Please read this instruction manual carefully after receiving this product. It will help you assemble this product quickly, safely and correctly. You can keep this manual for future reference.

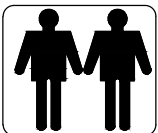
! IMPORTANT

Please follow the instruction manuals and use a pad to protect the product during your assembly.

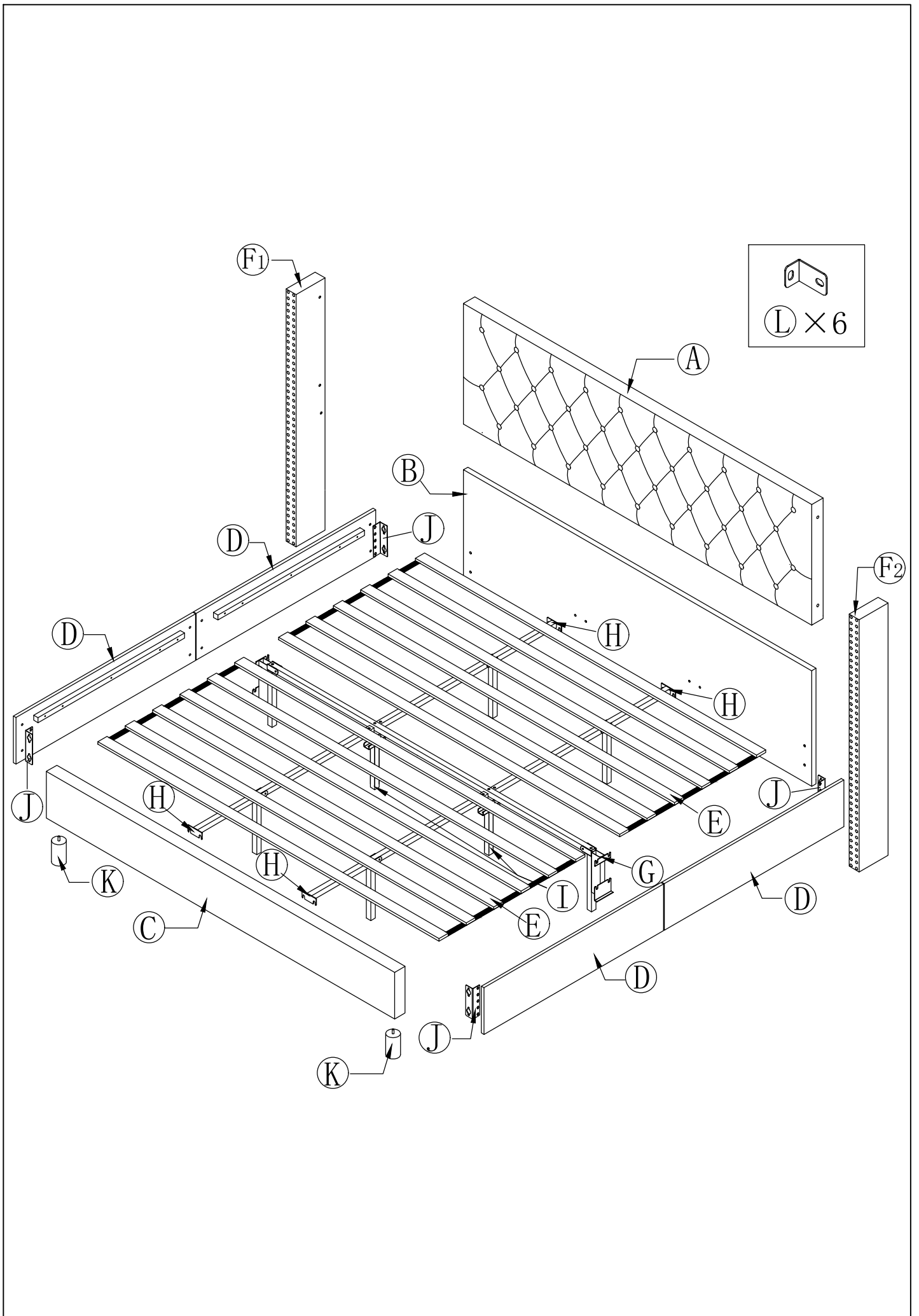


Note:

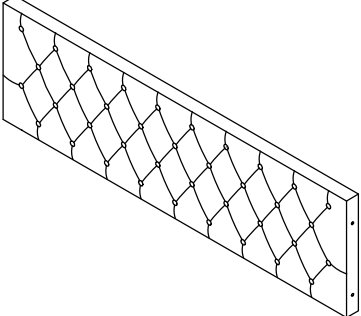
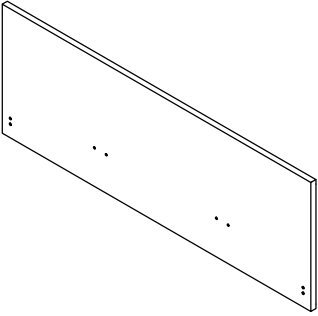
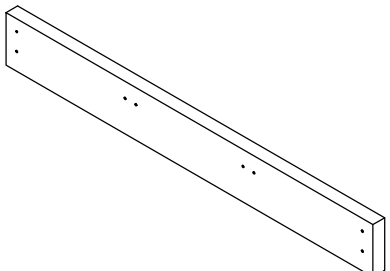
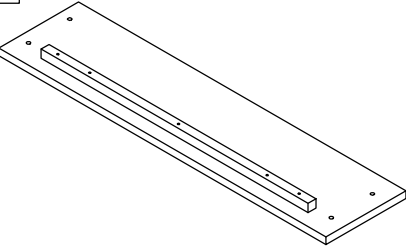
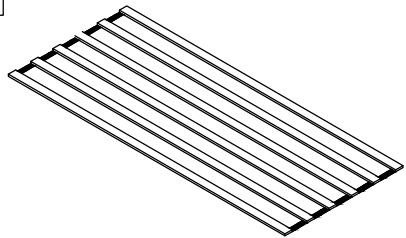
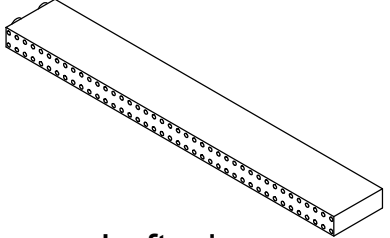
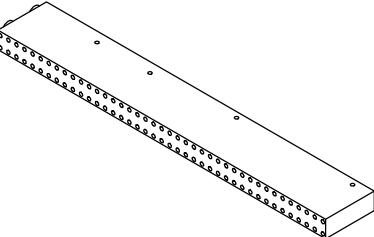
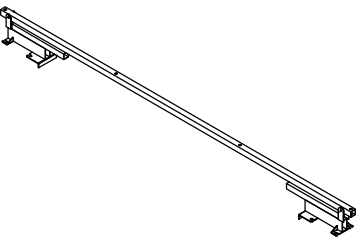
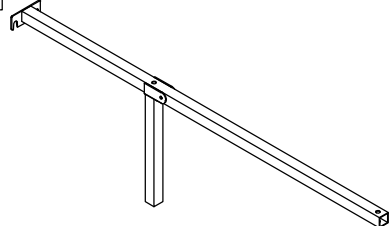
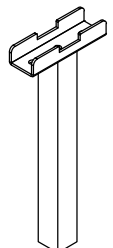
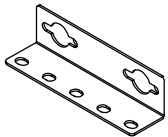
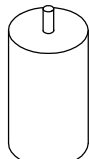
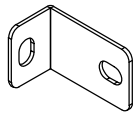
1. Should be assembled on flat ground to keep balance.
2. Before completing the installation, do not tighten the screws.



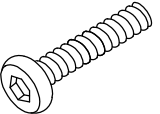
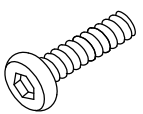
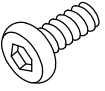
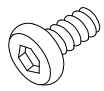
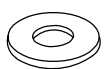

For easier and better assembly, 2 or more adults are required.

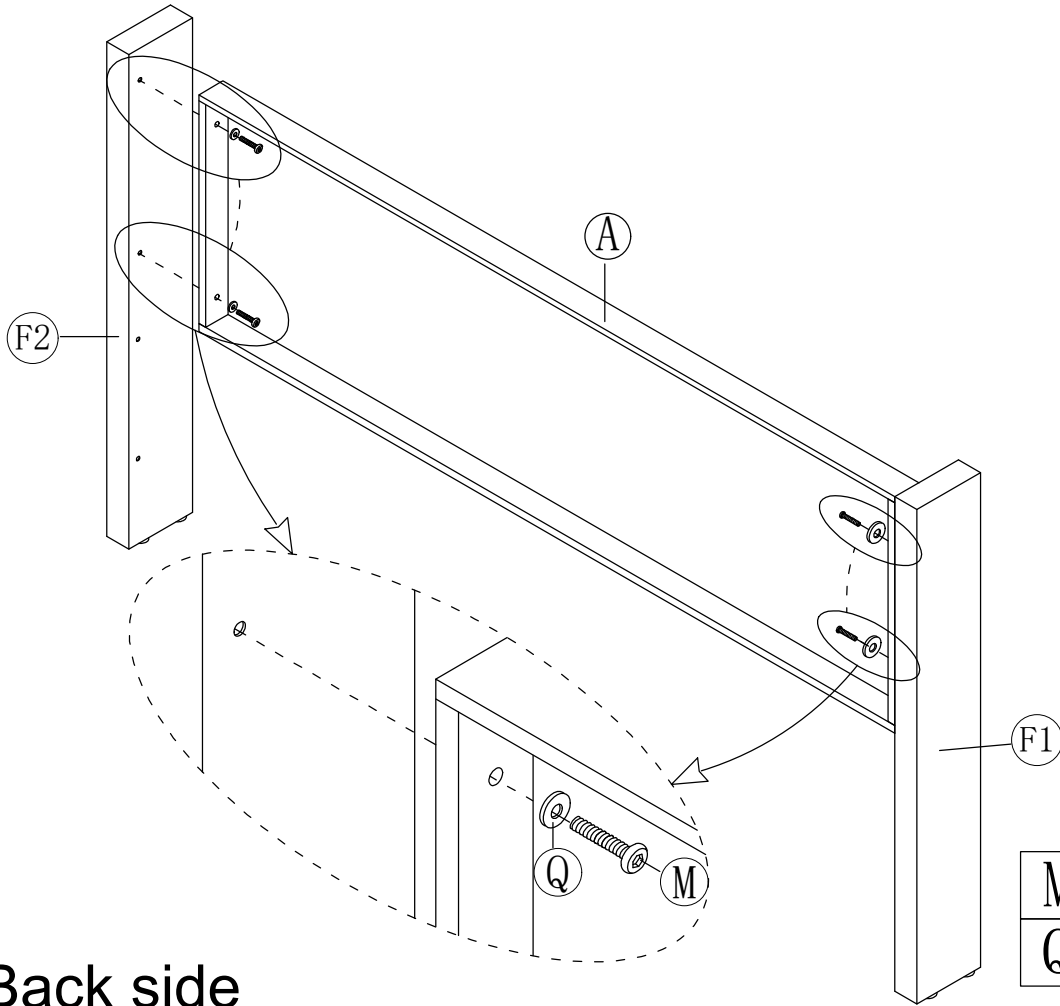


Part list



<p>A</p>  <p>Top headboard 1PC</p>	<p>B</p>  <p>Bottom headboard 1PC</p>	<p>C</p>  <p>Footboard 1PC</p>	
<p>D</p>  <p>Side rail 4PCS</p>	<p>E</p>  <p>Slat 2PCS</p>	<p>F1</p>  <p>Left wing 1PC</p>	
<p>F2</p>  <p>Right wing 1PC</p>	<p>G</p>  <p>Cross bar 1PC</p>	<p>H</p>  <p>Middle support bar 4PCS</p>	
<p>I</p>  <p>Support leg 2PCS</p>	<p>J</p>  <p>Connector 4PCS</p>	<p>K</p>  <p>Leg 2PCS</p>	<p>L</p>  <p>Connector 6PCS</p>

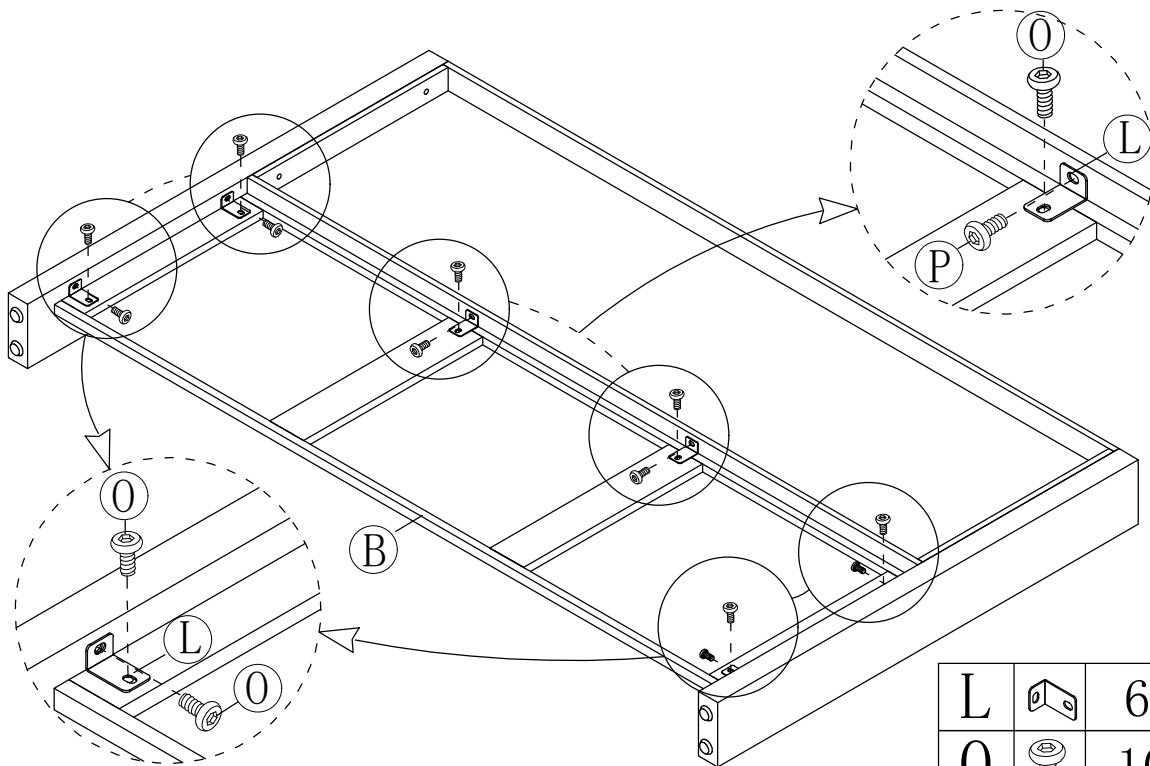
Hardware list

<p>M</p>  <p>M8*50 6PCS</p>	<p>N</p>  <p>M8*40 10PCS</p>	<p>O</p>  <p>M8*25 26PCS</p>	<p>P</p>  <p>M8*18 18PCS</p>	<p>Q</p>  <p>∅22*∅8.5 4PCS</p>	<p>R</p>  <p>M8 Spanner 1PC</p>
---	--	--	--	--	---




1

Back side

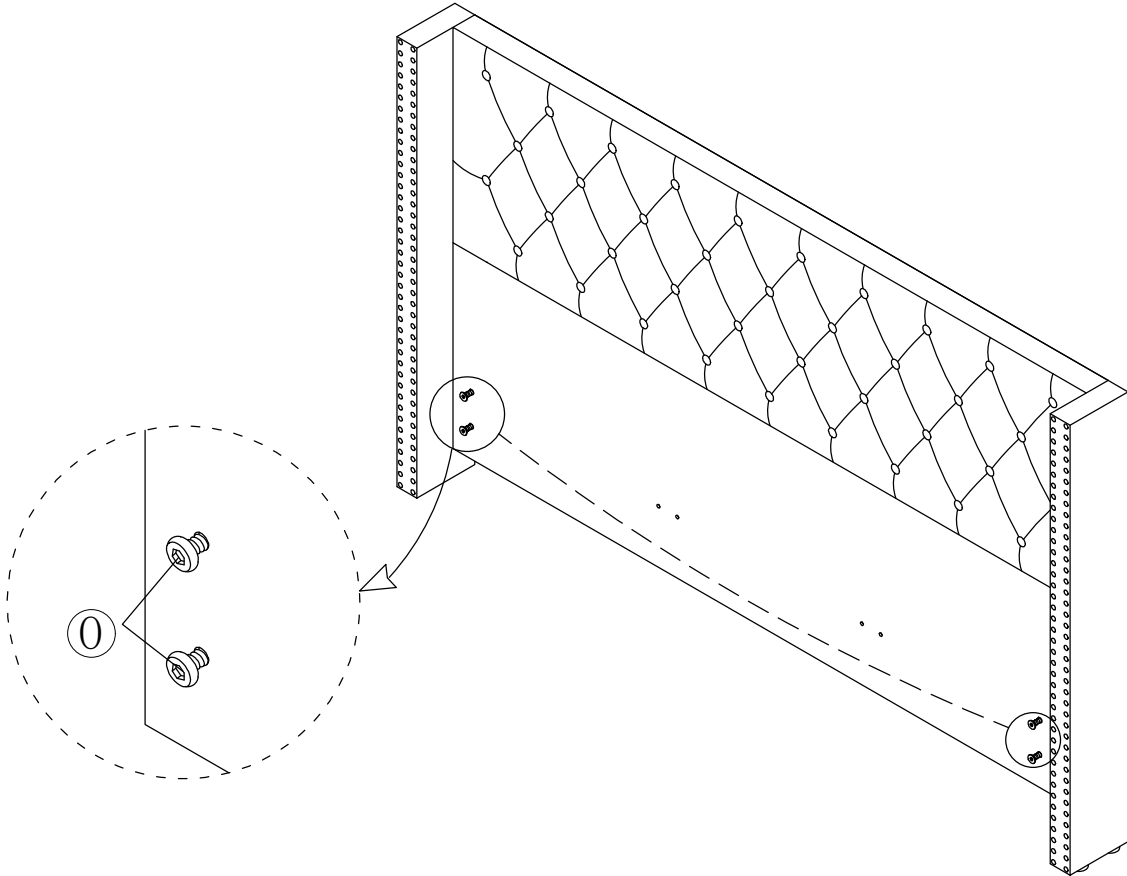
M		4PCS
Q		4PCS

2

Back side

L		6PCS
O		10PCS
P		2PCS

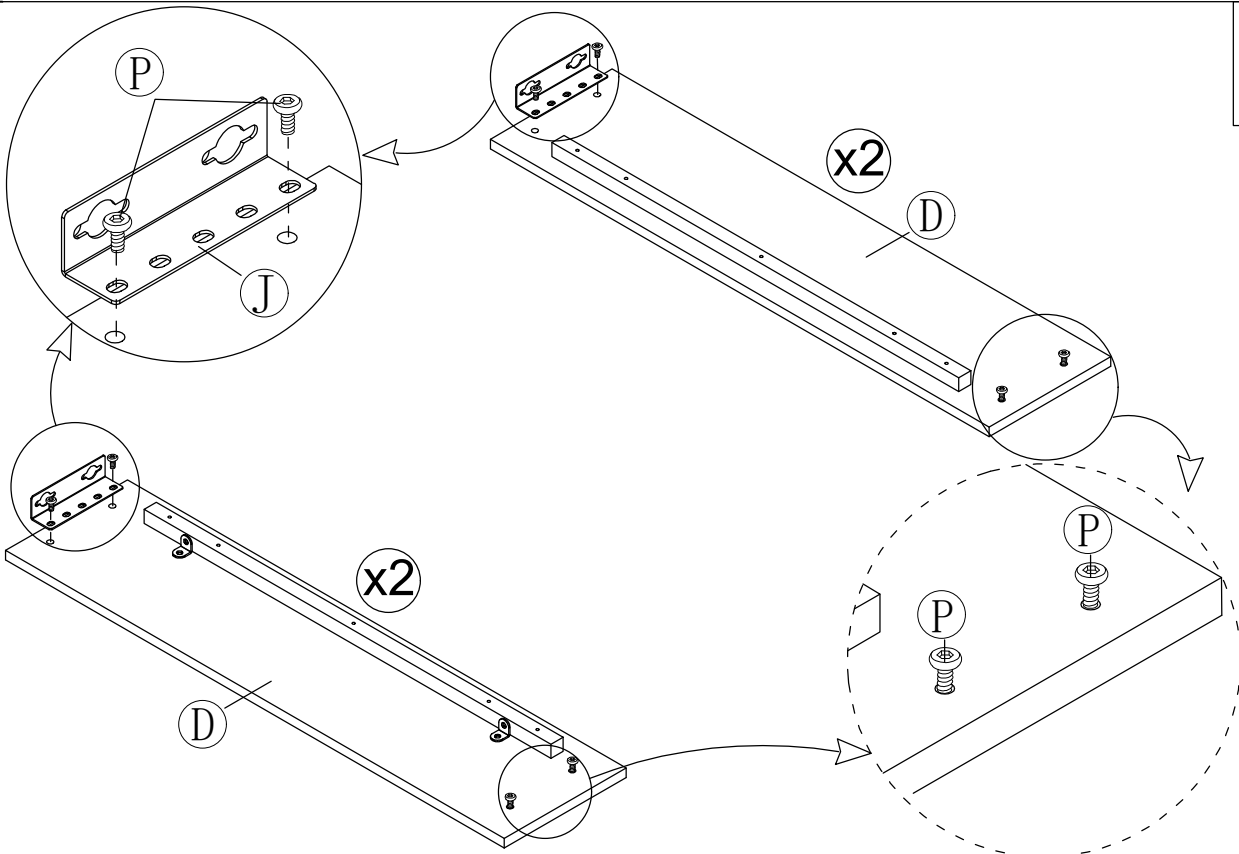
3




Pre-locking screw "O"

O		4PCS
---	---	------

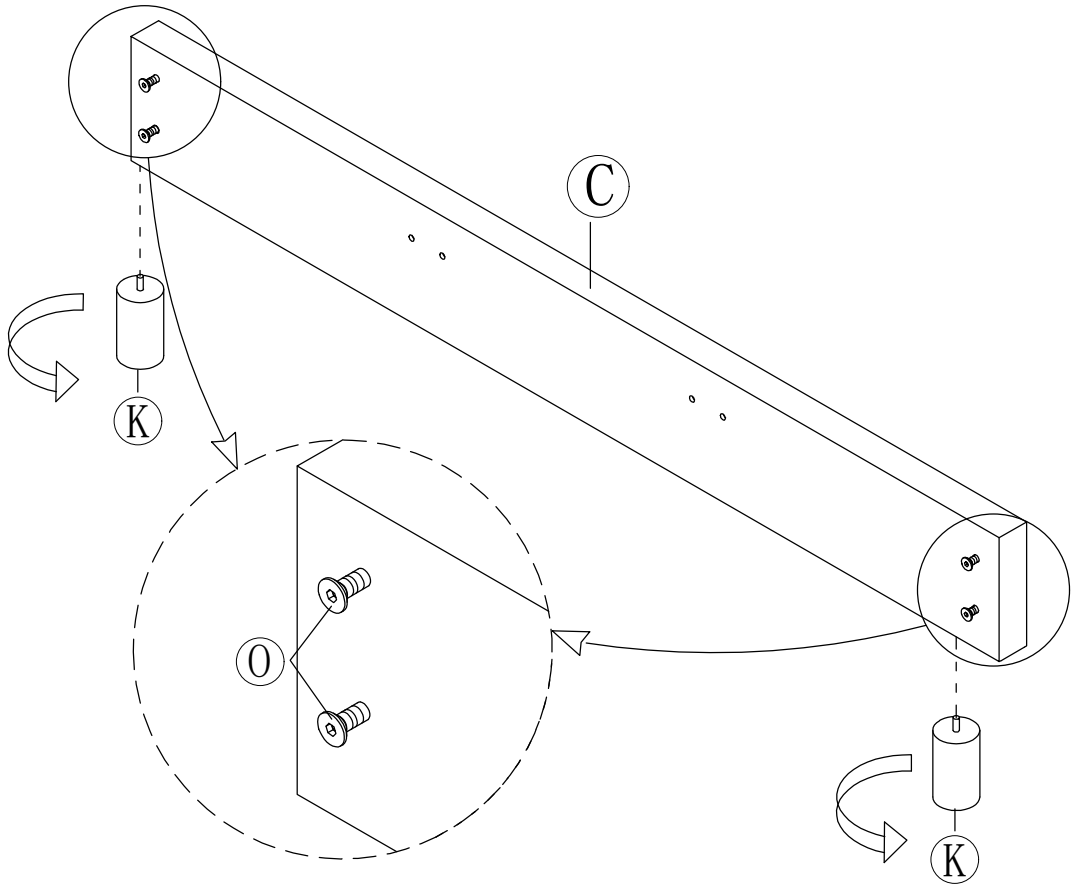
4




Pre-locking screw "P"

P		16PCS
---	---	-------

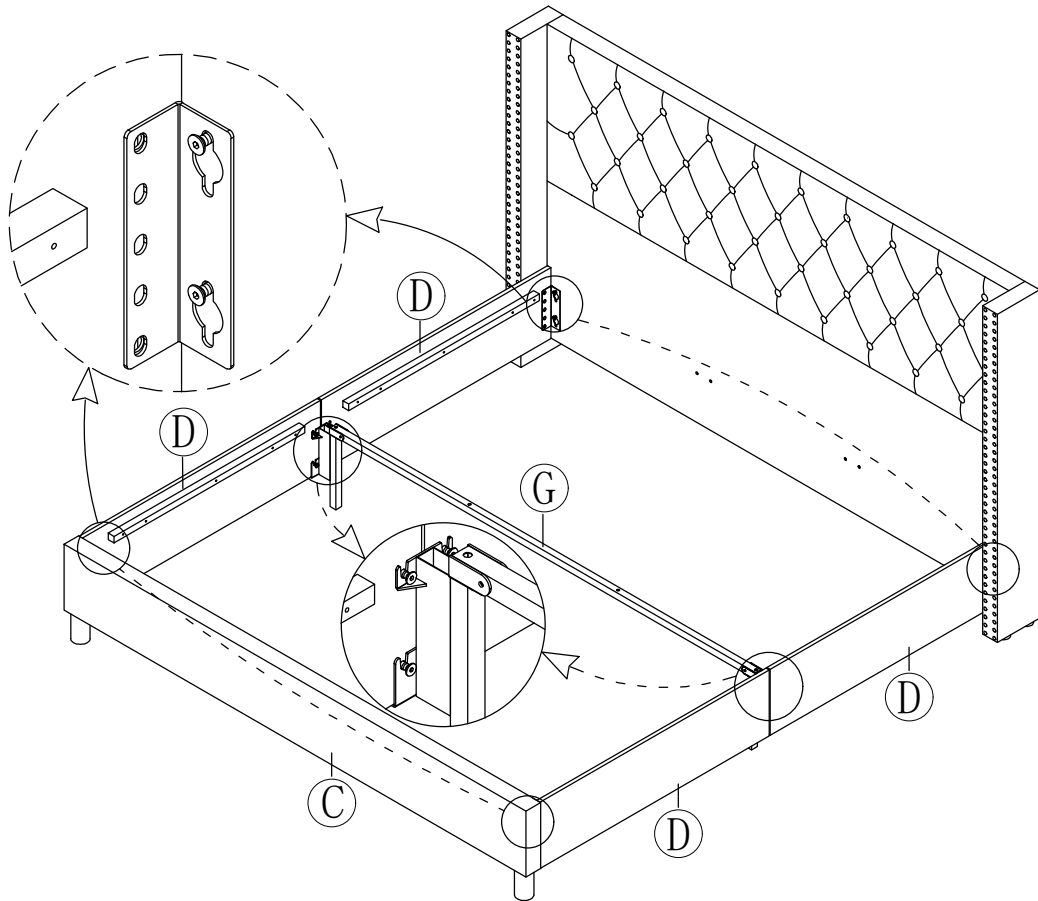
5



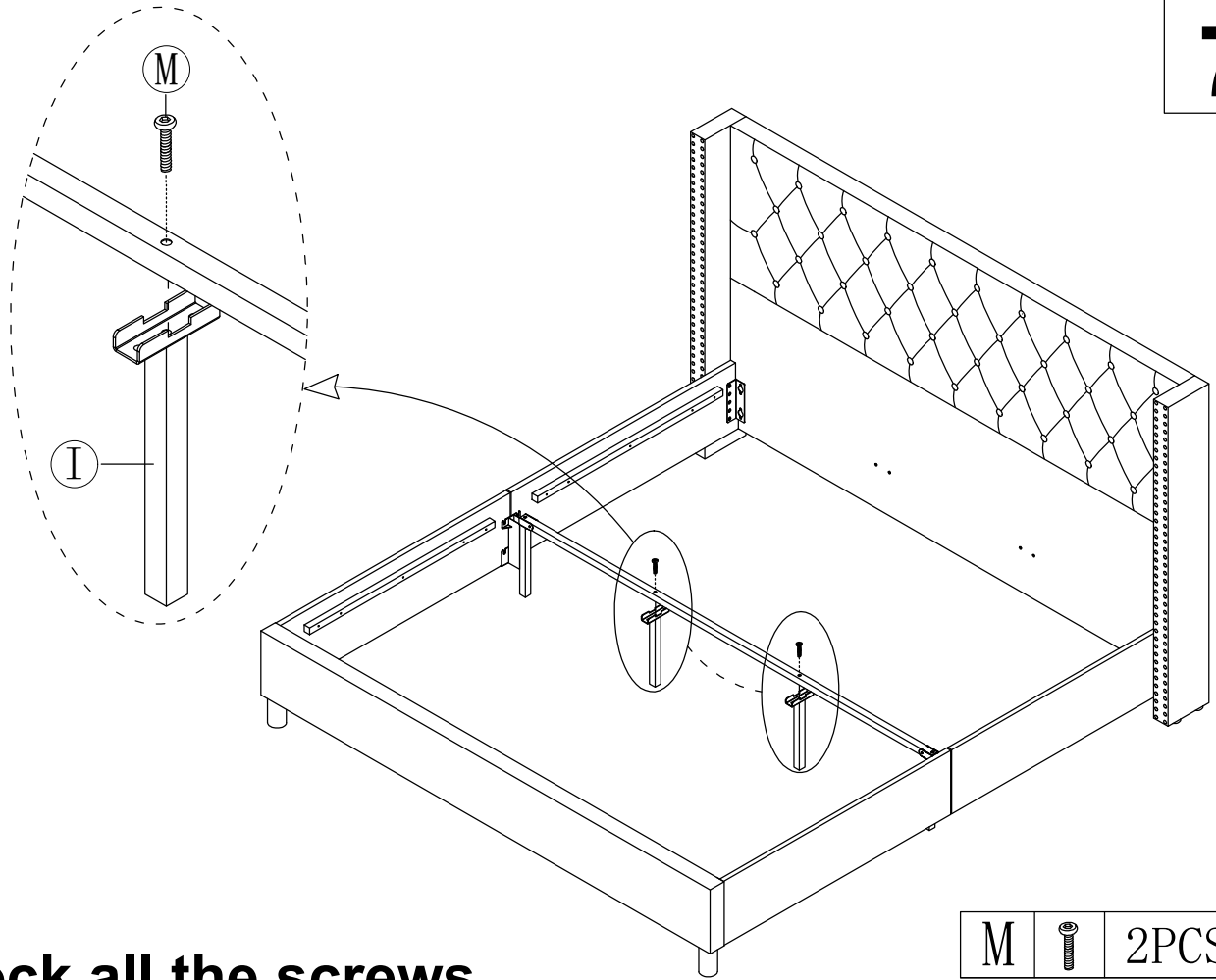
Pre-locking screw "O"


0  4PCS

6



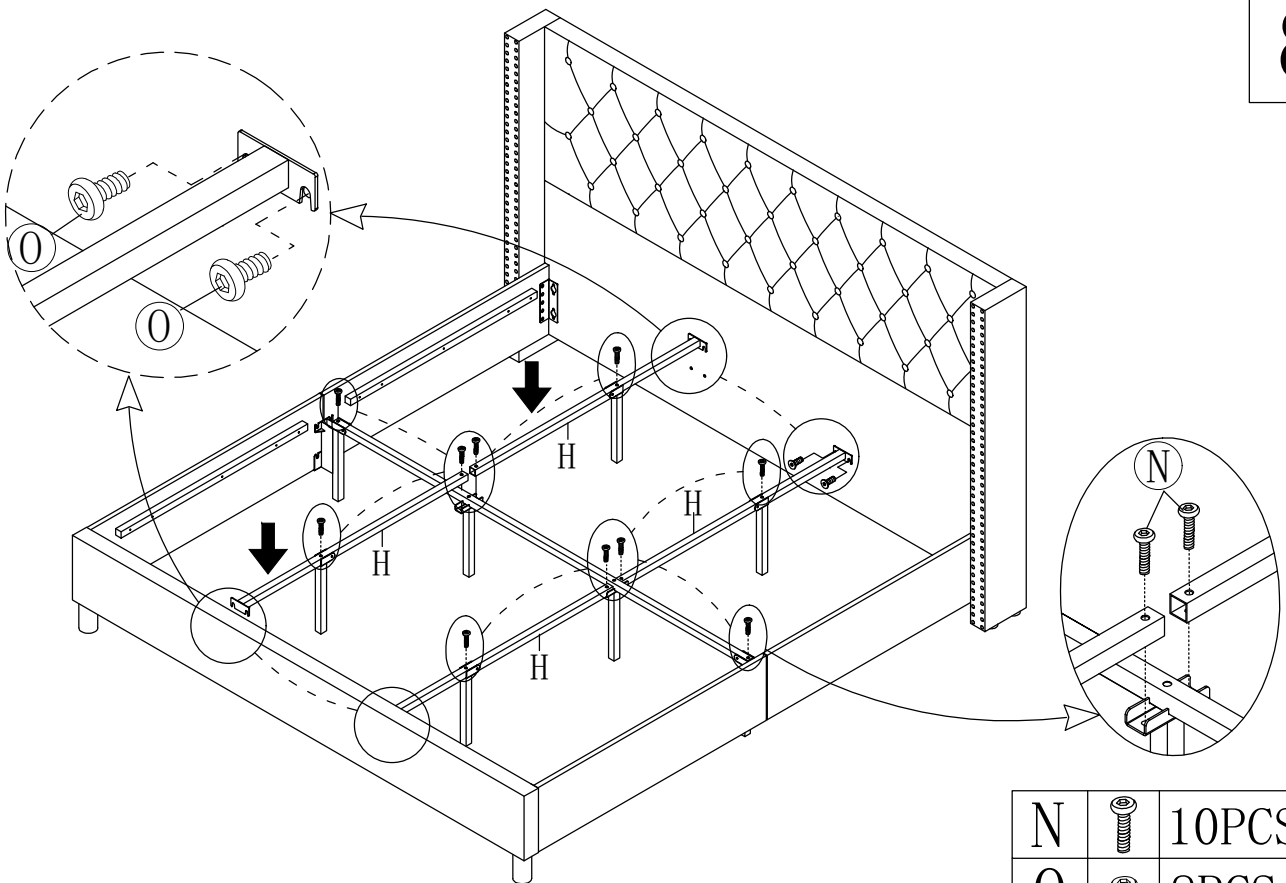
7





M		2PCS
---	---	------

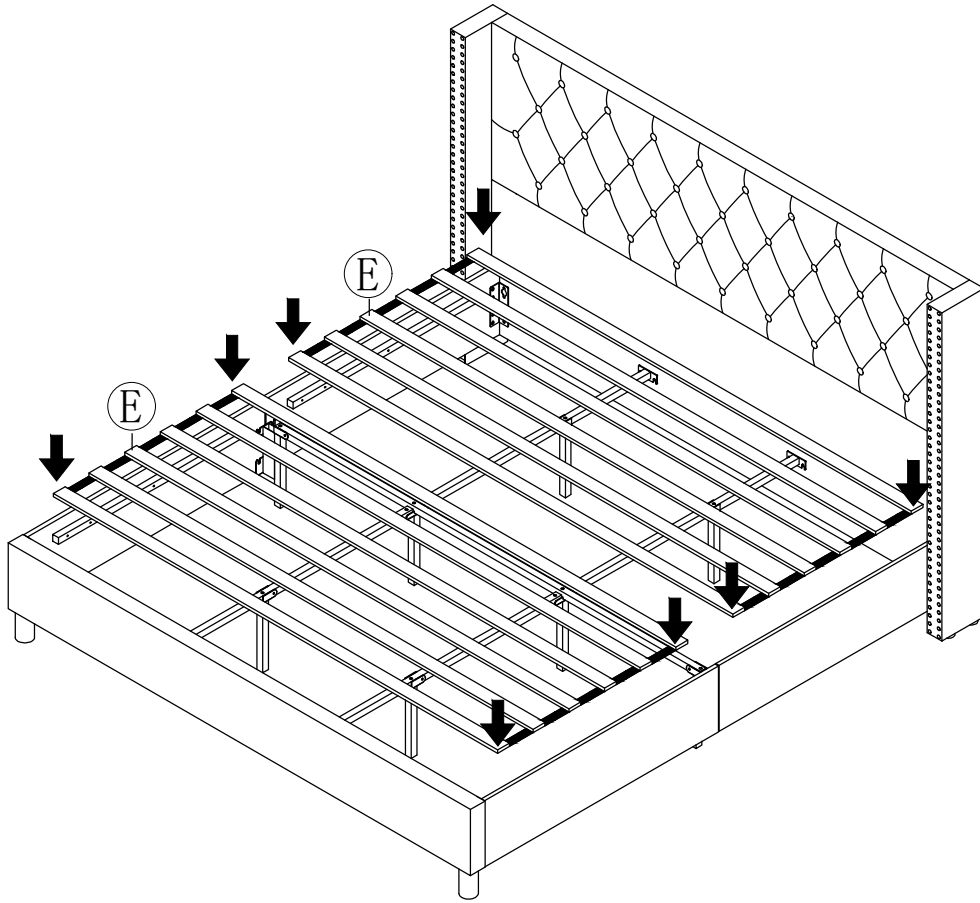
Lock all the screws.

8

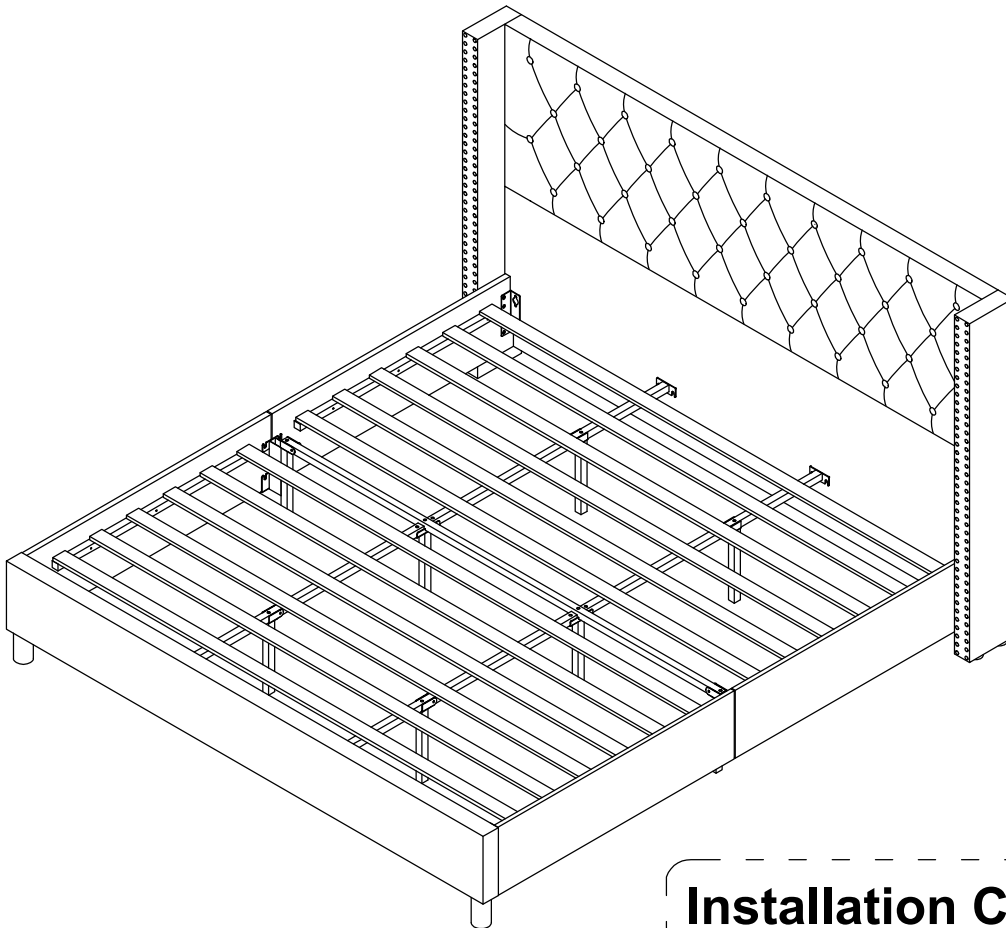


N		10PCS
O		8PCS

9



10



Installation Complete