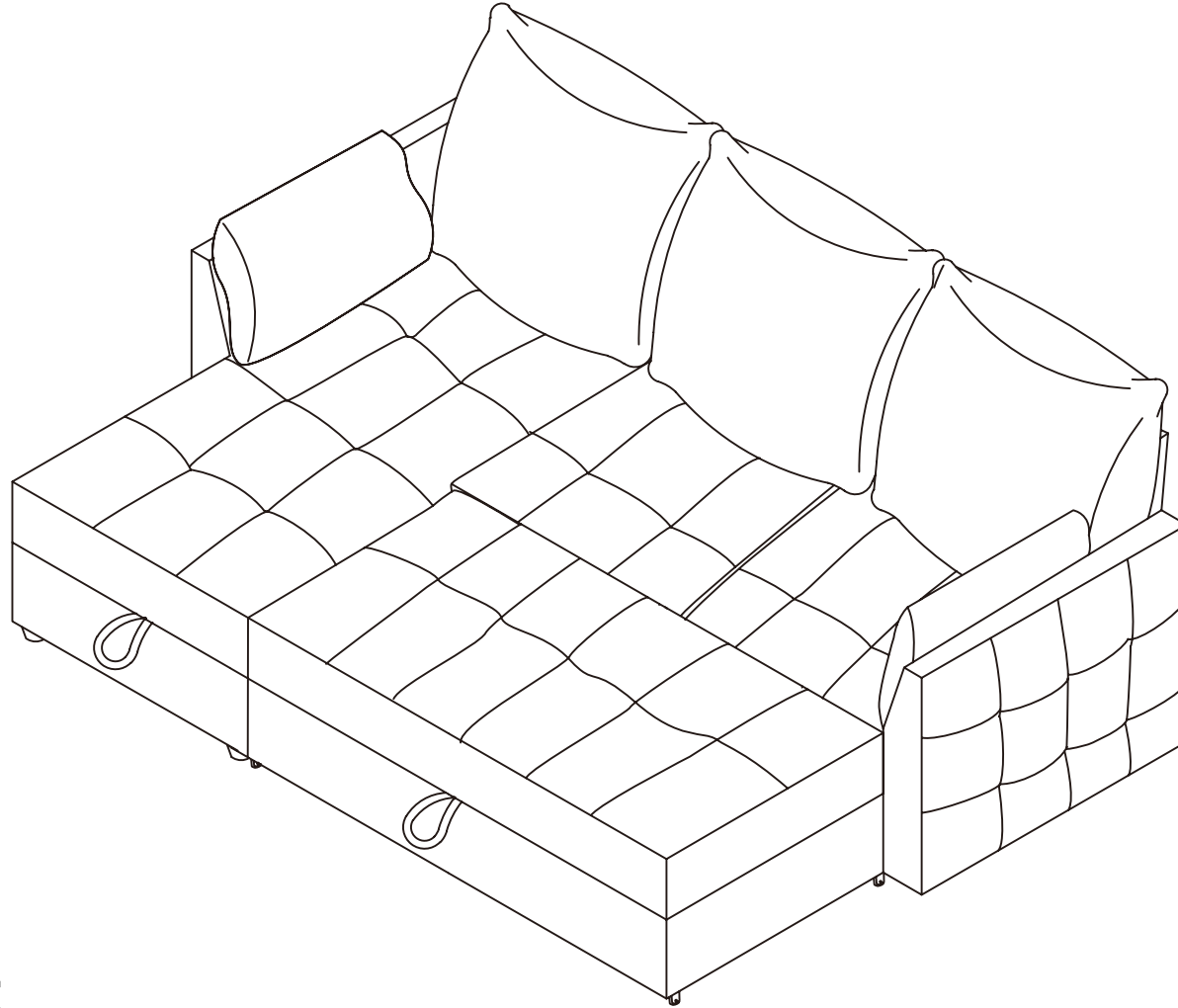


SLEEPER SOFA

Assembly Instruction



NOTE:

Comes with MULTIPLE PACKAGES with MULTIPLE TRACKINGS, may not be delivered at the same time.

Any question please feel free to contact us:
support@merluxyhome.com TEL: 901-347-2181
We will provide further assistance within 24 hours.



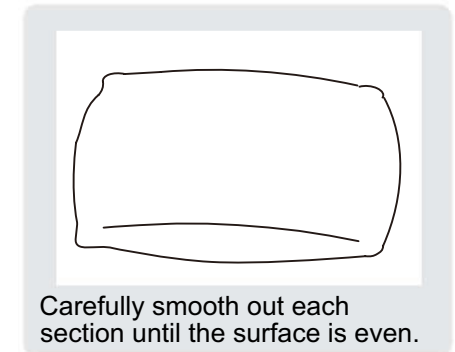
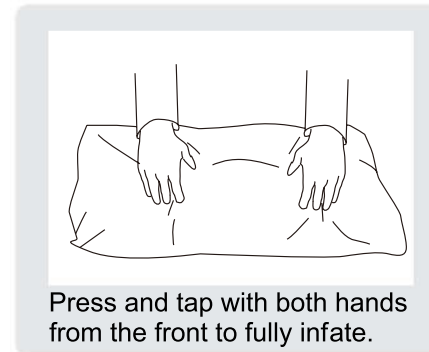
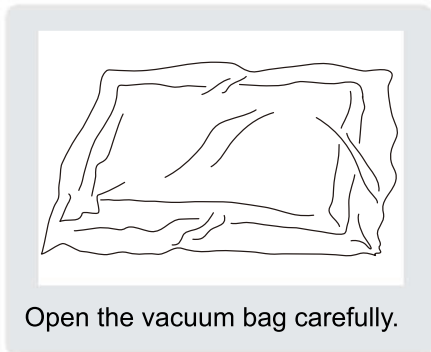
Safety and Care Advice

Important – Please read these instructions fully before starting assembly

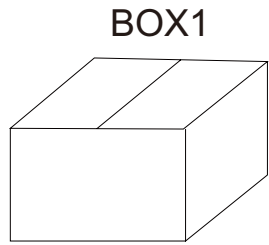
Thanks for your purchase. Before the assembly. Please follow the instruction to check if all the spare parts and screws are intact.

- Considering the size and weight of the sofa, we recommend two adults to assemble the sofa, on a carpeted or padded area, in the room that it is intended for. Approximate assembly time: 30 minutes.
- Keep all components and packaging out of reach of children or animals to avoid risk of choking or suffocation.
- Please do not throw away any of the packaging or the instruction until you have checked all the components and hardware and the furniture is fully assembled. Please ensure that the packaging is disposed in a safe and environmentally friendly way.
- Please do not take off the cover, and do not wash.

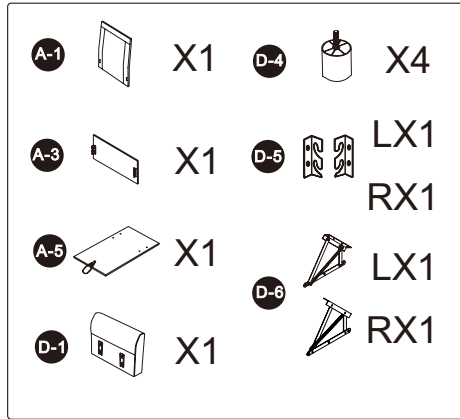
Your cushions come vacuum packed and sealed for shipping. To restore the cushion's original shape. follow the steps below.



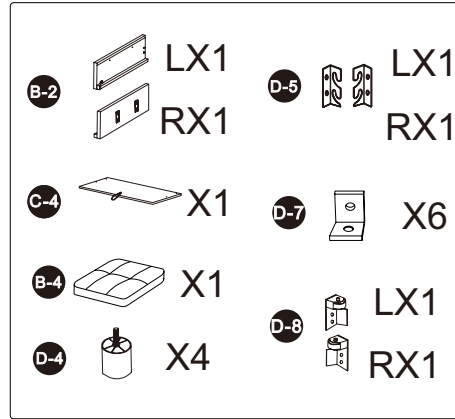
After packing up, place them in somewhere dry and ventilated. After about 72-96 hours. It can be restored to the best use condition.



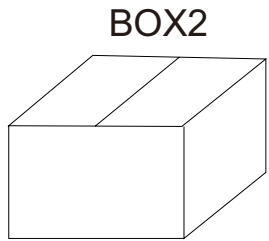
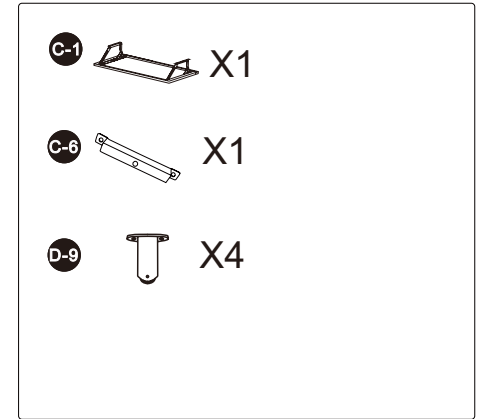
CHAISE



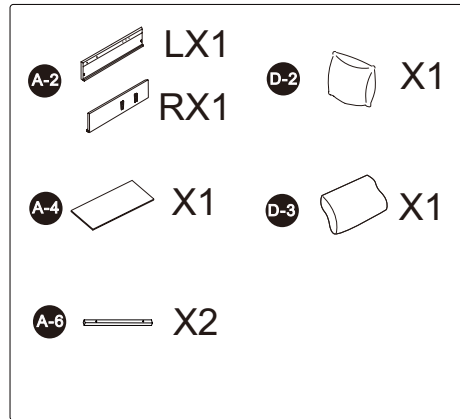
TWO SEATS



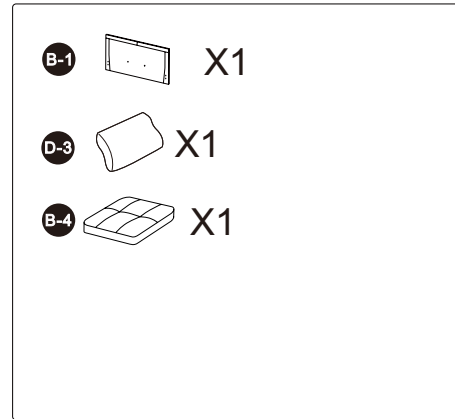
MATTRESS



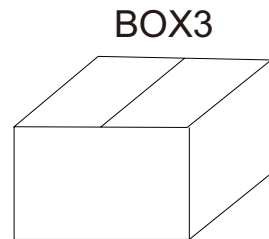
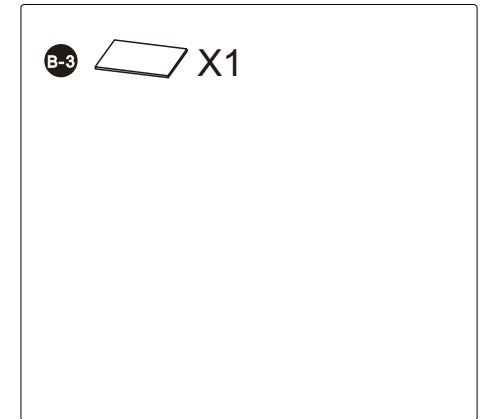
CHAISE



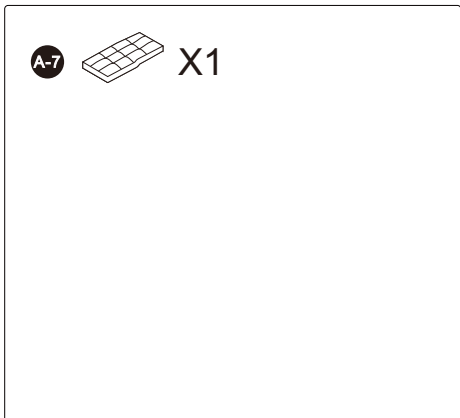
TWO SEATS



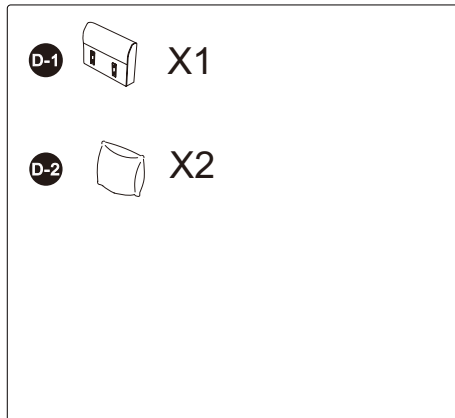
MATTRESS



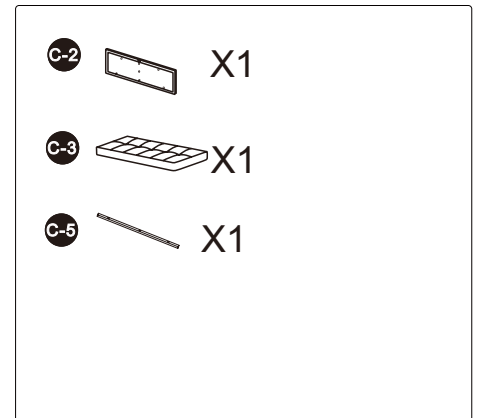
CHAISE



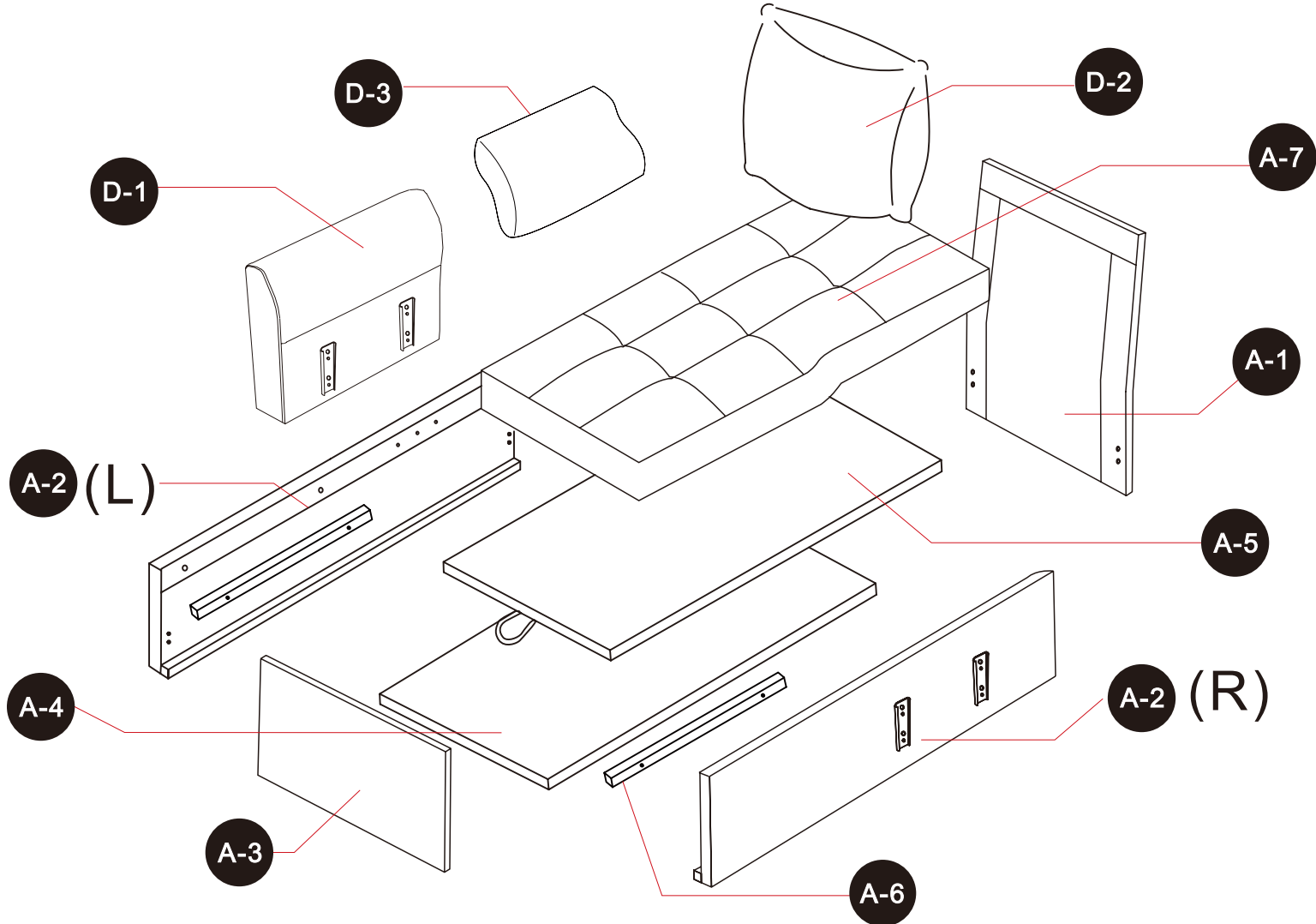
TWO SEATS



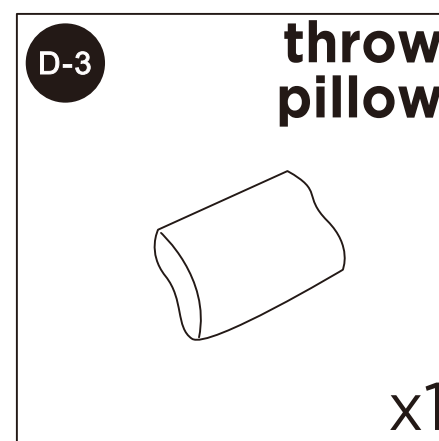
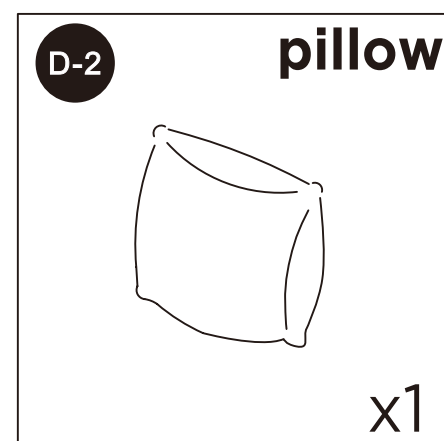
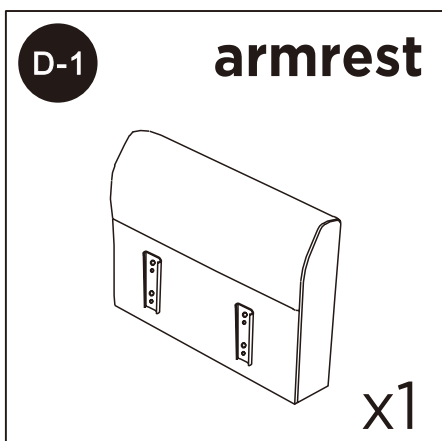
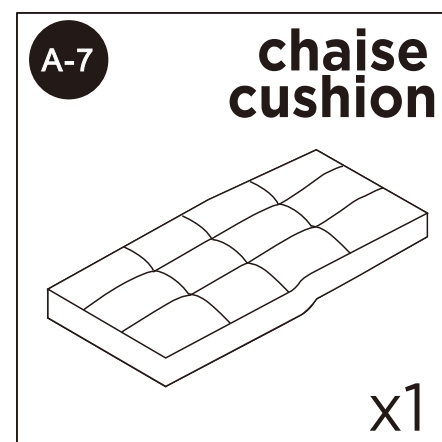
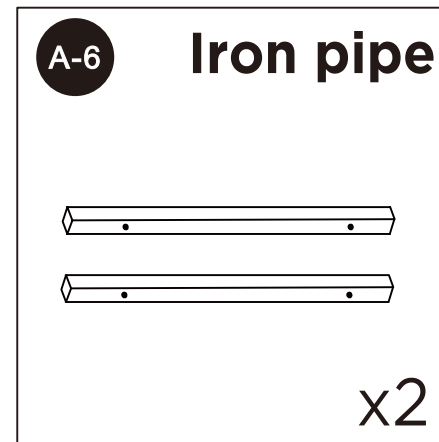
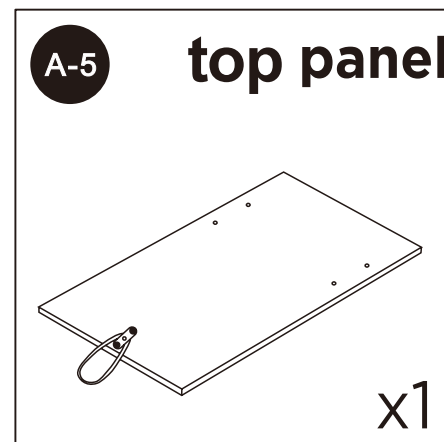
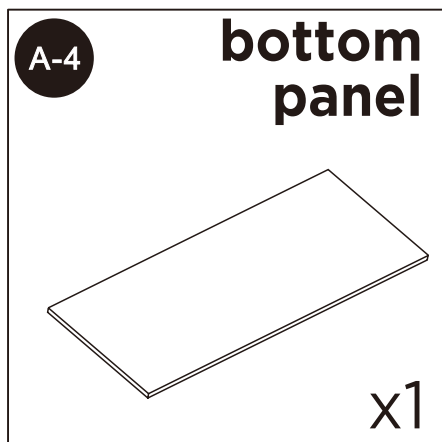
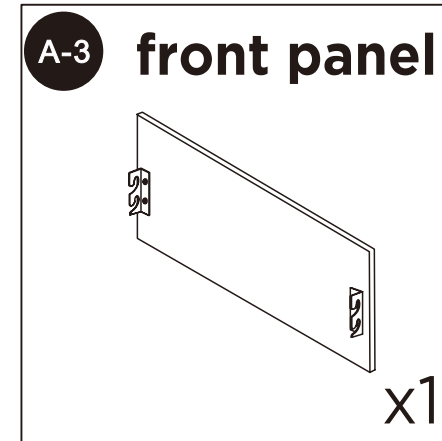
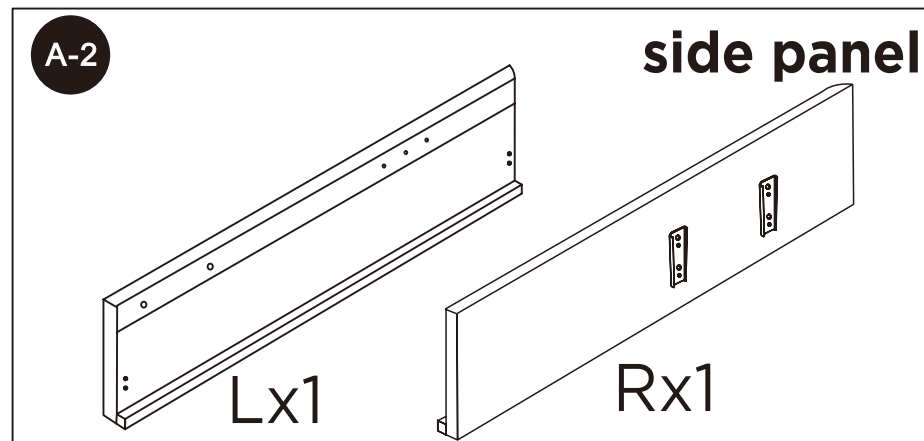
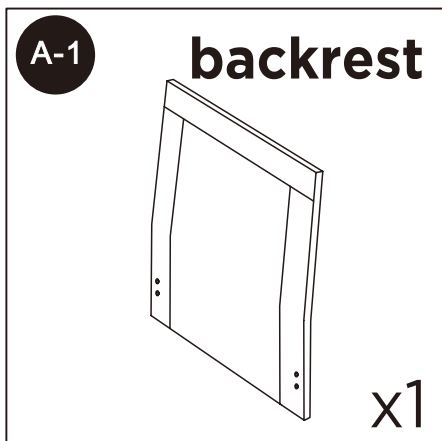
MATTRESS



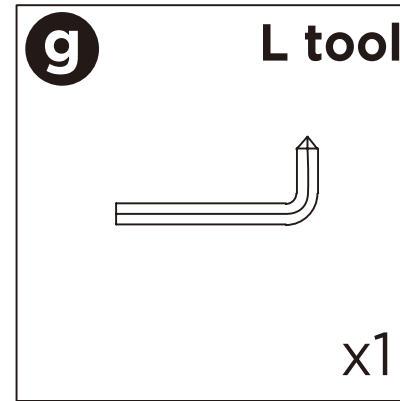
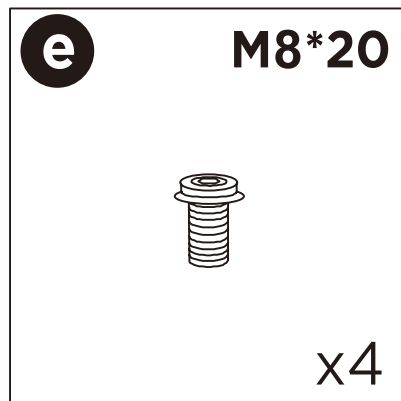
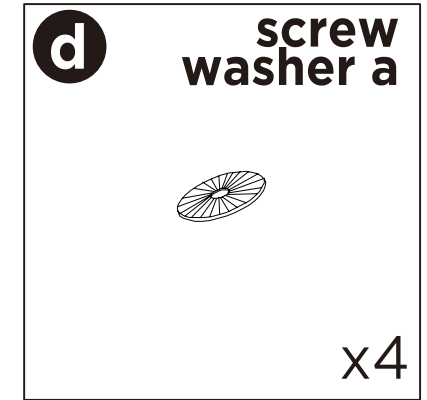
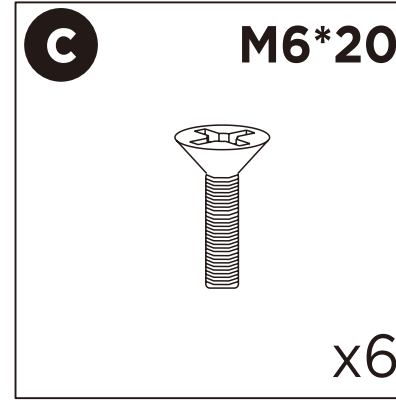
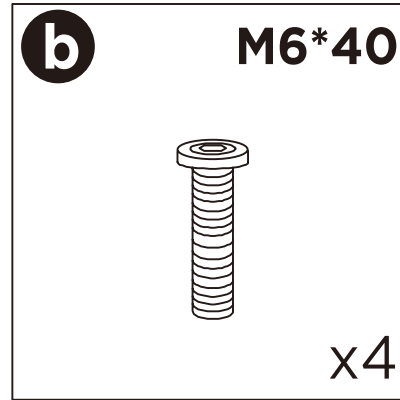
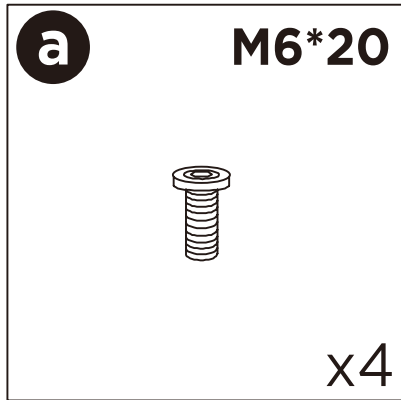
CHAISE



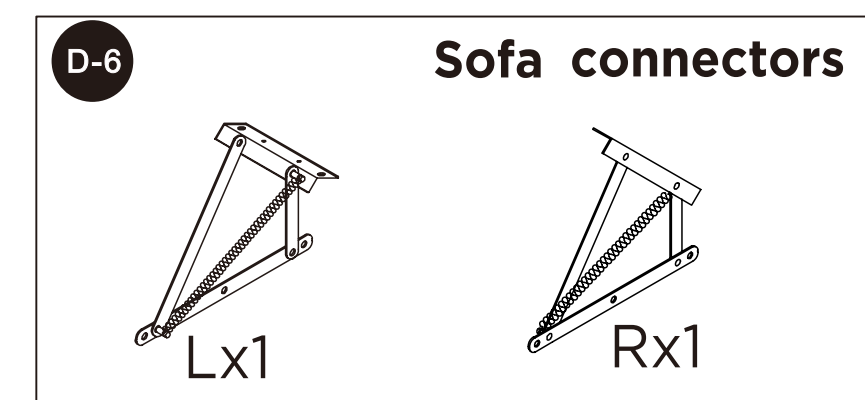
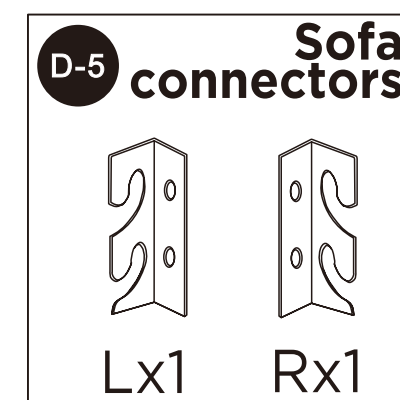
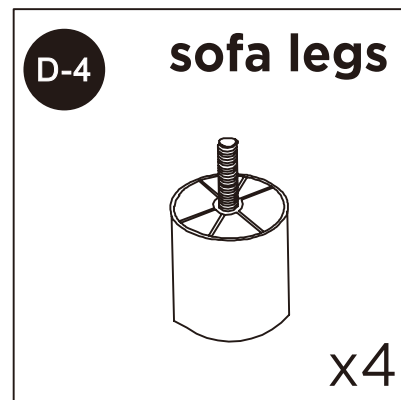
Main structure accessories



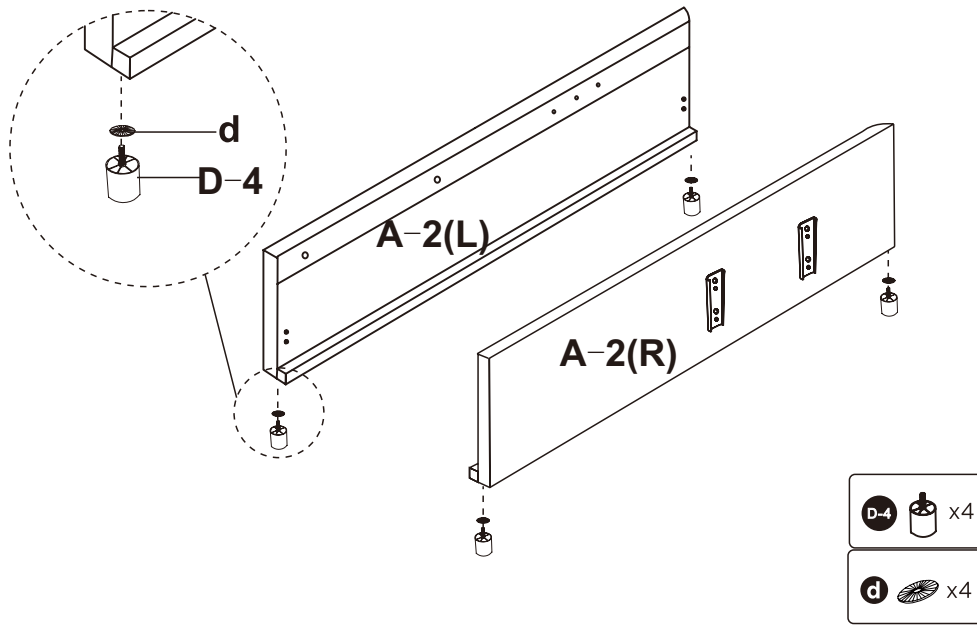
Hardware parts



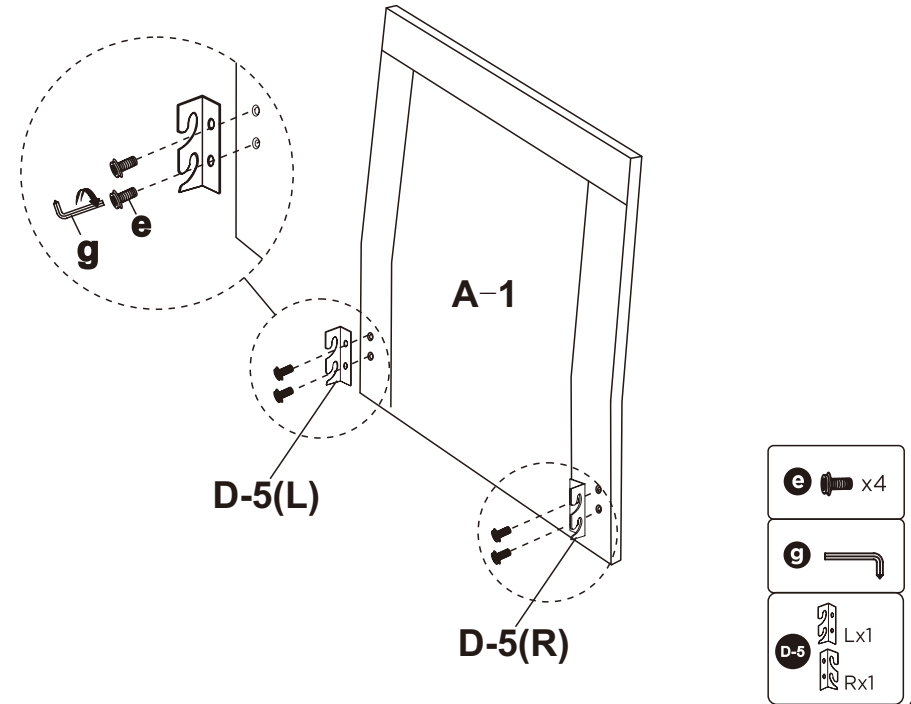
Structural accessories



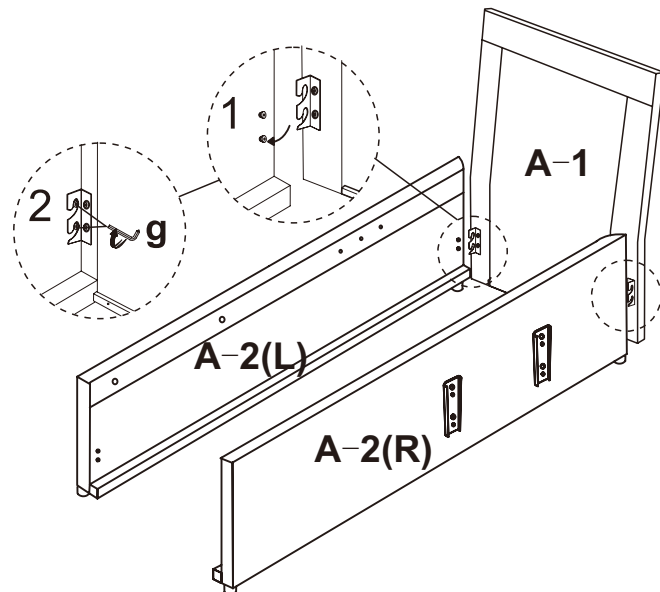
STEP 1



STEP 2



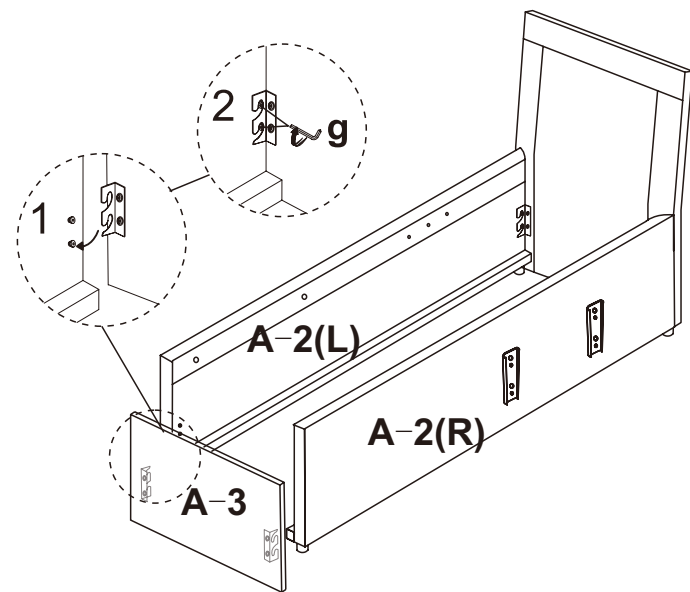
STEP 3



Loosen the screws properly first for better engagement.



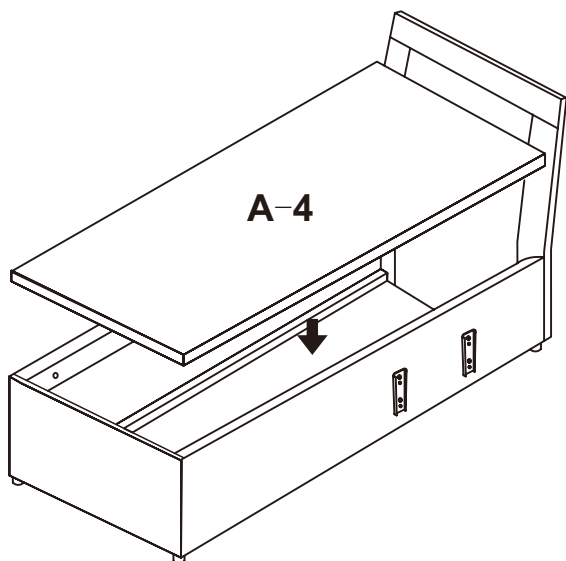
STEP 4



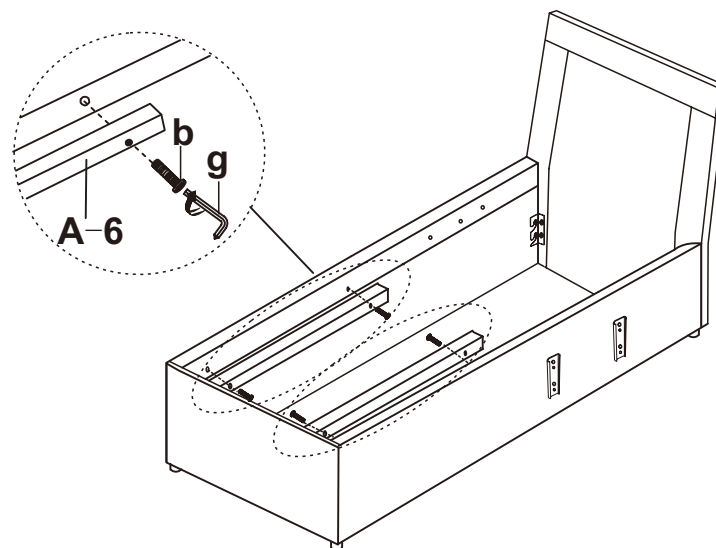
Loosen the screws properly first for better engagement.



STEP 5

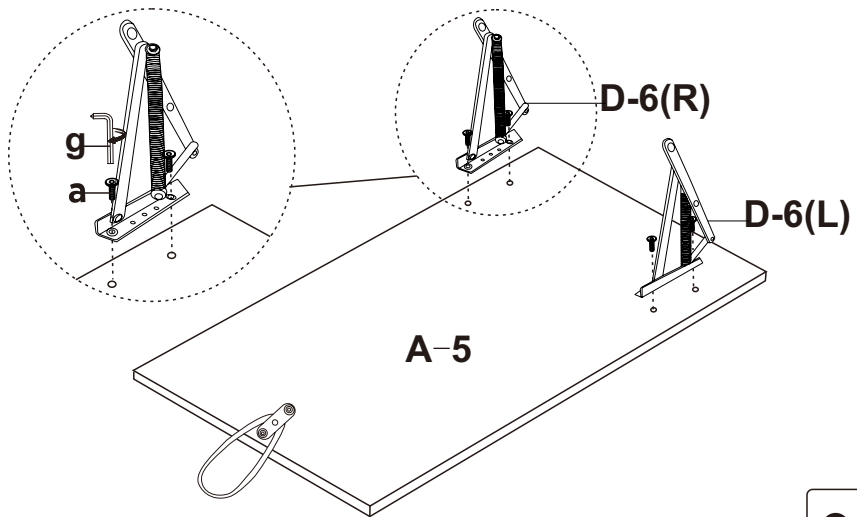


STEP 6



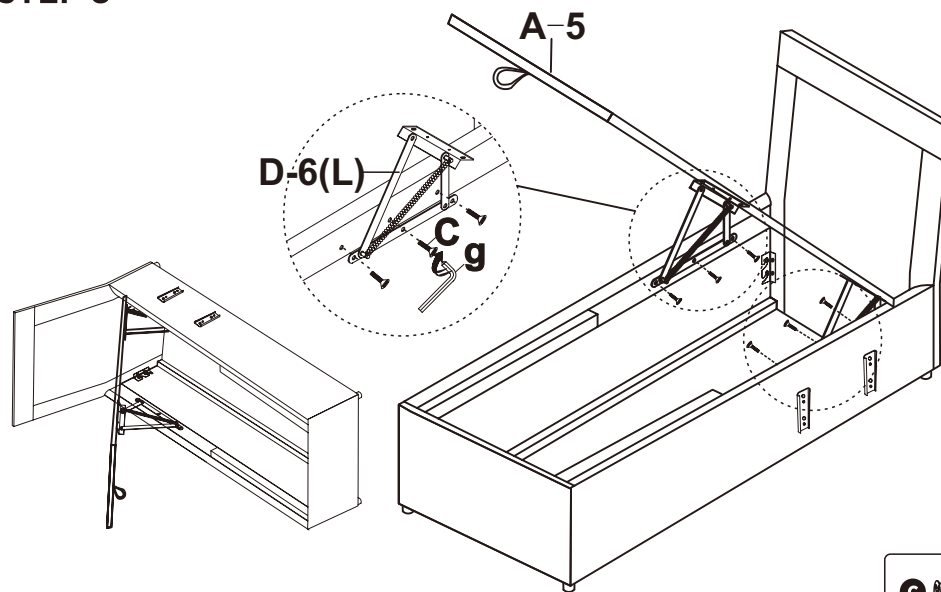
- b** x4
- g**

STEP 7



- a** x4
- g**

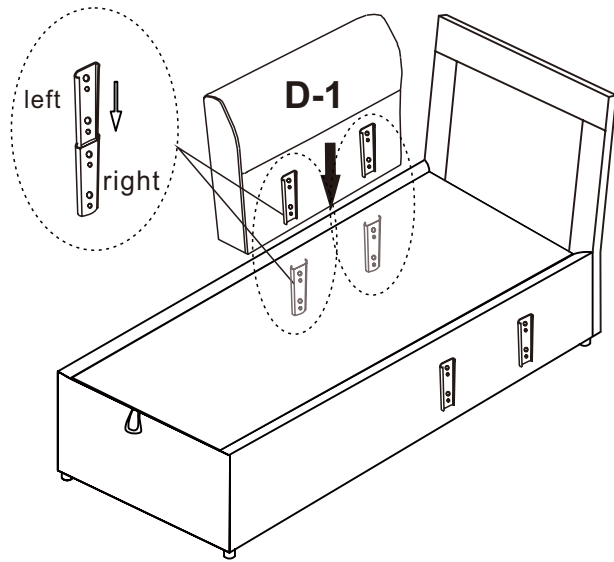
STEP 8



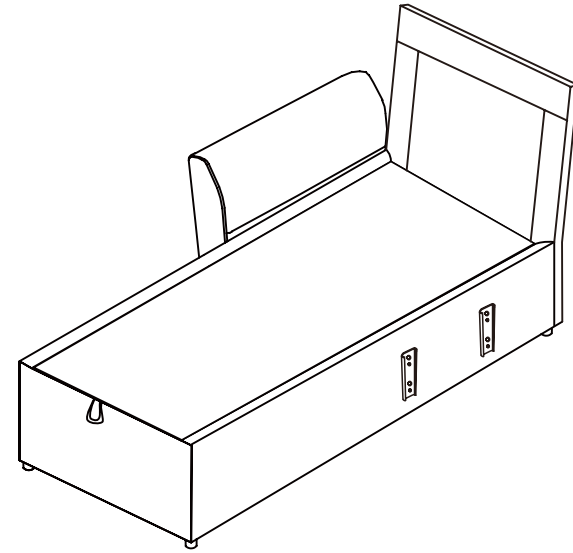
- c** x6
- g**

Installation is easier after tilting.

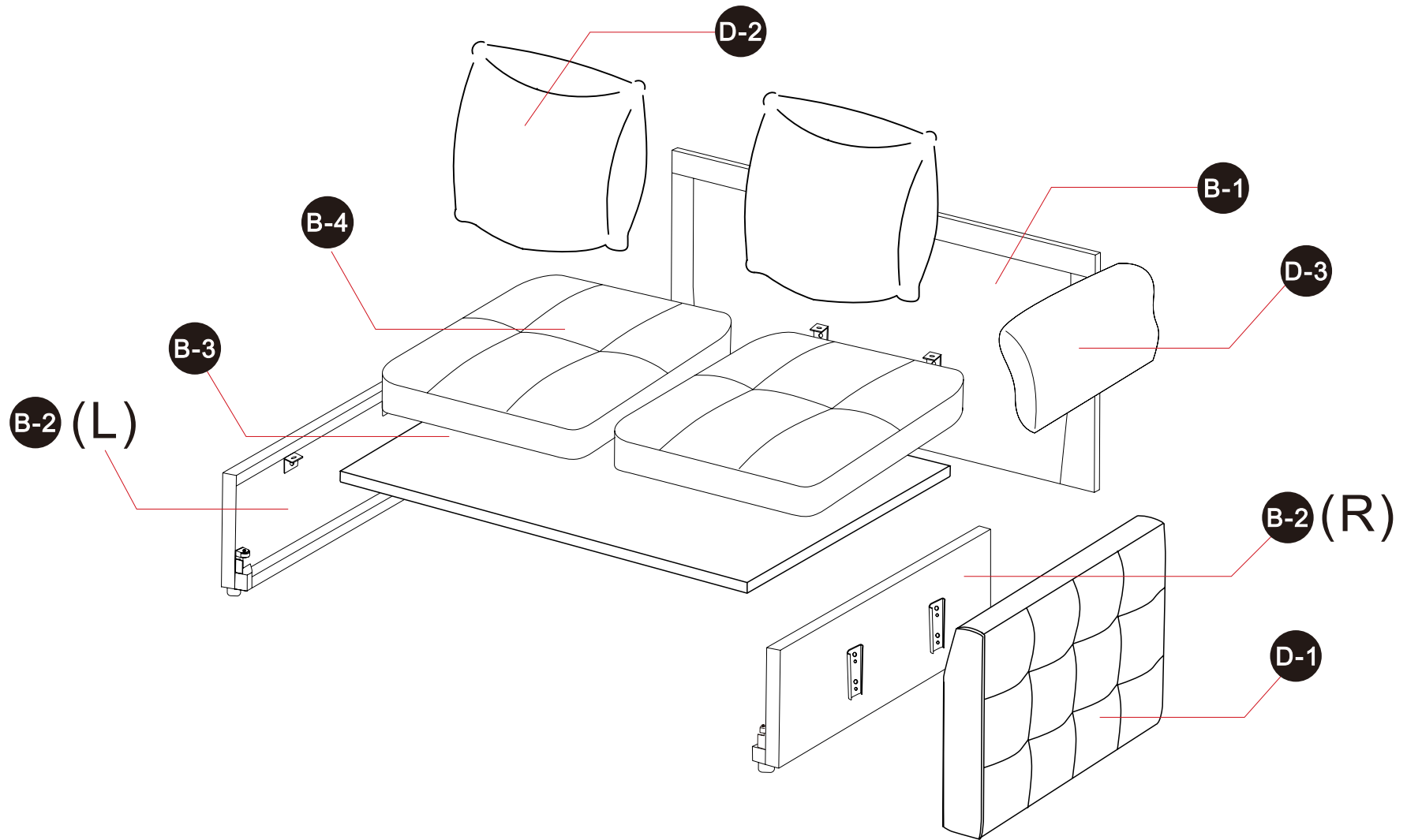
STEP 9



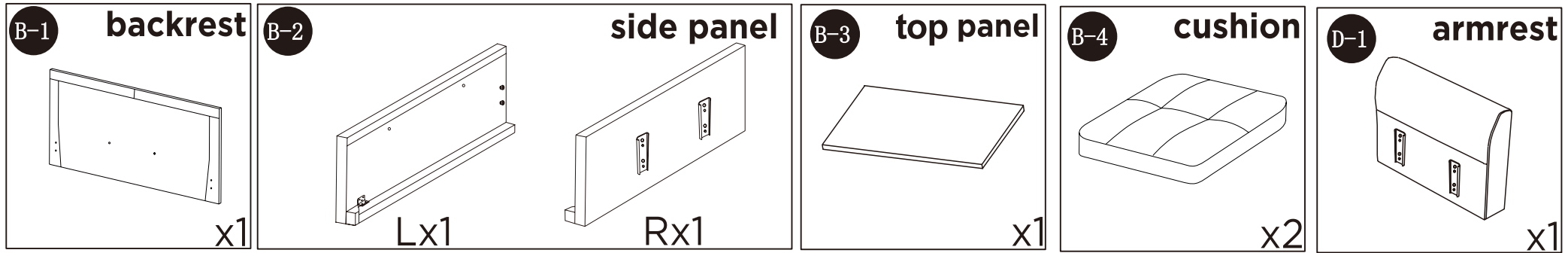
STEP 10



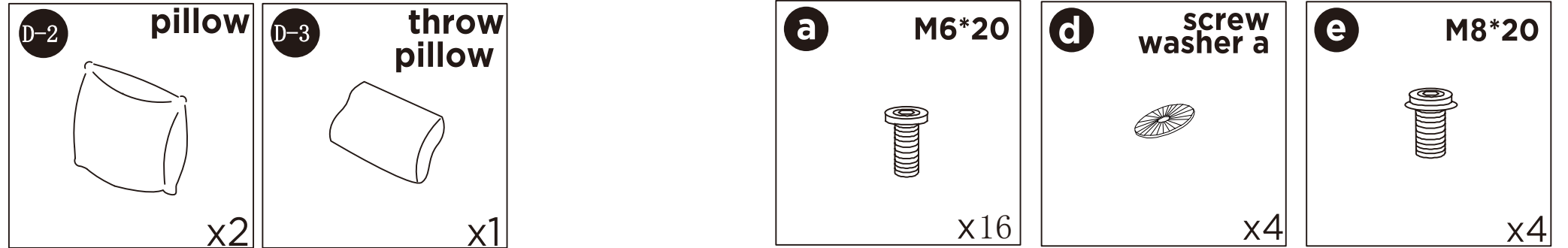
TWO SEATS



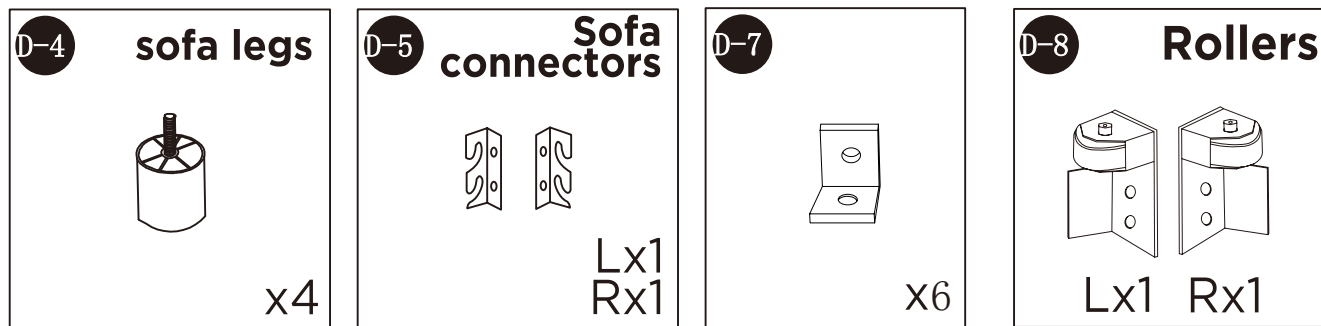
Main structure accessories



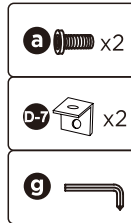
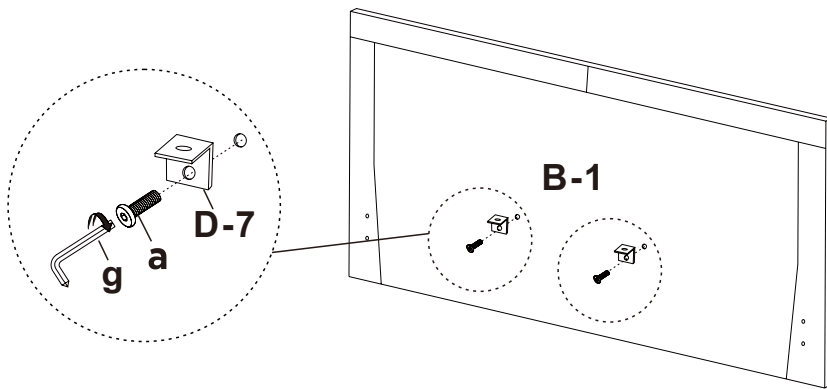
Hardware parts



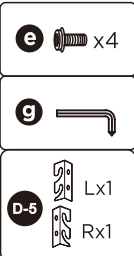
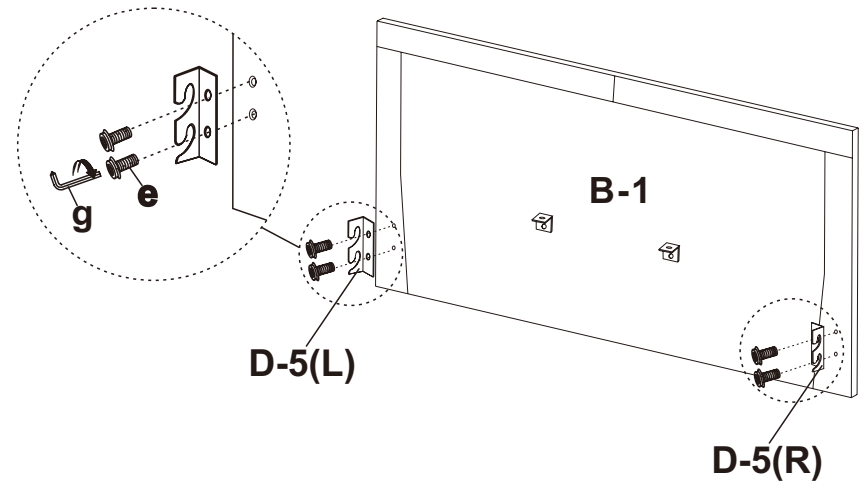
Structural accessories



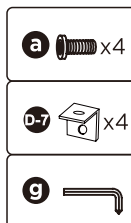
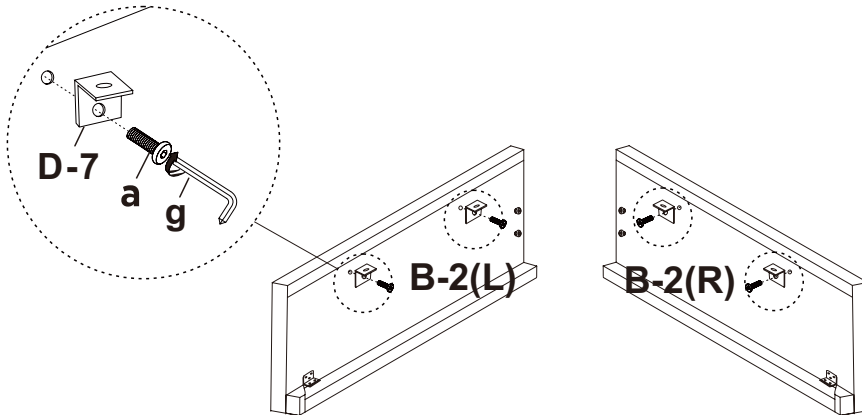
STEP 1



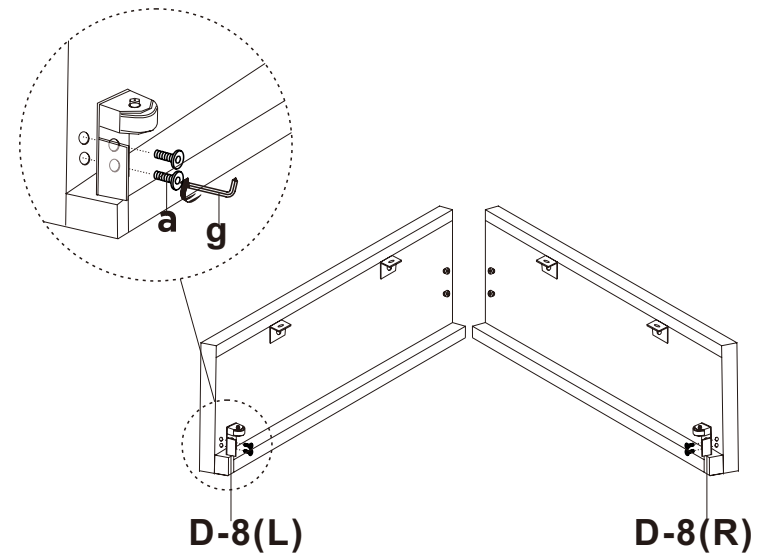
STEP 2



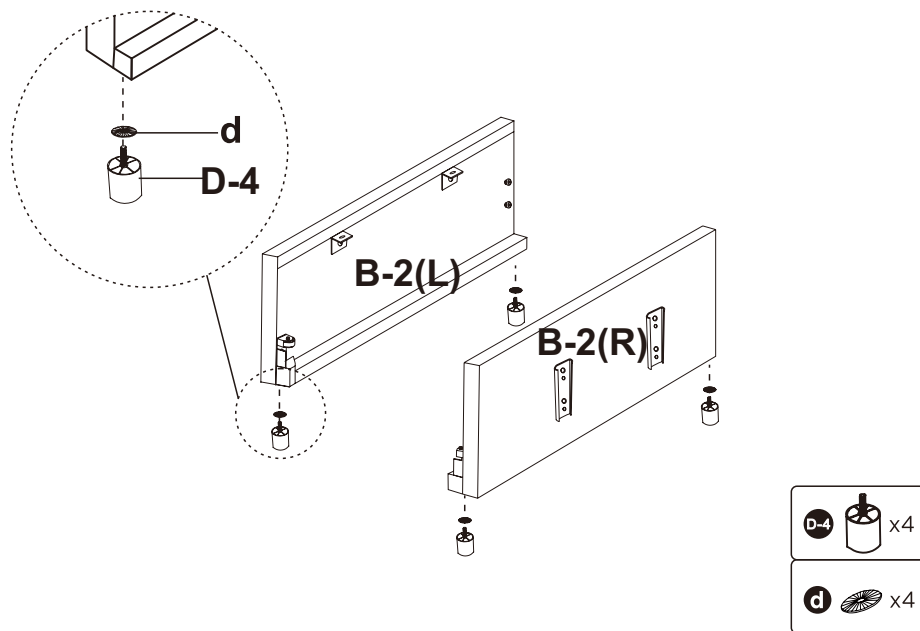
STEP 3



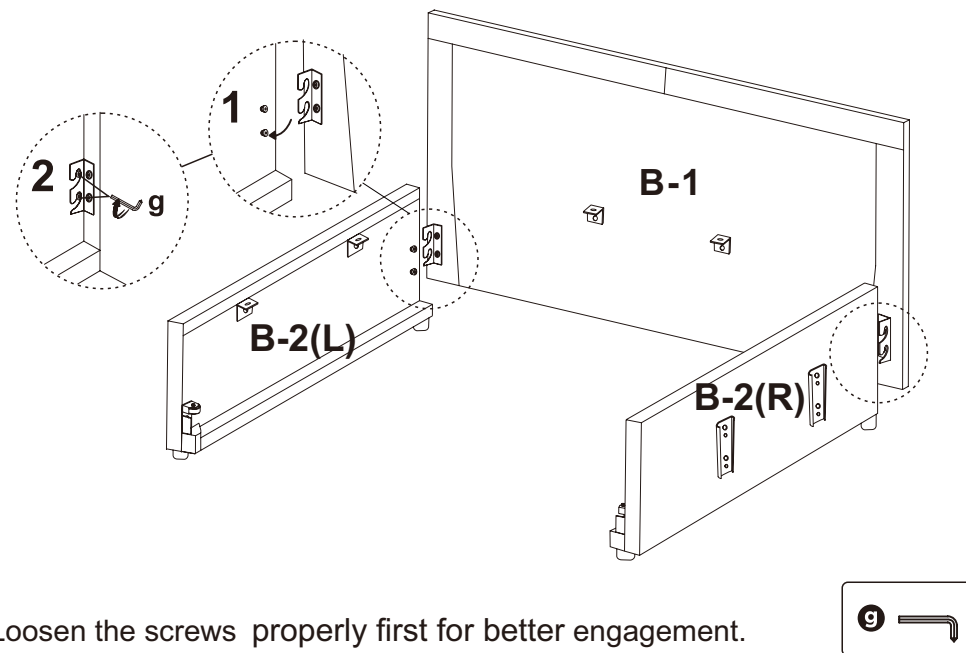
STEP 4



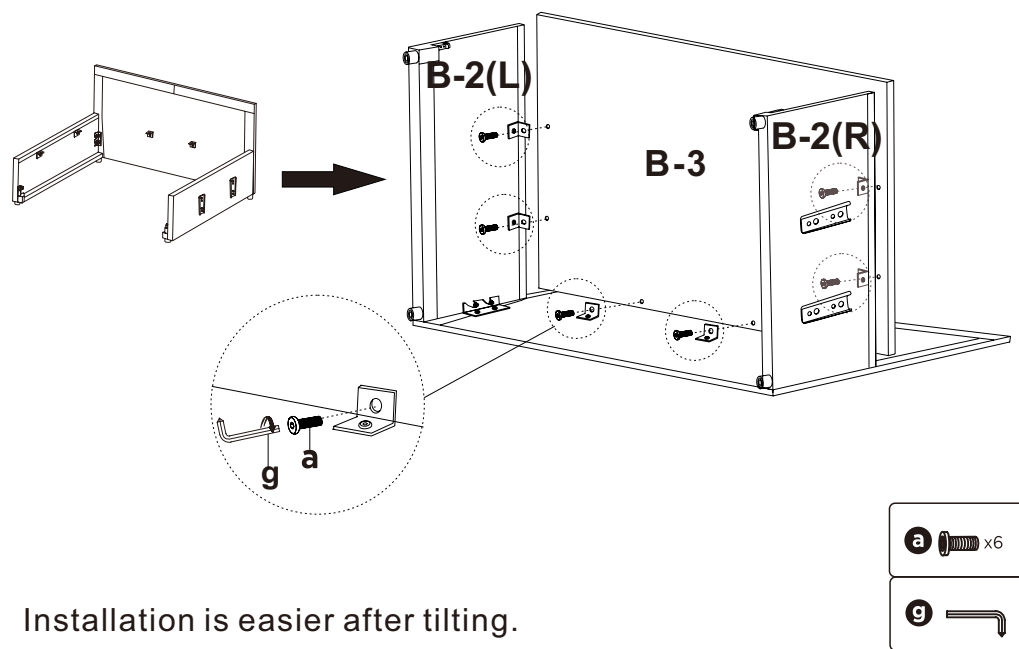
STEP 5



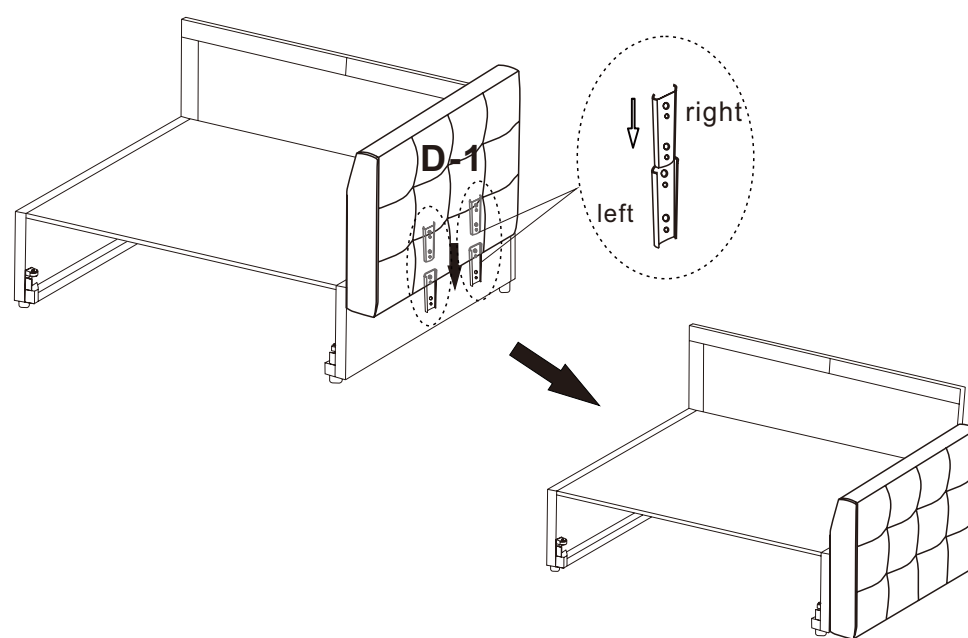
STEP 6



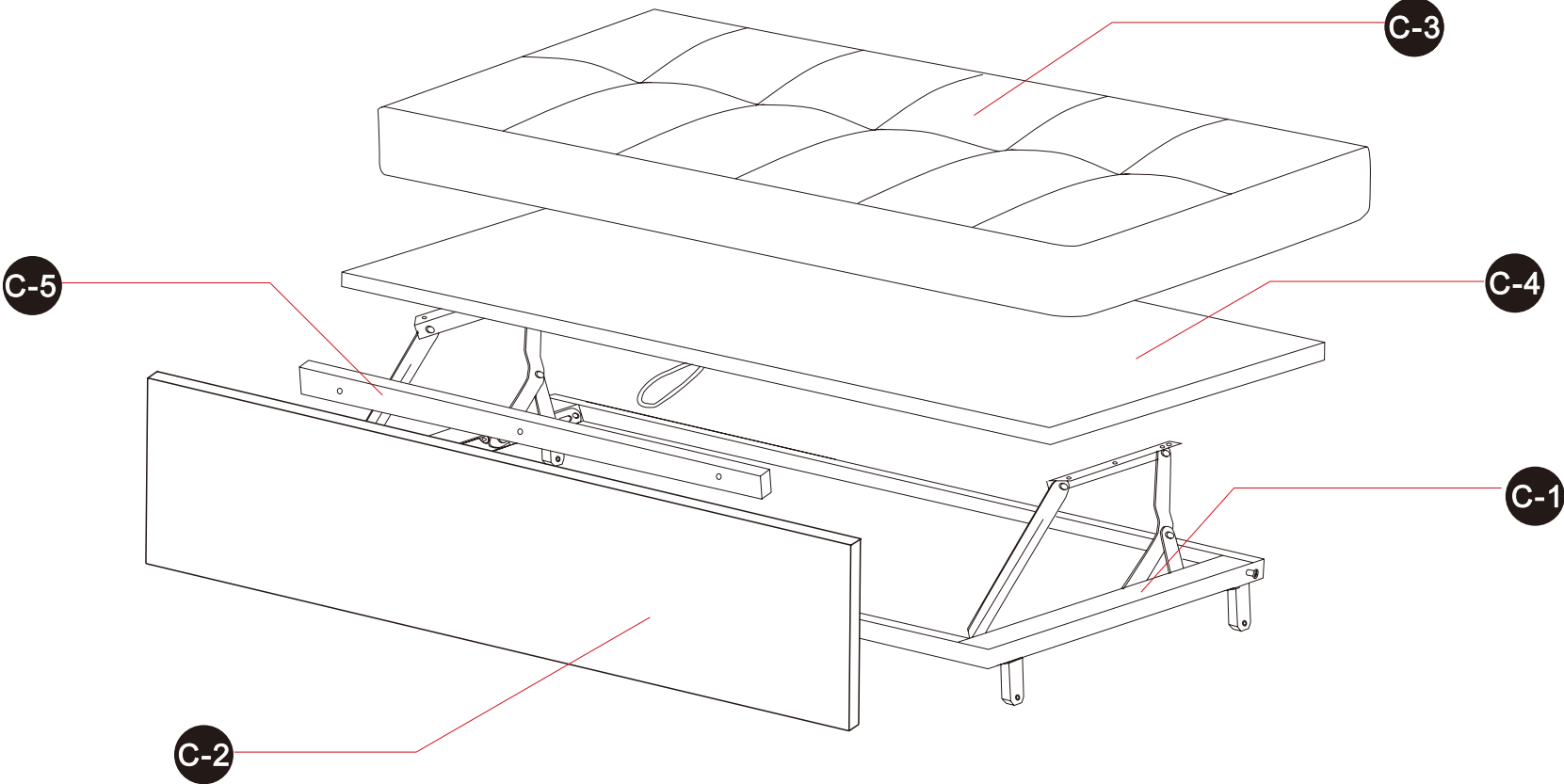
STEP 7



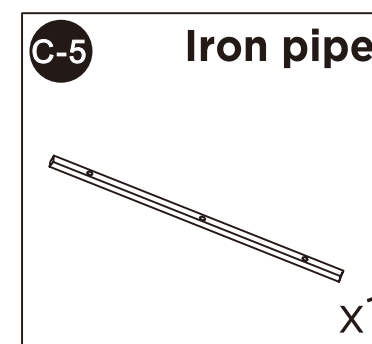
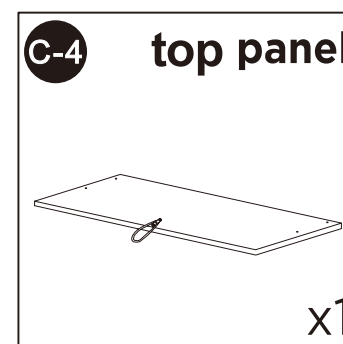
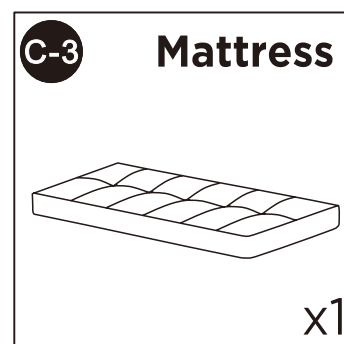
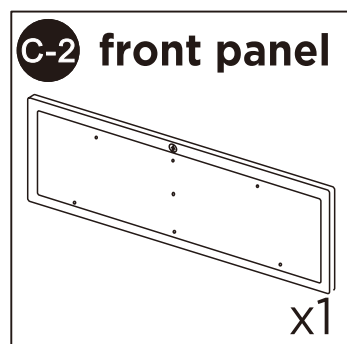
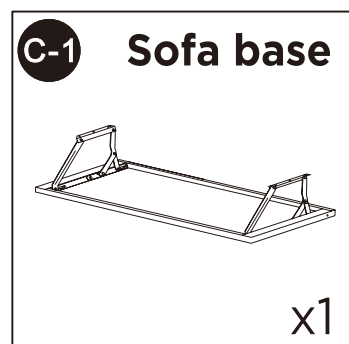
STEP 8



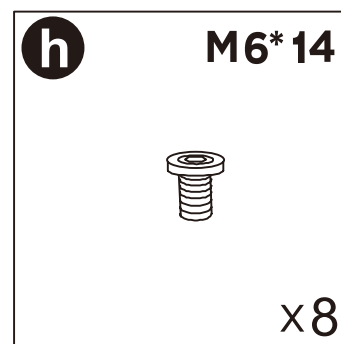
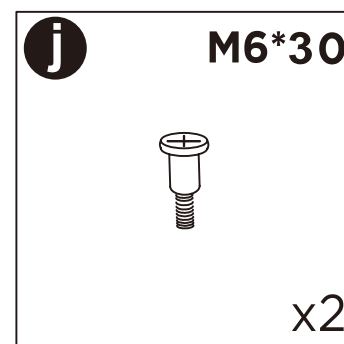
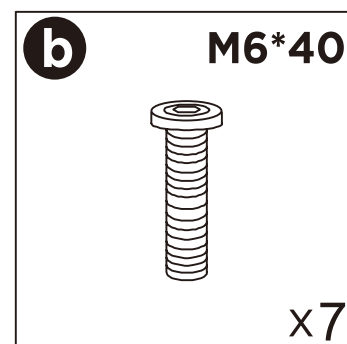
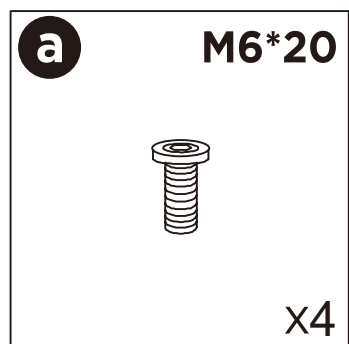
MATTRESS



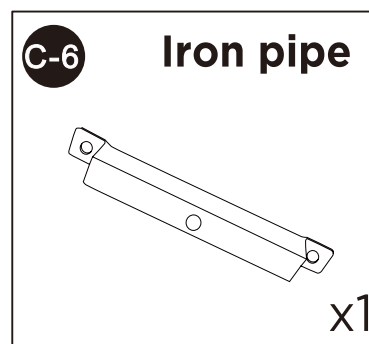
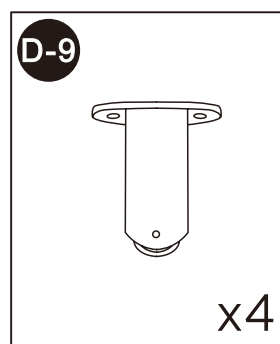
Main structure accessories



Hardware parts

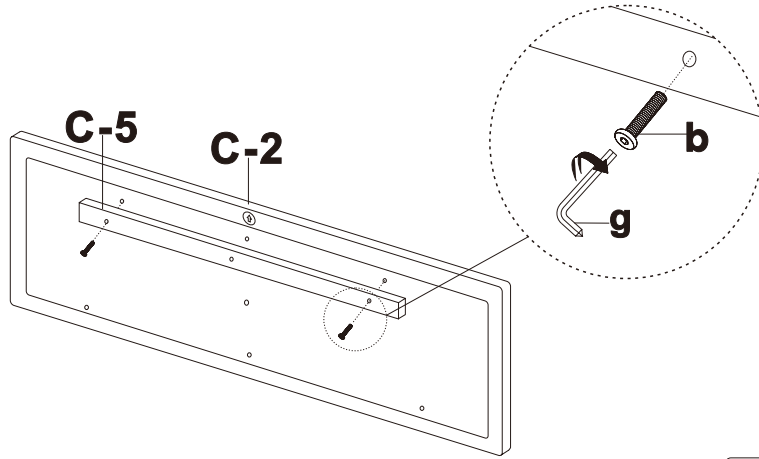




Structural accessories



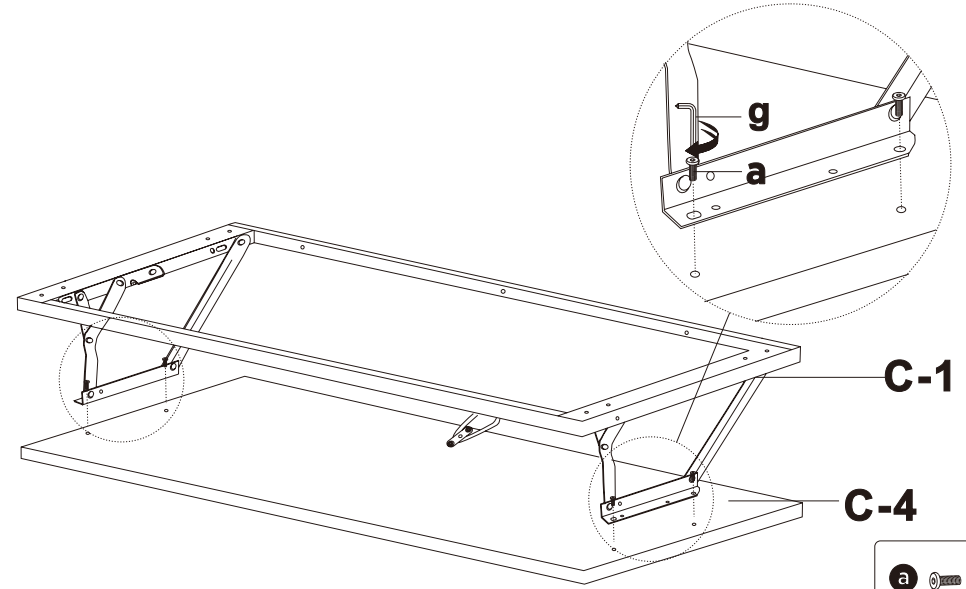
STEP 1



70% pre-screwed



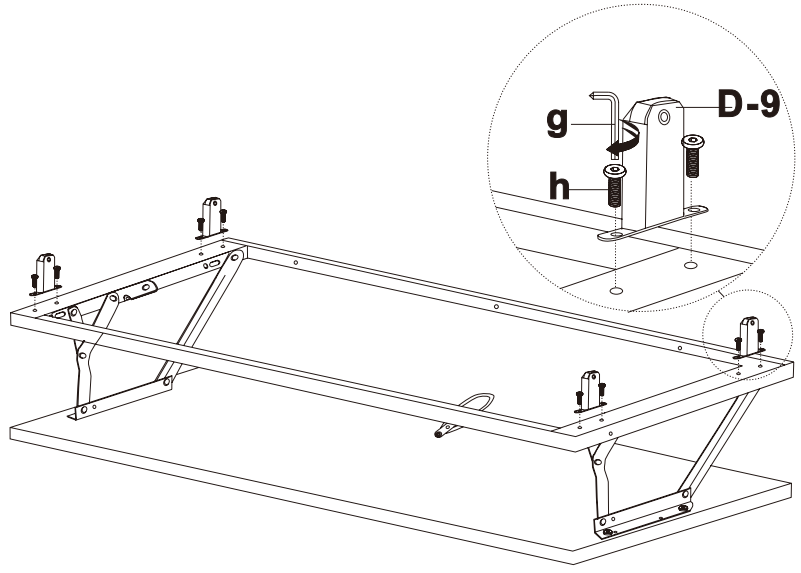
- b**  x2
- g** 




STEP 2



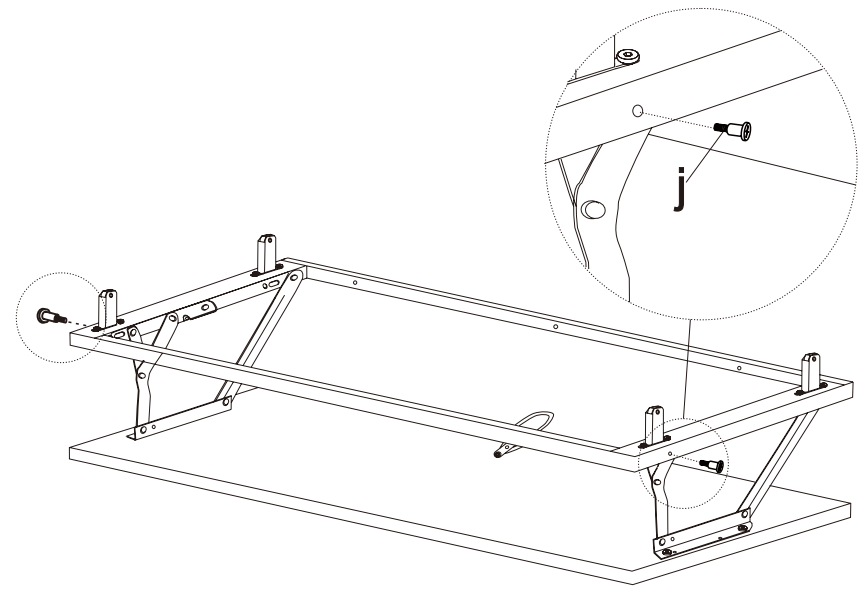
- a**  x4
- g** 


STEP 3



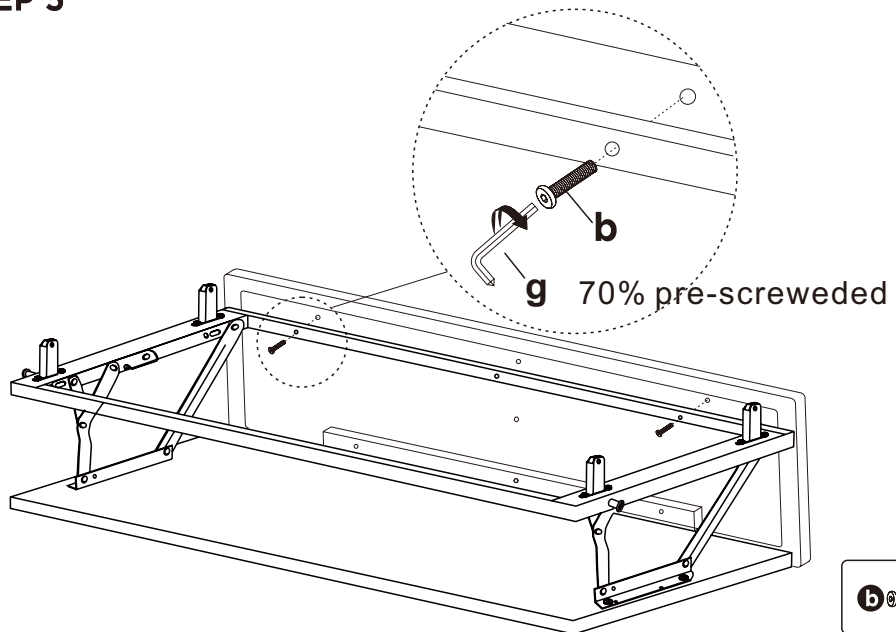
- D-9**  x4
- h**  x8
- g** 

STEP 4



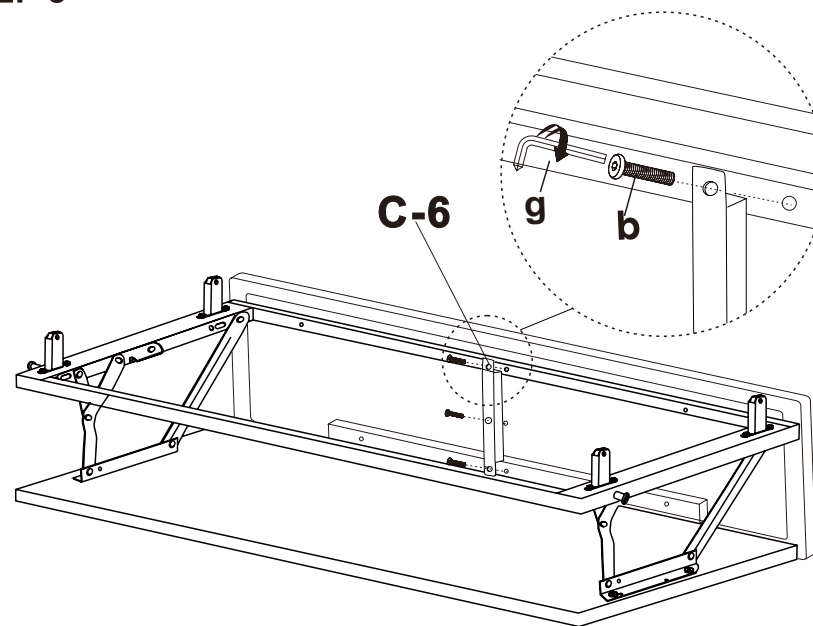
- i**  x2

STEP 5



- x2
-

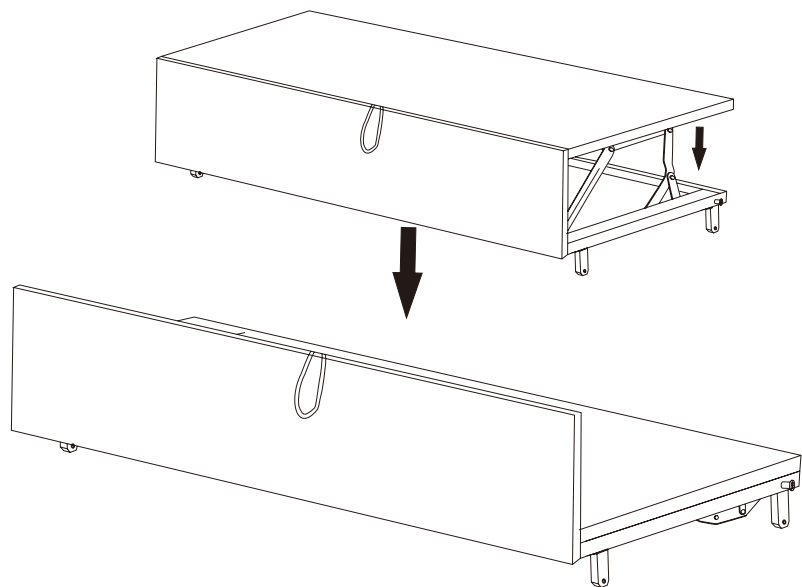
STEP 6



- x3
-

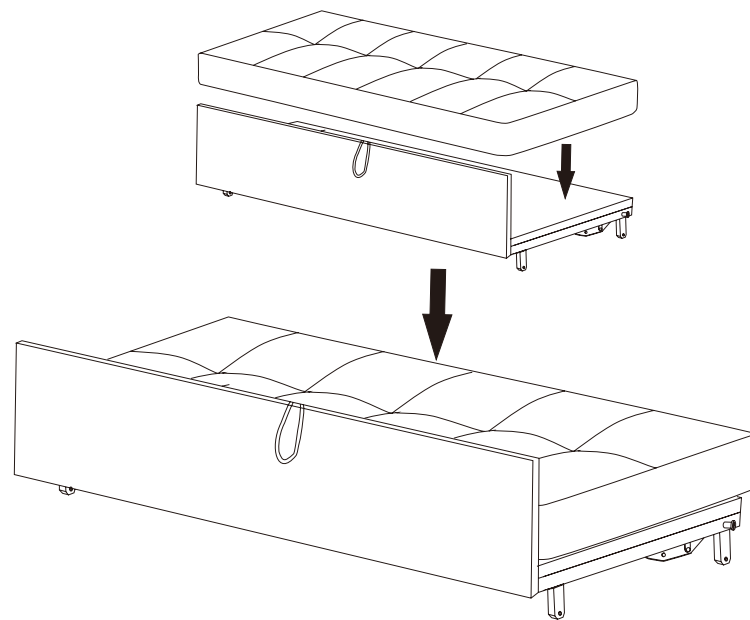
Tighten all loose screws after screw alignment

STEP 7

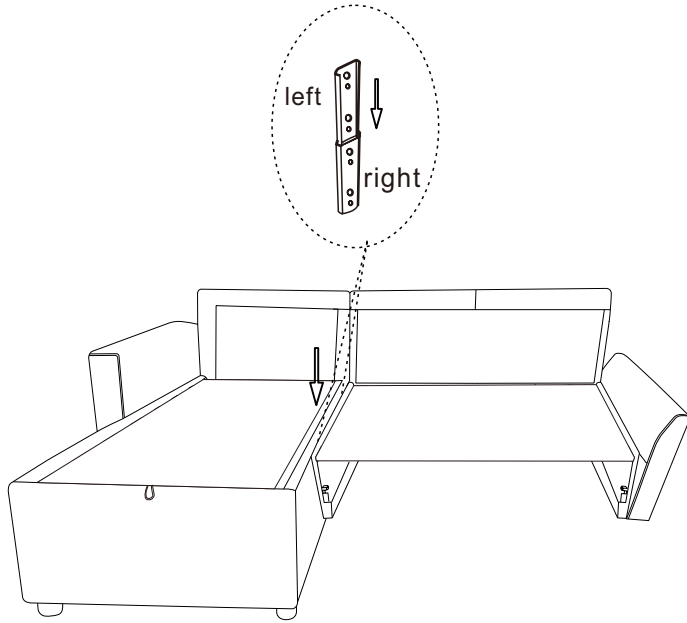


Pull the drawstring to adjust the supporting frame.

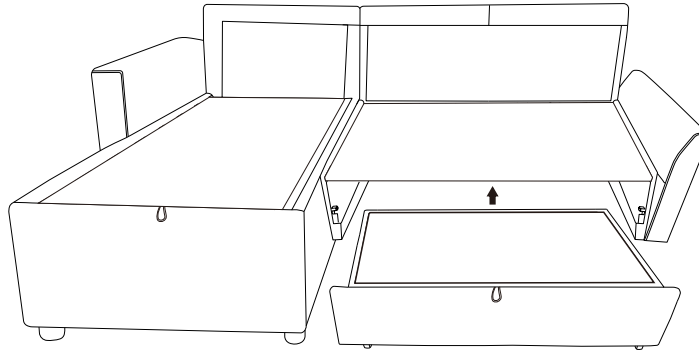
STEP 8



STEP 1

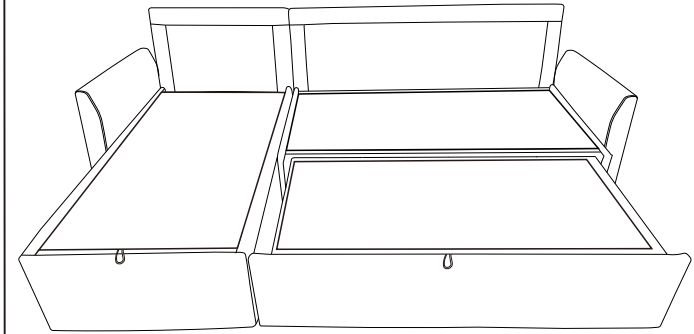


STEP 2

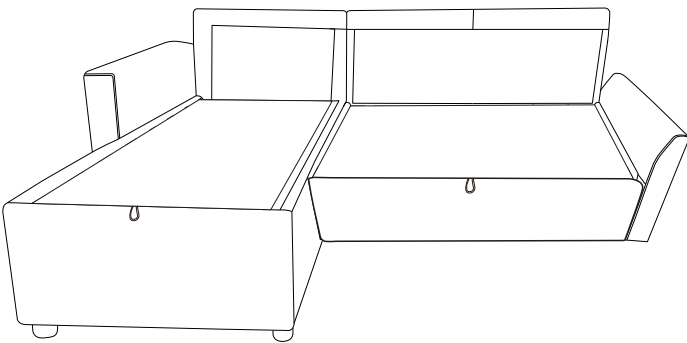


Lift it slightly and place it on the track.

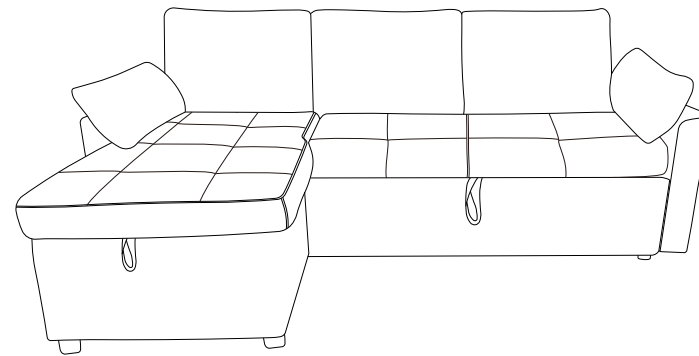
STEP 3



STEP 4



STEP 5



STEP 6

